

DEWALT®

www.DEWALT.com

DW872

English (**original instructions**)

6

Русский (*перевод с оригинала инструкции*)

13

Українська (*переклад з оригінальної інструкції*)

26

Fig. A

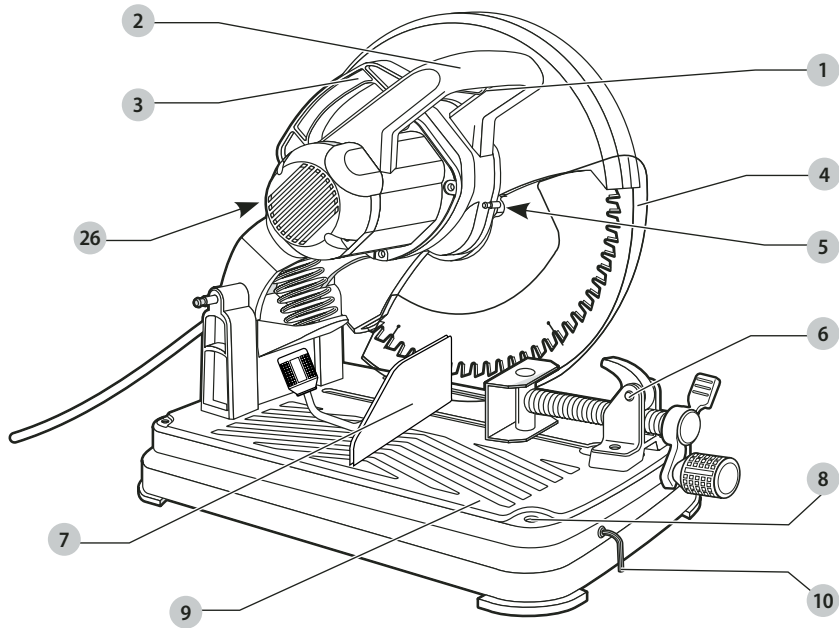


Fig. B1

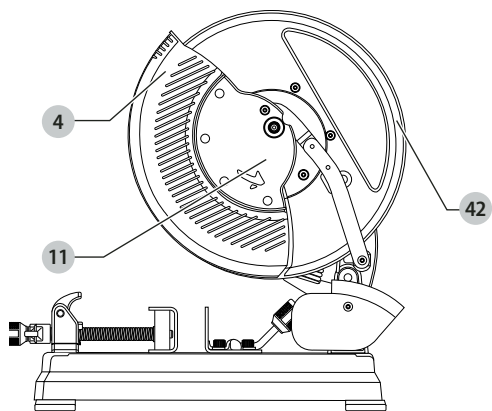


Fig. B2

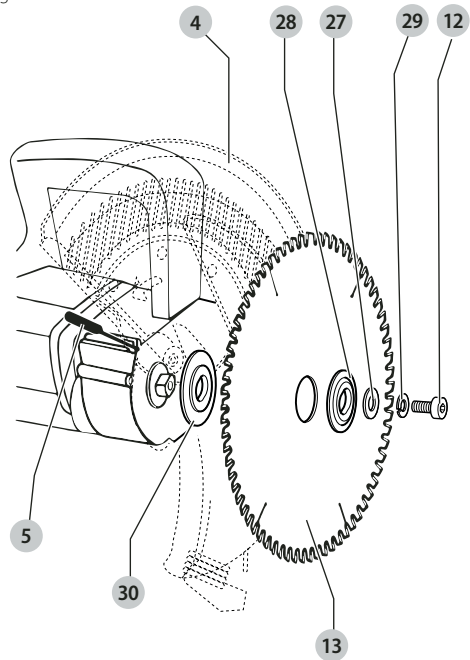


Fig. C1

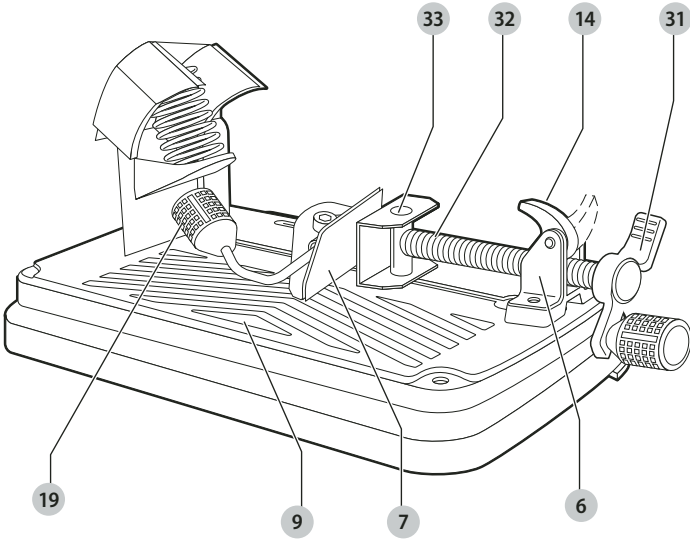


Fig. C2

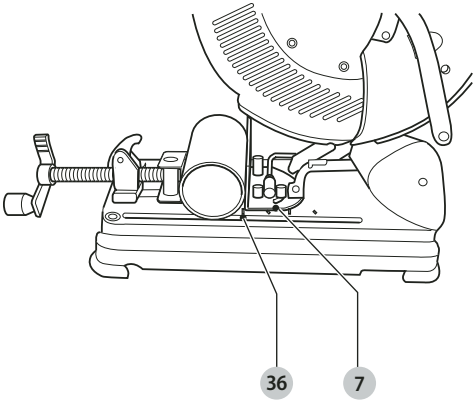


Fig. C3

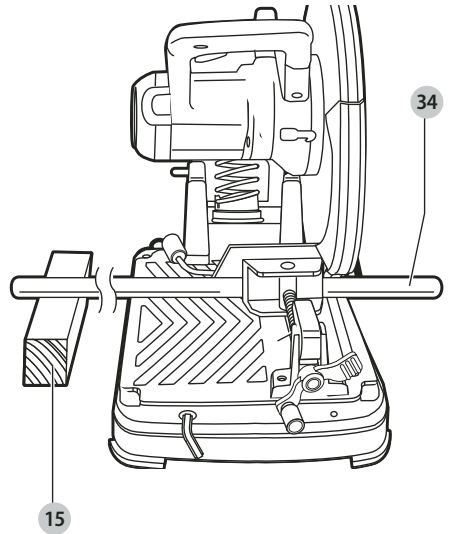


Fig. C4

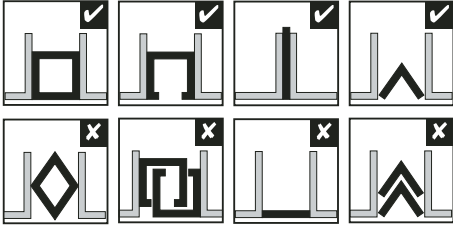


Fig. C5

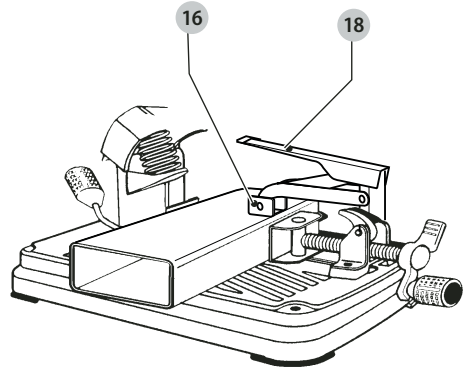


Fig. C6

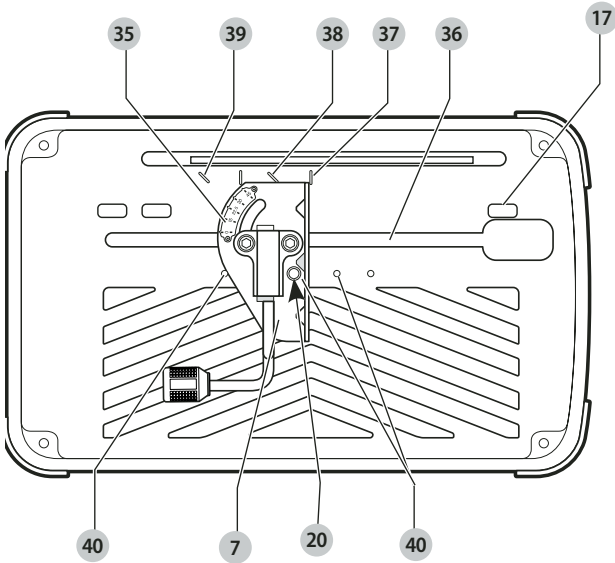


Fig. D1

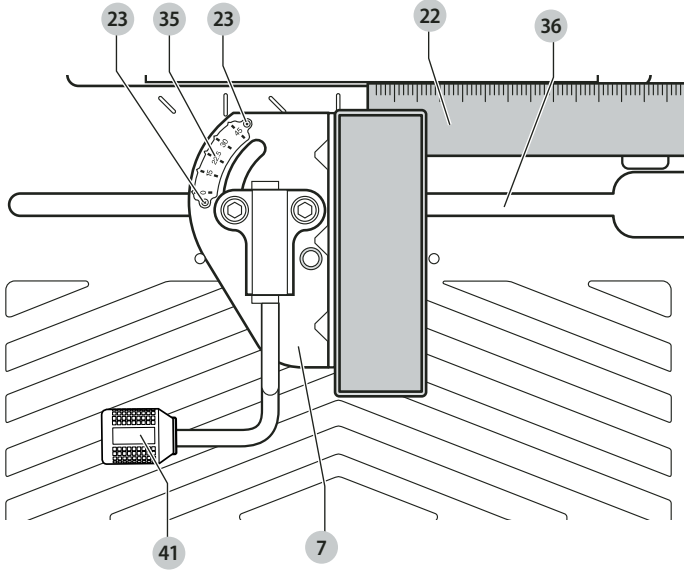


Fig. D2

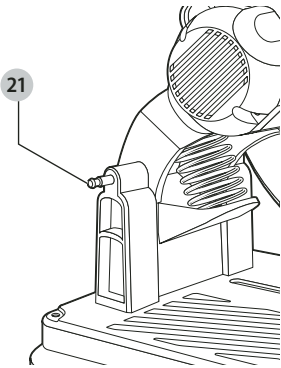


Fig. E

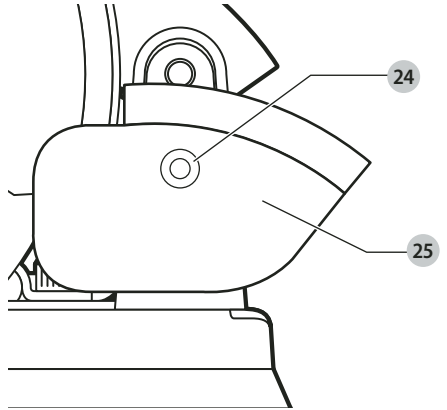


Fig. F

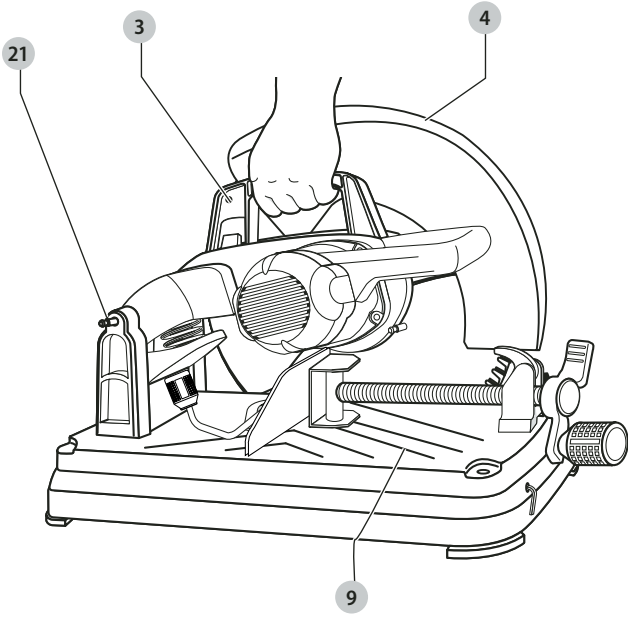
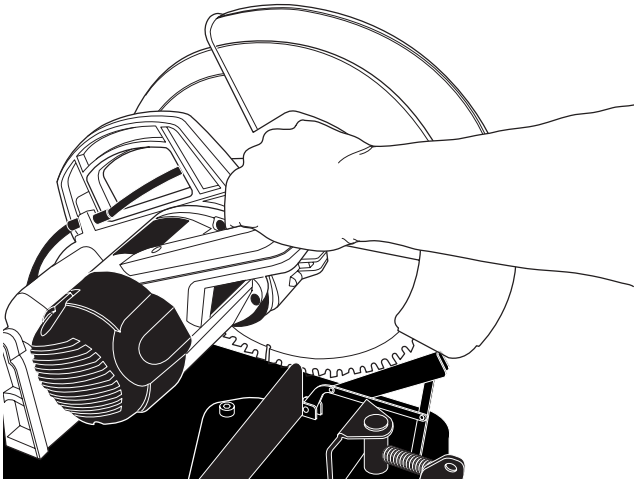


Fig. G



355 mm METAL CUTTING CHOPSAW

DW872

Congratulations!

You have chosen a DEWALT tool. Years of experience, thorough product development and innovation make DEWALT one of the most reliable partners for professional power tool users.

Technical Data

		DW872
Voltage	V_{AC}	230
UK & Ireland	V_{AC}	230/115
Type		15
Power Input	W	2200
No-load speed	min^{-1}	1300
Blade diameter	mm	355
Blade bore	mm	25.4
Blade body thickness	mm	1.8
Blade kerf thickness	mm	2.2
No. of blade teeth		70
Cross-cutting capacity at 90°		
circular	mm	130
square	mm	100 x 100
rectangular	mm	75 x 130
angular	mm	92 x 92
Cross-cutting capacity at 45°		
circular	mm	79
square	mm	79 x 79
rectangular	mm	79 x 123
angular	mm	56 x 56
Weight	kg	22.5
Noise values and vibration values (tri-ax vector sum) according to EN61029-1, EN61029-2-9:		
L_{PA} (emission sound pressure level)	dB(A)	95.0
L_{WA} (sound power level)	dB(A)	108.0
K (uncertainty for the given sound level)	dB(A)	3.0
Vibration emission value $a_{h1} =$		
	m/s^2	< 2.5
Uncertainty K =	m/s^2	1.5

The vibration emission level given in this information sheet has been measured in accordance with a standardised test given in EN61029 and may be used to compare one tool with another. It may be used for a preliminary assessment of exposure.



WARNING: The declared vibration emission level represents the main applications of the tool. However if the tool is used for different applications, with different accessories or poorly maintained, the vibration emission

may differ. This may significantly increase the exposure level over the total working period.

An estimation of the level of exposure to vibration should also take into account the times when the tool is switched off or when it is running but not actually doing the job. This may significantly reduce the exposure level over the total working period.

Identify additional safety measures to protect the operator from the effects of vibration such as: maintain the tool and the accessories, keep the hands warm, organisation of work patterns.

EC-Declaration of Conformity

Machinery Directive



35 mm Metal Cutting Chopsaw

DW872

DEWALT declares that these products described under

Technical Data are in compliance with:

2006/42/EC, EN61029-1:2009+A11:2010, EN ISO 12100:2010.

These products also comply with Directive 2014/30/EU and 2011/65/EU. For more information, please contact DEWALT at the following address or refer to the back of the manual.

The undersigned is responsible for compilation of the technical file and makes this declaration on behalf of DEWALT.

Markus Rompel

Vice President of Engineering, PTE-Europe

DEWALT, Richard-Klinger-Straße 11,

D-65510, Idstein, Germany

10.09.2020



WARNING: To reduce the risk of injury, read the instruction manual.

Definitions: Safety Guidelines


The definitions below describe the level of severity for each signal word. Please read the manual and pay attention to these symbols.




DANGER: Indicates an imminently hazardous situation which, if not avoided, **will** result in **death or serious injury**.



WARNING: Indicates a potentially hazardous situation which, if not avoided, **could** result in **death or serious injury**.


 **CAUTION:** Indicates a potentially hazardous situation which, if not avoided, **may** result in **minor or moderate injury**.

NOTICE: Indicates a practice **not related to personal injury** which, if not avoided, **may** result in **property damage**.

 Denotes risk of electric shock.

 Denotes risk of fire.

Safety Instructions

 **WARNING:** When using electric tools basic safety precautions should always be followed to reduce the risk of fire, electric shock and personal injury including the following.

Read all these instructions before attempting to operate this product and save these instructions.

SAVE THIS MANUAL FOR FUTURE REFERENCE

General Safety Rules

1. **Keep work area clear.**
 - Cluttered areas and benches invite injuries.
2. **Consider work area environment.**
 - Do not expose the tool to rain. Do not use the tool in damp or wet conditions. Keep the work area well lit (250–300 Lux). Do not use the tool where there is a risk of causing fire or explosion, e.g., in the presence of flammable liquids and gases.
3. **Guard against electric shock.**
 - Avoid body contact with earthed surfaces (e.g., pipes, radiators, cookers and refrigerators). When using the tool under extreme conditions (e.g., high humidity, when metal swarf is being produced, etc.), electric safety can be improved by inserting an isolating transformer or a (FI) earth-leakage circuit-breaker.
4. **Keep other persons away.**
 - Do not let persons, especially children, not involved in the work, touch the tool or the extension cord and keep them away from the work area.
5. **Store idle tools.**
 - When not in use, tools must be stored in a dry place and locked up securely, out of reach of children.
6. **Do not force the tool.**
 - It will do the job better and safer at the rate to which it was intended.
7. **Use the right tool.**
 - Do not force small tools to do the job of a heavy duty tool. Do not use tools for purposes not intended; for example do not use circular saws to cut tree limbs or logs.
8. **Dress properly.**
 - Do not wear loose clothing or jewellery, as these can be caught in moving parts. Non-skid footwear is recommended when working outdoors. Wear protective hair covering to contain long hair.
9. **Use protective equipment.**
 - Always use safety glasses. Use a face or dust mask if working operations create dust or flying particles. If these particles might be considerably hot, also wear a heat-resistant apron. Wear ear protection at all times. Wear a safety helmet at all times.
10. **Connect dust extraction equipment.**
 - If devices are provided for the connection of dust extraction and collecting equipment, ensure these are connected and properly used.
11. **Do not abuse the cord.**
 - **Never yank the cord to disconnect it from the socket.** Keep the cord away from heat, oil and sharp edges. Never carry the tool by its cord.
12. **Secure work.**
 - Where possible use clamps or a vice to hold the work. It is safer than using your hand and it frees both hands to operate the tool.
13. **Do not overreach.**
 - Keep proper footing and balance at all times.
14. **Maintain tools with care.**
 - Keep cutting tools sharp and clean for better and safer performance. Follow instructions for lubricating and changing accessories. Inspect tools periodically and if damaged have them repaired by an authorized service facility. Keep handles and switches dry, clean and free from oil and grease.
15. **Disconnect tools.**
 - When not in use, before servicing and when changing accessories such as blades, bits and cutters, disconnect tools from the power supply.
16. **Remove adjusting keys and wrenches.**
 - Form the habit of checking to see that adjusting keys and wrenches are removed from the tool before operating the tool.
17. **Avoid unintentional starting.**
 - Do not carry the tool with a finger on the switch. Be sure that the tool is in the “off” position before plugging in.
18. **Use outdoor extension leads.**
 - Before use, inspect the extension cable and replace if damaged. When the tool is used outdoors, use only extension cords intended for outdoor use and marked accordingly.
19. **Stay alert.**
 - Watch what you are doing. Use common sense. Do not operate the tool when you are tired or under the influence of drugs or alcohol.
20. **Check for damaged parts.**
 - Before use, carefully check the tool and mains cable to determine that it will operate properly and perform its intended function. Check for alignment of moving parts, binding of moving parts, breakage of parts, mounting

and any other conditions that may affect its operation. A guard or other part that is damaged should be properly repaired or replaced by an authorized service centre unless otherwise indicated in this instruction manual. Have defective switches replaced by an authorized service centre. Do not use the tool if the switch does not turn it on and off. Never attempt any repairs yourself.



WARNING: The use of any accessory or attachment or performance of any operation with this tool other than those recommended in this instruction manual may present a risk of personal injury.

21. **Have your tool repaired by a qualified person.**

- This electric tool complies relevant safety rules. Repairs should only be carried out by qualified persons using original spare parts; otherwise this may result in considerable danger to the user.

Additional Safety for Metal Saws

- Do not use saw blades which are damaged or deformed;
- Use only saw blades recommended by the manufacturer which conform to EN 847-1;
- Do not use saw blades manufactured from high speed steel;
- Wear suitable personal protective equipment when necessary, this could include:
 - hearing protection to reduce the risk of induced hearing loss;
 - eye protection;
 - respiratory protection to reduce the risk of inhalation of harmful dust;
 - gloves for handling saw blades (saw blades shall be carried in a holder wherever practicable) and rough material;

Maintenance and Servicing

- Operator's instructions on factors influencing exposure to noise (e.g. use of saw blades designed to reduce the emitted noise, saw blade and machine maintenance);
- Report faults in the machine, including guards or saw blades, as soon as they are discovered.

Safe Operation

- Select the correct saw blade for the material to be cut;
- Do not use the saw to cut other materials than those recommended by the manufacturer;
- Lifting and transportation information. To lift and support the metal saw see Figure F.
- Do not use the saw without the guards in position, in good working order and properly maintained;
- Keep the floor area around the machine level, well maintained and free of loose materials e.g. chips and cut-offs;
- Provide adequate general or localised lighting;
- The operator is adequately trained in the use adjustment and operation of the machine;
- Use correctly sharpened saw blades. Observe the maximum speed marked on the saw blade;

- Ensure that any spacers and spindle rings used are suitable for the purpose as stated by the manufacturer;
- Refrain from removing any cut-offs or other parts of the workpiece from the cutting area while the machine is running and the saw head is not in the rest position;
- Ensure that the machine is always stable and secure. (e.g. fixed to a bench)
- To support long pieces see Figure C3.



WARNING: We recommend the use of a residual current device with a residual current rating of 30mA or less.

Residual Risks

The following risks are inherent to the use of saws:

- Injuries caused by touching the rotating parts
- Injuries caused by disruption of the cutting blade.

These risks are most evident:

- Within the range of operation
- Within the range of the rotating machine parts

In spite of the application of the relevant safety regulations and the implementation of safety devices, certain residual risks cannot be avoided. These are:

- Impairment of hearing.
- Risk of accidents caused by the uncovered parts of the rotating saw blade.
- Risk of injury when changing the blade.
- Risk of squeezing fingers when opening the guards.

Electrical Safety

The electric motor has been designed for one voltage only. Always check that the power supply corresponds to the voltage on the rating plate.



Your DeWALT tool is double insulated in accordance with EN61029; therefore no earth wire is required.



WARNING: 115 V units have to be operated via a fail-safe isolating transformer with an earth screen between the primary and secondary winding.

If the supply cord is damaged, it must be replaced by a specially prepared cord available through the DeWALT service organisation.

Mains Plug Replacement (U.K. & Ireland Only)

If a new mains plug needs to be fitted:

- Safely dispose of the old plug.
- Connect the brown lead to the live terminal in the plug.
- Connect the blue lead to the neutral terminal.



WARNING: No connection is to be made to the earth terminal.

Follow the fitting instructions supplied with good quality plugs. Recommended fuse: 13 A.

Fitting a Mains Plug to 115 V Units (U.K. and Ireland Only)

- The plug fitted should be comply with BS EN 60309 (BS4343), 16 Amps, earthing contact position 4h.

 **WARNING:** Always ensure that the cable clamp is correctly and securely fitted to the sheath of the cable.

Using an Extension Cable

If an extension cable is required, use an approved 3-core extension cable suitable for the power input of this tool (see **Technical Data**). The minimum conductor size is 1.5 mm²; the maximum length is 30 m.

When using a cable reel, always unwind the cable completely.

Package Contents

The package contains:

- 1 Toothed Chopsaw
- 1 Cutting blade
- 1 Hex key
- 1 Vertical clamp
- 1 Instruction manual
- Check for damage to the tool, parts or accessories which may have occurred during transport.
- Take the time to thoroughly read and understand this manual prior to operation.

Markings on Tool

The following pictograms are shown on the tool:



Read instruction manual before use.



Wear ear protection.



Wear eye protection.

Date Code Position (Fig. A)

The date code **26**, which also includes the year of manufacture, is printed into the housing.

Example:

2020 XX XX
Year of Manufacture

Description (Fig. A)

 **WARNING:** Never modify the power tool or any part of it. Damage or personal injury could result.

- 1 On/off switch
- 2 Main handle
- 3 Carrying handle
- 4 Guard
- 5 Spindle lock
- 6 Material clamp
- 7 Fence

- 8 Mounting holes
- 9 Cutting table
- 10 Hex key

Intended Use

Your professional DEWALT toothed chopsaw has been designed for the cutting of variously shaped metal materials: water and gas pipes, angular iron, U-profiles, T-bars, rods, bolts, etc. Using the appropriate cutting blade, it can cut hot and cold rolled carbon steel, construction steels according to DIN 1700 (ST33, ST37-2, ST52-3), non-ferrous metals (i.e. aluminum, brass, copper), stainless steel and synthetic materials (i.e. PVC). This tool is not intended to be used in cast-iron, brick, tile or ceramic materials. The tool is never to be used for cutting magnesium workpieces

DO NOT use under wet conditions or in the presence of flammable liquids or gases.


These chopsaws are professional power tools.

DO NOT let children come into contact with the tool.

Supervision is required when inexperienced operators use this tool.

- **Young children and the infirm.** This appliance is not intended for use by young children or infirm persons without supervision.
- This product is not intended for use by persons (including children) suffering from diminished physical, sensory or mental abilities; lack of experience, knowledge or skills unless they are supervised by a person responsible for their safety. Children should never be left alone with this product.

ASSEMBLY AND ADJUSTMENTS

 **WARNING:** To reduce the risk of serious personal injury, turn tool off and disconnect tool from power source before making any adjustments or removing/installing attachments or accessories. An accidental start-up can cause injury.

Bench Mounting (Fig. A)

Mounting holes **8** have been provided to facilitate bench mounting.

Removing and Fitting a Cutting Blade (Fig. A, B1, B2)

1. With the arm in the rest position, use the lip **42** to slide the guard **4** back. Leave the guard retracted (Fig. B1).
2. Press and hold down the spindle lock **5** (Fig. B2).
3. Rotate the cutting blade until it locks.
4. Rotate the bolt cover **11** out of the way (Fig. B1).
5. Using the hex key **10**, remove the bolt **12** by turning counterclockwise and then remove the lock washer **29**, the flat washer **27** and the retaining flange **28** (Fig. B2).
6. Replace the cutting blade **13**. Make sure that the new blade is placed onto the flange **30** in correct rotational direction.
7. Secure the blade with the retaining flange **28**, the flat washer **27** and lock washer **29** and the bolt **12**.

- Move the guard back down and release the spindle lock **5**.



WARNING: The teeth of a new blade are very sharp and can be dangerous.

Clamping the Workpiece in Position (Fig. A, C1–C6)

The tool is equipped with a material clamp **6** (Fig. A).

- Pull the lever **14** toward the handle **31** (Fig. C1).
- Push the clamp shaft **32** forward until the jaw **33** is almost touching the workpiece.
- Press the lever **14** toward the jaw **33** until it engages with the clamp shaft **32**.
- Rotate the handle **31** clockwise and clamp the workpiece securely.
- To release the workpiece, rotate the handle **31** counterclockwise.



WARNING:

- Clamp the workpiece as far towards the operator as possible.
- Set the clamping position for cutting downstroke as long as the thickness of the workpiece is not exceeding the maximum downstroke cutting capacity (Fig. C2).
 - The maximum downstroke cutting capacity is marked by slot **36**.
 - Continue setting the clamping position as described below.
- Always attempt to clamp the workpiece in a way to minimize the number of teeth cutting through the material (Fig. C4).
- Support long workpieces using a piece of wood **15** (Fig. C3). Do not clamp the cut off end **34**.

Vertical Clamp (Fig. C5, C6)

The vertical clamp **16** is used for upstroke cutting of wide and irregular shaped materials (Fig. C5).

- Insert the vertical clamp in the hole **17** in the base (Fig. C6) until the clamp **16** rests on the workpiece (Fig. C5).
- Pull the lever **18** down to clamp the workpiece.
- Lift the lever **18** to release the clamp **16**.



WARNING: Always use the vertical clamp when cutting upstroke.

Quick Travel Feature (Fig. C1)

The clamp has a quick travel feature.

- To release the clamp, rotate the handle **31** one or two turns counterclockwise and pull the lever **14** toward the handle **31**.

Setting the Clamping Position (Fig. C1, C6)

The clamping position can be set to match the cutting blade.

- Pull the clamp lever **19** toward the handle **31** (Fig. C1) and pull out the location pin **20** to release the fence **7** (Fig. C6).
- Move the fence **7** as required.
- Push the clamp lever **19** back down to the cutting table **9** to lock the fence **7** (Fig. C1).



WARNING: If the clamp lever resistance is too light, slightly tighten the two adjusting bolts on the fence.

Setting the Angle of Cut (Fig. C1, C6)

The tool can be used for mitre cuts up to 45°.

- Pull the clamp lever **19** toward the handle **31** to release the fence **7** (Fig. C1).
- Set the fence **7** to the required angle. The angle can be read on the scale **35**. Use the edge of the slot **36** as a reference (Fig. C6).
- Push the clamp lever **19** back down to the cutting table **9** to lock the fence (Fig. C1).
- If additional clamping is required, the angle of cut can be further fixed in the 90° and 45° cross-cut positions.
 - Align the fence **7** with slot **37**, slot **38** or slot **39** in order to fix the 90° or 45° cross-cut position (Fig. C6).
 - Place the pin **20** through the fence into one of the holes **40**.

Checking and Adjusting the Mitre Scale (Fig. C1, D1, D2)

- Pull the clamp lever **19** toward the handle **31** to release the fence (Fig. C1).
- Pull down the arm and lock it in this position by pushing in the lock-down pin **21** (Fig. D2).
- Place a square **22** against the fence **7** and the left side of the cutting blade creating a perfect 90° (Fig. D1).



WARNING: Do not touch the tips of the blade teeth with the square.

- Push the clamp lever **19** back down to the cutting table **9** to lock the fence (Fig. C1).
- Pull out the lock-down pin **21** and return the arm to its upper rest position (Fig. D2).
- Check that the 0° marking on the scale **35** aligns with the edge of the slot **36** (Fig. D1).
- If adjustment is required, proceed as follows:
 - Loosen the screws **23**.
 - Align the 0° marking on the scale **35** with the edge of the slot **36**.
 - Retighten the screws **23**.

Adjusting the Spark Deflector (Fig. E)

- Loosen the screw **24**.
- Set the spark deflector **25** as appropriate.
- Tighten the screw **24**.





Prior to Operation:

- Install the appropriate cutting blade. Only use sharp or correctly sharpened blades. The maximum rotation speed of the tool must not exceed that of the cutting blade.
- Make sure the blade rotates in the direction of the arrows on the accessory and the tool.
- Secure the workpiece.
- Make sure all locking knobs and clamp handles are tight.

- Always set the spark deflector correctly.
- Do not attempt to cut excessively small pieces. Never perform cuts on small workpieces bundled together.

OPERATION

Instructions for Use

-  **WARNING:** Always observe the safety instructions and applicable regulations.
-  **WARNING:** To reduce the risk of serious personal injury, turn tool off and disconnect tool from power source before making any adjustments or removing/installing attachments or accessories. An accidental start-up can cause injury.
-  **WARNING:** Do not apply excessive pressure to the tool.
-  **WARNING:** Avoid overloading. Should the tool become hot, let it run a few minutes under no load condition.

Soft Start Feature

Time Delay Relay (TDR)

The soft start feature allows a slow speed run-up over 300 ms to avoid an initial jerk when starting. This feature is also particularly useful when the installed fuse value is too low or not of inert character.

Performing a Cut (Fig. A)

1. Place the material to be cut against the fence **7** and as far towards the operator as possible. Secure using the material clamp **6**.
2. Switch on the machine and pull down the main handle **2** to cut the workpiece. Allow the motor to reach full speed before cutting.
3. Allow the blade to cut freely. Do not force.
4. After completing the cut, switch off the machine and return the arm to its upper rest position.



Switching On and Off (Fig. A)

The on/off switch **1** is mounted in the main handle **2**.

To run the tool, press the on/off switch **1**.

Keep the on/off switch depressed while performing the operation.

To stop the tool, release the switch.



-  **WARNING:** Do not switch the tool on or off when under load.
-  **WARNING:** Do not cut magnesium.

Transporting (Fig. F)


The tool is equipped with a lock-down pin **21** which locks the tool in closed-down position for carrying.

1. Lower the guard **4** onto the cutting table **9** and secure the tool in this position by pushing in the lock-down pin **21**.
2. Transport the tool using the carrying handle **3**.
3. To release the tool, pull out the lock-down pin **21**.

Proper Hand Position (Fig. A, G)


-  **WARNING:** To reduce the risk of serious personal injury, ALWAYS use proper hand position as shown.
-  **WARNING:** To reduce the risk of serious personal injury, ALWAYS hold securely in anticipation of a sudden reaction.

Proper hand position requires one hand on the main handle **2** and the other hand holding the workpiece away from the blade.

-  **WARNING:**
 - Never place your hands near the cutting area.
 - Hold the workpiece tightly to the table and the fence when cutting. Keep your hands in position until the switch has been released and the blade has completely stopped.
 - Do not cross your hands.
 - Keep both feet firmly on the floor and maintain proper balance.

MAINTENANCE

Your DEWALT power tool has been designed to operate over a long period of time with a minimum of maintenance. Continuous satisfactory operation depends upon proper tool care and regular cleaning.

-  **WARNING:** To reduce the risk of serious personal injury, turn tool off and disconnect tool from power source before making any adjustments or removing/installing attachments or accessories. An accidental start-up can cause injury.





Lubrication


Your power tool requires no additional lubrication.



Cleaning

-  **WARNING:** Blow dirt and dust out of the main housing with dry air as often as dirt is seen collecting in and around the air vents. Wear approved eye protection and approved dust mask when performing this procedure.
-  **WARNING:** Never use solvents or other harsh chemicals for cleaning the non-metallic parts of the tool. These chemicals may weaken the materials used in these parts. Use a cloth dampened only with water and mild soap. Never let any liquid get inside the tool; never immerse any part of the tool into a liquid.

Optional Accessories

-  **WARNING:** Since accessories, other than those offered by DEWALT, have not been tested with this product, use of such accessories with this tool could be hazardous. To reduce the risk of injury, only DEWALT recommended accessories should be used with this product.

Consult your dealer for further information on the appropriate accessories.

Protecting the Environment



Separate collection. Products and batteries marked with this symbol must not be disposed of with normal household waste.

■ Products and batteries contain materials that can be recovered or recycled reducing the demand for raw materials. Please recycle electrical products and batteries according to local provisions. Further information is available at www.2helpU.com.

355 мм МОНТАЖНАЯ ПИЛА ПО МЕТАЛЛУ DW872

Поздравляем!

Вы приобрели инструмент DEWALT. Многолетний опыт, тщательная разработка изделий и инновации делают компанию DEWALT одним из самых надежных партнеров для пользователей профессиональных электроинструментов.

Технические характеристики

		DW872
Напряжение	$V_{\text{перем. тока}}$	230
Великобритания и Ирландия	$V_{\text{перем. тока}}$	230/115
Тип		15
Потребляемая мощность	Вт	2200
Скорость без нагрузки	об/мин.	1300
Диаметр диска	мм	355
Диаметр посадочного отверстия	мм	25,4
Толщина диска	мм	1,8
Толщина режущей кромки	мм	2,2
Кол-во зубьев диска		70
Режущая способность при поперечном распиле под углом 90°		
круглая заготовка	мм	130
квадратная заготовка	мм	100 x 100
прямоугольная заготовка	мм	75 x 130
L-образная заготовка	мм	92 x 92
Режущая способность при поперечном распиле под углом 45°		
круглая заготовка	мм	79
квадратная заготовка	мм	79 x 79
прямоугольная заготовка	мм	79 x 123
L-образная заготовка	мм	56 x 56
Вес	кг	22,5

Значения шума и вибрации (сумма векторов в трех плоскостях) в соответствии с EN61029-1, EN61029-2-9:

L_{PA} (уровень звукового давления)	дБ(A)	95,0
L_{WA} (уровень акустической мощности)	дБ(A)	108,0
K (погрешность для заданного уровня мощности)	дБ(A)	3,0
Значение вибрационного воздействия a_h =	m/c^2	< 2,5
Погрешность K =	m/c^2	1,5

Значение вибрационного воздействия, указанное в данном справочном листке, было получено в соответствии со стандартным тестом, приведенным в EN61029, и может использоваться для сравнения инструментов. Кроме того,

оно может использоваться для предварительной оценки воздействия вибрации.



ВНИМАНИЕ: Заявленное значение вибрационного воздействия относится к основным областям применения инструмента. Однако, если инструмент используется не по основному назначению, с различными дополнительными принадлежностями или при ненадлежащем уходе, уровень вибрации может измениться. Это может привести к значительному увеличению уровня воздействия вибрации в течение всего рабочего периода.

При расчете приблизительного значения уровня воздействия вибрации также необходимо учитывать время, когда инструмент выключен или то время, когда он работает на холостом ходу. Это может привести к значительному снижению уровня воздействия вибрации в течение всего рабочего периода.

Определите дополнительные меры техники безопасности для защиты оператора от эффектов воздействия вибрации, а именно: состояние инструмента и принадлежностей, комфортные условия для работы, хорошая организация рабочего места.

Декларация о соответствии нормам ЕС Директива по механическому оборудованию



355 мм Монтажная пила по металлу DW872

DEWALT заявляет, что продукция, описанная в разделе «Технические характеристики», соответствует: 2006/42/EC, EN61029-1:2009+A11:2010, EN ISO 12100:2010.

Эти продукты также соответствуют Директивам 2014/30/EU и 2011/65/EU. За дополнительной информацией обращайтесь в компанию DEWALT по адресу, указанному ниже или приведенному на задней стороне обложки руководства.

Нижеподписавшийся несет ответственность за составление технической документации и составил данную декларацию по поручению компании DEWALT.

Маркус Ромпель Вице-президент отдела по разработке и производству, PTE-Europe DEWALT, Richard-Klinger-Straße 11, D-65510, Idstein, Germany 10.09.2020



ВНИМАНИЕ: Во избежание риска получения травм ознакомьтесь с инструкцией.

Обозначения: Правила техники безопасности

Ниже описывается уровень опасности, обозначаемый каждым из предупреждений. Прочитайте руководство и обратите внимание на данные символы.



ОПАСНО: Обозначает опасную ситуацию, которая неизбежно приведет к **серьезной травме или смертельному исходу**, в случае несоблюдения соответствующих мер безопасности.



ВНИМАНИЕ: Указывает на потенциально опасную ситуацию, которая, в случае несоблюдения соответствующих мер безопасности, **может** привести к **серьезной травме или смертельному исходу**.



ПРЕДУПРЕЖДЕНИЕ: Указывает на потенциально опасную ситуацию, которая, в случае несоблюдения соответствующих мер безопасности, **может** стать причиной **травм средней или легкой степени тяжести**.

ПРИМЕЧАНИЕ: Указывает на ситуацию, **не связанную напрямую с получением травм**, но если данным приемом пренебречь, это **может** привести к **порче имущества**.



Указывает на риск поражения электрическим током.



Указывает на риск возгорания.

Правила техники безопасности



ВНИМАНИЕ: При использовании электрического инструмента всегда следует соблюдать основные меры предосторожности, чтобы снизить риск возникновения пожара, поражения электрическим током и получения травм.

Перед началом работы внимательно прочтите данное руководство и сохраните его.

СОХРАНИТЕ НАСТОЯЩЕЕ РУКОВОДСТВО ДЛЯ ИСПОЛЬЗОВАНИЯ В БУДУЩЕМ

Общие правила техники безопасности

1. Содержите рабочее место в чистоте.

- Загромождение рабочей зоны и верстака может стать причиной несчастного случая.

2. Обращайте внимание на условия работы.

- Не подвергайте воздействию дождя. Не используйте инструменты в условиях повышенной влажности. Следите за тем, чтобы рабочее место было хорошо освещено (250–300 люкс). Не используйте инструмент если есть риск возгорания или взрыва, например, поблизости от легковоспламеняющихся жидкостей и газов.

3. Защита от поражения электрическим током.

- Во время работы не прикасайтесь к заземленным предметам (например, трубопроводам, радиаторам отопления, газовым плитам и холодильникам). При использовании инструмента в экстремальных условиях (например, в условиях повышенной влажности, когда разлетается металлическая стружка и т. п.) можно повысить меры электробезопасности установив развязывающий трансформатор или (FI) автоматический выключатель с функцией защиты при утечке на землю.

4. Не позволяйте посторонним лицам находиться в рабочей зоне.

- Не позволяйте кому-либо, особенно детям, не участвующему в производственном процессе, касаться инструмента или удлинителя и не допускайте присутствия посторонних лиц в зоне проведения работ.

5. Хранение исправного инструмента.

- Когда инструмент не используется, он должен храниться под замком в сухом недоступном для детей месте.

6. Избегайте чрезмерной нагрузки инструмента.

- Это позволит сделать работу более производительной и безопасной.

7. Используйте специально предназначенный для данного вида работ инструмент.

- Не используйте маломощные инструменты для выполнения работы, которая должна выполняться при помощи более мощных инструментов. Не используйте инструмент для выполнения работ, для которых он не предназначен; например, не используйте циркулярную пилу для обрезки веток деревьев или распиливания бревен.

8. Одевайтесь соответствующим образом.

- Не надевайте свободную одежду или украшения, так как они могут попасть в движущиеся части инструмента. При выполнении работ на улице рекомендуется носить обувь с не скользящей подошвой. Если у вас длинные волосы, убирайте их под головной убор.

9. Пользуйтесь средствами индивидуальной защиты.

- Всегда надевайте защитные очки. При выполнении работ, при которых разлетается пыль или мелкие частицы материала, используйте защитную маску или респиратор. Если эти частицы могут сильно нагреваться, также надевайте термостойкий фартук. Всегда носите средства защиты органов слуха. Всегда носите каску.

10. Подсоедините пылеудаляющее оборудование.

- При наличии устройств для подключения оборудования для удаления и сбора пыли, необходимо

обеспечить правильность их подключения и эксплуатации.

11. Берегите кабель от повреждений.

- **Никогда не дергайте за кабель, чтобы отключить его от розетки.** Не подвергайте кабель питания воздействию высокой температуры, масла и держите вдали от острых предметов и углов. Никогда не переносите инструмент, держа его за кабель.

12. Безопасная работа.

- Используйте, где это возможно, зажимы или тиски для фиксации обрабатываемой детали. Это безопаснее чем держать детали руками и освобождает руки при работе с инструментом.

13. Не пытайтесь дотянуться до слишком удаленных поверхностей.

- Всегда твердо стойте на ногах, сохраняя равновесие.

14. Тщательно выполняйте техническое обслуживание инструмента.

- Для более эффективной и безопасной работы держите режущие инструменты остро заточенными и чистыми. Смазку и замену принадлежностей выполняйте в соответствии с инструкциями. Выполняйте периодические осмотры инструмента и, если будет обнаружено повреждение, сдайте его на ремонт в авторизованный сервисный центр. Все рукоятки и переключатели должны быть сухими и без следов смазки.

15. Отключите инструмент.

- Если инструмент не используется, перед обслуживанием и заменой приспособлений (лезвия, сверла и режущие диски), отключите инструменты от источника питания.

16. Удалите регулировочные и гаечные ключи.

- Сформируйте привычку визуально контролировать, чтобы с инструмента перед включением были удалены все регулировочные приспособления и ключи.

17. Примите меры для предотвращения случайного включения.

- Не переносите инструмент, держа палец на выключателе. Перед подключением к источнику питания убедитесь, что инструмент выключен.

18. Используйте удлинительный провод, предназначенный для применения вне помещений.

- Перед началом работы проверьте удлинительный кабель на наличие повреждений и замените его при необходимости. При работе инструментом на открытом воздухе всегда используйте кабели питания, предназначенные для применения вне помещений и имеющие соответствующую маркировку.

19. Будьте внимательны.

- Следите за своими действиями. Руководствуйтесь здравым смыслом. Не работайте с инструментом, когда вы устали или находитесь под воздействием наркотиков или алкоголя.

20. Проверяйте исправность деталей инструмента.

- Перед использованием тщательно проверьте инструмент и кабель питания, чтобы решить, будет ли он работать должным образом и сможет ли выполнить намеченную функцию. Проверьте центровку и качество крепления движущихся деталей, наличие поврежденных деталей, качество монтажа и любые другие условия, которые могут повлиять на работу инструмента. Защитное ограждение или другие поврежденные детали должны быть должным образом отремонтированы или заменены в авторизованном сервисном центре, если в этой инструкции по эксплуатации не указано иное. Замените дефектные выключатели в авторизованном сервисном центре. Не используйте инструмент, если не работает его выключатель. Никогда не пытайтесь выполнять ремонт самостоятельно.



ВНИМАНИЕ: Применение любых принадлежностей и приспособлений, а также выполнение любых операций помимо тех, которые рекомендованы данным руководством, может привести к травме.

21. Ремонт инструмента должен выполняться компетентным персоналом.

- При работе с этим электрическим инструментом должны соблюдаться уместные правила техники безопасности. Ремонт должен проводиться квалифицированным специалистом с использованием оригинальных запасных частей; в противном случае это может представлять серьезную опасность для пользователя.

Дополнительные меры безопасности при работе пилами по металлу


- Не используйте поврежденные или деформированные диски;
- Используйте только рекомендованные изготовителем оборудования пыльные диски, отвечающие EN 847-1;
- Не используйте диски из быстрорежущей инструментальной стали;
- При необходимости надевайте индивидуальные средства защиты, включая:
 - средства защиты органов слуха для снижения риска потери слуха;
 - защитные очки;
 - респиратор для предотвращения риска вдыхания вредной пыли;
 - защитные перчатки при переноске пыльных дисков и заготовок из грубых материалов (по возможности держите пыльные диски в футларах);

Техническое обслуживание и ремонт

- Операторы должны быть проинформированы о факторах, влияющих на интенсивность шумовыделения (например, использование пыльных дисков, специально разработанных для уменьшения испускаемого шума, и технического обслуживания электроинструмента);
- Сообщайте обо всех неисправностях инструмента, включая поврежденные защитные кожухи и пыльные диски, по мере их обнаружения.

Правила безопасной эксплуатации

- Используйте пыльные диски, соответствующие типу разрезаемого материала;
- Не используйте пилу для распила других материалов, кроме рекомендованных изготовителем;
- Поднятие и переноска. Для поднятия и переноски пилы по металлу см. Рисунок F.
- Не используйте пилу без установленных защитных кожухов, находящихся в хорошем рабочем состоянии и отремонтированных;
- Следите, чтобы пол вокруг электроинструмента всегда оставался чистым, не допускайте скапливания опилок или щепок;
- Обеспечьте достаточное общее или местное освещение;
- Оператор должен пройти специальное обучение по использованию, регулировке и эксплуатации инструмента;
- Используйте правильно заточенные пыльные диски. Соблюдайте максимальную скорость, указанную на пыльном диске;
- Убедитесь, что все используемые монтажные элементы и шпильные шайбы подходят для применения с данным инструментом, как заявлено производителем;
- Никогда не удаляйте обрезки или другие части заготовки из зоны распила, когда инструмент еще работает, а пыльная головка находится в рабочем положении;
- Убедитесь, что инструмент находится в устойчивом положении и надежно зафиксирован. (например, на верстаке)
- Опору для длинных заготовок см. на Рисунке С3.

 **ВНИМАНИЕ:** Рекомендуется использовать устройство защитного отключения (УЗО) с током утечки до 30 мА.

Остаточные риски

При использовании пилы присутствуют следующие риски:

- Травмы, полученные в результате касания вращающихся частей
- Травмы, полученные в результате разрушения отрезного диска.

Данные риски наиболее распространены:

- Непосредственно в рабочей зоне

- В зоне нахождения вращающихся деталей оборудования Несмотря на соблюдение соответствующих инструкций по технике безопасности и использование предохранительных устройств, некоторые остаточные риски невозможно полностью исключить. А именно:

- Ухудшение слуха.
- Риск несчастных случаев, вызванных незакрытыми частями вращающегося пыльного диска.
- Риск получения травмы при смене диска.
- Риск заземления пальцев при снятии защитного кожуха.

Электробезопасность

Электродвигатель рассчитан на работу только при одном напряжении сети. Необходимо обязательно убедиться в том, что напряжение источника питания соответствует указанному на паспортной табличке электроинструмента.



Ваш инструмент DEWALT имеет двойную изоляцию в соответствии с EN61029; поэтому не требуется заземление при работе с ним.



ВНИМАНИЕ: Питание для инструмента с рабочим напряжением 115 В должно поступать через отказоустойчивый изолирующий трансформатор с заземленным экраном между первичной и вторичной обмотками.

В случае повреждения кабеля питания его необходимо заменить специально подготовленным кабелем, который можно приобрести в сервисных центрах DEWALT.

Замена штепсельной вилки (только для Великобритании и Ирландии)

Если нужно установить штепсельную вилку:

- Осторожно снимите старую вилку.
- Подсоедините коричневый провод к терминалу фазы в вилке.
- Подсоедините синий провод к нулевому терминалу.



ВНИМАНИЕ: Заземление не требуется.

Соблюдайте инструкции по установке высококачественных вилок. Рекомендованный предохранитель: 13 А.

Установка сетевой вилки на инструментах 115 В

(Только для Великобритании и Ирландии)

- Установленная вилка должна соответствовать стандарту BS EN 60309 (BS4343), 16 Ампер, и иметь контакт заземления в позиции 4 ч.



ВНИМАНИЕ: Всегда следите за тем, чтобы кабельный зажим был правильно и надежно закреплен на оплетке кабеля.

Использование удлинительного кабеля

При необходимости использования удлинительного кабеля, используйте только утвержденные 3-х жильные кабели промышленного изготовления, рассчитанные на мощность

не меньшую, чем потребляемая мощность данного инструмента (см. раздел «**Технические характеристики**»).

Минимальный размер проводника должен составлять 1,5 мм²; максимальная длина — 30 м.

При использовании кабельного барабана всегда полностью разматывайте кабель.

Комплект поставки

В упаковку входят:

- 1 Монтажная пила
- 1 Пильный диск
- 1 Шестигранный ключ
- 1 Вертикальный зажим для заготовки
- 1 Руководство по эксплуатации
- Проверьте инструмент, детали и дополнительные принадлежности на предмет повреждений, которые могли произойти во время транспортировки.
- Перед эксплуатацией внимательно прочтите данное руководство.

Маркировка инструмента

На инструмент нанесены следующие обозначения:



Перед началом работы прочтите руководство по эксплуатации.



Используйте защитные наушники.



Используйте защитные очки.

Местоположение кода даты (Рис. А)

Код даты **26**, который также включает год изготовления, напечатан на корпусе.

Пример:

2020 XX XX

Год изготовления

Описание (Рис. А)



ВНИМАНИЕ: Никогда не вносите изменения в конструкцию электроинструмента или какой-либо его части. Это может привести к повреждениям или травмам.

- 1 Пусковой выключатель
- 2 Основная рукоятка
- 3 Ручка для переноски
- 4 Защитный кожух
- 5 Кнопка блокировки шпинделя
- 6 Зажим для заготовки
- 7 Направляющая
- 8 Монтажные отверстия
- 9 Стол
- 10 Шестигранный ключ

Назначение

Ваша профессиональная монтажная пила DeWALT предназначена для резки материалов различного профиля: труб для воды и газа, металлических уголков, U-образных и T-образных профилей, стержней, болтов и т.д. При условии использования соответствующих пильных дисков данная пила может резать горячекатаную и холоднокатаную углеродистую сталь, строительную сталь в соответствии с DIN 1700 (ST33, ST37-2, ST52-3), цветные металлы (например, алюминий, медь, бронзу), нержавеющей сталь и синтетические материалы (например, ПВХ). Данный инструмент не предназначен для работы по чугуну, кирпичу, плитке или керамическим материалам. Запрещается резка заготовок из магния.

НЕ ИСПОЛЬЗУЙТЕ в условиях повышенной влажности или поблизости от легковоспламеняющихся жидкостей или газов.

Данные монтажные пилы являются профессиональными электроинструментами.

НЕ РАЗРЕШАЙТЕ детям прикасаться к инструменту.

Использование инструмента неопытными пользователями должно происходить под контролем опытного лица.

- **Малолетние дети и люди с ограниченными физическими возможностями.** Этот инструмент не предназначен для использования малолетними детьми или людьми с ограниченными физическими возможностями кроме как под контролем лица, отвечающего за их безопасность.
- Данный инструмент не предназначено для использования лицами (включая детей) с ограниченными физическими, психическими и умственными возможностями, не имеющими опыта, знаний или навыков работы с ним, если они не находятся под наблюдением лица, ответственного за их безопасность. Никогда не оставляйте детей без присмотра с этим инструментом.

СБОРКА И РЕГУЛИРОВКА



ВНИМАНИЕ: Чтобы снизить риск получения серьезных травм, выключайте инструмент и отключайте его от сети перед тем, как выполнять какие-либо регулировки или снимать/устанавливать приспособления или дополнительные принадлежности. Случайный запуск может привести к травме.


Крепление пилы на верстаке (Рис. А)

Пила имеет монтажные отверстия **8**, предназначенные для крепления на верстаке.

Снятие и установка пильного диска (Рис. А, В1, В2)

1. При стационарном положении пильной головки, держась за кромку **42**, переведите защитный кожух **4** в заднее положение. Оставьте защитный кожух в таком положении (Рис. В1).


- Нажмите и удерживайте кнопку блокировки шпинделя **5** (Рис. В2).
- Поворачивайте пильный диск до фиксации.
- Отведите крышку **11**, закрепленную на болте (Рис. В1).
- Используя шестигранный ключ **10**, открутите болт **12**, поворачивая его против часовой стрелки, удалите фиксирующую шайбу **29**, плоскую шайбу **27** и прижимной фланец **28** (Рис. В2).
- Замените пильный диск **13**. Убедитесь, что новый пильный диск установлен на фланец **30** с правильным направлением вращения.
- Закрепите пильный диск с помощью прижимного фланца **28**, плоской шайбы **27**, фиксирующей шайбы **29** и болта **12**.
- Переведите защитный кожух в исходное положение и отпустите кнопку блокировки шпинделя **5**.

 **ВНИМАНИЕ:** Зубья нового пильного диска очень острые и могут представлять опасность.

Фиксация обрабатываемой заготовки (Рис. А, С1 – С6)

Инструмент оснащен зажимом для заготовки **6** (Рис. А).


- Отожмите рычаг **14** в направлении рукоятки **31** (Рис. С1).
- Двигайте зажимной винт **32** вперед, пока зажим **33** не приблизится почти вплотную к обрабатываемой заготовке.
- Затяните рычаг **14** в направлении зажима **33**, чтобы он зафиксировался на зажимном винте **32**.
- Поворачивая рукоятку **31** в направлении по часовой стрелке, зажмите с усилием обрабатываемую заготовку.
- Для освобождения заготовки, поверните рукоятку **31** в направлении против часовой стрелки.

-  **ВНИМАНИЕ:**
- Зажимайте заготовку как можно ближе к оператору.
 - Положение зажима при резе сверху вниз должно соответствовать толщине заготовки, которая не должна превышать максимально допустимую для данного типа реза (Рис. С2).
 - Максимальная толщина заготовки при резе сверху вниз обозначена прорезью **36**.
 - Дальнейшая настройка зажима описана ниже.
 - Для сокращения числа зубьев, пропущенных через заготовку во время резания, всегда закрепляйте заготовку при помощи зажима (Рис. С4).
 - Подпирайте длинные обрабатываемые заготовки деревянным бруском **15** (Рис. С3). Не зажимайте отрезной конец заготовки (34).

Вертикальный зажим (Рис. С5 и С6)

Вертикальный зажим **16** используется при распиловке снизу вверх широких и неоднородных по своей форме заготовок (Рис. С5).

- Вставьте вертикальный зажим **16** в одно из отверстий **17** в основании (Рис. С6) и продвигайте его пока он не коснется заготовки (Рис. С5).
- Опустите рычаг **18** вниз, фиксируя заготовку.
- Чтобы раскрыть зажим **16**, поднимите рычаг **18** вверх.

 **ВНИМАНИЕ:** При распиловке снизу вверх всегда используйте вертикальный зажим для заготовки.

Быстрое перемещение зажима (Рис. С1)


Конструкция зажима позволяет производить его быстрое перемещение.

- Для раскрытия зажима, поверните рукоятку **31** на один-два оборота в направлении против часовой стрелки и отожмите рычаг **14** в направлении рукоятки **31**.

Регулировка положения зажима (Рис. С1, С6)

Положение зажима можно регулировать в соответствии с положением пильного диска.

- Потяните рычаг зажима **19** в сторону рукоятки **31** (Рис. С1) и вытяните центровочный штифт **20**, освобождая направляющую **7** (Рис. С6).
- Передвиньте направляющую **7** на необходимую позицию.
- Отведите рычаг зажима **19** обратно к столу **9**, чтобы зафиксировать направляющую **7** (Рис. С1).

 **ВНИМАНИЕ:** Если зажимная плотность рычага слишком слабая, немного затяните два регулировочных болта на направляющей.

Установка угла реза (Рис. С1 и С6)

Пила может использоваться для резов под углом до 45°.

- Отведите рычаг зажима **19** в сторону рукоятки **31**, освобождая направляющую **7** (Рис. С1).
- Установите направляющую **7** под нужным углом. Угол отображается на градуированной шкале **35**. Для контроля угла используйте край прорези **36** (Рис. С6).
- Отведите рычаг зажима **19** обратно к столу **9**, чтобы зафиксировать направляющую (Рис. С1).
- Если необходима дополнительная фиксация заготовки, угол поперечного реза может быть установлен 90° и 45°.
 - Установите направляющую **7** на одной линии с прорезью **37**, прорезью **38** или прорезью **39**, чтобы зафиксировать ее под углом 90° или 45° для поперечного реза (Рис. С6).
 - Вставьте штифт **20** через направляющую в одно из отверстий **40**.

Проверка и регулировка градуированной шкалы (Рис. С1, D1, D2)

- Отведите рычаг зажима **19** в сторону рукоятки **31**, освобождая направляющую (Рис. С1).
- Переместите пильную головку вниз и зафиксируйте ее в этой позиции, нажав на фиксатор **21** (Рис. D2).
- Прижмите угольник **22** к направляющей **7** и левой стороне пильного диска, чтобы выставить угол точно 90° (Рис. D1).

ВНИМАНИЕ: Не касайтесь угольником зубьев диска.

- Отведите рычаг зажима **19** обратно к столу **9**, чтобы зафиксировать направляющую (Рис. С1).
- Отожмите фиксатор **21** и переведите пильную головку в верхнее стационарное положение (Рис. D2).
- Проследите, чтобы метка 0° на градуированной шкале **35** находилась на одной линии с краем прорези **36** (Рис. D1).
- При необходимости регулировки выполните следующие действия:
 - Ослабьте винты **23**.
 - Выровняйте отметку 0° на шкале **35** с краем прорези **36**.
 - Затяните винты **23**.

Настройка отражателя искр (Рис. E)

- Ослабьте винт **24**.
- Установите отражатель искр **25** в нужное положение.
- Затяните винт **24**.

Подготовка к эксплуатации:

- Установите пильный диск соответствующего типа. Используйте только острые или правильно заточенные пильные диски. Максимальная скорость вращения инструмента не должна превышать скорость вращения пильного диска.
- Убедитесь, что указанные стрелки направления вращения на насадке и на инструменте совпадают.
- Надежно крепите заготовку.
- Убедитесь в том, что все фиксаторы и зажимы надежно закреплены.
- Всегда правильно устанавливайте отражатель искр.
- Не пытайтесь распиливать очень мелкие детали. Никогда не распиливайте мелкие заготовки, собранные воедино.

ЭКСПЛУАТАЦИЯ

Инструкции по эксплуатации

ВНИМАНИЕ: Всегда соблюдайте правила техники безопасности и применимые законы.

ВНИМАНИЕ: Чтобы снизить риск получения серьезных травм, выключайте инструмент и отключайте его от сети перед тем, как выполнять какие-либо регулировки или снимать/устанавливать приспособления или дополнительные принадлежности. Случайный запуск может привести к травме.

ВНИМАНИЕ: Не прилагайте чрезмерное усилие при работе с инструментом.

ВНИМАНИЕ: Избегайте перегрузок. При сильном нагреве инструмента позвольте ему поработать несколько минут без нагрузки.

Функция плавного пуска

Реле с задержкой времени (TDR)

Функция плавного старта позволяет постепенно набирать скорость в течение 300 мс во избежание резкого толчка при запуске. Данная функция также будет полезна если номинал установленного предохранителя слишком низкий или он не является инертным.

Выполнение реза (Рис. A)

- Поместите заготовку вплотную к направляющей **7** и как можно ближе к оператору. Зафиксируйте заготовку с помощью зажима **6**.
- Включите инструмент и потяните вниз основную рукоятку **2**, чтобы разрезать заготовку. Перед началом резки дождитесь, пока двигатель наберет полные обороты.
- Не пытайтесь ускорить работу пильного диска. Не прилагайте чрезмерные усилия.
- После завершения реза выключите инструмент и верните пильную головку в исходное верхнее положение.

Включение и выключение (Рис. A)

Пусковой выключатель **1** находится на основной рукоятке **2**.

Чтобы включить инструмент, нажмите пусковой выключатель **1**.

При резании удерживайте пусковой выключатель нажатым.

Чтобы выключить инструмент, отпустите пусковой выключатель.

ВНИМАНИЕ: Не включайте и не выключайте инструмент под нагрузкой.

ВНИМАНИЕ: Не режьте магний.

Транспортировка (Рис. F)

Ваш инструмент оснащен фиксатором **21**, который запирает инструмент в сложенном положении для переноски.

- Прижмите защитный кожух **4** к столу **9** и зафиксируйте пилу в этом положении, нажав фиксатор **21**.
- Переносите инструмент за специальную ручку для переноски **3**.
- Чтобы освободить инструмент, вытяните фиксатор **21**.

Правильное положение рук (Рис. A, G)

ВНИМАНИЕ: Во избежание риска получения серьезных травм, **ВСЕГДА** используйте правильное положение рук как показано на рисунке.

ВНИМАНИЕ: Во избежание риска получения серьезных травм, всегда крепко держите инструмент, предупреждая внезапную резку отдачи.

Правильное положение рук во время работы: одной рукой возьмитесь за основную рукоятку **2**, другой рукой удерживайте заготовку как можно дальше от пильного диска.



ВНИМАНИЕ:

- *Никогда не держите руки в зоне распила.*
- *Прижимайте заготовку к столу и направляющей во время распиловки. Держите свои руки в этом положении до тех пор, пока не отпустите выключатель и диск полностью не остановится.*
- *Не перекрещивайте руки во время работы.*
- *Твердо стойте на ногах, чтобы сохранять надлежащий баланс.*

ТЕХНИЧЕСКОЕ ОБСЛУЖИВАНИЕ

Электроинструмент DEWALT имеет длительный срок эксплуатации и требует минимальных затрат на техобслуживание. Для длительной безотказной работы необходимо обеспечить правильный уход за инструментом и его регулярную очистку.



ВНИМАНИЕ: *Чтобы снизить риск получения серьезных травм, выключайте инструмент и отключайте его от сети перед тем, как выполнять какие-либо регулировки или снимать/устанавливать приспособления или дополнительные принадлежности. Случайный запуск может привести к травме.*



Смазка

Вашему инструменту не требуется дополнительная смазка.



Чистка



ВНИМАНИЕ: *Выдувайте грязь и пыль из корпуса сухим сжатым воздухом по мере видимого скопления грязи внутри и вокруг вентиляционных отверстий. Надевайте защитные очки и пылезащитную маску при выполнении этих работ.*



ВНИМАНИЕ: *Никогда не пользуйтесь растворителями или другими сильнотоксичными химическими веществами для чистки неметаллических частей инструмента. Эти химикаты могут повредить структуру материала, используемого для производства таких деталей. Используйте ткань, смоченную в мягком мыльном растворе. Не допускайте попадания жидкости внутрь инструмента; никогда не погружайте никакие из деталей инструмента в жидкость.*

Дополнительные принадлежности



ВНИМАНИЕ: *В связи с тем, что дополнительные принадлежности других производителей, кроме DEWALT, не проходили проверку на совместимость с данным изделием, их использование может представлять опасность. Во избежание травм, с данным инструментом следует использовать*

только дополнительные принадлежности, рекомендованные DEWALT.

Проконсультируйтесь со своим продавцом для получения дополнительной информации.

Защита окружающей среды



Отдельная утилизация. Изделия и аккумуляторные батареи с данным символом на маркировке запрещается утилизировать с обычными бытовыми отходами.

Изделия и аккумуляторные батареи содержат материалы, которые могут быть извлечены или переработаны, снижая потребность в исходном сырье. Пожалуйста, утилизируйте электрические изделия и аккумуляторные батареи в соответствии с местными нормами. Дополнительная информация доступна по адресу www.2helpU.com.

Дополнительная информация:

Дату изготовления (код даты) указан на корпусе инструмента. Код даты, который так же включает год изготовления, отштампован на поверхности корпуса изделия. Пример: 2021 46 XX, где 2021 – год изготовления, 46–неделя изготовления, XX – код завода изготовителя. ТОВАР СЕРТИФИЦИРОВАН. Орган по сертификации "РОСТЕСТ- Москва", Адрес: 119049, г. Москва, улица Житная, д. 14, стр. 1; 117418, Москва, Нахимовский просп., 31 (факт.). Тел.: (499) 1292311, (495) 6682893, E-mail: office@rostest.ru Изготовитель: Изготовитель: Блэк энд Деккер Холдингс ГмбХ, Германия, 65510, Идштайн, ул. Блэк энд Деккер, 40, тел. +496126212790.

Уполномоченное изготовителем юрлицо: ООО "Стэнли Блэк энд Деккер", 117485, город Москва, улица Обручева, дом 30/1, строение 2, Телефон: + 7 (495) 258-3981, факс: + 7 (495) 258-3984, E-mail: inbox@dewalt.com. Сведения о импортере указаны в сопроводительной документации и/или на упаковке.



Приложение к руководству по эксплуатации электрооборудования для определения месяца производства по номеру текущей календарной недели года

Электрооборудование торговых марок "Dewalt", "Stanley", "Stanley FatMAX", "BLACK+DECKER".

Директивы 2014/30/EU ЕВРОПЕЙСКОГО ПАРЛАМЕНТА И СОВЕТА от 26 февраля 2014 г. "О гармонизации законодательств Государств-членов ЕС в области электромагнитной совместимости", 2006/42/ЕС ЕВРОПЕЙСКОГО ПАРЛАМЕНТА И СОВЕТА от 17 мая 2006 г. "О машинах и оборудовании"; 2014/35/EU ЕВРОПЕЙСКОГО ПАРЛАМЕНТА И СОВЕТА от 26 февраля 2014 г. "О гармонизации законодательств государств-членов в области размещения на рынке электрооборудования, предназначенного для использования в определенных пределах напряжения". Серийный выпуск.

ТОВАР СЕРТИФИЦИРОВАН

Орган по сертификации "РОСТЕСТ- Москва", Адрес: 119049, г. Москва, улица Житная, д. 14, стр. 1; 117418, Москва, Нахимовский просп., 31 (фактический), Телефон: (495) 1292311, (495) 6682893, Факс: (495) 6682893, E-mail: office@rostest.ru

Изготовитель: Изготовитель: Блэк энд Деккер Холдингс ГмБХ, Германия, 65510, Идштайн, ул. Блэк энд Деккер, 40, тел. +496126212790.

Уполномоченное изготовителем юр.лицо:

ООО "Стэнли Блэк энд Деккер", 117485, город Москва, улица Обручева, дом 30/1, строение 2
Телефон: + 7 (495) 258-3981, Факс: + 7 (495) 258-3984, E-mail: inbox@dewalt.com

Сведения о импортере указаны в сопроводительной документации и/или на упаковке

Хранение.

Необходимо хранить в сухом месте, вдали от источников повышенных температур и воздействия солнечных лучей. При хранении необходимо избегать резкого перепада температур. Хранение без упаковки не допускается

Срок службы.

Срок службы изделия составляет 5 лет. Не рекомендуется к эксплуатации по истечении 5 лет хранения с даты изготовления без предварительной проверки.

Дата изготовления (код даты) указана на корпусе инструмента. Код даты, который также включает год изготовления, оштампован на поверхности корпуса изделия.

Пример:

2014 46 XX, где 2014 –год изготовления, 46-неделя изготовления.

Определить месяц изготовления по указанной неделе изготовления можно согласно приведенной ниже таблице.

Транспортировка.

Категорически не допускается падение и любые механические воздействия на упаковку при транспортировке.

При разгрузке/погрузке не допускается использование любого вида техники, работающей по принципу зажима упаковки.

Перечень критических отказов, возможные ошибочные действия персонала.

Не допускается эксплуатация изделия:

- При появлении дыма из корпуса изделия
- При поврежденном и/или оголенном сетевом кабеле
- при повреждении корпуса изделия, защитного кожуха, рукоятки
- при попадании жидкости в корпус
- при возникновении сильной вибрации
- при возникновении сильного искрения внутри корпуса

Критерии предельных состояний.

- При поврежденном и/или оголенном сетевом кабеле
- при повреждении корпуса изделия

Месяц	Январь	Февраль	Март	Апрель	Май	Июнь	Июль	Август	Сентябрь	Октябрь	Ноябрь	Декабрь	Год производства
Неделя	1	5	9	14	18	23	27	31	36	40	44	49	2018
	2	6	10	15	19	24	28	32	37	41	45	50	
	3	7	11	16	20	25	29	33	38	42	46	51	
	4	8	12	17	21	26	30	34	39	43	47	52	
Неделя			13		22			35			48		2019
	1	6	10	14	18	23	27	31	36	40	45	49	
	2	7	11	15	19	24	28	32	37	41	46	50	
	3	8	12	16	20	25	29	33	38	42	47	51	
	4	9	13	17	21	26	30	34	39	43	48	52	
Неделя					22			35		44			2020
	1	6	10	14	19	23	27	32	36	40	45	49	
	2	7	11	15	20	24	28	33	37	41	46	50	
	3	8	12	16	21	25	29	34	38	42	47	51	
	4	9	13	17	22	26	30	35	39	43	48	52	
Неделя				18			31		40				2021
	2	6	10	14	19	23	27	32	36	41	45	49	
	3	7	11	15	20	24	28	33	37	42	46	50	
	4	8	12	16	21	25	29	34	38	43	47	51	
	5	9	13	17	22	26	30	35	39	44	48	52	
Неделя						31		40				1	2022
	2	6	10	15	19	23	28	32	36	41	45	49	
	3	7	11	16	20	24	29	33	37	42	46	50	
	4	8	12	17	21	25	30	34	38	43	47	51	
	5	9	13	18	22	26	31	35	39	44	48	52	
Неделя			14			27			40			1	2022



ГАРАНТИЙНЫЕ УСЛОВИЯ

Уважаемый покупатель!

1. Поздравляем Вас с покупкой высококачественного изделия DEWALT и выражаем признательность за Ваши входы.
2. При покупке изделия требуйте проверки его комплектности и исправности в Вашем присутствии. В комплекте с инструментом должна быть инструкция по эксплуатации и гарантийные условия производителя на русском языке. Сохраняйте на весь срок гарантии Ваш документ, удостоверяющий факт покупки изделия. Убедитесь, что в чеке указаны: фискальный номер чека, модель/наименование изделия, дата продажи и название торговой организации.
3. Во избежание недоразумений убедительно просим Вас перед началом работы с изделием внимательно ознакомиться с инструкцией по его эксплуатации. Правовой основой настоящих гарантийных условий является действующее Законодательство. Гарантийный срок на данное изделие составляет 36 месяцев и исчисляется со дня продажи. В случае устранения недостатков изделия гарантийный срок продлевается на период его нахождения в ремонте. Срок службы изделия составляет 5 лет со дня продажи.
4. В случае возникновения каких-либо проблем в процессе эксплуатации изделия рекомендуем Вам обращаться только в уполномоченные сервисные центры DEWALT, адреса и телефоны которых Вы сможете найти на сайте www.2helpU.com или узнать в магазине. Наши сервисные станции это не только квалифицированный ремонт, но и широкий ассортимент запчастей и принадлежностей.
5. Производитель рекомендует проводить периодическую проверку и техническое обслуживание изделия в уполномоченных сервисных центрах.
6. Наши гарантийные обязательства распространяются только на неисправности, выявленные в течение гарантийного срока и вызванные дефектами материалов или сборки изделия.

7. Гарантийные условия не распространяются на неисправности изделия, возникшие в результате:

7.1. Несоблюдения пользователем предписаний инструкции по эксплуатации изделия, применения изделия не по назначению, неправильного хранения, использования принадлежностей, расходных материалов и запчастей, не предусмотренных производителем.

7.2. Механического повреждения (сколы, трещины и разрушения) внутренних и внешних деталей изделия, основных и вспомогательных рукояток, сетевого электрического кабеля, вызванного внешним ударным или любым иным воздействием.

7.3. Попадания в вентиляционные отверстия и проникновение внутрь изделия посторонних предметов, материалов или веществ, не являющихся отходами, сопровождающими применение изделия по назначению, такими как: стружка, опилки, песок, и пр.

7.4. Воздействия на изделие неблагоприятных атмосферных и иных внешних факторов, таких как дождь, снег, повышенная влажность, нагрев, агрессивные среды, несоответствие параметров питающей электросети, указанных на инструменте.

7.5. Стихийного бедствия. Повреждение или утрата изделия, связанное с непредвиденными бедствиями, стихийными явлениями, в том числе вследствие действия непреодолимой силы (пожар, молния, потоп и другие природные явления), а также вследствие перепадов напряжения в электросети и другими причинами, которые находятся вне контроля производителя.

8. Гарантийные условия не распространяются:

8.1. На инструменты, подвергавшиеся вскрытию, ремонту или модификации вне уполномоченного сервисного центра.

8.2. На детали и узлы, имеющие следы естественного износа, такие как: приводные ремни и колеса, угловые щетки, смазка, подшипники, зубчатое зацепление редукторов, резиновые уплотнения, сальники, направляющие ролики, муфты сцепления, бойки, толкатели, стволы, и т.п.

8.3. На сменные и расходные части: цанги, зажимные гайки и фланцы, фильтры, ножи, шлифовальные подошвы, цепи, звездочки, пильные шины, защитные кожухи, пилки, абразивы, пильные и абразивные диски, фрезы, сверла, буры и т.п.

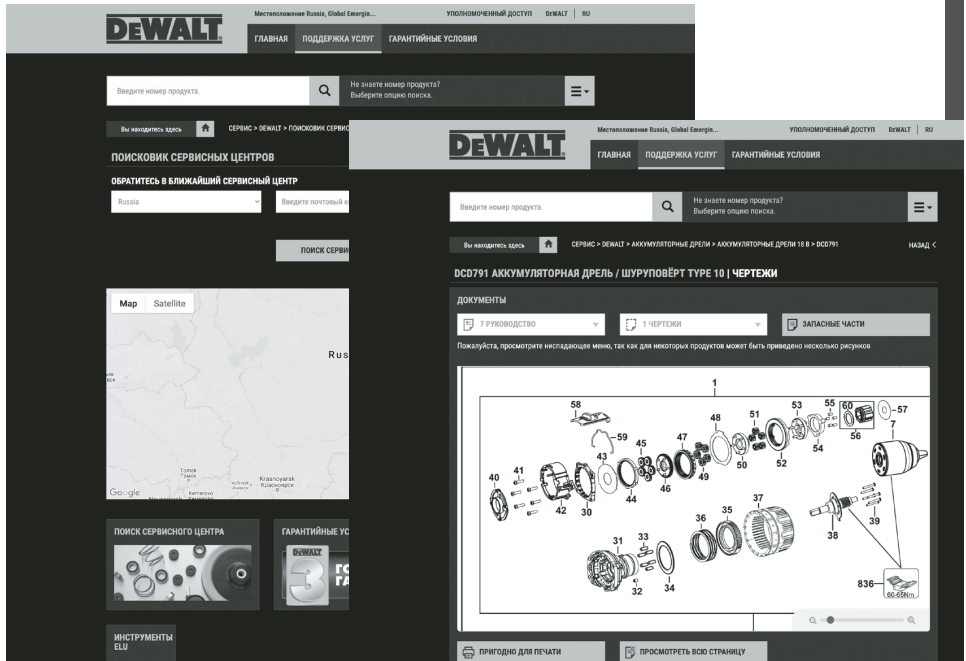
8.4. На неисправности, возникшие в результате перегрузки инструмента (как механической, так и электрической), повлекшей выход из строя одновременно двух и более деталей и узлов, таких как ротора и статора, обеих обмоток статора, ведомой и ведущей шестерни редуктора или других узлов и деталей. К безусловным признакам перегрузки изделия относятся, помимо прочего: появление цветов побежалости, деформация или оплавление деталей и узлов изделия, потемнение или облупление изоляции проводов электродвигателя под воздействием высокой температуры.



**ОБЯЗАТЕЛЬНО СОХРАНЯЙТЕ
КАССОВЫЙ ЧЕК**

Актуальную информацию об обслуживании
в интересующем вас городе вы можете узнать на сайте
service.dewalt.ru

27-03-2021



Список авторизованных сервисных центров | Удобный поиск ближайшего сервисного центра | Руководство по эксплуатации
 Технические характеристики | Список деталей и запасных частей | Схема сборки инструмента

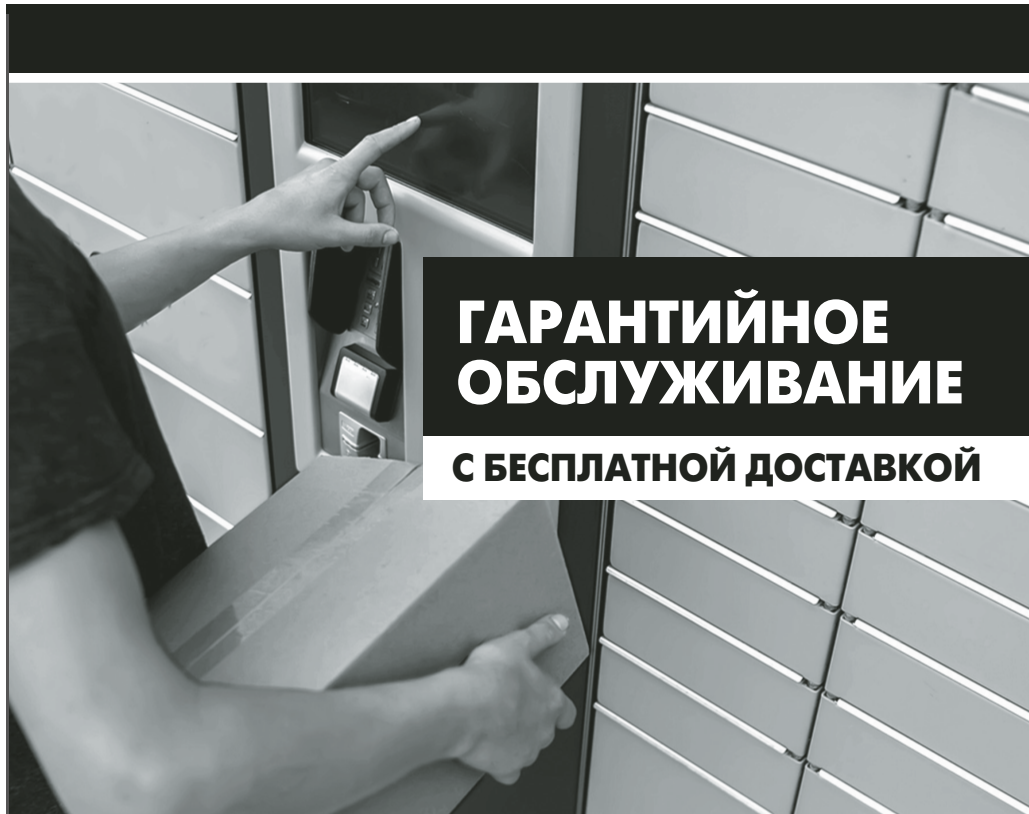


Также данную информацию вы можете получить, позвонив по телефону:

8-800-1000-876

Отметки о проведении сервисного обслуживания

№1	№2	№3	№4
№ заказа	№ заказа	№ заказа	№ заказа
Дата поступления	Дата поступления	Дата поступления	Дата поступления
Дата ремонта	Дата ремонта	Дата ремонта	Дата ремонта
Печать и подпись сервисного центра	Печать и подпись сервисного центра	Печать и подпись сервисного центра	Печать и подпись сервисного центра



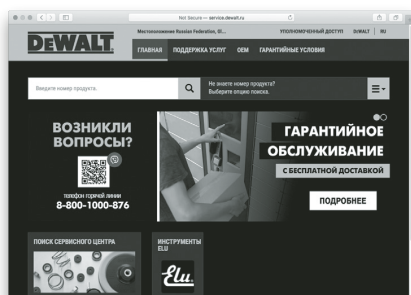
ГАРАНТИЙНОЕ ОБСЛУЖИВАНИЕ С БЕСПЛАТНОЙ ДОСТАВКОЙ

ТЕПЕРЬ ВЫ МОЖЕТЕ СДАТЬ ИНСТРУМЕНТ В СЕРВИС, ДАЖЕ ЕСЛИ ЕГО НЕТ В ВАШЕМ ГОРОДЕ

КАК ВОСПОЛЬЗОВАТЬСЯ УСЛУГОЙ

Скачать/распечатать
инструкцию
с сайта

service.dewalt.ru



телефон горячей линии

8-800-1000-876

ВІДРІЗНА ПИЛКА ПО МЕТАЛУ 355 мм DW872

Вітаємо вас!

Ви обрали інструмент DEWALT. Великий досвід компанії у розробці інструментів та постійна робота над їхнім удосконаленням роблять компанію DEWALT надійним партнером професійних користувачів.

Технічні характеристики

		DW872
Напруга	V _{змін. струму}	230
Велика Британія та Ірландія	V _{змін. струму}	230/115
Тип		15
Вхідна потужність	Вт	2200
Швидкість без навантаження	об/хв	1300
Діаметр пильного диска	мм	355
Діаметр отвору диска	мм	25,4
Товщина диска	мм	1,8
Товщина прорізу диска	мм	2,2
Кількість зубів диска		70
Торцювання при 90°		
циркулярне	мм	130
квадратне	мм	100 x 100
прямокутне	мм	75 x 130
кутове	мм	92 x 92
Торцювання при 45°		
циркулярне	мм	79
квадратне	мм	79 x 79
прямокутне	мм	79 x 123
кутове	мм	56 x 56
Маса	кг	22,5

Значення рівня шуму та вібрації (сума трьох векторів) відповідно до стандартів EN61029-1, EN61029-2-9:

L _{PA} (рівень тиску звукового випромінювання)	дБ(A)	95,0
L _{WA} (рівень звукової потужності)	дБ(A)	108,0
K (похибка для даного рівня звукового тиску)	дБ(A)	3,0
Значення вібрації a _h =	м/с ²	< 2,5
Похибка K =	м/с ²	1,5

Значення вібрації, що наведено в цьому документі, було виміряне згідно зі стандартизованим тестом, викладеним в EN61029, та може використовуватись для порівняння інструментів. Це значення вібрації можна також використовувати для попередньої оцінки впливу вібрації.



УВАГА! Задеклароване значення вібрації відповідає вимогам цільового використання інструмента. Однак якщо інструмент використовується для

виконання інших завдань, з іншими витратними матеріалами/насадками або не обслуговується відповідно до вимог, значення вібрації може відрізнятися. Це може значно збільшити рівень впливу протягом усього періоду роботи.

Оцінка рівня впливу вібрації має враховувати час вимкнення інструмента та роботу інструмента без виконання певних завдань. Це може значно зменшити рівень впливу протягом усього періоду роботи.

Визначення додаткових заходів безпеки для захисту оператора від впливу вібрації: технічне обслуговування інструмента та приладдя, утримання рук у теплі, організація режиму роботи.

Декларація про відповідність ЄС

Директива для механічного обладнання



Відрізна пила по металу 35 мм

DW872

Компанія DEWALT заявляє, що вироби, описані у розділі **Технічні дані**, відповідають стандартам: 2006/42/EC, EN61029-1:2009+A11:2010, EN ISO 12100:2010.

Ці продукти також відповідають вимогам Директив 2014/30/EU та 2011/65/EU. Для отримання додаткової інформації зверніться до компанії DEWALT за наступною адресою або прочитайте інформацію на зворотній стороні цього посібника.

Нижчепідписаний несе відповідальність за упорядкування файлу технічних характеристик та робить цю заяву від імені компанії DEWALT.

Маркус Ромпель (Markus Rompel)

Віце-президент з технічних питань, PTE-Europe/DEWALT, Richard-Klinger-Straße 11, D-65510, Idstein, Німеччина 10.09.2020




УВАГА! Уважно прочитайте керівництво з експлуатації для зниження ризику отримання травм.


Позначення: Інструкції з техніки безпеки

Умовні позначення, наведені нижче, описують рівень важливості кожної попереджувальної вказівки. Прочитайте керівництво та зверніть увагу на символи, наведені нижче.



НЕБЕЗПЕЧНО! Вказує на безпосередню загрозу, ігнорування якої призведе до смерті або серйозної травми.

 **УВАГА!** Указує на потенційну загрозу, яка, якщо її не уникнути, **може** призвести до **смерті або серйозної травми**.


 **ОБЕРЕЖНО!** Указує на потенційну загрозу, яка, якщо її не уникнути, **може** призвести до **травми незначної або середньої важкості**.

ПРИМІТКА. Указує на ситуацію, **не пов'язану з особою травмою**, яка, якщо її не уникнути, **може** призвести до **пошкодження майна**.

 Вказує на ризик ураження електричним струмом.

 Вказує на ризик виникнення пожежі.

Інструкції з техніки безпеки

 **УВАГА!** При використанні електричних пристроїв необхідно дотримуватись основних заходів безпеки, включаючи наступні, щоб знизити ризик виникнення пожежі, ураження електричним струмом, травм та матеріальних ушкоджень.

Перед використанням інструменту уважно прочитайте всі ці інструкції та збережіть їх для наступного використання.

ЗБЕРІГАЙТЕ ЦЕ КЕРІВНИЦТВО ДЛЯ ОТРИМАННЯ ІНФОРМАЦІЇ В ПОДАЛЬШОМУ.

Загальні правила безпеки

- Тримайте робочу зону в чистоті.**
 - Неупорядковані робочі зони та верстаки збільшують ймовірність нещасного випадку.
- Звертайте увагу на стан навколишнього середовища.**
 - Не залишайте інструмент під дощем. Не використовуйте інструмент в умовах підвищеної вологості. Утримуйте робочу зону добре освітленою (250–300 люкс). Не використовуйте інструмент в місцях, де існує ризик пожежі або вибуху, наприклад, в присутності легкозаймистих рідин або газів.
- Захист від ураження електричним струмом.**
 - Уникайте контакту тіла з заземленими поверхнями (наприклад, труби, радіатори, плити та холодильники). При використанні інструменту за екстремальних умов (наприклад, висока вологість, при утворенні металевої стружки тощо), можна підвищити електричну безпеку шляхом встановлення розділового трансформатора або автоматичного вимикача (FI) з витоком на землю.
- Утримуйте інших людей подалі від робочої зони.**
 - Не дозволяйте стороннім особам, що не працюють, та особливо дітям підходити до робочої зони та торкатися електричних шнурів.
- Зберігання вимкнених електричних інструментів.**
 - Коли пристрій не використовується, його необхідно зберігати в сухому, надійно замкненому та недоступному для дітей місці.

6. Не використовуйте надмірні зусилля при роботі з інструментом.

- Він виконає роботу краще та безпечніше зі швидкістю, на яку він розрахований.

7. Використовуйте вірно підібраний інструмент.

- Малопотужний інструмент не можна використовувати для робіт, які потрібно виконувати за допомогою більш потужного інструменту. Використовуйте інструмент лише за призначенням; наприклад, не використовуйте дискову пилку для різання гілок дерев або колод.

8. Вдягайтеся відповідним чином.

- Не вдягайте вільний одяг чи прикраси, тому що вони можуть зачепитися за рухомі деталі. При роботі на вулиці рекомендовано вдягати неслизькі черевики. Використовуйте засоби для захисту довгого волосся.

9. Використовуйте засоби безпеки.

- Завжди використовуйте захисні окуляри. Використовуйте маску для обличчя або протипилову маску при виконанні операцій, що призводять до утворення пилу або летючих часток. Якщо ці частки можуть бути досить гарячими, використовуйте також термостійкий фартух. Постійно використовуйте засоби захисту слуху. Постійно використовуйте захисний шолом.

10. Підключайте пристрій для видалення пилу.

- Якщо передбачені пристрої для підключення до засобів виділення та збирання пилу, переконайтеся, що вони правильно підключені та використовуються.

11. Не використовуйте кабель живлення не за призначенням.

- Ніколи не тягніть за кабель, щоб витягнути вилку з розетки. Оберітайте кабель від перегрівання та контакту з джерелами тепла, від потрапляння жиру та контакту з гострими предметами. Забороняється переносити інструмент, тримаючи його за кабель.

12. Закріплюйте деталь, що обробляється.

- Для фіксації деталі можна скористатися струбцинами або лещатами. Це безпечніше, ніж утримувати її руками, та звільняє обидві руки для роботи з інструментом.

13. Не перенапружуйтеся.

- Завжди утримуйте правильну постановку ніг і рівновагу.

14. Ретельно обслуговуйте інструмент.

- Утримуйте ріжучі аксесуари гострими та чистими для кращої та більш безпечної роботи. Дотримуйтеся інструкцій щодо змащування та заміни витратних матеріалів. Періодично обстежуйте інструмент. Якщо він пошкоджений, ремонт необхідно виконувати в авторизованому сервісному центрі. Всі ручки та

перемикачі інструменту повинні бути сухими та без залишків мастила.

15. Відключайте інструменти від джерела живлення.

- Відключайте їх від мережі, коли вони не працюють, перед обслуговуванням, при заміні аксесуарів, наприклад, пильних дисків, приладдя та інших деталей інструменту.

16. Зніміть регулювальні і гайкові ключі.

- Перед ввімкненням інструменту переконайтесь, що на ньому не залишилися регулювальні або гайкові ключі.

17. Уникнення випадкового запуску.

- Не переносьте інструмент, тримаючи палець на вимикачі. Перед підключенням до мережі живлення переконайтесь, що інструмент знаходиться в положенні «Вимкн».

18. Використовуйте подовжувачий кабель для зовнішніх робіт.

- Перед використанням перевірте подовжувачий кабель та замініть його у разі пошкодження. При використанні інструменту поза приміщенням використовуйте подовжувачий кабель, призначений для зовнішнього застосування із відповідним маркуванням.

19. Будьте уважні.

- Стежте за тим, що робите. Користуйтесь здоровим глуздом. Не використовуйте інструмент, якщо ви втомилися або перебуваєте під впливом наркотичних речовин або алкоголю.

20. Перевіряйте справність деталей інструменту.

- Перед роботою з інструментом уважно огляньте його та кабель живлення, щоб переконатися у відсутності пошкоджень. Перевірте взаємне положення та зачеплення рухомих деталей, відсутність зламаних деталей, правильність збірки та інші умови, що можуть перешкоджати правильній роботі інструменту. Відремонтуйте або замініть пошкоджені деталі або захисне приладдя в офіційному сервісному центрі, якщо інакше не вказане в цьому керівництві. Замінійте несправні вимикачі в офіційному сервісному центрі. Не використовуйте інструмент, вмикач якого не вмикає та не вмикає його. Не намагайтесь виконувати ремонт самостійно.



УВАГА! Використання будь-якого приладдя, насадок або виконання будь-яких операцій з цим інструментом, крім рекомендованих в цьому посібнику з експлуатації, може призвести до травмування.

21. Ремонт інструменту повинен виконувати кваліфікований спеціаліст.

- Цей електричний інструмент виготовлений відповідно до правил техніки безпеки. Ремонт інструменту повинен виконуватись кваліфікованими спеціалістами із використанням

оригінальних запасних деталей; інакше може виникнути ризик небезпеки для користувача.

Додаткові інструкції з техніки безпеки для пилок по металу

- Ніколи не використовуйте пошкоджені або деформовані пильні диски;
- Використовуйте тільки рекомендовані виробником пильні диски, що відповідають стандарту EN 847-1;
- Не використовуйте пильні диски, виготовлені з швидкорізальної сталі;
- При необхідності використовуйте відповідні засоби індивідуального захисту, в тому числі:
 - засоби захисту органів слуху, щоб знизити ризик втрати слуху;
 - засоби захисту очей;
 - засоби захисту органів дихання для зниження ризику вдихання шкідливого пилу;
 - рукавиці для роботи з пильними дисками (коли це можливо, пильні диски слід носити в тримачі) і зрубним матеріалом;

Технічне і сервісне обслуговування

- Інструкції оператора щодо факторів, що впливають на рівень шуму (наприклад, використання пильних дисків, призначених для зниження випромінюваного шуму, обслуговування пильного диска і верстата);
- Повідомляйте про несправності машини, включаючи захисні кожухи або пильні диски, відразу ж після їх виявлення.

Безпечна експлуатація

- Виберіть пильний диск, що підходить для різання матеріалу;
- Не використовуйте пилку для розпилюванні матеріалів, не рекомендованих виробником;
- Інформація про підйом і транспортування. Для підйому і підтримки пилки по металу див. рис. F.
- Не використовуйте пилку без встановлених захисних пристосувань, які перебувають у робочому стані і належним чином обслуговуються;
- Утримуйте підлогу робочої зони рівною, чистою та вільною від сміття, наприклад, стружки та обрізків;
- Забезпечте необхідне загальне та локальне освітлення;
- Оператор повинен мати відповідні навички щодо використання, налаштування та роботи інструменту;
- Використовуйте вірно заострені пильні диски. Дотримуйтесь максимальної швидкості, відміченої на пильному диску;
- Переконайтесь, що всі прокладки та кільця шпинделя відповідають способам використання, зазначеним виробником;
- Не дозволяється видаляти обрізки чи частини заготовки з зони різання, коли пилка працює і ріжуча

голівка не знаходиться у верхньому положенні при повністю закритому захисному кожусі;

- Забезпечте постійну стійкість і безпеку машини. (наприклад, закріпленої на верстаті)
- Для підтримки довгих заготовок див. рис. С3.



УВАГА! Ми рекомендуємо використовувати пристрій залишкового струму з залишковим струмом 30 мА або менше.

Залишкові ризики

Наступні ризики можуть залишитися при використанні пилок:

- травми через контакт з деталями, що обертаються
- травми, викликані порушенням роботи ріжучого диска.

Ці ризики найбільш очевидні:

- в межах робочого діапазону
- в межах діапазону деталей машини, що обертаються

Дотримання всіх правил техніки безпеки та застосування пристроїв безпеки не гарантує уникнення певних залишкових ризиків. До такого переліку належать:

- Порушення слуху.
- Ризик нещасного випадку, викликаний незакритими деталями пильного диска, що обертається.
- Ризик травми при заміні пильного диску.
- Ризик затиснення пальців при відкритті захисних кожухів.

Електрична безпека

Електричний двигун розроблений для роботи лише з одним значенням напруги. Завжди перевіряйте відповідність джерела живлення напрузі, яка зазначена на таблиці з паспортними даними.



Ваш інструмент виробництва компанії DEWALT має подвійну ізоляцію відповідно до EN61029; тому заземлення не є необхідним.



УВАГА! Пристрої з напругою 115 В необхідно контролювати шляхом надійного розділового трансформатора з екраном заземлення між первинною та вторинною обмотками.

Якщо кабель живлення пошкоджений, його необхідно замінити на спеціальний кабель, який можна замовити в офіційних сервісних центрах DEWALT.

Заміна мережевої вилки (тільки для Великої Британії та Ірландії)

Якщо потрібно встановити нову вилку живлення:

- Зніміть стару вилку та утилізуйте її, дотримуючись правил техніки безпеки.
- Приєднайте коричневий провідник до активного виходу вилки.
- Приєднайте блакитний провідник до нейтрального виходу.



УВАГА! Жоден провідник не має бути підключений до клеми заземлення.

Дотримуйтеся інструкцій щодо встановлення, які постачаються з якісними вилками. Плавкий запобіжник, що рекомендується: 13 А.

Установка мережевої вилки на пристрої 115 В (тільки для Великої Британії та Ірландії)

- Встановлена мережева вилка повинна відповідати вимогам стандарту BS EN 60309 (BS4343), 16 ампер, положення контактного заземлення 4h.



УВАГА! Завжди стежте за тим, щоб кабельний затиск був правильно і надійно закріплений на обolonці кабелю.

Використання електричного подовжувача

Якщо необхідний подовжувач, використовуйте рекомендований 3-жильний подовжувальний шнур, що підходить для споживаної потужності інструмента (див. **Технічні характеристики**). Мінімальний розмір провідника становить 1,5 мм²; максимальна довжина – 30 м. При використанні кабельного барабану завжди витягуйте весь кабель.

Комплект поставки

До комплекту входить:

- 1 Зубчаста відрізна пилка
- 1 Ріжучий диск
- 1 Шестигранний ключ
- 1 Вертикальний затискач
- 1 Керівництво з експлуатації

- Перевірте інструмент, деталі та приладдя на пошкодження, що могли виникнути під час транспортування.
- Перед використанням уважно прочитайте та повністю зрозумійте це керівництво.

Маркування на інструменті

На інструменті є наступні піктограми:



Прочитайте інструкції цього керівництва перед використанням.



Використовуйте засоби захисту слуху.



Використовуйте засоби захисту очей.

Розташування коду дати (рис. А)

Код дати **26**, що включає також рік виробництва, наноситься на корпус.

Приклад:

2020 XX XX

Рік виробництва

Опис (рис. А)



УВАГА! Ніколи не модифікуйте електричні інструменти або їх деталі. Це може призвести до пошкодження майна або тілесних ушкоджень.

- 1 Вимикач
- 2 Основна ручка
- 3 Ручка для перенесення
- 4 Захисний кожух
- 5 Фіксатор шпинделя
- 6 Затискач матеріалу
- 7 Напрямна
- 8 Монтажні отвори
- 9 Різальний стил
- 10 Шестигранний ключ.

Сфера застосування

Ваша професійна зубчата відрізна пилка DeWALT призначена для різання металевих матеріалів різної форми: водопровідних і газових труб, кутового заліза, U-образних профілів, таврових профілів, прутків, болтів і т.д. При використанні відповідного ріжучого диска вона може різати гарячекатану і холоднокатану вуглецеву сталь, конструкційні сталі по DIN 1700 (ST33, ST37-2, ST52-3), кольорові метали (тобто алюміній, латунь, мідь), нержавіючу сталь і синтетичні матеріали (тобто ПВХ). Цей інструмент не призначений для використання з чавунними, цегляними, плитковими або керамічними матеріалами. Забороняється використовувати інструмент для різання магнієвих заготовок

НЕ використовуйте за умов підвищеної вологості або в присутності легкозаймистих рідин та газів.

Ці пилки призначені для професійного використання.

НЕ дозволяйте дітям підходити на небезпечну відстань та торкатися інструмента. Використання інструмента недосвідченими операторами потребує нагляду.

- **Діти та хворі люди.** Цей пристрій не призначений для експлуатації дітьми та особами з обмеженими розумовими та фізичними можливостями без стороннього контролю.
- Цей пристрій не призначений для використання особами (включаючи дітей) зі зниженими фізичними, сенсорними або розумовими можливостями або особами, яким бракує досвіду або знань, за винятком випадків, коли такі особи працюють під наглядом особи, яка несе відповідальність за їх безпеку. Не можна залишати дітей наодинці з цим приладом.

МОНТАЖ ТА НАЛАШТУВАННЯ



УВАГА! Щоб знизити ризик серйозних травм, вимкніть інструмент та відключіть його від мережі живлення перед виконанням будь-яких налаштувань або зніманням/встановленням насадок чи аксесуарів. Випадковий запуск може призвести до травм.

Кріплення до верстаку (рис. А)

Монтажні отвори **8** передбачені для полегшення монтажу на верстаті.

Встановлення та знімання ріжучого диска (рис. А, В1, В2)

1. Коли важіль перебуває в початковому положенні, використовуйте кромку **42**, щоб зрушити захисний кожух **4** назад. Залиште захисний кожух втягнутим (рис. В1).
2. Натисніть і утримуйте фіксатор шпинделя **5** (рис. В2).
3. Поверніть ріжучий диск до його фіксації.
4. Відверніть кришку болта **11** в сторону (рис. В1).
5. За допомогою шестигранного ключа **10** витягніть болт **12**, повернувши його проти годинникової стрілки, а потім зніміть стопорну шайбу **29**, плоску шайбу **27** і фіксуючий фланець **28** (рис. В2).
6. Замініть ріжучий диск **13**. Переконайтеся, що новий диск встановлений на фланець **30** в правильному напрямку обертання.
7. Закріпіть диск за допомогою фіксуючого фланця **28**, плоскої шайби **27**, стопорної шайби **29** і болта **12**.
8. Поверніть захисний кожух назад і відпустіть блокування шпинделя **5**.



УВАГА! Зубці нового диска дуже гострі і можуть бути небезпечними.

Закріплення заготовки в положенні (рис. А, С1–С6)

Інструмент оснащений затискачем матеріалу **6** (рис. А).

1. Потягніть важіль **14** в сторону ручки **31** (рис. С1).
2. Просуньте вал затискача **32** вперед, поки затискний кулачок **33** майже не торкнеться заготовки.
3. Натискайте важіль **14** в напрямку кулачка **33**, поки він не ввійде в зачеплення з валом затискача **32**.
4. Поверніть ручку **31** за годинниковою стрілкою і надійно затисніть заготовку.
5. Щоб звільнити заготовку, поверніть ручку **31** проти годинникової стрілки.



УВАГА!

- Затисніть заготовку якомога далі до оператора.
- Встановіть положення затиску для різання вниз, поки товщина заготовки не перевищує максимальну ріжучу здатність вниз (рис. С2).
 - Максимальна ріжуча здатність вниз позначається прорізом **36**.
 - Продовжуйте встановлювати положення затиску, як описано нижче.
- Завжди намагайтеся затиснути заготовку таким чином, щоб мінімізувати кількість зубців, що ріжуть матеріал (рис. С4).

- Підтримуйте довгі заготовки за допомогою шматка дерева **15** (рис. С3). Не затискайте відрізаний кінець **34**.

Вертикальний затискач (рис. С5, С6)

Вертикальний затискач **16** використовується для вертикальної різки широких матеріалів і матеріалів неправильної форми (рис. С5).

1. Вставте вертикальний затиск в отвір **17** в основі (рис. С6), поки затискач **16** не впреться в заготовку (рис. С5).
2. Потягніть важіль **18** вниз, щоб затиснути заготовку.
3. Підніміть важіль **18**, щоб звільнити затискач **16**.



УВАГА! Завжди використовуйте вертикальний затискач при різанні вгору.

Функція швидкого переміщення (рис. С1)

Затискач має функцію швидкого переміщення.

- Щоб звільнити затискач, поверніть ручку **31** на один або два оберти проти годинникової стрілки та потягніть важіль **14** в сторону ручки **31**.

Встановлення положення затиску (рис. С1, С6)

Положення затискача можна встановити відповідно до ріжучого диска.

1. Потягніть важіль затиску **19** в сторону ручки **31** (рис. С1) і витягніть центральний штифт **20**, щоб звільнити огорожу **7** (рис. С6).
2. Перемістіть огорожу **7** за необхідності.
3. Посуньте важіль затискача **19** назад до різального столу **9**, щоб зафіксувати огорожу **7** (рис. С1).



УВАГА! Якщо опір важеля затискача занадто малий, злегка затягніть два регулювальних болта на огорожі.

Встановлення кута різання (рис. С1, С6)

Інструмент можна використовувати для різання під кутом нахилу до 45°.

1. Потягніть важіль затискача **19** в сторону ручки **31**, щоб звільнити огорожу **7** (рис. С1).
2. Встановіть огорожу **7** на потрібний кут. Кут можна побачити на шкалі **35**. Використовуйте край прорізу **36** в якості орієнтира (рис. С6).
3. Посуньте важіль затискача **19** назад до різального столу **9**, щоб зафіксувати огорожу (рис. С1).
4. Якщо потрібно додаткове затискання, кут зрізу можна додатково зафіксувати в положеннях поперечного розрізу 90° та 45°.
 - a. Зіставте огорожу **7** з прорізом **37**, прорізом **38** або прорізом **39**, щоб зафіксувати положення поперечного розрізу на 90° або 45° (рис. С6).
 - b. Вставте штифт **20** через огорожу в один з отворів **40**.

Перевірка та налаштування шкали кута повороту (рис. С1, D1, D2)

1. Потягніть важіль затискача **19** в сторону ручки **31**, щоб звільнити огорожу (рис. С1).

2. Потягніть важіль вниз і зафіксуйте його в цьому положенні, вдавнивши стопорний штифт **21** (рис. D2).
3. Прикладіть косинець **22** до огорожі **7** і лівій стороні ріжучого диска, створюючи ідеальний кут 90° (рис. D1).



УВАГА! Не торкайтесь краю зубців пильного полотна косинцем.

4. Посуньте важіль затискача **19** назад до різального столу **9**, щоб зафіксувати огорожу (рис. С1).
5. Витягніть стопорний штифт **21** і поверніть важіль у верхнє вихідне положення (рис. D2).
6. Переконайтеся, що відмітка 0° на шкалі **35** збігається з краєм прорізу **36** (рис. D1).
7. Якщо необхідне налаштування, виконайте наступне:
 - a. Послабте гвинти (23).
 - b. Зіставте відмітку 0° на шкалі **35** з краєм прорізу **36**.
 - c. Затягніть гвинти **23**.

Налаштування дефлектору іскор (рис. E)

1. Послабте гвинт **24**.
2. Встановіть дефлектор іскор **25** відповідним чином.
3. Затягніть гвинт **24**.

Перед експлуатацією

- Встановіть відповідний ріжучий диск. Використовуйте лише зострі або правильно заточені диски. Максимальна допустима швидкість обертання, що вказана на ріжучому диску, повинна бути не меншою за максимальну швидкість обертання шпинделю торцювальної пили.
- Переконайтеся, що диск обертається в тому напрямку, який вказано стрілками на приладді чи інструменті.
- Зафіксуйте заготовку.
- Переконайтеся, що всі поворотні рукоятки та фіксатори затягнені.
- Завжди правильно встановлюйте дефлектор іскор.
- Не намагайтесь розпилювати занадто малі заготовки. Ніколи не виконуйте розрізи невеликих заготовок, зібраних разом.

ЕКСПЛУАТАЦІЯ

Інструкції з використання



УВАГА! Завжди дотримуйтесь усіх інструкцій з техніки безпеки та відповідних норм.



УВАГА! Щоб знизити ризик серйозних травм, вимкніть інструмент та відключіть його від мережі живлення перед виконанням будь-яких налаштувань або змінням/встановленням насадок чи аксесуарів. Випадковий запуск може призвести до травм.



УВАГА! Не застосовуйте надмірний тиск на інструмент.



УВАГА! Уникайте перевантаження інструмента. Якщо інструмент стає гарячим,

залиште його на кілька хвилин у робочому режимі, але без навантаження.

Функція плавного запуску

Реле затримки часу (TDR)

Функція м'якого старту дозволяє поступово збільшувати швидкість протягом 300 мс для уникнення ривків при старті. Ця функція також особливо корисна, коли встановлене значення запобіжника занадто низьке або не має інертного характеру.

Виконання розрізу (рис. А)

1. Розмістіть матеріал для різання навпроти огорожі **7** і якнайдалі до оператора. Закріпіть за допомогою затискача матеріалу **6**.
2. Увімкніть машину та потягніть вниз основну ручку **2**, щоб розрізати заготовку. Не починайте роботу, доки двигун не набере обертів.
3. Дозвольте пильному диску вільно різати. Не прикладайте силу.
4. Після завершення різання вимкніть машину та поверніть руку у верхнє вихідне положення.

Увімкнення/вимкнення (рис. А)

Вимикач **1** встановлений в основній ручці **2**.

Щоб увімкнути інструмент, натисніть на вимикач **1**.

Під час виконання операції тримайте вимикач в натиснутому положенні.

Щоб зупинити інструмент, відпустіть вимикач.



УВАГА! Не вмикайте та не вимикайте інструмент під навантаженням.



УВАГА! Не різте магній.

Транспортування (рис. F)

Інструмент оснащений стопорним штифтом **21**, який фіксує інструмент у закритому положенні для перенесення.

1. Опустіть захисний кожух **4** на різальний стіл **9** і закріпіть інструмент у цьому положенні, вдавивши стопорний штифт **21**.
2. Транспортуйте інструмент за допомогою ручки для перенесення **3**.
3. Щоб звільнити інструмент, витягніть стопорний штифт **21**.

Правильне положення рук (рис. А, G)



УВАГА! Щоб знизити ризик серйозних тілесних ушкоджень, **ЗАВЖДИ** правильно розташуйте руки, як показано.



УВАГА! Щоб знизити ризик серйозних тілесних ушкоджень, **ЗАВЖДИ** добре тримайте інструмент, щоб попередити випадкову віддачу.

При правильному положенні рук необхідно одну руку тримати на основній ручці **2**, а іншу – на заготовці подалі від леза.



УВАГА!

- Ніколи не розташовуйте руки біля ріжучих поверхонь.
- Добре притискайте заготовку до столу та напрямної при розрізанні. Утримуйте руки в тому ж положенні до відпускання перемикача та повної зупинки пильного диску.
- Не схрещуйте руки.
- Утримуйте обидві ноги на підлозі та утримуйте рівновагу.

ТЕХНІЧНЕ ОБСЛУГОВУВАННЯ

Ваш інструмент виробництва компанії DEWALT призначений для роботи протягом довгого часу з мінімальним обслуговуванням. Довга задовільна робота приладу залежить від належного обслуговування приладу та регулярного його очищення.



УВАГА! Щоб знизити ризик серйозних травм, вимкніть інструмент та відключіть його від мережі живлення перед виконанням будь-яких налаштувань або змінням/встановленням насадок чи аксесуарів. Випадковий запуск може призвести до травм.



Змашування

Ваш електричний інструмент не вимагає додаткового змашування.



Очищення



УВАГА! Коли пил та бруд стають помітними та починають накопичуватися біля вентиляційних отворів, видавайте бруд та пил зсередини основного корпусу за допомогою сухого повітря. Використовуйте рекомендовані засоби захисту органів зору та рекомендовану протипилову маску при виконанні цієї операції.



УВАГА! Ніколи не використовуйте розчинники та інші агресивні хімічні засоби для очищення неметалевих деталей інструмента. Такі хімічні речовини можуть нанести шкоду матеріалам, що використовуються в цих деталях. Використовуйте вологу ганчірку, змочену лише водою з м'яким милом. Не дозволяйте рідині потрапляти всередину інструмента та ніколи не занурюйте деталі інструмента в рідину.

Додаткове приладдя



УВАГА! Оскільки інше приладдя, що не рекомендоване компанією DEWALT, не було перевірено з цим виробом, використання такого приладдя з цим інструментом може бути небезпечним. Щоб знизити ризик травми використовуйте лише приладдя, рекомендоване компанією DEWALT.

Зверніться до свого дилера для отримання подальшої інформації щодо відповідного приладдя.

Захист навколишнього середовища



Роздільний збір. Пристрої та акумулятори, позначені цим символом, не можна викидати зі звичайним побутовим сміттям.

Пристрої та акумулятори містять матеріали, які можна відновити та переробити, що зменшить потребу у сировині. Будь ласка, віддавайте електричні інструменти та акумулятори на переробку відповідно до місцевих постанов.

Більш детальну інформацію можна отримати на сайті

www.2helpU.com.



Виробник:

"Stanley Black & Decker Deutschland
GmbH" Black-&-Decker Str.40, D-65510
Idstein, Німеччина

DEWALT

ГАРАНТІЙНИЙ ТАЛОН

**3 РОКИ
ГАРАНТІЇ**

1. Вітаємо Вас з покупкою високоякісного виробу DEWALT і висловлюємо вдячність за Ваш вибір.
2. При покупці виробу вимагайте перевірки його комплекстності і справності у Вашій присутності, інструкцію з експлуатації та заповнений гарантійний талон українською мовою. В гарантійному талоні повинні бути внесені: модель, дата продажу, серійний номер, дата виробництва інструменту, назва, печатка і підпис торгової організації. За відсутності у Вас правильно заповненого гарантійного талону, а також при невідповідності зазначених у ньому даних ми будемо змушені відхилити Ваші претензії щодо якості даного виробу.
3. Щоб уникнути непорозумінь, переконливо просимо Вас перед початком роботи з виробом уважно ознайомитися з інструкцією з його експлуатації. Правовою основою справних гарантійних умов є чинне Законодавство. Гарантійний термін на даний виріб складає 36 місяці і обчислюється з дня продажу. У разі усунення недоліків виробу, гарантійний строк продовжується на період його перебування в ремонті. Термін служби виробу становить 5 років з дня продажу.
4. У разі виникнення будь-яких проблем у процесі експлуатації виробу рекомендуємо Вам звертатися тільки в уповноважені сервісні центри DEWALT, адреси та телефони яких Ви зможете знайти в гарантійному талоні, на сайті www.2helpU.com або дізнатися в магазині. Наші сервісні станції - це не тільки кваліфікований ремонт, але і широкий асортимент запчастин і аксесуарів.
5. Виробник рекомендує проводити періодичну перевірку і технічне обслуговування виробу в уповноважених сервісних центрах.
6. Наші гарантійні зобов'язання поширюються тільки на несправності, виявлені протягом гарантійного терміну і викликані дефектами виробництва та \ або матеріалів.
7. Гарантійні умови не поширюються на несправності виробу, що виникли в результаті:
 - 7.1. Недотримання користувачем приписів інструкції з експлуатації виробу, застосування виробу не за призначенням, неправильного зберігання, використання приладдя, витратних матеріалів і запчастин, що не передбачені виробником.
 - 7.2. Механічного пошкодження (відколи, тріщини і руйнування) внутрішніх і зовнішніх деталей виробу, основних і допоміжних рукояток, мережевого кабелю, що викликані зовнішнім ударним або будь-яким іншим впливом
 - 7.3. Поتراплення у вентиляційні отвори та проникнення всередину виробу сторонніх предметів, матеріалів або речовин, що не є відходами, які супроводжують застосування виробу за призначенням, такими як: стружка, тирса, пісок, тін.
 - 7.4. Впливу на виріб несприятливих атмосферних і інших зовнішніх факторів, таких як дощ, сніг, підвищена вологість, нагрівання, агресивне середовище, невідповідність параметрів електромережі, що зазначені на інструменті.
 - 7.5. Стихійного лиха. Пошкодження або втрати виробу, що пов'язані з передбаченими лихами, стихійними явищами, у тому числі внаслідок дії непереборної сили (пожежа, блискавка, потоп і інші природні явища), а також внаслідок перепадів напруги в електромережі та іншими причинами, які знаходяться поза контролем виробника.
8. Гарантійні умови не поширюються:
 - 8.1. На інструменти, що піддавалися розкриттю, ремонту або модифікації поза уповноваженим сервісним центром.
 - 8.2. На деталі, вузли та матеріали, що мають сліди природного зносу, такі як: приводні ремені і колеса, вугільні щітки, мастило, підшипники, зубчасті зчеплення редукторів, гумові ущільнення, сальники, направляючі ролики, муфти, вимикачі, бойки, штовхачі, столи тощо.
 - 8.3. На змінні частини: патрони, цанги, затискні гайки і фланці, фільтри, ножі, шліфувальні підшви, ланцюги, зірочки, пильні шини, захисні кожухи, пилки, абразиви, пильні і абразивні диски, фрези, свердла, бури тощо
 - 8.4. На несправності, що виникли в результаті перевантаження інструменту (як механічного, так і електричного), що спричинили вихід з ладу одночасно двох і більше деталей і вузлів, таких як: ротора і статора, обох обмоток статора, веденої і ведучої шестерень редуктора або інших вузлів і деталей. До безумовних ознак перевантаження виробу відносяться, крім інших: поява кольорів мінливості, деформація або оплвлення деталей і вузлів виробу, потемніння або обуглювання ізоляції проводів електродвигуна під впливом високої температури.

Товар отриманий в справному стані, без видимих ушкоджень, в повній комплектації, перевірений у моїй присутності, претензій щодо якості товару не маю. З умовами гарантійного обслуговування ознайомлений і згоден.

П. І. Б. та підпис власника _____

Шановні клієнти, наша мережа авторизованих сервісних центрів постійно розширюється. Актуальну інформацію про обслуговування в місті, що цікавить вас, ви можете дізнатися на сайті

www.2helpU.com

Редакція ВК/12-12-2018

Інформація про інструмент

Найменування інструменту	
Модель	
Найменування продавця	
Дата продажу	

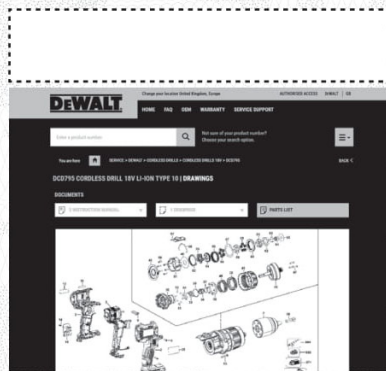
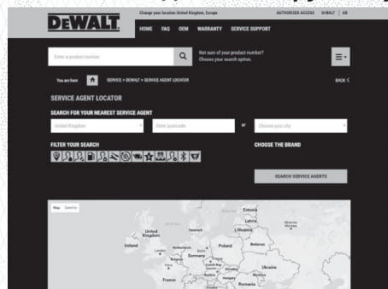
М.П.
Продавця

Серійний номер/Дата виробництва

Інструмент	
Зарядний пристрій	
Акумулятор 1	
Акумулятор 2	

На сайті www.2helpU.com доступні наступні функції:

- Список авторизованих сервісних центрів
- Зручний пошук найближчого сервісного центру
- Керівництво з експлуатації
- Технічні характеристики
- Список деталей і запасних частин
- Схема складання інструменту



**Також дану інформацію ви можете отримати, зателефонувавши за номером:
0 (800) 211 521 в Україні**

ВІДМІТКА ПРО ПРОВЕДЕННЯ СЕРВІСНОГО ОБСЛУГОВУВАННЯ

№1	№2	№3	№4
№ замовлення	№ замовлення	№ замовлення	№ замовлення
Дата прийому	Дата прийому	Дата прийому	Дата прийому
Дата ремонту	Дата ремонту	Дата ремонту	Дата ремонту
Печатка і підпис сервісного центру	Печатка і підпис сервісного центру	Печатка і підпис сервісного центру	Печатка і підпис сервісного центру

