



BPT318 Pole Hedge Trimmer

## INSTRUCTION MANUAL

**IF YOU SHOULD HAVE A QUESTION OR  
EXPERIENCE A PROBLEM WITH YOUR  
BLACK & DECKER PRODUCT**

**CALL AUSTRALIA 1-800-654 155**

**NEW ZEALAND 64 9 259 1111**

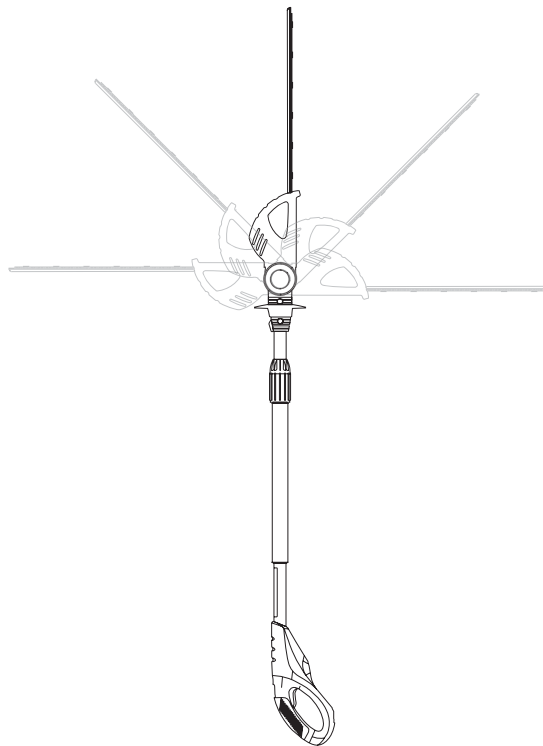
BEFORE YOU CALL, HAVE THE FOLLOWING INFORMATION  
AVAILABLE, CATALOG No., TYPE No., AND DATE CODE (e.g. 0130M).

IN MOST CASES, A BLACK & DECKER REPRESENTATIVE CAN  
RESOLVE YOUR PROBLEM OVER THE PHONE IF YOU HAVE A  
SUGGESTION OR COMMENT, GIVE US A CALL. YOUR FEEDBACK IS  
VITAL TO BLACK & DECKER.

SAVE THIS MANUAL FOR FUTURE REFERENCE.

### KEY INFORMATION YOU SHOULD KNOW:

- Read and understand instruction manual before using.
- Charge battery for 2 hours before first use.



## ⚠️ IMPORTANT SAFETY RULES

⚠️ **WARNING: Read and understand all instructions.** Failure to follow all instructions listed below may result in electric shock, fire and/or serious personal injury.

### SAVE THESE INSTRUCTIONS

#### Before Operating Pole Trimmer

- For safe operation, read and understand all instructions before using the Pole Trimmer. Follow all safety instructions. Failure to follow all safety instructions listed below, can result in serious personal injury.
- Watch what you are doing. Use common sense. Do not operate Pole Trimmer when you are tired.
- Only well-instructed adults should operate Pole Trimmer. Never allow children to operate.
- Do not use Pole Trimmer for any job except that for which it is intended.
- Do not allow children or untrained individuals to use this unit.
- Wear the following safety gear when operating Pole Trimmer:
  - heavy-duty gloves
  - substantial footwear
  - safety glasses, goggles or face screen that are marked to comply with ANSI Z87.1
  - face or dust mask (if working in dusty areas)
- Do not wear loose fitting clothing, or jewelry of any kind that could get caught in the moving blades or parts of the Pole Trimmer.
- Secure long hair so it is above shoulder level to prevent entanglement in any moving parts.

#### While Operating Pole Trimmer

- Stay alert. Use common sense while operating the unit.
- Keep work area clean. Cluttered areas invite injuries.
- Keep children, animals and bystanders at a safe distance away from Pole Trimmer. Only Pole Trimmer user should be in work area.
- Grip Pole Trimmer securely - one hand on the pole, the other on the handle.

- Keep finger off trigger until ready to use.
- Before starting Pole Trimmer, make sure blades are not touching anything.
- Keep all parts of body away from blades when Pole Trimmer is running.
- Carry Pole Trimmer from one place to another
  - with battery removed
  - by holding pole at balance point
  - with blades to rear and with scabbard attached
- Do not operate in poor lighting.
- Keep firm footing and balance. Do not overreach. Overreaching can result in loss of balance or exposure to sharp surfaces.
- Do not, under any circumstance, use any attachment or accessory on this product, which was not provided with the product, or identified as appropriate for use with this product in this Instruction Manual.

#### Do not operate Pole Trimmer:

- while under the influence of alcohol, medication, or drugs
- in rain or in damp or wet areas
- where highly flammable liquids or gases are present
- if Pole Trimmer is damaged, adjusted wrong, or not fully and securely assembled
- if trigger does not turn Pole Trimmer on and off. Blades must stop moving when you release trigger. Have faulty switch replaced by authorized service center. See “Service Information”.
- while in a hurry
- while in tree or on a ladder
- while on aerial booms, buckets or platforms
- during high wind or storming weather

#### General Safety Rules

- ⚠️ **WARNING: Shock Hazard.** To protect yourself from electrocution, do not operate within 10 feet (3 m) of overhead electrical lines. Failure to do this could result in severe personal injury.
- Keep the handles dry, clean, and free of oil.

• Make sure cutting blades have stopped before setting unit down.  
⚠ **DANGER: RISK OF CUT.** Keep hands away from blades. Keep both hands on handles when Pole Trimmer is on.

• DO NOT ATTEMPT to remove cut material or hold material to be cut when blades are moving. Disconnect battery when clearing jammed material from blades. Do not grasp the exposed cutting blades or cutting edges when picking up or holding the Pole Trimmer.

⚠ **CAUTION:** Blades coast after turn off.

• DON'T FORCE POLE TRIMMER - It will do the job better and with less likelihood of a risk of injury at the rate for which it was designed.

• DISCONNECT BATTERY from the Pole Trimmer when not in use or when servicing or cleaning.

• STORE IDLE POLE TRIMMER INDOORS - When not in use, Pole Trimmer should be stored indoors in a dry and high or locked-up place out of reach of children.

• MAINTAIN POLE TRIMMER WITH CARE - Keep cutting blades sharp and clean for best performance and to reduce the risk of injury. Keep handles dry, clean and free from oil and grease.

• CHECK DAMAGED PARTS - Before further use of the Pole Trimmer, a guard or other part that is damaged should be carefully checked to determine that it will operate properly and perform its intended function. Check for alignment of moving parts, binding of moving parts, breakage of parts, mounting and any other condition that may affect its operation. A guard or other part that is damaged should be properly repaired or replaced by an authorized service center unless otherwise indicated elsewhere in this manual.

## Service

- **Tool service must be performed only by qualified repair personnel.** Service or maintenance performed by unqualified personnel could result in a risk of injury. See "Service Information".
- **When servicing a tool, use only identical replacement parts. Follow instructions in the Maintenance section of this manual.** Use of unauthorized parts or failure to follow Maintenance Instructions may create a risk of electric shock or injury.

## ⚠ Specific Safety Rules

• **Hold tool by insulated gripping surfaces when performing an operation where the cutting tool may contact hidden wiring or its own cord.** Contact with a "live" wire will make exposed metal parts of the tool "live" and shock the operator.

⚠ **WARNING:** Some dust created by this product contains chemicals known to the State of California to cause cancer, birth defects or other reproductive harm. Some examples of these chemicals are:

- compounds in fertilizers
- compounds in insecticides, herbicides and pesticides
- arsenic and chromium from chemically treated lumber

To reduce your exposure to these chemicals, wear approved safety equipment such as dust masks that are specially designed to filter out microscopic particles.

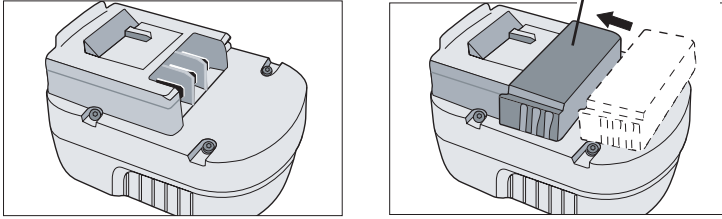
*The label on your tool may include the following symbols.*

V.....volts	A .....amperes
Hz.....hertz	W .....watts
min .....minutes	~ .....alternating current
==== .....direct current	n <sub>o</sub> .....no load speed
☐ .....Class II Construction	⊕ .....earthing terminal
⚠ .....safety alert symbol	.../min .....strokes per minute

**SAVE THESE INSTRUCTIONS**

## Battery Cap Information

Battery storage and carrying caps are provided for use whenever the battery is out of the tool or charger. Remove cap before placing battery in charger or tool.



**⚠ WARNING:** Do not store or carry battery so that metal objects can contact exposed battery terminals. For example, do not place battery in aprons, pockets, tool boxes, product kit boxes, drawers, etc. with loose nails, screws, keys, etc. without battery cap. Transporting batteries can possibly cause fires if the battery terminals inadvertently come in contact with conductive materials such as keys, coins, hand tools and the like. The US Department of Transportation Hazardous Material Regulations (HMR) actually prohibit transporting batteries in commerce or on airplanes (i.e. packed in suitcases and carryon luggage) UNLESS they are properly protected from short circuits. So when transporting individual batteries, make sure that the battery terminals are protected and well insulated from materials that could contact them and cause a short circuit.

## ⚠ Safety Warnings and Instructions: Charging

1. This manual contains important safety and operating instructions.
2. Before using battery charger, read all instructions and cautionary markings on (1) battery charger, (2) battery, and (3) product using battery.

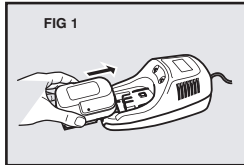
3. **⚠ CAUTION:** To reduce the risk of injury, charge only Black & Decker batteries. Other types of batteries may burst causing personal injury and damage.
4. Do not expose charger to rain or snow.
5. Use of an attachment not recommended or sold by Black & Decker may result in a risk of fire, electric shock, or injury to persons.
6. To reduce risk of damage to electric plug and cord, pull by plug rather than cord when disconnecting charger.
7. Make sure cord is located so that it will not be stepped on, tripped over, or otherwise subjected to damage or stress.
8. An extension cord should not be used unless absolutely necessary. Use of improper extension cord could result in a risk of fire, electric shock or electrocution.
  - a. An extension cord must have adequate wire size for safety, and to prevent loss of power and overheating. When using more than one extension to make up the total length, be sure each extension contains at least the minimum wire size
9. Use only the supplied charger when charging your tool. The use of any other charger could damage the tool or create a hazardous condition.

10. Use only one charger when charging.
11. Do not attempt to open the charger. There are no customer serviceable parts inside. Return to any authorized Black & Decker service center.
12. DO NOT incinerate the tool or battery packs even if they are severely damaged or completely worn out. The batteries can explode in a fire.
13. A small leakage of liquid from the battery cells may occur under extreme usage, charging or temperature conditions. This does not indicate a failure. However, if the outer seal is broken and this leakage gets on your skin:
  - a. Wash quickly with soap and water.
  - b. Neutralize with a mild acid such as lemon juice or vinegar.
  - c. If the battery liquid gets in your eyes, flush them with clean water for a minimum of 10 minutes and seek immediate medical attention. **MEDICAL NOTE:** The liquid is a 25-35% solution of potassium hydroxide.

## Charging the Battery

THE BATTERY IS NOT FULLY CHARGED AT THE FACTORY. BEFORE ATTEMPTING TO CHARGE THE BATTERY, THOROUGHLY READ ALL OF THE SAFETY INSTRUCTIONS. The charger is designed to use standard household 230volt 50 Hz power.

1. Plug the charger into any standard 230Volt 50 Hz electrical outlet. **NOTE: Do not charge by means of an engine generator or DC power source. Use only 230V AC.**
2. Slide the charger onto the battery as shown in **figure 1** and let the battery charge initially for 2 hours. After the initial charge, under normal usage, your battery should be fully charged in approx. 1 hour hours.
3. Unplug charger, and remove the battery.

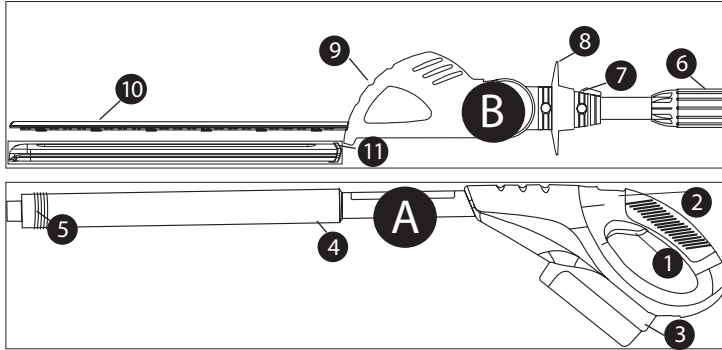


## Important Charging Notes

1. After normal usage, your battery should be fully charged in 1 to 2 hours. If the battery is run-down completely, it may take up to 2 hours to become fully charged. Your battery was sent from the factory not fully charged. Before attempting to use it, it must be charged for at least 2 hours.
2. DO NOT charge the battery in an air temperature below 40°F (4,5 °C) or above 105°F.(40,5 °C) This is important and will prevent serious damage to the battery. Longest life and best performance can be obtained if battery is charged when air temperature is about 75°F.(24°C).
3. While charging, the charger may hum and become warm to touch. This is a normal condition and does not indicate a problem.
4. If the battery does not charge properly—(1) Check current at receptacle by plugging in a lamp or other appliance. (2) Check to see if receptacle is connected to a light switch which turns power off when you turn out the lights. (3) Move charger and battery to a surrounding air temperature of 40°F (4,5 °C) to 105°F.(40,5 °C) (4) If the receptacle and temperature are OK, and you do not get proper charging, take or send the battery and charger to your local Black & Decker service center. See Tools Electric in yellow pages.
5. The battery should be recharged when it fails to produce sufficient power on jobs which were easily done previously. DO NOT CONTINUE using product with its battery in a depleted condition.
6. To prolong battery life, avoid leaving the battery on charge for extended periods of time (over 30 days without use). Although overcharging is not a safety concern, it can significantly reduce overall battery life.
7. The battery will reach optimum performance after being cycled 5 times during normal usage. There is no need to run the batteries down completely before recharging. Normal usage is the best method of discharging and recharging the batteries

## Features

Before using your Pole Trimmer familiarize yourself with all operating and safety features.

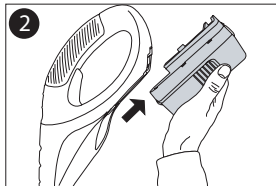


- A. Handle Module
- B. Trimmer Head Module
- 1. Trigger Switch
- 2. Lock Button
- 3. Battery
- 4. Foam Gripper
- 5. Threaded Pole
- 6. Threaded Sleeve

- 7. Locking Latch
- 8. Hand Guard
- 9. 5 Position Head
- 10. Trimmer Blade
- 11. Blade Sheath

## Transporting the Pole Trimmer

Always remove the battery from the handle (**figure 2**) and cover the blade with the blade sheath when transporting the Pole Trimmer. See page 4 for additional information on transporting the battery.

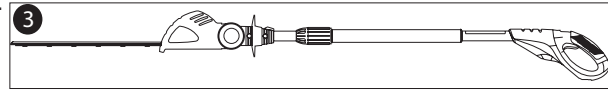


## Assembly

### Joining Trimmer Head Module to Handle Module

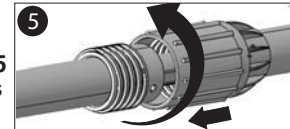
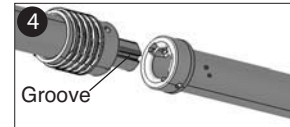
**⚠ WARNING: Sharp moving blade. To prevent accidental operation, insure that battery is disconnected from the handle and that the protective blade sheath is in place on the blade before performing the following operations.** Failure to do this could result in serious personal injury.

Combining the handle module (A) to the trimmer head module (B) creates a pole trimmer that is approximately 1.8m in length as shown in **figure 3**.



To attach the handle module to the trimmer head module:

1. Align the **groove** on the **outside** of the coupling end of the handle module (A) with the **tongue** on the **inside** of the coupling end of the trimmer head module (B). **See figure 4**. Push the two sections completely together.
2. Slide the threaded sleeve (6) **figure 5** on the trimmer head module down as far as possible and rotate the sleeve clockwise until it stops and completely covers the orange threads as shown in **figure 6**.



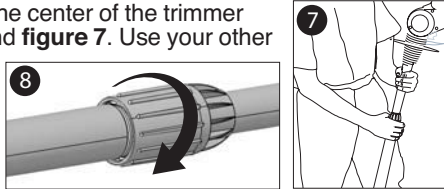
**⚠ WARNING: Always check to make sure that the sleeve is completely threaded on and that the orange threads are no longer visible.** Not threading the sleeve completely on could result in the modules becoming disconnected creating a hazardous condition. Periodically check the connections to insure that no orange threads are visible.

## Disassembly

### Detaching Trimmer Head Module

**⚠ WARNING: Sharp moving blade. To prevent accidental operation, insure that battery is disconnected from the handle and that the protective blade sheath is in place on the blade before performing the following operations.** Failure to do this could result in serious personal injury.

When detaching the modules rest the handle module on the ground and grasp the center of the trimmer head module with one hand **figure 7**. Use your other hand to loosen the threaded sleeve **figure 8** and then pull the two halves apart.

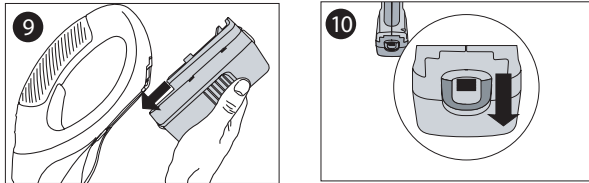


## Operating the Pole Trimmer

**⚠ WARNING: Read and understand all instructions.** Failure to follow all instructions listed below may result in electric shock, fire and/or serious personal injury.

### Connecting the Battery

Place the battery in the tool as shown in **figure 9** and be certain that it is inserted fully into the tool cavity until it "clicks" into place. To remove the battery from the tool, press down on the release button on the back of the battery (**figure 10**) and slide out.



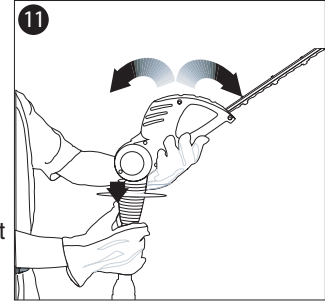
## Pivoting the Trimmer Head

The trimmer head pivots 180 degrees and can be locked into 5 different positions within that range. To avoid being pinched, wear gloves and hold unit as shown below.

Before connecting the battery to the unit, be sure the trimmer head is locked into position.

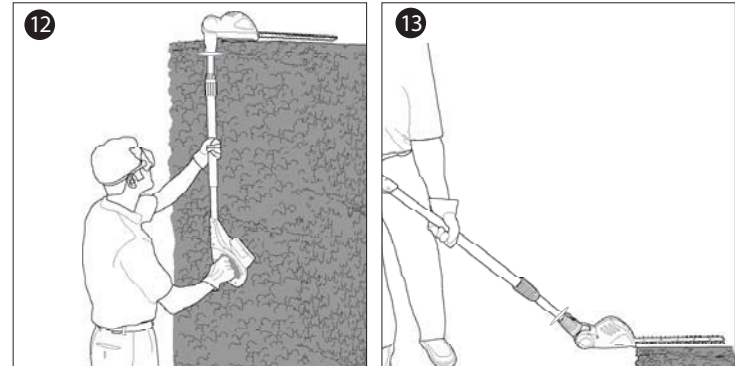
To pivot the trimmer head:

1. Press in on the locking latch (7) and raise the trimmer head as shown in **figure 11**.
2. Lock the trimmer head into any of the 5 positions. Check to make sure that the trimmer head is locked into position by trying to move the motor housing. If it is not locked, rotate it to the closest lock position.



## Operating Positions

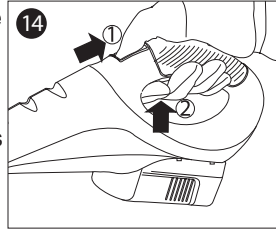
With its unique design the Pole Trimmer can be used to trim and shape hard to reach areas of hedges and bushes such as those shown in **figures 12 and 13**.





## Switch

Always be sure of your footing and grip the Pole Trimmer firmly with both hands with the thumb and fingers encircling the handle. To turn the tool ON pull the lock button (1) back with your thumb and then squeeze the trigger (2) with your fingers as shown in **figure 14**. (Once the tool is running you can release the lock button.) To turn the tool OFF, release the trigger.



## Trimming Instructions

- WORKING POSITION** - Maintain proper footing and balance and do not overreach. Wear safety goggles, non-skid footwear and gloves when trimming. Hold the tool firmly in both hands and turn the tool ON. Always hold the trimmer, as shown in the illustrations in this manual, with one hand on the switch handle and one hand on the pole. Never hold the tool by the hand guard.
- TRIMMING NEW GROWTH** - A wide, sweeping motion, feeding the blade teeth through the twigs is most effective. A slight downward tilt of the blade, in the direction of motion gives the best cutting. Do not cut stems greater than 3/8" (10mm). Use the trimmer only for cutting normal shrubbery around houses and buildings.
- LEVEL HEDGES** - To obtain exceptionally level hedges a piece of string can be stretched along the length of the hedge as a guide.
- SIDE-TRIMMING HEDGES** - Begin at the bottom and sweep up.  
**⚠ WARNING:** TO GUARD AGAINST INJURY, OBSERVE THE FOLLOWING:
  - **READ AND UNDERSTAND INSTRUCTION MANUAL BEFORE USING.**
  - **SAVE INSTRUCTION MANUAL.**
  - **KEEP HANDS AWAY FROM BLADES.**
  - **KEEP HANDS ON HANDLE AND POLE. DON'T OVERREACH.**
  - **BLADE COASTS AFTER TURN OFF.**
  - **DO NOT USE UNDER WET CONDITIONS.**

## Troubleshooting Section

If your Pole Trimmer does not operate correctly check the following:

### Problem

### Possible Cause

### Possible Solution

- |  |   |  |
|--|---|--|
| <ul style="list-style-type: none"><li>• Tool will not start.</li></ul>     | <ul style="list-style-type: none"><li>• Battery not installed properly.</li><li>• Battery not charged.</li><li>• Lock-out button not actuated.</li><li>• Pole connections not properly tightened.</li></ul> | <ul style="list-style-type: none"><li>• Check battery installation.</li><li>• Check battery charging requirements.</li><li>• Pull back on lock button/actuate trigger.</li><li>• Refer to instruction manual for pole connections.</li></ul> |
| <ul style="list-style-type: none"><li>• Battery will not charge.</li></ul> | <ul style="list-style-type: none"><li>• Battery not inserted into charger.</li></ul>  | <ul style="list-style-type: none"><li>• Insert battery into charger until red LED appears. Charge up to 2 hours if battery totally drained.</li></ul>  |



**IMPORTANT:** To assure product SAFETY and RELIABILITY, repairs, maintenance and adjustment should be performed by authorized service centers or other qualified service organizations, always using identical replacement parts.

### Accessories

⚠ **WARNING: DO NOT** use the Pole Trimmer with any type of accessory or attachment. Such usage might be hazardous.

## Maintenance

The cutting blades are made from high quality, hardened steel and with normal usage, they will not require resharpening. However, if you accidentally hit a wire fence, stones, glass or other hard objects, you may put a nick in the blade. There is no need to remove this nick as long as it does not interfere with the movement of the blade. If it does interfere, remove the battery from the unit and use a fine toothed file or sharpening stone to remove the nick.

If you drop the trimmer, carefully inspect it for damage. If the blade is bent, housing cracked, or if you see any other condition that may affect the trimmer's operation contact your local Black & Decker Service Center for repairs before putting it back into use.

Fertilizers and other garden chemicals contain agents which greatly accelerate the corrosion of metals. Do not store the tool on or adjacent to fertilizers or chemicals.

With the battery removed, use only mild soap and a damp cloth to clean the tool. Never let any liquid get inside the tool; never immerse any part of the tool into a liquid.

### SERVICE INFORMATION

All Black & Decker Service Centers are staffed with trained personnel to provide customers with efficient and reliable power tool service. Whether you need technical advice, repair, or genuine factory replacement parts, contact the Black & Decker location nearest you. To find your local service location, refer to the yellow page directory under "Tools—Electric" or call:

(AUS) 1800-654-155 or (NZ) 09 259 1111  
or visit [www.blackanddecker.com.au](http://www.blackanddecker.com.au)

## GUARANTEE

Black & Decker is confident of the quality of its products and offers an outstanding guarantee. This guarantee statement is in addition to and in no way prejudices your statutory rights. Your attention is drawn to the provisions of the Consumer Guarantee Act 1993 (New Zealand only), Trade Practices Act 1974 and State legislation (Australia only), which confers rights upon consumers. If a Black & Decker product becomes defective due to faulty materials, workmanship or lack of conformity, within 48 months from the date of purchase, Black & Decker guarantees to replace defective parts, repair products subjected to fair wear and tear or replace such products to ensure minimum inconvenience to the customer unless: The product has been used for trade, professional hire purposes; The product has been subjected to miss use or neglect; The product has sustained damage through foreign objects, substances or accidents; Repairs have been attempted by persons other than To claim on the guarantee, you will need to submit proof of purchase to the seller or an authorised repair agent. You can check the location of your nearest authorised repair agent by contacting your local Black & Decker office at the address indicated in this manual.

### Australia

Black & Decker (Australia) Pty. Ltd. 20  
Fletcher Road, Mooroolbark,  
Victoria, 3138  
Tel. 03-8720 5100  
Fax 03-9727 5940

### New Zealand

Black & Decker 5 Tea Punga Place  
Mt Wellington, Auckland, New Zealand  
Tel. 09 259 1111  
Fax 09 259 1122





