
English

Italiano

Deutsch

Français

Nederlands

Español

Português

Ελληνικά



Hover Mower GX530/GX635


User manual

Congratulations!

On your purchase of your Black & Decker hover lawnmower.

This user manual provides important operating and maintenance instructions for all of the hover mowers in the Black & Decker GX530/GX635 ranges.

Know your mower

 Read all of this manual carefully, observing all the recommended safety instructions before, during and after using your mower, and maintain your mower in good working order.

Familiarise yourself with the controls on your mower before attempting to operate it, but above all, be sure you know how to stop your mower in an emergency.

Retain this user manual and all other literature supplied with your mower for future reference.

Safety instructions

Training

- Never allow children or persons who are unfamiliar with this type of mower to use it, nor anyone who has not read this user manual.



Do not allow children, animals or other persons near your mower when in use - always keep them at least 6m (20ft) away from the cutting area.

- Remember that the operator is responsible for accidents or hazards occurring to other people or their property.
- Your mower is designed for use on AC (mains) electrical supplies only - do not attempt to use it on any other supply.
- Plug your mower into a power point - never a lighting socket.
- Never carry your mower by the cable or jerk the cable to separate the connectors. Keep the cable away from heat sources, oils or sharp edges. Check the condition of your cable before use and do not use if damaged.



Preparation

- To protect your feet, always wear stout shoes or boots - freshly cut grass is damp and slippery.
- Rubber or man-made footwear will enhance your safety.
- Do not operate your mower barefoot or in open sandals.
- Use protective equipment. Wear safety spectacles or goggles whilst operating your mower. Use ear protection if the sound level seems uncomfortable when using your mower.
- Use a face mask if dusty.
- Wear long trousers to protect your legs - any debris left on the lawn or cutting path may be picked up and ejected by the blades.
- The power supply cable should be regularly inspected for signs of damage or ageing, and only used if in good condition.



- Always keep the power supply cable away from the blades - be aware of its position at all times.
- Always be sure your mower is in a safe operating condition.
- Before using your mower, disconnect it from the electrical supply and visually check that the blade, blade nut and cutter assembly are not worn or damaged. A damaged blade or worn blade nut is a major hazard and must be replaced. Also check that the blade nut is securely fastened.
- Always check that your lawn or cutting path is clear of all sticks, stones, wire and other debris. Contact with such debris may be dangerous or may damage your mower and could be thrown by the blade.



Operation

- When tilting the handle downwards (or to the side) to start your mower, do not tilt it more than is absolutely necessary. Always ensure that both hands are in the operating position and feet are well away from the blades before returning your mower to the ground.



Your mower will continue to run for a short time after releasing the switch lever. Always allow your mower to stop on its own.

- Release the switch lever to turn your mower off and remove the plug from the mains:
 - Whenever you leave your mower unattended.
 - Before checking, cleaning, adjusting or working on your mower.
 - Before clearing a blockage.
 - If your mower starts to vibrate abnormally (check immediately).
 - After striking a foreign object, inspect your mower for damage and make repairs as necessary.
- Never run your mower whilst lying on its side or attempt to stop the blade - always allow it to stop on its own.
- Do not put hands or feet near or under rotating parts.
- Keep clear of discharge openings at all times.
- Start your mower carefully according to the instructions and with your feet well away from the blade.



- Do not use your mower in the rain and do not allow it to get wet. Avoid using your mower in wet grass, if possible.
- Use your mower only in daylight or good artificial light.
- Do not pull your mower towards you or walk backwards when in operation.
- Do not cross gravel paths or roads whilst the tines are rotating.
- Always be sure of your footing, particularly on slopes.
- Always cut across the face of slopes, never up and down. Exercise extreme caution when changing direction on slopes.
- Do not cut excessively steep slopes and always wear non-slip footwear.
- Check the grassbag (if supplied) for wear or damage and replace if necessary. Never use your mower without the grassbag in place.
- Walk, never run. Do not force your mower.
- Never pick up or carry your mower while the motor is running.
- Ensure the blade has stopped rotating and take extreme care before lifting your mower for and during transportation.

- Never operate your mower with defective guards or shields.

Maintenance and storage

- Store your mower in a dry place when not in use, out of the reach of children.
- Do not use solvents or cleaning fluids to clean your mower - use a blunt scraper to remove grass and dirt.
- Always disconnect from the electrical supply before cleaning.
- Do not operate your mower if any parts are defective; discard all defective parts and fit new parts before use.
- Keep all nuts, bolts and screws tight to be sure your mower is in a safe working condition.
- Use only Black & Decker recommended replacement parts and accessories.

Black & Decker's policy is one of continuous improvement to our products and, as such, we reserve the right to change product specifications without prior notice.

Double insulation



Your mower is double insulated. This means that all external metal parts are electrically isolated from the power supply. This is achieved by placing an extra insulation barrier between the electrical and mechanical parts. Double insulation means greater electrical safety and obviates the necessity of having your mower earthed.

Electrical safety (UK only)



Your mower should always be switched off at the mains before disconnecting any plug and socket connector or extension cables.

Fuse replacement

If your mower is supplied with cable fitted with a non-re-wireable plug:

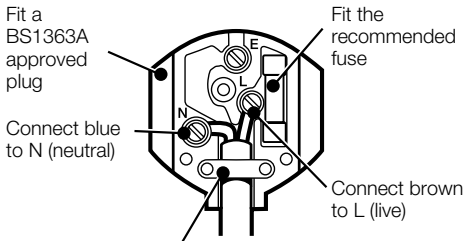
- The plug is fitted with a 13 amp fuse which is the recommended fuse for your mower.
- Only use replacement fuses which are approved to BS1362.

- When changing the fuse in your plug, always ensure the fuse cover is refitted. If the fuse cover is missing or damaged do not use the plug.

Note: Fuses do not give personal protection against electric shock.

Plug replacement

- Disconnect the plug from the supply.
- Cut off the plug and dispose of immediately. Insertion of a detached plug into a 13 amp socket outlet may result in electric shock.
- Only fit BS1363A approved plugs fitted with the correctly rated fuse.
- The cable wire colours, or a letter, will be marked at the connection points of most good quality plugs. Attach the wires to their respective points in the plug (see below). Brown is for "Live" (L) and blue is for "Neutral" (N).
- Before replacing the top cover of the mains plug ensure that the cable restraint is holding the outer sheath on the cable firmly and that the two leads are correctly fixed at the terminal screws.



Make sure that the outer sheath of the cable is held firmly by the clamp



240 volts AC only.
Never use a light socket



Warning! Never connect live or neutral wires to the earth pin marked "E" or \perp .

Note: Do not wire an extension cable directly into your mower yourself. Instead, take your mower to your nearest Black & Decker service agent.

Increased safety can be obtained by having a qualified electrician install a high sensitivity (30mA) circuit breaker in the house wiring. If you do not have such a circuit breaker installed, or you do not wish to have one installed, then we strongly recommend that the electrical power to your mower be supplied through a high sensitivity residual current device (RCD). The RCD is designed to provide a high degree of personal protection against harmful electric current should fault conditions occur.



Warning! The use of an RCD or other circuit breaker unit does not release the operator of your mower from the safety instructions and safe working practices given in this manual.

Handle assembly (Fig. B)

B

The handles of your mower have been fully assembled prior to delivery, but two minor operations are required in order to make your mower ready for use. They are as follows:

Wing nut reversal

- The assemblies (8, 9 & 10) which fix the upper handle (7) to the lower (6) have been assembled as shown in Fig. B1 to protect them during transit.
- We advise you to dismantle these items (Fig. B2) and re-assemble (Fig. B3), taking care not to trap the motor cable (12) between the handles in the process. This operation will assist in grassbox removal/refit.

Unfolding the upper handle

The upper handle (7) can now be unfolded into the position shown in Fig. A, and the wing nuts (8, 9 & 10) tightened **firmly**, taking care not to trap the motor cable (12) in the process.

Grassbox assembly (Fig. C)

C

- The grassbox (3 & 4) can now be withdrawn through the handle tube (6), and the grassbox door can be opened as indicated by the arrow.
- To refit the box, reverse the process using the arrow heads (shown in inset) to re-align the box into its correct position.

Finished mower check

Check your fully assembled mower now for any signs of damage or missing parts. The finished mower should look like Fig. A.

Cutter blade check (Fig. D)



D

Warning! Disconnect your mower from the electrical supply before checking the blade.

All manufactured mowers are checked prior to packing to ensure that the cutter blade (23) is secure, but for your safety we would advise you to re-check this by the following method:

- Remove the grassbox (3 & 4).
- Turn your mower over onto its side so that the underside of the cutter deck (1) is exposed.

- Using a cloth placed over the blade (23), grip the blade and, using the spanner provided (20), tighten the nut (21) in a clockwise direction.

Switchbox operation (Fig. E)

E We strongly recommend that prior to connecting your mower to the mains, you understand fully the switchbox operation. The operation is as follows:

To start your mower

- Grasp the handle (7) with both hands.
- Tilt your mower slightly to one side.

Note: Failure to do this may result in an unsightly ring being cut in your lawn.

- Remove your left hand from the handle (7) and depress the lock-off button (15).
- Whilst this button is depressed, grasp the switchbox lever (14) with your right hand and squeeze towards the handle (7).
- Your mower will now operate.
- Release the lock-off button (15) and return your left hand to the handle tube.

Note: If the lock-off button (15) is not depressed in the order above, your mower will not operate and the lever (14) will not engage with the switch. **This is a safety feature!**

To stop your mower

- Tilt your mower slightly to one side.

Note: Failure to do this may result in an unsightly ring being cut in your lawn.

- Release the switchbox lever (14).
- When your mower has stopped rotating, lower it back onto the lawn.

Handle operation (Fig. F)

F The normal operating range of the handle is shown in Fig. F, as angle F1. This should enable a comfortable working position to be achieved.

If you wish to store your mower by hanging it on the wall (angle F2), proceed as follows:

- Disconnect it from the mains.
- Remove the grassbox.
- Lower the handle to the bottom of its normal range, then pull the handle towards you and lower it to the ground. (Do not drop the handle as it may damage the switchbox.)

Your mower can now be lifted and stored on the wall if required.

Height of cut adjustment (Fig. D & G)

G The cut height of your mower is adjusted by means of blade spacers (22 & 24). The method for this operation is as follows:

- Ensure your mower is disconnected from the mains supply.
- Turn your mower onto its side so that the underside of the cutter deck (1) is exposed.
- Using a cloth placed over the blade (23), grip the blade and, using the spanner provided (20), undo the nut (21) in an anti-clockwise direction.
- Remove the blade nut, spacers and blade (21-24) and re-assemble to give the cut height required. See Fig. G, showing the 6 cut heights available.

D Once the cut height is selected, re-assemble the blade, ensuring the cutter blade (23) is assembled with the cutting tips downwards as shown in Fig. D.

- Ensure the blade nut (21) is tight.

Note: Your mower is supplied with a cut height of 11mm (Fig. G).

- Always re-fit 3 spacers and never fit more or your mower will become unsafe.

Carrying your mower (Fig. H)

H Disconnect your mower from the mains. Remove the grassbox, lower the handle to the flat "park" position and then, holding one handle near the pivot block and carry with the blade pointing away from you.

How to use your mower (Fig. J)



Observe all of the relevant warnings when using your mower.

We recommend the directional method of operation to obtain maximum cutting performance from your mower and to reduce the risk of the trailing extension lead from entering the cutting path.

- Place the bulk of the extension cable on the lawn close to the starting point (Fig. J, position 1).
- Hold the handle assembly with both hands.

Your switch box incorporates a cable restraint. To fix the cable to the restraint, proceed as follows:

- Bring the socket end of the extension cable from behind and connect it to your mower plug.
- Form a loop on your extension cable close to the coupler (Fig. E).
- Push the loop through the slot from the opposite side of the restraint hook, position the loop over the hook and pull the cable back through the slot. Your cable will now be restrained.
- The extension cable should now fall away from your mower and behind the operator, ready for use.



Warning! Do not attempt to operate your mower with one hand - you must guide it with both hands.

- Lift the handle up to release it from the park position.
- Proceed down the cutting area as shown in Fig. Ja, working from position 1 towards position 2 and, on reaching position 2, turn to the right and proceed towards position 3. Continue to the end of the cutting area, turn to the left, and proceed towards position 4. Continue in the same manner as shown in Fig. Ja, always working away from the cable. Do not adopt the method shown in Fig. Jb, working towards the cable, as this can be dangerous.
- For best grass pick-up, push your mower in straight lines.

Your mower will continue to operate whilst you are pressing the switch lever. If you release it for any reason you will not be able to press it again until you have pressed the safety lock-off button on the switch box. This feature prevents accidental restart.

When you have finished using your mower we recommend that you clean all debris from it before putting it away. Refer to the "Care and maintenance" section.

Note: To obtain the best results cut your lawn or grassed area regularly and do not cut when the grass is wet.

Overload protection (GX635 only)

Your mower is fitted with overload protection. The reset button (25) can be found on the switch box (Fig. A).

If you work too quickly in long grass, or in heavy cutting conditions, you may overload the motor. This will be indicated by a significant drop in speed, and eventually the overload protection will operate. This is not a fault but a safety device to protect your mower.

When this occurs, release the switch and wait for 2 to 3 minutes to allow the motor to cool, then press the reset button (25) and restart by operating the switch lever and lock-off button.

If the cut-out operates again within 10 minutes you should increase the height of cut (see "Height of cut adjustment") and walk more slowly.

Severe overloading may result in a longer delay on restarting. In such cases, after resetting, you should allow the motor to cool.

Blade maintenance

The steel blade is designed to give a fine finish in long or tough grass. The blade will continue to cut even when it has become blunt or burred. There is no need for it to be razor sharp.

If, however, because of damage or wear the cutting performance deteriorates, then your mower may require a new blade, or at least the existing blade to be sharpened.

We recommend that the steel blade is sharpened or a new blade fitted at the beginning of each season.

Replacement blades (cat. no. A6184) are available from Black & Decker service agents.



Warning! When fitting a new blade use only the Black & Decker replacement part specified for your mower - do not attempt to fit any other blade.

Fitting a new blade



Observe all the relevant warnings before changing blades.

Details on the fitment of new steel blades are given in "Cut height adjustment".

Handy hints

- Before starting your mower on grass always tilt it to one side slightly and allow it to run up to maximum speed before commencing to cut the grass. This will maximise the hover effect and will prevent the blades from digging into the grass.

- On long grass, above 10cm (4 inches), use two cuts to get a close finish. We recommend that the first cut should be taken with the blade set at maximum height of cut and the second taken with it set at medium or close. This will prove to be easier and give a better overall finish to your lawn.

Care and maintenance

The advice given in this section covers the general care and maintenance of the main body of your mower. Advice relating to the blades is given in "Maintenance of blades".



Warning! Do not use an extension cable which shows signs of damage. Fit a new cable completely - do not make any permanent or temporary repairs.

- Always keep your mower clean and free from grass cuttings, especially the underside of the cutter cover and the air vents.
- Check all electrical cables at regular intervals, looking for signs of wear, abrasion or other damage.
- At the end of each cutting session we recommend that the build up of grass on the underside of the cutter cover is removed using a blunt scraper or the spanner supplied.
- Remove grass cuttings from the slot between the pivot block flanges.
- Clean all plastic components with a damp cloth.

Caution: Do not use solvents or cleaning fluids as these may damage the plastic components of your mower.

Fault finding

If your mower does not operate correctly, use the following table to locate the problem.



Warning! Always disconnect your mower from the electrical supply before carrying out any inspection.

Symptoms	Possible cause	Remedy
Motor buzzes but blade does not move.	Blade jammed.	Disconnect from the electrical supply. Remove the obstruction from the blade.
No noise and the blade does not move.	Faulty electrical connection.	Disconnect from the electrical supply.

Symptoms	Possible cause	Remedy
No noise and the blade does not move.	Faulty electrical connection.	Plug your mower into an alternative compatible electrical supply. Check if a new fuse is required. Re-tighten and check all electrical connections in the extension cables.
	Overload cut-out operates.	Reset overload cut-out.
Grass not being picked up.	The grassbox is full.	Empty the grassbox.
	The pickup inlet in the grassbox is blocked.	Remove grassbox and clear the hole in the base.
	Air paths are blocked.	Remove grassbox and clear the filter in the roof of the grassbox. Also clean the filter on the back of your mower.
	The cut height is too low in long grass.	Disconnect from the electrical supply. Reset the blade height to a higher position.
	Your mower is being moved side to side.	Push your mower in a straight line to maximise pick up.
Motor stalled.	The motor is overloading in long, thick grass.	Disconnect from the electrical supply. Reset the blade height to a higher position.
Poor cutting performance.	Blade damaged due to impact on large stones, tree stumps, paving stones or similar objects.	Disconnect from the electrical supply. Check the blade for damage. Replace with a new blade, if necessary.

What to do if your mower needs repair

For after sales service please refer to the section 'Lawnmowers & Garden' within your local Yellow Pages.

Unwanted products and the environment



Should you find one day that your mower needs replacement, or is of no further use to you, think of the protection of the environment. Black & Decker service agents will accept your old mower and will dispose of it in an environmentally safe way.

Black & Decker lawn and garden guarantee

This guarantee provides 36 months parts cover and 12 months labour (UK), 24 months parts cover and labour (Australia and New Zealand).

In all cases proof of purchase will be required.

If your Black & Decker mower becomes defective, within the guarantee period, due to faulty materials and workmanship, we guarantee to either replace all defective parts, or at our discretion, replace your mower free of charge, provided that:

- Your mower is returned to one of our authorised repair agents with evidence of purchase.
- Your mower has been used within the parameters of its consumer classification.
- Your mower has not been used for hire purposes.
- Repairs have not been attempted by anyone other than our authorised repair agents.
- The failure represents normal wear and tear.

This guarantee is offered as an extra benefit and is additional to your statutory rights.

Our guarantee policy

Failures due to the following are not covered:

- Replacing worn or damaged blades, nylon line and chains, or cables damaged during storage or use. These are regarded as replacement items which wear during normal usage.
- Failures as a result of sudden impact or obvious abuse.

- Failures due to usage not in accordance with instructions and recommendations contained in this manual.

The use of other than genuine Black & Decker accessories and parts may damage or reduce the performance of your Black & Decker mower and may render the guarantee void.

Black & Decker after sales service (UK, Australia and New Zealand only)

Black & Decker offers a nationwide network of authorised service agents. The use of other than genuine Black & Decker accessories and parts may damage or reduce the performance of your Black & Decker product and may also endanger the user. The terms and conditions of the warranty may also be effected.

It is our aim that all Black & Decker customers should be totally satisfied with their Black & Decker product and after sales service, if help or advice is needed please contact a local Black & Decker authorised repair agent who will be happy to help. Full details of our after sales service can be obtained from any of our Black & Decker authorised repair agents.

Other Black & Decker products (UK only)

Black & Decker has a full range of outdoor power tools that make life easy in the garden. If you would like further information on other products, please contact the Black & Decker Service Information Centre at the address towards the back of this manual, or contact your Black & Decker stockist.

Lawnmowers

Chainsaws

Compost shredders

Blade trimmers

Cordless trimmers

Cordless shears

String trimmers

Lawnrakers

Leafbusters

Cordless brooms

Cordless shrubbers

Hedgetrimmers

EC Declaration of Conformity

We declare that units:

GX530, GX635

conform to: 89/392/EEC, 89/336/EEC,
73/23/EEC, EN60335, EN55104, EN55014

A weighted sound pressure 96dB (A)

A weighted sound power 109dB (A)

Hand/arm weighted vibration <2.5m/s²

A handwritten signature in black ink that reads 'Brian Cooke'.

Brian Cooke

Director of Engineering
Black & Decker Ltd, Spennymoor, County Durham
DL16 6JG, United Kingdom


Tagliaerba GX530/GX635

Manuale d'istruzioni

Introduzione

Questo manuale fornisce le istruzioni per operare e per fare la manutenzione di tutti i tagliaerba Black & Decker della gamma GX530/GX635.

Imparare a conoscere la macchina

 Leggere attentamente tutto il manuale di istruzioni e osservare tutte le precauzioni di sicurezza (avvertenze) prima, durante e dopo l'utilizzo dell'utensile e mantenerlo sempre in buone condizioni d'utilizzo.

Familiarizzare con tutti i comandi dell'utensile prima di iniziare ad usarlo, ma soprattutto assicurarsi di sapere come spegnerlo in caso di emergenza.

Conservare questo manuale e tutti i depliant forniti per ogni riferimento futuro.

Norme di sicurezza

Istruzione

- Non lasciare mai che l'apparecchio venga utilizzato da bambini o persone che non abbiano dimestichezza con lo stesso e che non abbiano letto le istruzioni.




Non permettere a bambini, animali o altre persone di stazionare nelle vicinanze dell'apparecchio in uso - tenerli sempre a una distanza minima di 6m dalla zona di taglio.

- Ricordarsi che l'operatore/utente è responsabile dei pericoli o danni arrecati a persone o a cose di loro proprietà.
- L'apparecchio è previsto per essere utilizzato solo con un'alimentazione (rete elettrica) a corrente alternata. Non utilizzare fonti di alimentazione diverse.
- Inserire la spina in una presa di alimentazione
- Non trascinare mai l'apparecchio tirandolo per il cavo né strappare quest'ultimo per staccare i connettori. Tenere il cavo lontano da fonti di calore, olii od oggetti con spigoli taglienti. Verificare le condizioni e non impiegarlo se risulta danneggiato.



Preparazione

- Per proteggere i piedi indossare sempre scarpe o stivali resistenti - l'erba tagliata di fresco è umida e scivolosa.
-  Impiegare dispositivi di protezione individuale. Indossare occhiali di sicurezza durante l'uso dell'apparecchio.
- Indossare una mascherina protettiva se si genera pulviscolo.
- Indossare protezioni per le orecchie se, durante l'uso dell'apparecchio, la rumorosità raggiunge un livello fastidioso.
- L'operatore non deve azionare l'apparecchio a piedi nudi o con sandali aperti.
- Indossare pantaloni lunghi per proteggere le gambe; i detriti rimasti sul prato o nella zona di taglio possono venire raccolti e scagliati dalle lame.
- Controllare regolarmente il cavo di alimentazione per identificare eventuali segni di danni o usura, e impiegarlo soltanto se in buone condizioni.
- Tenere sempre il cavo di alimentazione a distanza dalle lame - e controllarne la posizione ogni volta.
- Accertarsi che l'apparecchio funzioni sempre in buone condizioni di sicurezza.
- Prima di usare l'utensile disinnestarlo dalla rete elettrica e controllare la lama e le parti ruotanti per verificare la presenza di eventuali segni di danni o di logorio. Una lama danneggiata e dei bulloni allentati costituiscono elementi di pericolo. Verificare anche che la lama sia ben fissata. Controllare frequentemente che tutte le viti e i bulloni siano ben stretti.
- Controllare sempre che nel prato o nella zona di taglio non vi siano ramoscelli, pietre, filo e altri detriti. Le lame potrebbero proiettarli all'esterno creando una situazione pericolosa o danneggiando l'apparecchio.



Funzionamento

- Quando per l'avviamento si inclina il manico verso il basso o a lato, non compiere movimenti più ampi del necessario. Accertarsi sempre che entrambe le mani si trovino nella posizione

giusta per l'uso e che i piedi siano ben lontani dalle lame prima di rimettere in posizione l'apparecchio.



Dopo aver sbloccato la leva di comando l'apparecchio continuerà a funzionare per breve tempo. Aspettare che si fermi da solo.

- Per spegnere l'apparecchio sbloccare la leva di comando e staccare la spina dalla presa di rete:
 - Quando si lascia l'apparecchio incustodito.
 - Prima di effettuare operazioni di controllo, pulizia, regolazione e intervento sull'apparecchio.
 - Prima di togliere un'ostruzione.
 - Se l'apparecchio inizia a vibrare in modo anormale (effettuare un controllo immediato).
 - Dopo aver colpito un corpo estraneo. Controllare eventuali danni all'apparecchio ed effettuare le riparazioni necessarie.
- Non azionare l'apparecchio appoggiato su un lato né tentare di arrestare la lama - aspettare sempre che si fermi da solo.
- Non avvicinare le mani o i piedi né metterli sotto le parti rotanti.
- Tenersi sempre a distanza dalle aperture di scarico.
- Avviare l'apparecchio con attenzione seguendo le istruzioni e tenendo i piedi a debita distanza dalle lame.
- Non usare l'apparecchio quando piove o in presenza di umidità né, se possibile, sull'erba bagnata.
- Usare l'apparecchio solo di giorno o in presenza di una buona illuminazione artificiale.
- Non tirare verso di sé l'apparecchio né camminare all'indietro durante l'uso.
- Non attraversare mai sentieri di ghiaia o strade durante la rotazione dei denti del rastrello.
- Controllare la sicurezza dei propri punti d'appoggio, soprattutto sui pendii.
- Tagliare sempre in direzione trasversale rispetto al pendio, mai in verticale. Cambiare direzione in pendenza con estrema cautela.
- Non tagliare su pendii troppo ripidi e indossare sempre calzature anti-scivolo.



- Non sollevare o trasportare l'apparecchio con il motore in funzione. Quando si procede a tale operazione accertarsi che le lame abbiano smesso di ruotare.
- Per il trasporto sollevare l'unità con estrema cautela.
- Non utilizzare mai l'apparecchio con protezioni difettose.

Manutenzione e conservazione

- Riponetela macchina non in uso in un luogo asciutto e lontano dalla portata dei bambini.
- Non usate solventi o altre sostanze chimiche per pulire l'utensile - usate un raschietto non appuntito per rimuovere erba e detriti. Disinserite sempre la spina dalla presa di alimentazione prima di procedere alla pulizia dell'utensile.
- Non utilizzate la macchina con parti difettose. Sostituite sempre le parti difettose prima dell'uso.
- Controllate che tutti i dadi e le viti siano sempre serrati, per essere sicuri che l'utensile sia in condizioni efficienti.
- Usate solo parti ed accessori originali Black & Decker.

Black & Decker si pone l'obiettivo di migliorare costantemente i suoi prodotti e, a tale scopo, si riserva il diritto di modificarne le specifiche senza preavviso.

Doppio isolamento



L'apparecchio è dotato di un doppio isolamento. In altre parole una barriera supplementare, collocata tra i componenti elettrici e quelli meccanici, isola elettricamente dall'alimentazione tutti i particolari metallici esterni. Il doppio isolamento offre una maggiore sicurezza elettrica rendendo superfluo il collegamento a terra dell'apparecchio.

Sicurezza elettrica



Spegnere sempre l'apparecchio dalla rete prima di staccare qualsiasi spina, presa o prolunga.

Per aumentare ulteriormente la sicurezza far installare da un elettricista specializzato un interruttore ad alta sensibilità (30mA) nell'impianto domestico.

Se non si desidera tale installazione, oppure non è stata effettuata, si consiglia caldamente di alimentare l'apparecchio mediante un dispositivo per corrente residua

ad alta sensibilità (RCD), ideato per fornire un elevato grado di protezione personale contro gli effetti indesiderati della corrente elettrica in caso di guasti.



Avvertenza! L'impiego del RCD o di altri dispositivi interruttori non esenta l'operatore dall'osservare le istruzioni di sicurezza e le norme per il funzionamento sicuro contenute nel presente manuale.

Sottoassieme impugnatura (Fig. B)

B

Le impugnature di questa macchina sono state montate prima della spedizione, per il completamento del montaggio sono necessarie due semplici operazioni:

Rovesciate la posizione del galletto

- I particolari (8, 9, e 10) che fissano la parte superiore dell'impugnatura (7) a quella inferiore (6) sono stati montati come mostra la figura B1 per proteggerli durante il trasporto.
- Vi consigliamo di smontare questi componenti (Fig. B2) e ri-montarli come mostra la Fig. B3, facendo attenzione a non intrappolare il cavo elettrico (12) nei gusci dell'impugnatura.

Posizionamento parte superiore dell'impugnatura

L'impugnatura superiore (7) può ora essere portata nella posizione illustrata dalla Fig. A ed i galletti 8, 9 e 10 fissati saldamente.

Montaggio-smontaggio del sacchetto portaerba (Fig. C)

C

- Il sacchetto (3, 4) può ora essere infilato sui tubi impugnatura (6) e può essere aperto nel senso indicato dalla freccia.
- Per rimontare il sacchetto, utilizzate il procedimento inverso utilizzando le frecce per allineare il sacchetto nella sua corretta posizione.

Controllo del prodotto finito

Controllate ora la macchina dopo averla completamente montata e verificate che non vi siano parti mancanti o erroneamente montate. Il prodotto finito deve essere uguale a quello mostrato dalla Fig. A.

Controllo della lama (Fig. D)



Attenzione! Disconnettere sempre il tosaerba dalla rete elettrica prima di procedere a qualsiasi ispezione.

D

Tutti i componenti vengono controllati prima della spedizione per accertarsi che le lame (23) siano sicure. Per la vostra sicurezza vi consigliamo comunque di eseguire i seguenti controlli:

- Rimuovete il sacchetto (3, 4).
- Inclinate la macchina su di un lato in modo da esporre il lato inferiore del coprilama (1).
- Impugnate la lama proteggendovi le mani con un panno pesante e, utilizzando la chiave di servizio (20) stringete il dado (21) in senso orario.

Utilizzo dell'interruttore (Fig. E)

E

Prima di collegare la macchina alla rete elettrica vi consigliamo di familiarizzare con le funzioni dell'interruttore:

Per accendere la macchina

- Impugnate la macchina con entrambe le mani sull'impugnatura (7).
- Inclinate leggermente la macchina su di un lato.

Nota: Non inclinando la macchina potreste inavvertitamente tagliare un cerchio di erba nel vostro giardino.

- Rilasciate la mano sinistra e premete il pulsante sblocca-interruttore (15).
- Tenendo premuto il pulsante impugnate la leva interruttore (14) con la mano destra e stringete verso l'impugnatura.
- La macchina si mette così in funzione.
- Rilasciate il pulsante (15) e riportate la mano sinistra sull'impugnatura.

Nota: Se non premete il pulsante (15) come sopra descritto, non sarete in grado di stringere la leva interruttore e quindi di mettere in funzione la macchina. Non è un difetto, **è una misura di sicurezza!**

Per fermare la macchina

- Inclinatela leggermente su di un lato.
- Rilasciate la leva interruttore (14).
- Quando la lama ha smesso di ruotare, riappoggiate la macchina alla superficie.

Utilizzo dell'impugnatura (Fig. F)

F La figura F illustra il corretto funzionamento dell'impugnatura. Le varie posizioni dovrebbero consentire un comodo utilizzo della macchina.

Se desiderate riporre la macchina appendendola ad una parete (posizione F2) procedete come segue:

- Scollegate la spina dalla presa.
- Smontate il sacchetto.
- Abbassate l'impugnatura fino in fondo tirandola poi verso di voi ed abbassandola fino al terreno. (appoggiatela non gettatela in quanto potreste danneggiare l'interruttore). La vostra macchina è pronta per essere appesa alla parete.

Regolazione della altezza di taglio (Fig. D & G)

G L'altezza di taglio viene regolata mediante distanziatori (22 e 24). Il metodo da seguire è il seguente:

- Assicuratevi che la macchina sia scollegata dalla rete elettrica.
- Ponete la macchina su di un lato così che il lato inferiore del coprilama sia esposto (1).
- Impugnate la lama proteggendovi con un panno spesso e usando la chiave di servizio (20) allentate il dado (21) in senso anti-orario.
- Rimuovete il dado, i distanziatori e la lama (21-24) e rimontateli fissando l'altezza di taglio desiderata. Vedi Fig. G la quale illustra le 6 altezze di taglio ottenibili.

- D**
- Dopo avere fissato l'altezza, rimontate la lama (23) con i vertici di taglio verso il basso come mostra la Fig. D.
 - Stringete bene il dado (21).

Note: Che la macchina viene fornita con una altezza di taglio regolata a 11mm (Fig. G).

- Usate sempre 3 distanziatori e non di più.

Trasporto della macchina (Fig. H)

H Scollegate la macchina dalla rete elettrica. Smontate il sacchetto, portate l'impugnatura nella posizione bassa di "parcheggio" dopo di che procedete al trasporto tenendo le lame sul lato lontano da voi.

Come utilizzare la vostra macchina (Fig. J)



Osservate tutte le norme antinfortunistiche prima di usare la vostra macchina.

Vi consigliamo di procedere al taglio come mostra la Fig. J per ottenere le migliori prestazioni e per ridurre il rischio che il cavo elettrico attraversi il percorso di lavoro.

- Ponete la matassa del cavo di prolunga vicino al punto di partenza del lavoro (Fig. J pos. 1).
- Guidate la macchina con entrambe le mani sull'impugnatura.

L'interruttore è dotato di serracavo.

Per collegare il cavo al serracavo:

- Portate da dietro la presa del cavo prolunga e collegatela alla spina del tosaerba.
- Formate un anello sul cavo di prolunga vicino all'asola (Fig. E).
- Inserite l'anello di cavo nella fessura dal lato opposto del gancio serracavo. Posizionate l'anello sopra al gancio e riportate il cavo attraverso la fessura. Il cavo sarà ora perfettamente serrato.
- Il cavo deve ora essere mantenuto lontano dal tosaerba dietro all'operatore, pronto all'uso.



Attenzione! Non tentate mai di guidare la macchina con una sola mano. Entrambe le mani devono stare sull'impugnatura.

- Sollevate l'impugnatura per sbloccarla dalla posizione di "parcheggio".
- Procedete al taglio come mostra la Fig. Ja partendo dalla posizione 1 verso la 2 e una volta raggiunta girate a destra e raggiungete la pos. 3. Continuate fino alla fine dell'area da tosare, girate a sinistra e raggiungete la pos. 4. Continuate nel modo illustrato in Fig. Ja. Non adottate il sistema mostrato in Fig. Jb in quanto può essere pericoloso.

La macchina funzionerà fino a che terrete premuta la leva interruttore. Se per qualsiasi motivo dovete rilasciarla non sarete in grado di riprenderla fino a che non avrete sbloccato il pulsante blocca-interruttore. Questo vi eviterà delle accensioni involontarie.

Una volta terminato il lavoro, vi consigliamo di rimuovere dalla macchina tutti i detriti prima di riporla. Fate riferimento alla sezione "Cura e Manutenzione".

Nota: Per ottenere i risultati migliori, tosate il vostro giardino regolarmente e non lavorate quando l'erba è bagnata.

Protezione da sovraccarico (GX635)

La vostra macchina è dotata di una protezione da sovraccarico. Il pulsante di ripristino è collocato sulla scatola interruttore (vedi 25 Fig. A).

Se procedete troppo velocemente in erba alta, o in condizioni di taglio estreme, potrete sovraccaricare il motore. Il primo sintomo sarà una sensibile riduzione della velocità di rotazione in questo caso è possibile che intervenga la protezione tagliando il flusso di energia elettrica. Non si tratta di un difetto ma di una protezione per la vostra macchina.

Nel caso ciò accadesse, rilasciate l'interruttore e attendete 2 o 3 minuti lasciando raffreddare il motore, premete poi il pulsante di reset (25) e ripartite con il lavoro.

Se la protezione dovesse intervenire di nuovo nel giro di 10 minuti è consigliabile ridurre l'altezza di taglio.

Un forte sovraccarico richiederà più tempo per raffreddare il motore e quindi ripartire a lavorare.

Manutenzione della lama

Le lame in acciaio sono disegnate per dare buona finitura su erba alta o dura. La lama continuerà a tagliare anche una volta perso il filo. Non è necessario che sia affilatissima.

Ma nel caso che le prestazioni siano sensibilmente ridotte dalle cattive condizioni della lama allora è consigliabile procedere alla sostituzione o riaffilatura delle lame.

Consigliamo di riaffilare o sostituire la lama in acciaio all'inizio di ogni stagione.

Le lame sono disponibili presso rivenditori e filiali di assistenza Black & Decker.



Attenzione! Utilizzare solo lame e parti Black & Decker specificate per il vostro modello - non montare mai altre lame.

Montaggio lame



Seguite le norme di sicurezza prima di sostituire la lama.

I dettagli sul montaggio sono contenuti nel paragrafo "Regolazione altezza di taglio".

Consigli e suggerimenti

- Prima di appoggiare la macchina alla superficie da tagliare, inclinatela su di un lato e lasciate che la lama raggiunga la piena velocità di rotazione.
- Nel caso l'erba fosse più lunga di 10cm, effettuate due passate per raggiungere la finitura. Vi consigliamo di effettuare la prima passata molto alta e la seconda invece alla altezza finale desiderata.

Cura e manutenzione

Le note contenute in questo capitolo si riferiscono alla cura generale del vostro tagliaerba.



Attenzione! Non usare prolunghe che mostrino segni di deterioramento - sostituire sempre il cavo completo non effettuare mai riparazione temporanee o permanenti.

- Tenere sempre pulito l'utensile e libero da detriti, in particolare la parte inferiore del copri lama (2) e le scanalature di ventilazione (35). Vedi Fig. A per identificare queste aree.
- Controllare regolarmente tutti i cavi elettrici.
- Al termine di ogni sessione di taglio, rimuovere con una spatola i rimasugli di erba attaccati sotto al tosaerba.
- Pulire tutti i componenti in plastica con un panno umido.

Attenzione: Non usare solventi o altri fluidi in quanto potrebbero danneggiare le parti in plastica dell'utensile.

Per individuare eventuali guasti

Se l'utensile non lavora bene, usare la seguente tabella per identificare il problema.



Attenzione! Disconnettere sempre il tosaerba dalla rete elettrica prima di procedere a qualsiasi ispezione.

Sintomi	Possibili cause	Rimedi
Il motore gira ma la lama non si muove.	La lama è bloccata.	Disinnestare l'utensile dalla rete elettrica. Togliere ciò che blocca la lama.
Il motore non gira e le lame non si muovono.	Il collegamento elettrico è difettoso.	Disinnestare l'utensile dalla rete elettrica. Inserire la spina in una presa diversa. Inserire un nuovo fusibile. Riavvitare e controllare tutti i collegamenti elettrici del cavo e della prolunga.

Sintomi	Possibili cause	Rimedi
L'erba non viene raccolta.	Sacchetto pieno. L'ingresso nel sacchetto è ostruito. Circuito aria ostruito.	Va svuotato. Rimuovete il sacchetto e pulite l'ingresso dell'erba. Rimuovete il sacchetto e pulite il filtro sulla parte superiore. Pulite anche il filtro sul retro della macchina.
	L'altezza di taglio è troppo bassa per l'erba alta.	Disinserite l'utensile dalla rete elettrica. Portate l'altezza di taglio verso una posizione più alta. Spingete il tagliaerba in linea retta per ottimizzare la raccolta.
	Il vostro tagliaerba è stato spinto lateralmente.	
Il motore si è fermato.	Il motore è sovraccarico per l'erba alta e spessa.	Disinserite l'utensile dalla rete elettrica. Portate l'altezza di taglio verso una posizione più alta.
Scarsa capacità di taglio.	Lama danneggiata per l'impatto con grosse pietre, ceppi di albero pietre per pavimentazione, o oggetti simili.	Disinserite l'utensile dalla rete elettrica. Controllate che la lama non sia danneggiata. Se è necessario installate una lama nuova.

Cosa fare se il vostro tosaerba necessita di una riparazione

Informazioni su come e dove portare il vostro utensile per la riparazione sono fornite sulla carta di garanzia. Si consiglia di conservare la carta di garanzia e il manuale d'istruzioni in un luogo sicuro.

Prodotti indesiderati e tutela dell'ambiente



Se, in futuro, il prodotto dovesse necessitare di sostituzione o non venisse più utilizzato, la tutela dell'ambiente deve rimanere comunque un obiettivo fondamentale. I centri di assistenza Black & Decker ritireranno i prodotti usati smaltendoli in modo sicuro dal punto di vista ecologico.

Garanzia sui prodotti per giardino Black & Decker

La presente garanzia fornisce una copertura di 24 mesi sui materiali e di 12 mesi sulla manodopera. È necessaria una prova di acquisto.

Se il vostro utensile Black & Decker presenta difetti nel periodo di garanzia dovuti a materiali difettosi o a errori di manodopera, noi garantiamo la sostituzione delle parti difettose o, a nostra discrezione, la sostituzione gratuita dell'apparecchio, tenendo presente quanto segue:

- L'apparecchio deve essere restituito a noi o ai nostri riparatori autorizzati con la prova dell'avvenuto acquisto.
- Il prodotto è stato utilizzato secondo i parametri previsti dalla classificazione consumatori.
- Il prodotto non è stato utilizzato per noleggio.
- Nessuno ha cercato di effettuare riparazioni oltre al nostro personale di assistenza o ai riparatori autorizzati.
- Il guasto indica una usura normale.

Questa garanzia viene offerta come vantaggio extra e si aggiunge ai vostri diritti previsti per legge.

La polizza di garanzia

Non sono coperti i guasti dovuti alle cause seguenti:

- Sostituzione di lame consumate o danneggiate, filo di nylon o cavi danneggiati durante la conservazione o l'uso. Questi sono considerati articoli di sostituzione soggetti a usura durante l'uso normale.
- Danni derivanti da un urto improvviso o da un abuso evidente.
- Guasti dovuti a uso improprio non conforme alle istruzioni e alle raccomandazioni previste nelle istruzioni per l'uso.

L'uso di accessori e ricambi non originali Black & Decker può danneggiare o ridurre le prestazioni dell'apparecchio Black & Decker e può rendere nulla la garanzia.

Assistenza post-vendita Black & Decker

Black & Decker offre un servizio di assistenza post-vendita nazionale. Il nostro obiettivo è di offrire un'assistenza post-vendita eccellente, riparazioni rapide, disponibilità massima di ricambi e assistenza completa per gli accessori.

Nel caso occorra aiuto o consulenza contattare il responsabile del centro di assistenza Black & Decker più vicino. Maggiori informazioni sul nostro servizio post-vendita possono essere richieste presso i nostri centri di assistenza (l'elenco completo sul dorso del diagramma particolari è annesso al prodotto).

Altri prodotti Black & Decker

La Black & Decker dispone di una intera gamma di utensili per esterno che facilitano il lavoro di giardinaggio. Per ulteriori informazioni, contattare il centro informazioni Black & Decker all'indirizzo indicato sul retro-copertina oppure il fornitore Black & Decker abituale.

Tosaerba

Elettroseghe a catena

Bio-trituratori

Tagliaerba a filo di nylon

Tagliasiepi

Rastrelli

Aspiratori di foglie

Dichiarazione di Conformità EC

Si dichiara che i prodotti: **GX530, GX635**
sono conformi a: 89/392/EEC, 89/336/EEC,
73/23/EEC, EN55014, EN60335, EN55104

Pressione sonora 96dB (A)

Potenza sonora 109dB (A)

Livello di vibrazione mano-braccio <2.5m/s²



Brian Cooke

Director of Engineering
Spennymoor, County Durham DL16 6JG, United Kingdom

Luftkissenmäher GX530/GX635


Bedienungsanleitung

Wir gratulieren!

Zum Erwerb Ihres Luftkissenmähers von Black & Decker.

Diese Bedienungsanleitung enthält die Betriebs- und Pflegehinweise für alle Black & Decker Luftkissenmäher der Modellreihe GX530/GX635.

Machen Sie sich mit dem Gerät vertraut

 Lesen Sie diese Anleitung sorgfältig durch. Beachten Sie vor, während und nach dem Arbeiten mit dem Gerät alle Sicherheitsanleitungen und halten Sie das Gerät in gutem Betriebszustand.

Machen Sie sich vor dem Arbeiten mit dem Gerät mit den Bedienelementen vertraut und stellen Sie sicher, daß Sie wissen, wie das Gerät im Notfall ausgeschaltet wird.

Bewahren Sie diese Anleitung und alle andere mit dem Gerät gelieferte Literatur für spätere Bezugnahme gut auf.

Sicherheitshinweise

Allgemeines

- Lassen Sie weder Kinder noch Personen, die mit dieser Art von Gerät nicht vertraut sind oder die die Bedienungsanleitung nicht durchgelesen haben, dieses benutzen.



Lassen Sie keine Kinder, Tiere oder andere Personen in die Nähe des Gerätes, während es in Betrieb ist - halten Sie sie stets mindestens 6m vom Arbeitsbereich entfernt.

- Denken Sie daran, daß Sie als Benutzer des Gerätes für Verletzungen Dritter oder Beschädigungen an deren Eigentum verantwortlich sind.
- Ihre Maschine ist ausschließlich für den Betrieb mit Netzstrom (Wechselstrom) ausgelegt. Versuchen sie nicht, das Gerät mit einer anderen Stromquelle zu betreiben.
- Schließen Sie das Gerät immer an eine Netzsteckdose an.
- Tragen Sie das Gerät niemals am Kabel und zerran Sie auch nicht am Kabel, um dieses aus der Steckdose zu ziehen.



Halten Sie das Kabel fern von Heizquellen, Öl oder scharfen Kanten. Prüfen Sie vor dem Einsatz den Zustand des Kabels und benutzen Sie es nicht, wenn es beschädigt ist.

Vorbereitung

- Schützen Sie Ihre Füße durch feste Schuhe oder Stiefel - frisch gemähtes Gras ist feucht und rutschig.
- Benutzen Sie Schutzkleidung. Tragen Sie eine Schutzbrille, wenn Sie das Gerät benutzen.
- Benutzen Sie bei Auftreten von Staub eine Gesichtsmaske.
- Tragen Sie einen Gehörschutz, wenn Ihnen der Lärmpegel des Geräts beim Einsatz unangenehm ist.
- Tragen Sie beim Arbeiten mit dem Gerät keine Sandalen und gehen Sie auch nicht barfuß.
- Tragen Sie zum Schutz der Beine eine lange Hose - Gegenstände, die auf dem Rasen liegen, könnten vom Messerbalken erfaßt und herumgeschleudert werden.
- Das Stromkabel sollte regelmäßig auf Anzeichen von Beschädigung oder Alterung geprüft und nur in gutem Zustand verwendet werden.
- Achten Sie immer auf die Lage des Stromkabels und halten Sie es vom laufenden Rasenmähermesser fern.
- Überprüfen Sie, bevor Sie das Gerät ans Stromnetz anschließen, und mit der Arbeit beginnen, ob das Messer oder die Messerschraube beschädigt oder verschlissen sind. Jedes beschädigte Teil muß unverzüglich ersetzt werden, da es eine potentielle Gefahrenquelle darstellt. Prüfen Sie bitte auch, ob die Messerschraube fest und sicher angezogen ist.
- Vergewissern Sie sich, daß Ihr Arbeitsbereich immer frei von Steinen, Draht und anderen Fremdkörpern ist. Derartige Teile könnten durch die rotierende Walze herumgeschleudert werden, bzw. das Gerät beschädigen.



Betrieb des Gerätes

- Wenn Sie zum Starten des Gerätes den Handgriff nach unten drücken oder den Rasenmäher seitlich kippen, stellen Sie

vorher sicher, daß Sie einen festen Stand haben, mit beiden Händen am Gerät sind und Ihre Füße ausreichend Abstand zum Messerbalken haben.



Nach dem Loslassen des Betriebsschalters läuft das Gerät kurze Zeit nach. Lassen Sie es immer von allein auslaufen.

- Ziehen Sie immer den Netzstecker:
 - Wenn Sie das Gerät unbeaufsichtigt lassen.
 - Bevor Sie am Gerät irgendwelche Überprüfungen, Reinigung, Nachstellungen oder Arbeiten vornehmen.
 - Vor dem Beseitigen einer Störung.
 - Wenn das Gerät abnormal zu vibrieren beginnt (sofort prüfen).
 - Wenn der Messerbalken mit einem Fremdkörper in Berührung gekommen ist. Untersuchen Sie das Gerät auf Beschädigungen und ersetzen Sie ggf. defekte Teile.
- Lassen Sie das Gerät niemals laufen, wenn es auf der Seite liegt und versuchen Sie nicht, das Messer zu stoppen; lassen Sie es immer von allein auslaufen.
- Halten Sie Hände und Füße von den rotierenden Teilen fern.
- Halten sie jederzeit von allen Auslaßöffnungen Abstand.
- Schalten Sie das Gerät vorsichtig und unter Beachtung der Sicherheitshinweise ein, und halten Sie Ihre Füße vom Messerbalken fern.
- Benutzen Sie das Gerät nicht im Regen und lassen Sie es nicht naß werden. Benutzen Sie es, wenn möglich, nicht auf nassem Gras.
- Benutzen Sie das Gerät nur bei Tageslicht oder guter künstlicher Beleuchtung.
- Schieben Sie das Gerät immer vorwärts und gehen Sie beim Einsatz des Gerätes nicht rückwärts.
- Überqueren Sie bei laufendem Messer keine Kieselwege oder Straßen.
- Sorgen Sie immer dafür, daß Sie sicher stehen, besonders an Böschungen.
- Arbeiten Sie in Hanglagen immer quer zum Gefälle, niemals auf- oder abwärts. Seien Sie besonders vorsichtig bei Richtungswechseln.



- Mähen Sie mit dem Gerät keine übermäßig steilen Böschungen und tragen Sie immer rutschfeste Schuhe.
- Gehen Sie beim Einsatz des Gerätes langsam; nicht schnell laufen. Wenden Sie bei Einsatz keinen übermäßigen Druck an.
- Heben Sie das Gerät bei laufendem Motor nie hoch und tragen Sie es dann auch nicht. Wenn Sie das Gerät zum Transport hochheben, achten Sie darauf, daß das Messer nicht mehr läuft.
- Seien Sie beim Hochheben des Geräts beim Transport äußerst vorsichtig.
- Nehmen Sie das Gerät niemals in Betrieb, wenn es beschädigt ist.

Wartung und Lagerung

- Bewahren Sie das Gerät, wenn Sie es nicht benutzen, an einem trockenen Ort und außer Reichweite von Kindern auf.
- Benutzen Sie zur Reinigung des Geräts keine Reinigungsmittel oder Reinigungsflüssigkeiten - benutzen Sie einen stumpfen Schaber, um Gras und Schmutz zu entfernen. Trennen Sie das Gerät vor der Reinigung immer von der Netzversorgung.
- Benutzen Sie das Gerät nicht, wenn irgendwelche Teile defekt sind; werfen Sie alle defekten Teile weg und setzen Sie neue ein, bevor Sie das Gerät benutzen.
- Sorgen Sie dafür, daß alle Muttern und Bolzen fest angezogen sind, um sicher zu sein, daß sich das Gerät in gutem Betriebszustand befindet.
- Benutzen Sie nur von Black & Decker empfohlene Ersatzteile und Zubehör.

Die Firma Black & Decker bemüht sich um die ständige Verbesserung ihrer Produkte und behält sich daher das Recht vor, Produktspezifikationen ohne vorherige Ankündigung zu ändern.

Doppelisolierung



Dieses Gerät ist doppelt isoliert. Dies bedeutet, daß alle äußeren Metallteile von der Stromversorgung elektrisch isoliert sind. Dies wird dadurch erzielt, daß sich zwischen den elektrischen und den mechanischen Bauteilen eine zusätzliche Isolierschicht

befindet. Doppelisolierung bedeutet größere elektrische Sicherheit und macht die Erdung der Maschine überflüssig.

Steckdosen im Außenbereich müssen mit Fehlerstrom-Schutzschaltern (FI-Sicherung) ausgestattet sein Bitte beachten Sie dies vor dem Einsatz Ihres Rasenlüfters - sprechen Sie ggf. mit Ihrem Elektroinstallateur.



Achtung! Eine FI-Sicherung oder andere Stromkreisunterbrecher ersetzen keinesfalls die vorher beschriebenen Sicherheitshinweise zur Bedienung des Gerätes.

Montage des Handgriffes (Abb. B)

B

Das Griffgestänge Ihres Mähers ist bereits fertig montiert. Um das Gerät einsatzfähig zu machen, müssen Sie noch folgendes tun:

Umdrehen der Flügelmuttern

- Zur Transportsicherung ist das obere Griffteil bereits mit dem unteren verbunden (Abb. B1). Lösen Sie die Befestigungsteile (8, 9 + 10) und bringen Sie die Flügelmutter an der Außenseite des Gestänges an, ohne sie aber bereits fest anzuziehen (Abb. B2 und B3).
- Diese Maßnahme erleichtert später den Umgang mit der Grasfangbox. Achten Sie darauf, daß Sie das vom Motor zum Schalter (13) führende Kabel dabei nicht einklemmen.

Hochklappen des oberen Griffteiles

Bringen Sie das obere Griffgestänge (7) in die Position wie in Abb. A gezeigt und ziehen Sie die Flügelmuttern (10) fest an.

Entnehmen/Einsetzen der Grasfangbox (Abb. C)

C

- Die Grasfangbox (3) kann nach oben durch das Griffgestänge abgenommen und die Klappe (4) zum Entleeren, wie durch den Pfeil angezeigt, geöffnet werden.
- Montiert wird die Box, indem sie an den Pfeilmarkierungen (s. kleines Bild) am Mähergehäuse eingehängt wird.

Letzte Überprüfung

Überprüfen Sie das Gerät abschließend auf fehlende Teile oder Beschädigungen. Es sollte nun so aussehen wie in Abb. A gezeigt.

Überprüfen des Messers (Abb. D)



D

Achtung! Immer Netzstecker ziehen.

Alle Mäher werden, bevor sie verpackt werden, einer Qualitätsprüfung unterzogen, um zu gewährleisten, daß das sie sicher arbeiten. Zu Ihrer persönlichen Sicherheit empfehlen wir Ihnen, eine zusätzliche Sicherheitsüberprüfung des Messers wie folgt vorzunehmen:

- Nehmen Sie die Grasfangbox (4) ab.
- Drehen Sie den Mäher so auf die Seite, daß die Unterseite des Mäherdecks (1) sichtbar ist.
- Halten Sie das Messer fest, zum Schutz Ihrer Hände mit Arbeitshandschuhen oder einem Tuch, und ziehen Sie die Messerschraube (21) mit dem Schlüssel (20) in Uhrzeigerichtung fest an.

Die Schalterbox (Abb. E)

E

Wir empfehlen Ihnen sehr, bevor Sie den Mäher erstmals ans Stromnetz anschließen, sich mit der Funktion der Schalterbox vertraut zu machen.

Starten des Mähers

- Ergreifen Sie den Handgriff (7) mit beiden Händen.
- Kippen Sie den Mäher leicht auf die Seite.

Achtung! Tun Sie das nicht, hinterläßt das Gerät einen unschönen kreisförmigen Einschnitt in Ihrem Rasen. Nehmen Sie die linke Hand vom Griff und drücken Sie damit den Einschaltsperrknopf (15) herunter.

- Ziehen Sie gleichzeitig mit der rechten Hand den Einschalthebel (14) in Richtung des Griffes (7).
- Das Gerät läuft nun an.
- Lassen Sie nun den Einschaltsperrknopf (15) wieder los, erfassen Sie mit linken Hand wieder den Griff und senken Sie das Gerät auf den Rasen ab. Es schwebt auf einem Luftpolster über dem Rasen.

Achtung! Wenn Sie den Sperrknopf (15) nicht drücken, kann der Einschalthebel den Schalter nicht auslösen und der Mäher läuft nicht an. **Dieser Mechanismus dient der zusätzlichen Sicherheit!**

Ausalten des Mähers

- Kippen Sie Ihren Mäher leicht auf die Seite.

Achtung! Tun Sie das nicht, hinterläßt das Gerät einen unschönen kreisförmigen Einschnitt in Ihrem Rasen.

- Lassen Sie den Einschalthebel (14) los.
- Wenn das Messer zum Stillstand gekommen ist, können Sie den Mäher wieder auf dem Rasen absetzen.

auch keine weiteren hinzu, da sonst die Betriebssicherheit des Mähers nicht mehr gewährleistet ist.

Der Handgriff (Abb. F)

F Der normale Schwenkbereich des Handgriffes ist in der Abb. F als Winkel F1 dargestellt. Das ermöglicht eine optimale Anpassung der Griffhöhe auf die Körpergröße des Bedieners.

Wenn Sie das Gerät zur platzsparenden Aufbewahrung an der Wand aufhängen wollen, s. Position F2, dann:

- Ziehen Sie den Netzstecker.
- Nehmen Sie die Grasfangbox ab.
- Bringen Sie den Handgriff in seine unterste Position, ziehen Sie ihn dann auf sich zu und legen Sie ihn auf den Boden. (Lassen Sie ihn nicht herunterfallen, die Schalterbox könnte beschädigt werden).

Schnitthöheneinstellung (Abb. D + G)

G Die Schnitthöhen dieses Mähers werden mittels verschiedener Unterlegscheiben (22 + 24) eingestellt:

- Ziehen Sie den Netzstecker.
- Drehen Sie den Mäher so auf die Seite, daß die Unterseite des Mäherdecks (1) sichtbar ist.
- Halten Sie das Messer fest, zum Schutz Ihrer Hände mit Arbeitshandschuhen oder einem Tuch, und lösen Sie die Messerschraube (21) mit dem Schlüssel (20) entgegen dem Uhrzeigersinn.
- Nehmen Sie Messerschraube, Unterlegscheibe und Messer von der Messerwelle und montieren Sie sie dann entsprechend der gewünschten Schnitthöhe. Abb. G zeigt die unterschiedlichen Anordnungen für die 6 Schnitthöhen.

D • Achten Sie bei der Montage des Messers darauf, daß die Spitzen wie in Abb. D nach unten zeigen. Ziehen Sie die Messerschraube fest an.

Achtung! Ausgeliefert wird der Mäher mit einer Schnitthöheneinstellung von 11mm.

- Montieren Sie unbedingt immer alle 3 Unterlegscheiben, fügen Sie aber

Transport des Mähers (Abb. H)

H Ziehen Sie den Netzstecker, nehmen Sie die Grasfangbox ab und bringen Sie den Handgriff in die unterste Position. Heben Sie das Gerät am Griffgestänge im Bereich des Drehgelenkes hoch und transportieren Sie es mit der Messerseite vom Körper weg.

Anwendungshinweise (Abb. J)



Beachten Sie alle wichtigen Warnhinweise beim Arbeiten mit Ihrem Mäher.

Wir empfehlen die diagonale Arbeitsweise, wie in Abb. J gezeigt, um mit dem Gerät das maximale Schnittergebnis zu erzielen und das Risiko, das Anschlusskabel dabei zu überfahren, zu reduzieren.

- Legen Sie das Verlängerungskabel dort, wo Sie mit dem Mähen beginnen wollen, links neben dem Gerät ab (Abb. J, Position 1).

Die Schalterbox Ihres Mähers ist mit einer Kabelzugentlastung ausgestattet. Das Kabel wird folgendermaßen befestigt:

- Verbinden Sie den Stecker des Mähers mit der Steckdose des Verlängerungskabels.
- Formen Sie mit dem Kabel kurz hinter der Steckverbindung eine Schlaufe (s. Abb. E).
- Ziehen Sie die Schlaufe von außen durch den Schlitz an der Schalterbox, führen Sie sie um den Haken herum und ziehen sie das Kabel fest. Das Kabel ist nun gesichert.

J

- Verfahren Sie, wie in Abb. Ja gezeigt, mähen Sie von Position 1 zu Position 2, drehen dann rechts herum, fahren auf Position 3 zu, drehen dann nach links und mähen weiter in Richtung Position 4 usw. Bewegen Sie sich immer vom Kabel weg. Arbeiten Sie nicht so, wie in Abb. Jb dargestellt, d.h. in Richtung des Kabels. Das kann gefährlich sein, da hierbei leicht das Kabel mit dem Mäher überfahren und beschädigt werden kann.

- Beachten Sie: Um beste Arbeitsergebnisse zu erzielen, sollten Sie Ihren Rasen regelmäßig schneiden, nicht jedoch, wenn er naß ist.



Achtung! Versuchen Sie nicht, den Mäher nur mit einer Hand zu führen - bleiben Sie mit beiden Händen am Gerät.

Überlastschutz (GX635)

Ihr Mäher ist mit einem Überlastschutz-Schalter ausgestattet. Den Rückstell-Knopf finden Sie an der Schalterbox (25, Abb. A).

Wenn Sie beispielsweise in hohem Gras zu schnell mähen, kann es passieren, daß Sie den Motor überlasten. Das zeigt sich in einem spürbaren Abfall der Motordrehzahl und eventuell durch eine Unterbrechung der Stromzufuhr. Letzteres ist keine Defekt, sondern eine Sicherheitseinrichtung zum Schutz des Motors.

Wenn dieser Fall eintritt, lassen Sie den Schalthebel los und warten ca. 2-3 Minuten, um den Motor abkühlen zu lassen. Dann drücken Sie den Rückstell-Knopf des Überlastschutzes (25) und können das Gerät anschließend neu starten.

Sollte der Überlastschutz innerhalb von 10 Minuten erneut den Motor abschalten, wählen Sie eine größere Schnitthöhe und mähen Sie etwas langsamer.

Mehrere Überlastungen können dazu führen, daß der Motor eine längere Zeit zum Abkühlen benötigt.

Wartung der Messer

Die Stahlmesser sind dazu konzipiert, langem, starkem Gras einen feinen Schnitt zu verleihen. Mit diesen Messern kann man auch dann noch einen gleichmäßigen Schnitt erreichen, wenn sie schon stumpf geworden oder etwas vergratet sind. Sie müssen keinesfalls so scharf wie Rasiermesser sein.

Sollte jedoch das Schnittergebnis aufgrund von beschädigten oder stumpfen Messern unbefriedigend werden, sollten Sie Ihren Rasenmäher mit neuen Messern bestücken bzw. vorhandene Messer zumindest nachschärfen.

Wir empfehlen das Schleifen oder die Erneuerung des Stahlmessers zu Saisonbeginn.

Ersatzmesser erhalten Sie bei Ihrem Black & Decker Händler oder beim Black & Decker Kundendienst.

Auswechseln des Messers



Beachten Sie bitte alle entsprechenden Warnhinweise, bevor Sie das Messer wechseln.

Einzelheiten zum Messerwechsel entnehmen Sie bitte dem Abschnitt "Schnitthöheneinstellung".

Bedienungshinweise

- Vor dem Starten Ihres Mähers, sollten Sie das Gerät leicht kippen, um das Messer ohne Behinderung durch das Gras auf seine maximale Umdrehungsgeschwindigkeit kommen zu lassen.
- Über 10cm hohes Gras sollten Sie in zwei Arbeitsgängen schneiden, um ein gutes Schnittergebnis zu erhalten. Im ersten Schnitt mit der größten Schnitthöhe mähen, im zweiten Arbeitsgang die endgültig gewünschte Höhe einstellen.

Wartung und Pflege

Die in diesem Kapitel erwähnten Hinweise beziehen sich auf die allgemeine Pflege und Wartung der Hauptbauteile Ihres Rasenmähers. Spezielle Hinweise zum Messer finden Sie im Abschnitt "Wartung der Messer".



Achtung! Nur einwandfreie Kabel verwenden! Schadhafte Kabel müssen umgehend ersetzt werden. Nehmen Sie selbst keine Reparaturen daran vor.

- Halten Sie Ihren Rasenmäher stets sauber und frei von Grasresten - besonders das Messergehäuse (2) und die Lüftungsschlitze (35). Siehe Abb. A zur näheren Erläuterung der angegebenen Bereiche.
- Alle Elektrokabel regelmäßig auf Anzeichen von Verschleiß, Abrieb oder andere Beschädigungen überprüfen.
- Wir empfehlen Ihnen, nach jedem Mähvorgang das Gras, das sich an der Unterseite der Messerabdeckung angehäuft hat, mit einer trockenen Bürste zu entfernen.
- Kunststoffteile können mit einem feuchten Tuch gereinigt werden.

Anmerkung: Keine Lösungs- bzw. scharfen Reinigungsmittel verwenden, da diese die Kunststoffteile Ihres Gerätes beschädigen könnten.

Fehlersuche

Die folgende Tabelle soll Ihnen als Orientierungshilfe zur Fehlersuche dienen.

Achtung! Immer Netzstecker ziehen.



Symptom	Mögliche Ursache	Abhilfe
Motor läuft, aber Messer bewegt sich nicht.	Messer eingeklemmt.	Hindernis vom Messer entfernen.
Kein Geräusch und Messer bewegt sich nicht.	Fehlanschluß.	Stromzufuhr überprüfen. Hauptsicherung überprüfen.
Gras wird nicht aufgenommen.	Fangbox ist voll. Aufnahmeöffnung ist verstopft. Schnitthöhe zu niedrig Sie schwenken den Mäher seitlich hin und her.	Fangbox leeren. Fangbox abnehmen und Öffnung säubern Andere Schnitthöhe einstellen Mähen Sie in geraden Bahnen.
Motor bleibt stehen.	Überlastung in zu hohem Gras.	Größere Schnitthöhe einstellen.
Unzureichendes Schnittergebnis.	Beschädigtes Messer.	Messer prüfen, ggf. ersetzen.

Was tun, wenn das Gerät zur Reparatur muss

Information darüber, wie und wohin Sie das Gerät zur Reparatur oder Wartung schicken können, finden Sie auf der Rückseite der Ersatzteilliste. Wir empfehlen, diese gut aufzubewahren.

Produkte und Umwelt



Wenn Sie eines Tages Ihr Gerät durch ein Neues ersetzen müssen oder Sie es nicht mehr benötigen, dann denken Sie an den Umweltschutz. Ihr Black & Decker Service-center nimmt gerne Ihre alten Geräte an und entsorgt sie auf umweltverträgliche Weise.

Garantie

Für dieses Produkt leistet der Hersteller Gewähr in Übereinstimmung mit den Bedingungen, die in den beiliegenden Unterlagen abgedruckt sind.

Verwenden Sie nur original Black & Decker Zubehör und Ersatzteile. Mißachtung kann zur Beschädigung oder Leistungsminderung Ihres Black & Decker Produktes führen oder Ihre Garantieansprüche einschränken.

Black & Decker Kundendienst

Black & Decker legt besonderen Wert auf gute und prompte Ausführung aller Wartungs- und Reparaturarbeiten, In unserer Kundendienstwerkstatt arbeiten geschulte Fachkräfte, die Original-Ersatzteile verfügbar haben. Sollten irgendwelche Defekte an Ihrem Gerät auftreten, so senden Sie es bitte direkt an den Black & Decker-Zentralkundendienst. Teilen Sie uns kurz schriftlich mit, was Sie bemängeln und Sie erhalten Ihr Gerät in kürzester Zeit repariert zurück.

Andere Produkte von Black & Decker

Die Firma Black & Decker verfügt über ein komplettes Angebot an Elektrowerkzeugen für draußen, die Ihnen die Arbeit im Garten erleichtern. Wenn Sie weitere Information über andere Produkte wünschen, dann setzen Sie sich bitte direkt mit Black & Decker oder Ihrem Black & Decker Händler in Verbindung.

Rasenmäher
Kettensägen
Häcksler
Rasentrimmer

Heckenscheren
Rasenharren
Laub- und Abfallsauger

EG Konformitätserklärung

Wir erklären hiermit, daß die folgenden Elektrowerkzeuge: **GX530, GX635** der Richtlinie: 89/392/EEC, 89/336/EEC, 73/23/EEC, EN55014, EN60335, EN55104 entsprechen
Lpa (Schalldruck) 96dB (A)
Lpa (Schalleistung) 109dB (A)
Gewichteter Effektivwert der Beschleunigung <2.5m/s²

Brian Cooke

Director of Engineering
Black & Decker Ltd, Spennymoor, County Durham
DL16 6JG, United Kingdom

Tondeuse sur Coussin d'Air GX530/GX635

Notice d'utilisation

Félicitations!

Nous vous remercions d'avoir acheté cette tondeuse Black & Decker.

Ce manuel fournit les instructions de service et de maintenance pour les tondeuses sur coussin d'air Black & Decker de la série GX530/GX635.

Apprenez à connaître votre machine

i Lisez ce manuel avec soin, en prenant note de toutes les précautions de sécurité recommandées avant, pendant et après l'utilisation de votre machine, et maintenez votre machine en bon état de marche.

Familiarisez-vous avec les commandes de votre machine avant de tenter de la faire marcher, mais avant tout, soyez sûr de savoir comment arrêter votre machine rapidement en cas d'urgence.

Gardez ce manuel et toute autre brochure fournie avec votre machine pour pouvoir vous y référer ultérieurement.

Précautions de sécurité

Formation

- Les enfants ou les personnes qui ne sont pas familières avec ce type de machine ou qui n'ont pas lu ce manuel ne doivent pas être autorisées à utiliser la machine.



N'autorisez aucun enfant, animal ou autre adulte à proximité de la machine quand celle-ci est en service. Veillez à ce qu'ils se tiennent à au moins 6 mètres de la zone de travail.

- Sachez que l'utilisateur est responsable des accidents ou dangers subis par des tiers ou infligés à des biens.
- Votre machine est conçue pour être utilisée sur courant alternatif (secteur) uniquement. Ne tentez pas de l'utiliser sur un autre type de courant.
- Branchez votre machine sur une prise de courant, et non pas sur une douille d'éclairage.



- Ne soulevez jamais votre machine par le câble et ne secouez jamais le câble pour le débrancher des raccords. Éloignez le câble de toutes sources de chaleur, huiles ou arêtes tranchantes. Vérifiez l'état de votre câble avant usage et ne l'utilisez pas s'il est endommagé.

Préparation

- Pour protéger vos pieds veillez à toujours porter des bottes ou des chaussures solides. L'herbe qui vient d'être coupée est humide et glissante.



- Utilisez des accessoires de protection. Veillez à porter des lunettes de sécurité pendant l'utilisation de la machine.
- Utilisez un respirateur s'il y a de la poussière.
- Utilisez une protection acoustique s'il y a un niveau de bruit gênant lors de l'utilisation de votre machine.
- N'utilisez pas la machine à pieds nus ou en ne portant que des sandales. Protégez vos jambes. Tout débris laissé sur la pelouse ou la zone de tonte peut être ramassé et éjecté par la lame.
- Le câble d'alimentation doit être inspecté régulièrement pour détecter tout signe éventuel de détérioration ou d'usure, et il ne doit être utilisé que s'il est en bon état.
- Gardez toujours le câble électrique à l'écart de la lame, et veillez à toujours savoir où il se trouve.
- Veillez à ce que votre machine soit toujours en bon état de marche.
- Avant d'utiliser votre machine, débranchez-la de l'alimentation électrique et inspectez visuellement la lame et les pièces rotatives pour détecter des dommages. Des lames ou des boulons usés représentent des dangers importants (vérifiez souvent tous les écrous et les boulons).
- Vérifiez toujours qu'il n'y a pas de bâtons, pierres, morceaux de fil de fer ou autres débris sur votre pelouse. Ces débris peuvent être dangereux ou endommager votre machine, s'ils entrent en contact avec elle, ou peuvent être éjectés par la lame.



Fonctionnement

- Lorsque vous activez la poignée vers le bas ou le côté pour la mise en marche, ne l'activez pas plus que nécessaire. Veillez toujours à ce que vos mains soient bien en place et à ce que vos pieds soient à l'écart de la lame avant de remettre la machine au sol.



La machine continuera à tourner pendant un court instant après avoir lâché le levier commutateur. Laissez toujours la machine s'arrêter toute seule.

- Lâchez le levier commutateur pour arrêter la machine et débranchez-la du courant de secteur:
 - Lorsque vous laissez la machine sans surveillance.
 - Avant d'inspecter, de nettoyer, de régler ou de travailler sur la machine.
 - Avant de dégager une obstruction.
 - Si la machine se met à vibrer de façon anormale (vérifiez immédiatement).
 - Après avoir heurté un corps étranger. Inspectez la machine pour détecter la présence éventuelle de détériorations et réparez-la le cas échéant.
- N'utilisez jamais la machine lorsqu'elle est couchée sur le côté et n'essayez pas d'arrêter la lame. Laissez-la toujours s'arrêter seule.
- Ne mettez pas les mains ou les pieds à proximité des pièces rotatives.
- Tenez-vous toujours à l'écart des prises d'air.
- Mettez votre machine en marche avec soin, conformément aux instructions et en veillant à ce que vos pieds soient à l'écart de la lame.
- N'utilisez pas votre machine sous la pluie ou dans des conditions humides et ne la laissez pas se mouiller. Évitez d'utiliser la machine dans l'herbe humide, dans la mesure du possible.
- N'utilisez votre machine que lorsqu'il fait jour ou sous un bon éclairage artificiel.
- Ne tirez pas la machine vers vous et ne marchez pas à reculons lorsque vous utilisez la machine.
- Ne traversez pas d'allées ou de routes de gravillons pendant que la lame tourne.
- Veillez à être toujours bien équilibré, surtout sur les pentes.



- Sur les pentes, utilisez toujours la machine de façon latérale, jamais de haut en bas. Faites très attention lorsque vous changez de sens sur une pente.
- Ne tondez pas les pentes excessivement inclinées et portez toujours des chaussures antidérapantes.
- Utilisez la machine en marchant, jamais en courant. Ne forcez pas la machine.
- Ne soulevez ou portez jamais la machine alors que le moteur est en marche. Veillez à ce que la lame ait cessé de tourner lorsque vous soulevez la machine pour la transporter d'un endroit à un autre.
- Lorsque vous transportez la machine, faites très attention en la soulevant.
- N'utilisez jamais la machine si les gardes de protection sont endommagés.

Entretien et rangement

- Rangez votre machine dans un endroit sec quand elle n'est pas utilisée, de préférence hors de portée des enfants.
- N'utilisez pas de dissolvants ou de liquides de nettoyage pour nettoyer votre machine. Utilisez un grattoir émoussé pour dégager l'herbe et les saletés de la lame. Débranchez toujours de l'alimentation électrique avant de nettoyer.
- Ne faites pas fonctionner votre machine si une pièce est défectueuse. Remplacez toutes les pièces défectueuses par de nouvelles pièces avant utilisation.
- Maintenez tous les écrous, boulons et vis bien serrés pour veiller au bon fonctionnement de votre machine.
- N'utilisez que les pièces de rechange et accessoires recommandés par Black & Decker.

La politique de Black & Decker est celle de l'amélioration continue de ses produits et ainsi Black & Decker se réserve le droit de changer la spécification des produits sans avis préalable.

Double isolation



Votre machine comporte une double isolation. Ceci veut dire que toutes les pièces métalliques externes sont isolées électriquement du courant. Ceci est obtenu en plaçant une barrière d'isolation supplémentaire entre les pièces électriques et mécaniques. Une double isolation assure une meilleure sécurité électrique et évite la nécessité d'avoir à relier la machine à la terre.

Sécurité électrique



Votre machine devrait toujours être éteinte avant de débrancher tout raccord, prise et douille, ou toute rallonge.

Note: N'installez pas vous-même de rallonge directement sur la machine. Portez votre machine au centre de service Black & Decker le plus proche.

Une plus grande sécurité peut être obtenue en demandant à un électricien qualifié d'installer un coupe-circuit à haute sensibilité (30mA) dans le câblage électrique de la maison.

Si vous ne disposez pas d'un tel système de court-circuit, ou si vous ne désirez pas en installer un, pour une meilleure sécurité, nous recommandons fortement que le courant électrique de votre machine soit fourni par un dispositif de courant résiduel à haute sensibilité (D.C.R). Le D.C.R est conçu pour fournir un degré élevé de protection personnelle contre les courants électriques nocifs produits en cas de défaut.



Attention! L'utilisation d'un D.C.R ou d'un autre coupe-circuit ne libère pas l'utilisateur de la machine des précautions de sécurité ni des pratiques de travail indiquées dans le présent manuel.

Avant l'assemblage du guidon (Fig. B)

B

Le guidon a été monté avant la livraison, néanmoins deux petites opérations sont nécessaires.

Remise en place des vis papillon

- Les pièces 8, 9, et 10 qui fixent la partie supérieures du guidon ont été montées (Fig. B1) dans un souci de protection lors du transport.
- Nous vous conseillons de les défaire (Fig. B2) et de les remettre (Fig. B3) en prenant garde de ne pas coincer le câble.
- Vous pouvez alors positionner le guidon supérieur et serrer fermement.

Mise en place du bac de ramassage (Fig. C)

C

- Le bac de ramassage (3 et 4) peut maintenant être retiré au travers de la partie inférieure du guidon et la trappe peut être ouverte comme indiqué par la flèche.
- Pour replacer le bac, faites l'inverse en alignant les flèches pour être dans la bonne position.

Contrôle du produit assemblé

Contrôlez le bon état du produit et vérifiez qu'il ne manque aucune pièce. La machine doit être conforme à la Fig. A.

Contrôle de la lame (Fig. D)



Attention! Débranchez toujours votre machine de tout point électrique avant de procéder à toute inspection.

D

Tous les produits sont contrôlés avant leur emballage pour s'assurer que la lame est bien fixée. Néanmoins, pour votre sécurité, vérifiez que c'est le cas de la façon suivante:

- Otez le bac de ramassage (3 et 4)
- Tournez votre produit sur le côté
- A l'aide d'un tissu placé sur la lame (23), saisissez la lame et, avec la clef fournie (20), serrez l'écrou (21) dans le sens des aiguilles d'une montre.

Utilisation de l'interrupteur (Fig. E)

E

Nous vous recommandons fortement de vous familiariser avec le boîtier interrupteur avant de brancher la machine. Les opérations à effectuer sont les suivantes:

Pour démarrer votre tondeuse

- Saisissez le guidon (7) avec les deux mains.
- Inclinez légèrement la tondeuse sur un côté.

Remarque: Si vous ne réalisez pas correctement cette opération, cela laissera des traces sur votre pelouse.

- Relâchez le guidon avec votre main gauche (7) et pressez le bouton de verrouillage (15).
- Saisissez le levier (14) avec votre main droite et ramenez-le vers le guidon (7).
- La tondeuse démarre.

Remarque: Relâchez le bouton de verrouillage (15) et replacez votre main gauche sur le guidon.

Pour stopper votre tondeuse

- Inclinez-la légèrement sur un côté
- Relâchez le levier (14).

Utilisation du guidon (Fig. F)

F La position classique pour utiliser votre tondeuse est l'angle F1 montré dans la figure F. Elle assure une très bonne prise en main et une excellente maniabilité de la machine.

Si vous désirez ranger votre tondeuse en la suspendant au mur (position F2):

- Débranchez-la.
- Otez le bac de ramassage.
- Rabaissez le guidon en tirant vers vous tout en pivotant vers le bas. Ne lâchez pas le guidon, cela pourrait endommager le boîtier interrupteur.

Votre machine est alors prête à être suspendue.

Réglage de la hauteur de coupe (Fig. D & G)

G La hauteur de coupe est déterminée au moyen de rondelles (22 et 24). Pour modifier celle-ci, la méthode est la suivante:

- Assurez-vous que la tondeuse est débranchée.
- Tournez-la sur le côté.
- Saisissez la lame en vous munissant d'un chiffon (23) et, à l'aide de la clef fournie, dévissez l'écrou.
- Oter l'écrou, la lame et les rondelles, et remettez-les en fonction de la hauteur désirée. (Voir Fig. G et les 6 hauteurs possibles.)

D

- Une fois la hauteur choisie, refixez la lame en vous assurant qu'elle est dans le bon sens.
- Assurez-vous que l'écrou 21 est bien serré.

Remarque: Le produit est livré avec un réglage de 11mm.

- Ne remettez jamais plus de trois rondelles car la tondeuse deviendrait alors dangereuse.

Pour transporter votre tondeuse (Fig. H)

H Débranchez votre tondeuse. Otez le bac de ramassage, rabaissez la poignée et, d'une main, saisissez le guidon vers le pivot et transportez la tondeuse avec la lame tournée vers l'extérieur.

Comment utiliser votre tondeuse (Fig. J)



Respectez toutes les consignes de sécurité lors de l'utilisation de votre machine.

Nous vous conseillons la méthode présentée dans la figure J pour obtenir un meilleur résultat sans risques de couper le câble de rallonge.

- Placez votre rallonge près du point de départ de la tonte (Fig. J position 1).
- Saisissez la poignée avec les deux mains.

Le boîtier interrupteur est muni d'un système de blocage du câble:

- Branchez la tondeuse au câble de rallonge.
- Faites une boucle avec votre câble de rallonge (Fig. E).
- Introduisez la boucle dans la fente, passez-la dans le crochet et tirez votre câble. Il est bloqué.
- Le câble doit retomber à l'écart de la tondeuse, derrière l'utilisateur prêt à l'emploi.

Attention! N'utilisez pas votre tondeuse d'une seule main.

J

- Procédez comme sur la figure Ja, allant de la position 1 à la position 2, tournez à droite lorsque vous atteignez la position 2, allez vers le 3, puis retournez à gauche vers le 4. N'adoptez pas la méthode de la figure Jb qui peut être dangereuse.

Votre tondeuse continuera à fonctionner tant que vous appuierez sur le levier interrupteur. Si vous le relâchez, vous devez redémarrer en appuyant sur le bouton interrupteur de sécurité.

Lorsque vous avez fini de tondre, nettoyez votre machine.

Remarque: Vous obtiendrez de meilleurs résultats si vous tondez régulièrement en évitant l'herbe mouillée.

Disjoncteur de surcharge (GX635)

Votre tondeuse est munie d'un disjoncteur de surchauffe. Le bouton de réenclenchement se trouve sur le boîtier interrupteur (voir 25 Fig. A).

Si vous tondez trop rapidement dans l'herbe haute ou humide, vous risquez de surchauffer le moteur. Cela se traduira par une accélération de la vitesse et probablement le moteur disjonctera. Ce dispositif protège la machine.

Si cela se produit, relâchez le levier et attendez quelques minutes pour laisser refroidir le moteur, puis pressez le bouton 25 et redémarrez.

Si cela se reproduit dans les 10 minutes qui suivent, il vous faut augmenter la hauteur de coupe et marcher plus lentement.

Entretien des lames

La lame en acier est conçue pour donner un joli fini dans une herbe haute ou grossière. La lame continuera à couper même quand elle sera émoussée ou ébardée; il n'est pas nécessaire qu'elle soit aussi tranchante qu'un rasoir.

Toutefois, si à cause de dommages ou de l'usure les performances de coupe diminuent, la tondeuse nécessitera l'installation d'une nouvelle lame ou au moins un affûtage.

Nous recommandons que la lame d'acier soit aiguisée ou qu'une nouvelle lame soit installée en début de chaque saison.

De nouvelles lames sont disponibles auprès des distributeurs ou centres agréés de réparation de Black & Decker.



Attention! Quand vous installez une nouvelle lame utilisez uniquement les pièces de rechange Black & Decker, spécifiques à votre machine. N'essayez pas de monter d'autres lames.

Remplacement de la lame



Veillez à observer toutes les précautions qui vont suivre avant de changer les lames.

Voir chapitre: Réglage de la hauteur de coupe.

Conseils d'utilisation

- Avant de démarrer votre tondeuse sur l'herbe, toujours l'incliner doucement sur un côté et la faire tourner à la vitesse maximale avant de commencer à couper l'herbe.

- Sur une herbe haute (au dessus de 10 cm), tondre deux fois afin d'obtenir un fini impeccable. Nous recommandons que la première tonte soit effectuée avec une lame réglée à la hauteur de coupe maximale et que la seconde tonte soit effectuée avec une lame sur position moyenne. La tonte de votre pelouse en sera facilitée et le rendu sera bien meilleur.

Conseils d'entretien

Les conseils donnés dans cette section concernent les soins et l'entretien général de la caisse principale de votre machine. Les conseils concernant les lames sont donnés dans "Entretien des lames".



Attention! N'utilisez pas une rallonge qui comporte des signes de dommages. Installez un nouveau câble complet - ne faites aucune réparation permanente ou temporaire.

- Gardez toujours votre machine propre sans herbes coupées, surtout en dessous du couvercle de la lame (2) ou sous les ailettes d'aérations (35). Voir Fig. A pour l'identification de ces zones.
- Vérifiez toutes les rallonges à intervalles réguliers, en cherchant les signes d'usure, d'abrasion ou autre.
- Après chaque session de coupe, nous recommandons de dégager l'agglomération de débris sur le dessous du couvercle de la lame en utilisant un grattoir émoussé.

Attention: N'utilisez pas de solvants ou de liquides nettoyants car ceux-ci pourraient endommager les pièces plastiques de votre machine. Nettoyez toutes les pièces en plastique avec un chiffon humide.

Localisation des pannes

Si votre machine ne fonctionne pas correctement, utilisez le tableau suivant pour situer le problème.



Attention! Débranchez toujours votre machine de tout point électrique avant de procéder à toute inspection.

Symptômes	Cause possible	Solutions
Le moteur ronfle mais la lame ne bouge pas.	Lame coincée.	Débranchez de tout point électrique. Dégagez l'obstruction de la lame.
Pas de bruit et la lame ne bouge pas.	Le moteur est surchargé par une coupe trop forte.	Débranchez de tout point électrique.

Symptômes	Cause possible	Solutions
Pas de bruit et la lame ne bouge pas.	Le moteur est surchargé par une coupe trop forte.	Branchez votre machine sur une prise électrique différente (compatible). Installez un nouveau fusible. Resserrez et vérifiez tous les raccords électriques dans les rallonges.
L'herbe n'est pas ramassée.	Bac plein. Orifice du bac bouché. Ailettes d'aération bouchées. La hauteur de coupe est trop basse dans une herbe trop haute. Votre tondeuse n'est pas stable.	Vider le bac. Nettoyez le bac bouché. Les nettoyer ainsi que le filtre supérieur du bac. Débrancher la machine. Régler la hauteur de coupe à une position plus élevée. Poussez votre tondeuse droit devant vous afin de maximiser le ramassage.
Le moteur cale.	Le moteur est surchargé dans une herbe haute et épaisse.	Débrancher la machine. Régler la hauteur de coupe à une position plus élevée.
Faibles performances de coupe.	Lames endommagées suite à un choc sur des pierres, des écorces d'arbre, des pavés ou d'autres objets similaires.	Débrancher la machine. Vérifier l'état de la lame. Remplacer la lame si nécessaire.

Que faire si votre machine a besoin d'être réparée

Vous trouverez tous les renseignements nécessaires sur comment et où envoyer votre tondeuse pour réparation ou révision au dos du schéma des pièces. Nous vous recommandons de garder ce dernier en lieu sûr.

Recyclage et environnement



Si vous vous apercevez que votre machine doit être remplacée ou si elle ne vous est plus utile, pensez à la protection de l'environnement. Les centres d'entretien Black & Decker acceptent vos anciennes machines dont ils se débarrasseront de façon écologique.

Garantie pelouse et jardin de Black & Decker

Cette garantie offre une couverture de 12 mois sur les pièces et la main d'oeuvre. Elle exige un justificatif d'achat.

Si votre machine Black & Decker tombait en panne pendant la période de garantie, à cause d'un vice de pièces ou de main d'oeuvre, nous garantissons le remplacement de toutes les pièces défectueuses, à notre discrétion, ou le remplacement de la machine, gratuitement, dans la mesure où:

- La machine nous est renvoyée, à nous ou à nos réparateurs agréés, avec son justificatif d'achat.
- La machine a été utilisée dans les paramètres de l'utilisation pour laquelle elle est prévue.
- La machine n'a pas été louée à des tiers.
- Des réparations n'ont pas été entreprises par toute personne autre que notre propre personnel d'entretien ou nos réparateurs agréés.
- La panne résulte de l'usure normale.

Cette garantie est un avantage supplémentaire et s'ajoute à vos droits statutaires.

La politique de garantie

Les pannes résultant des causes suivantes ne sont pas couvertes:

- Remplacement des lames usées ou endommagées, des lignes de nylon et des chaînes, ou des câbles endommagés pendant le rangement ou l'utilisation de la machine. On considère que ces pièces s'usent pendant l'utilisation normale de la machine.
- Les pannes résultant d'un impact soudain ou d'un abus évident.
- Les pannes dues à un usage non conforme aux instructions et recommandations contenues dans le mode d'emploi.

L'utilisation d'accessoires et de pièces autres que de la marque Black & Decker peuvent endommager ou réduire la performance de votre machine Black & Decker et risquent d'annuler la garantie.

Service après-vente Black & Decker

Black & Decker offre un service après-vente national par l'intermédiaire de centres de service gérés par la société. Nous avons pour objectif d'offrir un excellent service, des réparations rapides, une disponibilité des pièces et une assistance complète sur les accessoires.

Si vous avez besoin d'assistance ou de conseils, veuillez contacter le directeur de votre centre de service Black & Decker le plus proche. Adressez-vous à l'un de nos centres de service (un annuaire complet est imprimé au dos du schéma des pièces qui accompagne votre machine) pour plus de renseignements sur notre service après-vente unique.

Les produits Black & Decker

Black & Decker offre une gamme complète d'appareils électriques pour usage en plein air, qui facilitent le travail de jardinage. Pour plus de renseignements sur nos autres produits, veuillez contacter le centre d'information Black & Decker à l'adresse indiquée au dos de la couverture, ou contactez votre revendeur Black & Decker.

Tondeuses

Tronçonneuses à chaîne

Broyeurs de compost

Cisailles électriques

Taille-haies

Scarificateurs

Aspirateur de

feuilles

Attestation de Conformité EC

Nous déclarons que les produits: **GX530, GX635**
sont conformes aux: 89/392/EEC, 89/336/EEC,
73/23/EEC, EN55014, EN60335, EN55104
Niveau de pression acoustique 96dB (A)
Niveau de puissance acoustique 109dB (A)
Niveau de vibration main-bras <2.5m/s²



Brian Cooke

Directeur du développement
Spennymoor, County Durham DL16 6JG, United Kingdom

Luchtkussenmaaier GX530/GX635


Gebruiksaanwijzing

Gefeliciteerd!

Met uw aankoop van deze Black & Decker luchtkussenmaaier.

Deze handleiding bevat instructies voor het gebruik en het onderhoud van alle Black & Decker luchtkussenmaaiers van de GX530/GX635-serie.

Ken uw machine

 Lees deze handleiding aandachtig door. Neem alle voorgeschreven veiligheidsmaatregelen in acht, voor, tijdens en na het gebruik van uw machine, en houd uw machine gebruiksklaar.

Maak uzelf vertrouwd met de bediening van uw machine voordat u haar gaat gebruiken, maar zorg er in de eerste plaats voor dat u weet hoe u de machine kunt stopzetten in geval van nood.

Bewaar deze handleiding en alle andere papieren die u bij de machine kreeg, voor raadpleging in de toekomst.

Veiligheidsinstructies

Training

- Laat de machine nooit gebruiken door kinderen of personen die niet vertrouwd zijn met dit soort machine of deze handleiding niet gelezen hebben.



Houd dieren, kinderen of andere personen uit de buurt van de machine wanneer u deze gebruikt – Laat ze minstens 6 meter uit de buurt van het werkgebied blijven.

- Onthoud dat de gebruiker van de machine verantwoordelijk is voor ongevallen of gevaren die andere mensen of hun eigendom treffen.
- Uw machine is ontworpen om te worden aangesloten op wisselstroom (lichtnet) – gebruik geen enkele andere energiebron.
- Sluit uw machine aan op een stopcontact – nooit op een verlichtingsstopcontact.



- Draag uw machine nooit bij het snoer en trek niet aan het snoer om de verbinding te verbreken. Houd het snoer uit de buurt van warmtebronnen, olie of scherpe randen. Controleer de conditie van uw

snoer voordat u de machine gebruikt. Niet gebruiken indien beschadigd.

Vorbereitung



- Draag altijd stevige schoenen of laarzen om uw voeten te beschermen – vers gesnoeid gras is vochtig en glad.
- Gebruik beschermend materiaal. Draag steeds een veiligheidsbril als u de maaier gebruikt.
- Draag een gezichtsmasker als er veel stof is.
- Draag oorbescherming als het geluid van de machine niet draaglijk is tijdens het gebruik.
- Gebruik uw machine niet blootsvoets of in sandalen.
- Draag een lange broek om uw benen te beschermen – afval op het grasveld of op uw snoeipad kan opgepikt en weer omhooggeworpen worden door de messen.
- Het netsnoer moet regelmatig geïnspecteerd worden op schade of ouderdomsverschijnselen en mag alleen in een goede conditie gebruikt worden.
- Houd het netsnoer altijd uit de buurt van de messen - houd de positie ervan altijd in de gaten.
- Ga steeds na of de machine in veilige conditie is.
- Haal de stekker uit het stopcontact alvorens de machine te gebruiken en controleer of de messen, de moer van de messen en de bevestigingen ervan niet versleten of beschadigd zijn. Een versleten of beschadigd mes houdt een groot risico in en moet dan ook vervangen worden. Controleer tevens of de moer goed is bevestigd.
- Controleer steeds of er geen takken, stenen, draad of ander afval op uw grasveld of uw snoeipad liggen. Bij contact met dergelijk afval kunt u gevaar lopen of uw machine beschadigen. Het afval kan steeds weer omhooggeworpen worden door de messen.



Bediening

- Duw bij het starten het handvat niet verder naar beneden of naar opzij dan nodig. Let er steeds op dat beide

handen in de bedieningspositie zijn en dat uw voeten goed uit de buurt van de messen staan voordat u de machine terug op de grond zet.



De machine zal nog even verder lopen wanneer u de schakelhendel loslaat. Laat de machine steeds uit zichzelf tot stilstand komen.

- Laat de schakelhendel los om de machine te stoppen en verwijder de stekker uit het stopcontact:
 - Als u de machine onbemand laat.
 - Voordat u de machine controleert, reinigt, aanpast of onderhoudt.
 - Voordat u een verstopping vrijmaakt.
 - Als de machine abnormaal begint te trillen (controleer onmiddellijk).
 - Nadat een vreemd object geraakt werd. Controleer de machine onmiddellijk op schade en herstel indien nodig.
- Laat de machine nooit lopen wanneer zij op haar zijkant ligt. Laat de messen steeds uit zichzelf tot stilstand komen - probeer ze nooit manueel stil te leggen.
- Steek voeten of handen nooit onder de roterende onderdelen.
- Blijf steeds uit de buurt van openingen waaruit afval omhooggeworpen wordt.
- Start uw machine voorzichtig volgens de aanwijzingen en blijf met uw voeten uit de buurt van de messen.
- Gebruik uw machine niet wanneer het regent en laat haar nooit nat worden. Vermijd gebruik van de machine op nat gras, indien mogelijk.
- Gebruik uw machine alleen in het daglicht of in een goede kunstmatige verlichting.
- Trek uw machine niet naar u toe of wandel niet achteruit met uw machine.
- Steek geen grindpaden of wegen over wanneer de messen nog draaien.
- Let steeds op uw voeten, in het bijzonder op hellingen.
- Maai steeds dwars over de helling, nooit van boven naar beneden. Wees uiterst voorzichtig wanneer u van richting verandert op hellingen.
- Maai geen uiterst steile hellingen en draag steeds antislip-schoenen.
- Wandel met de machine. Vermijd lopen. Forceer de machine niet.



- Hef de machine nooit op of draag haar nooit terwijl de motor nog loopt. Controleer of de messen stilliggen, voordat u de machine opheft voor transport.
- Let zeer goed op bij het opheffen van de machine voor transport.
- Gebruik de machine nooit als de afdekcap beschadigd is of niet op haar plaats zit.

Onderhoud en opbergen

- Berg uw machine op in een droge ruimte, buiten bereik van kinderen, wanneer u haar niet gebruikt.
- Gebruik geen oplosmiddelen of reinigingsvloeistoffen om uw machine schoon te maken – gebruik een botte schraper om gras en vuil te verwijderen. Verbreek altijd de aansluiting op de netvoeding voordat u de machine schoonmaakt.
- Gebruik uw machine niet als een onderdeel gebreken vertoont. Vervang alle beschadigde onderdelen door nieuwe voordat u de machine gebruikt.
- Controleer of alle moeren, bouten en schroeven goed vastzitten.
- Gebruik alleen vervangingsonderdelen en accessoires die door Black & Decker aanbevolen worden.

Bij Black & Decker wordt voortdurend gewerkt aan verbetering van producten. Black & Decker behoudt zich dan ook het recht voor de productspecificaties zonder voorafgaand bericht te wijzigen.

Dubbele isolatie



Uw machine is dubbel geïsoleerd. Dat betekent dat alle externe metalen delen elektrisch geïsoleerd zijn van de netvoeding. Dat wordt bereikt door een extra isolerende laag aan te brengen tussen de elektrische en mechanische onderdelen. Dubbele isolatie betekent meer elektrische veiligheid en maakt het niet nodig om de machine te aarden.

Elektrische veiligheid



Uw machine moet altijd uitgeschakeld zijn van de netvoeding, voordat u de stekker uit het stopcontact trekt of verlengsnoeren losmaakt.

Waarschuwing! Verbind nooit een nulstroomdraad met de aardingspin.

Voor meer veiligheid kan men een bevoegd elektricien een automatische stop met hoge

gevoeligheid (30mA) in de bedrading van uw huis laten aanbrengen.

Als u niet zo'n automatische stop hebt, of als u hem niet wilt laten installeren, dan raden we u ten zeerste aan om de elektrische stroom, de machine te laten bereiken door een reststroom apparaat (R.S.A) van hoge gevoeligheid, vroeger bekend als een aardlek automatische stop. Het R.S.A. werd ontworpen om meer persoonlijke veiligheid te garanderen, in geval van schadelijke elektrische spanning die kan optreden bij storingen.



Waarschuwing! Bij het gebruik van een R.S.A. of een andere automatische stop, dient u nog steeds de veiligheidsinstructies en het stuk aangaande de veilige bediening die in deze handleiding beschreven worden, in acht te nemen.

Handgreep (Fig. B)

B

De handgrepen van dit product zijn bij levering al volledig gemonteerd, maar er moeten nog twee kleine ingrepen gebeuren om de machine gebruiksklaar te maken:

Omkering van de vleugelmoer

- De onderdelen (8, 9 en 10) die bestemd zijn voor het vastmaken van de bovenhendel (7) aan de onderhendel werden gemonteerd zoals getoond op Fig. B1 om ze te beschermen tijdens het vervoer.
- We raden u aan om deze onderdelen uit elkaar te halen (zie Fig. B2) en weer te monteren zoals getoond op Fig. B3. Zorg ervoor dat het motorsnoer (12) daarbij niet klem raakt tussen de hendels. Deze ingreep zal het aanbrengen en verwijderen van de opvangbak vergemakkelijken.

Rechtzetten van de bovenhendel

Nu kunt u de bovenhendel (7) rechtzetten in de stand die op Fig. A wordt getoond, en de vleugelmoeren (8, 9 en 10) **stevig** aandraaien. Let er opnieuw op dat het motorsnoer (12) hierbij niet klem komt te zitten.

Het aanbrengen en verwijderen van de opvangbak (Fig. C)

C

- Nu kan de opvangbak (3 en 4) tussen de buizen van de handgreep (6) worden uitgehaald en kan het deurtje van de opvangbak worden geopend in de richting van de pijl om alles eens van dichtbij te bekijken.

- Ga omgekeerd te werk om de opvangbak weer aan te brengen. Richt u naar de pijlpunten (zie bijlage) om de opvangbak weer in de juiste positie te bevestigen.

Controle van het eindproduct

Controleer de volledig gemonteerde maaier en kijk of er geen beschadigingen zijn of onderdelen ontbreken. Het eindproduct zou er moeten uitzien zoals op Fig. A.

Controle van het snijmes (Fig. D)



Waarschuwing! Verwijder altijd de stekker uit het stopcontact voordat u de machine inspecteert.

D

Al onze producten worden gecontroleerd voor ze worden verpakt om er zeker van te zijn dat het snijmes (23) veilig is. Voor alle zekerheid raden wij u echter aan om dit zelf ook nog eens te controleren, en wel op de volgende manier:

- Verwijder de opvangbak (3 en 4)
- Kantel de machine op haar kant zodat de onderzijde van het snijgedeelte (1) blootligt.
- Leg een doek over het snijmes (23), pak het snijblad stevig beet en draai de moer (21) met de bijgeleverde moersleutel (20) in wijzerzin aan.

Bediening van de schakelaar (Fig. E)

E

We raden ten zeerste aan dat u de bediening van de schakelaar volledig onder de knie hebt voordat u de machine op het elektriciteitsnet aansluit. De bediening van de schakeldoos is als volgt:

Om de machine te starten

- Neem de handgreep (7) met beide handen vast.
- Doe de machine lichtjes naar een kant overhellen.

Opmerking: Als u dit niet doet, kan er in uw gazon een lelijke ringvormige plek worden gevormd.

- Haal uw linkerhand van de handgreep (7) en druk op de vergrendelknop (15).

- Grijp nu met uw rechterhand de schakelaar (14) en knijp hem naar de handgreep (7) toe.
- Nu is de machine klaar om te maaien.
- Laat de vergrendelknop (15) los en breng uw linkerhand weer naar de handgreep.

Opmerking: Als de vergrendelknop (15) niet ingedrukt is zoals hierboven aangegeven, zal de machine niet starten en zal de schakelaar (14) de elektrische verbinding niet tot stand brengen. **Dit is een ingebouwde veiligheid!**

Om de machine uit te schakelen

- Doe de machine lichtjes naar een kant overhellen

Opmerking: Als u dit niet doet, kan er in uw gazon een lelijke ringvormige plek worden gevormd.

- Laat de schakelhendel (14) los.
- Zet de machine weer op het gazon als ze niet meer draait.

Bediening van de handgreep (Fig. F)

F Het normale werkbereik van de handgreep wordt getoond op Fig. F. Tussen de hoogste en laagste stand van de hoek F1 vindt u zeker uw eigen comfortabele werkpositie.

Als u de machine wil opbergen en aan de muur hangen (positie F2):

- Trek dan eerst de stekker uit het stopcontact.
- Verwijder vervolgens de opvangbak.
- Duw daarna de handgreep tot in de laagste werkstand, trek de handgreep naar u toe en duw ze tot op de grond (laat de handgreep niet vallen, want dan beschadigt u de schakelaar)

Nu kan de machine worden opgetild en eventueel aan de muur gehangen.

Instellen van de maaihoogte (Fig. D & G)

G De maaihoogte van deze machine wordt ingesteld met behulp van afstandhouders (22 en 24). Ga als volgt te werk:

- Vergewis u ervan dat de machine niet op het elektriciteitsnet is aangesloten.
- Kantel de maaier op zijn kant zodat de onderzijde van het snijgedeelte (1) blootligt.
- Leg een doek over het snijmes (23), pak het blad stevig beet en draai de moer (21) in tegenwijzerzin los met behulp van de bijgeleverde moersleutel (20).

D

- Verwijder de bladmoer, de afstandhouders en het snijmes (21-24) en monteer alles weer om de gewenste maaihoogte te bekomen. Zie Fig. G voor de 6 beschikbare maaihoogten.
- Monteer, nadat u de maaihoogte hebt bepaald, het snijmes (23) met de snijpunten naar beneden gericht, zoals op Fig. D.
- Zorg ervoor dat de moer van het snijmes (21) stevig is vastgedraaid.

Opmerking: Bij levering is de maaihoogte van de machine ingesteld op 11mm (Fig. G).

- Monteer altijd 3 afstandhouders en nooit meer dan drie, zoniet wordt de machine onveilig.

De machine dragen (Fig. H)

H

Trek eerst de stekker uit het stopcontact. Verwijder de opvangbak. Duw de handgreep tot op de laagste stand, de "ruststand", en draag de maaier bij de handgreep, dicht bij de machinekast en met het snijmes weg van u.

De machine gebruiken (Fig. J)



Neem alle toepasselijke veiligheidsvoorschriften in acht terwijl u de machine gebruikt.

Wij raden aan om het gras volgens hetzelfde patroon te maaien als op Fig. J is afgebeeld. Zo krijgt u het beste resultaat en beperkt u het risico dat u op het maaipad door het verlengsnoer wordt gehinderd.

- Leg het overschot van het verlengsnoer op het gazon dicht bij het beginpunt (Fig. J positie 1).
- Houd de handgreep met beide handen vast.

Uw schakeldoos is voorzien van een snoerklem. Om het snoer aan de klem te koppelen:

- Steek de stekker van de maaier in de stop van het verlengsnoer.
- Maak dicht bij de koppeling een lus in het verlengsnoer (zie Fig. E).
- Duw de lus door de gleuf naar de opspanhaak toe, leg de lus over de haak en trek de kabel terug door de gleuf. Nu is het snoer opgespannen.
- Nu zou het verlengsnoer van de maaier weg moeten vallen, achter de gebruiker, en gebruiksklaar moeten zijn.



Opgelet! Probeer uw machine niet met één hand te sturen - gebruik steeds beide handen.

- Hef de handgreep op om ze uit ruststand te halen.
- Rijd over het maaigebied volgens het patroon van Fig. Ja: Van positie 1 naar positie 2. Draai op positie 2 naar rechts en rijd verder naar positie 3. Ga verder tot aan de rand van het maaigebied. Draai dan naar links en rijd naar positie 4. Werk verder op de manier die staat aangegeven op Fig. Ja, en altijd uit de richting van het snoer. Ga niet te werk zoals op afbeelding Jb, naar het snoer toe, want dat is gevaarlijk.

Zolang u de schakelaar ingedrukt houdt, blijft de machine draaien. Als u hem om welke reden dan ook loslaat, kunt u hem niet opnieuw indrukken voordat u de veiligheidsvergrendelknop van de schakeldoos hebt ingedrukt. Deze knop zorgt ervoor dat de machine niet per ongeluk start.

Als u klaar bent met maaien, verwijder dan alle vuil van de machine voor u ze opbergt. Zie ook het hoofdstuk "Verzorging en onderhoud".

Opmerking: U behaalt het beste resultaat als u uw gazon of grasveld regelmatig maait. Maai niet als het gras nat is.

Overbelastingsbeveiliging (GX635)

Uw machine is uitgerust met een mechanisme dat in werking treedt bij overbelasting. U vindt de terugstelknop op de schakeldoos (zie 25, Fig. A).

Als u te snel maait in hoog gras, of als de maaioomstandigheden niet optimaal zijn, kunt u de motor overbelasten. U zult dan merken dat de maaier plots veel trager rijdt, of eventueel dat de zekering de stroomtoevoer onderbreekt. Dit is geen defect, maar een veiligheidsmechanisme om uw machine te beschermen.

Als dit gebeurt, laat dan de schakelaar los en wacht 2 tot 3 minuten tot de motor is afgekoeld. Druk dan de terugstelknop (25) in en start opnieuw door de schakelaar en de vergrendelknop te bedienen.

Als de overbelastingstop binnen de 10 minuten opnieuw in werking treedt, moet u de maaihogte vergroten (zie "Instellen van de maaihogte") en trager werken.

Bij ernstige overbelasting moet u langer wachten voor u de machine opnieuw start. Laat in dergelijke gevallen na het terugstellen de motor afkoelen.

Onderhoud van de messen

Het stalen mes is speciaal ontwikkeld om een goed resultaat te geven bij lang of stug gras. Het mes blijft goed maaien, ook als het stomp of geblutst is. Het hoeft niet vlijmscherp te zijn.

Wanneer echter de resultaten met dit mes door slijtage toch achteruit gaan, dan is het aan te raden het mes te vervangen of te laten slijpen.

Wij raden u aan het stalen mes ieder jaar aan het begin van het maaiseizoen te vervangen of te laten slijpen. Nieuwe messen (A6184) zijn te verkrijgen bij uw Black & Decker verkooppunt.



Waarschuwing! Vervang het mes van uw machine alleen door de officiële Black & Decker messen die voor uw machine bestemd zijn - breng nooit andere messen aan.

Bevestigen van een nieuw snijmes



Neem alle toepasselijke veiligheidsvoorschriften in acht vóór u het mes vervangt.

Gegevens over de bevestiging van nieuwe stalen snijmessen vindt u in het hoofdstukje "Instellen van de maaihogte".

Tips

- Kantel de machine steeds lichtjes op één kant voor u ze start op gras. Laat ze tot op de maximumsnelheid komen voor u begint te maaien.
- Geef lang gras (meer dan 10cm) twee maaibeurten om een mooie afwerking te krijgen. We raden u aan om de eerste keer op de maximale maaihogte te maaien en de tweede keer de maaier op de middelste of korte stand in te stellen. Dit maait gemakkelijker en geeft een beter resultaat.

Onderhoud en reiniging

Hieronder vindt u enkele aanwijzingen voor het onderhoud van uw grasmaaier in het algemeen. Zie ook onder "Onderhoud van de messen".

- Reinig uw grasmaaier na ieder gebruik; houd met name de onderzijde van het afsluitpaneel (2) en de luchtopeningen (35) schoon (zie afb. A).

- Controleer regelmatig het netsnoer en het verlengsnoer. "Gebruik nooit een snoer dat tekenen van slijtage of beschadiging vertoont - probeer nooit een snoer tijdelijk te repareren."
- We raden aan om na het maaien het gras dat aan de onderzijde van het afsluitpaneel is vastgeplakt met een botte schraper te verwijderen.
- Reinig kunststof onderdelen met een vochtige doek.

Let op: Gebruik geen oplosmiddelen of schoonmaakmiddelen, aangezien deze de kunststof onderdelen van uw machine kunnen beschadigen.

Opsporing van storingen

Als uw machine niet goed functioneert, kunt u het defect mogelijk opsporen met behulp van de volgende tabel.



Waarschuwing! Verwijder altijd de stekker uit het stopcontact voordat u de machine inspecteert.

Probleem	Mogelijke oorzaak	Oplossing
De motor bromt maar het mes draait niet.	Mes zit klem.	Verwijder de stekker uit het stopcontact. Verwijder klem-zittende materialen.
Motor maakt geen geluid en het mes draait niet.	Defect of fout in de elektrische aansluiting.	Verwijder de stekker uit het stopcontact. Probeer een ander stopcontact. Controleer of er een zekering is gesprongen, vervang deze eventueel. Controleer alle elektrische verbindingen en bevestig eventueel opnieuw.
Het gras wordt niet opgenomen.	De opvangbak is vol. De opening van de opvangbak zit dicht. De ventilatiegaten zitten dicht.	Ledig de opvangbak. Haal de opvangbak van de machine en maak de opening in de bodem vrij. Verwijder de opvangbak en reinig de filter in het dak van de opvangbak en die aan de achterkant van de maaier.

Probleem	Mogelijke oorzaak	Oplossing
Het gras wordt niet opgenomen.	Het gras is te lang. Kies een hogere maaihoogte. Uw maaier wordt heen en weer bewogen.	Verwijder de stekker uit het stopcontact en zet de maaier één positie hoger. Plaats de maaier in een rechte lijn om de opvangcapaciteit te maximaliseren.
De motor blijft steken.	De motor is overladen door lang, dik gras.	Verwijder de stekker uit het stopcontact en zet de maaier één positie hoger.
Zwakke maai-prestatie.	Het mes is beschadigd door contact met grote stenen, takken of gelijkaardige objecten.	Verwijder de stekker uit het stopcontact. Controleer of het messensysteem beschadigd is. Vervang eventueel de messen.

In geval dat uw Black & Decker product gerepareerd moet worden

Informatie over hoe en waar u uw grasmaaier laat repareren, vindt u op uw garantiekaart. Bewaar deze op een veilige plaats.

Ongewenste producten en het milieu



Denk a.u.b. aan het milieu als u op een dag besluit dat u het product wilt vervangen of niet langer nodig heeft. De Black & Decker Centra zullen al uw oude producten aanvaarden en ze op een milieuvriendelijke manier verwerken.

Black & Decker garantie voor gras en tuin

Deze garantie dekt onderdelen gedurende 12 en herstellingen gedurende 6 maanden. Een aankoopbewijs is steeds vereist.

Als uw Black & Decker product een defect vertoont als gevolg van defecte onderdelen of slechte afwerking, zullen wij, ofwel alle defecte onderdelen, ofwel, naar ons goeddunken, het hele product gratis vervangen, op voorwaarde dat:

- Het product naar ons of een goedgekeurde dealer gebracht wordt met bewijs van aankoop.
- Het product gebruikt werd binnen zijn gebruiksbeperkingen.
- Het product niet verhuurd werd.
- Niemand anders dan ons eigen personeel of goedgekeurde herstellende de machine heeft proberen te herstellen.

- Het defect een gevolg is van normale slijtage.

Deze garantie is een extra service, naast uw statutaire rechten.

Het garantieprincipe

Defecten die een gevolg zijn van de volgende oorzaken, worden niet door de garantie gedekt:

- Vervangen van bladen, nylon draad of kabels die tijdens opbergen of gebruik afgesleten of beschadigd werden. Deze onderdelen worden beschouwd als vervangbare onderdelen die onderhevig zijn aan slijtage bij een normaal gebruik van het product.
- Defecten die het gevolg zijn van plotse stoten of van een duidelijk misbruik van het product.
- Defecten die het gevolg zijn van een gebruik dat niet in overeenstemming is met de instructies en aanbevelingen in deze handleiding.

Het gebruik van accessoires of onderdelen die niet door Black & Decker gemaakt zijn, kunnen uw Black & Decker product beschadigen of de capaciteit ervan verminderen en kunnen de garantie in gevaar brengen.

Black & Decker service na verkoop

Black & Decker biedt een nationale Service Na Verkoop. Wij staan garant voor uitstekende service, snelle herstellingen, gemakkelijk verkrijgbare onderdelen en een hele waaier aan accessoires.

Raadpleeg steeds uw plaatselijke Black & Decker Service Manager als u hulp of advies verlangt. Meer details over onze unieke Service Na Verkoop kunnen verkregen worden in elk Black & Decker Center. (De achterzijde van het diagram met de onderdelen biedt een volledige adressenlijst.)

Andere Black & Decker producten

Black & Decker biedt een hele waaier van gereedschap aan, die het leven in de tuin gemakkelijk maken. Raadpleeg de Informatiedienst van het Black & Decker Center op het adres op de achterflap van deze handleiding of uw Black & Decker dealer om meer te weten te komen over onze andere producten.

Grasmaaiers

Kettingzagen

Compostmolens

Strimmers

Heggescharen

Verticuteerders

Bladruimers

EC Verklaring van Conformiteit

Wij verklaren dat de types: **GX530, GX635** voldoen aan: 89/392/EEC, 89/336/EEC, 73/23/EEC, EN55014, EN60335, EN55104

Een gewogen geluidsdruk 96dB (A)

Een gewogen geluidsniveau 109dB (A)

Hand/arm gewogen vibratie <2.5m/s²



Brian Cooke

Hoofd van de Technische Dienst
Spennymoor, County Durham DL16 6JG, United Kingdom

Cortacéspedes Aerosático GX530/GX635


Manual de instrucciones

¡Felicitaciones!

Por haber adquirido este cortacéspedes de Black & Decker.

Este manual le ofrece instrucciones de funcionamiento y mantenimiento para todos los cortacéspedes aerostáticos de las gamas Black & Decker GX530/GX635.

Conozca su máquina

 Estudie cuidadosamente todo este manual, y, antes, durante y después de usar la máquina, cumpla todas las normas de seguridad que se recomiendan. Mantenga la máquina siempre en buenas condiciones de funcionamiento.

Familiarícese con todos los mandos de la máquina antes de intentar usarla, pero, sobre todo, asegúrese de que sabe cómo pararla en una situación de emergencia.

Guarde para futura consulta este manual y los otros documentos que vienen con la máquina.

Normas de seguridad

- No hay que permitir el uso de esta máquina ni por niños ni por personas que desconozcan este tipo de máquina, ni por personas que no hayan estudiado este manual.



No permita que niños, animales ni terceras personas se aproximen a la máquina cuando esté en uso: siempre procure que estén a una distancia mínima de 6m de la zona donde se está cortando.

- Recuerde que el operario/usuario es responsable de accidentes o peligro de terceras personas o de su propiedad.
- La máquina está diseñada para ser usada únicamente con energía eléctrica CA (de la red). No intente usar otra fuente de energía.

- Enchufe la máquina en una toma de corriente: nunca use un casquillo portalámparas.

- En ninguna circunstancia debe llevar la máquina tirada del cable, ni debe tirar del cable para separar los conectores.



No acerque el cable a fuentes de calor, grasa o filos cortantes. Antes de usar la máquina, compruebe que el cable esté en buen estado: no debe ser usada si el cable ha sufrido algún daño.

Preparación

- Para protegerse los pies, use zapatos fuertes o botas: la Hierba recién cortada está húmeda y resbaladiza.
- Use equipo de protección: mientras utilice la máquina use gafas de seguridad o de protección.
- Utilice una máscara si se levanta polvo.
- Protéjase los oídos si al utilizar la máquina el nivel del ruido le produjera incomodidad.
- No trabaje descalzo ni use sandalias abiertas.
- Lleve pantalones largos para protegerse las piernas: las piedras y otros desperdicios que haya en el césped o en la pista por donde se pase la máquina pueden ser recogidos y disparados con fuerza por las púas del rastrillo.
- Hay que revisar periódicamente el cable de suministro de energía para verificar que no esté dañado ni envejecido: sólo se debe usar si está en buen estado.
- Mantenga siempre el cable de alimentación apartado de las púas: tenga presente su posición en todo momento.
- Siempre verifique que la máquina esté en condiciones de funcionar sin peligro.
- Antes de usar su cortacésped, desenchúfelo de la red e inspeccione visualmente la cuchilla y las piezas móviles, por si estuvieran en mal estado. Las cuchillas estropeadas y los pernos gastados son muy peligrosos. También compruebe si la cuchilla está bien sujeta (revise con frecuencia todas las tuercas y pernos).
- Siempre verifique que el césped o la pista por donde se desea pasar la máquina esté libre de trozos de madera, piedras, alambre y otros desechos. Puede ser peligroso el contacto con materiales de esta naturaleza o pueden dañar la máquina, y éstos pueden ser disparados con fuerza por las púas.



Funcionamiento

- Al inclinar el asa hacia abajo o hacia un lado para hacer partir la máquina (en el caso de los cortacéspedes), no lo incline más de lo imprescindible: siempre procure tener ambas manos en posición de operación, y no aproxime los pies a las púas cuando vuelva a colocar la máquina en el suelo.



La máquina seguirá funcionando durante un breve tiempo después de soltar la palanca de conmutación. Siempre deje que la máquina se detenga sola.

- Para apagar la máquina, suelte la palanca de conmutación y saque la clavija del enchufe de corriente eléctrica. Haga esto cada vez que:
 - Deje la máquina sin atención.
 - Al revisar, limpiar, ajustar o trabajar en la máquina.
 - Antes de eliminar cualquier elemento que se haya atascado en la máquina.
 - Si la máquina empezara a vibrar en forma anormal (verifique inmediatamente su causa).
 - Si las púas chocan con algún objeto extraño, examine la máquina para comprobar si se ha dañado y repárela según sea el caso.
- Nunca haga funcionar la unidad cuando esté sobre el lado ni intente parar las púas: siempre permita que se detenga sola.
- No ponga las manos ni los pies cerca ni debajo de piezas giratorias.
- Manténgase en todo momento lejos de las aberturas de eyección.
- Ponga la máquina en marcha cuidadosamente, de acuerdo a las instrucciones, y sin acercarse a los pies a las púas.
- No use la máquina durante tiempo lluvioso, o ni permita que se moje. En lo posible, evite usarla cuando la hierba está mojada.
- Use la máquina solamente a la luz del día o con buena luz artificial.
- No lleve la máquina hacia su cuerpo ni camine hacia atrás mientras esté haciendo funcionar la máquina.
- No atraviese senderos ni caminos de gravilla cuando las púas estén girando.
- Mantenga firme el equilibrio, especialmente en las cuestas.



- Siempre haga cortes atravesando la superficie de una cuesta, nunca hacia arriba y abajo. Tenga sumo cuidado al cambiar de dirección en cuestas.
- No use la máquina para cortar en cuestas excesivamente abruptas, y siempre lleve calzado antideslizante.
- Siempre camine: nunca corra. No fuerce la máquina.
- Nunca levante ni lleve la máquina con el motor andando. Compruebe que el rodillo de las púas haya dejado de girar antes de levantar la máquina para transportarla.
- Para transportar la unidad, tenga mucho cuidado al levantarla.
- Nunca haga funcionar la máquina si los protectores estuvieran defectuosos.

Mantenimiento y almacenamiento

- Cuando no use la máquina, guárdela en un lugar seco, fuera del alcance de los niños.
- Para limpiar la máquina, no utilice ni disolventes ni líquidos de limpieza: use un raspador sin punta para quitar la hierba y la suciedad. Antes de limpiar la máquina, siempre desenchúfela de la corriente eléctrica.
- No ponga la máquina en marcha si tiene alguna pieza estropeada: antes de usar la máquina, quite cualquier pieza defectuosa, cambiándola por una nueva.
- Para asegurar el buen estado de funcionamiento de la máquina, siempre lleve bien apretado todo pasador, tuerca y tornillo.
- Utilice solamente piezas de recambio y accesorios recomendados por Black & Decker.

La política de Black & Decker consiste en mejorar continuamente sus productos, y por tanto se reserva el derecho de cambiar, sin previo aviso, las especificaciones de sus productos.

Doble aislamiento



Esta máquina lleva doble aislamiento. Esto significa que todas las piezas metálicas externas están aisladas eléctricamente,

gracias a una barrera aislante adicional colocada entre las piezas eléctricas y las mecánicas. El doble aislamiento significa mayor seguridad eléctrica y hace innecesario conectar la máquina a tierra.

Seguridad eléctrica



Antes de desconectar la máquina, al sacar clavijas de enchufes o alargaderas, siempre compruebe que la máquina esté apagada en la toma de corriente.

Nota: No conecte Ud mismo una alargadera directamente a la máquina: recomendamos que lleve la máquina al Centro de Servicio Black & Decker más cercano.

Podrá usar su máquina con mayor seguridad si hace que un electricista calificado le instale un disyuntor de alta sensibilidad (30mA) en el cuadro eléctrico de su casa.

Si no tiene instalado un disyuntor de este tipo o no quiere instalarlo, le recomendamos encarecidamente que se suministre energía eléctrica a la máquina a través de un dispositivo de corriente residual de alta sensibilidad (RCD). Estos dispositivos están diseñados para proporcionar un alto grado de seguridad personal evitando las descargas eléctricas, en caso de que se produjera alguna avería.



Advertencia! El uso de un RCD u otra unidad disyuntor de circuitos no exime al usuario de esta máquina de cumplir las instrucciones de seguridad y demás normas de seguridad en el trabajo que se señalan en este manual.

Conjunto del asa (Fig. B)

B

El asa de este producto se suministra ya montada, pero deberá realizar dos pequeñas operaciones antes de usarlo:

Cambio de sentido de las tuercas de mariposa

- Las piezas (8, 9 y 10) que sujetan la parte superior del asa (7) a la inferior (6), van montadas como se ve en la Fig. B1 para protegerlas durante el transporte.
- Deberá quitarlas, montarlas como se ve en la Fig. B2 y apretarlas como se ve en la Fig. B3. Tenga cuidado de no pillar el cable (12) con las tuercas. Esta operación facilita el montaje y desmontaje del recipiente para la hierba.

Alargamiento de la parte superior del asa

Ya puede alargar la parte superior del asa (7) hasta su posición de la Fig. A y apretar **fuerte** las tuercas de mariposa (8, 9 y 10), teniendo cuidado de no pillar el cable (12).

Montaje/desmontaje del recipiente para la hierba (Fig. C)

C

- Saque ahora el recipiente (3 y 4) a través del tubo inferior (6) y abra el portillo en la dirección de la flecha.
- Para volver a poner el recipiente, haga coincidir las puntas de flecha (mostradas en el recuadro) con las de la carcasa de la máquina y encajelo.

Comprobación de la máquina montada

Cuando tenga totalmente montada la máquina, compruebe si presenta alguna anomalía o si falta alguna pieza. El cortacésped debe tener un aspecto como el de la Fig. A.

Comprobación de la cuchilla (Fig. D)



D

¡Atención! Antes de realizar ninguna revisión, desenchufe siempre su cortacésped de la red.

Todos los cortacéspedes se comprueban en fábrica antes de embalarlos, para ver si la cuchilla (23) está bien sujeta. Pero, para su seguridad, le recomendamos que lo compruebe usted también, haciendo lo siguiente:

- Quite el recipiente de la hierba (3 y 4).
- Ponga la máquina de lado para acceder a la parte inferior del alojamiento de la cuchilla (1).
- Sujete la cuchilla (23) con un trapo y, con la llave (20) que se suministra, apriete la tuerca (21) a derechas.

Funcionamiento del cajetín del interruptor (Fig. E)

E

Le recomendamos encarecidamente que, antes de enchufar la máquina a la corriente, se familiarice con el funcionamiento del cajetín del interruptor. Funciona así:

Para poner en marcha la máquina

- Sujete el asa (7) con las dos manos.
- Incline la máquina ligeramente a un lado.

Nota: Si no lo hace así se producirá un corte anormal en el césped.

- Quite la mano izquierda del asa (7) y apriete el botón de desbloqueo (15).
- Con el botón apretado, coja la palanca del interruptor (14) con la mano derecha y apriétela hacia arriba.
- Así funciona la máquina.

- Suelte el botón de desbloqueo (15) y vuelva a coger el asa también con la mano izquierda.

Nota: Si no aprieta el botón (15) en el orden indicado, la máquina no funciona porque la palanca (14) no acciona el interruptor. **¡Este es un mecanismo de seguridad!**

Para parar la máquina

- Incline la máquina ligeramente a un lado.

Nota: Si no lo hace así se producirá un corte anormal en el césped.

- Suelte la palanca del interruptor (14).
- Cuando la cuchilla haya dejado de girar, descance la máquina sobre el césped.

Funcionamiento del asa (Fig. F)

F El margen normal de funcionamiento del asa se indica en la Fig. F como el ángulo F1. Este ángulo permite una posición de trabajo cómoda.

Si quiere guardar la máquina colgada en la pared (posición F2), haga lo siguiente:

- Desenchúfela de la corriente.
- Quite el recipiente de la hierba.
- Baje el asa hasta su posición normal más baja, tire entonces de ella hacia usted y bájela hasta el suelo (sin dejarla caer, pues se podría estropear el interruptor).

Ya puede colgar la máquina de la pared, si lo desea.

Ajuste de la altura de corte (Fig. D & G)

G La altura de corte de este cortacésped se ajusta con unos separadores (22 y 24), del siguiente modo:

- Compruebe si la máquina está desenchufada de la corriente.
- Ponga la máquina de lado para acceder a la parte inferior del alojamiento de la cuchilla (1).
- Sujete la cuchilla (23) con un trapo y, con la llave (20) que se suministra, afloje la tuerca (21) a izquierdas.
- Quite la tuerca de la cuchilla, los separadores y la cuchilla (21-24) y vuelva a montarlos, poniendo un separador de la altura que desee. En la Fig. G puede ver las seis alturas de corte disponibles.

D Una vez elegida la altura, vuelva a montar el conjunto, la cuchilla con las puntas hacia abajo, como se ve en la Fig. D.

- Apriete bien la tuerca de la cuchilla (21).

Nota: La máquina viene de fábrica para una altura de corte de 11mm (Fig. G).

- Ponga siempre tres separadores, no más, pues la máquina no resultaría segura.

Para transportar su máquina (Fig. H)

H Desenchufe la máquina de la corriente, quite el recipiente de la hierba, baje el asa hasta el suelo y, cogiéndola cerca del eje inferior, llévela con la cuchilla hacia fuera.

Cómo usar su máquina (Fig. J)



Quando use su máquina, tenga en cuenta todas las llamadas de atención.

Para conseguir los mejores resultados con su máquina y evitar que se enganche con el cable, le recomendamos seguir el método direccional que se recoge en la Fig. J.

- Coloque la alargadera enrollada en el suelo, cerca del punto de partida (Fig. J, posición 1).
- Sujete el asa de la máquina con las dos manos.

El cajetín del interruptor lleva una ranura para el cable. Para pasar el cable por la ranura:

- Pase el extremo de la alargadera con el enchufe hembra por detrás y enchufe en él el cortacéspedes.
- Haga un bucle en la alargadera, cerca del enchufe (vea la Fig. E).
- Pase el bucle por el lado de la ranura del cajetín contrario a donde está el gancho. Engánchelo y tire del cable hacia atrás hasta que quede tenso.
- La alargadera queda así alejada de la máquina y por detrás del operador, lista para usar.



¡Atención! No intente guiar el cortacéspedes con una sola mano. Llévelo siempre con las dos manos.

- Levante el asa hasta su posición de trabajo.
- Corte el césped como se ve en la Fig. J, (a), yendo de la posición 1 a la posición 2, girando a la derecha al llegar a 2 para ir hacia la 3. Siga así hasta el

J

final, gire a la izquierda y avance hacia la posición 4. Siga así, siempre alejándose del cable. No haga como se ve en la Fig. J (b), yendo hacia el cable, pues podría ser peligroso.

El cortacéspedes funciona mientras tenga apretada la palanca del interruptor. Si la suelta por cualquier motivo, para volver a ponerlo en marcha deberá apretar primero el botón de seguridad del cajetín del interruptor. Así se evita la puesta en marcha inintencionada.

Cuando termine de usar su máquina limpie inmediatamente los restos de hierba, antes de guardarla. Vea la sección de "Cuidados y mantenimiento".

Nota: Para conseguir los mejores resultados, corte el césped periódicamente y nunca cuando esté húmedo.

Protección contra sobrecarga (GX635)

Su máquina lleva en el cajetín del interruptor un dispositivo de protección contra sobrecarga (Fig. A, 25).

Si trata de correr estando el césped crecido, o si las condiciones de trabajo son duras, se recalienta el motor. Lo notará porque baja su velocidad e incluso llegará a pararse. Esto no es una avería, sino un dispositivo de seguridad que protege su máquina.

Cuando esto suceda, suelte la palanca del interruptor y espere 2 ó 3 minutos hasta que se enfríe el motor. Pulse el botón de puesta en marcha (25) y apriete el botón de desbloqueo y la palanca del interruptor.

Si se vuelve a parar el motor, espere por lo menos 10 minutos antes de volver a ponerlo en marcha, aumente la altura de corte (vea la sección "Ajuste de la altura de corte") y vaya más despacio.

Una fuerte sobrecarga puede hacer que el motor tarde más tiempo en enfriarse. Si esto sucede, una vez puesto en marcha deje que funcione algunos minutos en vacío.

Mantenimiento de las cuchillas

La cuchilla de acero está diseñada para un buen acabado en hierba larga o dura, y seguirá cortando aun después de gastarse o desafilarse. No es necesario conservarla totalmente afilada.

Sin embargo, si debido a algún daño o al propio desgaste, empezara a cortar peor, quizás sea necesario cambiarla o, por lo menos, volverla a afilar.

Le recomendamos afilar la cuchilla de acero o cambiarla por una nueva antes de cada sesión de trabajo.

Podrá adquirir cuchillas nuevas en cualquier concesionario o Centro de Servicio Black & Decker.



¡Atención! Use solo las cuchillas de recambios especificadas por Black & Decker para su máquina; no intente colocar ninguna otra cuchilla.

Montaje de una nueva cuchilla



Al cambiar las cuchillas siga al pie de la letra las normas y precauciones.

En la sección "Ajuste de la altura de corte" encontrará instrucciones para cambiar las cuchillas.

Manual de indicaciones

- Siempre anteriormente a utilizar su cortacésped inclínelo ligeramente hacia un lado y hágalo coger la máxima velocidad antes de proceder a cortar el césped.
- Para proceder a cortar hierba alta, sobre 10cm (4 pulgadas), lleve a cabo el corte en dos pasadas. Recomendamos que el primer corte se lleve a cabo con la hoja fijada a la máxima altura de corte, y la segunda pasada con ésta fijada en la altura media de corte, procediendo de esta manera, le será más fácil y dará un mejor acabado de corte a su césped.

Cuidados y mantenimiento

Los consejos que se exponen en este apartado se refieren al cuidado y mantenimiento del cuerpo principal de su cortacésped. En el apartado "Mantenimiento de las cuchillas" encontrarán lo relativo a éstas.



¡Atención! No use alargaderas que puedan estar estropeadas por algún sitio. Coloque un nuevo cable entero; no realice ningún arreglo temporal o permanente.

- Mantenga siempre su máquina limpia de restos de hierba, especialmente por debajo de la carcasa de la cuchilla (2) y en las salidas de ventilación (35). Vea el Fig. A, donde se muestran estas zonas.
- Revise periódicamente todos los cables eléctricos, por si estuvieran gastados, quemados o deteriorados por cualquier otro motivo.
- Le recomendamos que, al final de cada sesión, limpie con una espátula poco afilada la parte de abajo de la tapa de la cuchilla.

- Pase un paño húmedo por todos los componentes de plástico de su cortacésped.

¡Atención! No emplee disolventes ni líquidos limpiadores, pues podrían dañar los componentes de plástico de su máquina.

Localización de averías

Si su máquina no funcionara perfectamente, emplee la siguiente tabla para identificar el problema.



¡Atención! Antes de realizar ninguna revisión, desenchufe siempre su cortacésped de la red.

Síntomas	Posible causa	Remedio
El motor emite un zumbido, pero la cuchilla no se mueve.	Cuchilla atascada.	Desenchufe el cortacésped de la red. Quite lo que está obstruyendo la cuchilla.
No se oye ruido y la cuchilla tampoco se mueve.	Fallo en la conexión eléctrica.	Desenchufe el cortacésped de la red. Enchufe su máquina una fuente de en alimentación eléctrica alternativa (compatible). Coloque un fusible nuevo. Revise todas las conexiones eléctricas de la alargadera y vuelva a apretarlas. Vuelva a cerrar el disyuntor.
La máquina no recoge la hierba cortada.	Recipiente lleno. Entrada de la hierba al recipiente bloqueada. Ranuras de ventilación obstruidas.	Vacíe el recipiente. Quite el recipiente y límpielo. Quite el recipiente de la hierba y limpie el filtro que lleva encima. Limpie también el filtro de la parte posterior de la máquina.
	La altura de corte es de baja potencia para la medida de hierba a cortar. Su máquina lado a lado.	Desenchufe el cortacésped de la red. Revise la cuchilla y su posición o altura de corte. Ponga su máquina en línea recta y al máximo de recogida.

Síntomas	Posible causa	Remedio
Motor atascado.	El motor ha trabajado demasiado, y con una hierba espesa, difícil de cortar.	Desenchufe el cortacésped de la red. Revise la cuchilla y su posición de corte.
La máquina no corta lo suficiente.	La cuchilla ha sido dañada debido al impacto con piedras grandes, con árboles, adoquines o objetos similares.	Desenchufe el cortacésped de la red. Revise cual es la cuchilla dañada. Cambiar por una nueva si es necesario.

Que hacer para la reparación de su cortacésped Black & Decker

En su tarjeta de garantía encontrará información sobre cómo y dónde enviar su máquina a revisar o reparar. Le recomendamos guardar dicha tarjeta, así como el presente manual, en un sitio seguro.

Productos superfluos y el medio ambiente



En caso que algún día encontrara que necesita cambiar este producto, o que ya no le hiciera falta, no olvide proteger el medio ambiente. Los centros Black & Decker de servicio al cliente recibirán sus productos usados y los eliminarán de una manera que no dañe el medio ambiente.

Garantía Black & Decker para productos de cuidar césped y jardín

Esta garantía cubre piezas de repuesto durante 12 meses y mano de obra durante 12 meses. Se requerirá un comprobante de compra.

Si este producto Black & Decker resultara con algún defecto dentro del plazo de la garantía debido a materiales defectuosos o fallos de la mano de obra, garantizamos cambiar toda pieza defectuosa, o, a criterio nuestro, cambiar gratuitamente la unidad, con las siguientes condiciones:

- Se ha de devolver el producto, junto con el comprobante de compra, a nosotros o a nuestros técnicos autorizados.
- Que el producto se haya utilizado de acuerdo a los parámetros de su clasificación de uso.

- Que el producto no se haya utilizado para fines de alquiler.
- Que nadie haya intentado repararlo a menos que sea alguien de nuestro propio personal de mantenimiento o técnicos autorizados.
- El fallo representa desgaste normal.

Esta garantía es ofrecida como un beneficio adicional, y en adición a sus derechos legales.

Condiciones de garantía

No están cubiertas por la garantía las siguientes averías:

- Cambio de cuchillas, hilo de nylon y cadenas, o cables que se hayan dañado durante el almacenamiento o el uso. Se considera que éstos son repuestos que se desgastan durante el uso normal.
- Averías a consecuencia de un impacto repentino o por evidente mal uso.
- Averías que se deriven del inadecuado uso por no haber seguido las instrucciones y recomendaciones que vienen en el manual de instrucciones.

El uso de accesorios y piezas que no sean auténticos de Black & Decker puede dañar o reducir el rendimiento de este producto Black & Decker, y puede anular la garantía.

Servicio de posventa de Black & Decker

Black & Decker ofrece un servicio de posventa en todo el país por medio de centros de servicio de esta empresa. Tenemos como objetivo ofrecer un servicio excelente, reparación rápida, disponibilidad extensiva de piezas y pleno apoyo de accesorios.

En caso de requerir ayuda o asesoría, se ruega contactar al gerente del centro Black & Decker de atención al cliente de su localidad. Se pueden obtener detalles completos de nuestro servicio exclusivo de posventa en cualquiera de nuestros centros de atención al cliente (se halla una lista completa de direcciones al dorso del gráfico de las piezas que viene con su producto).

Otros productos de Black & Decker

Black & Decker ofrece una gama completa de herramientas para uso en exteriores, para hacer más fácil la vida en el jardín. Si desea mayor información

sobre otros productos, contáctese con el centro de información y atención al cliente cuya dirección se encuentra en la contraportada o comuníquese con el distribuidor Black & Decker.

Cortacéspedes, Sierras de cadena, Trituradoras de abono, Recorta-bordes, Recortasetos, Escarificadores, Quitahojas

Certificado de Conformidad de la UE

Declaramos que esta unidad: **GX530, GX635**

cumplen con la directiva:

89/392/EEC, 89/336/EEC, 73/23/EEC,
EN55014, EN60335, EN55104

Su presión sonora ponderada es de 96dB (A)

Su potencia sonora ponderada es de 109dB (A)

Las vibraciones ponderadas al brazo/la mano son de $<2.5\text{m/s}^2$



Brian Cooke

Director de Ingeniería

Spennymoor, County Durham DL16 6JG, Reino Unido

Corta-Relva de Colchão de Ar GX530/GX635


Manual de instruções

Parabéns!

Pela compra deste corta relvas da Black & Decker.

Este manual contém instruções sobre o funcionamento e manutenção de todos os corta-relvas de colchão de ar da série GX530/GX635 da Black & Decker.

A máquina

 Leia este manual com atenção. Cumpra todas as instruções de segurança recomendadas antes, durante e depois da utilização da máquina, mantendo-a em boas condições de funcionamento.

Familiarize-se com os comandos da máquina antes de tentar utilizá-la, mas acima de tudo, certifique-se de que consegue pará-la em caso de emergência. Conserve este manual e quaisquer outras instruções fornecidas juntamente com a máquina, em caso de necessidade futura.

Instruções de segurança

Formação

- Não permita que crianças, pessoas não familiarizadas com este tipo de máquina ou que não tenham lido este manual, utilizem a máquina.



Não permita a aproximação de crianças, animais ou mesmo adultos, quando estiver a utilizar a máquina. Mantenha qualquer pessoa a uma distância de pelo menos 6m da área de operação.

- Lembre-se que o utilizador é o principal responsável por quaisquer acidentes que possam acontecer a outras pessoas ou na área em questão.
- A máquina foi concebida para funcionar unicamente com corrente alterna - não tente utilizá-la com qualquer outro tipo de energia.
- Ligue a máquina a uma tomada - não a um casquilho de lâmpada.
- Nunca transporte a máquina pendurada pelo cabo, nem puxe por este para retirar da tomada. Não deixe o cabo perto de zonas quentes, óleo ou objectos cortantes. Verifique o estado do



cabo antes de utilizar a máquina e nunca a utilize com o cabo danificado.

Preparação



- Use botas ou sapatos fortes para proteger os pés. A relva cortada recentemente é húmida e escorregadia.
- Utilize equipamento de protecção. Use óculos de protecção ou viseira quando utilizar a máquina.
- Utilize uma máscara se o ambiente se encontrar saturado de poeira.
- Utilize protecções para os ouvidos se o nível de som o incomodar durante a utilização da máquina.
- Não utilize a máquina se se encontrar descalço ou se calçar sandálias.
- Use calças compridas para proteger as pernas - qualquer detrito deixado na relva poderá ser recolhido e projectado pelos dispositivos de limpeza do aparelho.
- O cabo de alimentação deverá ser verificado regularmente para se certificar de que não se encontra danificado nem demasiado velho para ser utilizado, devendo apenas ser utilizado se se encontrar em boas condições
- Mantenha sempre o cabo de alimentação afastado dos dispositivos de limpeza - Verifique a posição do cabo com alguma frequência.
- Certifique-se sempre de que a máquina se encontra em boas condições de funcionamento.
- Antes de utilizar a máquina, desligue-a da unidade de alimentação e observe se a lâmina e as partes rotativas se encontram avariadas. Lâminas danificadas e parafusos gastos constituem um perigo. Verifique também se a lâmina se encontra bem presa. (Inspeccione frequentemente todas as porcas e todos os parafusos.)
- Verifique sempre se a relva ou o caminho onde vai ser efectuado o varrimento não têm detritos, paus, pedras ou arames. Se a máquina entrar em contacto com este tipo de detritos poderá danificar-se ou poderá projectá-los, causando ferimentos graves.



Funcionamento

- Quando movimentar a pega para baixo ou para os lados, de modo a efectuar o arranque da máquina (aparadores), faça-o apenas enquanto for necessário. Antes de colocar a máquina no chão, certifique-se de que segura na máquina com ambas as mãos e de que os pés se encontram bem longe dos dispositivos de limpeza.



A estrutura dos dispositivos de limpeza continua a trabalhar durante algum tempo, mesmo depois de soltar o interruptor, deixe que a máquina pare sozinha.

- Liberte o interruptor para parar a máquina e desligue-a da tomada:
 - Sempre que abandonar a máquina.
 - Antes de verificar, limpar, ajustar ou efectuar qualquer trabalho na máquina.
 - Antes de solucionar um bloqueio dos dispositivos de limpeza.
 - Se a máquina começar a vibrar de forma estranha (verificar imediatamente).
 - Após ter dado uma pancada num objecto estranho. Verifique se a máquina se encontra danificada e efectue as reparações necessárias.
- Não tente em qualquer circunstância, voltar a máquina de lado enquanto está a trabalhar, nem tente parar os dispositivos de limpeza. Deixe que a máquina pare sozinha.
- Não coloque as mãos ou os pés perto ou debaixo de peças em movimento.
- Mantenha-se sempre longe dos orifícios de descarga.
- Inicie a utilização da máquina cuidadosamente, respeitando as indicações do manual, e mantendo os pés bem afastados dos dispositivos de limpeza.
- Não utilize a máquina quando estiver a chover ou com tempo húmido e não deixe que esta se molhe. Se possível, evite utilizar a máquina em relva molhada.
- Utilize a máquina apenas de dia ou com uma boa iluminação artificial.
- Não desloque a máquina na sua direcção ou para trás quando a utilizar.
- Não atravesse caminhos de areia grossa ou cascalho enquanto os dispositivos de limpeza se encontrarem em funcionamento.



- Verifique sempre a sua posição, especialmente em inclinações.
- Efectue sempre a operação ao longo de inclinações, nunca para cima ou para baixo. Seja extremamente cuidadoso quando mudar de direcção em inclinações.
- Não efectue quaisquer operações em inclinações muito pronunciadas e utilize sempre calçado não escorregadio.
- Caminhe, nunca corra. Não force a máquina.
- Nunca levante nem transporte a máquina enquanto o motor se encontrar em funcionamento. Certifique-se de que os dispositivos de limpeza se encontram parados quando levantar ou transportar a máquina.
- Seja extremamente cuidadoso ao levantar a máquina.
- Nunca utilize a máquina se os seus resguardos ou coberturas se encontrarem danificados.

Manutenção e armazenamento

- Quando não utilizar a máquina, guarde-a num local seco, de preferência longe do alcance das crianças.
- Não utilize solventes ou líquidos de limpeza para limpar a máquina - use uma raspadeira para retirar a relva e a sujidade. Desligue sempre a máquina antes de a limpar.
- Não utilize a máquina se alguma das peças se encontrar em más condições. Antes de utilizar a máquina, retire as peças defeituosas e substitua-as por peças novas.
- Mantenha todas as porcas, cavilhas e parafusos bem apertados para se certificar de que a máquina se encontra em boas condições de funcionamento.
- Utilize apenas peças e acessórios recomendados pela Black & Decker

A política da Black & Decker tem como objectivo o melhoramento contínuo dos seus produtos e, para tal, reserva-se o direito de alterar as especificações dos seus produtos sem aviso prévio.

Duplo isolamento



Esta máquina possui um isolamento duplo, ou seja, todas as peças metálicas se encontram isoladas da alimentação. Este isolamento obtém-se colocando uma barreira de isolamento adicional entre as peças mecânicas e as eléctricas.

O isolamento duplo proporciona uma maior segurança a nível eléctrico, e evita a ligação da máquina numa tomada terra.

PORTUGUÊS

Segurança eléctrica



Deve desligar sempre a máquina da corrente, antes de desligar qualquer ficha, tomada ou extensão, da corrente.

Nota: Os fusíveis não servem de protecção contra choques eléctricos.

Poderá obter uma maior segurança se pedir a um electricista que instale um disjuntor de grande sensibilidade (30mA) no sistema eléctrico da sua residência.

Se esse disjuntor não se encontrar instalado, ou não desejar instalá-lo, recomenda-se que o fornecimento de corrente eléctrica para o aparelho seja efectuado por um dispositivo RCD. Este dispositivo foi concebido para proporcionar um elevado grau de segurança pessoal contra correntes prejudiciais, em caso de falha.



Atenção! A utilização de um dispositivo RCD ou de um disjuntor não impede que o utilizador continue a seguir as instruções e procedimentos de segurança ilustrados neste manual.

Montagem da pega (Fig. B)

B

As pegas deste corta-relva foram previamente montadas, mas duas pequenas operações são necessárias antes da sua utilização:

Porca de orelhas

- As peças 8, 9 e 10 que fixam a pega superior à inferior foram montadas conforme a Fig. B1 para protegê-las do transporte.
- Deve desmontá-las (Fig. B2) e torne a montar conforme mostrado na Fig. B3, tendo o cuidado de não entalar o cabo eléctrico (12) entre as pegas.
- Com a pega já na posição indicada na Fig. A, as peças 8, 9 e 10 devem ser apertadas firmemente.

Remoção/colocação da caixa de aparas (Fig. C)

C

- A caixa de aparas (3 e 4) pode agora ser removida e a sua tampa aberta conforme indicado pela seta.
- Para montar a caixa de aparas inverta a operação, utilizando as setas no corpo da caixa para posicionamento correcto da mesma na montagem.

Inspecção do corta relva

Confira se todas as peças foram montadas ou se alguma está danificada, A máquina deverá ficar com o aspecto indicado na Fig. A.

Verificação da lâmina (Fig. D)



D

Aviso! Desligue sempre a máquina da corrente, antes de proceder a qualquer inspecção.

Todos os produtos fabricados são inspeccionados antes do seu embalamento para garantir que a lâmina (23) está segura mas, para sua segurança, sugerimos que o faça também, através do seguinte método:

- Remova a caixa de aparas (3 e 4).
- Volte a máquina sobre um dos lados expondo a zona de corte.
- Segure a lâmina (de preferência use luvas ou cubra-a com um pano) e com a chave (20). Aperte a porca (21) no sentido dos ponteiros do relógio.

Caixa do interruptor (Fig. E)

E

Recomendamos que antes de ligar o corta-relva à corrente, perceba claramente o funcionamento da caixa do interruptor.

Para ligar a máquina

- Segure a pega (7) com as duas mãos.
- Incline ligeiramente a máquina para um dos lados.

Nota: Se não fizer este movimento poderá ficar um círculo marcado na relva.

- Com a mão esquerda pressione o botão de travamento (15). Simultaneamente puxe o interruptor (14) para si com a mão direita.
- A máquina começará a funcionar.
- Solte o botão (15) e volte a agarrar a pega com a mão esquerda.

Nota: Se o botão de travamento não for pressionado o interruptor não activará o motor.
Trata-se de um dispositivo de segurança!

Para parar a máquina

- Incline a máquina ligeiramente para um dos lados para não provocar uma marca-circular no relvado e solte a patilha (14).
- Pouze a máquina quando a lâmina tiver parado completamente.

Uso da pega (Fig. F)

F A ângulo de utilização normal da pega é mostrado na Fig. F como ângulo F1. Este ângulo permite uma posição de trabalho confortável.

Se desejar pendurar o seu corta-relva numa parede (Posição F2) proceda deste modo:

- Desligue a máquina da corrente.
- Retire a caixa de aparas.
- Baixe a pega até à posição de trabalho. Puxe-a para si e baixe-a até ao solo (sem a deixar cair para não danificar a caixa do interruptor) e poderá então pegar na máquina para a pendurar em qualquer parede.

Ajuste da altura de corte (Fig. D & G)

G O ajuste da altura de corte desta máquina é feito por meio de espaçadores da lâmina (22 & 24). O método é o seguinte:

- Desligue a máquina da corrente.
- Volte a máquina, expondo a lâmina.
- Desaperte e retire a lâmina e os espaçadores (21-24) e volte a montá-la com a regulação de altura de corte desejada. Veja a Fig. G, que mostra as 6 alturas de corte possíveis.

D Uma vez seleccionada a altura de corte, volte a fixar a lâmina (23) com as pontas voltadas para baixo (Fig. D), apertando bem a porca de fixação (21).

Nota: A sua máquina é fornecida com uma altura de corte regulada para 11mm (Fig. G).

- Monte sempre 3 espaçadores. Maior número tornará a máquina insegura para utilização.

Para transportar a sua máquina (Fig. H)

H Desligue a máquina da corrente. Retire a caixa de aparas, baixe a pega para a posição "park" e transporte-a como indicado na Fig. H, com a lâmina voltada para fora.

Como utilizar a sua máquina (Fig. J)



Tenha atenção aos avisos mais importantes ao trabalhar.

Recomendamos o corte na direcção indicada na Fig. J para obter melhores resultados, bem como para minimizar o risco de acidentes com a extensão de cabo.

- Coloque o rolo da extensão junto ao ponto de partida (Fig. J Posição 1).



- Ligue a extensão ao pequeno cabo que sai da caixa do interruptor.
- Faça uma dobra na extensão, passe-a através da ranhura existente na caixa do interruptor e prenda-a napatilha mostrada na Fig. E de modo a que não haja perigo de tropeçar ou prender as pernas do utilizador.

Aviso! Não tente conduzir o corta-relva com uma só mão. Utilize ambas ao trabalhar.

J

- Levante a pega para retirar da posição "park".
- Avance para a zona de corte como mostrado na Fig. Ja, começando do ponto 1 para o ponto 2, rode para a direita (3) e faça o trajecto paralelo inverso. A seguir rode à esquerda (4) e repita as operações anteriores. A Fig. Jb mostra a maneira incorrecta de cortar o seu relvado, quer pela qualidade do acabamento, quer pelo perigo de acidente com a extensão de cabo.

A máquina funcionará enquanto pressionar a patilha do interruptor. Uma vez solta, só voltará a funcionar quando o botão de travamento for pressionado. Este dispositivo evita o arranque acidental da máquina.

Quando terminar o trabalho, recomendamos que proceda à limpeza da zona de corte e restantes. Veja "Cuidados e manutenção".

Nota: Para obter melhores resultados, corte a relva regularmente e, não o faça quando esta está molhada.

Protecção contra sobrecarga (GX635)

A sua máquina está protegida contra sobrecarga através de um dispositivo próprio. Para reactivar o dispositivo pressione o botão 25 como mostra a Fig. A.

O corte da relva muito alta ou efectuado muito rapidamente, pode sobrecarregar o motor e causar uma perda de potência do mesmo ou o corte de energia na totalidade. Não se trata de uma avaria. É um dispositivo de protecção do motor. Sempre que tal aconteça, solte o interruptor, espere 2 ou 3 minutos, pressione o botão 25 e volte a ligar a máquina através do procedimento habitual.

Se o dispositivo de protecção voltar a actuar num prazo de 10 minutos, deverá regular o corte para uma altura superior e executá-lo lentamente.

Quando a relva estiver bastante alta, deve efectuar um primeiro corte à altura máxima e uma segunda passagem com a altura mais baixa desejada.

Manutenção das lâminas

A lâmina de aço é indicada para dar um bom acabamento ao corte de relva comprida ou rija. A lâmina continuará a cortar, mesmo se deixar de ter fio ou se tornar áspera, pois não se torna necessário que seja muito afiada.

Se, contudo, devido a avaria ou desgaste a qualidade do corte diminuir, então pode tornar-se necessário substituir a lâmina do corta relvas ou, pelo menos, afiar a lâmina existente.

Recomenda-se que a lâmina de aço seja novamente afiada, ou que seja colocada uma nova lâmina no começo de cada sessão de trabalho.

Poderá adquirir novas lâminas no Representante local de Black & Decker.



Aviso! Quando adaptar uma nova lâmina utilize apenas peças Black & Decker específicas para a sua máquina - não tente adaptar nenhum outro tipo de lâmina.

Sugestões

- Antes de começar a cortar a relva, incline um pouco o corta relvas para um dos lados. Ligue-o e deixe-o atingir a sua velocidade máxima em vazio, e só depois comece a cortar a relva.
- Em relva grande (10cm), corte em duas vezes. Recomendados que primeiro use uma altura de corte superior, e no segundo corte use uma altura inferior. Com este processo você terá uma maior durabilidade na máquina e conseguirá um corte mais perfeito.

Cuidados e manutenção

Nesta secção encontrará informações sobre a manutenção e os cuidados a ter com o corpo principal da máquina. O capítulo “Manutenção das lâminas” fornece-lhe informações sobre as lâminas.



Aviso! Não utilize uma extensão de cabo danificada, nem a tente reparar, mesmo temporariamente. Adapte uma nova.

- Mantenha sempre a máquina limpa e livre de ervas, especialmente por baixo da base do corta relvas (2) e os ventiladores (35).
- Verifique regularmente se os cabos eléctricos apresentam sinais de desgaste, ou se se encontram de qualquer modo danificados.
- Recomenda-se que, no fim de cada sessão de corte, retire a erva acumulada por baixo da cobertura da lâmina com um raspador rombo.

PORTUGUÊS

- Limpe todas as partes de plástico com um pano húmido.

Aviso! Não utilize diluentes ou líquidos de limpeza para não danificar as partes de plástico da máquina.

Resolução de problemas

Se o corta relvas não funcionar devidamente, estude o quadro que se segue para localizar o problema.



Aviso! Desligue sempre a máquina da corrente, antes de proceder a qualquer inspeção.

Problema	Causas possíveis	Solução
O motor trabalha mas a lâmina não se mexe.	Lâmina encravada.	Desligue a máquina. Remova o que quer que obstrua a lâmina.
O motor não trabalha e a lâmina não se mexe.	Má ligação eléctrica.	Desligue a máquina. Ligue a máquina a uma unidade de alimentação alternativa (compatível). Adapte um novo fusível. Volte a apertar, e verifique todas as ligações eléctricas das extensões de cabo.
Relva não é recolhida.	Caixa cheia. Entrada de aparas entupida. Entrada de ar obstruída. A altura de corte é baixa, e, a relva é muito alta. O corta relva anda a cortar sem ser a direito.	Esvaziar caixa de aparas. Retire a caixa de aparas e limpe a abertura na base. Retire a caixa de aparas e limpe o filtro no topo da mesma. Limpe também o filtro na rectaguarda do corta-relva. Desligue o corta relva da fonte de energia, e mude a lâmina para uma posição superior. Corte a relva em linhas rectas, para maximizar a recolha de relva.

Problema	Causas possíveis	Solução
Motor encravado.	O motor está em sob carga devido à relva ser grande e grossa.	Desligue o corta relva da fonte de energia, e regule a altura de corte, para uma posição mais alta.
Baixa performance de corte.	Lâmina danificada, por ter batido em pedras raízes ou outro tipo de objectos.	Desligue o corta relva da fonte de energia. Verifique os estragos da lâmina e substitua por uma nova se for necessário.

O que fazer se a sua máquina Black & Decker precisar de ser reparada

No cartão de garantia, encontrará informações sobre como e onde enviar a máquina para ser reparada ou para ser revista. Recomendamos que guarde este cartão e este manual em lugar seguro.

Protecção do ambiente



Se um dia quiser substituir a máquina ou se não desejar utilizá-la mais, pense no ambiente que o rodeia. Os centros de serviço da Black & Decker aceitam as suas máquinas usadas, eliminando-as de forma segura.

Garantia Black & Decker

Se esta máquina apresentar algum defeito de material ou fabrico dentro dos 12 meses seguintes à data da sua aquisição, a Black & Decker garante quer a reparação, por substituição das peças defeituosas, quer a eventual substituição da própria máquina, sem quaisquer encargos, desde que:

- A máquina seja entregue em qualquer centro de assistência autorizado da Black & Decker, acompanhada de um comprovativo da sua compra.
- A máquina tenha sido utilizada de acordo com a sua especificação - amadora.
- A máquina não tenha sido utilizada para usos profissionais.
- Não tenha sido tentada a sua reparação por pessoal não autorizado pela Black & Decker.

Esta garantia é oferecida como um benefício adicional aos seus direitos enquanto cliente.

Política de garantia

Não são cobertas pela garantia as avarias provocadas por:

- Substituição de lâminas danificadas ou gastas, linha de nylon, correntes ou cabos danificados durante o armazenamento ou utilização do aparelho. Estes elementos são entendidos como material de substituição que se desgasta durante a utilização normal da máquina.
- Pancadas ou utilização abusiva do aparelho.
- Utilização indevida do aparelho e desrespeito pelas instruções e recomendações incluídas neste manual de instruções.

A utilização de outros acessórios e peças que não Black & Decker poderá danificar ou reduzir o desempenho da máquina e anular a garantia.

Serviço pós-venda da Black & Decker

A Black & Decker proporciona um serviço pós-venda a nível nacional, através dos seus centros de assistência. É nosso objectivo proporcionar ao cliente um excelente serviço, reparações rápidas, disponibilidade de peças e apoio total a nível da aquisição de acessórios.

Se necessitar de qualquer ajuda ou conselho, entre em contacto com o seu centro de assistência Black & Decker local.

Produtos Black & Decker

A Black & Decker possui uma vasta gama de produtos para exteriores, que facilitam todas as tarefas de jardinagem. Se deseja obter mais informações sobre outros produtos Black & Decker, entre em contacto com um dos serviços de informações da Black & Decker (moradas na contracapa) ou com um revendedor Black & Decker.

Corta- relvas, Corta- sebes, Trituradores, Aparadores de relva, Electrosserras, Escarificadores, Aspirador/soprador de folhas

EC Declaração de Conformidade

Declaramos que o produto: **GX530, GX635** estão de acordo com: 89/392/EEC, 89/336/EEC, 73/23/EEC, EN55014, EN60335, EN55104

Pressão sonora 96dB (A)

Potência sonora 109dB (A)

Vibração <2.5m/s²

Brian Cooke

Engenheiro Responsável

Spennymoor, County Durham DL16 6JG, United Kingdom

Αιωρούμενη χλοοκοπτική μηχανή GX530/GX635

Οδηγίες χρήσεως

Συγχαρητήρια!

Αγοράσατε τη χλοοκοπτική μηχανή της Black & Decker.

Το εγχειρίδιο αυτό παρέχει οδηγίες λειτουργίας και συντήρησης για όλα τα μηχανήματα θερισμού χλόης στη σειρά του μοντέλου Black & Decker GX530/GX635.

Εξοικειωθείτε με το μηχάνημά σας



Διαβάστε προσεκτικά αυτό το εγχειρίδιο, ακολουθώντας όλες τις συνιστώμενες οδηγίες ασφάλειας πριν, κατά τη διάρκεια και μετά τη χρήση του μηχανήματός σας. Συντηρήστε το μηχάνημά σας σε καλή κατάσταση.

Εξοικειωθείτε με τα κοντρόλ του μηχανήματός σας πριν επιχειρήσετε να το λειτουργήσετε και προ παντός εξασφαλίστε ότι γνωρίζετε πως να σταματήσετε το μηχάνημά σας σε έκτακτη ανάγκη.

Φυλάξτε αυτό το εγχειρίδιο και όλα τα άλλα έντυπα τα οποία παρέχονται με το μηχάνημά σας για μελλοντική χρήση.

Οδηγίες ασφάλειας

Εκπαίδευση

- Μην επιτρέπετε ποτέ σε παιδιά ή άτομα τα οποία δεν είναι εξοικειωμένα με μηχανήματα αυτού του τύπου να το χρησιμοποιήσουν. Το ίδιο ισχύει και για άτομα που δεν έχουν μελετήσει αυτές τις οδηγίες.
- Μην επιτρέπετε σε παιδιά, ζώα και άλλα άτομα να πλησιάζουν το μηχάνημά σας όταν βρίσκεται σε λειτουργία. Φροντίστε να βρίσκονται πάντα σε τουλάχιστον 6 μέτρα απόσταση από το χώρο κοπής.
- Έχετε υπ' όψη σας ότι ο χρήστης είναι υπεύθυνος για τυχόν ζημιές και ατυχήματα που προκαλούνται σε άλλα άτομα και στην περιουσία τους.
- Το μηχάνημά σας είναι σχεδιασμένο μόνο για λειτουργία σε οικιακό ρεύμα - μην επιχειρείτε να το χρησιμοποιήσετε με οποιονδήποτε άλλο τύπο ρεύματος.



- Συνδέστε το μηχάνημά σας σε μία πρίζα - ποτέ σε υποδοχή φωτός.
- Μη μεταφέρετε ποτέ το μηχάνημά σας κρατώντας το από το καλώδιο και μην τραβάτε το καλώδιο για να το αποσυνδέσετε. Φυλάξτε το καλώδιο μακριά από πηγές θερμότητας, λάδια ή αιχμηρές ακμές. Ελέγξτε την κατάσταση του καλωδίου πριν τη χρήση και μην το χρησιμοποιείτε αν είναι χαλασμένο.

Προσομοίωση



- Για την προστασία των ποδιών σας, φοράτε πάντα ανθεκτικά παπούτσια ή μπότες - το φρεσκοκομμένο γρασίδι είναι υγρό και γλιστερό.
- Χρησιμοποιήστε προστατευτικό εξοπλισμό. Φορέστε προστατευτικά γυαλιά κατά τη διάρκεια της χρήσης του μηχανήματός σας.
- Χρησιμοποιήστε μία μάσκα προσώπου αν υπάρχουν σκόνες.
- Χρησιμοποιήστε προστασία για την ακοή αν το επίπεδο θορύβου είναι ενοχλητικό κατά τη διάρκεια της χρήσης του μηχανήματός σας.
- Μη χρησιμοποιείτε το μηχάνημά σας ξυπόλυτος ή με ανοιχτά σανδάλια.
- Φορέστε μακριά παντελόνια για την προστασία των ποδιών σας - οποιαδήποτε σκουπίδια βρίσκονται στο γρασίδι ή στην πορεία σκαλισματος είναι δυνατόν να αρπαχτούν από τα δόντια του μηχανήματος και να πεταχτούν.
- Το καλώδιο παροχής ρεύματος πρέπει να ελέγχεται συχνά για τυχόν βλάβες ή φθορά και πρέπει να το χρησιμοποιείτε μόνο αν βρίσκεται σε καλή κατάσταση.
- Διατηρήστε πάντα το καλώδιο μακριά από τα δόντια του μηχανήματος- πρέπει πάντα να προσέχετε τη θέση του.
- Εξασφαλίστε ότι το μηχάνημά σας βρίσκεται πάντοτε σε ασφαλή κατάσταση λειτουργίας.
- Προτού χρησιμοποιήσετε τη μηχανή σας, αποσυνδέστε την από την ηλεκτρική τροφοδοτηση και επιθεωρήστε την λεπίδα



και τα ανταλλακτικά περιστροφής, οπτικά, για τυχόν βλάβη. Οι χαλασμένες λεπίδες και τα φθαρμένα περικοχλία είναι μεγάλοι κίνδυνοι. Επίσης ελέγξατε η λεπίδα να είναι στερεωμένη καλά.

Εξετάζετε ταχτικά

όλα τα παξιμάδια και τους κοχλίες.

- Ελέγξτε πάντα ότι το γρασίδι είναι καθαρό και χωρίς κλαδιά, πέτρες, σύρματα και άλλα σκουπίδια. Επαφή με σκουπίδια τέτοιου είδους μπορεί να είναι επικίνδυνη ή να προκαλέσει βλάβη στο μηχανήμα σας.

Λειτουργία

- Όταν στρέφετε τη χειρολαβή προς τα κάτω ή προς τα πλάγια για να θέσετε το μηχανήμα σε λειτουργία (κουρευτικά), μην το στρέψετε περισσότερο από όσο είναι απολύτως απαραίτητο. Εξασφαλίστε πάντα ότι και τα δύο χέρια σας βρίσκονται στη θέση λειτουργίας και τα πόδια σας βρίσκονται μακριά από τα δόντια πριν επιστρέψετε το μηχανήμα στο έδαφος.



Το μηχανήμα θα εξακολουθήσει να λειτουργεί για ένα μικρό διάστημα αφού αφήσετε το μοχλό διακόπτη. Αφήστε πάντα το μηχανήμα να σταματήσει μόνο του.

- Αφήστε το μοχλό διακόπτη για να κλείσετε το μηχανήμα και αφαιρέστε το φιλ από την πρίζα:
 - Όποτε αφήνετε το μηχανήμα σας μόνο του στον κήπο.
 - Πριν ελέγξετε, καθαρίσετε, ρυθμίσετε ή εργαστείτε πάνω στο μηχανήμα.
 - Πριν καθαρίσετε ένα μπλοκάρισμα.
 - Αν το μηχανήμα αρχίσει να δονείται ανώμαλα (ελέγξτε αμέσως).
 - Μετά από σύγκρουση με οποιοδήποτε αντικείμενο. Ελέγξτε το μηχανήμα για τυχόν βλάβες και διορθώστε ο,τι είναι απαραίτητο.
- Μη λειτουργείτε ποτέ το μηχανήμα όταν βρίσκεται στο πλευρό του και μην επιχειρείτε να σταματήσετε τα δόντια. Αφήστε το πάντα να σταματήσει μόνο του.
- Μη βάζετε τα χέρια ή τα πόδια κοντά ή κάτω από τα περιστρεφόμενα εξαρτήματα.



- Δεν πρέπει ποτέ να βρίσκεστε μπροστά στα ανοίγματα εκβολής.
- Θέστε προσεχτικά το μηχανήμα σε λειτουργία, σύμφωνα με τις οδηγίες και με τα πόδια σας μακριά από τα δόντια.
- Μη χρησιμοποιείτε το μηχανήμα σας στη βροχή και μην το αφήνετε να βραχεί. Αν είναι δυνατό, αποφεύγετε τη χρήση του μηχανήματος σε υγρό γκαζόν.
- Χρησιμοποιήστε το μηχανήμα σας στο φως της ημέρας ή σε καλά φωτισμένους χώρους.
- Μην τραβάτε το μηχανήμα σας προς το σώμα σας και μην περπατάτε προς τα πίσω όταν χρησιμοποιείτε το μηχανήμα σας.
- Μη διασχίζετε μονοπάτια από χαλίκι ή δρόμους κατά τη διάρκεια που περιστρέφονται τα δόντια.
- Εξασφαλίστε πάντα ότι στεκόσαστε σταθερά, ειδικά σε πλαγιές.
- Όταν κόβετε σε πλαγιές, κόψτε στα οριζόντια και όχι πάνω κάτω. Πρέπει να είσαστε πολύ προσεχτικός όταν αλλάζετε κατεύθυνση σε πλαγιές.
- Μην κόβετε σε υπερβολικά απότομες πλαγιές και φοράτε πάντα υποδήματα που δεν γλιστρούν.
- Μην τρέχετε ποτέ, απλώς περπατάτε. Μην πιέζετε υπερβολικά το μηχανήμα.
- Μη σηκώνετε και μη μεταφέρετε το μηχανήμα σας όταν περιστρέφεται ο κινητήρας. Εξασφαλίστε ότι τα δόντια έχουν σταματήσει να περιστρέφονται όταν σηκώνετε το μηχανήμα σας για μεταφορά.
- Όταν μεταφέρετε το μηχανήμα σας πρέπει να το σηκώνετε με μεγάλη προσοχή.
- Μη χρησιμοποιείτε το μηχανήμα με χαλασμένους προφυλακτήρες.

Συντήρηση και αποθήκευση

- Αποθηκεύστε το μηχανήμα σας σε ένα στεγνό χώρο και μακριά από παιδιά όταν δεν το χρησιμοποιείτε.
- Μη χρησιμοποιείτε διαλυτικά ή καθαριστικά υγρά για να καθαρίσετε το μηχανήμα σας - χρησιμοποιήστε ένα ξυστήρι για να αφαιρέσετε τα γρασίδια και άλλες ακαθαρσίες. Πρέπει πάντα να αποσυνδέετε το μηχανήμα από το ρεύμα πριν το καθαρίσετε.

- Μη λειτουργείτε το μηχάνημά σας αν οποιοδήποτε από τα εξαρτήματα έχει βλάβη. Πετάξτε όλα τα χαλασμένα εξαρτήματα και αντικαταστήστε τα με νέα εξαρτήματα πριν τη χρήση.
- Διατηρήστε όλα τα παξιμάδια, μπουλόνια και βίδες σφιχτά για να είστε σίγουρος ότι το μηχάνημά σας βρίσκεται σε ασφαλή κατάσταση λειτουργίας.
- Χρησιμοποιήστε μόνο τα συνιστώμενα εξαρτήματα και αξεσουάρ της Black & Decker.

Η πολιτική της Black & Decker είναι για συνεχή βελτίωση των προϊόντων της και ως εκ τούτου επιφυλλάσει το δικαίωμα να αλλάξει τις προδιαγραφές των προϊόντων χωρίς καμία προειδοποίηση.

Διπλή μόνωση



Το μηχάνημά σας έχει διπλή μόνωση. Αυτό σημαίνει ότι όλα τα εξωτερικά μεταλλικά εξαρτήματα είναι μονωμένα από το ρεύμα. Αυτό επιτυγχάνεται με την τοποθέτηση ενός επιρόσθετου μονωτικού στρώματος μεταξύ των ηλεκτρικών και των μηχανικών εξαρτημάτων. Η διπλή μόνωση σημαίνει μεγαλύτερη ηλεκτρική ασφάλεια και εξουδετερώνει την ανάγκη γείωσης του μηχανήματος.

Ηλεκτρική ασφάλεια

Σημείωμα: Μη συνδέετε ποτέ μία μπαλαντέζα κατ' ευθείαν στο μηχάνημά σας. Πηγαίνετε το μηχάνημά σας στο πλησιέστερο κέντρο σέρβις της Black & Decker.

Για μεγαλύτερη ασφάλεια, μπορεί ο ηλεκτρολόγος να εγκαταστήσει μία ειδική ασφάλεια των 30mA στην οικιακή καλωδίωση. Αν δεν έχετε εγκατεστημένη μία ειδική ασφάλεια αυτού του είδους ή δεν επιθυμείτε να την εγκαταστήσετε, σας συνησιούμε ότι το ρεύμα τροφοδοσίας του μηχανήματος πρέπει να παρέχεται μέσω μίας συσκευής RCD (Συσκευή συνεχόμενης τάσης). Το RCD είναι σχεδιασμένο για την παροχή προσωπικής προστασίας εναντίον πιθανής ηλεκτροπληξίας σε περίπτωση βλάβης.

Προσοχή! Η χρήση ενός RCD ή (διακόπτης παροχής) άλλου τύπου δεν απαλλάσσει το χρήστη του



μηχανήματος από τις οδηγίες ασφαλείας και τις σωστές μεθόδους εργασίας που αναφέρονται σ' αυτό το εγχειρίδιο.

Συναρμολόγηση της λαβής (Εικόνα Β)

B

Οι λαβές αυτού του προϊόντος έχουν πλήρως συναρμολογηθεί πριν από την παράδοση, αλλά χρειάζονται δύο μικρές προσαρμογές για να προετοιμασούν τη συσκευή για χρήση. Αυτές είναι ως εξής:

Αντιστροφή του πτερυγιωτού

- Οι συναρμολογήσεις (8, 9 & 10) που στερεώνουν την άνω λαβή (7) πάνω στην κάτω λαβή (6) έχουν ήδη συναρμολογηθεί, όπως φαίνεται στην Εικόνα Β1 για να προστατεύονται κατά τη διάρκεια μεταφοράς.
- Σας συμβουλεύουμε να αποσυναρμολογήσετε αυτά τα είδη (βλέπε Εικόνα Β2) και επανασυναρμολογήστε τα και πάλιν, όπως φαίνεται στην Εικόνα Β3, και να φροντίσετε να μην πατάτε το καλώδιο (12) μεταξύ των λαβών κατά τη διαδικασία. Η επιχείρηση αυτή θα βοηθήσει στην αφαίρεση και επανεφαρμογή του γυάλινου κιβωτίου.

Ξεδιπλώνοντας την άνω λαβή

Η άνω λαβή (7) τώρα μπορεί να ξεδιπλωθεί στη θέση που φαίνεται στην Εικόνα Α και τα πτερυγιωτά (8, 9 & 10) σφίγγονται **γερά**. Να φροντίσετε να μην πατάτε το καλώδιο του κινητήρα (12) κατά τη διαδικασία.

Αφαίρεση/εφαρμογή του κιβωτίου γρασιδιού (Εικόνα C)

C

- Το κιβώτιο γρασιδιού (3 & 4) τώρα μπορεί να αποσυρθεί μέσω του σωλήνα λαβής (6), και η πόρτα του κιβωτίου γρασιδιού μπορεί να ανοίξει.
- Για να εφαρμόσετε το κιβώτιο, αντιστρέψατε τη διαδικασία, χρησιμοποιώντας τις κεφαλές του τόξου (που φαίνεται στο εσωτερικό μέρος της εικόνας) για να ευθυγραμμιστεί το κιβώτιο στη σωστή του θέση.

Ελεγχος τελειωμένου προϊόντος

Τώρα μπορείτε να ελέγξετε την πλήρως συναρμολογημένη συσκευή για τυχόν σημεία βλάβης ή απωλεσθέντων μερών. Το τελειωμένο προϊόν πρέπει να φαίνεται όπως στην Εικόνα Α.

Ελεγχος λεπίδας κοπής (Εικόνα D)



Προσοχή! Πάντοτε να αποσυνδέετε τη μηχανή σας από την ηλεκτρική παροχή προτού εκτελέσετε οποιαδήποτε επιθεώρηση.

D

Όλα τα κατασκευασμένα προϊόντα ελέγχονται πριν από τη συσκευασία για να βεβαιωθείτε ότι η λεπίδα κοπής (23) είναι ασφαλής, αλλά και για τη δική σας ασφάλεια θα σας συμβουλευάμε να την επανελέγξετε με την ακόλουθη μέθοδο:

- Αφαιρέστε το κιβώτιο γρασιδιού (3 & 4).
- Αναποδογυρίστε τη συσκευή σας στην πλευρά της έτσι ώστε η κάτω πλευρά της βάσης του κοπτήρα (1) να εκτίθεται.
- Χρησιμοποιώντας ένα κομμάτι ύφασμα πάνω από τη λεπίδα (23), πιάστε τη λεπίδα και, χρησιμοποιώντας το αγγλικό κλειδί (20), σφίγξτε το παξιμάδι (21) σε ωρολογιακή κατεύθυνση.

Λειτουργία του κιβωτίου διακόπτη (Εικόνα E)

E

Σας συμβουλευόμαστε ιδιαίτερα όπως, πριν από τη σύνδεση του προϊόντος σας στην κεντρική παροχή ρεύματος, καταλάβετε πλήρως τη λειτουργία του κιβωτίου διακόπτη. Η λειτουργία είναι ως εξής:

Για να ξεκινήσετε το μηχάνημά σας

- Πάρτε τη λαβή (7) με τα δυο σας χέρια.
- Γυρίστε τη συσκευή σας προς τη μια πλευρά.

Σημείωση: Αμέλεια να το κάνετε αυτό μπορεί να έχει σαν αποτέλεσμα ένα δαχτύλιδι που δεν φαίνεται, να έχει κοπεί στο γρασίδι σας.

- Απομακρύνετε το αριστερό σας χέρι από τη λαβή (7) και πατήστε το κουμπί αποσφάλισης (15).
- Ενώ πατάτε αυτό το κουμπί, πάρτε το μοχλό του κιβωτίου του διακόπτη (14) με το δεξιό σας χέρι και σφίγξτε το προς τη λαβή (7).
- Τώρα το μηχάνημα θα λειτουργήσει.

- Ελευθερώστε το κουμπί αποσφάλισης (15) και γυρίστε το αριστερό σας χέρι στο σωλήνα της λαβής.

Σημείωση: Αν το κουμπί αποσφάλισης (15) δεν πατηθεί σύμφωνα με την πιο πάνω σειρά, το μηχάνημα δεν θα λειτουργήσει και ο μοχλός (14) δεν θα συνδεθεί με τον διακόπτη. **Αυτό είναι χαρακτηριστικό ασφάλειας.**

Για να σταματήσετε το μηχάνημά σας

- Γυρίστε τη χορτοκοπτική σας μηχανή στη μια πλευρά.

Σημείωση: Αμέλεια να το κάνετε αυτό, μπορεί να έχει σαν αποτέλεσμα ένα δαχτύλιδι που δεν φαίνεται, να κοπεί στο γρασίδι σας.

- Ελευθερώστε το μοχλό του κιβωτίου διακόπτη (14).
- Όταν το μηχάνημά σας έχει σταματήσει να περιστρέφεται, χαμηλώστε το οπίσθιο μέρος επάνω στο γρασίδι.

Λειτουργία λαβής (Εικόνα F)

F

Η συνηθισμένη σειρά λειτουργίας της λαβής φαίνεται στην Εικόνα F ως γωνία F1. Αυτό θα προσφέρει επίτευξη μιας άνετης θέσης εργασίας.

Αν θέλετε να αποθηκεύσετε το μηχάνημά σας κρεμώντας το πάνω στον τοίχο (θέση F2), κατόπιν:

- Αποσυνδέστε το από την κεντρική παροχή ρεύματος.
- Αφαιρέστε το κιβώτιο γρασιδιού.
- Χαμηλώστε τη λαβή στον πυθμένα της κανονικής του σειράς, κατόπιν τραβήξτε τη λαβή προς το μέρος σας και χαμηλώστε το προς το έδαφος (να μην ρίχνετε τη λαβή γιατί μπορεί να προκαλέσει βλάβη στο κιβώτιο διακόπτη).

Τώρα το μηχάνημά σας μπορεί να σηκωθεί και να αποθηκευτεί πάνω στον τοίχο, αν χρειασθεί.

Ρύθμιση ύψους κοπής (Εικόνες D & G)

G

Το ύψος κοπής του προϊόντος αυτού ρυθμίζεται από τους διαχωριστές της λεπίδας (22 & 24). Η μέθοδος για αυτή τη λειτουργία είναι ως εξής:

- Βεβαιωθείτε ότι το μηχάνημα είναι αποσυνδεδεμένο από την κεντρική παροχή ρεύματος.

- Γυρίστε τη συσκευή σας πάνω στην πλευρά της έτσι ώστε η κάτω πλευρά της βάσης του κοπτήρα (1) να εκτίθεται.
- Χρησιμοποιώντας ένα κομμάτι ύφασμα τοποθετημένο πάνω στη λεπίδα (23), πάρτε τη λεπίδα και, χρησιμοποιώντας το αγγλικό κλειδί που σας παρέχεται (20), ξεβιδώστε το παξιμάδι (21) σε αντιωρολογιακή κατεύθυνση.

- Αφαιρέστε το παξιμάδι της λεπίδας, τους διαχωριστήρες και τη λεπίδα (21-24) και επανασυναρμολογήστε το ύψος κοπής όπως χρειαστεί. Βλέπε Εικόνα G, που δείχνει τα 6 διαθέσιμα ύψη κοπής.

D

- Όταν επιλεγθεί το ύψος τομής, ξανασυναρμολογήστε τη λεπίδα, διασφαλίζοντας όπως η λεπίδα του κοπτήρα (23) είναι συναρμολογημένη με τα άκρα κοπής προς τα κάτω όπως φαίνεται στην Εικόνα D.
- Βεβαιωθείτε όπως το παξιμάδι της λεπίδας (21) είναι στερεωμένο.

Σημείωση: Το προϊόν παρέχεται με ύψος κοπής των 11 χιλ. (Εικόνα G).

- Πάντοτε να ξαναεφαρμόζετε τους 3 διαχωριστήρες και ποτέ σας να μην εφαρμόζετε περισσότερους, γιατί η συσκευή μπορεί να μην είναι πια ασφαλής.

Η μεταφορά της μηχανής σας (Εικόνα Η)

H

Αποσυνδέστε το μηχανήμά σας απ την κεντρική παροχή ρεύματος. Αφαιρέστε το κιβώτιο γρασιδιού, χαμηλώστε τη λαβή στη θέση επίπεδου “παρκάρισμα” και κατόπιν, κρατώντας μια λαβή κοντά στον κύριο πόλο, μεταφέρετε το μηχανήμα με τη λεπίδα απομακρυσμένη από σας.

Πώς να χρησιμοποιείτε τη μηχανή σας (Εικόνα J)



Να παρακολουθείτε όλες τις σχετικές προειδοποιήσεις όταν χρησιμοποιείτε τη μηχανή σας.

Συνιστούμε την κατευθυντήρια μέθοδο κοπής, όπως φαίνεται στην εικόνα J για να έχετε την καλύτερη δυνατή απόδοση κοπής από τη μηχανή σας και για να μειώνεται ο κίνδυνος το καλώδιο επέκτασης να μπαίνει στο δρομο κοπής.

- Να τοποθετείτε το μεγαλύτερο μέρος του καλωδίου επέκτασης πάνω στο γρασιδί κοντά στο σημείο εκκίνησης (Εικόνα J θέση 1).
- Να κρατάτε τη συναρμολογήση και με τα δυο σας χέρια.

Το κιβώτιο διακοπής σας, ενσωματώνει κρατητήρα καλωδίου. Για να συναρμολογήσετε το καλώδιο στο κρατητήρι:

- Φέρτε το άκρο της πρίζας της επέκτασης καλωδίου από πίσω και συνδέστε το στην πρίζα της μηχανής.
- Σχηματίστε μια κουλούρα στην επέκταση του καλωδίου σας κοντά στον συνδετήρα (βλέπε Εικόνα E).
- Σπρώξτε την κουλούρα μέσω της εσοχής από την αντίθετη πλευρά από το άγκιστρο κράτησης, θέσατε την κουλούρα πάνω από το άγκιστρο και ωθήστε το καλώδιο προς τα πίσω μέσω της εσοχής. Το καλώδιο σας τώρα θα κρατιέται.
- Η επέκταση του καλωδίου τώρα θα πέσει από τη θερστική μηχανή μπροστά στον χειριστή, έτοιμη για χρήση.



Προειδοποίηση! Μην προσπαθείτε να λειτουργείτε το μηχανήμά σας με ένα χέρι - πρέπει να οδηγείτε το μηχανήμά σας και με τα δυο σας χέρια.

- Σηκώστε προς τα πάνω το χερούλι για να το αποδεσμεύσετε από τη θέση στάθμευσης.

J

- Προχωρήστε προς το χώρο κοπής, όπως φαίνεται στην εικόνα Ja, δουλεύοντας από τη θέση 1 προς τη θέση 2 και, όταν φτάσετε στη θέση 2, γυρίστε στα δεξιά και προχωρήστε προς τη θέση 3. Συνεχίστε προς το τέλος του χώρου κοψίματος, γυρίστε προς τα αριστερά, και προχωρήστε προς τη θέση 4. Συνεχίστε με τον ίδιο τρόπο όπως φαίνεται στο διάγραμμα Ja, πάντοτε δουλεύοντας μακριά από το καλώδιο. Μην υιοθετείτε τη μέθοδο που φαίνεται στην εικόνα Jb, δουλεύοντας προς το καλώδιο, γιατί αυτό μπορεί να είναι επικίνδυνο.

Το μηχανήμά σας θα συνεχίσει να λειτουργεί ενώ πατάτε τον μοχλό του διακοπής. Αν τον αποδεσμεύσετε για οποιονδήποτε λόγο δεν θα μπορέσετε να τον ξαναπατήσετε μέχρις ότου να έχετε πατήσει τον διακόπτη ασφαλείας στο κιβώτιο διακοπής. Αυτό το χαρακτηριστικό παρεμποδίζει το τυχαίο ξαναξεκίνημα.

Όταν έχετε τελειώσει τη χρήση του μηχανήματος σας, συστήνουμε όπως καθαρίσετε όλα τα συντρίμια από αυτό, προτού να το αποθηκεύσετε. Αναφερθείτε στο μέρος “Φροντίδα και Συντήρηση”.

Σημείωση: Για να έχετε τα καλύτερα δυνατά αποτελέσματα κοπής του γρασιδιού σας ή του χώρου γρασιδιού, να το κόβετε τακτικά, αλλά όχι όταν το γρασίδι είναι βρεγμένο.

Διακοπή υπερφορτώσης

Το μηχανήμά σας είναι εφαρμοσμένο με διακοπή υπερφόρτωσης. Το κουμπί επαναρύθμισης μπορεί να βρεθεί στο κιβώτιο διακοπής (βλέπε 25, Εικόνα Α).

Αν εργάζεστε πολύ γρήγορα πάνω σε μεγάλο γρασίδι, ή σε βαριές συνθήκες θερισμού, μπορεί να βαρυφορτώσετε τον κινητήρα σας. Αυτό θα διαφανεί από μια σημαντική πτώση στην ταχύτητα, και τελικά ο διακόπτης της ηλεκτρικής παροχής θα σβήσει. Αυτό δεν αποτελεί λάθος, αλλά ασφαλιστική μέθοδο για την προστασία του μηχανήματος σας.

Όταν συμβεί κάτι τέτοιο, αποδεσμεύσατε τον διακόπτη και περιμένετε για 2 μέχρι 3 λεπτά για να κρυώσει ο κινητήρας, μετά πατήσατε το κουμπί επαναρύθμισης (25) και ξαναξεκινήσατε πατώντας το μοχλό του διακοπής και το κουμπί ασφάλισης.

Αν ξανασυμβεί διακοπή εντός 10 λεπτών, θα πρέπει να αυξήσετε το ύψος της ρύθμισης κοπής (βλέπε “Ρύθμιση ύψους Κοπής”) και να περπατάτε πιο αργά.

Σοβαρή υπερφόρτωση μπορεί να προκαλέσει μεγαλύτερη καθυστέρηση στην επανένταξη. Σε αυτές τις περιπτώσεις, μετά από την επαναρύθμιση, σας συμβουλευόμαστε να επιτρέψετε στον κινητήρα να κρυώσει.

Συντήρηση των Λεπίδων

Η ατσάλινη λεπίδα είναι σχεδιασμένη για να δίνει καλή κοπή σε μεγάλο ή σκληρό γρασίδι. Η λεπίδα θα συνεχίσει να κοβει κι όταν αμβλυθεί ή βουίξει. Δεν χρειάζεται να κοβει σαν το ξυράφι.

Αν, ωστόσο, λόγω βλάβης ή φθοράς η αποδοχή κοπής χειροτερεύει, τότε η μηχανή μπορεί να χρειάζεται καινούργια λεπίδα, ή τουλάχιστον η υφιστάμενη λεπίδα να χρειάζεται ακονισμα.

Συστήνουμε όπως, η ατσάλινη λεπίδα ακονισθεί ή να τοποθετηθεί καινούργια λεπίδα κατά την αρχή κάθε καινούργιας περιόδου.

Καινούργιες λεπίδες διατίθενται από τους αντιπροσώπους και τους Σταθμούς Υπηρεσίας της Black & Decker.

Εφαρμόζοντας νέες λεπίδες



Να παρακολουθείτε όλες τις σχετικές προειδοποιήσεις προτού αλλάξετε τις λεπίδες.

Λεπτομέρειες για την εφαρμογή των νέων ατσάλινων δίνονται στο μέρος “Ρύθμιση ύψους κοπής”.

Συμβουλές και οδηγίες

- Προτού ξεκινήσετε το μηχανήμά σας πάνω στο γρασίδι, πάντοτε να το ανασκάνετε ελαφριά στη μία πλευρά και να το αφήνετε να λειτουργεί στη μέγιστη ταχύτητα προτού αρχίσετε να κόβετε το γρασίδι.
- Για μεγάλο γρασίδι, πάνω από 10εκ. (4 ίντσες), χρησιμοποιήστε δύο κοπές για να έχετε κομψό φινιρίσμα. Συστήνουμε όπως το πρώτο κόψιμο να γίνεται με την λεπίδα ρυθμισμένη στο μέγιστο ύψος κοπής και το δεύτερο κόψιμο να γίνεται με ρύθμιση μέτρια ή σε πολύ χαμηλή ρύθμιση. Αυτό θα αποβεί ευκολότερο και θα προσφέρει καλύτερο συνολικό φινιρίσμα στο γρασίδι σας.

Φροντίδα και συντήρηση

Οι συμβουλές που δίνονται σε αυτό το κεφάλαιο καλύπτουν τη γενική φροντίδα και συντήρηση του κυρίου αμαξώματος της μηχανής σας. Συμβουλές σχετικά με τις λεπίδες δίνονται στο κεφάλαιο “Συντήρηση των λεπίδων”.



Προσοχή! Μη χρησιμοποιείτε καλώδιο επέκτασης που δεν δείχνει σημάδια βλάβης. Εφαρμόστε ένα εντελώς καινούργιο καλώδιο - μην κάνετε τυχόν μονιμες ή προσωρινές επιδιορθώσεις.

- Πάντοτε να διατηρείτε τη μηχανή σας καθαρή και χωρίς κοψίματα γρασιδιού ειδικά στο κάτω μέρος της βάσης του κοπτήρα (2) και των

αεραγωγών (35). Βλέπε εικόνα Α για αναγνώριση αυτών των χώρων.

- Ελέγξατε όλα τα ηλεκτρικά καλώδια τακτικά, κοιτάζοντας για σημάδια φθοράς, αποξέσης ή άλλης βλάβης.
- Στο τέλος κάθε περιόδου κοπής, σας συστήνουμε όπως η συσσώρευση γρασιδιού στο κάτω μέρος του καλύμματος του κοπτήρα αφαιρείται, χρησιμοποιώντας ένα μη κοφτερο αντικείμενο.
- Να καθαρίζετε όλα τα πλαστικά συστατικά με μουσκεμένο ύφασμα.

Προσοχή: Μη χρησιμοποιείτε διαλύματα ή υγρά καθαρισματος, γιατί μπορούν να προκαλέσουν βλάβη στα πλαστικά συστατικά της μηχανής σας.

Εξεύρεση λαθών

Αν η μηχανή σας δεν λειτουργεί κανονικά, χρησιμοποιήστε τον ακόλουθο πίνακα για την εντοπισή του προβλήματος.



Προσοχή! Πάντοτε να αποσυνδέετε τη μηχανή σας από την ηλεκτρική παροχή προτού εκτελέσετε οποιαδήποτε επιθεώρηση.

Συμπτώματα	Πιθανή αιτία	Επανορθωση
Ο κινητήρας βουίζει αλλά δεν κινείται η λεπίδα.	Έμψοφραγμα λεπίδας.	Αποσυνδέστε από την ηλεκτρική παροχή. Αφαιρέστε το εμπόδιο από την λεπίδα.
Κανείς θορυβός και η λεπίδα δεν κινείται.	Λανθασμένη ηλεκτρική σύνδεση.	Αποσυνδέστε από την ηλεκτρική παροχή. Τοποθετήστε τη μηχανή σας σε εναλλακτική προσβατή ηλεκτρική παροχή. Εφαρμόστε μια καινούργια. Ξανα-σφίξτε και ελέγξατε όλες τις ηλεκτρικές συνδέσεις στα καλώδια επέκτασης. Ξανα-ρυθμίστε το RCD σύμφωνα με τις οδηγίες.

Μη αποτελεσματική (κοπή) αποκομιδή γρασιδιού.	Η χορτοσκούλα είναι γεμάτη. Το στομίο της χορτοσκούλας είναι φραγμένο. Οι αεραγωγοί είναι φραγμένοι.	Αδειάστε τη χορτοσκούλα. Αφαιρέστε τη χορτοσκούλα και θαρίστε το στόμιο. Αφαιρέστε τη χορτοσκούλα και καθαρίστε τα γίλτρα στο πάνω και πίσω μέρος της.
---	--	--

Συμπτώματα	Πιθανή αιτία	Επανορθωση
Μη αποτελεσματική κοπή (αποκομιδή) γρασιδιού.	Το ύφος κοπής είναι χαμηλόσε φηλό γρασιδί. Η μηχανή κινείται παράλληλα.	Αποσυνδέστε τη μηχανή από το ηλεκτρικό ρεύμα. Διορθώστε το ύφος της λεπίδας σε υψηλότερη θέση, Κατευθύνετε τη μηχανή οριζόντια για να μγιστοποιήσετε το κόψιμο του γρασιδιού.
Σταμάτημα μηχανής.	Η μηχανή υπερφορτώθηκε λόγω πυκνού, φηλού γρασιδιού.	Αποσυνδέστε τη μηχανή από το ηλεκτρικό ρεύμα. Διορθώστε το ύφος της λεπίδας σε υψηλότερη θέση.
Μη ικανοποιητική κοπή γρασιδιού.	Φθαρμένη λεπίδα εξαιτίας σύγκρουσης με πέτρες, χαλί και, χοντρά ζυλά ή παρομια αντικείμενα.	Αποσυνδέστε τη μηχανή από το ρεύμα. Ελέγξτε τη λεπίδα για τυχόν φθορές και αντικαταστήστε την.

Τι να κάνετε αν η χλοοκοπτική σας χρειάζεται επιδιορθωση

Πληροφορίες για το πώς και πού να στείλετε την χλοοκοπτική σας για επιδιορθωση ή σέρβις δίνονται στην κάρτα εγγυήσεώς σας. Σας συστήνουμε να φυλάγετε αυτή την κάρτα σε ασφαλές μέρος.

Αχρηστα προϊόντα και το περιβάλλον



Αν διαπιστώσετε μία μέρα ότι το εργαλείο σας πρέπει να αντικατασταθεί ή δεν σας είναι πλέον χρήσιμο, σκεφτείτε την προστασία του περιβάλλοντος. Τα κέντρα σέρβις της Black & Decker θα δεχθούν τα παλιά προϊόντα σας και θα τα απορρίψουν με τρόπο φιλικό στο περιβάλλον.

Η εγγύηση της Black & Decker για το γκαζόν και τον κήπο

Αυτή η εγγύηση καλύπτει εξαρτήματα και εργασία για 12 μήνες. Η απόδειξη αγοράς θα είναι απαραίτητη.

Αν το προϊόν της Black & Decker παρουσιάσει ελάττωμα εντός της περιόδου της εγγύησης

και εξαιτίας ελαττωματικών υλικών και κατασκευής, εγγυώμαστε να αντικαταστήσουμε ή τα ελαττωματικά εξαρτήματα ή, κατά την κρίση μας, τη μονάδα δωρεάν, υπό τον όρο ότι:

- Το προϊόν επιστρέφεται στον αντιπρόσωπο επισκευών με απόδειξη αγοράς.
- Το προϊόν έχει χρησιμοποιηθεί εντός των παραμέτρων της κλάσης καταναλωτού.
- Το προϊόν δεν έχει χρησιμοποιηθεί σε ενοίκιαση.
- Δεν έχουν λάβει μέρος επισκευές από οποιονδήποτε εκτός από το προσωπικό μας ή τους αντιπροσώπους επισκευών.
- Το ελάττωμα είναι αποτέλεσμα κανονικής φθοράς.

Αυτή η εγγύηση προσφέρεται σαν ένα επιπλέον προσόν και είναι επιπρόσθετη στα δικαιώματά σας σαν καταναλωτής όπως προβλέπει ο νόμος.

Η πολιτική της εγγύησης

Ελαττώματα που δεν καλύπτονται είναι αυτά που οφείλονται στα ακόλουθα:

- Αντικατάσταση χαλασμένων λεπίδων, νάιλον νήματος και αλυσίδων τα οποία καταστρέφονται κατά τη διάρκεια αποθήκευσης ή χρήσης. Αυτά θεωρούνται σαν ανταλλακτικά τα οποία φθείρονται κατά τη διάρκεια κανονική χρήσης.
- Βλάβη εξαιτίας ξαφνικής σύγκρουσης ή φανερούς κατάχρησης.
- Βλάβες οι οποίες οφείλονται σε χρήση που δεν συμμορφώνεται με τις οδηγίες και τις συστάσεις που περιέχονται στο εγχειρίδιο οδηγιών.

Η χρήση οποιουδήποτε αξεσουάρ και ανταλλακτικού εκτός από τα γνήσια της Black & Decker, μπορεί να προκαλέσει βλάβη και να μειώσει την απόδοση του προϊόντος της Black & Decker και μπορεί επίσης να ακυρώσει την εγγύηση.

Εξυπηρέτηση της Black & Decker μετά την πώληση

Η Black & Decker προσφέρει μία εξυπηρέτηση σ' όλη τη χώρα μετά την πώληση μέσω κέντρων σέρβις τα οποία διευθύνονται από την εταιρεία. Ο στόχος μας είναι να σας προσφέρουμε εξαιρετική υπηρεσία, ταχείες επισκευές και

εκτεταμένη διαθεσιμότητα εξαρτημάτων μαζί με πλήρη υποστήριξη με αξεσουάρ.

Αν χρειάζεστε οποιαδήποτε βοήθεια ή συμβουλή, παρακαλούμε αποταθείτε στο διευθυντή του πλησιέστερου κέντρου σέρβις της Black & Decker. Πλήρεις λεπτομέρειες για τη μοναδική μας εξυπηρέτηση μετά την πώληση παρέχονται από οποιοδήποτε από τα κέντρα σέρβις (έναν πλήρη κατάλογο παρέχεται στο πίσω μέρος του διαγράμματος εξαρτημάτων το οποίο συμπεριλαμβάνεται με το προϊόν σας).

Άλλα προϊόντα της Black & Decker

Η Black & Decker διαθέτει μία πλήρη γκάμα παιθρίων ηλεκτρικών εργαλείων τα οποία διευκολύνουν τη ζωή στον κήπο. Αν θα θέλατε περισσότερες πληροφορίες σχετικά με άλλα προϊόντα, παρακαλούμε αποταθείτε στο κέντρο πληροφοριών σέρβις της Black & Decker, στη διεύθυνση που βρίσκεται στο πίσω εξώφυλλο ή αποταθείτε στον πλησιέστερο έμπορο της Black & Decker.

Κουρευτικά γκαζόν, Κλαδευτήρια, Αλυσοπρίονα, Σκαλιστήρια, Σπαστήρες κλαδιών, Φουσητήρες φύλλων, Χλοοκοπτικά μπορντούρας

Δήλωση Συμμόρφωσης της ΕΚ

Υπεύθυνα δηλώνουμε ότι οι συσκευές:

GX530, GX635

συμμορφούνται προς τις διατάξεις:
89/392/EEC, 89/336/EEC, 73/23/EEC,
EN55014, EN60335, EN55104

Για καταμετρημένη πίεση ήχου 96dB (A)

Για καταμετρημένη ισχύς ήχου 109dB (A)

Καταμέτρηση δόνησης χεριού/βραχίονα
<2.5μ/s²

Brian Cooke

Διευθυντής Μηχανολογίας
Spennymoor, County Durham DL16 6JG
Ηνωμένο Βασίλειο

Australia	Black & Decker (A'asia) Pty Ltd 286-288 Maroondah Highway, North Croydon, Victoria 3136	Tel: 03 9213 8200 Fax: 03 9726 7150
Belgique/België	Black & Decker Belgium NV Weihoek 1, 1930 Zaventem	Tel: 02 719 07 11 Fax: 02 721 40 45
Danmark	Black & Decker Hejrevang 26 B, 3450 Allerød	Tlf: 70-20 15 10 Fax: 48-14 13 99
Deutschland	Black & Decker GmbH Black & Decker Straße 40, 65510 Idstein	Tel: 06126 210 Fax: 06126 212435
Ελλάς	Black & Decker (Ελλάς) ΑΕ Λεωφ. Συγγρού 154 Αθήνα 176 71	Τηλ: 01 9242870-75 Service: 01 9242876-7 Fax: 01 9242869
España	Black & Decker de España SA Ctra. de Acceso a Roda de Bará, km 0,7 43883-Roda de Bará, Tarragona	Tel: 977 297100 Tlx: 56631 BLADE E Fax: 977 299139
France	Black & Decker (France) Sarl Le Paisy 69570 Dardilly, Lyon	Tel: 04 72 20 39 20 Tlx: 300 250 Fax: 04 72 20 39 00
Helvetia	Black & Decker AG Elektrowerkzeuge Rütistraße 14, CH-8952 Schlieren Schweiz/Suisse	Tel: 01 730 69 33 Tlx: 54462 BDZH CH Fax: 01 730 70 67
Italia	Black & Decker Italia SpA Viale Elvezia 2, 20052 Monza (Mi)	Tel: 039 23 87 1 Fax: 039 23 87 59 3 Numero verde: 167 21 39 35
Nederland	Black & Decker (Nederland) BV Florijnstraat 10, 4879 AH Etten-Leur	Tel: 076 5082000 Fax: 076 5038184
New Zealand	Black & Decker 483 Great South Road, Penrose, Auckland	Tel: 09 579 7600 Fax: 09 579 8200
Norge	Black & Decker (Norge) A/S Strømsveien 344, 1081 Oslo	Tel: 22-90 99 00 Fax: 22-90 99 01
Österreich	Black & Decker Werkzeugevertriebs GmbH Erlaaerstraße 165, Postfach 69, 1230 Wien	Tel: 0222 66 116 0 Tlx: 13228 BLACK A Fax: 0222 66 116 14
Portugal	Black & Decker Rua Egas Moniz 173, Apartado 19 S. João do Estoril, 2768 Estoril, Codex	Tel: 468 76 13/468 75 13 Tlx: 16 607 BLADEC P Fax: 467 15 80
South Africa	Black & Decker South Africa (Pty) Ltd Suite no 107, PostNet X65, Halfway House 1685	Tel: 011 314 4431 Fax: 011 314 4435
Suomi	Black & Decker Oy Rälssitie 7 C, 01510 Vantaa Frälsevägen 7 C 01510 Vanda	Puh: 09-825 45 40 Fax: 09-825 45 444 Tel: 09-825 45 40 Fax: 09-825 45 444
Sverige	Black & Decker AB Box 603, 421 26 Västra Frölunda, Besöksadr. Ekonomivägen 11	Tel: 031-68 60 00 Fax: 031-68 60 08
Türkiye	Black & Decker Elektrikli Ev (Aletleri Türkiye Distribütörü): Vestel Dayanıklı Tüketim, Malları Paz. A.Ş., Eski Büyükdere Cad. İETT Garajı Yanı, 80650 4. Levent - İstanbul	Tel: 0 212 2823600 (10 h) Fax: 0 212 2823307
United Kingdom	Black & Decker 210 Bath Road, Slough Berkshire SL1 3YD	Tel: 01753 574277 Tlx: 848317 BAND MH Fax: 01753 551155



Forhandler adresse
 Händleradresse
 Διεύθυνση αντιπροσώπου
 Address of dealer
 Dirección del detallista
 Cachet du revendeur
 Indirizzo del rivenditore
 Adres van de dealer
 Forhandlerens adresse
 Morada do revendedor
 Jälleenmyyjän osoite
 Återförsäljarens adress

Inköbsdato
 Kaufdatum
 Ημερομηνία αγοράς
 Date of purchase
 Fecha de compra
 Date d'achat
 Data d'acquisto
 Aankoopdatum
 Inrijpsdato
 Data de compra
 Ostopaivä
 Inköpsdatum

Navn/Name/Όνομα/Nombre/Nom/
 Nome/Naam/Navn/Nome/Nimi/Namn:
 Adresse/Adresse/Διεύθυνση/Address/
 Dirección/Adresse/Indirizzo/Adres/Adresse/
 Morada/Osoite/Address:
 By/Wohnort/Πόλη/Town/Ciudad/Ville/Città/
 Plaats/By/Lo calidade/Paikka/kunta/By:
 Postnr./Postleitzahl/Κωδικός/Postcode/
 Code postal/Código/Codice postale/Postcode/
 Postnr./Código postal/Postnummer/Postr.:

Er maskinen en gave?/Ist diese Maschine ein Geschenk?/Η μηχανή είναι δώρο?/Is this product a gift?/Ha recibido usted esta herramienta como regalo?/S'agiti-li d'un cadeau?/Si tratta di un regalo?/Kreeg u deze

machine cadeau?/Er maskinen en gave?/
 Recebeu esta ferramenta como presente?/
 Onko kone lahja?/Α. maskinen en gåva?
 Ja/Ja/Ναι/Yes/S/Όχι/Si/No/Όχι/Nei/
 Kyllä/Ja
 Nej/Neim/Όχι/No/Non/Όχι/Nei/
 Não/Ei/Nej

Hvor meget kostede maskinen?/Was war der Preis dieses Werkzeuges?/Ποιά είναι η τιμή του εργαλείου αυτού?/What was the price of this tool?/¿Cual fue el precio de esta herramienta?/Prix payé?/Quanto ha pagato questo prodotto?/Wat was de prijs van dit produkt?/Hvor meget kostet maskinen?/Que preço pagou por esta ferramenta?/Pajonko kone maksoi?/Hur mycket kostade maskinen?

Er dette din første B&D maskine?/Ist dieses Werkzeug-/Eivai to epäaloio auto-/Is this tool-/¿Es esta herramienta que comprado-/Est-ce-/Questo prodotto è-/Is deze machine-/Er dette din første B&D maskin?/Esta ferramenta é-/Onko tämä ensimmäinen B&D-koneesi?/
 Är detta Din första B&D-velur?

Ja/ein Erstkauf?/η πρώτη σας αγορά?/
 your first purchase?/la primera de este tipo?/un ler achat?/il suo primo acquisto?/uw eerste aankoop?/Ja/a sua primeira compra?/Kyllä/Ja
 Nej/Erstkauf?/για αντικατάσταση?/a replacement?/un reemplazo?/un achat de remplacement?/una sostituzione?/een vervanging?/Nei/uma substituição?/Ei/Nei

Forhandler adresse/händleradresse/Διεύθυνση αντιπροσώπου/Address of dealer/Dirección del detallista/Cachet du revendeur/Indirizzo del rivenditore/Dealeradres/Forhandlaren's adresse/Morada do revendedor/Jälleenmyyjän osoite/Återförsäljarens adress.

•Venligst sæt kryds i ruden såfremt De ikke måtte ønske at modtage information fra anden virksomhed end Black & Decker.
 •Bitte ankreuzen, falls Sie weiteres Informationsmaterial von Black & Decker erhalten möchten. • Παρακαλούμε να σημειώσετε εάν δεν θέλετε να λάβετε πληροφορίες άλλης εταιρείας εκτός της Black & Decker. • Data protection act: Tick the box if you prefer not to receive information from us or others. • Señale en la casilla sino quiere recibir información de otras empresas. • Si vous ne souhaitez pas recevoir d'informations de la part d'autres sociétés que Black & Decker, cochez cette case. • Barrate la casella se non desiderate ricevere informazioni da altre aziende. • A.u.b dit vakje ankreuzen indien u geen informatie wenst te ontvangen van andere bedrijven dan Black & Decker. • Venligst kryss av dersom De ikke ønsker informasjon fra andre bedrifter enn Black & Decker. • Por favor, assinala com uma cruz se desejar receber informação de outras empresas, além da Black & Decker. • Merkitkää rasti ruutuun, mikäli ette halua vastaanottaa informaatiota muulta taholta kuin Black & Deckeriltä. • Vänligen kryssa för i rutan om Ni inte vill ha information från andra företag än Black & Decker.

Cat. no. GX____/____



• GARANTI KORT • GARANTIEKARTE • ΚΑΡΤΑ ΕΓΓΥΗΣΗΣ • GUARANTEE CARD • TARJETA DE GARANTÍA • CARTE DE GARANTIE
• TAGLIANDO DI GARANZIA • GARANTIE-KAART • GARANTI KORT • CARTÃO DE GARANTIA • TAKUKOKORTTI • GARANTIBEVIS

Australia Call 1900 937766 (max. call charge \$2.00 ex. tax)
Belgique/België Weirhoek 1, 1930 Zaventem
Danmark Hejrevang 26B, 3450 Allerød
Deutschland Black & Decker Str. 40, D-65510 Idstein
Ελλάς Black & Decker ΕΛΛΑΣ, Συγγρού 154, 17671 Καλλιθέα
España 43883 Roda de Barà (Tarragona)
France BP21, 69571 Dardilly Cedex
Helvetia Rütlistraße 14, 8952 Schlieren, Schweiz/Suisse
Italia Viale Elvezia 2, 20052 Monza (MI)

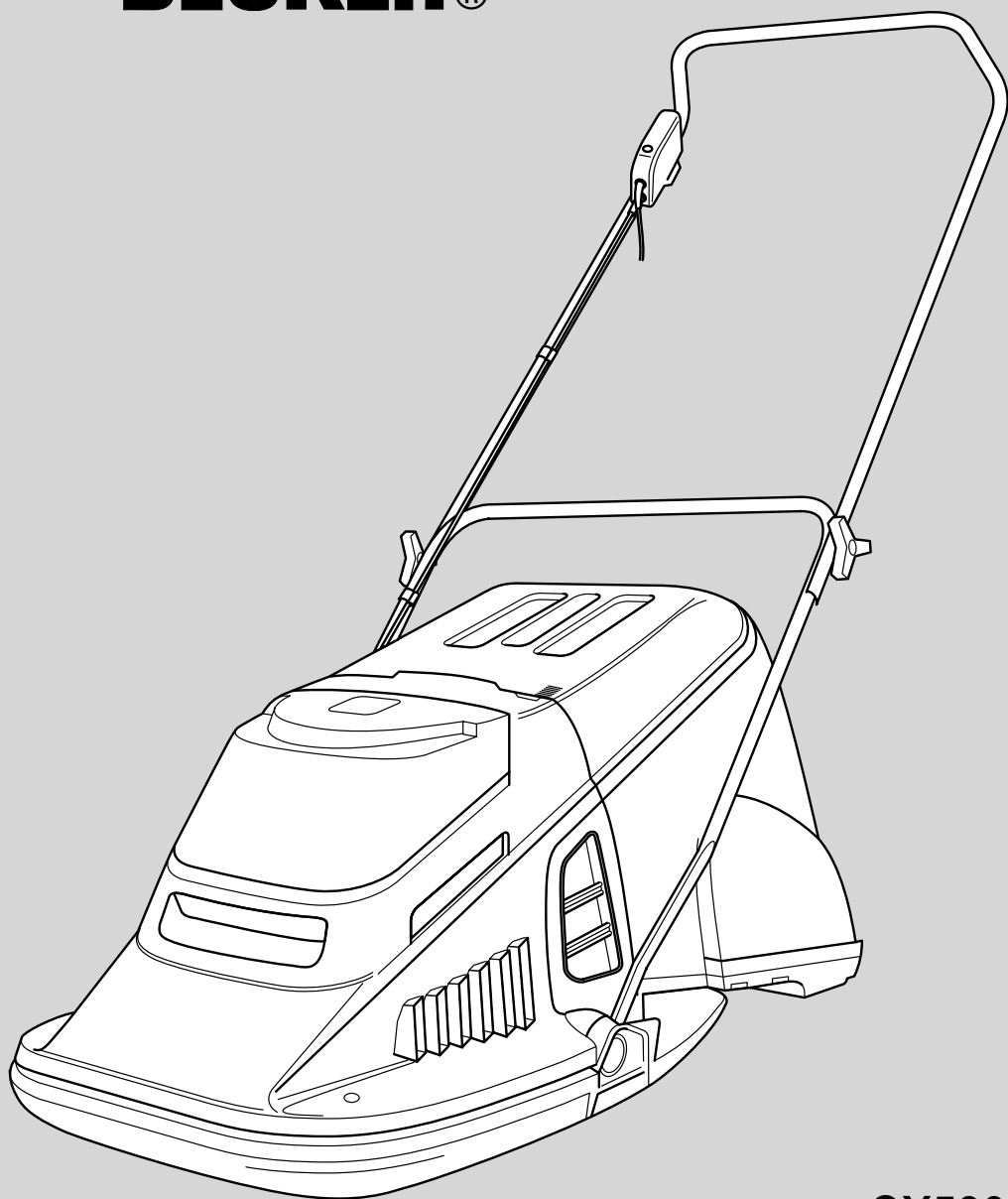
Nederland Florijnstraat 10, 4879 AH Eften-Leur
New Zealand Call 0900 97766 (max. call charge \$2.00 ex. tax)
Norge Strømsveien 344, 1081 Oslo
österreich Erlaaer Straße 165, 1231 Wien
Portugal Rua Egas, Moniz 173, S. João do Estoril, 2768 Estoril Codex
South Africa Black & Decker, Suite 107, PN X65, Halfway Hse, 1685
Suomi Black & Decker Oy, Rällissite 7C, 01510 Vantaa
Sverige Box 603, 421 26 Västra Frölunda
UK & Ireland PO Box 821, Slough, Berkshire, SL1 3AR



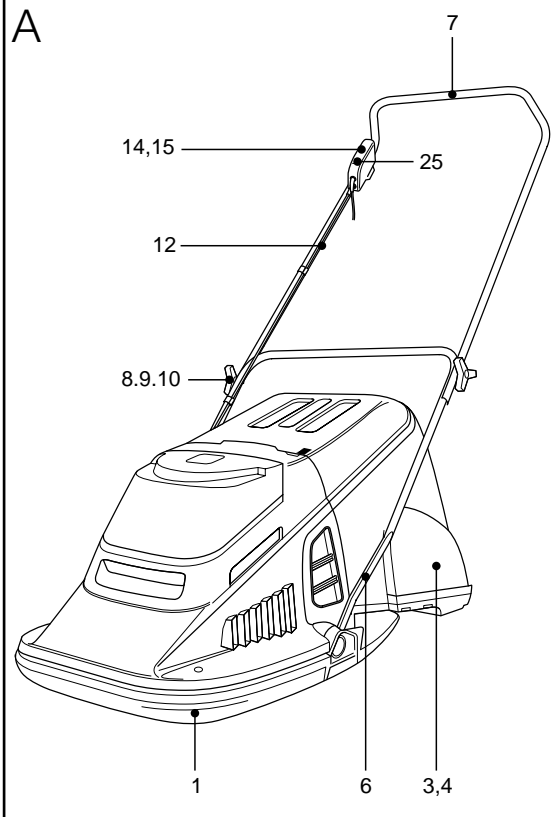
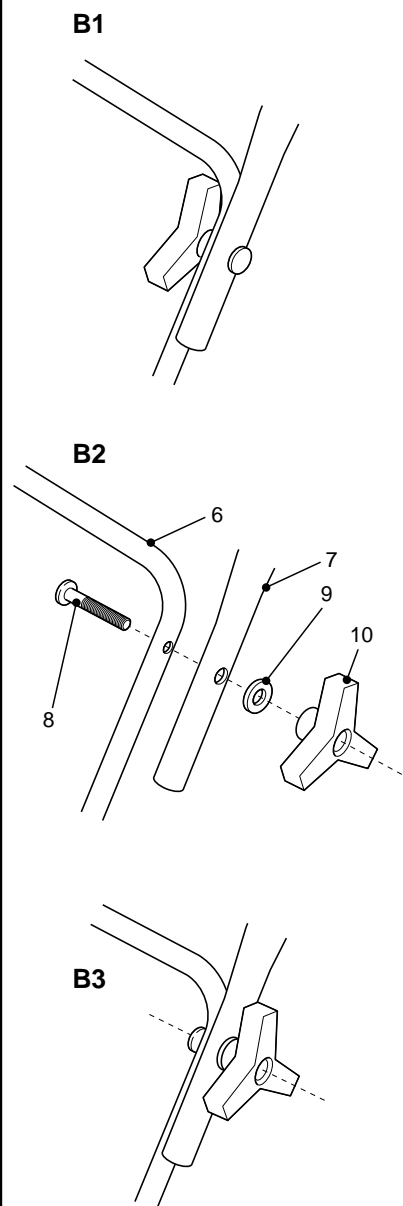
Danmark Venligst klip denne del ud og send frankeret til Black & Decker i dit land.
Deutsch Bitte schneiden Sie diesen Abschnitt ab, stecken ihn in einen frankierten Umschlag und schicken ihn direkt an die Black & Decker Adresse Ihres Landes.
Ελληνικά Παρακαλώ κόψτε αυτό το κομμάτι και τοποθετήστε το μέσα μετά την αγορά του προϊόντος σας στην διεύθυνση της Black & Decker στην Ελλάδα (βλέπε πάνω).
English Please complete this section immediately after the purchase of your product and post it to the Black & Decker address in your country (above).
Español Después de haber comprado su herramienta envíe usted, por favor, esta tarjeta a la central de Black & Decker en su país.
Français Découpez cette partie et envoyez-la sous enveloppe timbrée à l'adresse de Black & Decker dans votre pays (voir ci-dessus), ceci immédiatement après votre achat.

Italiano Per favore ritagliate questa parte, inseritela in una busta con francobollo e spedite la subito dopo l'acquisto del prodotto all'indirizzo della Black & Decker nella vostra nazione (vedi sopra).
Nederlands Knip dit gedeelte uit, zend het in een gefrankeerde, geaddresseerde envelop direct na uw aankoop naar het Black & Decker-adres in uw land (zie boven).
Norge Vennligst klipp ut denne delen umiddelbart etter du har pakket ut ditt produkt og legg det i en adressert konvolutt til Black & Decker (Norge) AS (se adresse over).
Português Por favor, recorte esta parte, coloque-a num envelope selado e endereçado e envie-o logo após a compra do seu produto para o endereço da Black & Decker do seu país.
Suomi Leikkaa iriti tämä osa, laita se ohitseisen kuoreen ja postaa kuori yllä olevaan paikalliseen Black & Decker osoitteeseen.
Sverige Var vänlig klipp ur denna del. Skriv Ditt namn och adress på ett frankerat kuvert, och sänd det genast till Black & Deckers adress i Ditt land (se ovan).

 **BLACK &
DECKER®**



**GX530
GX635**

A**B****C**