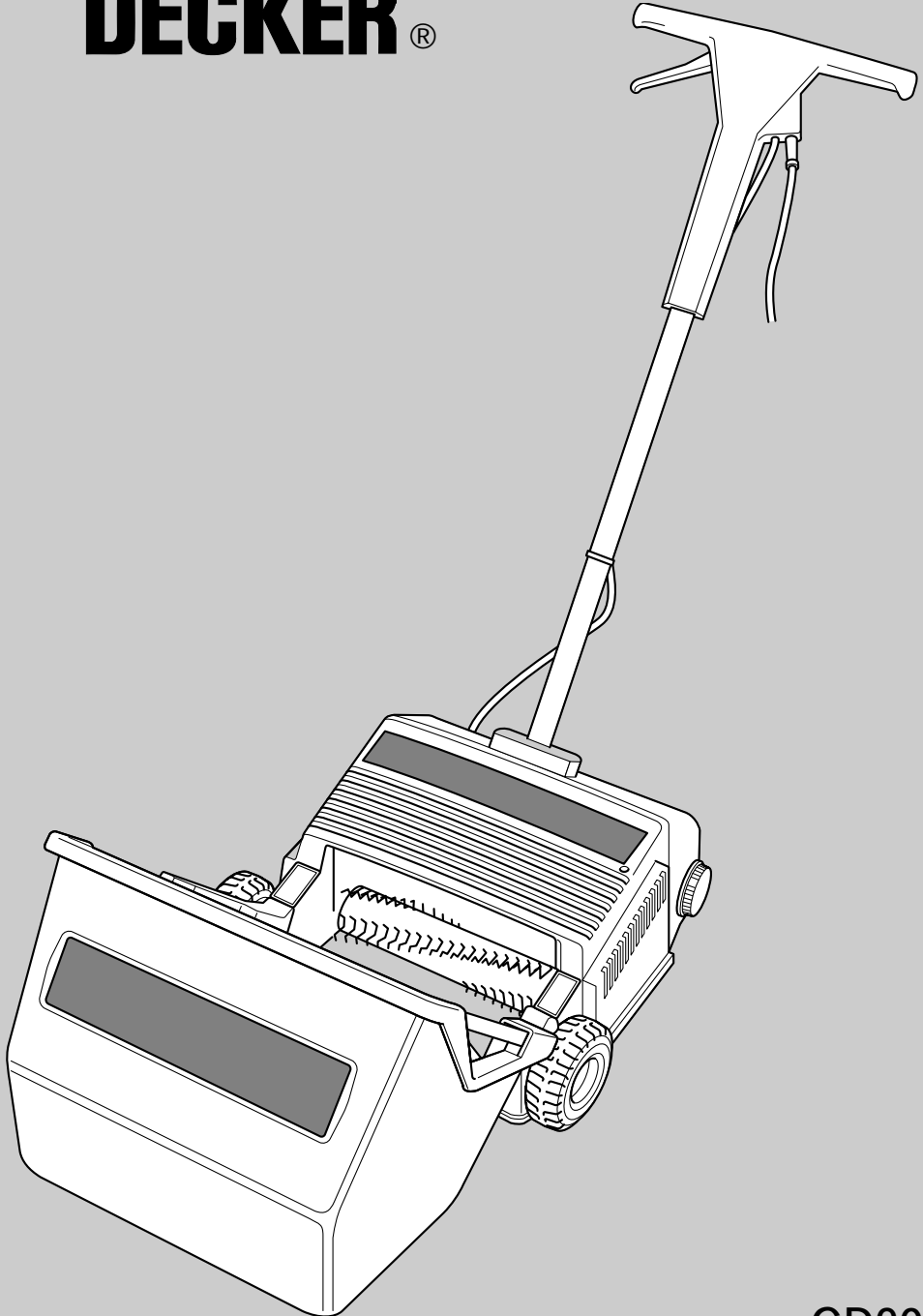


 **BLACK &  
DECKER®**



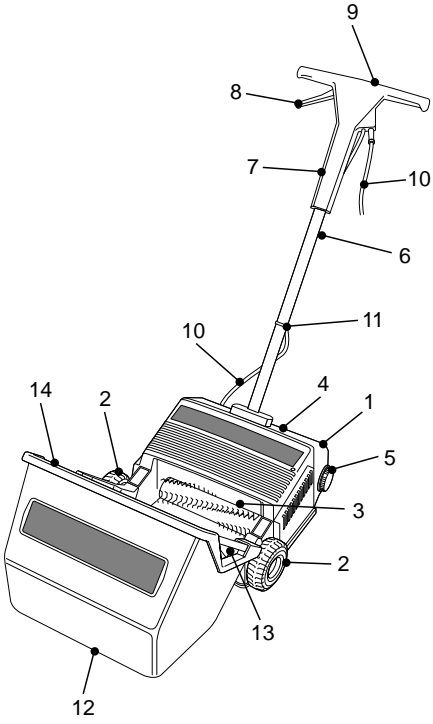
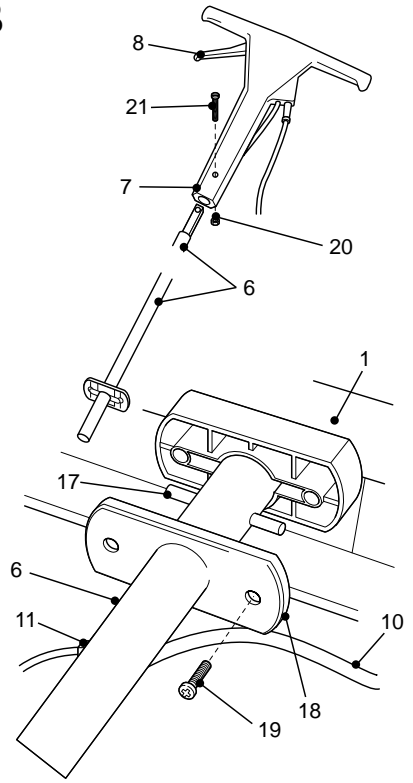
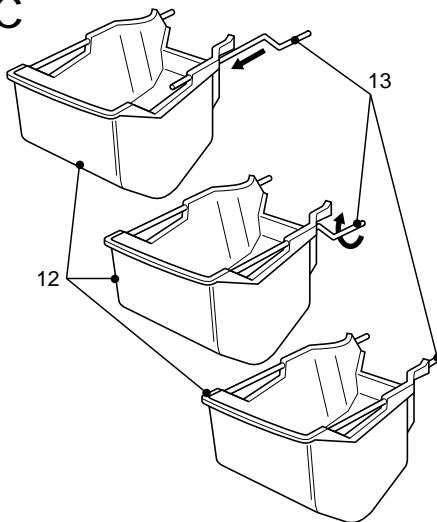
**GD200**

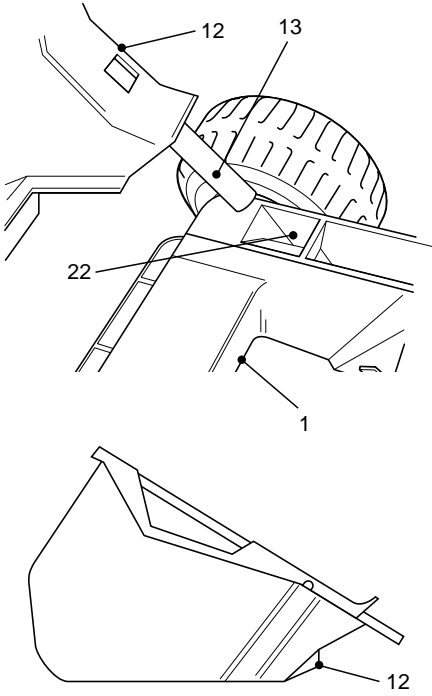
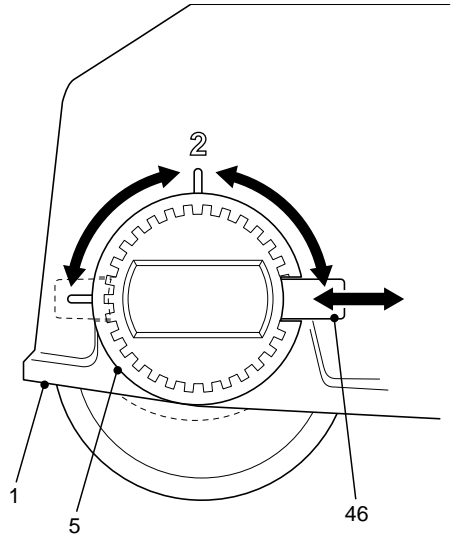
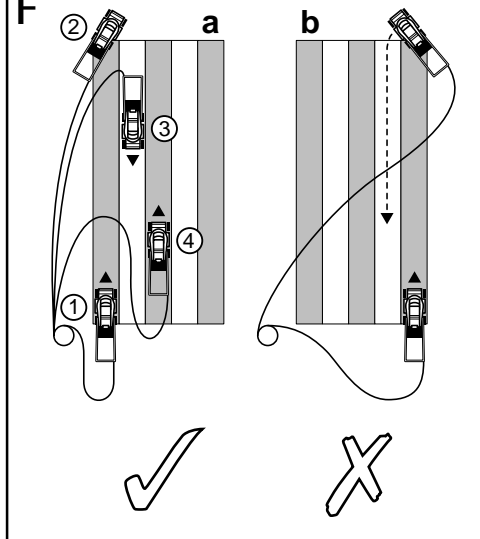
---

English

---



**A****B****C**

**D****E****F**

# Lawnraker GD200

## User manual

### Congratulations!

On your purchase of your Black & Decker lawnraker. This user manual provides important operating and maintenance instructions for all of the lawnrakers in the Black & Decker GD200 range.

### Know your raker



Read all of this manual carefully, observing all the recommended safety instructions before, during and after using your raker, and maintain your raker in good working order.



Familiarise yourself with the controls on your raker before attempting to operate it, but above all, be sure you know how to stop your raker in an emergency.

Retain this user manual and all other literature supplied with your raker for future reference.

### Safety instructions

#### Training

- Never allow children or persons who are unfamiliar with this type of raker to use it, nor anyone who has not read this user manual.
- Do not allow children, animals or other persons near your raker when in use - always keep them at least 6m (20ft) away from the cutting area.



- Remember that the operator is responsible for accidents or hazards occurring to other people or their property.
- Your raker is designed for use on AC (mains) electrical supplies only - do not attempt to use it on any other supply.
- Plug your raker into a power point - never a lighting socket.



- Never carry your raker by the cable or jerk the cable to separate the connectors. Keep the cable away from heat sources, oils or sharp edges. Check the condition of your cable before use and do not use if damaged.

#### Preparation

- To protect your feet, always wear stout shoes or boots - freshly cut grass is damp and slippery.
- Rubber or man-made footwear will enhance your safety.



- Do not operate your raker barefoot or in open sandals.
- Use protective equipment. Wear safety spectacles or goggles whilst operating your raker. Use ear protection if the sound level seems uncomfortable when using your raker.
- Use a face mask if dusty.
- Wear long trousers to protect your legs - any debris left on the lawn or cutting path may be picked up and ejected by the tines.
- The power supply cable should be regularly inspected for signs of damage or ageing, and only used if in good condition.
- Always keep the power supply cable away from the tines - be aware of its position at all times.
- Always be sure your raker is in a safe operating condition.



- Before using your raker, disconnect it from the electrical supply and visually check that the tines are not worn or damaged. A damaged part is a major hazard and must be replaced.
- Always check that your lawn or cutting path is clear of all sticks, stones, wire and other debris. Contact with such debris may be dangerous or may damage your raker and could be thrown by the tines.

#### Operation

- When tilting the handle downwards (or to the side) to start your raker, do not tilt it more than is absolutely necessary. Always ensure that both hands are in the operating position and feet are well away from the tines before returning your raker to the ground.
- Your raker will continue to run for a short time after releasing the switch lever. Always allow your raker to stop on its own.
- Release the switch lever to turn your raker off and remove the plug from the mains:
  - Whenever you leave your raker unattended.
  - Before checking, cleaning, adjusting or working on your raker.
  - Before clearing a blockage.



- If your raker starts to vibrate abnormally (check immediately).
- After striking a foreign object, inspect your raker for damage and make repairs as necessary.
- Never run your raker whilst lying on its side or attempt to stop the tines - always allow it to stop on its own.
- Do not put hands or feet near or under rotating parts.
- Keep clear of discharge openings at all times.
- Start your raker carefully according to the instructions and with your feet well away from the tines.
- Do not use your raker in the rain and do not allow it to get wet. Avoid using your raker in wet grass, if possible.
- Use your raker only in daylight or good artificial light.
- Do not pull your raker towards you or walk backwards when in operation.
- Do not cross gravel paths or roads whilst the tines are rotating.
- Always be sure of your footing, particularly on slopes.
- Always cut across the face of slopes, never up and down. Exercise extreme caution when changing direction on slopes.
- Do not cut excessively steep slopes and always wear non-slip footwear.
- Check the grass collection box for wear or damage and replace if necessary. Never use your raker without the grassbag in place.
- Walk, never run. Do not force your raker.
- Never pick up or carry your raker while the motor is running.
- Ensure the tines have stopped rotating and take extreme care before lifting your raker for and during transportation.
- Never operate your raker with defective guards or shields.

## Maintenance and storage

- Store your raker in a dry place when not in use, out of the reach of children.
- Do not use solvents or cleaning fluids to clean your raker - use a blunt scraper to remove grass and dirt.
- Always disconnect from the electrical supply before cleaning.
- Do not operate your raker if any parts are defective; discard all defective parts and fit new parts before use.



- Keep all nuts, bolts and screws tight to be sure your raker is in a safe working condition.
- Use only Black & Decker recommended replacement parts and accessories.

Black & Decker's policy is one of continuous improvement to our products and, as such, we reserve the right to change product specifications without prior notice.

## Double insulation



Your raker is double insulated. This means that all external metal parts are electrically isolated from the power supply. This is achieved by placing an extra insulation barrier between the electrical and mechanical parts. Double insulation means greater electrical safety and obviates the necessity of having your raker earthed.

## Electrical safety (UK only)



Your raker should always be switched off at the mains before disconnecting any plug and socket connector or extension cables.

### Fuse replacement

If your raker is supplied with cable fitted with a non-re-wireable plug:

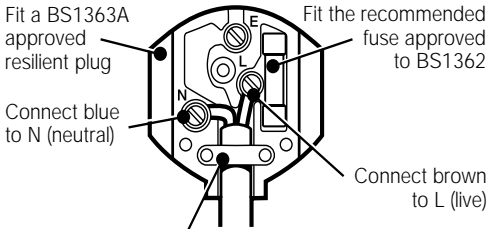
- The plug is fitted with a 5 amp fuse which is the recommended fuse for your raker.
- Only use replacement fuses which are approved to BS1362.
- When changing the fuse in your plug, always ensure the fuse cover is refitted. If the fuse cover is missing or damaged do not use the plug.

**Note:** Fuses do not give personal protection against electric shock.

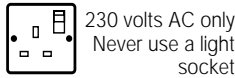
### Plug replacement

- Disconnect the plug from the supply.
- Cut off the plug and dispose of immediately. Insertion of a detached plug into a 5 amp socket outlet may result in electric shock.
- Only fit BS1363A approved plugs fitted with the correctly rated fuse.

- The cable wire colours, or a letter, will be marked at the connection points of most good quality plugs. Attach the wires to their respective points in the plug (see below). Brown is for "Live" (L) and blue is for "Neutral" (N).
- Before replacing the top cover of the mains plug ensure that the cable restraint is holding the outer sheath on the cable firmly and that the two leads are correctly fixed at the terminal screws.



Make sure that the outer sheath of the cable is held firmly by the clamp



**Warning!** Never connect live or neutral wires to the earth pin marked "E" or .

**Note:** Do not wire an extension cable directly into your raker yourself. Instead, take your raker to your nearest Black & Decker service agent.

Increased safety can be obtained by having a qualified electrician install a high sensitivity (30mA) circuit breaker in the house wiring. If you do not have such a circuit breaker installed, or you do not wish to have one installed, then we strongly recommend that the electrical power to your raker be supplied through a high sensitivity residual current device (RCD). The RCD is designed to provide a high degree of personal protection against harmful electric current should fault conditions occur.



**Warning!** The use of an RCD or other circuit breaker unit does not release the operator of your raker from the safety instructions and safe working practices given in this manual.

## Assembly (Fig. A - D)

**A** Remove all the parts of your raker from the carton and familiarise yourself with the individual parts of your raker.

The main parts of your raker are your raker body (1) which houses the motor, front wheels (2), tine assembly (3), and the rear roller (4), which incorporates the three-position height adjusters (5).

The handle assembly comprises the handle tube (6), 'T' handle (7), which houses the switch lever (8), safety lock-off switch (9) and the electrical supply cable (10). A buckle strap (11) is used to attach the electrical supply cable to the handle tube.

The collection box assembly comprises the collection box (12) which incorporates two collection box support bars (13).

Assemble your raker, as follows:

- Place your raker body (1) in its working position, on a level surface.
- Insert the handle tube (6) into your raker body (1), locating the cross pin (17) in the slot.
- With the cross pin (17) located in the slot, place the handle plate (18) against your raker body (1), aligning the two screw holes, and secure the handle plate in position using the two screws (19) provided.
- Place the 'T' handle (7) over the square end of the handle tube (6) (Fig. B), with the switch lever (8) on the right hand side, slide the 'T' handle (7) down the handle tube (6) until the holes in the 'T' handle and the handle tube are aligned.
- Fit the hexagon nut (20) into the hexagonal recess on the underside of the "T" handle. Insert bolt (21) into the aligned holes and screw firmly into the hexagon nut (20).
- Secure the electrical supply cable (10) to the handle tube (6) using the buckle strap (11) provided.

**B**

- Place the collection box (12) upside down on a level surface, pass the longest part of one of the collecting box support bars (13) through the holes in the side of the collection box (12), then rotate the collection box support bar (13) in the direction of the arrow until it clips into the retainer on the collection box (12).
- Repeat this to fit the second collection box support bar (13).

**C**

**D**

- With your raker in its working position, fit the collection box (12) on to your raker body (1), locating the collection box support bars (13) into the pockets (22) at the front of your raker.

## Height of rake adjustment (Fig. E)

**E** There are three raking height positions on your rake; low, medium and high.

These are selected by altering the position of the three-position height adjusters located on the rear roller.

- Press the lock buttons (46) on each three-position height adjuster (5) and rotate both adjusters to any of the three available positions as shown in Fig. E. On reaching the required position, release the lock buttons (46) and allow them to engage in your rake body (1).
- The three positions are identified by markings on the side of your rake body (1) as shown in Fig. E. Both three-position height adjusters must be set to the same position, i.e. both at position 1, 2 or 3 - not at different settings.

The three raking height positions are as follows:

- **Lowest setting (1).** This setting should be used when you wish to give the lawn a particularly vigorous raking. On this setting, your rake will remove all the debris and thatch that has collected at the base of your grass. It will also remove moss and weeds on this setting.
- **Medium setting (2).** This setting should be used when you wish to give your lawn a moderate raking. This setting will be suitable for the majority of lawns.
- **Highest setting (3).** This setting will lightly rake and sweep your lawn. Your rake can also be used on this setting to 'lift' flattened grass and stolons (the creeping stems of grasses and weeds like clover) so that you can mow them. The sweep/light rake setting is ideal for fallen leaves and for collecting grass cuttings which have been left on the lawn after mowing, when the collection box is fitted.

## How to use your rake (Fig. F)



Observe all the relevant warnings when using your rake.

To look after a lawn properly, you need to do more than just mow it once a week throughout the Summer. The lawn will benefit from a vigorous raking of the grass to remove the dead matter, moss and weed which disfigures a lawn. The build up of dead grass provides a mat of absorbent fibres which prevents water getting through to the ground and if this mat is kept waterlogged, it can encourage grass diseases and prevent healthy grasses taking root.

## ENGLISH

- Place the bulk of the extension cable on the lawn close to the starting point (Fig. F, position 1).
- Hold the handle with both hands and hold the upper portion of the extension cable in the hand not operating the switch lever.



**Warning!** Do not attempt to operate your rake with one hand - you must guide it with both hands.

- To start your rake ('T' Handle Type) slide the safety lock-off switch (9) (Fig. A) to the left and press the switch lever (8).

**F**

- Proceed down the raking area from position 1 towards position 2 and, on reaching position 2, turn to the right and proceed towards position 3. Continue to the end of the raking area, turn to the left, and proceed towards position 4. Continue in the same manner as shown in the left hand diagram, always working away from the cable. Do not adopt the method shown in the right hand diagram, working towards the cable, as this is dangerous practice.

When you have finished using your rake we recommend that you clean all debris from it before putting it away. Refer to "Care and maintenance".

**Note:** To obtain the best results rake your lawn or grassed area regularly and do not rake when the grass is wet.

- When raking over the edge of your lawn, press downwards on the handle to stop the wheels dropping over the edge.
- To prolong the effective raking life of your tine assembly, clear the lawn area of any loose debris or stones.

## Handy hints

- Do not force your rake through grass that is too long. It is recommended that your rake should not be used in grass that is longer than 75mm (3 inches) in length.
- Do not use in wet or damp conditions.
- To obtain the best result from your rake use it regularly. It is recommended that your rake is used at the beginning and end of each grass cutting season to give your lawn a thorough scarifying. Your rake should also be used after



each mowing session to remove any grass cuttings that may have been left behind by your raker.

- Rake first in one direction and then at the next occasion at right angles. Initially, this may make the grass look bare and straggly but it will rapidly recover.

## Care and maintenance



**Warning!** Do not use an extension cable which shows signs of damage. Fit a new cable completely - do not make any permanent or temporary repairs.

- Always keep your raker clean and free from grass cuttings, especially the motor vents on the side of your raker body.
- Check all electrical cables at regular intervals, looking for signs of wear, abrasion or other damage.
- At the end of each raking session we recommend that the build up of grass on the tine assembly is removed using a blunt scraper.
- Clean all plastic components with a damp cloth and all metal components with a soft, dry cloth.

**Caution:** Do not use solvents or cleaning fluids as these may damage the plastic components of your raker.

## Fault finding

If your raker does not operate correctly, use the following table to locate the problem.



**Warning!** Always disconnect your raker from the electrical supply before carrying out any inspection.

Symptoms	Possible cause	Remedy
Motor buzzes but the tine assembly does not move.	Tine assembly jammed.	Disconnect from the electrical supply. Remove the obstruction from the tine assembly.
No noise and tine assembly does not move.	Faulty electrical connection.	Disconnect from the electrical supply. Plug your raker into an alternative electrical supply. Re-tighten and check all the electrical connections in the extension cables.

## PROTECTING THE ENVIRONMENT



Black & Decker provides a facility for recycling Black & Decker products once they have reached the end of their working life. This service is provided free of charge. To take advantage of this service please return your product to any authorised repair agent who will collect them on our behalf.

You can check the location of your nearest authorised repair agent by contacting your local Black & Decker office at the address indicated in this manual. Alternatively, a list of authorised Black & Decker repair agents and full details of our after-sales service and contacts are available on the Internet at: [www.2helpU.com](http://www.2helpU.com).

## GUARANTEE

Black & Decker is confident of the quality of its products and offers an outstanding guarantee. This guarantee statement is in addition to and in no way prejudices your statutory rights. The guarantee is valid within the territories of the Member States of the European Union and the European Free Trade Area.

If a Black & Decker product becomes defective due to faulty materials, workmanship or lack of conformity, within 24 months from the date of purchase, Black & Decker guarantees to replace defective parts, repair products subjected to fair wear and tear or replace such products to ensure minimum inconvenience to the customer unless:

- The product has been used for trade, professional or hire purposes;
- The product has been subjected to misuse or neglect;
- The product has sustained damage through foreign objects, substances or accidents;
- Repairs have been attempted by persons other than authorised repair agents or Black & Decker service staff.

To claim on the guarantee, you will need to submit proof of purchase to the seller or an authorised repair agent. You can check the location of your nearest authorised repair agent by contacting your local Black & Decker office at the address indicated in this manual. Alternatively, a list of authorised Black & Decker repair agents and full details of our after-sales service and contacts are available on the Internet at: [www.2helpU.com](http://www.2helpU.com).

## OTHER OUTDOOR TOOLS

Black & Decker has a full range of outdoor power tools that make life in the garden easy. If you would like further information on the following products, please contact our Service and Information Centre (see the address page towards the end of this manual) or your local Black & Decker retailer.

String trimmers  
Chainsaws  
Cordless shear  
Hedgetrimmers  
Lawnmowers  
Lawnrakers  
Leafbusters  
Shredders

Not all products are available in all countries.

## ENGLISH

### EC Declaration of conformity

#### GD200

Black & Decker declares that these tools conform to:

98/37/EC, 89/336/EEC, 73/23/EEC,  
EN 55014, EN 55104, EN 60335,

2000/14/EC, Scarifier  $\leq$  400 W, Annex V

Level of sound pressure, measured according to 2000/14/EC:

$L_{pA}$	(sound pressure)	dB(A)	76
$L_{WA}$	(acoustic power)	dB(A)	90
$L_{WA}$	(guaranteed)	dB(A)	93

Hand/arm weighted vibration value according to EN 50144:  $< 2.5 \text{ m/s}^2$



Brian Cooke

Director of Engineering  
Spennymoor, County Durham DL16 6JG,  
United Kingdom  
1-12-2001

---

---

---

---

---

<b>Australia</b>	DeWALT Industrial Power Tool Company 7 Clarice Road Box Hill, Victoria 3128	Tel. 03 9895 9200 Fax 03 9899 7465
<b>New Zealand</b>	Black & Decker 81 Hugo Johnson Drive Penrose, Auckland, New Zealand	Tel. 09 579 7600 Fax 09 579 8200
<b>South Africa</b>	Black & Decker South Africa (Pty) Ltd Physical address: 39 Commerce Crescent Eastgate, ext. 12, Sandton, Kramerville 2148 Postal address: Postnet Suite 107, Private Bag X65 Halfway House 1685	Tel. (011) 653-1400 Fax (011) 653-1499
<b>United Kingdom</b>	Black & Decker 210 Bath Road Slough, Berkshire SL1 3YD	Tel. 01753 511234 Fax 01753 551155 Helpline 01753 574277

---



Dealer address

Date of purchase



Name: .....

Was this tool bought as a replacement?

Address: .....

Yes  
 No

Town: .....

Postal code: .....

Dealer address: .....

Was this tool a gift?

Yes  
 No

Data protection act:

Tick the box if you prefer not to receive further information.

Was this tool your first purchase?

Yes  
 No

## GUARANTEE CARD

..... ✂ .....

Please complete this section immediately after the purchase of your tool and send it to Black & Decker in your country. If you live in Australia or New Zealand, please register by using the alternative guarantee card supplied.