

**BLACK+  
DECKER**™



[www.blackanddecker.co.uk](http://www.blackanddecker.co.uk)

**WW100**

## Intended use

Your BLACK+DECKER™ WW100 Window Washer has been designed for washing windows and wet vacuum cleaning purposes

## Safety instructions

### General power tool safety warnings



**Warning! Read all safety warnings and all instructions.** Failure to follow the warnings and instructions listed below may result in electric shock, fire and/or serious injury.



**Warning!** When using battery powered appliances, basic safety precautions, including the following should always be followed to reduce risk of fire, leaking batteries, personal injury and material damage.

- ◆ Read all of this manual carefully before using the appliance.
- ◆ The intended use is described in this manual. The use of any accessory or attachment or the performance of any operation with this appliance other than those recommended in this instruction manual may present a risk of personal injury.
- ◆ Retain this manual for future reference.

### Using your appliance

- ◆ Do not use the appliance to pick up flammable liquids or any materials that could catch fire.
- ◆ Never pull the charger lead to disconnect the charger from the socket. Keep the charger lead away from heat, oil and sharp edges.
- ◆ This appliance is not intended for use by young or infirm persons without supervision. Children must be supervised to ensure they do not play with the appliance.

### After use

- ◆ Unplug the charger before cleaning the charger or charging base.
- ◆ When not in use, the appliance should be stored in a dry place.
- ◆ Children should not have access to stored appliances.

### Inspection and repairs

- ◆ Before use, check the appliance for damaged or defective parts. Check for breakage of parts, damage to switches and any other conditions that may affect its operation.
- ◆ Do not use the appliance if any part is damaged or defective.

- ◆ Have any damaged or defective parts repaired or replaced by an authorised repair agent.
- ◆ Regularly check the charger lead for damage. replace the charger if the lead is damaged or defective.
- ◆ Never attempt to remove or replace any parts other than those specified in this manual.

### Additional safety instructions - batteries and chargers.

#### Batteries

- ◆ Never attempt to open for any reason.
- ◆ Do not expose the battery to water.
- ◆ Do not expose the battery to heat.
- ◆ Do not store in locations where the temperature may exceed 40°C.
- ◆ Charge only at ambient temperatures between 10°C and 40°C.
- ◆ Charge only using the charger provided with the appliance/tool. Using the wrong charger could result in an electric shock or overheating of the battery.
- ◆ When disposing of batteries, follow the instructions given in the section "Protecting the environment".
- ◆ Do not damage/deform the battery pack either by puncture or impact, as this may create a risk of injury and fire.
- ◆ Do not charge damaged batteries.
- ◆ Under extreme conditions, battery leakage may occur. When you notice liquid on the batteries carefully wipe the liquid off using a cloth. Avoid skin contact.
- ◆ In case of skin or eye contact, follow the instructions below.

**Warning!** The battery fluid may cause personal injury or damage to property. In case of skin contact, immediately rinse with water. If redness, pain or irritation occurs seek medical attention. In case of eye contact, rinse immediately with clean water and seek medical attention.

#### Chargers

Your charger has been designed for a specific voltage. Always check that the mains voltage corresponds to the voltage on the rating plate.

**Warning!** Never attempt to replace the charger unit with a regular mains plug.

- ◆ Use your BLACK+DECKER charger only to charge the battery in the appliance/tool with which it was supplied. Other batteries could burst, causing personal injury and damage.
- ◆ Never attempt to charge nonrechargeable batteries.
- ◆ If the supply cord is damaged, it must be replaced by the manufacturer or an authorised BLACK+DECKER Service Centre in order to avoid a hazard.
- ◆ Do not expose the charger to water.
- ◆ Do not open the charger.

- ◆ Do not probe the charger.
- ◆ The appliance/tool/battery must be placed in a well ventilated area when charging.

### Safety of others

- ◆ This appliance is not intended for use by persons (including children) with reduced physical, sensory or mental capabilities, or lack of experience and knowledge, unless they have been given supervision or instruction concerning the use of the appliance by a person responsible for their safety.
- ◆ Children should be supervised to ensure that they do not play with the appliance.

### Residual risks.

Additional residual risks may arise when using the tool which may not be included in the enclosed safety warnings. These risks can arise from misuse, prolonged use etc.

Even with the application of the relevant safety regulations and the implementation of safety devices, certain residual risks can not be avoided. These include:

- ◆ Injuries caused by touching any rotating/moving parts.
- ◆ Injuries caused when changing any parts, blades or accessories.
- ◆ Injuries caused by prolonged use of a tool. When using any tool for prolonged periods ensure you take regular breaks.
- ◆ Impairment of hearing.
- ◆ Health hazards caused by breathing dust developed when using your tool (example:- working with wood, especially oak, beech and MDF.).

### Electrical safety

Your charger has been designed for a specific voltage. Always check that the mains voltage corresponds to the voltage on the rating plate. Never attempt to replace the charger unit with a regular mains plug.



Your charger is double insulated; therefore no earth wire is required. Always check that the mains voltage corresponds to the voltage on the rating plate. Never attempt to replace the adapter unit with a regular mains plug.

### Symbols on Charger



Short circuit proof safety isolating transformer.



SMPS



The charging base is intended for indoor use only.

### Labels on appliance



Read all of this manual carefully before using the appliance



Only use with charger SSA-GP-05

LED Patterns Charging	
	Charging
	Battery Fault

LED Patterns In use	
	Battery low
	Battery Empty

### Battery diagnostics

If the appliance detects a weak battery, the charging indicator will flash at a fast rate when the power button is activated.

Proceed as follows:

- ◆ Plug in the charger. Switch on at the mains.
- ◆ Leave the appliance to charge.

If the appliance detects a damaged battery, the charging indicator will flash at a fast rate when the appliance is on charge. Proceed as follows:

- ◆ Take the appliance and the charger to be tested at an authorised services centre.

**Note: It may take as long as 60 minutes to determine that the battery is defective. If the battery is too hot or too cold, the LED will alternately blink, fast and slow, one flash at each speed and repeat.**

## Features

1. Replaceable squeegee blade
2. Head release button
3. Head rotate button
4. Nozzle
5. Dirty water empty port
6. Dirty water tank
7. Cleaning solution fill port
8. Reservoir
9. Vacuum On/Off
10. Micro fibre pad
11. Spray trigger
12. Maximum fill
13. Charging socket
14. Charger
15. Motor unit release button

## Onderdelen

1. vervangbare zuigmond lemmet
2. Kop ontgrendelknop
3. Kop roteren knop
4. Sputmond
5. Vuile water lege poort
6. Vuilwaterreservoir
7. Reinigingsoplossing vulpoort
8. Stuwmeer
9. Stofzuiger On / Off
10. Microvezelpad
11. de Nevel Trigger
12. Maximummullijn
13. Opladaansluiting
14. Oplader
15. Motorunit ontgrendelingsknop

## Funksjoner

1. Utskiftbar nal blade
2. Hode utløserknappen
3. Hode roteringsknappen
4. Dyse
5. Skittent vann tom port
6. Skittent vann tank
7. Rensemiddel påfyllingsporten
8. reservoar
9. Vakuum På / Off
10. Mikrofiberfôr puten
11. Spray utløse
12. For maksimalt væske
13. Ladeuttak
14. Lader
15. Motorenheten utløserknappen

## Merkmale

1. Austauschbare Wischgummi Klinge
2. Kopf Entriegelungsknopf
3. Kopf rotieren Taste
4. Düse
5. Schmutziges Wasser leer Port
6. Schmutzwasserbehälter
7. Reinigungslösung Füllort
8. Vorratsbehälter
9. Vakuum-Ein/Aus-
10. Mikrofaser-Pad
11. Spritz-Trigger
12. Maximal fill
13. Ladebuchse
14. Ladegerät
15. Motoreinheit Auslöseknopf

## Características

1. escobilla de goma reemplazable cuchilla
2. Botón de liberación del cabezal
3. Botón de rotación Cabeza
4. Boquilla
5. Puerto vacío El agua sucia
6. Tanque de agua sucia
7. Limpieza de puerto de llenado de solución de
8. Embalse
9. Vacío On / Off
10. Almohadilla de fibra Micro
11. Disparador del aerosol
12. llenado máximo
13. Toma de carga
14. Cargador
15. Botón de liberación de la unidad de motor

## Komponenter

1. Udskeftelig sugefod klinge
2. Viskeren udløserknop
3. Rotere knap
4. Dyse
5. Skittent vann tom port
6. Skittent vann tank
7. Rengøring opløsning påfyldningsport
8. Reservoir
9. Vakuum On / Off
10. Mikrofiber pad
11. Sprøjte udløse
12. Maksimal fyld
13. Opladning socket
14. Oplader
15. Motorenhed udløserknop

## Fonctionnalités

1. Racioir remplaçable lame
2. Head bouton de déverrouillage
3. Bouton de rotation Head
4. Suceur
5. L'eau sale port vide
6. Cuve pour eau usée
7. Solution de nettoyage orifice de remplissage
8. Réservoir
9. Aspirateur On / Off
10. Pad en microfibre
11. Vaporisateur déclencheur
12. Remplissage maximum
13. Prise de charge
14. Chargeur
15. Motor dispositif de largage

## Componentes

1. Rodo substituível lâmina
2. Botão de liberação da Cabeça
3. Botão de rotação da cabeça
4. Bocal
5. A água suja porta vazia
6. Tanque de água suja
7. Limpeza solução porta de preenchimento
8. Reservatório
9. Vácuo On / Off
10. Pad microfibra
11. Spray de gatilho
12. Preenchimento máximo
13. Tomada de carregamento
14. Carregador
15. Botão de liberação da unidade de Motor

## Yleiskuvasu

1. Vaihdeittava kumilasta terä
2. Head vapautuspainiketta
3. Head kiertopainike
4. Suutin
5. Likainen vesi vielä tyhjä portti
6. Likainen vesitankki
7. Siivous ratkaisu täyttöpörtti
8. Tekojärvi
9. Pölynimurit On / Off
10. Mikrokuitulinää
11. Suihke laukaista
12. Maksimi fill
13. Latausliitäntä
14. Laturi
15. Motor yksikkö vapautuspainike

## Caratteristiche

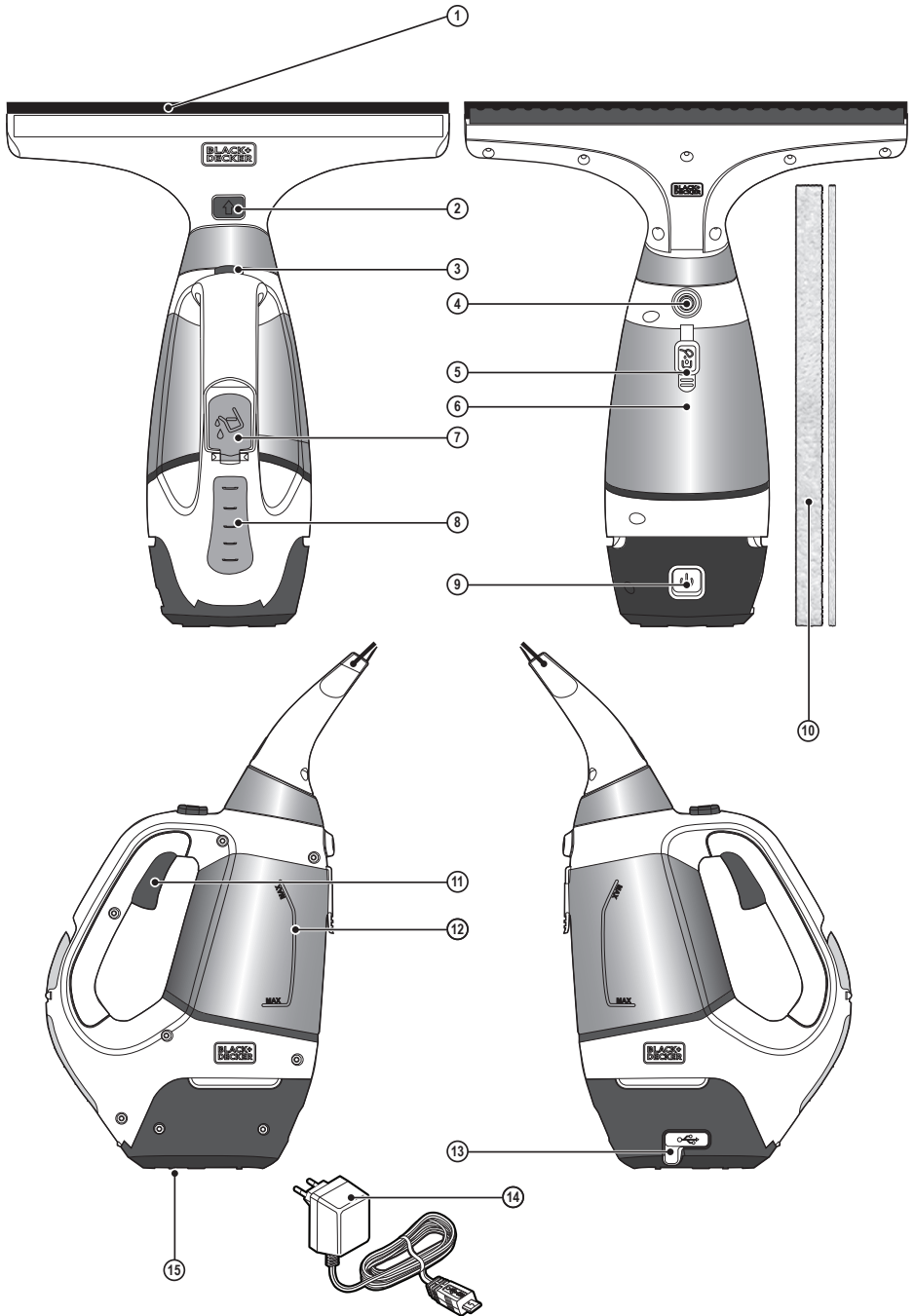
1. Scaccatoio sostituibile lama
2. Pulsante di rilascio testa
3. Pulsante rotazione testa
4. Ugello
5. Acqua sporca porta vuota
6. Serbatoio acqua sporca
7. Pulizia porto di riempimento soluzione
8. Reservoir
9. Aspirapolvere On / Off
10. Pad micro fibra
11. Grilletto spruzzo
12. Riempimento massimo
13. Presa di ricarica
14. Caricabatterie
15. Pulsante di rilascio Gruppo motore

## Funktioner

1. Utbytbara av skrapans bladet
2. Head frigöringsknapp
3. Head rotera knapp
4. Munstycke
5. Smutsigt vatten tom port
6. Smutsigt vattentank
7. Rengöringslösning påfyllningsporten
8. Reservoar
9. Dammsug På / Off
10. Mikrofiber dyna
11. Sprut avtryckare
12. Maximal fyll
13. Laddningsuttag
14. Laddare
15. Motorenhet frigöringsknapp

## Λειτουργίες

1. Αντικαταστάσιμα ελαστικό μάκτρο λεπίδα
2. Προϊστάμενο κουμπί απελευθέρωσης
3. Προϊστάμενο Περιστρέψιμο
4. Ακροφύσιο
5. Βρώμικο νερό άδειο λιμάνι
6. Βρώμικο δεξαμενή νερού
7. Τον καθαρισμό λύση Η θύρα πλήρωσης
8. ταμιευτήρα
9. Κενό On / Off
10. Μικροίνες pad
11. ψεκασμού με σκανδάλη
12. μέγιστη πλήρωσης
13. υποδοχή φόρτισης
14. Φορτιστής
15. Motor κουμπί απελευθέρωσης της μονάδας



ASSEMBLY  
MONTAGEM

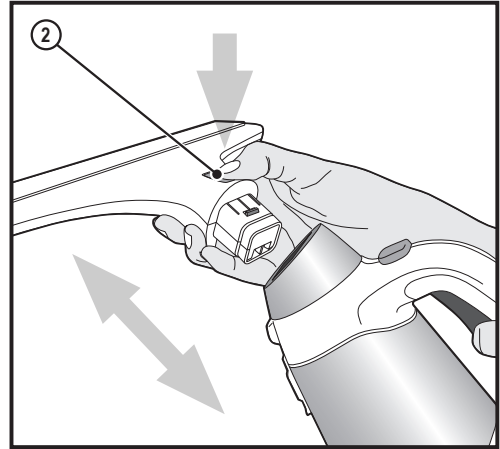
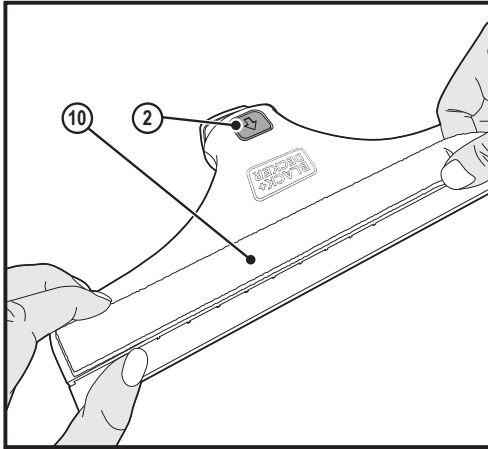
MONTAGE  
MONTERING

ASSEMBLAGE  
MONTERING

MONTAGGIO  
SAMLING

MONTEREN  
KOKOAMINEN

MONTAJE  
ΣΥΝΑΡΜΟΛΟΓΗΣΗ



CHARGING  
CARREGAR

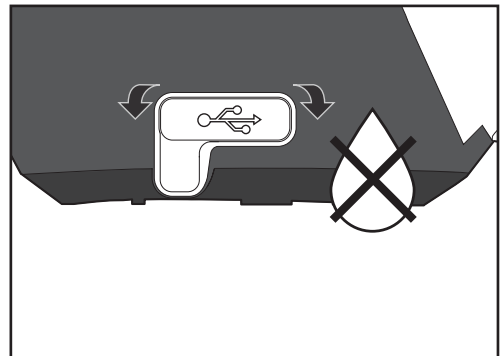
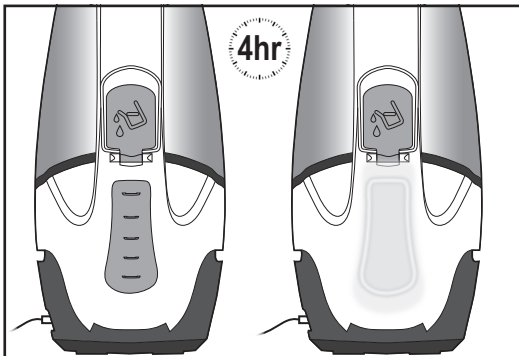
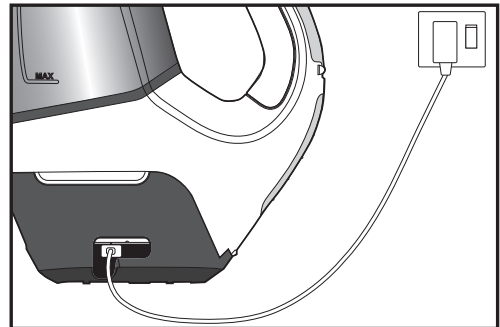
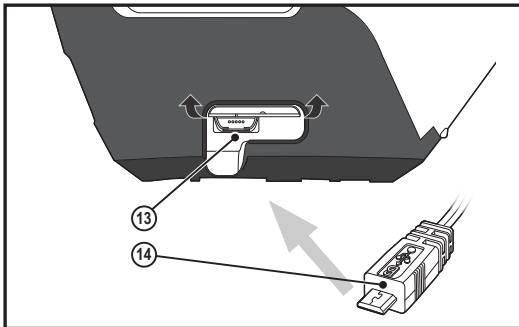
LADEN  
LADDA

CHARGE  
LADE

CARICA  
OPLADNING

LADEN  
LATAAMINEN

CARGA  
ΦΟΡΤΙΣΗ



USE

VERWENDUNG

UTILISATION

UTILIZZO

GEBRUIK

USO

UTILIZAÇÃO

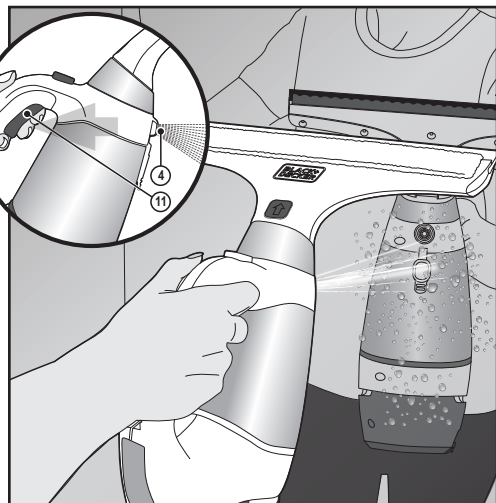
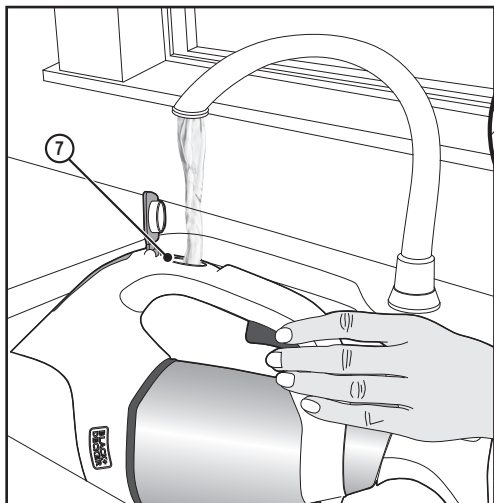
ANVÄNDNING

BRUK

ANVENDELSE

KÄYTTÖ

ΧΡΗΣΗ



Fill

Füllen

Remplir

Riempire

Vullen

Rellene

Preencha

Fyll

Fylle

Udfylde

Täytä

γέμισμα

Spray

Sprühen

Vaporiser

Spruzzare

Besproeien

Rociar

Spray

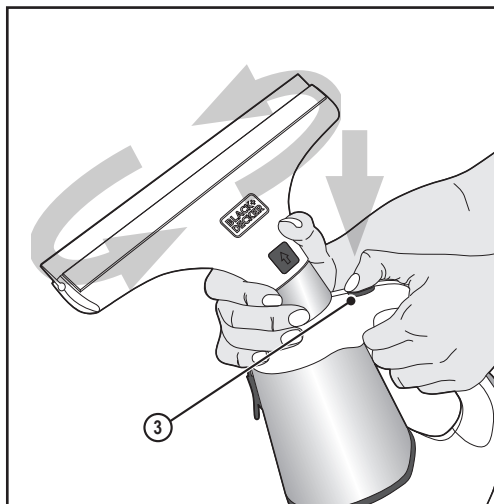
Spraya

Sprøyte

Sprøjte

Suihkuta

Σπρέι



Rotate

Rotieren

Pivoter

Ruotare

Roteren

Rotar

Rodar

Rotera

Rotere

Roter

Kierrä

Περιστρέψτε

Wash

Reinigen

Nettoage

Lavaggio

Wassen

Limpieza

Lavagem

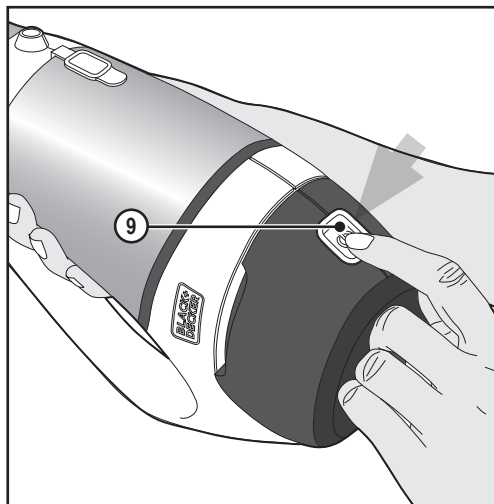
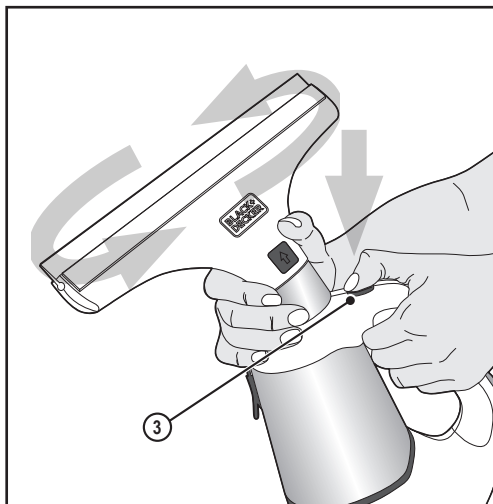
Rengör

Vask

Skyllning

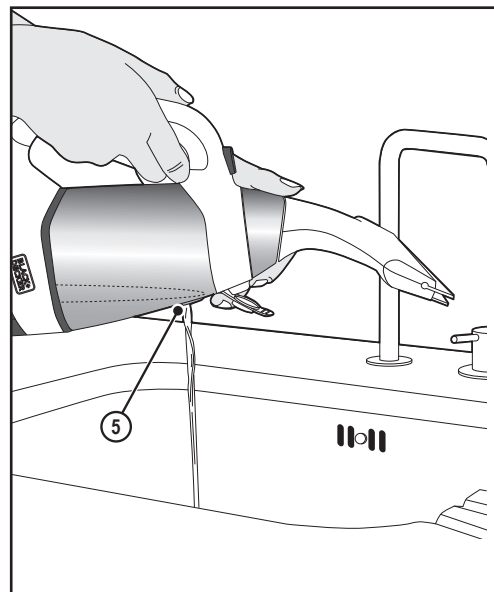
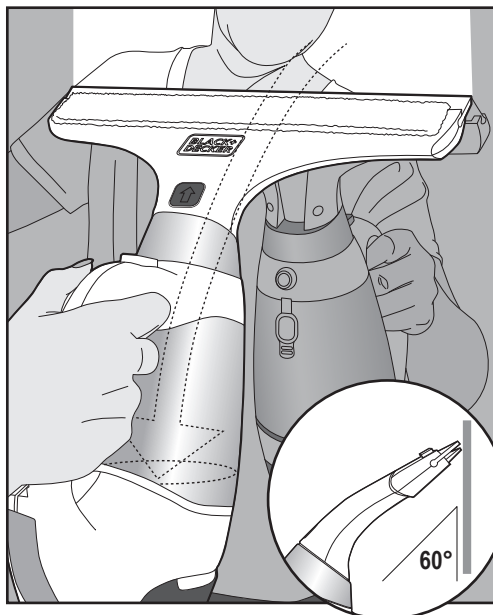
Pesu

Πλύσιμο



Rotate	Rotieren	Pivoter	Ruotare
Roteren	Rotar	Rodar	Rotera
Rotere	Roter	Kierrä	Περιστρέψτε

Power	Macht	Puissance	Potere
Kracht	Poder	Poder	Ström
Makt	Strøm	Teho	Ισχύς



Vacuum	Vakuum	l'aspiration	aspirazione
Aspiradora	Aspiração	dammsugare	Støvsuger
Støvsuger	Roter	Imurin	Περιστρέψτε

Emptying	Leeren	Vidage	Svoutamento
Legen	Vaciado	Esvazier	Tömma
Tømme	Tømning	Tyhjentäminen	Άδειασμα



CLEAN

REINIGEN

NETTOYER

MONTAGGIO

PULITURA

REINIGEN

MONTAGEM

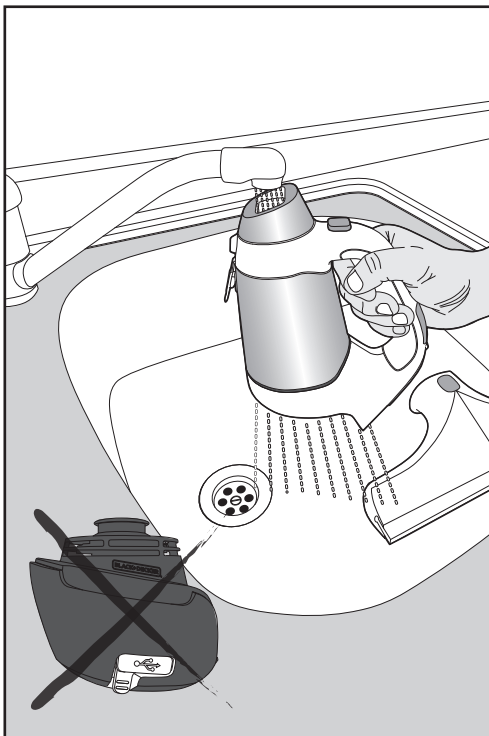
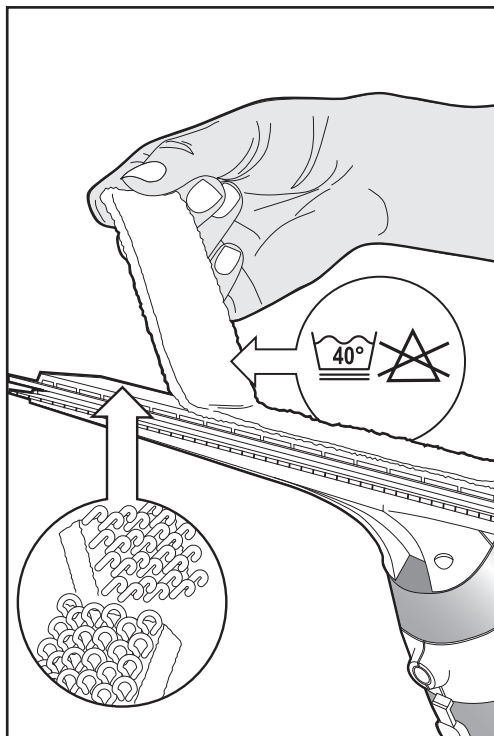
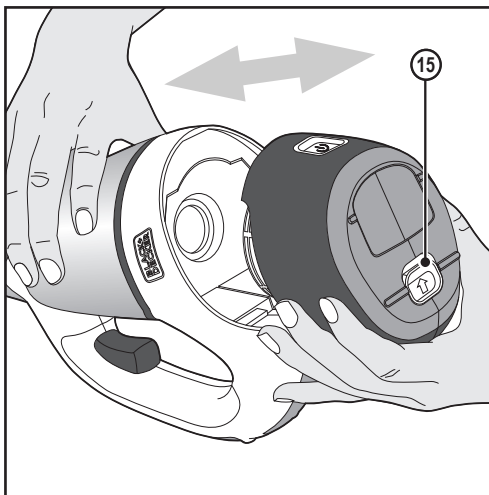
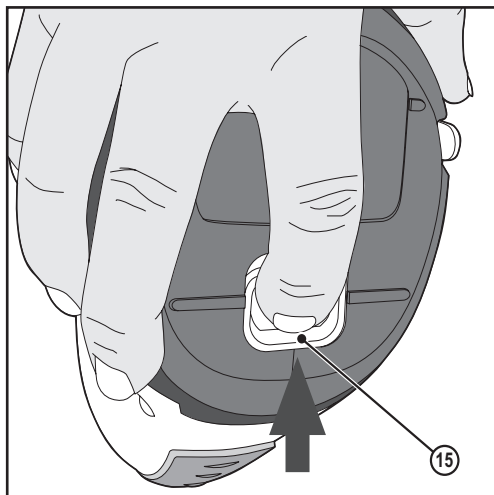
LIMPIEZA

LIMPAR

RENGOR

PUHDISTUS

ΚΑΘΑΡΙΣΜΟΣ



USE ON

VERWENDEN SIE AUF

UTILISEZ LE

UTILIZZARE SU

GEBRUIK OP

EL USO EN

USE EM

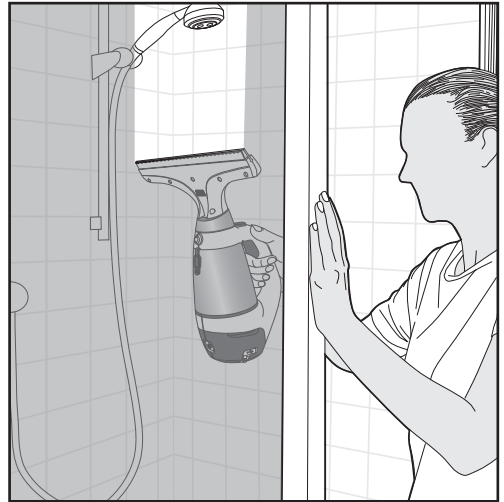
ANVÄNDNING PÅ

BRUK PÅ

BRUG OM

ΚΑΥΤΕΤΑΑΝ

ΧΡΗΣΗ ΓΙΑ



Windows  
Vensters  
Vinduene

Fenster  
Ventanas  
Vinduer

Fenêtres  
Janelas  
Ikkunat

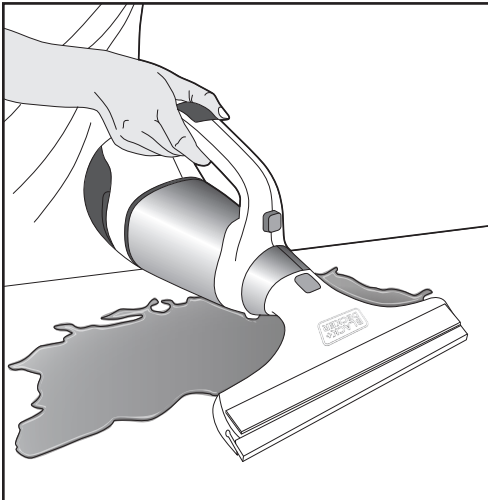
Finestre  
Fönstren  
Παράθυρα

Showers  
Douches  
Dusjer

Duschen  
Duchas  
Brusere

Douches  
Chuveiros  
Suihkut

Docce  
Duschar  
Καταγιδες



Spillages  
Morsingen  
Søl

Verschüttungen  
Los derrames  
Spild

Déversements  
Derrames  
Vuodot

Fuoriuscite  
Spill  
Οι διαρροές

**100 ml Max**

## Protecting the environment



Separate collection. This product must not be disposed of with normal household waste.

Should you find one day that your BLACK+DECKER product needs replacement, or if it is of no further use to you, do not dispose of it with household waste. Make this product available for separate collection.



Separate collection of used products and packaging allows materials to be recycled and used again. Re-use of recycled materials helps prevent environmental pollution and reduces the demand for raw materials.

Local regulations may provide for separate collection of electrical products from the household, at municipal waste sites or by the retailer when you purchase a new product.

BLACK+DECKER provides a facility for the collection and recycling of BLACK+DECKER products once they have reached the end of their working life. To take advantage of this service please return your product to any authorised repair agent who will collect them on our behalf.

You can check the location of your nearest authorised repair agent by contacting your local BLACK+DECKER office at the address indicated in this manual. Alternatively, a list of authorised BLACK+DECKER repair agents and full details of our after-sales service and contacts are available on the Internet at: [www.2helpU.com](http://www.2helpU.com)

## Available Accessories

	Cat No.
170mm Squeegee Head	WW100SA
170mm Squeegee Blade	WW170SB
280mm Squeegee Blade	WW280SB
2 x 170mm micro fibre pads	WW170MPA
2 x 280mm micro fibre pads	WW280MPA

## Technical data

WW100 Window Washer	
Voltage	3.6V
Battery	Lithium Ion
Weight	745g

## Guarantee

Black & Decker is confident of the quality of its products and offers an outstanding guarantee. This guarantee statement is in addition to and in no way prejudices your statutory rights. The guarantee is valid within the territories of the Member States of the European Union and the European Free Trade Area.

If a Black & Decker product becomes defective due to faulty materials, workmanship or lack of conformity, within 24 months from the date of purchase, Black & Decker guarantees to replace defective parts, repair products subjected to fair wear and tear or replace such products to ensure minimum inconvenience to the customer unless:

- ◆ The product has been used for trade, professional or hire purposes;
- ◆ The product has been subjected to misuse or neglect;
- ◆ The product has sustained damage through foreign objects, substances or accidents;
- ◆ Repairs have been attempted by persons other than authorised repair agents or Black & Decker service staff.

To claim on the guarantee, you will need to submit proof of purchase to the seller or an authorised repair agent. You can check the location of your nearest authorised repair agent by contacting your local Black & Decker office at the address indicated in this manual. Alternatively, a list of authorised Black & Decker repair agents and full details of our after-sales service and contacts are available on the Internet at: [www.2helpU.com](http://www.2helpU.com)

Please visit our website [www.blackanddecker.co.uk](http://www.blackanddecker.co.uk) to register your new BLACK+DECKER product and to be kept up to date on new products and special offers. Further information on the BLACK+DECKER brand and our range of products is available at [www.blackanddecker.co.uk](http://www.blackanddecker.co.uk)

---

<b>Australia</b>	Black & Decker (Australia) Pty. Ltd. 20 Fletcher Road, Mooroolbark, Victoria, 3138	Tel. Fax	03-8720 5100 03-9727 5940
<b>New Zealand</b>	Black & Decker 5 Te Apunga Place Mt Wellington Auckland 1060	Tel. Fax	+64 9 259 1133 +64 9 259 1122
<b>United Kingdom &amp; Republic Of Ireland</b> www.blackanddecker.co.uk emeaservice@sbdinc.com	Black & Decker 210 Bath Road Slough, Berkshire SL1 3YD	Tel. Fax	01753 511234 01753 512365

---