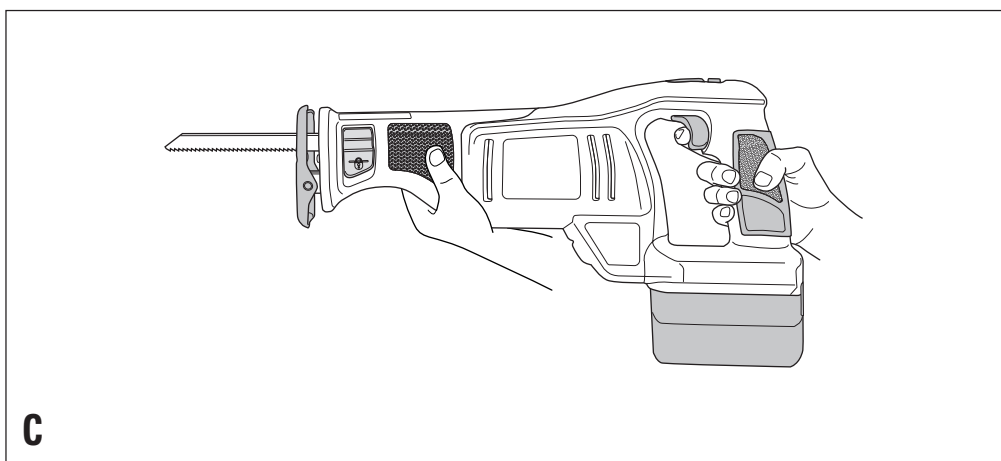
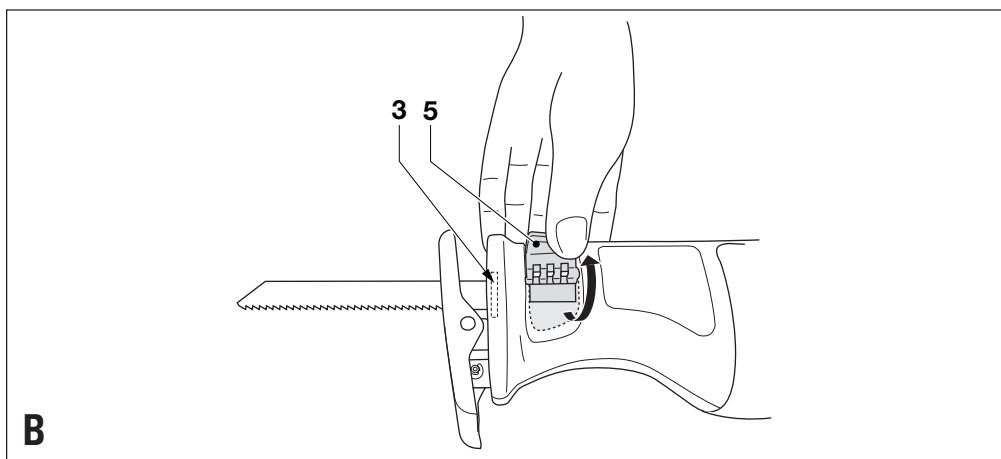
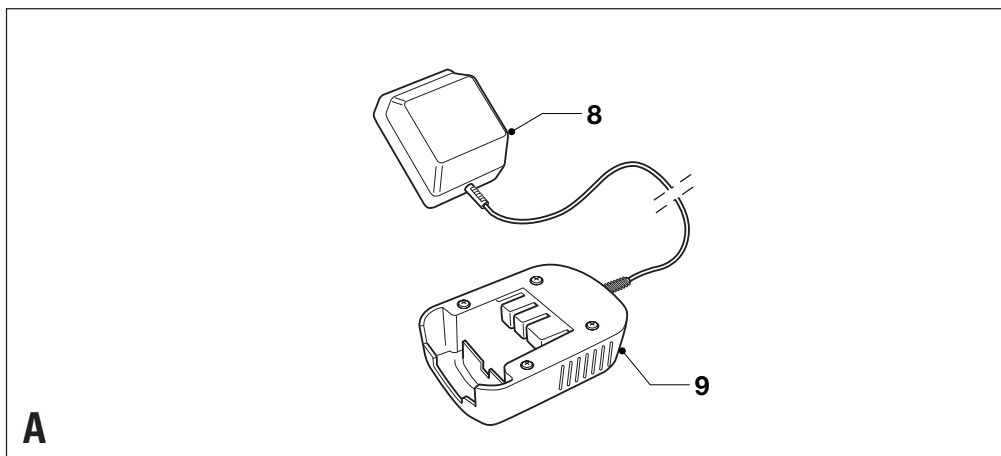


<b>English</b>	<b>3</b>
<b>Deutsch</b>	<b>7</b>
<b>Français</b>	<b>12</b>
<b>Italiano</b>	<b>17</b>
<b>Nederlands</b>	<b>22</b>
<b>Español</b>	<b>27</b>
<b>Português</b>	<b>32</b>
<b>Svenska</b>	<b>37</b>
<b>Norsk</b>	<b>41</b>
<b>Dansk</b>	<b>46</b>
<b>Suomi</b>	<b>51</b>
<b>Ελληνικά</b>	<b>55</b>



## Intended use

Your Black & Decker saw has been designed for sawing wood, wood products, metal and gypsiferous materials. This tool is intended for consumer use only.

Your Black & Decker charger has been designed for charging Black & Decker batteries of the type supplied with this tool.

## Safety instructions

- ◆ **Warning!** When using battery-powered tools, basic safety precautions, including the following, should always be followed to reduce the risk of fire, leaking batteries, personal injury and material damage.
- ◆ Read all of this manual carefully before operating the tool.
- ◆ Retain this manual for future reference.

### Keep work area clean

Cluttered areas and benches can cause accidents.

### Consider work area environment

Do not expose the tool to rain. Do not use the tool in damp or wet conditions. Keep the work area well lit. Do not use the tool where there is a risk of causing fire or explosion, e.g. in the presence of flammable liquids and gases.

### Keep children away

Do not allow children, visitors or animals to come near the work area or to touch the tool.

### Dress properly

Do not wear loose clothing or jewellery, as these can be caught in moving parts. Preferably wear rubber gloves and non-slip footwear when working outdoors. Wear protective hair covering to keep long hair out of the way.

### Personal protection

Always use safety glasses. Use a face or dust mask whenever the operations may produce dust or flying particles. Hearing protection should be worn.

### Do not overreach

Keep proper footing and balance at all times.

### Stay alert

Watch what you are doing. Use common sense. Do not operate the tool when you are tired.

### Secure workpiece

Use clamps or a vice to hold the workpiece. It is safer and it frees both hands to operate the tool.

### Connect dust extraction equipment

If devices are provided for the connection of dust extraction and collection facilities, ensure that these are connected and properly used.

### Remove adjusting keys and wrenches

Always check that adjusting keys and wrenches are removed from the tool before operating the tool.

### Use appropriate tool

The intended use is described in this instruction manual.

Do not force small tools or attachments to do the job of a heavy-duty tool. The tool will do the job better and safer at the rate for which it was intended. Do not force the tool.

**Warning!** The use of any accessory or attachment or performance of any operation with this tool other than those recommended in this instruction manual may present a risk of personal injury.

### Check for damaged parts

Before use, carefully check the tool for damage. Check for misalignment and seizure of moving parts, breakage of parts, damage to guards and switches and any other conditions that may affect its operation. Ensure that the tool will operate properly and perform its intended function. Do not use the tool if any part is damaged or defective. Do not use the tool if the switch does not turn it on and off. Have any damaged or defective parts repaired or replaced by an authorised repair agent. Never attempt any repairs yourself.

### Remove the battery

Where the design permits, remove the battery when the tool is not in use, before changing any parts of the tool, accessories or attachments and before servicing.

### Avoid unintentional starting

Do not carry the tool with a finger on the on/off switch. Be sure that the tool is switched off when inserting the battery into the tool.

### Do not abuse cord

Never carry the charger by its cord or pull it to disconnect from the socket. Keep the cord away from heat, oil and sharp edges.

### Store idle tools

When not in use, tools, batteries and chargers should be stored in a dry, locked up or high place, out of reach of children.

### Maintain tools with care

Keep cutting tools sharp and clean for better and safer performance. Follow the instructions for maintenance and changing accessories. Keep handles and switches dry, clean and free from oil and grease.

### Repairs

This tool complies with relevant safety requirements. Repairs should only be carried out by qualified persons using original spare parts; otherwise this may result in considerable danger to the user.

## Additional safety instructions for batteries and chargers

### Batteries

- ◆ Never attempt to open for any reason.
- ◆ Do not expose the battery to water.
- ◆ Do not store in locations where the temperature may exceed 40 °C.
- ◆ Charge only at ambient temperatures between 4 °C and 40 °C.
- ◆ Charge only using the charger provided with the tool.

- ◆ When disposing of batteries, follow the instructions given in the section "Protecting the environment".
- ◆ Under extreme conditions, battery leakage may occur. When you notice liquid on the battery, proceed as follows:
  - Carefully wipe the liquid off using a cloth. Avoid skin contact.
  - In case of skin or eye contact, follow the instructions below.

**Warning!** The battery fluid, a 25-30% solution of potassium hydroxide, can be harmful. In case of skin contact, immediately rinse with water. Neutralise with a mild acid such as lemon juice or vinegar. In case of eye contact, rinse abundantly with clean water for at least 10 minutes. Consult a physician.



Fire hazard! Avoid short-circuiting the contacts of a detached battery (e.g. when storing the battery in a toolbox).



Do not incinerate the battery.



Do not attempt to charge damaged batteries.

## Chargers

- ◆ Use your Black & Decker charger only to charge batteries of the type supplied with your tool. Other batteries could burst, causing personal injury and damage.
- ◆ Never attempt to charge non-rechargeable batteries.
- ◆ Have defective cords replaced immediately.
- ◆ Do not expose to water.
- ◆ Do not open the charger.
- ◆ Do not probe the charger.



The charger is intended for indoor use only.

## ELECTRICAL SAFETY

Your charger has been designed for a specific mains voltage. Always check that the mains voltage corresponds to the voltage on the rating plate.



Your charger is double insulated in accordance with EN 60335; therefore no earth wire is required.

**Warning!** Never attempt to replace the charger unit with a regular mains plug.

## Additional safety instructions for hand-held saws

- ◆ Always use the appropriate type of saw blade for the workpiece material and type of cut.
- ◆ Only use saw blades in good condition.

- ◆ Always switch the tool off and wait for the saw blade to come to a complete standstill before putting the tool down.
- ◆ Keep your hands well clear of the saw blade while working.
- ◆ Do not touch the saw blade immediately after the operation as it might be hot.
- ◆ Do not attempt to saw extremely small workpieces.
- ◆ Before sawing in walls or floors, be aware of the location of hidden pipes and wiring.
- ◆ Never switch on the tool when the saw blade is jammed in the workpiece or when it is in contact with the material.
- ◆ Do not exert side pressure on the saw blade.
- ◆ Always hold the tool with both hands.
- ◆ Do not use the tool while in a tree, on a ladder or on any other unstable surface.
- ◆ When cutting branches be aware of where the branch will fall.
- ◆ Take special care when sawing woods and metal which may produce toxic dust:
  - Wear a dust mask specifically designed for protection against toxic dust and fumes and ensure that persons within or entering the work area are also protected.
  - Do not let children or pregnant women enter the work area.
  - Do not eat, drink or smoke in the work area.
  - Dispose of dust particles and any other debris safely.

## Overview (fig. A)

1. On/off switch
2. Lock-off button
3. Blade holder
4. Shoe
5. Blade clamp lever
6. Battery
7. Battery release button
8. Charger
9. Charger receptacle

## Assembly

### Fitting and removing the battery (fig. A)

- ◆ To fit the battery (6), line it up with the receptacle on the tool. Slide the battery into the receptacle and push until the battery snaps into place.
- ◆ To remove the battery, push the release button (7) while at the same time pulling the battery out of the receptacle.

### Fitting the saw blade (fig. B)

- ◆ Hold the saw blade securely. If the saw blade is fitted with a tooth protector, leave it attached while fitting the blade.
- ◆ Pull the blade clamp lever (5) up to release the blade clamping mechanism.
- ◆ Insert the shank of the saw blade into the blade holder (3) as far as it will go.

- ◆ Move the blade clamp lever (5) down to lock the blade clamping mechanism.
- ◆ Remove the tooth protector, if fitted.

Note: This tool has been designed to allow the saw blades to be fitted with the teeth facing forward or backward.

## Use

### Charging the battery (fig. A)

The battery needs to be charged before first use and whenever it fails to produce sufficient power on jobs that were easily done before. When charging the battery for the first time, or after prolonged storage, it will only accept an 80% charge. After several charge and discharge cycles, the battery will attain full capacity. The battery may become warm while charging; this is normal and does not indicate a problem.

**Warning!** Do not charge the battery at ambient temperatures below 4 °C or above 40 °C. Recommended charging temperature: approx. 24 °C.

- ◆ To charge the battery (6), remove it from the tool.
- ◆ Slide the charger receptacle (9) onto the battery as shown.
- ◆ Plug in the charger (8). Switch on at the mains.

The battery will become warm while charging. After approx. 3 hours of charging, the battery will be sufficiently charged for use in regular applications. After approx. 6 hours of charging, the battery will be fully charged.

- ◆ Remove the charger receptacle from the battery.

### Switching on and off

- ◆ To switch the tool on, move the lock-off button (2) into the unlock position and squeeze the on/off switch (1).
- ◆ To switch the tool off, release the on/off switch.

### Sawing (fig. C)

- ◆ Always hold the tool with both hands.
- ◆ Let the blade run freely for a few seconds before starting the cut.
- ◆ Apply only a gentle pressure to the tool while performing the cut.
- ◆ If possible, work with the shoe pressed against the workpiece. This will improve tool control and reduce tool vibration, as well as prevent the blade from being damaged.

### Hints for optimum use

#### Sawing wood

- ◆ Clamp the workpiece securely and remove all nails and metal objects.
- ◆ Holding the tool with both hands, work with the shoe pressed against the workpiece.

### Pocket cutting in wood

- ◆ Measure and mark the required pocket cut.
- ◆ Fit a saw blade suitable for pocket cutting.
- ◆ Rest the shoe on the workpiece in such a position that the blade forms an appropriate angle for the pocket cut.
- ◆ Switch on the tool and slowly feed the blade into the workpiece. Make sure that the shoe remains in contact with the workpiece at all times.

### Sawing metal

- ◆ Be aware that sawing metal takes much more time than sawing wood.
- ◆ Use a saw blade suitable for sawing metal. Use a fine-tooth saw blade for ferrous metals and a coarser saw blade for nonferrous metals.
- ◆ When cutting thin sheet metal, clamp a piece of scrap wood to the back surface of the workpiece and cut through this sandwich.
- ◆ Spread a film of oil along the intended line of cut.

### Cutting branches

Branches up to 25 mm in diameter can be cut with this tool.

**Warning!** Do not use the tool while in a tree, on a ladder or on any other unstable surface. Be aware of where the branch will fall.

- ◆ Cut downward and away from your body.
- ◆ Make the cut close to the main branch or tree body.

### Vertical cutting

The tool allows close cutting to corners and other difficult areas.

- ◆ Insert the shank of the saw blade into the blade holder with the teeth of the blade facing upward.
- ◆ Hold the tool with the shoe facing downward so that you are as close to the work surface as possible.
- ◆ Cut forward and away from your body.

### Accessories

The performance of your tool depends on the accessory used. Black & Decker and Piranha accessories are engineered to high quality standards and designed to enhance the performance of your tool. By using these accessories you will get the very best from your tool.

### MAINTENANCE

Your Black & Decker tool has been designed to operate over a long period of time with a minimum of maintenance. Continuous satisfactory operation depends upon proper tool care and regular cleaning. Your charger does not require any maintenance apart from regular cleaning.

- ◆ **Warning!** Before performing any maintenance on the tool, remove the battery from the tool.
- ◆ **Warning!** Unplug the charger before cleaning it.
- ◆ Regularly clean the ventilation slots in your tool using a soft brush or dry cloth.
- ◆ Regularly clean the motor housing using a damp cloth. Do not use any abrasive or solvent-based cleaner.
- ◆ Regularly check for saw dust clinging to the saw blade holder. Use a soft brush or some low pressure air to clean the saw blade holder.

## PROTECTING THE ENVIRONMENT

### Tools



Black & Decker provides a facility for recycling Black & Decker products and rechargeable batteries once they have reached the end of their working life. This service is provided free of charge. To take advantage of this service please return your product to any authorised repair agent who will collect them on our behalf.

### Batteries



Black & Decker batteries can be recharged many times. At the end of their useful life, discard batteries with due care for our environment:

- ◆ Run the battery down completely, then remove it from the tool.
- ◆ NiCd and NiMH batteries are recyclable. Take them to any authorised repair agent or a local recycling station.

You can check the location of your nearest authorised repair agent by contacting your local Black & Decker office at the address indicated in this manual. Alternatively, a list of authorised Black & Decker repair agents and full details of our after-sales service and contacts are available on the Internet at: [www.2helpU.com](http://www.2helpU.com).

### Technical data

		KS1880S
Voltage	V <sub>DC</sub>	18
Number of strokes	min <sup>-1</sup>	0 - 3,000
Stroke length	mm	22
Max depth of cut	mm	
Wood		76
Steel		5
Aluminium		5
Pruning	∅	76
Battery cat. no.		A18
Weight	kg	2.9

### Charger

Input voltage	V <sub>AC</sub>	230
Approx. charging time	h	3

### EC declaration of conformity

Black & Decker declares that these products conform to: 98/37/EC, 89/336/EEC, 73/23/EEC, EN 55014, EN 50260, EN 61000

L<sub>PA</sub> (sound pressure): 83 dB(A), L<sub>WA</sub> (acoustic power) 94 dB(A), hand/arm weighted vibration 8.35 m/s<sup>2</sup>

Colin Wills, Director of Engineering  
BDCI, 4/F, 2 Dai Wang Street  
Tai Po Industrial Estate  
Tai Po NT, Hong Kong

### Guarantee

Black & Decker is confident of the quality of its products and offers an outstanding guarantee. This guarantee statement is in addition to and in no way prejudices your statutory rights. The guarantee is valid within the territories of the Member States of the European Union and the European Free Trade Area.

If a Black & Decker product becomes defective due to faulty materials, workmanship or lack of conformity, within 24 months from the date of purchase, Black & Decker guarantees to replace defective parts, repair products subjected to fair wear and tear or replace such products to ensure minimum inconvenience to the customer unless:

- ◆ The product has been used for trade, professional or hire purposes;
- ◆ The product has been subjected to misuse or neglect;
- ◆ The product has sustained damage through foreign objects, substances or accidents;
- ◆ Repairs have been attempted by persons other than authorised repair agents or Black & Decker service staff.

To claim on the guarantee, you will need to submit proof of purchase to the seller or an authorised repair agent. You can check the location of your nearest authorised repair agent by contacting your local Black & Decker office at the address indicated in this manual. Alternatively, a list of authorised Black & Decker repair agents and full details of our after-sales service and contacts are available on the Internet at:

[www.2helpU.com](http://www.2helpU.com)

## Bestimmungsgemäße Verwendung

Ihre Black & Decker Säge wurde zum Sägen von Holz, Holzprodukten, Metall und gipshaltigen Materialien entwickelt. Dieses Gerät ist nicht für den gewerblichen Einsatz vorgesehen.

Ihr Black & Decker Ladegerät wurde zum Laden von Black & Decker Akkus vom im Lieferumfang enthaltenen Typ entwickelt.

## Sicherheitshinweise

- ◆ **Warnung!** Bei der Verwendung von Akkugeräten sind zum Schutz gegen Feuergefahr, gegen Austreten der Akkuflüssigkeit sowie gegen Körper- und Sachschaden grundlegende Sicherheitsmaßnahmen, einschließlich der folgenden Vorschriften, zu beachten.
- ◆ Lesen Sie diese Anleitung gründlich durch, bevor Sie das Gerät verwenden.
- ◆ Bewahren Sie diese Anleitung auf.

### Halten Sie Ihren Arbeitsbereich in Ordnung!

Unordnung im Arbeitsbereich führt zu Unfallgefahren.

### Berücksichtigen Sie Umgebungseinflüsse!

Setzen Sie das Gerät keinem Regen aus. Verwenden Sie das Gerät nicht in einer feuchten oder nassen Umgebung.

Sorgen Sie für eine gute Beleuchtung des Arbeitsbereiches. Benutzen Sie das Gerät nicht an Orten, wo Feuergefahr oder Explosionsgefahr besteht, z.B. in der Nähe von brennbaren Flüssigkeiten oder Gasen.

### Halten Sie Kinder fern!

Halten Sie Kinder, Besucher und Tiere dem Arbeitsbereich fern und sorgen Sie dafür, daß sie das Gerät nicht berühren.

### Tragen Sie geeignete Arbeitskleidung!

Tragen Sie keine weite Kleidung oder Schmuck, da diese von sich bewegenden Teilen erfaßt werden können. Beim Arbeiten im Freien sind Arbeitshandschuhe und rutschfestes Schuhwerk empfehlenswert. Tragen Sie bei langen Haaren ein Haarnetz.

### Schutzmaßnahmen

Verwenden Sie immer eine Schutzbrille. Tragen Sie eine Atemschutzmaske, falls die Arbeiten Staub oder Späne erzeugen können. Tragen Sie bei einem hohen oder unangenehmen Schallpegel immer einen Gehörschutz.

### Achten Sie auf einen sicheren Stand!

Achten Sie auf einen sicheren Stand, um in jeder Arbeitsposition das Gleichgewicht zu halten.

### Seien Sie stets aufmerksam!

Konzentrieren Sie sich auf Ihre Arbeit. Gehen Sie vernünftig vor. Verwenden Sie das Gerät nicht, wenn Sie müde sind.

### Sichern Sie das Werkstück!

Benutzen Sie Spannvorrichtungen oder einen Schraubstock, um das Werkstück festzuhalten. Es ist damit sicherer gehalten und ermöglicht die Bedienung des Gerätes mit beiden Händen.

## Schließen Sie Vorrichtungen zur Staubabsaugung an!

Falls Vorrichtungen zur Absaugung oder zum Sammeln von Staub an das Gerät angeschlossen werden können, vergewissern Sie sich, daß diese angeschlossen sind und ordnungsgemäß verwendet werden.

### Lassen Sie keine Schlüssel stecken!

Überprüfen Sie vor dem Einschalten, ob die Schlüssel und Einstellwerkzeuge entfernt sind.

### Benutzen Sie das richtige Gerät!

Die bestimmungsgemäße Verwendung ist in dieser Betriebsanleitung beschrieben. Verwenden Sie keine zu schwachen Geräte oder Zubehörteile für schwere Arbeiten. Mit dem richtigen Gerät erzielen Sie eine optimale Qualität und gewährleisten Ihre persönliche Sicherheit. Überlasten Sie das Gerät nicht.

**Warnung!** Das Verwenden anderer als der in dieser Anleitung empfohlenen Vorsatzgeräte und Zubehörteile oder die Ausführung von Arbeiten mit diesem Gerät, die nicht der bestimmungsgemäßen Verwendung entsprechen, kann zu Unfallgefahren führen.

### Kontrollieren Sie Ihr Gerät auf Beschädigungen!

Überprüfen Sie das Gerät vor der Arbeit auf Beschädigungen. Überprüfen Sie, ob alle beweglichen Teile richtig montiert sind, ob keine Teile gebrochen sind, ob keine Schutzvorrichtungen und Schalter beschädigt sind, und ob irgendwelche andere Schäden den einwandfreien Betrieb des Gerätes beeinträchtigen könnten. Vergewissern Sie sich, daß das Gerät ordnungsgemäß funktionieren wird. Benutzen Sie das Gerät nicht, wenn irgendein Teil defekt ist. Verwenden Sie das Gerät nicht, wenn der Ein-/Aus-Schalter nicht funktioniert. Lassen Sie defekte Teile immer von einer unserer Kundendienstwerkstätten reparieren oder austauschen. Versuchen Sie nie, das Gerät selber zu reparieren.

### Entfernen Sie den Akku:

Entfernen Sie, falls möglich, den Akku, wenn Sie das Gerät nicht benutzen, bevor Sie irgendwelche Werkzeuge, Zubehörteile oder Geräteteile austauschen und bevor Sie irgendwelche Wartungsarbeiten vornehmen.

### Vermeiden Sie ein unbeabsichtigtes Einschalten!

Tragen Sie das Gerät nicht mit dem Finger am Ein-/Aus-Schalter. Vergewissern Sie sich, daß das Gerät ausgeschaltet ist, wenn Sie den Akku anbringen.

### Behandeln Sie das Kabel sorgfältig!

Tragen Sie das Ladegerät nicht am Kabel und benutzen Sie das Kabel nicht, um den Stecker aus der Steckdose zu ziehen. Schützen Sie das Kabel vor Hitze, Öl und scharfen Kanten.

### Bewahren Sie Ihre Geräte sicher auf!

Unbenutzte Geräte, Ladegeräte und Akkus sind an einem trockenen, für Kinder nicht erreichbaren Ort aufzubewahren.

### Pflegen Sie Ihre Geräte mit Sorgfalt!

Halten Sie Schneidwerkzeuge scharf und sauber, um gut und sicher arbeiten zu können.

Befolgen Sie die Wartungsvorschriften und die Hinweise für den Werkzeugwechsel. Halten Sie Handgriffe und Schalter trocken, sauber und frei von Öl und Fett.

## Reparaturen:

Dieses Gerät entspricht den einschlägigen Sicherheitsvorschriften. Reparaturen sind nur von autorisierten Fachkräften und mit Original-Ersatzteilen vorzunehmen; andernfalls kann Unfallgefahr für den Betreiber entstehen.

## Zusätzliche Sicherheitshinweise für Akkus und Ladegeräte

### Akkus

- ◆ Versuchen Sie auf keinen Fall, einen Akku zu öffnen.
- ◆ Setzen Sie den Akku keiner Nässe aus.
- ◆ Lagern Sie den Akku nicht an einem Ort, wo die Temperatur 40 °C erreichen kann.
- ◆ Laden Sie den Akku nur bei einer Umgebungstemperatur zwischen 4 °C und 40 °C.
- ◆ Laden Sie den Akku nur mit dem im Lieferumfang enthaltenen Ladegerät (siehe technische Daten).
- ◆ Vergewissern Sie sich vor dem Laden, daß der Akku trocken und sauber ist.
- ◆ Verwenden Sie den korrekten Akkutyp für das jeweilige Gerät (siehe technische Daten).
- ◆ Befolgen Sie bei der Entsorgung von Akkus die Anweisungen im Abschnitt "Umweltschutz".
- ◆ Unter extremen Einsatzbedingungen kann Akkufflüchtigkeit aus dem Akku austreten. Wenn sich Flüssigkeit auf dem Akku befindet, gehen Sie folgendermaßen vor:
  - Wischen Sie die Flüssigkeit mit Hilfe eines Tuches vorsichtig vom Akku. Vermeiden Sie eine Berührung mit der Haut.
  - Falls die Flüssigkeit doch mit der Haut oder den Augen in Berührung kommen sollte, befolgen Sie die folgenden Hinweise.

**Warnung!** Die Akkufflüchtigkeit, eine 25 bis 30% starke Kaliumhydroxidlösung, kann schädlich sein. Falls die Lösung mit der Haut in Berührung kommt, spülen Sie sofort mit reichlich Wasser. Neutralisieren Sie die Lösung mit einer milden Säure wie Zitronensaft oder Essig. Falls die Lösung mit den Augen in Berührung kommt, spülen Sie mindestens 10 Minuten lang mit reichlich klarem Wasser. Wenden Sie sich an einen Arzt.



Feuergefahr! Vermeiden Sie, daß Metallteile die Anschlüsse eines nicht am Gerät befindlichen Akkus kurzschließen (z.B. Schlüssel, die zusammen mit dem Akku in einer Tasche getragen werden).



Verbrennen Sie den Akku nicht!



Versuchen Sie nie, einen beschädigten Akku zu laden!

### Ladegeräte

- ◆ Verwenden Sie Ihr Black & Decker Ladegerät nur zum Laden von Akkus vom im Lieferumfang enthaltenen Typ. Andere Akkus könnten platzen und Sach- und Personenschäden verursachen.
- ◆ Versuchen Sie nie, nichtwiederaufladbare Batterien zu laden.
- ◆ Lassen Sie ein beschädigtes Kabel sofort austauschen.
- ◆ Setzen Sie das Ladegerät keiner Nässe aus.
- ◆ Öffnen Sie das Ladegerät nicht.
- ◆ Fassen Sie nicht mit den Fingern oder irgendwelchen Gegenständen in das Ladegerät.



Nicht für die Verwendung im Freien zugelassen!

## ELEKTRISCHE SICHERHEIT

Überprüfen Sie, ob die Netzspannung der auf dem Typenschild des Ladegerätes angegebenen Spannung entspricht.



Ihr Ladegerät ist gemäß EN 60335 doppelt isoliert; eine Erdleitung ist somit nicht erforderlich.

**Warnung!** Tauschen Sie das Ladegerät auf keinen Fall gegen einen Netzstecker aus.

### Zusätzliche Sicherheitshinweise für Handsägen

- ◆ Verwenden Sie immer ein Sägeblatt, das sich für das zu sägende Material und den gewünschten Schnitttyp eignet.
- ◆ Verwenden Sie nur Sägeblätter in einwandfreiem Zustand.
- ◆ Schalten Sie immer das Gerät aus und warten Sie, bis das Sägeblatt zum Stillstand kommt, bevor Sie das Gerät niederlegen.
- ◆ Halten Sie Ihre Hände während der Arbeit vom Sägeblatt fern.
- ◆ Fassen Sie das Sägeblatt nicht unmittelbar nach dem Gebrauch an - es könnte heiß sein.
- ◆ Versuchen Sie nicht, extrem kleine Werkstücke zu sägen.
- ◆ Bevor Sie in Wände oder Fußböden sägen, informieren Sie sich vor dem Arbeiten über den genauen Verlauf von Leitungen und Kabeln.
- ◆ Schalten Sie das Werkzeug nie ein, wenn das Sägeblatt im Werkstück festgefahren ist oder das Werkstück berührt.
- ◆ Üben Sie keinen seitlichen Druck auf das Sägeblatt aus.
- ◆ Halten Sie das Gerät immer mit beiden Händen.



- ◆ Verwenden Sie das Gerät nicht, während Sie sich in einem Baum, auf einer Leiter oder auf einer anderen instabilen Oberfläche befinden.
- ◆ Seien Sie sich beim Schneiden von Zweigen darüber im klaren, wohin der Zweig fällt.
- ◆ Gehen Sie beim Sägen von Holz oder Metall besonders vorsichtig vor, wenn diese Materialien giftigen Staub verursachen:
  - Tragen Sie zum Schutz vor giftigen Stäuben und Dämpfen eine Staubmaske, und stellen Sie sicher, daß auch andere Personen geschützt sind, die den Arbeitsplatz betreten oder sich darin aufhalten.
  - Verhindern Sie, daß Kinder oder Schwangere den Arbeitsplatz betreten.
  - Essen, trinken und rauchen Sie nicht am Arbeitsplatz.
  - Entsorgen Sie Staubteilchen und andere Schleifabfälle auf fachgerechte Weise.

## Übersicht (Abb. A)

1. Ein-/Aus-Schalter
2. Einschaltsperr
3. Sägeblattaufnahme
4. Schuh
5. Einspannhebel für Sägeblatt
6. Akku
7. Akku-Löseknopf
8. Ladegerät
9. Ladegerätaufnahme

## Zusammenbau

### Anbringen und Entfernen des Akkus (Abb. A)

- ◆ Um den Akku (6) anzubringen, richten Sie ihn mit der Aufnahme am Werkzeug aus. Schieben Sie den Akku in die Aufnahme und drücken Sie, bis er einrastet.
- ◆ Um den Akku zu entfernen, drücken Sie den Löseknopf (7) und ziehen Sie gleichzeitig den Akku aus der Aufnahme heraus.

### Anbringen des Sägeblatts (Abb. B)

- ◆ Halten Sie das Sägeblatt sicher fest. Ist das Sägeblatt mit einer Zahnschutzvorrichtung versehen, lassen Sie diese beim Montieren des Sägeblatts angebracht.
- ◆ Ziehen Sie den Einspannhebel für das Sägeblatt (5) hoch, um die Sägeblattaufnahme zu öffnen.
- ◆ Setzen Sie den Schaft des Sägeblatts bis zum Anschlag in den Sägeblatthalter (3) ein.
- ◆ Bewegen Sie den Einspannhebel für das Sägeblatt (5) nach unten, um die Sägeblattaufnahme zu schließen.
- ◆ Entfernen Sie die Zahnschutzvorrichtung, falls vorhanden.

Hinweis: Dieses Werkzeug wurde so konstruiert, daß es möglich ist, die Sägeblätter entweder mit den Zähnen nach vorne oder nach hinten weisend anzubringen.

## Gebrauch

### Laden des Akkus (Abb. A)

Der Akku ist zu laden, bevor Sie das Akku-Gerät zum ersten Mal benutzen sowie wenn die Leistung des Akku-Geräts spürbar nachläßt. Wenn der Akku zum ersten Mal oder nach längerer Lagerung geladen wird, wird er nur 80% der Nennkapazität erreichen. Erst nach mehreren Lade- und Entladezyklen wird der Akku die volle Kapazität erreichen. Während des Ladens kann sich der Akku erwärmen. Dies deutet nicht auf irgendein Problem hin.

**Warnung!** Laden Sie den Akku nicht bei einer Umgebungstemperatur unter 4 °C oder über 40 °C. Empfohlene Ladetemperatur: zirka 24 °C.

- ◆ Um den Akku (6) zu laden, entfernen Sie ihn vom Werkzeug.
- ◆ Schieben Sie die Aufnahme (9) des Ladegeräts wie angegeben auf den Akku.
- ◆ Stecken Sie den Netzstecker (8) des Ladegerätes in die Steckdose.

Der Akku wird beim Aufladen warm. Nach ca. 3 Stunden Ladezeit ist der Akku für den normalen Gebrauch ausreichend aufgeladen. Nach ca. 6 Stunden Ladezeit ist der Akku vollständig aufgeladen.

- ◆ Entfernen Sie die Aufnahme des Ladegeräts vom Akku.

### Ein- und Ausschalten

- ◆ Um das Werkzeug einzuschalten, bewegen Sie auf die Einschaltsperr (2) in die entriegelte Stellung und betätigen Sie den Ein/Ausschalter (1).
- ◆ Um das Gerät auszuschalten, lassen Sie den Ein-/Ausschalter los.

### Sägen (Abb. C)

- ◆ Halten Sie das Gerät immer mit beiden Händen.
- ◆ Lassen Sie das Sägeblatt einige Sekunden im Leerlauf bewegen, bevor Sie den Schnitt vornehmen.
- ◆ Drücken Sie das Werkzeug während des Sägevorgangs nur leicht an.
- ◆ Falls möglich, arbeiten Sie so, daß der Sägeschuh gegen das Werkstück gedrückt wird. Dadurch läßt sich das Werkzeug besser unter Kontrolle halten, es entstehen weniger Vibrationen und das Sägeblatt wird nicht beschädigt.

### Ratschläge für einen optimalen Gebrauch

#### Sägen von Holz

- ◆ Spannen Sie das Werkstück sorgfältig ein und entfernen Sie sämtliche Nägel und anderen Metallgegenstände.

- ◆ Halten Sie die Säge mit beiden Händen und drücken Sie den Sägeschuh gegen das Werkstück.

## Einsatzschnitte in Holz

- ◆ Vermessen Sie den Einsatzschnitt und zeichnen Sie eine Schnittlinie.
- ◆ Bringen Sie ein für Einsatzschnitte geeignetes Sägeblatt an.
- ◆ Lassen Sie den Sägeschuh so auf dem Werkstück ruhen, daß das Sägeblatt einen für Einsatzschnitte geeigneten Winkel bildet.
- ◆ Schalten Sie das Werkzeug ein und führen Sie das Sägeblatt langsam in das Werkstück. Stellen Sie sicher, daß der Sägeschuh das Werkstück jederzeit berührt.

## Sägen von Metall

- ◆ Seien Sie sich darüber im klaren, daß beim Sägen von Metall sehr viel mehr Zeit als beim Sägen von Holz benötigt wird.
- ◆ Verwenden Sie ein für das Sägen von Metall geeignetes Sägeblatt. Verwenden Sie für Metalle ein Sägeblatt mit feiner Zahnteilung und für Nichtmetalle ein Sägeblatt mit gröberer Zahnteilung.
- ◆ Beim Sägen von dünnem Blech spannen Sie einen Holzrest auf die hintere Fläche des Werkstücks, und schneiden Sie durch diesen "Sandwich".
- ◆ Verteilen Sie einen Ölfilm auf der Schnittlinie.

## Schneiden von Zweigen

Mit diesem Werkzeug können Zweige bis 25 mm Durchmesser geschnitten werden.

**Achtung!** Verwenden Sie das Gerät nicht, während Sie sich in einem Baum, auf einer Leiter oder auf einer anderen instabilen Oberfläche befinden. Seien Sie sich darüber im klaren, wohin der Zweig fällt.

- ◆ Schneiden Sie nach unten und von Ihrem Körper weg.
- ◆ Machen Sie den Schnitt möglichst nahe am Hauptzweig oder Baumkörper.

## Senkrechte Schnitte

Mit diesem Werkzeug können Schnitte in unmittelbarer Nähe von Ecken und anderen schwer zugänglichen Stellen durchgeführt werden.

- ◆ Setzen Sie den Schaft des Sägeblatts mit den Sägezähnen nach oben weisend in den Sägeblatthalter ein.
- ◆ Halten Sie das Werkzeug mit dem Sägeschuh nach unten weisend, so daß Sie sich so nahe wie möglich an der Arbeitsfläche befinden.
- ◆ Schneiden Sie nach vorn und von Ihrem Körper weg.

## Zubehör

Die Leistung Ihres Geräts hängt vom verwendeten Zubehör ab. Black & Decker und Piranha Zubehör ist nach hohen Qualitätsnormen gefertigt und dafür ausgelegt, die Leistung Ihres Geräts zu steigern. Durch Verwendung dieses Zubehörs erzielen Sie die größtmögliche Leistung Ihres Geräts.

## WARTUNG

Ihr Black & Decker Gerät wurde für eine lange Lebensdauer und einen möglichst geringen Wartungsaufwand entwickelt. Ein dauerhafter, einwandfreier Betrieb setzt eine regelmäßige Reinigung voraus.

Ihr Ladegerät bedarf keiner Wartung, außer einer regelmäßigen Reinigung.

- ◆ **Warnung!** Bevor Sie irgendwelche Wartungsarbeiten vornehmen, entfernen Sie den Akku vom Akku-Gerät.
- ◆ **Warnung!** Ziehen Sie den Netzstecker des Ladegerätes aus der Steckdose, bevor Sie es reinigen.
- ◆ Reinigen Sie regelmäßig die Lüftungsschlitze im Gerät mit Hilfe einer weichen Bürste oder eines trockenen Tuches.
- ◆ Reinigen Sie regelmäßig das Motorgehäuse mit Hilfe eines feuchten Tuches. Verwenden Sie keine scheuernden Reinigungsmittel oder Reinigungsmittel auf Lösungsmittelbasis.
- ◆ Überprüfen Sie den Sägeblatthalter regelmäßig auf Sägemehl. Reinigen Sie den Sägeblatthalter mit einer weichen Bürste oder schwacher Druckluft.

## UMWELTSCHUTZ

### Geräte



Black & Decker nimmt Ihre ausgedienten Black & Decker Geräte und Akkus gern zurück und sorgt für eine umweltfreundliche Entsorgung. Diese Dienstleistung ist für Sie kostenlos. Um diese Dienstleistung in Anspruch zu nehmen, geben Sie das Gerät bitte bei einer autorisierten Reparaturwerkstatt ab, die für uns die Einsammlung übernimmt.

### Akkus



Black & Decker Akkus lassen sich viele Male wiederaufladen. Am Ende des technischen Lebens ist der Akku mit Rücksicht auf die Umwelt und fachgerecht zu entsorgen:

- ◆ Entladen Sie den Akku vollständig und entfernen Sie ihn vom Gerät.
- ◆ NiMH- und NiCd-Akkus sind wiederverwertbar. Zur Wiederverwertung oder umweltverträglichen

Entsorgung sind sie bei Ihrem Händler oder einer kommunalen Sammelstelle abzugeben.

Die Adresse des zuständigen Büros von Black & Decker steht in diesem Handbuch, darüber läßt sich die nächstgelegene Vertragswerkstatt ermitteln. Außerdem ist eine Liste der Vertragswerkstätten und aller Kundendienststellen von Black & Decker sowie der zuständigen Ansprechpartner im Internet zu finden unter: [www.2helpU.com](http://www.2helpU.com).

**Technische Daten**

	<b>KS1880S</b>	
Spannung	V <sub>DC</sub>	18
Hubzahl	min <sup>-1</sup>	0 - 3.000
Hub	mm	22
Maximale Schnitttiefe	mm	
Holz		76
Stahl		5
Aluminium		5
Beschneiden	ø	76
Bestellnummer Akku		A18
Gewicht	kg	2,9

**Ladegerät**

Netzspannung	V <sub>AC</sub>	230
Ladezeit (zirka)	Std.	3

**EU-Konformitätserklärung**

Black & Decker erklärt hiermit, daß diese Geräte entsprechend folgenden Richtlinien und Normen konzipiert wurden:  
98/37/EWG, 89/336/EWG, 73/23/EWG, EN 55014, EN 50260, EN 61000

L<sub>pA</sub> (Schalldruck): 83 dB(A), L<sub>WA</sub> (Schalleistung) 94 dB(A), gewichteter Effektivwert der Beschleunigung 8,35 m/s<sup>2</sup>



Colin Wills  
Director of Engineering  
BDCI, 4/F, 2 Dai Wang Street  
Tai Po Industrial Estate  
Tai Po NT, Hong Kong

Tritt innerhalb von 24 Monaten ab Kaufdatum an einem Gerät von Black & Decker ein auf Material- oder Verarbeitungsfehler zurückzuführender Mangel auf, garantiert Black & Decker den Austausch defekter Teile, die Reparatur von Geräten mit üblichem Verschleiß bzw. den Austausch eines mangelhaften Geräts, ohne den Kunden dabei mehr als unbedingt nötig in Anspruch zu nehmen, allerdings vorbehaltlich folgender Ausnahmen:

- ◆ wenn das Gerät gewerblich, beruflich oder im Verleihgeschäft benutzt wurde;
- ◆ wenn das Gerät mißbräuchlich verwendet oder mit mangelnder Sorgfalt behandelt wurde;
- ◆ wenn das Gerät durch irgendwelche Fremdeinwirkung beschädigt wurde;
- ◆ wenn ein unbefugter Reparaturversuch durch anderes Personal als das einer Vertragswerkstatt oder des Black & Decker-Kundendienstes unternommen wurde.

Zur Inanspruchnahme dieser Garantie ist dem Verkäufer bzw. der Vertragswerkstatt ein Kaufnachweis vorzulegen. Der Kaufnachweis muß Kaufdatum und Gerätetyp bescheinigen. Die Adresse des zuständigen Büros von Black & Decker steht in dieser Anleitung, darüber läßt sich die nächstgelegene Vertragswerkstatt ermitteln. Außerdem ist eine Liste der Vertragswerkstätten und aller Kundendienststellen von Black & Decker sowie der zuständigen Ansprechpartner im Internet zu finden unter: [www.2helpU.com](http://www.2helpU.com).

**Garantie**

Black & Decker vertraut auf die Qualität der eigenen Geräte und bietet dem Käufer eine außergewöhnliche Garantie. Diese Garantiezusage versteht sich unbeschadet der gesetzlichen Gewährleistungsansprüche und schränkt diese keinesfalls ein. Sie gilt in sämtlichen Mitgliedsstaaten der Europäischen Union und der Europäischen Freihandelszone EFTA.

## Utilisation prévue

Votre scie Black & Decker a été conçue pour scier du bois, des pièces en bois, du métal et des matériaux gypsifères. Cet outil a été conçu pour une utilisation exclusivement domestique.

Votre chargeur Black & Decker a été conçu pour le chargement de batteries Black & Decker identiques à celles fournies avec cet outil.

## Instructions de sécurité

- ◆ **Attention!** Lors de l'utilisation d'outils sans fil, observez les consignes de sécurité fondamentales, y compris celles qui suivent afin de réduire les risques d'incendie, de fuite de batteries, de blessures et de dommage matériel.
- ◆ Lisez et observez attentivement les instructions avant d'utiliser l'outil.
- ◆ Conservez ces instructions.

### Tenez votre aire de travail propre et bien rangée

Le désordre augmente les risques d'accident.

### Tenez compte des conditions ambiantes

N'exposez pas l'outil à la pluie. N'exposez pas l'outil à l'humidité. Veillez à ce que l'aire de travail soit bien éclairée. N'utilisez pas l'outil s'il existe un risque d'incendie ou d'explosion, par exemple en présence de liquides ou de gaz inflammables.

### Tenez les enfants éloignés

Ne laissez pas les enfants, les visiteurs ou les animaux s'approcher de l'aire de travail ou toucher l'outil.

### Portez des vêtements de travail appropriés

Ne pas porter de vêtements flottants ou de bijoux. Ils pourraient être happés par les pièces en mouvement. Lors de travaux à l'extérieur, il est recommandé de porter des gants en caoutchouc et des chaussures à semelle anti-dérapante. Le cas échéant, attachez vos cheveux s'ils sont longs, ou couvrez vous la tête.

### Protection

Portez toujours des lunettes de protection. Portez des lunettes de protection et un masque pour protéger le visage si le travail exécuté produit de la poussière ou des copeaux volants. Portez des protections auditives lorsque le niveau sonore semble gênant.

### Adoptez une position confortable

Toujours tenir les deux pieds à terre et garder l'équilibre.

### Faites preuve de vigilance

Observez votre travail. Faites preuve de bon sens. Ne pas employer l'outil en cas de fatigue.

### Fixez bien la pièce à travailler

Pour plus de sécurité, fixez la pièce à travailler avec un dispositif de serrage ou un étau. Ainsi, vous aurez les deux mains libres pour manier l'outil.

### Branchez le dispositif d'extraction de poussière.

Si vous disposez de systèmes pour brancher les dispositifs d'extraction et de ramassage de poussière, assurez-vous qu'ils sont bien branchés et qu'ils fonctionnent correctement.

### Enlevez les clés et outils de réglage

Avant de mettre l'outil en marche, retirez les clés et outils de réglage.

### Utilisez l'outil adéquat

Le domaine d'utilisation de l'outil est décrit dans le présent manuel. Ne pas utiliser d'outils ou d'accessoires de trop faible puissance pour exécuter des travaux lourds. L'utilisation d'accessoires autres que ceux recommandés dans le présent manuel pourrait entraîner un risque de blessure. Ne forcez pas l'outil.

**Attention!** L'utilisation d'accessoires autres que ceux recommandés dans le présent manuel pourrait entraîner un risque de blessure.

### Contrôlez les dommages éventuels de votre outil

Avant d'utiliser l'outil, vérifiez soigneusement qu'il n'est pas endommagé. Vérifiez l'alignement des pièces en mouvement, leur prise et toute rupture de pièces, tout dommage des protections et des interrupteurs et toute autre condition pouvant affecter le fonctionnement de l'outil. Veillez à ce que l'outil fonctionne correctement et qu'il exécute les tâches pour lesquelles il est prévu. N'utilisez pas l'outil si une pièce est défectueuse. Ne pas utiliser l'outil si l'interrupteur marche/arrêt ne fonctionne pas. Faites réparer ou échangez toute pièce endommagée par un service de réparation agréé. Ne tentez jamais de le réparer vous-même.

### Enlevez la batterie

Le cas échéant, enlevez la batterie lorsque l'outil n'est pas utilisé, avant de changer toute pièce de l'outil ou tout accessoire et avant de procéder à l'entretien.

### Évitez tout démarrage involontaire

Ne portez pas l'outil avec un doigt sur l'interrupteur marche/arrêt. Veillez à ce que l'outil soit débranché lorsque vous y insérez la pile.

### Ne tirez pas sur le câble d'alimentation

Ne portez jamais le chargeur par le câble et ne tirez pas sur celui-ci pour le débrancher de la prise. Préservez le câble de la chaleur, de l'huile et des arêtes tranchantes.

### Rangez vos outils dans un endroit sûr

Rangez les outils, batteries et chargeurs non utilisés dans un endroit sec, élevé et fermé, hors de portée des enfants.

### Entretenez vos outils avec soin

Maintenez vos outils affûtés et propres afin de travailler mieux et plus sûrement. Suivez les instructions d'entretien et de changement d'accessoires. Maintenez les poignées et les interrupteurs secs, propres et exempts d'huile et de graisse.

## Réparations

Cet outil est conforme aux conditions de sécurité requises. Les réparations devront uniquement être effectuées par des personnes qualifiées utilisant des pièces de rechange d'origine ; en cas contraire, cela pourrait être très dangereux pour l'utilisateur.

## Instructions de sécurité supplémentaires pour les batteries et chargeurs

### Batteries

- ◆ Ne tentez jamais de l'ouvrir pour quelque raison que ce soit.
- ◆ Ne la mettez pas en contact avec de l'eau.
- ◆ Ne la stockez pas à un endroit où la température peut être supérieure à 40 °C.
- ◆ Chargez uniquement à température ambiante entre 4 °C et 40 °C.
- ◆ Chargez uniquement en utilisant le chargeur fourni avec l'outil (voir caractéristiques techniques).
- ◆ Avant le chargement, veillez à ce que la batterie soit sèche et propre.
- ◆ Utilisez uniquement le type de batterie approprié à l'outil (voir caractéristiques techniques).
- ◆ Lorsque vous jetez des batteries, suivez les instructions données à la section "Protection de l'environnement".
- ◆ Dans des conditions extrêmes, la batterie peut fuir. Si vous remarquez que la batterie a coulé, procédez comme suit:
  - Nettoyez soigneusement le liquide à l'aide d'un chiffon. Évitez le contact avec la peau.
  - En cas de contact avec la peau ou les yeux, suivez les instructions ci-dessous.

**Attention!** Le liquide de la batterie, une solution d'hydroxyde de potassium à 25-30%, est toxique. En cas de contact avec la peau, rincer abondamment à l'eau. Neutraliser avec un acide doux tel que du citron ou du vinaigre. En cas de contact avec les yeux, rincer abondamment à l'eau au moins pendant 10 minutes. Consulter un médecin.



Risque d'incendie! Éviter toute possibilité de court-circuit au niveau des contacts d'une batterie (exemple: porter des clés dans la même poche qu'une batterie).



Ne pas incinérer la batterie.



Ne pas charger une batterie endommagée.

## Chargeurs

- ◆ Utilisez uniquement votre chargeur Black & Decker pour charger les batteries fournies avec votre outil ou de même type et modèle. D'autres batteries pourraient exploser et causer des dommages ou blessures.
- ◆ Ne tentez jamais de charger des batteries non-rechargeables.
- ◆ Remplacez immédiatement les fils électriques défectueux.
- ◆ Ne mettez pas le chargeur en contact avec de l'eau.
- ◆ N'ouvrez pas le chargeur.
- ◆ Ne testez pas le chargeur.



Conçu pour une utilisation à l'intérieur uniquement.

## SECURITE ELECTRIQUE

Vérifiez si la tension du chargeur correspond à la tension secteur.



Ce chargeur à double isolation est conforme à la norme EN 60335; un branchement à la terre n'est donc pas nécessaire.

**Attention!** Ne tentez jamais de remplacer le chargeur par une prise au secteur normale.

## Consignes de sécurité supplémentaires pour scies à main électriques.

- ◆ Utilisez toujours le type de lame de scie approprié aux matériaux de la pièce à scier et le bon type de coupe.
- ◆ Utilisez uniquement des lames de scie en parfait état.
- ◆ Eteignez toujours l'outil et attendez que la lame de la scie se soit complètement arrêtée avant de poser l'outil.
- ◆ Tenez vos mains bien à l'écart de la lame de la scie lorsque vous travaillez.
- ◆ Ne touchez pas la lame de scie juste après l'avoir utilisée car elle peut être chaude.
- ◆ Ne tentez pas de scier de très petites pièces.
- ◆ Avant de scier dans des murs ou des planchers, sachez où passent les tuyauteries et les câbles.
- ◆ N'allumez jamais l'outil lorsque la lame de scie est coincée dans la pièce ou quand elle est en contact avec le matériau.
- ◆ N'exercez pas de pression latérale sur la lame de scie.
- ◆ Tenez toujours l'outil des deux mains.
- ◆ N'utilisez pas l'outil lorsque vous êtes monté sur un arbre, une échelle ou toute autre surface instable.
- ◆ Lorsque vous coupez des branchages, prenez garde à la chute de la branche.
- ◆ Prenez des précautions particulières si vous sciez du bois ou du métal dégageant de la poussière toxique :

- Portez un masque contre la poussière spécialement conçu pour vous protéger de la poussière et des fumées toxiques et veillez à ce que les personnes se trouvant à l'intérieur de la zone de travail ou y pénétrant soient également protégées.
- Ne laissez pas les enfants ou les femmes enceintes entrer dans la zone de travail.
- Ne mangez pas, ne buvez pas ou ne fumez pas dans la zone de travail.
- Nettoyez l'outil de toutes particules de poussière et autre débris.

## Aperçu (fig. A)

1. Interrupteur marche/arrêt
2. Bouton de blocage
3. Support de lame
4. Talon
5. Levier de blocage de la lame
6. Batterie
7. Bouton de déverrouillage de la batterie
8. Chargeur
9. Boîtier du chargeur

## Montage

### Installation et retrait de la batterie

- ◆ Pour mettre la batterie en place (6), alignez-la avec le boîtier sur l'outil. Faites glisser la batterie dans le boîtier et poussez jusqu'à ce qu'elle se mette en place avec un bruit sec.
- ◆ Pour retirer la batterie, appuyez sur le bouton de déverrouillage (7) tout en retirant la batterie du boîtier.

### Montage de la lame de scie (fig. B)

- ◆ Maintenir la lame de scie bien fermement. Si la lame de scie est équipée d'un système de protection des dents, laissez-le fixé lorsque vous mettez la lame en place.
- ◆ Poussez le levier (5) vers le haut pour déverrouiller le mécanisme de blocage de la lame.
- ◆ Enfoncez la tige de la lame de scie dans le support de lame (3) aussi loin que possible.
- ◆ Poussez le levier (5) vers le bas pour verrouiller le mécanisme de blocage de la lame.
- ◆ Démontez le système de protection des dents s'il est installé.

Remarque : Cet outil a été conçu pour pouvoir installer les lames de scie dents vers l'avant ou vers l'arrière.

## Utilisation

### Chargement de la batterie (fig. A)

La batterie a besoin d'être chargée avant la première utilisation et à chaque fois qu'elle ne produit pas une puissance suffisante pour des travaux facilement effectués auparavant. Lorsque vous chargez la batterie pour la première fois ou suite à une inutilisation prolongée, le chargement ne se fera qu'à 80%. Après plusieurs cycles de chargement et de déchargement, la batterie atteindra sa capacité totale. La batterie peut chauffer pendant le chargement ; cela est normal et n'indique pas de problème particulier.

**Attention!** Ne chargez pas la batterie à une température ambiante inférieure à 4 °C ou supérieure à 40 °C. Température de chargement recommandée : environ 24 °C.

- ◆ Pour charger la batterie (6), retirez-la de l'outil.
- ◆ Glissez le boîtier du chargeur (9) sur la batterie tel que montré.
- ◆ Branchez le chargeur (8).

La batterie se réchauffe lors du chargement. La batterie sera suffisamment chargée après un délai d'environ 3 heures pour une utilisation normale. La batterie est complètement chargée après un délai d'environ 6 heures.

- ◆ Dégagez la batterie du boîtier du chargeur.

### Démarrage et arrêt

- ◆ Pour allumer l'outil, placez le bouton de verrouillage (2) sur la position déverrouillée et appuyez sur l'interrupteur de marche/arrêt (1).
- ◆ Pour éteindre l'outil, relâchez l'interrupteur marche/arrêt.

### Sciage (fig. C)

- ◆ Tenez toujours l'outil des deux mains.
- ◆ Laissez la lame tourner librement pendant quelques secondes avant de commencer la coupe.
- ◆ Appuyez légèrement sur l'outil pendant que vous sciez.
- ◆ Travaillez si possible avec le talon appuyé sur la pièce. Ceci permet d'améliorer le contrôle de l'outil et de réduire ses vibrations tout en évitant l'endommagement de la lame.

### Conseils pour une utilisation optimale

#### Scier le bois

- ◆ Fixez bien la pièce et retirez tous les clous et objets métalliques.
- ◆ En tenant l'outil des deux mains, travaillez avec le talon en appui sur la pièce.

### Découpe de poches dans du bois

- ◆ Mesurez et marquez l'emplacement de la poche voulue.
- ◆ Installez la lame de scie adaptée à la découpe de poches.
- ◆ Appuyez le talon sur la pièce de sorte que la lame forme un angle approprié pour la découpe de la poche.
- ◆ Allumez l'outil et faites pénétrer doucement la lame dans la pièce. Assurez-vous que le talon est toujours en contact avec la pièce.

### Scier du métal

- ◆ Souvenez-vous qu'il est beaucoup plus long de scier des métaux que de scier du bois.
- ◆ Utilisez une lame de scie adaptée pour scier le métal. Utilisez une lame de scie à dents fines pour les métaux ferreux et une lame de scie plus grossière pour les métaux non-ferreux.
- ◆ Pour couper des feuillards de métal fins, fixez une chute de bois sur l'envers de la pièce et découpez à travers cette superposition.
- ◆ Répandez une fine couche d'huile le long de la ligne de coupe avant de scier.

### Découpe de branchages

Cet outil vous permet de couper des branches mesurant jusqu'à 25 mm de diamètre.

Attention ! N'utilisez pas l'outil lorsque vous êtes monté sur un arbre, une échelle ou toute autre surface instable.

Prenez garde à la chute de la branche.

- ◆ Tronçonnez dans le sens vertical et vers le bas, tenez-vous à distance de l'outil.
- ◆ Coupez le plus près possible de la branche principale ou du tronc de l'arbre.

### Découpe verticale

L'outil vous permet de faire des découpes dans les coins ou d'autres zones difficiles d'accès.

- ◆ Insérez la queue de la lame de scie dans le support de lame en dirigeant les dents de la lame vers le haut.
- ◆ Maintenez l'outil avec le talon dirigé vers le bas de sorte à être le plus près possible de la surface de travail.
- ◆ Tronçonnez vers l'avant, tenez-vous à distance de l'outil.

### Accessoires

Les performances de votre outil dépendent de l'accessoire que vous utilisez. Les accessoires Black & Decker et Piranha sont conçus selon les normes de haute qualité pour améliorer les performances de votre outil. En utilisant ces accessoires, vous obtiendrez les meilleurs résultats de votre outil.

### ENTRETIEN

Votre outil Black & Decker a été conçu pour fonctionner pendant longtemps avec un minimum d'entretien. Un fonctionnement continu satisfaisant dépend d'un nettoyage régulier et d'un entretien de l'outil approprié.

Votre chargeur ne nécessite aucun entretien autre qu'un nettoyage régulier.

- ◆ **Attention!** Avant de procéder à tout entretien de l'outil, retirez la batterie.
- ◆ **Attention!** Débranchez le chargeur avant de le nettoyer.
- ◆ Nettoyez régulièrement les orifices de ventilation de votre outil à l'aide d'une brosse douce ou d'un chiffon sec.
- ◆ Nettoyez régulièrement le châssis du moteur à l'aide d'un chiffon mouillé. N'utilisez pas de produits abrasifs ou à base de solvant.
- ◆ Vérifiez régulièrement l'accumulation de poussière sur le support de la lame de scie. Nettoyez le support de la lame de scie avec une brosse douce ou de l'air comprimé à basse pression.

### PROTECTION DE L'ENVIRONNEMENT

#### Outils



Black & Decker fournit un dispositif permettant de recycler les produits Black & Decker et des batteries rechargeables lorsqu'ils ont atteint la fin de leur cycle de vie. Ce service est gratuit. Pour pouvoir profiter de ce service, veuillez retourner votre produit à un réparateur agréé qui se chargera de le collecter pour nous.

#### Batteries



Les batteries Black & Decker peuvent être rechargées de nombreuses fois. A la fin de leur durée de vie technique, jetez les batteries en respectant l'environnement :

- ◆ Videz complètement la batterie, puis retirez-la de l'outil.
- ◆ Les batteries NiCd et NiMH sont recyclables. Apportez-les à votre réparateur agréé ou à un centre de recyclage local.

Pour connaître l'adresse du réparateur agréé le plus proche de chez vous, contactez le bureau Black & Decker à l'adresse indiquée dans ce manuel. Vous pourrez aussi trouver une liste des réparateurs agréés de Black & Decker et de plus amples détails sur notre service après-vente sur le site Internet à l'adresse suivante : [www.2helpU.com](http://www.2helpU.com).

**Caractéristiques techniques**

		<b>KS1880S</b>
Voltage	$V_{DC}$	18
Nombre de courses	$\text{min}^{-1}$	0 - 3.000
Longueur de course	mm	22
Profondeur max. de coupe	mm	
Bois		76
Acier		5
Aluminium		5
Élagage	$\varnothing$	76
Cat. no. batterie		A18
Poids	kg	2,9

**Chargeur**

Tension secteur	$V_{AC}$	230
Temps de chargement approx.	h	3

**Déclaration de conformité CE**

Black & Decker déclare que ces outils sont conformes aux normes:

98/37/CEE, 89/336/CEE, 73/23/CEE, EN 55014, EN 50260, EN 61000

$L_{pA}$  (pression acoustique): 83 dB(A),  $L_{WA}$  (puissance acoustique) 94 dB(A), niveau de vibration main/bras 8,35  $\text{m/s}^2$



Colin Wills  
 Director of Engineering  
 BDCI, 4/F, 2 Dai Wang Street  
 Tai Po Industrial Estate  
 Tai Po NT, Hong Kong

**Garantie**

Black & Decker est confiant dans la qualité de ses produits et vous offre une garantie très étendue. Ce certificat de garantie est un document supplémentaire et ne peut en aucun cas se substituer à vos droits légaux. La garantie est valable sur tout le territoire des Etats Membres de l'Union Européenne et de la Zone de Libre Echange Européenne.

Si un produit Black & Decker s'avère défectueux en raison de matériaux en mauvaises conditions, d'une erreur humaine, ou d'un manque de conformité dans les 24 mois suivant la date d'achat, Black & Decker garantit le remplacement des pièces défectueuses, la réparation des produits usés ou cassés ou remplace ces produits à la convenance du client, sauf dans les circonstances suivantes :

- ◆ Le produit a été utilisé dans un but commercial, professionnel, ou a été loué.
- ◆ Le produit a été mal utilisé ou avec négligence.
- ◆ Le produit a subi des dommages à cause d'objets étrangers, de substances ou à cause d'accidents.

- ◆ Des réparations ont été tentées par des techniciens ne faisant pas partie du service technique de Black & Decker.

Pour avoir recours à la garantie, il est nécessaire de fournir une preuve d'achat au vendeur ou à un réparateur agréé. Pour connaître l'adresse du réparateur agréé le plus proche de chez vous, contactez le bureau Black & Decker à l'adresse indiquée dans ce manuel. Vous pourrez aussi trouver une liste des réparateurs agréés de Black & Decker et de plus amples détails sur notre service après-vente sur le site Internet à l'adresse suivante : [www.2helpU.com](http://www.2helpU.com).



## Uso previsto

La sega Black & Decker è stata progettata per segare legno, prodotti del legno, metalli e materiali gessiferi. L'utensile è stato progettato per un uso individuale.

Il vostro caricabatteria Black & Decker è stato progettato per caricare batterie Black & Decker del tipo fornito con questo utensile.

## Istruzioni di sicurezza

- ◆ Quando si adoperano utensili a batteria, per ridurre il rischio di incendi, fuoriuscita di liquido dalle batterie, danni personali e materiali, è necessario osservare alcune precauzioni di sicurezza fondamentali, incluso le seguenti.
- ◆ Prima di adoperare l'utensile, leggere attentamente le istruzioni di cui al presente manuale.
- ◆ Conservare questo manuale di istruzioni per successive consultazioni.

### Tenere pulita l'area di lavoro

Ambienti e banchi di lavoro in disordine possono essere causa d'incidenti.

### Tener presenti le caratteristiche dell'ambiente di lavoro

Non lasciare l'utensile sotto la pioggia. Non usare l'utensile in ambienti carichi di umidità. Tenere ben illuminata l'area di lavoro. Non usare l'utensile quando vi sia rischio di provocare un incendio o una esplosione, per es. in luoghi con atmosfera gassosa o infiammabile.

### Tenere i bambini lontani dall'area di lavoro

Non permettere ai bambini, ad altre persone o ad animali di avvicinarsi alla zona di lavoro o di toccare l'utensile.

### Usare il vestiario appropriato

Evitare l'uso di abiti svolazzanti, catenine, ecc. in quanto potrebbero rimanere impigliati nelle parti mobili dell'utensile. Lavorando all'aperto indossare guanti di gomma e scarpe con soles antiscivolo. Raccogliere i capelli se si portano lunghi.

### Protezione personale

Indossate occhiali di sicurezza. Indossate una mascherina contro la polvere ogni volta che l'uso dell'utensile provochi polvere o schegge. Indossate cuffie acustiche quando considerate che il livello acustico sia troppo alto.

### Non sbilanciarsi

Mantenere sempre un buon equilibrio evitando posizioni malsicure.

### Stare sempre attenti

Prestare attenzione a quanto si sta facendo. Usare il proprio buon senso. Non utilizzare l'utensile quando si è stanchi.

### Bloccare il pezzo da lavorare

Usare pinze o morse per bloccare il pezzo da lavorare. Ciò aumenta la sicurezza e consente di mantenere entrambe le mani libere per operare meglio.

### Connettere l'apparecchiatura aspirapolvere

Se sono forniti i dispositivi per la connessione delle macchine per l'aspirazione e la raccolta della polvere, verificare che vengano collegate e utilizzate correttamente.

### Non lasciare sull'utensile chiavi o strumenti di misura

Prima di mettere in funzione l'utensile abbiate cura di togliere chiavi e altri strumenti.

### Adoperare l'utensile adatto alla situazione

L'utilizzo previsto è quello indicato nel presente manuale. Non forzare utensili e accessori di potenza limitata impiegandoli per lavori destinati ad utensili di maggiore potenza. Non forzare l'utensile.

**Attenzione!** L'uso di accessori o attrezzature diversi o l'impiego del presente utensile per scopi diversi da quelli indicati nel presente manuale d'uso comportano il rischio di infortuni.

### Controllare che non vi siano parti danneggiate

Prima dell'uso, controllare che l'utensile non presenti danni. Controllare se ci sono parti non allineate o parti mobili con gioco, pezzi rotti, danni alle protezioni o agli interruttori e qualsiasi altra condizione che possa incidere sul funzionamento dell'utensile. Accertare che l'utensile funzioni come previsto e che venga impiegato per lo scopo per cui è stato progettato. Non usare l'utensile se presenta elementi danneggiati o difettosi. Non impiegare l'utensile se non è possibile accenderlo e spegnerlo mediante l'interruttore. Eventuali componenti difettosi o danneggiati vanno sostituiti o riparati da un tecnico autorizzato. Non tentare mai di effettuare delle riparazioni.

### Estrarre la batteria

Togliere la batteria quando l'utensile non è in uso, o prima di cambiare pezzi, accessori o complementi o prima di eseguire lavori di manutenzione.

### Evitate di avviare l'utensile quando non è necessario

Non portate l'utensile con il dito sull'interruttore. Assicuratevi che l'utensile sia spento quando inserite le batterie nell'utensile.

### Non forzate il cavo di collegamento elettrico

Non usate il cavo elettrico del carica batterie per muoverlo e non tirate il cavo per scollegarlo dalla presa. Mantenete il cavo lontano da fonti di calore, olio e spigoli taglienti.

### Conservazione dell'utensile dopo l'uso

Quando non è in uso, l'utensile, le batterie e i caricabatterie devono essere riposti in un luogo asciutto e fuori dalla portata dei bambini.

### Mantenere l'utensile con cura

Mantenere gli utensili da taglio affilati e puliti in modo da ottenere una miglior e più sicura resa. Seguire le istruzioni di manutenzione e cambio di accessori. Mantenere le impugnature e gli interruttori asciutti, puliti e senza tracce di olio o grassi.

### Riparazioni

Questo utensile è conforme ai relativi requisiti di sicurezza. Le riparazioni devono essere eseguite soltanto da personale qualificato e con pezzi di ricambio originali, per evitare di esporre gli utenti a considerevoli rischi.

## Istruzioni di sicurezza aggiuntive per batterie e caricabatteria

### Batterie

- ◆ Non tentate di aprirle in nessuna circostanza.
- ◆ Non fatele bagnare.
- ◆ Non riponetele in luoghi dove la temperatura possa oltrepassare i 40 °C.
- ◆ Caricatele solo ad una temperatura ambientale compresa tra i 4 °C ed i 40 °C.
- ◆ Caricate la batteria usando soltanto il caricabatteria fornito con l'utensile (vedete i dati tecnici).
- ◆ Prima di caricare la batteria assicuratevi che sia pulita ed asciutta.
- ◆ Usate soltanto il tipo adeguato di batteria per l'utensile (vedete i dati tecnici).
- ◆ Prima di gettare le batterie esaurite, vi preghiamo di leggere le istruzioni specificate nella sezione "Protezione dell'ambiente".
- ◆ In condizioni estreme, la batteria può perdere liquido. Nel caso doveste notare la presenza di liquido sulla batteria, procedere come di seguito specificato:
  - Asciugate il liquido con un panno. Evitate il contatto con la pelle.
  - In caso di contatto con la pelle o con gli occhi, seguite le istruzioni di seguito riportate.

**Attenzione!** Il liquido delle batterie, una soluzione al 25-30% di idrossido di potassio, può essere pericoloso. In caso di contatto con la pelle, lavare immediatamente con abbondante acqua, quindi neutralizzarne l'azione con una soluzione leggermente acida come succo di limone o aceto. In caso di contatto con gli occhi, risciacquare abbondantemente con acqua pulita per 10 minuti almeno. Rivolgersi a un medico.



Pericolo d'incendio! Evitare di mettere in cortocircuito i contatti della batteria rimossa con oggetti metallici (ad es. con un mazzo di chiavi tenute nello stesso scomparto insieme alla batteria).



Non incenerire la batteria.



Non caricate batterie danneggiate.

### Caricabatteria

- ◆ Usate il vostro caricabatteria Black & Decker per caricare le batterie fornite con il vostro utensile. Altri tipi di batterie potrebbero esplodere, provocando danni personali e materiali.
- ◆ Non tentate mai di ricaricare una batteria non ricaricabile.

- ◆ Cambiate immediatamente i cavi difettosi.
- ◆ Fate attenzione a non bagnare il caricabatteria.
- ◆ Non aprite il caricabatteria.
- ◆ Non testare il caricabatteria.



Da usarsi soltanto in interni.

## SICUREZZA ELETTRICA

Assicurarsi che la tensione del caricatore corrisponda a quella erogata dalla rete.



Il caricatore è fornito di doppio isolamento, in ottemperanza alla norma EN 60335, per la quale non è richiesta la messa a terra.

**Attenzione!** Non cercate di rimpiazzare il carica batteria inserendo l'utensile in una presa di corrente.

### Ulteriori norme di sicurezza per le seghe manuali

- ◆ Usare sempre lame di tipo adatto al materiale in lavorazione e al tipo di taglio.
- ◆ Usare esclusivamente lame in perfetto stato.
- ◆ Prima di poggiare la sega, spegnerla e attendere sempre che la lama si arresti.
- ◆ Tenere le mani lontane dalla lama mentre si lavora.
- ◆ Non toccare la lama della sega subito dopo l'uso: potrebbe essere calda.
- ◆ Non tentare di tagliare pezzi estremamente piccoli.
- ◆ Prima di segare pareti o pavimenti, controllare l'ubicazione di cavi elettrici e tubazioni non visibili.
- ◆ Non accendere mai la sega se la lama è inceppata nel pezzo in lavorazione o è a contatto con il materiale.
- ◆ Non esercitare pressione laterale sulla lama della sega.
- ◆ Mantenere sempre l'utensile con entrambe le mani.
- ◆ Non utilizzare l'utensile se ci si trova su un albero, su una scala o su qualsiasi altra superficie poco stabile.
- ◆ Quando si tagliano dei rami, individuare prima il punto in cui cadranno.
- ◆ Il taglio di legno e metalli che possono produrre polveri tossiche richiede l'adozione di misure speciali:
  - Indossare una mascherina antipolvere specifica per polveri e fumi tossici e controllare che anche le persone presenti o in arrivo nell'area di lavoro siano adeguatamente protette.
  - Vietare l'ingresso nell'area di lavoro a bambini o donne in gravidanza.
  - Non mangiare, bere o fumare nell'area di lavoro.
  - Eliminare la polvere e i rifiuti prendendo le necessarie misure di sicurezza.

## Informazioni generali (fig. A)

1. Interruttore acceso/spento
2. Pulsante di sblocco
3. Portalama
4. Pattino
5. Leva fermalama
6. Batteria
7. Pulsante di sblocco batteria
8. Caricabatteria
9. Base del caricabatteria

## Montaggio

### Inserimento ed estrazione della batteria (fig. A)

- ◆ Per alloggiare la batteria (6), allinearla alla base dell'utensile. Fare scivolare la batteria nella base fino a che non si inserisce con uno scatto.
- ◆ Per estrarre la batteria, premere il pulsante di sblocco (7) e, contemporaneamente, estrarre la batteria dalla base.

### Installazione della lama della sega (fig. B)

- ◆ Afferrare saldamente la lama della sega. La protezione per i denti della lama, se presente, deve essere lasciata in posizione mentre s'installa la lama.
- ◆ Sollevare la leva fermalama (5) per liberare la lama dal meccanismo che la blocca.
- ◆ Inserire il gambo della lama nel supporto della lama (3) per quanto possibile.
- ◆ Abbassare la leva fermalama (5) per fermare il meccanismo che blocca la lama.
- ◆ Togliere l'eventuale protezione dei denti.

Nota: questo utensile è stato progettato per consentire d'installare le lame con i denti rivolti in avanti o indietro.

## Uso

### Caricamento della batteria (fig. A)

È necessario caricare la batteria prima del primo utilizzo e ogniqualvolta che non eroghi la sufficiente energia per eseguire un lavoro che prima veniva eseguito con facilità. Quando si carica la batteria per la prima volta, o dopo un lungo periodo d'inattività, accetterà soltanto l'80% della sua capacità. Dopo diversi cicli di carica e scarica la batteria raggiunge la sua piena capacità. La batteria si può riscaldare durante il processo di carica; è normale e non è indicativo di nessun problema.

**Attenzione!** Non caricare la batteria ad una temperatura ambiente inferiore ai 4 °C o superiore ai 40 °C. La temperatura di carica consigliata è di circa 24 °C.

- ◆ Per caricare la batteria (6), rimuoverla dall'utensile.

- ◆ Far scivolare la base del caricabatteria (9) nella batteria, come illustrato.
- ◆ Inserire nella presa la spina del caricabatteria (8).

La batteria si scalda durante la carica. Dopo circa tre ore la batteria sarà sufficientemente carica da consentire l'uso per applicazioni regolari. La batteria sarà completamente carica dopo circa sei ore.

- ◆ Togliere dalla batteria la base del caricabatteria.

### Accensione e spegnimento

- ◆ Per accendere l'utensile, spostare il pulsante di blocco (2) in posizione sbloccata e spingere l'interruttore on / off (1).
- ◆ Per spegnere l'utensile, rilasciare l'interruttore on/off.

### Taglio (fig. C)

- ◆ Mantenere sempre l'utensile con entrambe le mani.
- ◆ Prima di iniziare il taglio, lasciare funzionare a vuoto la lama per pochi secondi.
- ◆ Quando si esegue il taglio, esercitare solo una leggera pressione sull'utensile.
- ◆ Se possibile, lavorare con la piastra premuta contro il pezzo in lavorazione. In questo modo si controlla meglio l'utensile, se ne riducono le vibrazioni e si evita di danneggiare la lama.

### Consigli per un uso ottimale

#### Taglio del legno

- ◆ Fermare saldamente il pezzo da lavorare ed estrarne tutti i chiodi e altri eventuali oggetti metallici.
- ◆ Afferrare l'utensile con entrambe le mani ed eseguire il taglio con la piastra premuta contro il pezzo in lavorazione.

#### Taglio di incavi nel legno

- ◆ Misurare e contrassegnare la cavità da praticare.
- ◆ Installare una lama adatta a realizzare degli incavi.
- ◆ Poggiare la piastra sul pezzo da lavorare, in modo che la lama formi un angolo adatto per il taglio dell'incavo.
- ◆ Accendere l'utensile e, lentamente, affondare la lama nel pezzo in lavorazione. Controllare che la piastra rimanga sempre a contatto con il pezzo.

#### Taglio di metallo

- ◆ Per tagliare il metallo è necessario molto più tempo che per tagliare il legno.
- ◆ Utilizzare una lama adatta a segare il metallo. Usare una lama da sega con denti sottili per il taglio di metalli ferrosi e una lama più spessa per i materiali non ferrosi.
- ◆ Quando si lavora con metallo in fogli, fissare un pezzo di compensato sulla superficie posteriore del foglio e tagliare l'insieme risultante.

- ◆ Prima di procedere con il taglio, lubrificare la linea di taglio con uno strato di olio.

## Potatura

Con questo utensile è possibile tagliare rami con diametro massimo di 25 mm.

**Attenzione!** Non utilizzare l'utensile se ci si trova su un albero, su una scala o su qualsiasi altra superficie poco stabile.

Quando si recidono dei rami, identificare il punto in cui cadranno.

- ◆ Il taglio deve essere eseguito verso il basso e in direzione opposta al proprio corpo.
- ◆ Eseguire il taglio vicino al ramo principale o al corpo dell'albero.

## Taglio verticale

L'utensile consente di tagliare in aderenza di angoli e altre superfici difficili.

- ◆ Inserire il gambo della lama nel portalama, con i denti della lama rivolti verso l'alto.
- ◆ Tenere l'utensile con la piastra rivolta in basso, in modo da avvicinarsi per quanto possibile alla superficie da lavorare.
- ◆ Il taglio va eseguito in avanti, in direzione opposta al proprio corpo.

## Accessori

Le prestazioni dell'utensile dipendono dall'accessorio usato. Gli accessori Black & Decker e Piranha, che sono prodotti di altissima qualità, sono stati progettati per ottimizzare la resa dell'utensile. Quando si scelgono questi accessori l'utensile offre prestazioni eccellenti.

## MANUTENZIONE

Il vostro utensile Black & Decker è stato progettato per funzionare per un lungo periodo di tempo con il minimo di manutenzione. Il funzionamento continuo e soddisfacente dipende dall'adeguata cura dell'utensile e da pulizie sistematiche.

Il vostro caricabatterie non richiede di nessun tipo di manutenzione oltre la sua regolare pulizia.

- ◆ **Attenzione!** Prima di eseguire qualsiasi tipo di manutenzione dell'utensile, togliete le batterie dall'utensile.
- ◆ **Attenzione!** Scollegate il caricabatterie dalla presa elettrica prima di pulirlo.
- ◆ Pulite regolarmente le feritoie di ventilazione del vostro utensile con un pennello soffice od un panno asciutto.
- ◆ Pulite regolarmente la carcassa del motore con un panno umidito. Non usate materiali abrasivi o pulitori con diluenti.

- ◆ Controllare regolarmente che non ci sia segatura a ostruire il portalama. Pulire il portalama della sega con un pennello morbido o aria a bassa pressione.

## PROTEZIONE DELL'AMBIENTE

### Utensili



Black & Decker offre ai suoi clienti la possibilità di riciclare i prodotti Black & Decker e le batterie ricaricabili che hanno esaurito la loro vita di servizio. Il servizio viene offerto gratuitamente. Per utilizzarlo, è sufficiente restituire il prodotto a qualsiasi tecnico autorizzato, incaricato della raccolta per conto dell'azienda.

### Batterie



Le batterie della Black & Decker si possono ricaricare più volte: al termine della loro vita di servizio, vanno messe negli appositi contenitori, per garantirne lo smaltimento nel rispetto dell'ambiente.

- ◆ Quando è completamente esaurita, la batteria va estratta dall'utensile.
- ◆ Le batterie NiCd e NiMH sono riciclabili e vanno consegnate a qualsiasi tecnico autorizzato o portate presso un impianto di riciclaggio.

Per individuare il tecnico autorizzato più vicino, rivolgersi alla sede Black & Decker locale, presso il recapito indicato nel presente manuale. Altrimenti un elenco completo di tutti i tecnici autorizzati Black & Decker e i dettagli completi sui contatti e i servizi post-vendita sono disponibili su Internet presso: [www.2helpU.com](http://www.2helpU.com).

### Dati tecnici

		KS1880S
Tensione	$V_{DC}$	18
Numero di corse	$min^{-1}$	0 - 3,000
Lunghezza della corsa	mm	22
Profondità massima di taglio	mm	
Legno		76
Acciaio		5
Alluminio		5
Potatura	$\varnothing$	76
N. cat. batteria		A18
Peso	kg	2,9

### Caricabatteria

Tensione di rete	$V_{AC}$	230
Tempo approssimato di carica	h	3

## Dichiarazione CE di conformità

Black & Decker dichiara che questi utensili sono stati costruiti in conformità a:

98/37/CEE, 89/336/CEE, 73/23/CEE, EN 55014, EN 50260,  
EN 61000

$L_{PA}$  (rumorosità): 83 dB(A),  $L_{WA}$  (potenza sonora) 94 dB(A),  
vibrazioni mano-braccio 8,35 m/s<sup>2</sup>



Colin Wills  
Director of Engineering  
BDCI, 4/F, 2 Dai Wang Street  
Tai Po Industrial Estate  
Tai Po NT, Hong Kong

## Garanzia

Certa della qualità dei suoi prodotti, Black & Decker offre una garanzia eccezionale. Il presente certificato di garanzia è complementare ai diritti statutari e non li pregiudica in alcun modo. La garanzia è valida entro il territorio degli Stati membri dell'Unione Europea e dell'EFTA (European Free Trade Area).

Se un prodotto Black & Decker risulta difettoso per qualità del materiale, della costruzione o per mancata conformità entro 24 mesi dalla data di acquisto, Black & Decker garantisce la sostituzione delle parti difettose, provvede alla riparazione dei prodotti se ragionevolmente usurati oppure alla loro sostituzione, in modo da ridurre al minimo il disagio del cliente a meno che:

- ◆ Il prodotto non sia stato destinato ad usi commerciali, professionali o al noleggio;
- ◆ Il prodotto non sia stato usato in modo improprio o scorretto;
- ◆ Il prodotto non abbia subito danni causati da oggetti o sostanze estranee oppure incidenti;
- ◆ Il prodotto non abbia subito tentativi di riparazione non effettuati da tecnici autorizzati né dall'assistenza Black & Decker.

Per attivare la garanzia è necessario esibire la prova comprovante l'acquisto al venditore o al tecnico autorizzato. Per individuare il tecnico autorizzato più vicino, rivolgersi alla sede Black & Decker locale, presso il recapito indicato nel presente manuale. Altrimenti un elenco completo di tutti i tecnici autorizzati Black & Decker e i dettagli completi sui contatti e i servizi post-vendita sono disponibili su Internet presso: **[www.2helpU.com](http://www.2helpU.com)**.

## Gebruik volgens bestemming

Uw Black & Decker zaag is ontworpen voor het zagen van hout, houtproducten, metaal en giphoudende materialen. Deze machine is uitsluitend bestemd voor consumentengebruik.

Uw Black & Decker oplader is ontworpen voor het opladen van Black & Decker accu's van het type dat bij deze machine wordt geleverd.

## Veiligheidsvoorschriften

- ◆ **Waarschuwing!** Bij het gebruik van accugevoede machines dienen ter bescherming tegen brandgevaar, vrijkomen van accuvloeistof, letsel en materiële schade altijd gepaste veiligheidsmaatregelen in acht te worden genomen, waaronder de volgende veiligheidsvoorschriften.
- ◆ Lees de gebruiksaanwijzing aandachtig door voordat u met de machine gaat werken.
- ◆ Bewaar deze instructies zorgvuldig!

### Zorg voor een opgeruimde werkomgeving

Een rommelige werkomgeving leidt tot ongelukken.

### Houd rekening met omgevingsinvloeden

Stel de machine niet bloot aan regen. Gebruik de machine niet in een vochtige of natte omgeving. Zorg dat de werkomgeving goed is verlicht. Gebruik de machine niet op plaatsen waar brand- of explosiegevaar bestaat, b.v. in de buurt van brandbare vloeistoffen of gassen.

### Houd kinderen uit de buurt

Houd kinderen, bezoekers en dieren buiten het werkgebied en laat ze de machine niet aanraken.

### Draag geschikte werkkleding

Draag geen wijde kleding of loshangende sieraden. Deze kunnen door de bewegende delen worden gegrepen. Draag bij het werken buitenshuis bij voorkeur rubber werkhandschoenen en schoenen met profielzolen. Houd lang haar bijeen.

### Persoonlijke bescherming

Draag altijd een veiligheidsbril. Draag een gezichts- of stofmasker bij werkzaamheden waarbij stofdeeltjes of spanen vrijkomen. Draag altijd gehoorbescherming als het geluidsniveau onaangenaam hoog is.

### Zorg voor een veilige houding

Zorg altijd voor een juiste, stabiele houding.

### Blijf voortdurend opletten

Houd uw aandacht bij uw werk. Ga met verstand te werk. Gebruik de machine niet als u niet geconcentreerd bent.

### Klem het werkstuk goed vast

Gebruik klemmen of een bankschroef om het werkstuk te fixeren. Dit is veiliger, bovendien kan de machine dan met beide handen worden bediend.

### Sluit de uitrusting van de stofafvoer aan

Indien hulpmiddelen zijn meegeleverd voor de aansluiting van stofafvoer en voorzieningen voor stofopvang, zorg dan dat deze zijn aangesloten en naar behoren worden gebruikt.

### Verwijder sleutels en hulpgereedschappen

Controleer vóór het inschakelen altijd of sleutels en andere hulpgereedschappen zijn verwijderd.

### Gebruik de juiste machine

Het gebruik volgens bestemming is beschreven in deze handleiding. Gebruik geen te lichte machine of hulpstukken voor te zwaar werk. De machine werkt beter en veiliger indien u deze gebruikt voor het beoogde doel. Overbelast de machine niet.

**Waarschuwing!** Gebruik ter voorkoming van lichamelijk letsel uitsluitend de in deze gebruiksaanwijzing aanbevolen accessoires en hulpstukken. Gebruik de machine uitsluitend volgens bestemming.

### Controleer de machine op beschadigingen

Controleer de machine voor gebruik op schade. Controleer of alle bewegende delen correct gemonteerd zijn, of er geen onderdelen gebroken zijn, of er geen beschermkappen en schakelaars beschadigd zijn en of er andere gebreken zijn die invloed op de werking van de machine zouden kunnen hebben. Vergewis u er van dat de machine correct werkt. Gebruik de machine niet als enig onderdeel defect is. Gebruik de machine niet als de aan/uit-schakelaar niet werkt. Defecte onderdelen dienen door een erkend servicecentrum te worden gerepareerd of vervangen. Probeer nooit om de machine zelf te repareren.

### Verwijder de accu

Neem de accu van de machine als u de machine niet gebruikt, voordat u gereedschappen, accessoires of onderdelen van de machine verwisselt en voordat u onderhoud aan de machine uitvoert.

### Voorkom onbedoeld inschakelen

Draag de machine niet met uw vingers aan de aan/uit-schakelaar. Vergewis u er van dat de machine is uitgeschakeld als u de accu aanbrengt.

### Misbruik het snoer niet

Draag de oplader nooit aan het snoer. Trek niet aan het snoer om de stekker uit het stopcontact te verwijderen. Houd het snoer uit de buurt van warmtebronnen, olie en scherpe randen.

### Berg de machine veilig op

Berg de machine, oplader en accu na gebruik op in een droge ruimte, buiten het bereik van kinderen.

### Onderhoud de machine met zorg

Houd snijgereedschappen scherp en schoon om beter en veiliger te kunnen werken. Houdt u aan de instructies met betrekking tot het onderhoud en het vervangen van accessoires. Houd de handgrepen en schakelaars droog en vrij van olie en vet.

## Reparaties

Deze machine voldoet aan de geldende veiligheidseisen. Reparaties mogen uitsluitend worden uitgevoerd door bevoegde vakmensen en met behulp van originele reserveonderdelen; anders kan er een aanzienlijk gevaar voor de gebruiker ontstaan.

## Aanvullende veiligheidsvoorschriften voor accu's en opladers

### Accu's

- ◆ Probeer nooit een accu te openen.
- ◆ Stel accu's niet aan water bloot.
- ◆ Bewaar accu's niet op plaatsen waar de temperatuur 40 °C kan overschrijden.
- ◆ Laad accu's uitsluitend op bij een omgevingstemperatuur tussen 4 °C en 40 °C.
- ◆ Laad accu's uitsluitend op met behulp van de meegeleverde oplader (zie technische gegevens).
- ◆ Controleer voor het opladen of de accu droog en schoon is.
- ◆ Gebruik het juiste type accu voor de machine (zie technische gegevens).
- ◆ Volg bij het afdanken van accu's de instructies in de paragraaf "Milieu" op.
- ◆ Onder extreme gebruiksomstandigheden kan er vloeistof uit de accu vrijkomen. Als u vloeistof op de accu opmerkt, gaat u als volgt te werk:
  - Verwijder met behulp van een doekje voorzichtig de vloeistof van de accu. Vermijd huidcontact.
  - Als de vloeistof toch in aanraking komt met de huid of de ogen, volgt u de onderstaande instructies op.

**Waarschuwing!** De accuvloeistof bestaat uit een 25-30 % oplossing van kaliumhydroxide en kan gevaarlijk zijn. Indien accuvloeistof met de huid in aanraking is gekomen, spoel dan de huid onmiddellijk met water af. Neutraliseer de vloeistof met een zwak zuur zoals citroensap of azijn. Indien de accuvloeistof in de ogen is gekomen, spoel de ogen dan gedurende minimaal 10 minuten met schoon stromend water. Raadpleeg vervolgens een arts.



Vorkom kortsluiting tussen de contactpunten van een losse accu (bijv. door het bewaren van sleutels in dezelfde zak als de accu).



Verbrand de accu nooit.



Probeer nooit een beschadigde accu op te laden.

## Opladers

- ◆ Gebruik uw Black & Decker oplader uitsluitend voor het opladen van accu's van het meegeleverde type. Andere accu's kunnen barsten, wat tot letsel en materiële schade kan leiden.
- ◆ Probeer nooit om niet oplaadbare batterijen op te laden.
- ◆ Laat een defect netsnoer onmiddellijk vervangen.
- ◆ Stel de oplader niet aan water bloot.
- ◆ Open de oplader niet.
- ◆ Steek geen voorwerpen in het inwendige van de oplader.



Uitsluitend voor gebruik binnenshuis.

## ELEKTRISCHE VEILIGHEID

Controleer of de ingangsspanning van de oplader overeenkomt met de netspanning.



Uw oplader is dubbel geïsoleerd overeenkomstig EN 60335. Een aarddraad is daarom niet vereist.

**Waarschuwing!** Vervang de oplader nooit door een netstekker.

## Extra veiligheidsvoorschriften voor handzaagmachines

- ◆ Gebruik altijd het geschikte type zaagblad voor het te bewerken materiaal en de te verrichten zaagsnede.
- ◆ Gebruik alleen zaagbladen in goede conditie.
- ◆ Schakel altijd de machine uit en wacht altijd tot het zaagblad volledig tot stilstand is gekomen voordat u de machine neerlegt.
- ◆ Houd uw handen weg van het zaagblad tijdens de werkzaamheden.
- ◆ Raak het zaagblad direct na gebruik niet aan, omdat dit heet kan zijn.
- ◆ Het zagen van zeer kleine werkstukken wordt afgeraden.
- ◆ Let bij het zagen in muren of vloeren op de verborgen pijpleidingen en bedrading.
- ◆ Schakel de machine nooit in wanneer het zaagblad is vastgelopen in het werkstuk of wanneer het zaagblad in contact is met het materiaal
- ◆ Oefen geen zijwaartse druk uit op het zaagblad.
- ◆ Houd de machine altijd met beide handen vast.
- ◆ Gebruik de machine niet als u zich in een boom bevindt, op een ladder, of op enig andere, onstabiele ondergrond.
- ◆ Houd er bij het zagen van takken rekening mee waar de tak zal vallen.
- ◆ Neem speciale maatregelen bij het zagen van bepaalde hout- en metaalsoorten die mogelijk giftige stoffen produceren:

- Draag een stofmasker dat speciaal ontworpen is ter bescherming tegen giftige stoffen en dampen en verzeker u ervan dat andere personen op de werkvloer of die de werkvloer betreden eveneens beschermd zijn.
- Kinderen en zwangere vrouwen mogen de werkvloer niet betreden.
- Eten, drinken en roken op de werkvloer is niet toegestaan.
- Verwijder stof en ander afval op veilige en verantwoorde wijze.

## Overzicht (fig. A)

1. Aan/uit-schakelaar
2. Ontgrendelingsknop
3. Zaagbladhouder
4. Schoen
5. Klemhendel voor het zaagblad
6. Accu
7. Accu-ontgrendelingsknop
8. Oplader
9. Opladerhouder

## Assemblage

### Aanbrengen en verwijderen van de accu (fig. A)

- ◆ Om de accu (6) aan te brengen, houdt u hem voor de houder in de machine. Schuif de accu in de houder en duw deze aan totdat hij vastklikt.
- ◆ Om de accu te verwijderen, drukt u de ontgrendelingsknop (7) in en trekt u tegelijkertijd de accu uit de houder.

### Bevestigen van het zaagblad (fig. B)

- ◆ Houd het zaagblad goed vast. Indien het zaagblad voorzien is van een beschermkap, laat u deze zitten tijdens het bevestigen van het zaagblad.
- ◆ Trek de klemhendel voor het zaagblad (5) omhoog om het klemmechanisme voor het zaagblad te ontgrendelen.
- ◆ Steek de schacht van het zaagblad zover mogelijk in de zaagbladhouder (3).
- ◆ Duw de klemhendel voor het zaagblad (5) naar beneden om het klemmechanisme voor het zaagblad te vergrendelen.
- ◆ Verwijder de zaagbladbeschermkap, indien aangebracht.

Opmerking: Deze machine is zodanig ontworpen dat de zaagbladen met de tanden naar voren en naar achteren gericht kunnen worden bevestigd.

## Gebruik

### Opladen van de accu (fig. A)

De accu moet worden opgeladen voor het eerste gebruik alsmede zodra hij niet meer genoeg energie levert voor werkzaamheden die eerder moeiteloos konden worden verricht. Als u de accu voor de eerste keer of na langdurige opslag oplaadt, zal deze slechts voor ca. 80% worden opgeladen. Na een aantal laad- en ontlad-cycli wordt de accu echter compleet opgeladen. Tijdens het opladen kan de accu warm aanvoelen. Dit is normaal en duidt niet op een defect.

**Waarschuwing!** Laad de accu niet op bij omgevingstemperaturen onder 4 °C of boven 40 °C. Aanbevolen oplaadtemperatuur: ca. 24 °C.

- ◆ Verwijder de accu (6) uit de machine om hem op te laden.
- ◆ Schuif de opladerhouder (9) op de accu zoals aangegeven.
- ◆ Steek de stekker van de oplader (8) in het stopcontact.

Tijdens het opladen wordt de accu warm. Na ongeveer 3 uur laden is de accu voldoende opgeladen voor normaal gebruik. Na ongeveer 6 uur laden is de accu volledig opgeladen.

- ◆ Verwijder de opladerhouder van de accu.

### Aan- en uitschakelen

- ◆ Om de machine in te schakelen, beweegt u de ontgrendelingsknop (2) naar de ontgrendelde stand en knijpt u de aan/uitschakelaar (1) in.
- ◆ Om de machine uit te schakelen, schakelt u de aan/uitschakelaar (1) uit.

### Zagen (fig. C)

- ◆ Houd de machine altijd met beide handen vast.
- ◆ Laat het zaagblad een paar seconden vrij draaien voordat u een zaagsnede maakt.
- ◆ Oefen alleen een lichte druk uit op de machine tijdens het maken van de zaagsnede.
- ◆ Werk indien mogelijk met de zaagschoen tegen het werkstuk gedrukt. Dit zal de beheersing van de machine verbeteren en de trillingen tijdens gebruik verminderen en ook voorkomen dat het zaagblad beschadigt.

### Tips voor optimaal gebruik

#### Hout schuren

- ◆ Klem het werkstuk stevig vast en verwijder alle spijkers en metalen voorwerpen.
- ◆ Houd de machine met beide handen vast en werk met de zaagschoen tegen het werkstuk aangedrukt.



### Inzetsneden in hout

- ◆ Meet en markeer de gewenste inzetsnede.
- ◆ Monteer een zaagblad dat geschikt is voor het zagen van inzetsneden.
- ◆ Laat de zaagschoen op dusdanige wijze op het werkstuk rusten, dat het zaagblad de juiste hoek maakt voor een inzetsnede.
- ◆ Schakel de machine in en voer het zaagblad langzaam door het werkstuk. Zorg dat de zaagschoen altijd in contact blijft met het werkstuk.

### Zagen van metaal

- ◆ Bedenk dat het zagen van metaal veel meer tijd vraagt dan het zagen van hout.
- ◆ Gebruik een zaagblad dat geschikt is voor het zagen van metaal. Gebruik een fijngetand zaagblad voor ferrometalen en een grover zaagblad voor non-ferrometalen.
- ◆ Voor het zagen van dun plaatmateriaal klemt u een stuk afvalhout tegen de achterkant van het werkstuk en zaagt u door deze "sandwich".
- ◆ Smeer een oliefilm langs de zaagsnede.

### Het zagen van takken

Takken met een diameter tot 25 mm kunnen met deze machine worden gezaagd.

**Waarschuwing!** Gebruik de machine niet als u zich in een boom bevindt, op een ladder, of op enig andere, onstabiele ondergrond. Houd er rekening mee waar de tak zal vallen.

- ◆ Zaag naar beneden en van uw lichaam af.
- ◆ Maak de zaagsnede dicht bij de hoofdtak of de stam.

### Het maken van verticale zaagsneden

Met deze machine is het mogelijk om dicht bij hoeken en andere moeilijk bereikbare plaatsen te zagen.

- ◆ Steek de schacht van het zaagblad in de zaagbladhouder met de zaagtanden naar boven.
- ◆ Houd de machine met de zaagschoen naar beneden, zodat u zo dicht als mogelijk bij het werkoppervlak bent.
- ◆ Zaag naar voren en van uw lichaam af.

### Accessoires

De prestaties van uw machine hangen af van welke accessoire u gebruikt. Black & Decker en Piranha accessoires zijn ontwikkeld om te voldoen aan hoge kwaliteitseisen en ontworpen om de prestaties van uw machine te verbeteren. Met behulp van deze accessoires haalt u het beste uit uw machine.

## ONDERHOUD

Uw Black & Decker machine is ontworpen om gedurende langere periode te functioneren met een minimum aan onderhoud. Voortdurend tevreden gebruik is afhankelijk van correct onderhoud en regelmatig schoonmaken.

Uw oplader heeft geen ander onderhoud dan een regelmatig reiniging.

- ◆ **Waarschuwing!** Verwijder de accu van de machine alvorens onderhoudswerkzaamheden uit te voeren.
- ◆ **Waarschuwing!** Koppel voor het reinigen van de oplader de netstekker los van het lichtnet.
- ◆ Reinig regelmatig de ventilatieopeningen in de machine met behulp van een zachte borstel of een droge doek.
- ◆ Reinig regelmatig de behuizing van de motor met behulp van een vochtige doek. Gebruik geen schuur- of oplosmiddel.
- ◆ Controleer regelmatig of er zaagsel aan de zaagbladhouder zit. Gebruik een zachte borstel of perslucht om de zaagbladhouder te reinigen

## MILIEU

### Machines



Black & Decker biedt de mogelijkheid tot recyclen van afgedankte Black & Decker producten en accu's. Deze service is kosteloos. Om gebruik van deze service te maken, dient u het product aan een van onze servicecentra te sturen, die voor ons de inzameling verzorgen.

### Accu's



Black & Decker accu's kunnen vele malen opnieuw worden opgeladen. Versleten accu's dienen op milieubewuste wijze te worden verwijderd:

- ◆ Gebruik de energie van de accu helemaal op en verwijder hem dan van de machine.
- ◆ NiCd- en NiMH-accu's zijn te recyclen. Breng ze naar een servicecentrum of naar een plaatselijk verwerkingscentrum voor klein chemisch afval.

U kunt het adres van het dichtstbijzijnde servicecentrum opvragen via de adressen op de achterzijde van deze handleiding. U kunt ook een lijst van onze servicecentra en meer informatie m.b.t. onze klantenservice vinden op het volgende Internet-adres: [www.2helpU.com](http://www.2helpU.com).

### Technische gegevens

	KS1880S	
Spanning	$V_{DC}$	18
Aantal zaagbewegingen	$\text{min}^{-1}$	0 - 3.000
Slaglenkte	mm	22
Max. zaagdiepte	mm	
Hout		76
Staal		5
Aluminium		5
Shoeien	$\emptyset$	76
Cat. nr. accu		A18
Gewicht	kg	2,9

### Oplader

Netspanning	$V_{AC}$	230
Gemiddelde oplaadtijd	h	3

### EG-verklaring van overeenstemming

Black & Decker verklaart dat deze machines in overeenstemming zijn met:

98/37/EEG, 89/336/EEG, 73/23/EEG, EN 55014, EN 50260, EN 61000

$L_{pA}$  (geluidsdruk): 83 dB(A),  $L_{WA}$  (geluidsvermogen) 94 dB(A),  
gewogen kwadratische gemiddelde waarde van de versnelling  
8,35  $\text{m/s}^2$



Colin Wills  
Director of Engineering  
BDCI, 4/F, 2 Dai Wang Street  
Tai Po Industrial Estate  
Tai Po NT, Hong Kong

### Garantie

Black & Decker heeft vertrouwen in zijn producten en biedt een uitstekende garantie. Deze garantiebepalingen vormen een aanvulling op uw wettelijke rechten en beperken deze niet. De garantie geldt in de lidstaten van de Europese Unie en de Europese Vrijhandelsassociatie.

Mocht uw Black & Decker product binnen 24 maanden na datum van aankoop defect raken tengevolge van materiaal- of constructiefouten, dan garanderen wij de kosteloze vervanging van defecte onderdelen, de reparatie van het product of de vervanging van het product, tenzij:

- ◆ Het product is gebruikt voor handelsdoeleinden, professionele toepassingen of verhuurdoeleinden;
- ◆ Het product onoordeelkundig is gebruikt;
- ◆ Het product is beschadigd door invloeden van buitenaf of door een ongeval;
- ◆ Reparaties zijn uitgevoerd door anderen dan onze servicecentra of Black & Decker personeel.

Om een beroep op de garantie te doen, dient u een aankoopbewijs te overhandigen aan de verkoper of een van onze servicecentra. U kunt het adres van het dichtstbijzijnde servicecentrum opvragen via de adressen op de achterzijde van deze handleiding. U kunt ook een lijst van onze servicecentra en meer informatie m.b.t. onze klantenservice vinden op het volgende Internet-adres: **www.2helpU.com**.

## Uso previsto

Su sierra Black & Decker ha sido diseñada para serrar madera, productos de madera, metal y materiales yesosos. Esta herramienta está pensada únicamente para uso doméstico.

Su cargador Black & Decker está diseñado para cargar baterías Black & Decker del tipo suministrado con la herramienta.

## Instrucciones de seguridad

- ◆ **¡Atención!** Cuando use herramientas alimentadas por batería, debe adoptar siempre las precauciones de seguridad básicas, incluidas las siguientes, a fin de reducir el riesgo de incendio, pérdida del líquido de las baterías, lesiones personales y daños materiales.
- ◆ Lea completamente este manual antes de utilizar la herramienta.
- ◆ Mantenga a mano este manual para consultas posteriores.

### Mantenga limpia el área de trabajo

Un área o un banco de trabajo en desorden aumentan el riesgo de accidentes.

### Tenga en cuenta el entorno del área de trabajo

No exponga herramientas a la humedad.

Procure que el área de trabajo esté bien iluminada. No utilice la herramienta donde exista riesgo de incendio o explosión, p. ej. en la proximidad de líquidos o gases inflamables.

### ¡Mantenga alejados a los niños!

No permita que niños, otras personas o animales se acerquen al área de trabajo o toquen la herramienta.

### Vista ropa de trabajo apropiada

No lleve vestidos anchos ni joyas. Estos podrían ser atrapados por piezas en movimiento. Para trabajos en el exterior, se recomienda llevar guantes de goma y calzado de suela antideslizante. Si tiene el pelo largo, téngalo recogido y cubierto.

### Protección personal

Lleve gafas de protección. Utilice una mascarilla si el trabajo ejecutado produce polvo u otras partículas volantes.

Lleve protectores para los oídos cuando el ruido pueda resultar molesto.

### No alargue demasiado su radio de acción

Mantenga un apoyo firme sobre el suelo y conserve el equilibrio en todo momento.

### Esté siempre alerta

Mire lo que está haciendo. Use el sentido común. No maneje la herramienta cuando está cansado.

### Sujete bien la pieza de trabajo

Utilice abrazaderas o un torno para sujetar la pieza de trabajo. Es más seguro que sujetarla con la mano y le permite utilizar ambas manos para manejar la herramienta.

## Conecte los accesorios para la extracción de polvo.

Si se suministran adaptadores para la conexión de accesorios extractores y para el almacenamiento del polvo, asegúrese de que se conectan y utilizan adecuadamente.

### Retire las llaves de maniobra

Antes de poner la herramienta en marcha, asegúrese de que las llaves y utensilios de reglaje hayan sido retirados.

### Utilice la herramienta adecuada

En este manual se explica para qué uso está destinada la herramienta. No utilice herramientas o dispositivos acoplables de potencia demasiado débil para ejecutar trabajos pesados.

La herramienta funcionará mejor y con mayor seguridad al ser utilizada de acuerdo con sus características técnicas.

No fuerce la herramienta.

**¡Atención!** El uso de otros accesorios, adaptadores, o la propia utilización de la herramienta en cualquier forma diferente de las recomendadas en este manual de instrucciones puede constituir un riesgo de lesiones a las personas.

### Compruebe que no haya piezas averiadas

Antes de usarla, compruebe cuidadosamente que la herramienta no esté estropeada. Compruebe la posible existencia de piezas móviles mal alineadas o atascadas, la rotura de piezas, el posible daño de protectores e interruptores y cualquier otro aspecto que pueda afectar al funcionamiento de la herramienta. Asegúrese de que la herramienta puede funcionar adecuadamente y cumplir con el cometido para el que ha sido diseñada. No use la herramienta si hay alguna pieza defectuosa o averiada. No utilice la herramienta si no es posible apagar y encender el interruptor. Encargue al servicio técnico autorizado que repare o sustituya las piezas defectuosas o averiadas. Jamás intente repararla usted mismo.

### Extracción de la batería

Extraiga la batería cuando no esté usando la herramienta, antes de sustituir piezas, accesorios o acoplamientos, y antes de efectuar revisiones.

### Evite un arranque involuntario

Procure no tocar el conmutador de encendido/apagado mientras transporta la herramienta. Compruebe que la herramienta está desconectada antes de proceder a colocar la batería en la herramienta.

### Cuide el cable de alimentación

No lleve la herramienta por el cable, ni tire del cable para desenchufar la herramienta. Proteja el cable del calor, del aceite y de las aristas vivas.

### Guarde las herramientas que no utiliza

Las herramientas, cargadores y baterías que no se utilizan, deben estar protegidos en un lugar seco y cerrado o elevado, fuera del alcance de los niños.

### Mantenga las herramientas asiduamente

Mantenga sus herramientas afiladas y limpias para trabajar mejor y más seguro.

Siga las instrucciones para el mantenimiento y la sustitución de accesorios. Mantenga los mandos y conmutadores secos, limpios y libres de aceite y grasa.

## Reparaciones

Esta herramienta cumple las normas de seguridad aplicables. Las reparaciones deben llevarse a cabo por personal cualificado, usando piezas de recambio originales; en caso contrario, podría ocasionarse un considerable riesgo para el usuario.

## Instrucciones de seguridad adicionales para baterías y cargadores

### Baterías

- ◆ Nunca intente abrirlas por ningún motivo.
- ◆ No las exponga al agua.
- ◆ No las almacene en lugares donde la temperatura pueda exceder los 40 °C.
- ◆ Cargue las baterías únicamente a temperaturas entre 4 °C y 40 °C.
- ◆ Use únicamente el cargador suministrado para cargar la herramienta (consulte las características técnicas).
- ◆ Antes de cargarla, compruebe que la batería está seca y limpia.
- ◆ Use el tipo de batería correcto para la herramienta (consulte las características técnicas).
- ◆ Cuando deseche las baterías, siga las instrucciones reseñadas en la sección "Medio ambiente".
- ◆ Bajo condiciones extremas, la batería podría perder líquido. Si observa que la batería ha perdido líquido, proceda del modo siguiente:
  - Limpie cuidadosamente el líquido con un paño. Evite el contacto con la piel.
  - En caso de producirse contacto con la piel o los ojos, siga estas instrucciones.

**¡Atención!** El líquido una solución de un 25-30% de hidróxido de potasio, puede resultar nocivo. En caso de que entre en contacto con la piel, lávese inmediatamente con agua. Neutralícelo con un ácido suave como zumo de limón o vinagre. En caso de que entre en contacto con los ojos, láveselos con agua limpia abundante durante al menos 10 minutos. Consulte a un médico.



¡Peligro de incendio! Evite que se produzcan cortocircuitos metálicos en los contactos de una batería suelta (por ejemplo, no lleve llaves en el mismo bolsillo que una batería).



No arroje la batería al fuego.



No cargar baterías en mal estado.

### Cargadores

- ◆ Use el cargador Black & Decker únicamente para cargar baterías del tipo suministrado. Otras baterías podrían estallar, causando daños y lesiones personales.
- ◆ No intente nunca cargar baterías no-recargables.
- ◆ Sustituya inmediatamente los cables defectuosos.
- ◆ No exponga el cargador al agua.
- ◆ No abra el cargador.
- ◆ No manipule el cargador.



Para uso exclusivo en interiores.

## SEGURIDAD ELÉCTRICA

El cargador ha sido diseñado para un solo voltaje. Compruebe siempre que el voltaje de la red corresponde al valor indicado en la placa de características.



Su cargador tiene doble aislamiento, conforme a la norma EN 60335; por consiguiente, no se requiere conexión a tierra.

**¡Atención!** No intente nunca sustituir el cargador por un enchufe normal a la red.

### Normas de seguridad adicionales para sierras de mano

- ◆ Use siempre el tipo de hoja de sierra adecuado al material de la pieza de trabajo y al tipo de corte.
- ◆ Use únicamente hojas de sierra en buenas condiciones.
- ◆ Desconecte siempre la herramienta y espere que la hoja de sierra se pare totalmente antes de soltar la herramienta.
- ◆ Mantenga las manos alejadas de la hoja de sierra mientras trabaja.
- ◆ No toque la hoja de sierra inmediatamente después de su uso, ya que puede estar muy caliente.
- ◆ No intente serrar piezas demasiado pequeñas.
- ◆ Antes de serrar en paredes o suelos, tenga en cuenta la posición de las tuberías y cables ocultos.
- ◆ No encienda nunca la herramienta si la hoja de sierra está atascada en la pieza de trabajo o si está en contacto con el material.
- ◆ No ejerza presión lateral sobre la hoja de sierra.
- ◆ Sujete la herramienta con las dos manos en cualquier circunstancia.
- ◆ No use la herramienta mientras se encuentre en un árbol, o una escalera o cualquier otra superficie inestable.
- ◆ Cuando corte ramas, tenga cuidado de dónde van a caer.
- ◆ Extreme las precauciones cuando sierre madera o metal que puedan producir polvo tóxico:

- Utilice una mascarilla contra el polvo diseñada específicamente para proteger contra el polvo y las emanaciones tóxicas, y asegúrese de que las demás personas que se encuentren dentro de, o que penetren en el área de trabajo también estén protegidas.
- No permita la entrada de niños ni de mujeres embarazadas al área de trabajo.
- No ingiera alimentos ni bebidas, ni fume en el área de trabajo.
- Deshágase de las partículas de polvo y demás residuos de un modo seguro.

### Vista General (fig. A)

1. Conmutador ON/OFF (encendido/apagado)
2. Botón de desbloqueo
3. Portahoja
4. Soporte
5. Palanca de sujeción de hoja
6. Batería
7. Botón liberador de batería
8. Cargador
9. Alojamiento del cargador

### Montaje

#### Colocación y retirada de la batería (fig. A)

- ◆ Para introducir la batería (6), colóquela en línea con el alojamiento de la herramienta. Deslice la batería en el alojamiento y empújela hasta que encaje en su sitio.
- ◆ Para retirar la batería, presione el botón de liberación (7) simultáneamente mientras extrae la batería de su alojamiento.

#### Colocación de la hoja de sierra (fig. B)

- ◆ Sujete la hoja de sierra firmemente. Si la hoja de sierra lleva un protector de dientes, déjelo puesto mientras coloca la hoja.
- ◆ Tire de la palanca de sujeción de hoja (5) hacia arriba para liberar el mecanismo de sujeción de hoja.
- ◆ Inserte la espiga de la hoja de sierra dentro del portacuchillas (3) todo lo que vaya.
- ◆ Mueva la palanca de sujeción de hoja (5) hacia abajo para bloquear el mecanismo de sujeción de hoja.
- ◆ Retire el protector de dientes, si está colocado.

Nota: Esta herramienta está diseñada para que los dientes de las hojas de sierra se puedan colocar mirando hacia delante o hacia atrás.

### Uso

#### Carga de la batería (fig. A)

La batería debe cargarse antes de usarla por primera vez y siempre que no obtenga la suficiente potencia en trabajos que antes efectuaba con facilidad. Cuando cargue la batería por primera vez, o después de un prolongado almacenaje, sólo obtendrá una carga del 80%. Después de varios ciclos de carga y descarga, la batería alcanzará su capacidad máxima. Durante la carga, la batería podría calentarse; esto es normal y no indica ningún problema.

**¡Atención!** No cargue la batería a una temperatura ambiente inferior a 4 °C o superior a 40 °C. Temperatura recomendada de carga: aprox. 24 °C.

- ◆ Para cargar la batería (6), retírela de la herramienta:
- ◆ Deslice el receptáculo del cargador (9) sobre la batería tal y como se muestra.
- ◆ Enchufe el cargador (8).

La batería se calienta mientras se está cargando. Al cabo de unas 3 horas de carga, la batería estará lo suficientemente cargada para su uso en aplicaciones normales. Después de aproximadamente 6 horas de carga, la batería estará totalmente cargada.

- ◆ Extraiga el receptáculo del cargador de la batería .

#### Encendido y apagado

- ◆ Para poner en marcha la herramienta, sitúe el botón de desbloqueo (2) en la posición de desbloqueo y presione el conmutador de encendido/apagado (1).
- ◆ Para parar la herramienta, suelte el interruptor on/off (encendido/apagado).

#### Aserrado (fig. C)

- ◆ Sujete la herramienta con las dos manos en cualquier circunstancia.
- ◆ Deje la hoja en marcha libremente durante unos segundos antes de iniciar el corte.
- ◆ Aplique sólo una presión suave a la herramienta mientras realiza el corte.
- ◆ Si es posible, trabaje con el soporte presionado contra la pieza de trabajo. Esto mejorará el control de la herramienta y reducirá la vibración de la herramienta, además de evitar daños en la hoja.

#### Consejos para un uso óptimo

##### Serrado de madera

- ◆ Inmovilice la pieza de trabajo de forma segura y retire todos los clavos y objetos metálicos.

- ◆ Sujutando la herramienta con ambas manos, trabaje con el soporte presionado contra la pieza de trabajo.

## Corte de cavidades en madera

- ◆ Mida y marque el corte de la cavidad necesaria.
- ◆ Instale una hoja de sierra adecuada para el corte de cavidades.
- ◆ Apoye el soporte en la pieza de trabajo en tal posición que la hoja forme el ángulo apropiado para el corte de la cavidad.
- ◆ Encienda la herramienta e introduzca despacio la hoja en la pieza de trabajo. Asegúrese de que el soporte se mantenga en contacto con la pieza de trabajo en todo momento.

## Serrado de metal

- ◆ Tenga en cuenta que serrar metal lleva mucho más tiempo que serrar madera.
- ◆ Use una hoja de sierra adecuada para serrar metal. Use una hoja de sierra de dientes finos para metales ferrosos y una hoja más gruesa para metales no ferrosos.
- ◆ Cuando corte chapa fina, sujete una pieza de madera de recorte a la superficie posterior de la pieza de trabajo y corte a través de este bocadillo.
- ◆ Extienda una capa de aceite a lo largo de la línea de corte prevista.

## Corte de ramas

Con esta herramienta se pueden cortar ramas de hasta 25 mm de diámetro.

**¡Atención!** No use la herramienta mientras se encuentre en un árbol, o una escalera o cualquier otra superficie inestable. Tenga cuidado de dónde van a caer las ramas.

- ◆ Corte hacia abajo y hacia el lado contrario a su cuerpo.
- ◆ Realice el corte cerca del cuerpo del árbol o de la rama principal.

## Corte vertical

La herramienta permite cortar cerca de las esquinas y en otros lugares difíciles.

- ◆ Introduzca la espiga de la hoja de sierra en el portahoja con los dientes de la hoja hacia arriba.
- ◆ Sujete la herramienta con el soporte hacia abajo para poder situarse lo más cerca posible de la superficie de trabajo.
- ◆ Corte hacia delante y hacia el lado contrario a su cuerpo.

## Accesorios

El rendimiento de la herramienta dependerá del accesorio utilizado. Los accesorios de Black & Decker y Piranha están fabricados según las más altas normas de calidad para ampliar el rendimiento de la herramienta.

Utilizando estos accesorios, logrará aprovechar al máximo la herramienta.

## MANTENIMIENTO

Su herramienta Black & Decker está diseñada para funcionar durante un largo período de tiempo con un mantenimiento mínimo. El funcionamiento satisfactorio continuado depende de un cuidado apropiado y una limpieza periódica de la herramienta.

Su cargador no requiere ningún mantenimiento aparte de una limpieza periódica.

- ◆ **¡Atención!** Antes de efectuar cualquier mantenimiento en la herramienta, retire la batería de la herramienta.
- ◆ **¡Atención!** Desenchufe el cargador antes de limpiarlo.
- ◆ Limpie periódicamente las ranuras de ventilación de la herramienta con un cepillo suave o con un paño seco.
- ◆ Limpie periódicamente la carcasa del motor con un paño húmedo. No use limpiadores que contengan ingredientes abrasivos o disolventes.
- ◆ Compruebe con regularidad si hay polvo de la sierra pegado al portahoja. Utilice un cepillo suave o aire a baja presión para limpiar el portahoja.

## PROTECCIÓN DEL MEDIO AMBIENTE

### Herramientas



Black & Decker proporciona facilidades para el reciclado de los productos Black & Decker que hayan llegado al final de su vida útil. Este servicio se proporciona de forma gratuita. Para poderlo utilizar, le rogamos entregue el producto en cualquier servicio técnico autorizado quien se hará cargo del mismo en nuestro nombre.

### Baterías



Las baterías Black & Decker pueden recargarse muchas veces. Al final de su vida útil, deseche las baterías con el debido cuidado con el entorno:

- ◆ Descargue totalmente la batería, luego retírela de la herramienta.
- ◆ Las baterías NiCd y las baterías NiMH son reciclables. Entregue las baterías al servicio postventa Black & Decker o deposítelas en un punto local de reciclado.

Pueden consultar la dirección de su servicio técnico más cercano poniéndose en contacto con la oficina local de Black & Decker en la dirección que se indica en este manual. Como alternativa, se puede consultar en Internet, en la dirección siguiente, la lista de servicios técnico autorizados e información completa de nuestros servicios de postventa y contactos: [www.2helpU.com](http://www.2helpU.com).

**Características técnicas**

	<b>KS1880S</b>	
Voltaje	V <sub>DC</sub>	18
Número de carreras	min <sup>-1</sup>	0 - 3.000
Longitud de carrera	mm	22
Profundidad máxima de corte	mm	
Madera		76
Acero		5
Aluminio		5
Poda	∅	76
Cat. no. batería		A18
Peso	kg	2,9

**Cargador**

Tensión de la red	V <sub>AC</sub>	230
Tiempo aproximado de carga	h	3

**Declaración CE de conformidad**

Black & Decker certifica que estas herramientas han sido construidas de acuerdo a las normas siguientes:  
 98/37/CEE, 89/336/CEE, 73/23/CEE, EN 55014, EN 50260,  
 EN 61000

L<sub>PA</sub> (presión acústica): 83 dB(A), L<sub>WA</sub> (potencia acústica) 94 dB(A), valor cuadrático medio ponderado en frecuencia de la aceleración 8,35 m/s<sup>2</sup>



Colin Wills  
 Director of Engineering  
 BDCL, 4/F, 2 Dai Wang Street  
 Tai Po Industrial Estate  
 Tai Po NT, Hong Kong

Si un producto Black & Decker resultará defectuoso debido a materiales o mano de obra defectuosos o a la falta de conformidad, Black & Decker garantiza, dentro de los 24 meses de la fecha de compra, la sustitución de las piezas defectuosas, la reparación de los productos sujetos a un desgaste y rotura razonables o la sustitución de tales productos para garantizar al cliente el mínimo de inconvenientes, a menos que:

- ◆ El producto haya sido utilizado con propósitos comerciales, profesionales o de alquiler;
- ◆ El producto haya sido sometido a un uso inadecuado o negligente;
- ◆ El producto haya sufrido daños causados por objetos o sustancias extrañas o accidentes;
- ◆ Se hayan realizado reparaciones por parte de personas que no sean los servicios de reparación autorizados o personal de servicios de Black & Decker;

Para reclamar en garantía, será necesario que presente la prueba de compra al vendedor o al servicio técnico de reparaciones autorizado. Pueden consultar la dirección de su servicio técnico más cercano poniéndose en contacto con la oficina local de Black & Decker en la dirección que se indica en este manual. Como alternativa, se puede consultar en Internet, en la dirección siguiente, la lista de servicios técnicos autorizados e información completa de nuestros servicios de postventa y contactos: [www.2helpU.com](http://www.2helpU.com).

**Garantía**

Black & Decker confía plenamente en la calidad de sus productos y ofrece una garantía extraordinaria. Esta declaración de garantía es una añadido, y en ningún caso un perjuicio para sus derechos estatutarios. La garantía es válida dentro de los territorios de los Estados Miembros de la Unión Europea y de los de la Zona Europea de Libre Comercio.

## Utilização

A sua serra Black & Decker foi projectada para serrar madeira, produtos de madeira e metal.

Esta ferramenta destina-se apenas ao doméstico.

O seu carregador Black & Decker foi desenhado para carregar as baterias Black & Decker do tipo fornecido com esta ferramenta.

## Instruções de segurança

- ◆ **Aviso!** Ao utilizar ferramentas alimentadas por bateria, é preciso seguir sempre as precauções básicas de segurança, incluindo as detalhadas a seguir, para diminuir os riscos de incêndio, corrosão das baterias, ferimentos pessoais e danos materiais.
- ◆ Leia atentamente este manual antes de utilizar a ferramenta.
- ◆ Guarde este manual para futura referência.

### Mantenha a área de trabalho arrumada

As mesas e áreas de trabalho desarrumadas podem provocar ferimentos.

### Cuide do ambiente da área de trabalho

Não exponha a ferramenta à chuva. Não utilize a ferramenta em situações onde haja humidade ou água. Mantenha a área de trabalho bem iluminada. Não utilize a ferramenta onde haja risco de fogo ou explosão, p.ex. em presença de líquidos ou gases inflamáveis.

### Mantenha as crianças afastadas

Não permita que crianças, visitantes ou animais cheguem perto da área de trabalho ou toquem na ferramenta.

### Vista-se de maneira apropriada

Não use vestuário largo nem jóias porque podem prender-se numa peça móvel. Quando se trabalha no exterior, é de aconselhar o uso de luvas de borracha e de calçado antiderrapante. Cubra o cabelo se tiver cabelo comprido.

### Protecção pessoal

Utilize óculos de protecção. Utilize óculos de protecção e uma máscara de rosto ou poeira sempre que as operações possam produzir poeira ou partículas que voem. Utilize protector de ouvidos sempre que o nível de ruído pareça ser incómodo.

### Verifique a sua posição

Mantenha sempre o equilíbrio.

### Esteja atento

Dê atenção ao que vai fazendo. Trabalhe com precaução. Não utilize ferramentas quando estiver cansado.

### Segure firmemente as peças a trabalhar

Utilize grampos ou um torno para segurar as peças de trabalho. É mais seguro e permite manter as duas mãos livres para trabalhar.

### Conecte o equipamento de extracção de pó

Caso sejam fornecidos os dispositivos para a conexão de extracção e colecta de pó, assegure-se de que os mesmos sejam correctamente conectados e utilizados.

### Tire as chaves de aperto

Verifique sempre se as chaves de aperto foram retiradas da ferramenta antes de a utilizar.

### Utilize a ferramenta apropriada

Neste manual indicam-se as aplicações da ferramenta. Não force pequenas ferramentas ou acessórios para fazer o trabalho numa ferramenta forte. A ferramenta trabalhará melhor e de uma maneira mais segura se for utilizada para o efeito indicado. Não force a ferramenta. **Aviso!** O uso de qualquer acessório ou da própria ferramenta, além do que é recomendado neste manual de instruções pode dar origem a risco de ferimento.

### Verifique se há peças danificadas

Antes do uso, verifique cuidadosamente se a ferramenta está danificada. Verifique o tamanho das peças móveis e se as mesmas estão alinhadas; verifique se há alguma peça partida, se as protecções e os interruptores estão danificados, bem como quaisquer outras condições que possam afectar o funcionamento da ferramenta. Assegure-se de que a ferramenta funciona correctamente e de que está a desempenhar as funções para as quais foi projectada. Não utilize a ferramenta se houver alguma peça defeituosa. Não utilize a ferramenta se o interruptor não estiver a funcionar para ligar ou desligar. Qualquer peça defeituosa deve ser reparada ou substituída por um técnico autorizado. Nunca tente efectuar qualquer reparação por sua conta.

### Remova a bateria

Remova a bateria quando a ferramenta não estiver em uso, antes de trocar qualquer peça da ferramenta, acessórios ou anexos e antes de enviar ao serviço técnico.

### Evite ligar sem intenção

Não transporte a ferramenta com um dedo sobre o interruptor liga/desliga. Certifique-se de que a ferramenta está desligada quando for inserir a bateria.

### Não force o cabo eléctrico

Nunca transporte a ferramenta pelo cabo e não puxe pelo cabo para tirar a ficha da tomada. Proteja o cabo contra o calor e evite o contacto com óleo e objectos cortantes.

### Guarde as ferramentas que não estiverem a ser utilizadas

Quando não estiverem em uso, as ferramentas e baterias devem ser armazenadas num local seco, fora do alcance de crianças.

### Cuide das suas ferramentas com atenção

Mantenha as ferramentas cortantes afiadas e limpas para um melhor e mais seguro desempenho. Siga as instruções para a manutenção e a troca de acessórios. Mantenha os punhos e os interruptores secos, limpos e isentos de óleo e gordura.

### Reparos

Esta ferramenta cumpre os requisitos de segurança pertinentes. As reparações devem ser realizadas somente por pessoas qualificadas e as peças de reposição devem ser originais.



A não observância disso poderá resultar em perigos consideráveis para os utilizadores.

### Instruções adicionais de segurança para baterias e carregadores

#### Baterias

- ◆ Nunca tente abrir seja qual for a razão.
- ◆ Não exponha à água.
- ◆ Não armazene em locais onde a temperatura possa exceder 40 °C.
- ◆ Carregue somente à temperatura ambiente entre 4 °C e 40 °C.
- ◆ Carregue somente utilizando o carregador fornecido com a ferramenta (veja os dados técnicos).
- ◆ Antes de carregar, certifique-se de que a bateria esteja seca e limpa.
- ◆ Utilize somente o tipo correcto de bateria para a ferramenta (veja os dados técnicos).
- ◆ Quando se desfizer das baterias, siga as instruções dadas na secção "Ambiente".
- ◆ Sob condições extremas, pode ocorrer vazamento de bateria. Quando notar que há líquido na bateria, proceda da seguinte maneira:
  - Limpe o líquido cuidadosamente utilizando um pano. Evite o contacto com a pele.
  - Em caso de contacto com a pele ou com os olhos, siga as instruções abaixo.

**Aviso!** O líquido da bateria, uma 25-30% solução de hidróxido de potássio, pode ser nocivo. Em caso de contacto com a pele, lave imediatamente com água. Neutralize com um ácido suave, como sumo de limão ou vinagre. Em caso de contacto com os olhos, enxague abundantemente com água limpa durante 10 minutos. Consulte um médico.



Perigo de incêndio! Evite curto-circuito metálico nos contactos de uma bateria (p.e. chaves de porcas na mesma caixa que a bateria).



Não queime a bateria.



Não carregue baterias danificadas.

#### Carregadores

- ◆ Utilize seu carregador Black & Decker somente para carregar as baterias do tipo fornecido com sua ferramenta. Outras baterias poderiam explodir causando danos pessoais e estragos.
- ◆ Nunca tente carregar baterias não recarregáveis.

- ◆ Substitua os cabos defeituosos imediatamente.
- ◆ Não exponha à água.
- ◆ Não abra o carregador.
- ◆ Não submeta o carregador a testes electrónicos.



Concebido somente para uso em interior.

### SEGURANÇA ELÉCTRICA

Assegure-se de que a voltagem do seu carregador corresponde com a rede de energia.



O seu carregador tem duplo isolamento em conformidade com o estipulado na norma EN 60335, não sendo, por isso, necessária uma ligação à terra.

**Aviso!** Nunca tente substituir o carregador por uma tomada de energia normal.

### Instruções de segurança adicionais para serras portáteis

- ◆ Utilize sempre o tipo de lâmina apropriado para o material da peça de trabalho e para o tipo de corte.
- ◆ Utilize somente lâminas em perfeitas condições.
- ◆ Desligue sempre a ferramenta e espere que a lâmina pare por completo antes de largar a ferramenta.
- ◆ Mantenha suas mãos bem afastadas da lâmina enquanto estiver a trabalhar.
- ◆ Não toque na lâmina logo após a sua paragem pois esta pode estar quente.
- ◆ Não tente serrar peças demasiado pequenas.
- ◆ Antes de serrar em paredes ou chãos, tenha atenção à localização de tubos e fios embutidos.
- ◆ Nunca ligue a ferramenta quando a lâmina estiver encravada na peça de trabalho ou se estiver com o material.
- ◆ Não exerça demasiada pressão sobre a lâmina.
- ◆ Sempre segure a ferramenta com as duas mãos.
- ◆ Não utilize a ferramenta enquanto estiver em cima de uma árvore, numa escada ou em qualquer superfície instável.
- ◆ Ao cortar ramos, tenha em atenção ao local onde irão cair.
- ◆ Tenha especial atenção aquando do corte de madeiras e metais pois pode produzir pó tóxico:
  - Utilize uma máscara para poeiras especificamente desenhada para protecção contra poeiras e vapores de pintura com chumbo e assegure-se de que as pessoas que estão na área de trabalho ou que entrem nesta também estão protegidas.
  - Não permita que crianças ou mulheres grávidas entrem na área de trabalho.
  - Não coma, beba ou fume na área de trabalho.
  - Jogue fora as partículas de poeira e os detritos de maneira segura.

## Visão geral (fig. A)

1. Interruptor
2. Botão de travamento
3. Suporte da lâmina
4. Base
5. Alavanca da libertação da lâmina
6. Bateria
7. Botão de libertação da bateria
8. Carregador
9. Receptáculo do carregador

## Montagem

### Colocação e remoção da bateria

- ◆ Para colocar a bateria (6), alinhe-a com o receptáculo na ferramenta. Deslize a bateria no receptáculo e empurre-a até que ela encaixe no lugar.
- ◆ Para removê-la, prima os dois botões de fixação (7) e puxe a bateria para fora do receptáculo.

### Montagem da lâmina (fig. B)

- ◆ Segure com firmeza na lâmina. Se a lâmina tiver um protector de dentes, não o retire enquanto não terminar de a colocar.
- ◆ Puxe a alavanca da de libertação da lâmina (5) para cima para libertar o mecanismo de fixação da lâmina.
- ◆ Empurre o mais que puder a haste da lâmina no apoio da lâmina (3).
- ◆ Volte a colocar a alavanca de libertação da lâmina (5) no lugar para bloquear o mecanismo de fixação da lâmina.
- ◆ Remova o protector de dentes, se colocado.

Nota: Esta ferramenta foi concebida para permitir que as lâminas de serra apresentem dentes virados para a frente ou para trás.

## Utilização

### Carregar a bateria (fig. A)

A bateria precisa ser carregada antes da primeira utilização e sempre que falhe em produzir potência suficiente para realizar trabalhos que antes eram facilmente realizados. Quando estiver a carregar a bateria pela primeira vez, ou após armazenamento prolongado, ela aceitará somente 80% da carga. Após vários ciclos de carga e descarga, a bateria atingirá sua capacidade total. A bateria pode ficar quente enquanto estiver a carregar; isto é normal e não indica um problema.

**Aviso!** Não carregue a bateria às temperaturas ambientes inferiores a 4 °C ou superiores a 40 °C. A temperatura recomendada para carregar é de aproximadamente 24 °C.

- ◆ Para carregar a bateria (6), retire-a da ferramenta.
- ◆ Coloque o receptáculo do carregador (9) na bateria conforme o mostrado.
- ◆ Ligue o carregador (8).

A bateria se aquece durante o processo de carga. Após 3 horas de carregamento, a bateria deverá estar recarregada e pronta a utilizar nas suas aplicações regulares. Após aproximadamente 6 horas de carga, a bateria estará completa.

- ◆ Retire a bateria do receptáculo do carregador da bateria.

### Como ligar e desligar a ferramenta

- ◆ Para ligar a ferramenta, carregue no botão de bloqueio (2) para a posição de desbloqueado e faça pressão sobre o interruptor de ligar/desligar (1).
- ◆ Para desligar a ferramenta, solte o interruptor.

### Serrar (fig. C)

- ◆ Segure sempre a ferramenta com as duas mãos.
- ◆ Deixe a lâmina funcionar livremente durante alguns segundos antes de iniciar o corte.
- ◆ Aplique apenas uma leve pressão à ferramenta enquanto efectua o corte.
- ◆ Se possível, trabalhe com a base a exercer pressão contra a peça de trabalho. Isto melhora o controlo da ferramenta e reduz a vibração da mesma, assim como evita danificar a lâmina.

### Sugestões para uma melhor utilização

#### Serrar madeira

- ◆ Prenda a peça de trabalho e remova todos os pregos e objectos metálicos.
- ◆ Segurando na ferramenta com ambas as mãos, trabalhe com a base a exercer pressão contra a peça de trabalho.

#### Corte em mergulho na madeira

- ◆ Meça e marque o corte em mergulho desejado.
- ◆ Coloque uma lâmina adequada ao corte em mergulho.
- ◆ Assente a sapata na peça de trabalho numa posição que permita à lâmina formar um ângulo apropriado para o corte em mergulho.
- ◆ Ligue a ferramenta e coloque lentamente a lâmina na peça de trabalho. Certifique-se de que a base permanece em contacto com a peça de trabalho.

#### Serrar metal

- ◆ Não se esqueça que serrar metal demora mais tempo do que serrar madeira.
- ◆ Utilize uma lâmina adequada para serrar metal. Utilize uma lâmina com dentes finos para metais ferrosos e uma lâmina de dentes grossos para metais não ferrosos.

- ◆ Sempre que cortar folhas metálicas finas, encaixe um bocado de madeira partida em ambos os lados da peça de trabalho e serre por entre esta sanduíche.
- ◆ Espalhe uma camada fina de óleo ao longo da linha de corte.

### Corte de ramos

Podem ser cortados ramos até 25 mm de diâmetro com esta ferramenta.

**Advertência!** Não utilize a ferramenta enquanto estiver em cima de uma árvore, numa escada ou em qualquer superfície instável. Tenha em atenção à queda dos ramos.

- ◆ Corte de cima para baixo e longe do corpo.
- ◆ Efectue o corte perto do ramo ou tronco principal.

### Corte vertical

A ferramenta permite o corte fechado para cantos e outras áreas difíceis.

- ◆ Insira a haste da lâmina no suporte da mesma com os dentes da lâmina virados para cima.
- ◆ Segure na ferramenta com a base virada para baixo, para que possa estar o mais perto possível da peça de trabalho.
- ◆ Corte de cima e na direcção oposta ao seu corpo.

### Acessórios

O desempenho da sua ferramenta depende dos acessórios utilizados. Os acessórios da Black & Decker e Piranha são fabricados de acordo com os mais altos padrões de qualidade e são concebidos para melhorar o desempenho da sua ferramenta. Ao utilizar estes acessórios, poderá tirar um maior partido da sua ferramenta.

## MANUTENÇÃO

Esta ferramenta Black & Decker foi desenvolvida para funcionar por um longo período, com um mínimo de manutenção. O funcionamento contínuo e satisfatório depende da limpeza regular e cuidado adequado da ferramenta.

O seu carregador não requer qualquer manutenção além de sua limpeza regular.

- ◆ **Aviso!** Antes de executar qualquer manutenção na ferramenta, remova a bateria da ferramenta.
- ◆ **Aviso!** Desligue o carregador da ficha antes de limpá-lo.
- ◆ Limpe regularmente as fendas de ventilação da ferramenta utilizando uma escova suave ou um pano seco.
- ◆ Limpe regularmente o compartimento do motor utilizando um pano húmido. Não utilize nenhum limpador abrasivo ou de base solvente.
- ◆ Verifique regularmente o pó que se acumula no suporte da lâmina. Utilize uma escova suave ou ar comprimido de baixa pressão para limpar o suporte da lâmina.

## PROTECÇÃO DO MEIO AMBIENTE

### Ferramentas



A Black & Decker oferece facilidades para a reciclagem de produtos Black & Decker e baterias recarregáveis uma vez que os mesmos tenham alcançado o final de suas vidas úteis. Este serviço é fornecido sem encargos. Para utilizá-lo, devolva seu produto a qualquer agente de reparo autorizado, que se encarregará de recolher o equipamento em nosso nome.

### Baterias



As baterias Black & Decker podem ser recarregadas muitas vezes. No final de sua vida técnicaAs baterias Black & Decker podem ser recarregadas muitas vezes. No final de sua vida útil, deite fora a bateria sempre tendo em mente o cuidado com o meio ambiente:

- ◆ Deixe que a bateria se descarregue completamente e depois remova-a da ferramenta.
- ◆ As baterias NiCd e NiMH são recicláveis. Leve-as ao seu agente de reparação autorizado ou a uma estação local de reciclagem.

Para verificar a localização do agente de reparo mais próximo de si contacte o escritório local da Black & Decker no endereço indicado neste manual. Se preferir, consulte a lista de agentes autorizados da Black & Decker e os dados completos de nossos serviços de atendimento pós-venda na Internet no endereço: [www.2helpU.com](http://www.2helpU.com).

### Dados técnicos

	KS1880S
Voltagem	$V_{DC}$ 18
Número de movimentos	$min^{-1}$ 0 - 3.000
Comprimento do batimento	mm 22
Profundidade de corte máxima	mm
Madeira	76
Aço	5
Alumínio	5
Poda	Ø 76
Cat. no. bateria	A18
Peso	kg 2,9

### Carregador

Voltagem	$V_{AC}$ 230
Tempo aproximado de carregamento	h 3

## Declaração de conformidade

A Black & Decker declara que estas ferramentas foram concebidas em conformidade com:  
98/37/CEE, 89/336/CEE, 73/23/CEE, EN 55014, EN 50260,  
EN 61000

$L_{PA}$  (pressão sonora): 83dB(A),  $L_{WA}$  (potência sonora) 94 dB(A),  
vibração 8,35 m/s<sup>2</sup>



Colin Wills  
Engenheiro Responsável  
BDCI, 4/F, 2 Dai Wang Street  
Tai Po Industrial Estate  
Tai Po NT, Hong Kong

## Garantia

A Black & Decker confia na qualidade de seus produtos e oferece um programa de garantia excelente. Esta declaração de garantia soma-se aos seus direitos legais e não os prejudica em nenhum aspecto. A garantia será válida nos territórios dos Estados Membros da União Europeia e na Área de Livre Comércio da Europa.

Caso algum produto da Black & Decker apresente avarias devido a defeitos de material, mão-de-obra ou ausência de conformidade no prazo de 24 meses a partir da data de compra, a Black & Decker garantirá a substituição das peças defeituosas, a reparação dos produtos que foram submetidos a uso adequado e remoção ou substituição dos mesmos para assegurar o mínimo de inconvenientes ao cliente a menos que:

- ◆ O produto tenha sido utilizado para fins comerciais, profissionais ou aluguer;
- ◆ O produto tenha sido submetido a uso incorrecto ou descuido;
- ◆ O produto tenha sofrido danos causados por objectos estranhos, substâncias ou acidentes;
- ◆ Tenha um histórico de reparações efectuadas por terceiros que não sejam os agentes autorizados ou profissionais de manutenção da Black & Decker.

Para activar a garantia, será necessário enviar a prova de compra ao revendedor ou agente de reparação autorizado. Para verificar a localização do agente de reparação mais próximo de si contacte o escritório local da Black & Decker no endereço indicado neste manual. Se preferir, consulte a lista de agentes autorizados da Black & Decker e os dados completos de nossos serviços de atendimento pós-venda na Internet no endereço: [www.2helpU.com](http://www.2helpU.com).

## Användningsområde

Din Black & Decker-såg är avsedd för sågning i trä, träprodukter och gipsmaterial.

Verktyget är endast avsett som konsumentverktyg.

Din Black & Decker batteriladdare är avsedd för laddning av Black & Decker-batterier av den typ som medföljer verktyget.

## Säkerhetsinstruktioner

- ◆ **Varning!** När man använder uppladdningsbara verktyg är det viktigt att man bl.a. följer nedanstående säkerhetsanvisningar för att minska risken för brand, batteriläckage, personskador och materialskador.
- ◆ Läs bruksanvisningen noggrant innan du använder verktyget.
- ◆ Spara bruksanvisningen lättillgängligt.

### Håll arbetsområdet i ordning

Nedskräpade ytor och arbetsbänkar inbjuder till skador.

### Tänk på arbetsmiljöns inverkan

Utsätt inte verktyget för regn. Använd inte verktyget på fuktiga eller våta platser. Ha bra belysning över arbetsytan. Använd inte verktyget där det finns risk för eldsvåda eller explosion, t.ex. i närheten av lättantändliga vätskor eller gaser.

### Utom räckhåll för barn

Tillåt inte barn, besökande eller djur att komma i närheten av arbetsplatsen eller att röra vid verktyget.

### Klä dig rätt

Bär inte löst hängande kläder eller smycken. De kan fastna i rörliga delar. Gummihandskar och halkfria skor rekommenderas vid utomhusarbeten. Använd hårnät om du har långt hår.

### Skyddskläder

Använd alltid skyddsglasögon. Använd ansiktsmask om arbetet förorsakar damm eller partiklar i luften. Använd hörselskydd om du besväras av ljudnivån.

### Sträck dig inte för mycket

Se till att du alltid har säkert fotfäste och balans.

### Var uppmärksam

Titta på det du gör. Använd sunt förnuft. Använd inte verktyget när du är trött.

### Sätt fast arbetsstycket

Använd skruvvingar eller ett skruvstycke för att hålla fast arbetsstycket. Det är säkrare än att använda handen och du får bägge händerna fria för arbetet.

### Anslut dammsugningsutrustning

Om möjligheter finns för anslutning av utrustning för dammsugning och dammuppsamling ska sådan utrustning anslutas och användas på korrekt sätt. OBS! Använd endast grovsugare.

### Tag bort nycklar

Kontrollera att nycklar och justerverktyg har tagits bort från verktyget innan det startas.

## Använd rätt verktyg

Använd inte verktyg för ändamål de inte är avsedda för.

Tvinga inte verktyget att göra arbeten som är avsedda för kraftigare verktyg. Överbelasta inte verktyget.

**Varning!** Använd endast tillbehör och tillsatser som är rekommenderade i bruksanvisningen och katalogerna. Användning av annat verktyg eller tillbehör kan innebära risk för personskada.

### Kontrollera verktyget för skador

Kontrollera verktyget för skador innan du använder det. Kontrollera att de rörliga delarna inte har fastnat eller är felmonterade. Kontrollera även att övriga delar och skydd inte är skadade och att det inte föreligger några andra fel som kan påverka verktygets funktion. Kontrollera att verktyget fungerar riktigt och kan utföra de avsedda funktionerna. Använd inte verktyget om fel uppstått på någon av dess delar. Använd inte verktyget om det inte kan kopplas till och från med strömbrytaren. Om fel uppstår skall delarna repareras eller bytas ut av en auktoriserad Black & Decker serviceverkstad. Försök aldrig reparera verktyget själv.

### Tag ur batteriet

Tag ur batteriet när verktyget inte används samt före byte av någon del av verktyget, tillbehör eller tillsats och innan serviceåtgärder utförs.

### Undvik oavsiktlig start

Bär aldrig verktyget med ett finger på strömbrytaren. Se till att verktyget är avstängt när du sätter i batteriet i verktyget.

### Misshandla inte sladden

Bär aldrig laddaren i sladden och använd inte sladden för att dra ut kontakten. Utsätt inte sladden för värmekällor, olja eller skarpa kanter.

### Förvara verktyg säkert

När verktyget inte används skall det samt batterierna och laddare förvaras på en torr plats utom räckhåll för barn.

### Sköt verktyget med omsorg

Håll verktyget rent och använd skarpa tillbehör för bättre prestanda och säkrare drift. Följ instruktionerna beträffande skötsel och byte av tillbehör. Håll handtagen och strömbrytare torra, rena och fria från olja och fett.

### Reparationer

Detta verktyg uppfyller gällande säkerhetskrav. Reparationer ska utföras av en auktoriserad Black & Decker serviceverkstad som använder originaldelar, annars kan användaren utsättas för stor fara.

## Extra säkerhetsföreskrifter för batterier och laddare

### Batterier

- ◆ Försök aldrig öppna batteriet.
- ◆ Utsätt inte batteriet för vatten.
- ◆ Förvara inte batteriet i utrymmen där temperaturen kan överstiga 40 °C.

- ◆ Ladda endast inom temperaturområdet 4 °C till 40 °C.
- ◆ Ladda endast med laddaren som medföljer (se tekniska data).
- ◆ Kontrollera före laddningen att batteriet är torrt och rent.
- ◆ Använd endast batterier avsedda för verktyget (se tekniska data).
- ◆ När batterierna kasseras skall instruktionerna i kapitlet "Miljö" följas.
- ◆ Under extrema förhållanden kan batteriläckage uppstå. Om du upptäcker vätska från batteriet skall följande iakttagas:
  - Torka försiktigt bort vätskan med en trasa. Undvik kontakt med huden.
  - Vid kontakt med huden eller ögonen skall instruktionerna nedan följas.

**Varning!** Batterivätskan, en 25-30% lösning av kaliumhydroxid, kan vara skadlig. Vid kontakt med huden, spola omedelbart med vatten. Neutralisera med en svag syra, t ex citronjuice eller ättika. Vid kontakt med ögonen, skölj rikligt med vatten i minst 10 minuter. Kontakta läkare.



Brandfara! Undvik att kontakterna på ett fränkopplat batteri kortsluts av metall (t ex vid förvaring av batteriet i en verktygslåda).



Batteriet får ej eldas upp.



Använd aldrig ett skadat batteri.

## Laddare

- ◆ Använd Black & Decker-laddaren endast tillsammans med det batteri som medföljer verktyget. Andra typer av batterier kan explodera och förorsaka person- och materialskador.
- ◆ Försök aldrig ladda icke uppladdningsbara batterier.
- ◆ Byt genast ut skadade sladdar.
- ◆ Utsätt inte laddaren för vatten.
- ◆ Öppna inte laddaren.
- ◆ Gör ingen åverkan på laddaren.



Endast avsedd för inomhusbruk.

## ELEKTRISK SÄKERHET

Kontrollera att laddarens spänning överensstämmer med nätspänningen.



Laddaren är dubbelisolerad motsvarande EN 60335; jordledare är således överflödigt.

**Varning!** Försök aldrig att ersätta laddningsenheten med en vanlig nätkontakt.

## Ytterligare säkerhetsinstruktioner för handsågar

- ◆ Använd alltid ett sågblad som passar arbetsstyckets material samt snitttyp.
- ◆ Använd endast sågblad i god kondition.
- ◆ När du stänger av maskinen skall du vänta tills sågbladet har stannat helt innan du lägger ifrån dig verktyget.
- ◆ Håll händerna på avstånd från sågbladet när verktyget är i gång.
- ◆ Vidrör aldrig ett nyss använt sågblad eftersom det kan vara upphettat.
- ◆ Försök aldrig såga mycket små arbetsstycken.
- ◆ Ta reda på var dolda rör och ledningar finns innan du börjar såga i väggar eller golv.
- ◆ Starta aldrig verktyget när bladet är fastklämt i arbetsstycket eller när det är i kontakt med materialet.
- ◆ Lagg aldrig tryck från sidan på sågbladet.
- ◆ Håll alltid i verktyget med bägge händerna.
- ◆ Använd inte verktyget när du är uppe i ett träd, på en stege eller på något annat ostadigt underlag.
- ◆ När du kapar grenar - var klar över grenens fallriktning.
- ◆ Var extra försiktig under sågning i trä- eller metallmaterial som skulle kunna avge giftigt damm.
  - Använd en specialkonstruerad ansiktsmask som skyddar mot giftigt damm eller ångor, samt se till att personer som vistas på, eller kommer i närheten av arbetsplatsen också är skyddade.
  - Låt aldrig barn eller gravida kvinnor vistas på arbetsplatsen.
  - Ät, drick och rök inte på arbetsplatsen.
  - Släng damm och annat avfall på miljösäker plats.

## Översikt (fig. A)

1. Strömbrytare
2. Låsknapp
3. Hållare för sågblad
4. Fotplatta
5. Fastspänningsspak för sågblad
6. Batteri
7. Lösgöringsknapp - batteri
8. Laddare
9. Laddningsenhet

## Montering

### Montering och borttagning av batteri (fig. A)

- ◆ Vid montering vänds batteriet (6) in mot hållaren på verktyget. Skjut sedan in batteriet i hållaren tills det snäpper fast.
- ◆ Vid borttagning av batteriet trycker du på knappen (7) och drar ut det ur hållaren.

## Montering av sågblad (fig. B)

- ◆ Håll sågbladet stadigt Om sågbladet har ett eggskydd, behåll det på medan bladet monteras.
- ◆ Dra upp fastspänningsspaken (5) för att öppna fastspänningsmekanismen.
- ◆ Tryck in sågbladets fattning i hållaren (3) så långt som möjligt.
- ◆ Dra ner fastspänningsspaken (5) för att stänga fastspänningsmekanismen.
- ◆ Ta bort ev. eggskydd.

Obs! Verktuget är utformat så att sågbladen kan monteras med sågtänderna framåt- eller bakåtvända.

## Användning

### Laddning av batteriet (fig. A)

Batteriet måste laddas innan det används första gången och alltid när verktuget inte längre fungerar effektivt. När batteriet laddas första gången eller efter en längre tids förvaring är laddningskapaciteten endast 80%. Efter flera uppladdnings- och urladdningscyklar uppnår batteriet full kapacitet. Batteriet kan bli varmt under laddningen; detta är en normal företeelse och indikerar inte något fel.

**Varning!** Ladda inte batteriet om lufttemperaturen är lägre än 4 °C eller högre än 40 °C. Rekommenderad temperatur vid laddning är cirka 24 °C.

- ◆ Ta av batteriet (6) från verktuget när du ska ladda det.
- ◆ Skjut på laddningsenheten (9) på batteriet enligt bild.
- ◆ Nätslut laddaren (8).

Batteriet blir varmt när det laddas. Batteriet är laddat för normal användning efter ungefär 3 timmar. Batteriet är fulladdat efter ungefär 6 timmars laddning.

- ◆ Ta bort laddningsenheten från batteriet.

### Strömbrytare

- ◆ Starta verktuget genom att frigöra låsknappen (2) och trycka på strömbrytaren (1).
- ◆ Släpp strömbrytaren för att stänga av verktuget.

### Sågning (fig. C)

- ◆ Håll alltid i verktuget med bägge händerna.
- ◆ Låt bladet gå tomgång några sekunder innan du börjar såga.
- ◆ Tryck bara lätt mot verktuget under sågningen.
- ◆ Om det går ska fotplattan ligga an tätt mot arbetsstycket under sågningen. Det ger bättre grepp om verktuget och minskar vibrationerna, liksom det motverkar skador på bladet.

## Tips för bästa resultat

### Sågning i trä

- ◆ Spänn fast arbetsstycket ordentligt och ta bort alla spikar och andra metallföremål.
- ◆ Håll verktuget med båda händerna och låt fotplattan ligga an tätt mot arbetsstycket under sågningen.

### Såga hål i trä

- ◆ Mät upp och markera hålet.
- ◆ Använd ett sågblad som är lämpligt för hålsågning.
- ◆ Lägg an fotplattan mot arbetsstycket så att bladet kommer i rätt vinkel för hålsågning.
- ◆ Starta verktuget och tryck sakta in bladet i arbetsstycket. Se till att fotplattan ligger hela tiden mot arbetsstycket.

### Sågning i metall

- ◆ Kom ihåg att det tar mycket längre tid att såga metall än trä.
- ◆ Använd ett sågblad som är lämpligt för metallsågning. Använd ett fintandat sågblad för järnhaltiga metaller och ett grövre sågblad för andra metaller.
- ◆ När du sågar i tunn plåt, kan du spänna fast en träbit på plåtens baksida och sedan såga igenom "sandwichen".
- ◆ Smörj ett tunt lager olja längs såglinjen.

### Kapa grenar.

Verktuget kan användas för kapning av grenar upp till 25 mm diameter.

**Varning!** Använd inte verktuget när du är uppe i ett träd, på en stege eller på något annat ostadigt underlag. Håll reda på grenens fallriktning.

- ◆ Skär neråt och bort från dig själv.
- ◆ Lägg snittet nära den större grenen eller trädstammen.

### Vertikalsågning

Sågen kan användas vid hörn och andra besvärliga ytor.

- ◆ Tryck in sågbladets fattning i hållaren med tandningen vänd uppåt.
- ◆ Håll verktuget med fotplattan vänd neråt så att du kommer så nära arbetsytan som möjligt.
- ◆ Såga framåt och bort från dig själv.

## Tillbehör

Verktugets användningsområde beror på vilket tillbehör du väljer. Black & Decker- och Piranhatillbehören är av hög kvalitet. Genom att använda dessa tillbehör kan du få ut mesta möjliga av verktuget.

## SKÖTSEL

Ditt Black & Decker verktyg har tillverkats för att fungera under lång tid med ett minimum av skötsel. Med rätt underhåll och regelbunden rengöring bibehåller verktyget sin prestanda. Laddaren behöver inget underhåll förutom regelbunden rengöring.

- ♦ **Varning!** Tag bort batteriet innan underhåll utförs på verktyget.
- ♦ **Varning!** Tag ur laddarens kontakt före rengöring.
- ♦ Rengör regelbundet ventilationsöppningarna på verktyget med en mjuk borste eller torr trasa.
- ♦ Rengör regelbundet motorhuset med en fuktig trasa. Använd aldrig lösningsmedel eller frätande rengöringsmedel.
- ♦ Kontrollera hela tiden om sågspån fastnar på hållaren. Använd en mjuk borste eller blås luft med lätt tryck för att rengöra sågbladshållaren.

## MILJÖ

### Verktyg



När ditt verktyg är utslitet, skydda naturen genom att inte slänga det tillsammans med vanligt avfall. Lämna det till de uppsamlingsställen som finns i din kommun eller där du köpt verktyget.

### Batterier



Black & Decker batterierna kan laddas många gånger. Skydda miljön genom att lämna kasserade batterier till därför avsedd uppsamlingsplats.

- ♦ Ladda ur batteriet helt och tag sedan bort det från verktyget.
- ♦ NiCd och NiMH batterier är återvinningsbara. Lämna dem till inköpsstället eller den lokala återvinningsstationen. Återlämnade batterier återvinns eller sänds till särskilda behandlingsanläggningar.

### Tekniska data

	KS1880S
Spänning	$V_{DC}$ 18
Antal sågskär.	$min^{-1}$ 0 - 3.000
Snittlängd	mm 22
Max. snittdjup	mm
Trä	76
Stål	5
Aluminium	5
Beskärning	ø 76
Kat. nr. batteri	A18
Vikt	kg 2,9

### Laddare

Spänning	$V_{AC}$ 230
Laddningstid cirka	tim 3

## CE-försäkran om överensstämmelse

Black & Decker förklarar att dessa verktyg är konstruerade i överensstämmelse med:  
98/37/EEG, 89/336/EEG, 73/23/EEG, EN 55014, EN 50260, EN 61000

$L_{PA}$  (ljudtryck): 83 dB(A),  $L_{WA}$  (ljudeffekt) 94 dB(A),  
vägd geometrisk medelvärde av vibrationsfrekvensen 8,35  $m/s^2$

Colin Wills  
Director of Engineering  
BDCI, 4/F, 2 Dai Wang Street  
Tai Po Industrial Estate  
Tai Po NT, Hong Kong

## Reservdelar / reparationer

Reservdelar finns att köpa hos auktoriserade Black & Decker verkstäder, som även ger kostnadsförslag och reparerar våra produkter.

Förteckning över våra auktoriserade verkstäder finns på Internet, vår hemsida **www.blackdecker.se** samt **www.2helpU.com**.

## Garanti

Black & Decker garanterar att produkten är fri från material- och/eller fabriktionsfel vid leverans till kund. Garantin är i tillägg till konsumentens lagliga rättigheter och påverkar inte dessa. Garantin gäller inom medlemsstaterna i Europeiska Unionen och i det Europeiska Frihandelsområdet.

Om en Black & Decker produkt går sönder på grund av material- och/eller fabriktionsfel eller brister i överensstämmelse med specifikationen, inom 24 månader från köpet, åtar sig Black & Decker att reparera eller byta ut produkten med minsta besvär för kunden.

Garantin gäller inte för fel som beror på:

- ♦ normalt slitage
- ♦ felaktig användning eller skötsel
- ♦ att produkten skadats av främmande föremål, ämnen eller genom olyckshändelse

Garantin gäller inte om reparation har utförts av någon annan än en auktoriserad Black & Decker verkstad.

För att utnyttja garantin skall produkten och inköpskvittot lämnas till återförsäljaren eller till en auktoriserad verkstad senast 2 månader efter det att felet har upptäckts. För information om närmaste auktoriserad verkstad; kontakta det lokala Black & Decker kontoret på den adress som är angiven i bruksanvisningen. En lista på alla auktoriserade verkstäder samt servicevillkor finns även tillgängligt på Internet, adress: **www.2helpU.com**.



## Bruksområde

Sagen fra Black & Decker er utformet for saging av tre, treprodukter, metall og gipsplater.

Verktøyet er tiltenkt kun som konsumentverktøy.

Din Black & Decker lader er konstruert for å lade

Black & Decker batterier av den typen som leveres med verktøyet.

## Sikkerhetsinstruksjoner

- ◆ **Advarsel!** Når du bruker oppladbare verktøy, må du følge en del grunnleggende sikkerhetsregler, se nedenfor, for å redusere faren for brann, batterilekkasjer, personskaide og materialskaide.
- ◆ Ta deg tid til å lese nøye gjennom bruksanvisningen før du begynner å bruke verktøyet.
- ◆ Oppbevar bruksanvisningen på et lett tilgjengelig sted.

### Hold arbeidsområdet rent og ryddig

En uryddig arbeidsplass innbyr til skader.

### Tenk på arbeidsmiljøets innvirkning

Utsett ikke verktøyet for regn. Bruk ikke verktøyet under våte eller fuktige forhold. Pass på at arbeidsområdet er godt opplyst. Bruk ikke verktøyet hvor det er fare for forårsaking av brann eller en eksplosjon, f. eks. i nærheten av brannfarlige væsker eller gasser.

### Hold barn unna

Barn, besøkende eller dyr må ikke komme i nærheten av arbeidsområdet eller i kontakt med verktøyet.

### Kle deg riktig

Ha ikke på deg løstsittende klær eller smykker. De kan sette seg fast i de bevegelige delene. Vi anbefaler gummihansker og sko som ikke glir når du arbeider utendørs. Bruk hårnett hvis du har langt hår.

### Personlig vern

Bruk vernebriller. Bruk en ansikts- eller støvmaske når operasjonene kan forårsake støv eller flyvende partikler.

Bruk ørevern når støynivået virker ukomfortabelt.

### Strek deg ikke for langt

Pass på at du alltid har sikkert fotfeste og balanse.

### Vær oppmerksom

Se på det du gjør. Bruk sunn fornuft. Bruk ikke maskinen når du er trett.

### Sikre arbeidsstykket

Bruk tvinger eller skrustikker til å feste arbeidsstykket med. Dette er sikrere enn å bruke hånden, og du får begge hendene fri til å styre verktøyet.

### Kople til støvutsugstutyr

Hvis det følger med utstyr for tilkoping av støvutsug og støvoppsamling, må du sørge for at dette koples til og brukes riktig. Bruk kun industristøvsuger.

## Fjern nøkler

Gjør det til vane å sjekke om nøkler og justeringsverktøy er fjernet før verktøyet startes.

## Bruk riktig verktøy

Bruk ikke verktøyet til formål det ikke er ment for. Tving ikke en maskin til å gjøre arbeid som krever kraftigere verktøy. Overbelast ikke verktøyet.

**Advarsel!** Bruk bare tilbehør og utstyr som anbefales i bruksanvisningen og i katalogene. Bruk av annet verktøy eller tilbehør kan medføre en mulig risiko for personskaide.

## Sjekk verktøyet for skader

Kontroller verktøyet nøye for skade før bruk. Kontroller at de bevegelige delene ikke har satt seg fast eller er feilmontert. Kontroller også at de øvrige delene og beskyttelsene ikke er skadet og at det ikke foreligger noen andre feil som kan påvirke verktøyets funksjon. Kontroller at verktøyet fungerer som det skal og utfører beregnet funksjon. Bruk aldri verktøyet hvis noen av delene er skadet. Ikke bruk verktøyet hvis det ikke er mulig å slå det på og av med strømbryteren. Hvis feil oppstår skal delene repareres eller byttes ut av et autorisert Black & Decker serviceverksted. Prøv aldri å reparere selv.

## Fjern batteriet

Ta ut batteriet når verktøyet ikke er i bruk, før du bytter noen av delene på verktøyet, tilbehør eller tilslutning og før vedlikehold.

## Unngå utilsiktet start

Bær aldri verktøyet med fingeren på strømbryteren. Pass på at verktøyet er slått av når du setter inn batteriet.

## Ikke mislighold ledningen

Bær aldri laderen i ledningen og bruk ikke ledningen for å dra ut kontakten. Utsett ikke ledningen for varme, olje, eller skarpe kanter.

## Oppbevar verktøyet på et trygt sted

Når det ikke er i bruk, må verktøy, batteri og lader oppbevares på et tørt sted, og slik at det ikke er tilgjengelig for barn.

## Vær nøye med vedlikeholdet

Hold verktøyet rent og bruk skarpe tilbehør for bedre prestasjon og sikrere drift. Følg forskriftene når det gjelder vedlikehold og skifte av tilbehør. Hold håndtakene og brytere tørre, rene og fri for olje og fett.

## Reparasjoner

Dette verktøyet overholder relevante sikkerhetskrav. Reparasjoner må bare utføres av autoriserte Black & Decker serviceverksteder som benytter originale reservedeler, ellers kan det være farlig å bruke utstyret.

## Ekstra sikkerhetsforskrifter for batterier og ladere

### Batterier

- ◆ Må aldri åpnes.
- ◆ Må ikke komme i kontakt med vann.

- ◆ Må ikke oppbevares på steder hvor temperaturen kan overstige 40 °C.
- ◆ Må bare lades i lufttemperaturer mellom 4 °C og 40 °C.
- ◆ Lad bare med laderen som følger med verktøyet (se tekniske data).
- ◆ Før opplading, pass på at batteriet er tørt og rent.
- ◆ Bruk bare den korrekte type batteri for verktøyet (se tekniske data).
- ◆ Når du kasserer batteriet, følger du instruksene som er gitt i seksjonen "Miljø".
- ◆ Under ekstreme forhold, kan batterilekkasje forekomme. Hvis du merker væske på batteriet, må du gjøre som følger:
  - Tørk forsiktig væsken med et tøystykke. Unngå kontakt med huden.
  - I tilfeller hvor det oppstår kontakt med hud eller øyne, skal instruksjonene nedenfor følges.

**Advarsel!** Batterivæsken, en 25-30 % løsning av kaliumhydroksid, kan være skadelig. Hvis det oppstår berøring med hud, må du straks skylle med vann. Nøytralisert med en svak syre, f.eks. sitronsaft eller eddik. Hvis du får væsken i øynene, må du rense dem med rikelig rent vann i minst 10 minutter. Kontakt lege.



Brennfare! Unngå at metall kortslutter kontaktene på et batteri som er tatt ut (f.eks. ved oppbevaring av batteriet i en verktøykasse).



Ikke brenn batteriet.



Bruk aldri et skadet batteri.

## Ladere

- ◆ Bruk din Black & Decker lader kun sammen med det batteriet som blir levert med verktøyet. Andre typer av batterier kan eksplodere og forårsake person- og materialskader.
- ◆ Forsøk aldri å lade ikke oppladbare batterier.
- ◆ Bytt straks ut defekte ledninger.
- ◆ Må ikke komme i kontakt med vann.
- ◆ Laderen må ikke åpnes.
- ◆ Ikke skad eller mislighold laderen.



Kun tiltenkt for bruk innendørs.

## ELEKTRISK SIKKERHET

Kontroller at spenningen til laderen tilsvarer nettspenningen.



Laderen er dobbeltisolert i samsvar med EN 60335. Jordet ledning er derfor ikke nødvendig.

**Advarsel!** Du må aldri forsøke å bytte laderen ut med et vanlig støpsel.

## Ekstra sikkerhetsinstruksjoner for håndholdte sager

- ◆ Bruk alltid det bladet som er beregnet på arbeidsmaterialet, og på den typen kutt som skal utføres.
- ◆ Benytt bare sagblader i god stand.
- ◆ Slå alltid verktøyet av, og vent til bladene har stoppet helt før du legger sagen fra deg.
- ◆ Hold hendene på avstand fra sagbladet mens du arbeider.
- ◆ Ikke ta på sagbladet like etter bruk. Det kan være varmt.
- ◆ Ikke forsøk å sage veldig små emner.
- ◆ Før du sager i vegger eller gulv, må du finne ut hvor det ligger rør og ledninger.
- ◆ Ikke slå på verktøyet hvis sagbladet sitter fast i arbeidsemnet eller mens det er i kontakt med materialet.
- ◆ Ikke legg vekt på sagbladet fra siden.
- ◆ Hold alltid verktøyet med begge hender.
- ◆ Ikke bruk verktøyet hvis du står i et tre, på en stige eller på andre ustabile underlag.
- ◆ Hvis du sager grener, pass på grenens fallretning.
- ◆ Vær spesielt forsiktig hvis du sager i tre og metaller som kan forårsake giftig støv:
  - Bruk en spesialmaske som verner mot blystøv og damp, og pass på at andre som kommer inn der du arbeider, også beskyttes seg.
  - La ikke barn eller gravide komme inn der du arbeider.
  - Ikke spis, drikk eller røyk der du arbeider.
  - Kvitt deg med støvpartikler eller annet avfall på en miljøvennlig måte.

## Oversikt (fig. A)

1. Strømbryter
2. Låseknapp
3. Sagbladholder
4. Sagesko
5. Bladklemmehendel
6. Batteri
7. Utløserknapp for batteriet
8. Lader
9. Ladeenhet

## Montering

### Montere og fjerne batteriet

- ◆ Når du skal sette i batteriet (6), holder du det på høyde med holderen på verktøyet. Skyv batteriet inn i holderen, og trykk til det sitter på plass.
- ◆ Når du skal fjerne batteriet, trykker du på de to utløserknappene (7) samtidig, mens du drar batteriet ut av holderen.

## Montere sagbladet (fig. B)

- ◆ Hold sagbladet sikkert. Hvis sagbladet har et tannvern, lar du det stå på mens du fester bladet.
- ◆ Trekk bladklemmehendelen (5) opp for å utløse klemmemekanismen.
- ◆ Sett skaftet på sagbladet så langt inn i sagbladholderen (3) det kommer.
- ◆ Trekk bladklemmehendelen (5) ned for å låse klemmemekanismen.
- ◆ Ta av tannvernet, hvis et slikt er montert.

Merk: Dette verktøyet er utformet slik at sagblad enten kan monteres med tennene forover eller bakover.

## Bruk

### Lading av batteriet (fig. A)

Batteriet må lades før første gangs bruk og alltid når verktøyet ikke lenger fungerer effektivt. Når batteriet lades for første gang, eller etter at det ikke har vært brukt i en periode, er ladekapasiteten kun 80%. Etter flere ladings- og utladingsperioder, vil batteriet oppnå full kapasitet. Batteriet kan bli varmt mens det lades; dette er normalt og indikerer ikke at noe er feil.

**Advarsel!** Lad ikke batteriet hvis lufttemperaturen er under 4 °C eller over 40 °C. Anbefalt ladingstemperatur: ca. 24 °C.

- ◆ Når du skal lade batteriet (6), må du fjerne det fra verktøyet.
- ◆ Skyv batteriladeren (9) inn på batteriet som vist.
- ◆ Koble laderen (8) til stikkontakten.

Batteriet blir varmt under lading. Etter omtrent 3 timers lading er batteriet tilstrekkelig ladet for alminnelig bruk. Etter om lag 6 timers lading vil batteriet være helt oppladet.

- ◆ Fjern batteriladeren fra batteriet.

### Strømbryter

- ◆ For å slå verktøyet på holder du låseknappen (2) nede og trykker på strømbryteren (1).
- ◆ Slipp strømbryteren for å slå verktøyet av.

### Sage (fig. C)

- ◆ Hold alltid verktøyet med begge hender.
- ◆ La bladet gå ubelastet i et par sekunder før du begynner å sage.
- ◆ Legg kun forsiktig trykk på verktøyet mens du sager.
- ◆ Om mulig arbeider du med sageskoen presset mot arbeidsemnet. Da får du bedre kontroll over verktøyet, opplever mindre vibrasjon og reduserer risikoen for at bladet skades.

## Råd for optimalt resultat

### Saging av tre

- ◆ Fest arbeidsemnet godt og fjern alle spikre og metallgjenstander.
- ◆ Hold verktøyet med begge hender og arbeid med sageskoen presset inn mot arbeidsemnet.

### Kutte hull i tre

- ◆ Mål og merk av der hullet skal sages.
- ◆ Sett på et sagblad som egner seg for saging av hull.
- ◆ La sageskoen hvile mot arbeidsemnet i en slik posisjon at bladet kommer i riktig vinkel for kuttet.
- ◆ Slå på verktøyet og før bladet sakte inn i arbeidsemnet. Pass på at sageskoen hele tiden er i kontakt med arbeidsemnet.

### Sage i metall

- ◆ Husk at det tar mye lenger tid å sage i metall enn i tre.
- ◆ Bruk et sagblad som er egnet for saging i metall. Bruk et fintannet sagblad til jernholdige metaller, og et grovere sagblad til ikke-jernholdige metaller.
- ◆ Klem fast en planke på baksiden av arbeidsemnet når du skal sage tynne metallplater, og sag gjennom begge deler samtidig.
- ◆ Legg en oljefilm langs beregnet sagelinje.

### Sage grener

Du kan sage av grener med diameter opptil 25 mm med dette verktøyet.

**Advarsel!** Ikke bruk verktøyet hvis du står i et tre, på en stige eller på andre ustabile underlag. Husk å tenke på hvor grenene kommer til å falle.

- ◆ Skjær nedover og bort fra kroppen din.
- ◆ Skjær tett inntil hovedgrenen eller trestammen.

### Vertikal saging

Verktøyet gjør det enkelt å sage i hjørner og andre vanskelige områder.

- ◆ Sett skaftet på sagbladet inn i holderen med tennene på bladet opp.
- ◆ Hold verktøyet med sageskoen ned, slik at du kommer så nærme arbeidsflaten som mulig.
- ◆ Skjær fremover og bort fra kroppen din.

## Tilbehør

Verktøyet bruksområde er avhengig av hvilket tilbehør du velger. Tilbehør fra Black & Decker og Piranha er utformet i henhold til høye kvalitetsstandarder og er utformet for å gi optimal ytelse ved bruk sammen med ditt verktøy. Når du bruker dette tilbehøret, får du optimal ytelse fra ditt verktøy.

## VEDLIKEHOLD

Ditt Black & Decker verktøy har blitt utformet for å være i drift over en lang periode med et minimum av vedlikehold.

Ved riktig vedlikehold og regelmessig rengjøring beholder verktøyet sin prestasjon.

Laderen din behøver ikke annet vedlikehold enn at du tørker over den med jevne mellomrom.

- ♦ **Advarsel!** Før det utføres noen form for vedlikehold av verktøyet, må batteriet tas ut.
- ♦ **Advarsel!** Trekk ut kontakten når laderen skal gjøres ren.
- ♦ Rengjør verktøyets ventilasjonsåpninger regelmessig med en bløt børste eller en tørr klut.
- ♦ Regjør motorhuset regelmessig med en fuktig klut. Bruk ikke etsende eller løsemiddelbaserte rengjøringsmidler.
- ♦ Kontroller jevnlig om det har festet seg sagspon til sagbladholderen. Rengjør sagbladholderen med en myk børste eller lavtrykksluft.

## MILJØ

### Verktøy



Når verktøyet ditt er utslitt, beskytt naturen ved ikke å kaste det sammen med vanlig avfall. Lever det til en oppsamlingsplass som finnes i din kommune eller der hvor du kjøpte verktøyet.

### Batterier



Black & Decker batteriene kan lades mange ganger. Beskytt miljøet ved å levere kasserte batterier til en oppsamlingsplass beregnet for dette.

- ♦ Lad ut batteriene helt og ta de så ut av verktøyet.
- ♦ NiCd og NiMH batterier er gjenvinningsbare. Lever de til innkjøpsstedet eller din lokale gjenvinningsstasjon. Innleverte batterier gjenvinnes eller sendes til et egnet behandlingsanlegg.

## Tekniske data

	KS1880S	
Spenning	$V_{DC}$	18
Antall anslag	$\text{min}^{-1}$	0 - 3.000
Anslagslengde	mm	22
Maks. sagedybde	mm	
Tre		76
Stål		5
Aluminium		5
Beskjæring	Ø	76
Kat.nr. batteri		A18
Vekt	kg	2,9

## Lader

Spenning	$V_{AC}$	230
Ladetid, ca	timer	3

## CE-sikkerhetserklæring

Black & Decker erklærer at disse verktøyer er konstruert i henhold til:

98/37/EØF, 89/336/EØF, 73/23/EØF, EN 55014, EN 50260, EN 61000

$L_{PA}$  (lydnivå): 83 dB(A),  $L_{WA}$  (akustisk effekt) 94 dB(A), veid geometrisk middelvei av vibrasjonsfrekvensen 8,35 m/s<sup>2</sup>

Colin Willis  
Director of Engineering  
BDCI, 4/F, 2 Dai Wang Street  
Tai Po Industrial Estate  
Tai Po NT, Hong Kong

## Reservdeler / reparasjoner

Reservdeler kan kjøpes hos autoriserte Black & Decker serviceverksteder, som også gir kostnadsoverslag og reparerer våre produkter.

Oversikt over våre autoriserte serviceverksteder finnes på Internet, vår hjemmeside [www.blackdecker.no](http://www.blackdecker.no) samt [www.2helpU.com](http://www.2helpU.com).

## Garanti

Black & Decker garanterer at produktet ikke har material- og/eller fabrikkasjonsfeil ved levering til kunde. Garantien er i tillegg til kundens lovlige rettigheter og påvirker ikke disse. Garantien gjelder innen medlemsstatene i den Europeiske Unionen og i det Europeiske Frihandelsområdet.

Hvis et Black & Decker produkt går i stykker på grunn av material- og/eller fabrikkasjonsfeil eller har mangler i forhold til spesifikasjonene, innen 24 måneder fra kjøpet, påtar Black & Decker seg å reparere eller bytte ut produktet med minst mulig vanskelighet for kunden.

Garantien gjelder ikke for feil som kommer av:

- ♦ normal slittasje
- ♦ feilaktig bruk eller vedlikehold (mislighold)
- ♦ at produktet har blitt skadet av fremmede gjenstander, emner eller ved et uhell

Det gjøres oppmerksom på at produktet ikke er beregnet på industriell/profesjonell/yrkesmessig bruk, men til hus- og hjemmebruk.

Garantien gjelder ikke om reparasjoner har blitt utført av noen andre enn et autorisert Black & Decker serviceverksted.

For å ta garantien i bruk skal produktet og kjøpekvittering leveres til forhandleren eller til et autorisert serviceverksted senest 2 måneder etter at feilen har blitt oppdaget.

For informasjon om nærmeste autoriserte serviceverksted; kontakt det lokale Black & Decker kontoret på den adressen som er angitt i bruksanvisningen. En oversikt over alle autoriserte serviceverksteder samt servicevilkår finnes også tilgjengelig på Internet, adresse: **[www.2helpU.com](http://www.2helpU.com)**.

## Anvendelsesområde

Din Black & Decker sav er designet til savning i træ, træprodukter, metal og materialer indeholdende gips. Værktøjet er kun beregnet til privat brug.

Black & Decker laderen er designet til opladning af samme Black & Decker batterier, som leveres med dette værktøj.

## Sikkerhedsinstruktioner

- ◆ **Advarsel!** Ved brug af genopladeligt værktøj skal de grundlæggende sikkerhedsforanstaltninger, herunder de følgende, altid følges, således at risikoen for brand, lækkende batterier og person- og materialeskader begrænses.
- ◆ Læs denne brugsanvisning igennem, inden værktøjet tages i brug.
- ◆ Opbevar brugsanvisningen let tilgængeligt.

### Hold arbejdsområdet i orden

Uordentlige arbejdsområder og arbejdsbænke indbyder til skader.

### Tænk på arbejdsmiljøets indflydelse

Udsæt ikke værktøjet for regn. Anvend ikke værktøjet på fugtige eller våde pladser. Sørg for en god belysning over arbejdsområdet. Anvend ikke værktøjet hvor der eksisterer risiko for at brand kan opstå eller eksplosioner forekomme, som følge af brug af værktøjet. F. eks. aldrig i nærheden af let antændelige væsker eller gasser.

### Hold børnene på afstand

Børn, besøgende eller dyr må ikke nærme sig arbejdsområdet eller røre ved værktøjet.

### Klæd dig rigtigt på

Bær ikke løst hængende tøj eller smykker. De kan sidde fast i bevægelige dele. Gummihandsker og skridsikre sko anbefales ved udendørs arbejde. Brug hånet, hvis du har langt hår.

### Personlig beskyttelse

Brug beskyttelsesbriller. Brug ansigts- eller støvmaske, når brug af værktøjet kan medføre støv eller flyvende partikler. Brug høreværn, når lydniveauet virker generende.

### Stræk dig ikke for meget

Sørg for, at du altid har sikkert fodfæste og balance.

### Vær opmærksom

Se på det, du gør. Brug din sunde fornuft. Brug ikke værktøjet, når du er trætt.

### Sæt arbejdsemnet fast

Brug skruetvinger eller skruestik for at spænde arbejdsemnet fast. Det er sikrere end at bruge hånden, og du får begge hænder fri til arbejdet.

### Tilslut støvudsugningsudstyret

Hvis der findes enheder til tilslutningsfunktionerne støvudsugning og støvopsamling, skal man sørge for, at disse tilsluttes og bruges korrekt.

## Fjern nøglerne

Kontroller at nøgler og justerværktøj er fjernet fra værktøjet, inden det startes.

## Brug det rigtige værktøj

Brugen af værktøjet er beskrevet i denne brugsanvisning. Tving ikke elværktøj til at udføre arbejde, som er beregnet til kraftigere værktøj. Brug kun tilbehør og dele, der er anbefalet i brugsanvisningen og katalogerne. Værktøjet må ikke forceres.

**Advarsel!** Anvendelsen af andet tilbehør eller udførelse af opgaver med andet værktøj end det her anbefalede kan medføre risiko for personskader.

## Kontrollér værktøjet for skader

Kontrollér omhyggeligt værktøjet for beskadigelser, før du bruger det. Check de bevægelige dele for skæv indstilling og sammenbrændinger, kontrollér for brud på dele, skader på skærme og kontakter samt alt andet, der kan påvirke værktøjets funktion. Kontrollér, at værktøjet fungerer rigtigt og kan udføre det arbejde, det er beregnet til. Værktøjet må ikke benyttes, hvis en af delene er beskadiget eller defekt. Brug ikke værktøjet, hvis det ikke kan tændes og slukkes ved afbryderen. Skadede eller defekte dele skal repareres eller udskiftes af en autoriseret tekniker. Man må aldrig forsøge selv at reparere værktøjet.

## Fjern batteriet

Fjern batteriet når værktøjet er ude af brug og før udskiftning af enhver værktøjsdel, tilbehør eller andet udstyr.

## Undgå utilsigtet start af værktøjet

Man må ikke bære værktøjet med en finger på tænd/sluk knappen. Kontrollér at værktøjet er slukket, når du sætter et batteri i værktøjet.

## Vær forsigtig med ledningen

Laderen må aldrig bæres i ledningen eller tages ud af stikkontakten ved at rive i ledningen. Ledningen skal holdes på afstand fra varme, olie og skarpe kanter.

## Opbevar værktøjet sikkert, når det ikke bruges

Når værktøj, batterier og oplader ikke er i brug, skal de opbevares indelåst eller højt placeret et tørt sted uden for børns rækkevidde.

## Vedligehold værktøjet omhyggeligt

Skærende værktøj skal holdes skarpe og rene, for på denne måde at opnå et bedre og mere sikkert brug.

Følg vedligeholdelsesvejledningen samt vejledningen til udskiftning af tilbehør. Hold håndtagene og knapperne tørre, rene og fri for olie og fedt.

## Reparationer

Dette værktøj opfylder de relevante sikkerhedskrav. Reparationer må kun foretages af dertil kvalificerede personer, som bruger originale reservedele. I modsat fald kan der opstå betydelig fare for brugeren.

## Yderligere sikkerhedsanvisninger til batterier og ladere



Kun beregnet til indendørs brug.

### Batterier

- ◆ Man må aldrig åbne et batteri.
- ◆ Det må ikke udsættes for vand.
- ◆ Det må ikke opbevares i lokaler, hvor temperaturen overstiger 40 °C.
- ◆ Det må kun oplades ved omgivelsestemperaturer mellem 4 °C og 40 °C.
- ◆ Oplad kun med den vedlagte lader (se tekniske data).
- ◆ Før opladning skal man sikre sig, at batteriet er tørt og rent.
- ◆ Benyt kun de til værktøjet beregnede batterier (se tekniske data).
- ◆ Ved kassering af batterier, skal man følge vejledningen givet i afsnittet "Miljø".
- ◆ Under ekstreme forhold kan der forekomme batteriutæthed. Hvis man opdager væske på batteriet, skal man gå frem på følgende måde:
  - Tør forsigtigt væsken af med en klud. Undgå kontakt med huden.
  - I tilfælde af at væsken kommer i kontakt med huden, skal man følge nedenstående vejledning.

**Advarsel!** Batterivæsken, en 25-30% opløsning af kaliumhydroksid, kan være skadelig. Ved hudkontakt skal der omgående skylles med vand. Neutraliser med en mild syre såsom citronsaft eller eddike. Ved øjenkontakt skylles med rigeligt vand i mindst 10 minutter. Opsøg læge.



Brandfare. Undgå at kortslutte kontakterne på et frakoblet batteri med metalgenstande (ved f.eks. at have nøgler i samme lomme som batteriet).



Brænd ikke batteriet.



Oplad ikke et beskadiget batteri.

### Ladere

- ◆ Din Black & Decker lader må kun benyttes til Black & Decker batterier af samme slags, som de med værktøjet leverede batterier. Andre batterier kan eksplodere og medføre personskader.
- ◆ Man må aldrig forsøge at oplade ikke opladelige batterier.
- ◆ Defekte ledninger skal straks udskiftes.
- ◆ Må ikke udsættes for vand.
- ◆ Laderen må ikke åbnes.
- ◆ Laderen må ikke manipuleres.

## ELEKTRISK SIKKERHED

Kontroller, om laderens spænding svarer til lysnettets spænding.



Laderen er dobbelt isoleret i henhold til EN 60335; jordledning er derfor ikke påkrævet.

**Advarsel!** Forsøg aldrig at udskifte laderenheden med et almindeligt netstik.

## Yderligere sikkerhedsanvisninger for håndholdte save

- ◆ Man skal altid benytte en klinge, der er velegnet til arbejdsemnets materiale samt den opgave, man ønsker at udføre.
- ◆ Brug kun klinger, der er i god stand.
- ◆ Man skal altid slukke værktøjet og vente, indtil klingen er standset, før man sætter værktøjet fra sig.
- ◆ Man skal holde hænderne langt væk fra klingen, når saven er i drift.
- ◆ Berør ikke savklingen umiddelbart efter, at den har været i gang, da den kan være varm.
- ◆ Forsøg ikke at save i meget små arbejdsemner.
- ◆ Før savning i vægge eller gulve skal man undersøge placeringer af eventuelle rør og ledninger.
- ◆ Værktøjet må ikke tændes, hvis savklingen sidder fast i arbejdsemnet, eller hvis den er i kontakt med materialet.
- ◆ Der må ikke udøves sidetryk på klingen.
- ◆ Hold altid værktøjet med begge hænder.
- ◆ Brug ikke dette værktøj, når du står i et træ, på en stige eller på en anden ustabil overflade.
- ◆ Ved oversavning af grene skal du være opmærksom på, hvor grenen vil falde.
- ◆ Vær særlig forsigtig ved savning i træ og metal, der kan afgive giftigt støv:
  - Bær en specielt designet støvmaske til beskyttelse mod giftigt støv og røg, og sørg for, at personer i eller ved adgangen til arbejdsområdet også er beskyttet.
  - Børn og gravide kvinder må ikke betræde arbejdsområdet.
  - Man må hverken spise, drikke eller ryge inden for arbejdsområdet.
  - Støvpartikler og andet affald skal bortskaffes på en sikker måde.

## Oversigt (fig. A)

1. Afbryder
2. Låseknap
3. Savklingeholder
4. Sål

5. Klingens klemmegreb
6. Batteri
7. Batteri-udløserknap
8. Lader
9. Opladerholder

## Montering

### Isætning og fjernelse af batteriet (fig. A)

- ◆ For at sætte batteriet (6) i, placeres det på linje med værktøjets batteriholder. Dernæst placeres batteriet i holderen og skubbes på plads.
- ◆ Tag batteriet ud ved at trykke på udløserknappen (7) samtidig med, at batteriet tages ud af batteriholderen.

### Montering af savklingen (fig. B)

- ◆ Hold fast om savklingen. Hvis savklingen er monteret med en tandbeskytter, skal denne sidde på, mens du monterer klingens klemmekonstruktion.
- ◆ Træk klingens klemmegreb (5) op for at udløse klingens klemmekonstruktion.
- ◆ Sæt savklingens skaft så langt ind i savklingeholderen (3), som den kan komme.
- ◆ Træk klingens klemmegreb (5) ned for at låse klingens klemmekonstruktion.
- ◆ Fjern tandbeskytteren, hvis der er en sådan.

Bemærk: Værktøjet er konstrueret på en sådan måde, at savklingerne kan monteres med tænderne pegende enten fremad eller bagud.

## Brug

### Opladning af batteriet (fig. A)

Batteriet skal oplades, før det tages i brug for første gang, samt når det ikke er i stand til at fremskaffe tilstrækkelig kraft til opgaver, som normalt udføres uden besvær. Når batteriet oplades for første gang eller efter en længere periode uden at være brugt, kan det kun oplades 80%. Efter adskillige opladnings- og afladningsperioder opnår batteriet fuld kapacitet. Batteriet kan blive opvarmet under opladning; dette er normalt og er ikke ensbetydende med, at der er problemer.

**Advarsel!** Batteriet må ikke oplades i omgivelsestemperaturer på under 4 °C eller over 40 °C.

Anbefalet opladningstemperatur: ca. 24 °C.

- ◆ Oplad batteriet (6) ved at fjerne det fra værktøjet.
- ◆ Skub opladerholderen (9) hen på batteriet som vist.
- ◆ Sæt opladeren (8) i stikkontakten.

Batteriet bliver varmt under opladningen. Efter ca. 3 timers opladning er batteriet tilstrækkeligt opladet til brug til generelle anvendelser. Efter ca. 6 timers opladning er batteriet fuldt opladet.

- ◆ Fjern opladerholderen fra batteriet.

### Tænding og slukning

- ◆ Tænd værktøjet ved at sætte låseknappen (2) i ulåst stilling og samtidig trykke på afbryderen (1).
- ◆ Sluk for værktøjet ved at slippe afbryderkontakten.

### Savning (fig. C)

- ◆ Hold altid værktøjet med begge hænder.
- ◆ Lad klingens klemmekonstruktion køre frit i et par sekunder, før savningen indledes.
- ◆ Tryk kun ganske let på værktøjet under savningen.
- ◆ Arbejd med sålen presset mod arbejdsemnet, hvis det er muligt. Dette vil gøre kontrollen over værktøjet bedre og reducere dets vibrationer, og det vil hindre klingens i at blive beskadiget.

### Gode råd for at få optimal anvendelse

#### Savning af træ

- ◆ Klem arbejdsemnet godt fast, og fjern alle søm og metalobjekter.
- ◆ Arbejd med sålen trykket mod arbejdsemnet, mens værktøjet holdes med begge hænder.

#### Hulsavning i træ

- ◆ Mål og marker det ønskede hulningsskær.
- ◆ Monter en klinge, der er velegnet til hulsavning.
- ◆ Hvil sålen på arbejdsemnet i en sådan stilling, at klingens former en passende vinkel til hulningen.
- ◆ Tænd for værktøjet og stik klingens ind i arbejdsemnet. Sørg for, at sålen hele tiden er i kontakt med arbejdsemnet.

#### Savning i metal

- ◆ Vær opmærksom på, at savning i metal tager meget længere tid end savning i træ.
- ◆ Brug en savklinge, der er beregnet til savning i metal. Brug en fintandet savklinge til jernholdige metaller og en grovere klinge til metaller uden jernindhold.
- ◆ Ved skæring i tyndt plademetall kan man spænde et stykke krydsfiner på bagsiden af arbejdsemnet og derefter skære tværs igennem disse to lag.
- ◆ Spred et tyndt lag olie langs med savlinjen.

#### Savning af grene

Grene på op til 25 mm i diameter kan savnes med dette værktøj. Advarsel! Brug ikke dette værktøj, når du står i et træ, på en stige eller på en anden ustabil overflade.



Vær opmærksom på, hvor grenen vil falde.

- ◆ Skær nedad og væk fra kroppen.
- ◆ Lav snittet tæt på hovedgrenen eller træstammen.

### Lodret savning

Værktøjet kan save tæt på hjørner og andre vanskelige områder.

- ◆ Sæt savklingens skaft ind i klingeholderen med tænderne på klingens pegende opad.
- ◆ Hold værktøjet med sålen vendende nedad, så du står så tæt ved arbejdsfladen som muligt.
- ◆ Skær fremad og væk fra kroppen.

### Tilbehør

Værktøjets ydeevne afhænger af, hvilket tilbehør der bruges. Black & Decker- og Piranha-tilbehør er konstrueret, så det opfylder høje kvalitetsstandarder, og det er beregnet til at forbedre værktøjets ydeevne. Bruger du dette tilbehør, vil du få det allerbedste ud af værktøjet.

### VEDLIGEHOJDELSE

Deres Black & Decker værktøj er designet til at være i drift gennem en længere periode med en minimal vedligeholdelse. Fortsæt tilfredsstillende drift afhænger af en korrekt behandling af værktøjet samt regelmæssig rengøring. Laderen kræver ingen anden vedligeholdelse end regelmæssig rengøring.

- ◆ **Advarsel!** Før udførelse af vedligeholdelsesopgaver på værktøjet, skal batteriet fjernes.
- ◆ **Advarsel!** Tag laderen ud af stikkontakten før den rengøres.
- ◆ Man skal regelmæssigt rengøre værktøjets ventilationshuller med en blød børste eller en tør klud.
- ◆ Man skal regelmæssigt rengøre motorkassen med en fugtig klud. Man må ikke benytte slibemidler eller opløsningsmidler.
- ◆ Kontroller jævnligt, at der ikke klæber støv til savklingeholderen. Brug en blød børste eller trykluft med lav intensitet til at rense savklingeholderen.

### MILJØ

#### Værktøj



Når dit værktøj er udtjent, beskyt da naturen ved ikke at smide det ud sammen med det almindelige affald. Aflever det til de opsamlingssteder, der findes i din kommune eller der hvor du købte værktøjet.

### Batterier



Black & Decker batterierne kan genoplades mange gange. Beskyt miljøet ved at aflevere de kasserede batterier på dertil beregnede opsamlingssteder.

- ◆ Aflad batteriet fuldstændigt og fjern det fra værktøjet.
- ◆ NiCd og NiMH batterier kan genbruges. Aflever dem til købsstedet eller til den lokale genbrugsstation. Genanvendelige batterier genbruges eller sendes til specielle behandlingsanlæg.

### Tekniske data

	KS1880S
Spænding	V <sub>DC</sub> 18
Antallet af strøg	min <sup>-1</sup> 0 - 3.000
Strøglængde	mm 22
Maks. skæredybde	mm
Træ	76
Stål	5
Aluminium	5
Grenbeskæring	ø 76
Kat. nr. batteri	A18
Vægt	kg 2,9

### Lader

Spænding	VAC 230
Opladningstid (ca.)	t 3

### EU-overensstemmelseserklæring

Black & Decker erklærer, at disse værktøjer er konstrueret i henhold til:  
98/37/EØF, 89/336/EØF, 73/23/EØF, EN 55014, EN 50260, EN 61000  
L<sub>PA</sub> (lydniveau): 83 dB(A), L<sub>WA</sub> (akustisk styrke) 94 dB(A),  
hånd/arm vægt vibration 8,35 m/s<sup>2</sup>

Colin Willis  
Director of Engineering  
BDCI, 4/F, 2 Dai Wang Street  
Tai Po Industrial Estate  
Tai Po NT, Hong Kong

### Reserve dele / reparationer

Reserve dele kan købes hos autoriserede Black & Decker serviceværksteder, som giver forslag til omkostninger og reparerer vore produkter. Oversigt over vore autoriserede værksteder findes på internettet på vor hjemmeside [www.blackdecker.dk](http://www.blackdecker.dk) samt [www.2helpU.com](http://www.2helpU.com).

## Garanti

Black & Decker garanterer, at produktet er fri for materielle skader og/eller fabrikationsfejl ved levering til kunden. Garantien er et tillæg til konsumentens lovlige rettigheder og påvirker ikke disse. Garantien gælder indenfor medlemsstaterne af den Europæiske Union og i det Europæiske Frihandelsområde.

Hvis et Black & Decker produkt går i stykker på grund af materiel skade og/eller fabrikationsfejl eller på anden måde ikke fungerer i overensstemmelse med specifikationen, inden for 24 måneder fra købsdatoen, påtager Black & Decker sig at reparere eller ombytte produktet med mindst muligt besvær for kunden.

Garantien gælder ikke for fejl og mangler, der er sket i forbindelse med:

- ◆ normal slitage
- ◆ uheldige følger efter unormal anvendelse af værktøjet
- ◆ overbelastning, hærværk eller overdrevent intensivt brug af værktøjet
- ◆ ulykkeshændelse

Garantien gælder ikke hvis reparationer er udført af nogen anden end et autoriseret Black & Decker værksted.

For at udnytte garantien skal produktet og købskvitteringen indleveres til forhandleren eller til et autoriseret værksted, senest 2 måneder efter at fejlen opdages. For information om nærmeste autoriserede værksted: kontakt det lokale Black & Decker kontor på den adresse som er opgivet i brugsanvisningen. Liste over alle autoriserede Black & Decker serviceværksteder samt servicevilkår er tilgængelig på internettet, på adressen **[www.2helpU.com](http://www.2helpU.com)**.

## Käyttötarkoitus

Black & Deckerin yleisassa on suunniteltu puun, puutuotteiden, metallin ja kipsilevymateriaalien sahaamiseen. Kone on tarkoitettu kotikäyttöön.

Black & Deckerin laturi on suunniteltu tämän työkalun mukana toimitetun Black & Decker -akun lataamiseen.

## Turvallisuusohjeet

- ◆ **Varoitus!** Akkukäyttöisiä koneita käytettäessä on aina noudatettava mm. seuraavia turvallisuusohjeita, jotta tulipalojen, akkuvuotojen, henkilövahinkojen ja materiaalivaurioiden riski olisi mahdollisimman pieni.
- ◆ Lue käyttöohje huolellisesti ennen koneen käyttöönottoa.
- ◆ Säilytä käyttöohje kaikkien koneen käyttäjien ulottuvilla.

### Pidä työskentelyalue siistinä

Poista roskat ja mahdolliset esteet työskentelyalueelta vältyväksesi vaurioilta.

### Ajattelle työskentelyalueen vaikutusta työhösi

Älä altista konetta sateelle äläkä käytä sitä kosteissa tai märissä paikoissa. Järjestä työskentelyalueelle hyvä valaistus. Älä käytä konetta paikassa, jossa on tulipalo- tai räjähdysvaara, esim. palaviin nesteiden tai kaasujen läheisyydessä.

### Työskentele lasten ulottumattomissa

Älä anna lasten, vieraiden tai eläinten tulla lähelle työskentelyaluetta tai koskea koneeseen.

### Pukeudu asianmukaisesti

Älä käytä liian väljiä vaatteita tai koruja. Ne voivat tarttua liikkuviin osiin. Käytä ulkona työskennellessäsi kumihansikkaita ja liukumattomia kenkiä. Jos sinulla on pitkiä hiukset, käytä hiusverkkoa.

### Suojavaatetus

Käytä aina suojalaseja. Käytä kasvosuojaa, jos työskennellessä syntyy pölyä tai hiukkasia. Käytä kuulosuojaimia, jos melutaso tuntuu epämukavalta.

### Älä kurottele

Seiso aina tukevasti ja tasapainossa.

### Ole tarkkaavainen

Keskity työhösi. Käytä tervettä järkeä. Älä käytä työkalua, kun olet väsynyt.

### Kiinnitä työstökappale kunnolla

Käytä ruuvipuristinta tai -kappaletta, jotta työstökappale pysyy kunnolla kiinni. Näin saat molemmat kädet vapaaksi työhön.

### Liitä pölynpoistolaitte

Jos laitteissa on liitántä pölynpoisto- ja pölynkeräyslaitteistolle, varmista, että ne on kiinnitetty ja niitä käytetään oikein. HUOM! Käytä ainoastaan teollisuuspölynimuria.

### Poista avaimet

Poista säätöavaimet ja asennustyökalut koneesta ennen kuin käynnistät sen.

## Käytä oikeaa konetta

Käytä konetta ainoastaan sellaiseen työhön, johon se on tarkoitettu. Käytä vain käyttöohjeessa ja tuotekuvastossa suositeltuja tarvikkeita ja lisälaitteita. Jonkin muun laitteen käyttö voi aiheuttaa onnettomuuden. Älä ylikuormita konetta.

### Tarkista, että kone on kunnossa

Tarkista ennen käyttöä, ettei kone ole vaurioitunut.

Tarkista, etteivät liikkuvat ja muut osat sekä suoja ole viallisia, ja että kaikki muut käyttöön mahdollisesti vaikuttavat tekijät ovat kunnossa. Varmista, että kone toimii oikein ja täyttää tehtävänsä. Älä käytä konetta, jos jokin sen osista on viallinen. Älä käytä konetta, jos se ei käynnisty ja pysähdy virrankatkaisijasta. Viallinen osa tulee korjata tai vaihtaa valtuutetussa Black & Deckerin huoltoliikkeessä. Älä koskaan yritä korjata konetta itse.

### Poista akku

Poista akku, kun konetta ei käytetä, ennen minkään koneen osan, tarvikkeen tai lisälaitteen vaihtamista, sekä ennen huoltoa.

### Vältä tahatonta käynnistämistä

Älä koskaan kanno konetta sormet kiinni virrankatkaisijassa. Varmista, että työkalu on kytketty pois päältä, kun laitat akun työkaluun.

### Huolehdi johdon kunnosta

Älä koskaan kanno laturia johdosta äläkä irrota pistoketta virtalähteestä vetämällä johdosta. Suojaa johto kuumuudelta, öljyltä ja teräviltä reunoilta.

### Säilytä konetta oikein

Kun kone ei ole käytössä, sen ja akun tulee olla varastoituna kuivaan paikkaan lasten ulottumattomissa.

### Hoida työkalua huolellisesti

Pidä työkalu puhtaana ja käytä teräviä teriä tehokasta ja turvallista työskentelyä varten. Noudata huollosta ja tarvikkeiden vaihdosta annettuja ohjeita. Pidä virrankatkaisija ja kädensijat kuivina ja puhtaina öljyltä ja rasvasta.

### Korjaukset

Tämä kone täyttää voimassa olevat turvallisuusvaatimukset. Korjauksia saa tehdä vain Black & Deckerin valtuuttama huoltoliike, joka käyttää alkuperäisosia. Muussa tapauksessa käyttäjä saattaa joutua vaaratilanteisiin.

## Lisäturvaohjeet akuille ja laturille

### Akut

- ◆ Älä koskaan yritä avata akkua.
- ◆ Älä altista akkua vedelle.
- ◆ Älä säilytä akkua paikassa, jonka lämpötila ylittää +40 °.
- ◆ Lataa akku ainoastaan lämpötilan ollessa +4 °C - +40 °C.
- ◆ Lataa akku käyttäen ainoastaan koneen mukana toimitettua laturia (ks. tekniset tiedot)
- ◆ Ennen lataamista varmista, että akku on kuiva ja puhdas.
- ◆ Käytä koneessa ainoastaan siihen tarkoitettua akkua (ks. tekniset tiedot).

- ◆ Kun poistat akun käytöstä, noudata kappaleessa "Ympäristö" annettuja ohjeita.
- ◆ Ääriolosuhteissa akku saattaa vuotaa. Jos havaitset akusta tulevan nestettä, toimi seuraavasti:
  - Kuivaa neste varovasti pois siivousliinalla. Vältä nesteen joutumista iholle.
  - Mikäli nestettä joutuu iholle tai silmiin, noudata alla olevia ohjeita:

**Varoitus!** Akkuneste (25-30 % kaliumhydroksidiliuosta) saattaa olla haitallista. Jos akkunestettä pääsee iholle, huuho se välittömästi vedellä. Neutralisoi akkuneste esim. etikalla tai sitruunamehulla. Jos akkunestettä joutuu silmiin, huuho silmiä runsaalla vedellä vähintään 10 minuuttia, ja ota heti yhteys lääkäriin.



Palovaara! Vältä, ettei irrotetun akun kontaktit mene oikosulkuun metallin kanssa (esim. säilytettäessä akkua työkalupakissa).



Älä polta akkuja.



Älä koskaan käytä viallisia akkuja.

## Laturi

- ◆ Käytä Black & Decker-laturia ainoastaan koneen mukana toimitetun akun lataamiseen. Muunlaiset akut saattavat räjähtää aiheuttaen henkilö- ja esinevahinkoja.
- ◆ Älä koskaan yritä ladata ei-ladattavia akkuja.
- ◆ Vaihda vialliset johdot välittömästi.
- ◆ Älä altista laturia vedelle.
- ◆ Älä avaa laturia.
- ◆ Älä vahingoita laturia.



Tarkoitettu vain sisäkäyttöön.

## SÄHKÖINEN TURVALLISUUS

Tarkista, että laturin jännite vastaa verkon jännitettä.



Laturisi on kaksoiseristetty EN 60335:n mukaisesti; siksi ei tarvita erillistä maadoitusta.

**Varoitus!** Lataa akku ainoastaan mukana toimitetulla laturilla.

## Lisäturvaohjeet käsisahalle

- ◆ Käytä aina sahanterää, joka sopii työstettävään materiaaliin sekä haluttuun sahausjälkeen.
- ◆ Käytä vain hyväkuntoisia sahanteriä.
- ◆ Pysäyttäessäsi koneen odota, että terän liike on kokonaan pysähtynyt ennen kuin lasket koneen käsistäsi.

- ◆ Pidä kätesi kaukana sahanterästä koneella työskennellessäsi.
- ◆ Älä kosketa sahanterää heti käytön jälkeen, sillä sahanterä voi olla kuuma.
- ◆ Älä koskaan sahaa kovin pieniä työstökappaleita.
- ◆ Selvitä putkien ja sähköjohtojen sijainnit ennen seinien ja lattioiden sahaamista.
- ◆ Älä koskaan kytkä konetta päälle, kun sahanterä on juuttunut työkappaleeseen tai kun se koskettaa materiaalia.
- ◆ Älä kohdista sahanterään sivuttaista painetta.
- ◆ Pidä koneesta aina kiinni kahdella kädellä.
- ◆ Älä käytä konetta ollessasi, tikkailla tai jollakin muulla epävakaaalla alustalla.
- ◆ Varo putoavia oksia, kun sahaat oksia.
- ◆ Ole erityisen varovainen sahatessasi puuta ja metalleja, joka voi tuottaa myrkyllistä pölyä:
  - Käytä erityismuotoiltua, myrkylliseltä pölyltä ja höyryiltä suojaavaa kasvusojusta. Varmista, että sekä työalueella olevat että sen läheisyyteen saapuvat ihmiset käyttävät suojusta.
  - Älä anna lasten tai raskaana olevien naisten olla työalueella.
  - Älä syö, juo tai tupakoi työalueella.
  - Hävitä pöly ja muu jäte ympäristöystävällisesti.

## Yleiskuvaus (kuva A)

1. Virrankatkaisija
2. Lukitusnappi
3. Terän pidike
4. Sahausjalka
5. Terän kiinnitysvipu
6. Akku
7. Akun vapautusnappi
8. Laturi
9. Laturiliitäntä

## Kokoaminen

### Akun kiinnittäminen ja poistaminen

- ◆ Kiinnitä akku (6) asettamalla se koneen liitännän kanssa samaan linjaan. Liu'uta akkua liitäntään, kunnes se lukittuu paikalleen.
- ◆ Poista akku painamalla vapautusnappia (7) samanaikaisesti, kun vedät akkua irti.

### Sahanterän asentaminen (kuva B)

- ◆ Pitele sahanterää tiukasti. Jos sahanterässä on terän suojus, jätä se paikalleen, kun asennat terää.
- ◆ Vedä terän kiinnitysvipua (5), kun haluat vapauttaa terän kiinnitysmekanismiin.
- ◆ Työnä sahanterän varsi teränpitimeen (3) niin pitkälle kuin se menee.
- ◆ Siirrä terän kiinnitysvipua (5) alaspäin, kun haluat lukita terän kiinnitysmekanismiin.

- ◆ Irrota mahdollinen terän suojus.

Huomio: Tämä työkalu on suunniteltu siten, että siihen voidaan asentaa sellaisia sahanteräiä, joiden hampaat osoittavat eteen- tai taaksepäin.

## Käyttö

### Akun lataaminen (kuva A)

Akku tulee ladata ennen ensimmäistä käyttökertaa ja aina silloin, kun se ei enää tuota riittävästi virtaa toimintoihin, jotka aikaisemmin hoituivat helposti. Ladatessasi akkua ensimmäistä kertaa tai pitkäaikaisen säilytyksen jälkeen, latautuu se vain 80 %:sesti. Usean lataamis- ja tyhjentyiskerran jälkeen akku saavuttaa täyden kapasiteettinsa. Akku voi lämmetä ladattaessa; tämä on normaalia eikä ole merkinä minkäänlaisesta ongelmasta.

**Varoitus!** Älä lataa akkua alle +4 °C tai yli +40 °C asteen lämpötiloissa. Suositeltu lämpötila lataamiseen on noin +24 °C.

- ◆ Irrota akku (6) koneesta lataamista varten.
- ◆ Liu'uta akku (9) laturiin kuvan mukaisesti.
- ◆ Liitä laturi (8) virtalähteeseen.

Akku lämpenee latauksen aikana. Akku on latautunut riittävän täyteen normaalia käyttöä varten noin 3 tunnin lataamisen jälkeen. Akku on latautunut täyteen noin 6 tunnin latauksen jälkeen.

- ◆ Poista akku laturista.

### Virran kytkeminen päälle/pois päältä

- ◆ Käynnistä kone painamalla lukitusnappi (2) avausasentoon ja paina virrankatkaisijaa (1).
- ◆ Sammuta kone päästämällä irti virrankatkaisijasta.

### Sahaaminen (kuva C)

- ◆ Pidä koneesta aina kiinni kahdella kädellä.
- ◆ Anna terän liikkua vapaasti muutaman sekunnin ajan ennen kuin aloitat sahaamisen.
- ◆ Paina työkalua vain kevyesti, kun sahaat.
- ◆ Paina sahausjalkaa työkalua vasten sahaamisen yhteydessä, jos tämä on mahdollista. Tämä parantaa työkalun hallintaa ja vähentää sen värinää. Lisäksi se estää terää vaurioitumasta.

## Parhaimman tuloksen saamiseksi

### Puun sahaaminen

- ◆ Kiinnitä työkalu tukevasti ja irrota kaikki naulat ja metalliesineet.
- ◆ Pitele työkalua molemmilla käsillä. Työskentele pitämällä sahausjalka painettuna työkalua vasten.

### Puun pistosahaus

- ◆ Mittaa ja merkitse vaadittu sahaus.
- ◆ Asenna pistosahaukseen sopiva sahanterä.
- ◆ Pidä sahausjalkaa työkalun päällä sellaisessa asennossa, että terä muodostaa asianmukaisen kulman pistosahausta varten.
- ◆ Kytke työkalu päälle ja syötä terä hitaasti työkaluun. Varmista, että sahausjalka on kosketuksissa työkalun kanssa koko ajan.

### Metallin sahaaminen

- ◆ Muista, että metallin sahaaminen kestää huomattavasti kauemmin kuin puun sahaaminen.
- ◆ Käytä metallin sahaamiseen sopivaa sahanterää. Käytä hienohampaista sahanterää, kun sahaat rautapitoisia metalleja. Käytä karkeampaa sahanterää, kun sahaat muita metalleja.
- ◆ Kun sahaat ohutta metallilevyä, kiinnitä levyn taustapuolelle puukappale. Sahaa sitten tämän "kokoontulon" läpi.
- ◆ Levitä ohut öljykerros sahausinjalle.

### Oksien sahaaminen

Tällä työkalulla voidaan sahata oksia, joiden halkaisija on enintään 25 mm.

**Varoitus!** Älä käytä konetta ollessasi, tikkailla tai jollakin muulla epävakaailla alustalla. Varo putoavia oksia.

- ◆ Leikkaa alaspäin ja pois päin kehostasi.
- ◆ Tee leikkaus lähelle pääoksa tai puunrunkoa.

### Sahaaminen pystysuunnassa

Koneen avulla voidaan sahata nurkkia ja muita vaikeita alueita.

- ◆ Työnnä sahanterän varsi teränpitimeen siten, että terän hampaat ovat ylöspäin.
- ◆ Pitele työkalua sahauskenkä alaspäin niin, että olet mahdollisimman lähellä työpintaa.
- ◆ Sahaa eteenpäin ja pois päin kehostasi.

## Tarvikkeet

Koneen käyttöalue riippuu käytettävästä tarvikkeesta.

Black & Decker- ja Piranha-tarvikkeet ovat korkealaatuisia. Käyttämällä näitä tarvikkeita saat koneestasi irti parhaan mahdollisen.

## Koneen hoito

Black & Deckerin kone on suunniteltu toimimaan mahdollisimman pitkän aikaa mahdollisimman vähällä huollolla. Oikealla huollolla ja säännöllisellä puhdistuksella kone säilyttää suorituskykynsä. Laturi ei tarvitse säännöllisen puhdistamisen lisäksi minkään muunlaista huoltoa.

- ◆ **Varoitus!** Poista akku koneesta ennen työkalun huoltamista.
- ◆ **Varoitus!** Irrota laturi virtalähteestä ennen puhdistamista.

- ◆ Puhdista koneen ilma-aukot säännöllisesti pehmeällä harjalla tai kivulla siivousliinalla.
- ◆ Puhdista moottorikotelo säännöllisesti kostealla rievulla. Älä koskaan käytä puhdistamiseen liuotainaineita tai syövyttäviä puhdistusaineita.
- ◆ Tarkista säännöllisesti, onko sahanterän pitimeen jäänyt sahauspölyä. Käytä pehmeää harjaa tai pienen paineen paineilmaa sahanterän pitimen puhdistamiseen.

## Ympäristö

### Kone



Kun koneesi on käytetty loppuun, älä heitä sitä tavallisten roskien mukana pois, vaan vie se paikakkantasi kierrätyskeskukseen tai jätä valtuutettuun Black & Deckerin huoltoliikkeeseen.

### Akut



Black & Deckerin akut voidaan ladata useita kertoja. Suojele luontoa viemällä loppuunkäytetyt akut niille tarkoitettuun keräyspaikkaan tai -astiaan.

- ◆ Käytä akku täysin loppuun ja poista se sitten työkalusta.
- ◆ NiCD ja NiMH -akut ovat kierrätettäviä. Voit viedä ne niille tarkoitettuun keräysastiaan tai paikalliseen kierrätyskeskukseen. Kerätyt akut toimitetaan kierrätykseen ja käsitellään asianmukaisesti.

### Tekniset tiedot

	KS1880S
Jännite	V <sub>DC</sub> 18
Iskuliikkeiden määrä	min <sup>-1</sup> 0 - 3.000
Iskunpituus	mm 22
Suurin sahauspyvyys	mm
Puu	76
Teräs	5
Alumiini	5
Karsiminen	Ø 76
Akun tuoteno	A18
Paino	kg 2,9

### Laturi

Jännite	V <sub>AC</sub> 230
Latausaika (noin)	h 3

## CE-vaatimustenmukaisuusvakuutus

Black & Decker vakuuttaa, että nämä työkalut ovat 98/37/EC, 89/336/EEC, 73/23/EEC, EN 55014, EN 50260, EN 61000 mukaiset.

L<sub>PA</sub> (äänenpaine): 83 dB(A), L<sub>WA</sub> (ääniteho) 94 dB(A),  
tärinätaajuuden painotettu geometrinen keskiarvo 8,35 m/s<sup>2</sup>

Colin Wills  
Director of Engineering  
BDCI, 4/F, 2 Dai Wang Street  
Tai Po Industrial Estate  
Tai Po NT, Hong Kong

## Korjaukset / varaosat

Mikäli koneeseen tulee vikaa, jätä se aina Black & Deckerin valtuuttamaan huoltoliikkeeseen korjattavaksi (tiedot löytyvät uusimmasta tuoteluettelostamme tai ottamalla yhteyttä Black & Decker Oy:hyn). Varaosia myyvät valtuutetut Black & Deckerin huoltoliikkeet, ja heiltä voi myös pyytää kustannusarvion koneen korjauksesta.

Tiedot valtuutetuista huoltoliikkeistä löytyvät myös internetistä osoitteesta [www.2helpU.com](http://www.2helpU.com) sekä kotisivuiltamme [www.blackdecker.fi](http://www.blackdecker.fi).

## Takuu

Black & Decker Oy takaa, ettei koneessa ollut materiaali- ja/ tai valmistusvikaa silloin, kun se toimitettiin ostajalle. Takuu on lisäksi kuluttajan laillisiin oikeuksiin eikä vaikuta niihin. Takuu on voimassa Euroopan Unionin jäsenmaissa ja Euroopan vapaakauppa-alueella (EFTA).

Mikäli Black & Decker -kone hajoaa materiaali- ja/tai valmistusvirheen tai teknisten tietojen epätarkkuuden vuoksi 24 kk:n kuluessa ostopäivästä, Black & Decker korjaa koneen ilman kustannuksia ostajalle tai vaihtaa sen uuteen Black & Decker Oy:n valinnan mukaan.

Takuu ei kata vikoja, jotka johtuvat koneen

- ◆ normaalista kulumisesta
- ◆ ylikuormituksesta, virheellisestä käytöstä tai hoidosta
- ◆ vahingoittamisesta vieraalla esineellä tai aineella tai onnettomuustapauksessa.

Takuu ei ole voimassa, mikäli konetta on korjannut joku muu kuin Black & Deckerin valtuuttama huoltoliike.

Edellytyksenä takuun saamiselle on, että ostaja jättää koneen ja ostokuitin jälleenmyyjälle tai valtuutetulle huoltoliikkeelle viimeistään 2 kuukauden kuluessa vian ilmenemisestä. Tiedot valtuutetuista huoltoliikkeistä saa ottamalla yhteyttä Black & Decker Oy:hyn sekä internetistä osoitteesta [www.2helpU.com](http://www.2helpU.com), jossa on myös takuehdot.

## Ενδεδειγμένη χρήση

Η σέγα της Black & Decker έχει σχεδιαστεί για πρόνισμα ξύλου, ξύλινων προϊόντων, μεταλλικών υλικών και υλικών με γύψο. Αυτό το εργαλείο προορίζεται μόνο για ερασιτεχνική χρήση.

Ο φορτιστής της Black & Decker έχει σχεδιαστεί για να φορτίζει μπαταρίες Black & Decker του τύπου που παρέχονται με αυτό το εργαλείο.

## Οδηγίες ασφαλείας

- ♦ **Προσοχή!** Κατά τη χρήση επαναφορτιζόμενων εργαλείων, θα πρέπει πάντα να λαμβάνονται οι βασικές προφυλαξίες ασφαλείας, για τον περιορισμό του κινδύνου πυρκαγιάς, διαρροής υγρού από μπαταρίες, σωματικών βλαβών και υλικών ζημιών.
- ♦ Πριν χρησιμοποιήσετε το εργαλείο διαβάστε προσεκτικά τις παρακάτω οδηγίες.
- ♦ Φυλάξτε το εγχειρίδιο αυτό για μελλοντική αναφορά.

### Διατηρείτε καθαρό το χώρο εργασίας

Ακατάστατοι χώροι και πάγκοι εγκυμονούν κίνδυνο τραυματισμού.

### Λάβετε υπ' όψη τις επιδράσεις του περιβάλλοντος

Μην εκθέτετε ηλεκτρικά εργαλεία σε υγρασία. Φροντίστε η περιοχή εργασίας να είναι καλά φωτισμένη. Μη χρησιμοποιείτε το εργαλείο αν υπάρχει κίνδυνος να προκληθεί πυρκαγιά ή έκρηξη, π.χ. κοντά σε εύφλεκτα υγρά και αέρια.

### Κρατάτε τα παιδιά σε απόσταση

Μην επιτρέπετε σε παιδιά, επισκέπτες ή ζώα να πλησιάζουν στο χώρο εργασίας ή να αγγίζουν το εργαλείο.

### Φοράτε τα κατάλληλα ρούχα εργασίας

Μη φοράτε φαρδιά ρούχα ή κοσμήματα. Υπάρχει πιθανότητα να παστούν σε κινούμενα μέρη μηχανών. Για υπαιθριές εργασίες συνιστώνται λαστιχένια γάντια και υποδήματα που δε γλιστρούν. Εάν έχετε μακριά μαλλιά φοράτε προστατευτικό δικτάκι.

### Ατομική προστασία

Φορέστε προστατευτικά γυαλιά. Φορέστε μάσκα προσώπου ή προστασίας από τη σκόνη, στις περιπτώσεις που η εργασία ενδέχεται να προκαλέσει την παραγωγή σκόνης ή αιωρούμενων σωματιδίων. Φοράτε ωτασπίδες σε περιπτώσεις που η στάθμη του θορύβου σας προκαλεί δυσφορία.

### Μη σκύβετε πάρα πολύ

Φροντίστε πάντοτε να έχετε την κατάλληλη στάση και να διατηρείτε την ισορροπία σας.

### Να είστε πάντα προσεκτικοί

Παρακολουθείτε την εργασία σας. Ενεργείτε λογικά.

Μη χρησιμοποιείτε το εργαλείο όταν είστε κουρασμένος.

### Στηρίξτε με ασφαλή τρόπο το αντικείμενο στο οποίο εργάζεστε

Χρησιμοποιείτε σφιγκτήρες ή μέγγενη για το σκοπό αυτό. Η μέθοδος αυτή είναι ασφαλέστερη και ελευθερώνει και τα δύο σας χέρια για το χειρισμό του εργαλείου.

## Συνδέστε τη συσκευή αφαίρεσης σκόνης

Εάν παρέχονται συσκευές για τη σύνδεση συσκευών αφαίρεσης και συλλογής σκόνης, βεβαιωθείτε ότι η σύνδεση και η χρήση τους γίνεται με τον ενδεδειγμένο τρόπο.

### Απομακρύνετε από το μηχάνημα τα κλειδιά που χρησιμοποιείτε για τη ρύθμισή του

Πριν βάλετε σε λειτουργία το εργαλείο, βεβαιωθείτε πάντα ότι έχετε βγάλει από αυτό τα κλειδιά για τη ρύθμισή του.

### Χρησιμοποιείτε το σωστό εργαλείο

Η ενδεδειγμένη χρησιμοποίηση αναφέρεται σε αυτές τις οδηγίες χρήσεως. Μη χρησιμοποιείτε εργαλεία χαμηλής ισχύος ή προσθήκες για βαριές εργασίες. Το εργαλείο σας θα λειτουργήσει επιτυχέστερα και ασφαλέστερα εάν χρησιμοποιηθεί σύμφωνα με της προδιαγραφές του. Μη ζορίζετε το εργαλείο.

**Προσοχή!** Τόσο η χρήση εξαρτημάτων ή προσθηκών όσο και η πραγματοποίηση εργασιών που δεν συνιστώνται στις οδηγίες αυτές εγκυμονεί κίνδυνο τραυματισμού.

### Ελέγχετε εάν το εργαλείο σας έχει θλάβες

Πριν από τη χρήση, ελέγξτε προσεκτικά το εργαλείο για τυχόν ζημιές. Ελέγξτε για τυχόν κακή ευθυγράμμιση και εμπλοκή των κινούμενων μερών, για μέρη που έχουν σπάσει, για τυχόν ζημιές στους προφυλακτήρες και τους διακόπτες, και γενικά κάθε είδους συνθήκες οι οποίες ενδέχεται να επηρεάσουν τη λειτουργία του εργαλείου. Βεβαιωθείτε ότι το εργαλείο λειτουργεί κανονικά και χρησιμοποιείται για το σκοπό για τον οποίο προορίζεται. Μη χρησιμοποιείτε το εργαλείο αν κάποιο εξάρτημά του παρουσιάζει ελάττωμα. Μη χρησιμοποιείτε το εργαλείο, εάν ο διακόπτης δεν μπορεί να το θέσει εντός ή εκτός λειτουργίας. Φροντίστε για την επισκευή ή αντικατάσταση τυχόν ελαττωματικών εξαρτημάτων από εξουσιοδοτημένο κέντρο επισκευών. Ποτέ μην επιχειρήσετε να επισκευάσετε οι ίδιοι το εργαλείο.

### Αφαιρέστε τη μπαταρία

Αφαιρέστε τη μπαταρία όταν το εργαλείο δεν χρησιμοποιείται, προτού αλλάξετε οποιοδήποτε ανταλλακτικό, παρελκόμενο ή εξάρτημα του εργαλείου, και πριν από τη συντήρησή του.

### Αποφύγετε την τυχαία εκκίνηση του εργαλείου

Μη μεταφέρετε το εργαλείο έχοντας το δάκτυλό σας πάνω στο διακόπτη εκκίνησης. Βεβαιωθείτε ότι κατά την εισαγωγή της μπαταρίας, το εργαλείο είναι σβηστό.

### Μην κακομεταχειρίζεστε το καλώδιο

Ποτέ μη μεταφέρετε το φορτιστή κρατώντας τον από το καλώδιο και μην τον τραβάτε από το καλώδιο για να το βγάλετε από την πρίζα. Φροντίστε το καλώδιο να παραμένει μακριά από τη θερμότητα, τα λάδια και από αιχμηρές ακμές.

### Φυλάγεται τα εργαλεία σας σε ασφαλές μέρος

Όταν δεν χρησιμοποιούνται, τα εργαλεία, φορτιστές και οι μπαταρίες πρέπει να αποθηκεύονται σε ξηρό χώρο, μακριά από τα παιδιά.

### Συντηρήστε προσεκτικά τα εργαλεία

Φροντίστε τα εργαλεία σας να είναι κοφτερά και καθαρά, ώστε να προσφέρουν υψηλή απόδοση και ασφάλεια κατά τη χρήση τους.

Ακολουθήστε τις σχετικές οδηγίες σε ότι αφορά τη συντήρηση και την αλλαγή των εξαρτημάτων. Φροντίστε οι λαβές και οι διακόπτες να είναι στεγνοί, καθαροί και χωρίς λάδια ή γράσα.

### Επισκευές

Το εργαλείο αυτό συμμορφώνεται με τις σχετικές προϋποθέσεις ασφαλείας. Οι επισκευές θα πρέπει να γίνονται μόνο από ειδικευμένους τεχνικούς και με τη χρήση αποκλειστικά γνήσιων ανταλλακτικών, διαφορετικά υπάρχει το ενδεχόμενο σοβαρού κινδύνου για το χρήστη.

### Επιπρόσθετες οδηγίες ασφαλείας για μπαταρίες και φορτιστές

#### Μπαταρίες

- Μην επιχειρήσετε ποτέ να την ανοίξετε, για κανένα λόγο.
- Μην την εκθέτετε σε νερό.
- Μην την αποθηκεύετε σε χώρους όπου η θερμοκρασία μπορεί να υπερβεί τους 40 °C.
- Να τη φορτίζετε μόνο σε θερμοκρασία περιβάλλοντος μεταξύ 4 °C και 40 °C.
- Η φόρτιση πρέπει να γίνεται μόνο με το φορτιστή που συμπεριλαμβάνεται με το εργαλείο (βλ. τεχνικά χαρακτηριστικά).
- Πριν από τη φόρτιση, βεβαιωθείτε ότι η μπαταρία είναι στεγνή και καθαρή.
- Χρησιμοποιήστε μόνο το σωστό για το εργαλείο τύπο μπαταρίας (βλ. τεχνικά χαρακτηριστικά).
- Σε ότι αφορά την απόρριψη των μπαταριών, ακολουθήστε τις οδηγίες που παρατίθενται στην ενότητα "Περιβάλλον".
- Σε περίπτωση έκθεσης σε ακραίες συνθήκες, η μπαταρία ενδέχεται να παρουσιάσει διαρροή. Αν παρατηρήσετε υγρά στην μπαταρία, ενεργήστε ως ακολούθως:
  - Σκουπίστε προσεκτικά τα υγρά με ένα πανί. Αποφύγετε την επαφή με το δέρμα.
  - Σε περίπτωση επαφής με το δέρμα ή τα μάτια, ακολουθήστε τις παρακάτω οδηγίες.

**Προσοχή!** Το υγρό μπαταριών, ένα διάλυμα 25-30% υδροξειδίου του καλίου, μπορεί να είναι βλαβερό. Σε περίπτωση δερματικής επαφής, Ξεπλύνετε αμέσως με νερό. Εξουδετερώστε με ήπιο οξύ όπως χυμός λεμονιού ή ξίδι. Σε περίπτωση επαφής με τα μάτια, Ξεπλύνετε με άφθονο καθαρό νερό για 10 λεπτά τουλάχιστον. Συμβουλευτείτε γιατρό.



Κίνδυνος πυρκαϊάς! Αποφύγετε βραχυκύκλωμα με μέταλλο των επαφών της μπαταρίας (π.χ. κλειδιά που είναι στην ίδια τσέπη με την μπαταρία).



Μην καίτε την μπαταρία.



Μην φορτίζετε κατεστραμμένες μπαταρίες.

#### Φορτιστές

- Χρησιμοποιήστε μόνο το φορτιστή της Black & Decker για τη φόρτιση μπαταριών του τύπου που συνοδεύει το εργαλείο σας. Σε άλλες μπαταρίες ενδέχεται να σημειωθεί διάρρηξη τους, προκαλώντας τραυματισμό και ζημιά.
- Μην επιχειρήσετε ποτέ να επαναφορτίσετε μη επαναφορτιζόμενες μπαταρίες.
- Αντικαταστήστε αμέσως τα ελαττωματικά καλώδια.
- Μην τον εκθέτετε σε νερό.
- Μην ανοίγετε το φορτιστή.
- Μη σκαλίζετε το φορτιστή.



Προορίζεται μόνο για χρήση σε κλειστούς χώρους.

### ΗΛΕΚΤΡΙΚΗ ΑΣΦΑΛΕΙΑ

Βεβαιωθείτε ότι η τάση του φορτιστή σας αντιστοιχεί με την τάση του δικτύου σας.



Ο φορτιστής σας φέρει διπλή μόνωση κατά EN 60335. Κατά συνέπεια δε χρειάζεται καλώδιο γείωσης.

**Προσοχή!** Ποτέ μην επιχειρήσετε να υποκαταστήσετε το φορτιστή με κοινή πρίζα ρεϊμάτος.

#### Πρόσθετες οδηγίες ασφαλείας για σέγες χειρός

- Να χρησιμοποιείτε πάντα τον ενδεδειγμένο τύπο πριονόλαμας για το συγκεκριμένο τεμάχιο εργασίας και για το είδος της κοπής.
- Να χρησιμοποιείτε μόνο πριονόλαμες που βρίσκονται σε άριστη κατάσταση.
- Να σβήνετε πάντα το εργαλείο και να περιμένετε να σταματήσει η πριονόλαμα τελείως πριν ακουμπήσετε το εργαλείο κάτω.
- Κατά την εργασία, φροντίστε τα χέρια σας να βρίσκονται αρκετά μακριά από την πριονόλαμα.
- Μην αγγίζετε την πριονόλαμα αμέσως μετά τη λειτουργία γιατί μπορεί να είναι ζεστή.
- Μην επιχειρήσετε να πριονίσετε πολύ μικρά αντικείμενα.
- Πριν το πριόνισμα σε τοίχους ή πατώματα, να προσέχετε μην τυχόν υπάρχουν κρυμμένοι αγωγοί και καλώδια.
- Ποτέ μην θέτετε το εργαλείο σε λειτουργία όταν η πριονόλαμα είναι μπλοκαρισμένη μέσα στο υπό κατεργασία αντικείμενο ή όταν είναι σε επαφή με το υλικό.
- Μην ασκείτε πλευρική πίεση πάνω στην πριονόλαμα.
- Πάντα να κρατάτε το εργαλείο και με τα δυο χέρια.
- Μην χρησιμοποιείται το εργαλείο, όταν στέκεστε πάνω σε δέντρο, σε σκάλα ή άλλες ασταθείς επιφάνειες.



- ♦ Όταν κόβετε κλαδιά, προσέξτε σε ποιο σημείο θα πέσουν.
- ♦ Να προσέχετε ιδιαίτερα κατά το πριόνισμα ξύλων και μετάλλων διότι μπορεί να προκληθεί τοξική σκόνη:
  - Φορέστε μάσκα σκόνης ειδικά σχεδιασμένη για προστασία έναντι της τοξικής σκόνης και των αναθυμιάσεων από χρώματα με μόλυβδο και βεβαιωθείτε ότι τα άτομα που βρίσκονται, ή εισέρχονται, στο χώρο εργασίας είναι επίσης προστατευμένα.
  - Μην επιτρέπετε σε παιδιά ή εγκύους να εισέρχονται στο χώρο εργασίας.
  - Μην τρώτε, πίνετε ή καπνίζετε στο χώρο εργασίας.
  - Αφαιρέστε όλα τα σωματίδια της σκόνης και τα άλλα υπολείμματα.

## Γενική περιγραφή (εικ. Α)

1. Διακόπτης on/off
2. Μπουτόν απασφάλισης
3. Υποδοχή δίσκου
4. Πέλημα
5. Μοχλός σύσφιξης λεπίδας
6. Μπαταρία
7. Κομπι απέλευθέρωσης μπαταρίας
8. Φορτιστής
9. Υποδοχή φορτιστή

## Συναρμολόγηση

### Τοποθέτηση και αφαίρεση της μπαταρίας (εικ. Α)

- ♦ Για να τοποθετήσετε την μπαταρία (6), ευθυγραμμίστε την με την υποδοχή πάνω στο εργαλείο. Ολισθήστε την μπαταρία μέσα στην υποδοχή και σπρώξτε μέχρις ότου η μπαταρία κουμπώσει στη θέση της.
- ♦ Για να αφαιρέσετε τη μπαταρία, σπρώξτε το κουμπι απέλευθέρωσης (7) και τραβήξτε ταυτόχρονα τη μπαταρία έξω από την υποδοχή.

### Προσαρμογή της πριονόλαμας (εικ. Β)

- ♦ Κρατήστε σταθερά τον δίσκο. Αν ο δίσκος έχει εφοδιαστεί με προστατευτικό οδόντων, μην το αφαιρείτε όταν τοποθετείτε τον δίσκο.
- ♦ Τραβήξτε τον μοχλό σύσφιξης λεπίδας (5) προς τα επάνω για να απελευθερώσετε τον μηχανισμό σύσφιξης λεπίδας.
- ♦ Τοποθετήστε το στέλεχος της πριονόλαμας στην υποδοχή της λάμας (3) όσο πιο πολύ γίνεται.
- ♦ Μετακινήστε τον μοχλό σύσφιξης λεπίδας (5) προς τα κάτω για να κλειδώσει τον μηχανισμό σύσφιξης λεπίδας.
- ♦ Αφαιρέστε το προστατευτικό οδόντων, αν υπάρχει.

**Σημείωση:** Αυτό το εργαλείο έχει σχεδιαστεί, έτσι ώστε οι δίσκοι να τοποθετούνται με τους οδόντες σε εμπρόσθια ή οπίσθια κατεύθυνση.

## Χρήση

### Φόρτιση της μπαταρίας (εικ. Α)

Η μπαταρία πρέπει να φορτιστεί πριν από την πρώτη χρήση και όποτε δεν μπορεί να παράγει αρκετή ισχύ για εργασίες που παλαιότερα εκτελούνταν με ευκολία. Όταν η μπαταρία φορτίζεται για πρώτη φορά ή μετά από παρατεταμένη αποθήκευση, θα φορτιστεί μόνο κατά το 80%. Μετά από μερικούς κύκλους φόρτισης και αποφόρτισης, η μπαταρία θα αποκτήσει πλήρη χωρητικότητα. Η μπαταρία μπορεί να ζεσταθεί κατά τη φόρτιση της. Αυτό είναι φυσιολογικό και δεν είναι ενδεικτικό κάποιου προβλήματος.

**Προσοχή!** Μην φορτίζετε τη μπαταρία σε θερμοκρασίες περιβάλλοντος κάτω των 4 °C ή άνω των 40 °C. Συνιστώμενη θερμοκρασία φόρτισης: περίπου 24 °C.

- ♦ Για να φορτίσετε τη μπαταρία (6), αφαιρέστε την από το εργαλείο.
- ♦ Ολισθήστε την υποδοχή φορτιστή (9) επάνω στην μπαταρία, όπως εικονίζεται.
- ♦ Βάλτε το φορτιστή (8) στην πρίζα.

Κατά τη φόρτιση, η μπαταρία θα ζεσταθεί. Μετά από περίπου 3 ώρες φόρτισης, η μπαταρία θα είναι ικανοποιητικά φορτισμένη για χρήση σε κανονικές εφαρμογές. Μετά από φόρτιση περίπου 6 ωρών, η μπαταρία θα είναι τελείως φορτισμένη.

- ♦ Αφαιρέστε την υποδοχή φόρτισης από την μπαταρία.

### Για να θέσετε τη συσκευή σε λειτουργία και εκτός λειτουργίας

- ♦ Για να θέσετε σε λειτουργία το εργαλείο, μετακινήστε το κουμπι απασφάλισης (2) στη θέση ξεκλειδώματος και πιέστε τον διακόπτη ενεργοποίησης/ απενεργοποίησης (1).
- ♦ Για να σβήσετε το εργαλείο, αφήστε το διακόπτη on/off.

### Πριόνισμα (εικ. C)

- ♦ Πάντα να κρατάτε το εργαλείο και με τα δυο χέρια.
- ♦ Αφήστε τη λεπίδα να κινηθεί ελεύθερα για μερικά δευτερόλεπτα πριν αρχίσετε το πριόνισμα.
- ♦ Ασκήστε μόνο ελαφρά πίεση πάνω στο εργαλείο ενώ εκτελείτε το πριόνισμα.
- ♦ Εάν είναι δυνατό, εργαστείτε με το πόδι σας να ασκεί πίεση στο υπό κατεργασία αντικείμενο. Αυτό θα βελτιώσει τον έλεγχο του εργαλείου και θα μειώσει τις δονήσεις, ενώ παράλληλα αποτρέπεται η πρόκληση ζημιών στην λεπίδα.

### Συμβουλές για άριστη χρήση

#### Πριόνισμα ξύλου

- ♦ Στερεώστε καλά το προς κατεργασία αντικείμενο και αφαιρέστε όλα τα καρφιά και τα μεταλλικά αντικείμενα.

- ♦ Κρατώντας το εργαλείο και με τα δύο χέρια, εργαστείτε με το πόδι να κρατάει κόντρα στο υπό κατεργασία αντικείμενο.

### Κοίλη κοπή σε Ξύλο

- ♦ Μετρήστε και μαρκάρετε την κοίλη κοπή που θέλετε να κάνετε.
- ♦ Προσαρμόστε μια πριονόλαμα που είναι κατάλληλη για κοίλες κοπές.
- ♦ Ακουμπήστε το πόδι σας πάνω στο υπό κατεργασία αντικείμενο κατά τρόπο τέτοιο ώστε η λεπίδα να σχηματίζει κατάλληλη γωνία για κοίλη κοπή.
- ♦ Θέστε σε λειτουργία το εργαλείο και εισάγετε αργά την λεπίδα μέσα στο υπό κατεργασία αντικείμενο. Βεβαιωθείτε ότι το πόδι σας παραμένει σε συνεχή επαφή με το υπό κατεργασία αντικείμενο.

### Πριόνισμα μετάλλου

- ♦ Λάβετε υπόψη, ότι το πριόνισμα μετάλλου απαιτεί περισσότερο χρόνο από ό,τι το πριόνισμα ξύλου.
- ♦ Να χρησιμοποιείτε πριονόλαμα κατάλληλη για πριόνισμα μετάλλου. Χρησιμοποιήστε δίσκο με λεπτούς οδόντες για σιδηρούχα μέταλλα και τραχύ δίσκο για μη σιδηρούχα μέταλλα.
- ♦ Όταν πριονίζετε λεπτή λαμαρίνα, στερεώστε ένα κομμάτι ξύλο στην πίσω επιφάνεια του τεμαχίου εργασίας και πριονίστε το όλο μαζί.
- ♦ Απλώστε ένα λεπτό στρώμα λαδιού κατά μήκος της γραμμής κοπής.

### Κοπή κλαδιών

Με αυτό το εργαλείο μπορείτε να κόψετε κλαδιά με διάμετρο έως 25 mm.

**Προσοχή!** Μην χρησιμοποιείται το εργαλείο, όταν στέκεστε πάνω σε δέντρο, σε σκάλα ή άλλες ασταθείς επιφάνειες. Προσέξτε σε ποιο σημείο θα πέσουν τα κλαδιά.

- ♦ Κόβετε προς τα κάτω και σε απόσταση από το σώμα σας.
- ♦ Βεβαιωθείτε ότι κλείσατε το κεντρικό παρακλάδι ή το κυρίως σώμα.

### Κάθετη κοπή

Το εργαλείο σας επιτρέπει να κοπές σε κοντινή απόσταση σε γωνίες και άλλα δύσκολα σημεία.

- ♦ Εισάγετε το στέλεχος της πριονόλαμας στη λαβή της λεπίδας με τα δόντια της λεπίδας να κοιτούν προς τα επάνω.
- ♦ Κρατήστε το εργαλείο με το πόδι να κοιτάει προς τα κάτω έτσι ώστε να είστε όσο το δυνατό πιο κοντά στην επιφάνεια εργασίας.
- ♦ Κόβετε προς τα εμπρός και σε απόσταση από το σώμα σας.

## Εξαρτήματα

Η απόδοση του εργαλείου σας εξαρτάται από τα εξαρτήματα που χρησιμοποιείτε. Τα εξαρτήματα Black & Decker και Ridgah είναι σχεδιασμένα σύμφωνα με πρότυπα υψηλής ποιότητας για να βελτιώνουν την απόδοση του εργαλείου σας. Χρησιμοποιώντας τα θα επιτύχετε τη βέλτιστη απόδοση του εργαλείου.

## ΣΥΝΤΗΡΗΣΗ

Αυτό το εργαλείο της Black & Decker έχει σχεδιαστεί έτσι ώστε να λειτουργεί για μεγάλο χρονικό διάστημα με την ελάχιστη δυνατή φροντίδα. Η αδιάλειπτη και κανονική λειτουργία του εξαρτάται από τη φροντίδα του εργαλείου και τον τακτικό καθαρισμό του.

Ο φορτιστής σας δεν απαιτεί καμία συντήρηση εκτός από τον τακτικό καθαρισμό του.

- ♦ **Προσοχή!** Πριν εκτελέσετε οποιαδήποτε εργασία συντήρησης στο εργαλείο, αφαιρέστε τη μπαταρία από το εργαλείο.
- ♦ **Προσοχή!** Βγάλετε το φορτιστή από την πρίζα πριν τον καθαρίσετε.
- ♦ Καθαρίζετε τακτικά τις οπές εξερισμού στο εργαλείο σας με μια βούρτσα με μαλακές τρίχες ή με ένα στεγνό πανί.
- ♦ Καθαρίζετε τακτικά το περίβλημα του μοτέρ με ένα υγρό πανί. Μην χρησιμοποιείτε γυαλιστικά ή υγρά καθαρισμού με βάση διαλυτικά.
- ♦ Ελέγχετε τακτικά για πριονίδια που κολλούν στην λαβή της πριονόλαμας. Χρησιμοποιήστε μια μαλακή βούρτσα ή αέρα χαμηλής πίεσης για να καθαρίσετε τη λαβή της πριονόλαμας.

## ΠΡΟΣΤΑΣΙΑ ΤΟΥ ΠΕΡΙΒΑΛΛΟΝΤΟΣ

### Εργαλεία



Η Black & Decker δίνει τη δυνατότητα ανακύκλωσης των προϊόντων και των επαναφορτιζόμενων μπαταριών της που έχουν συμπληρώσει τη διάρκεια ζωής τους. Η υπηρεσία αυτή είναι δωρεάν. Αν θέλετε να χρησιμοποιήσετε την εν λόγω υπηρεσία, επιστρέψτε το προϊόν σας σε οποιοδήποτε εξουσιοδοτημένο κέντρο επισκευών, όπου θα το παραλάβουν εκ μέρους σας.

### Μπαταρίες



Οι μπαταρίες Black & Decker μπορούν να επαναφορτιστούν πολλές φορές. Όταν πλέον δεν μπορούν να ξαναχρησιμοποιηθούν, απορρίψτε τις με τρόπο κατάλληλο για το περιβάλλον:

- ◆ Εξαντλήστε πλήρως τη μπαταρία και μετά αφαιρέστε την από το εργαλείο.
- ◆ Οι μπαταρίες NiCd και NiMH είναι ανακυκλώσιμες. Στείλτε τις σε κάποιο εξουσιοδοτημένο κέντρο επισκευών ή στον τοπικό σας σταθμό ανακύκλωσης.

Ενημερωθείτε για το πλησιέστερο κέντρο επισκευών της περιοχής σας, επικοινωνώντας με τα γραφεία της Black & Decker στη διεύθυνση που αναγράφεται στο εγχειρίδιο.

Επίσης, για να πληροφορηθείτε τα εξουσιοδοτημένα κέντρα επισκευών της Black & Decker και τις λεπτομέρειες και τους αρμόδιους των υπηρεσιών που παρέχονται μετά την πώληση, μπορείτε ανατρέξετε στο Διαδίκτυο στη διεύθυνση:

[www.2helpU.com](http://www.2helpU.com).

### Τεχνικά χαρακτηριστικά

	KS1880S
Τάση	$V_{DC}$ 18
Αριθμός διαδρομών	$min^{-1}$ 0 - 3.000
Μήκος κοπής	mm 22
Μέγιστο βάθος κοπής	mm
Ξύλο	76
Χάλυβας	5
Αλουμίνιο	5
Κλάδεμα	$\varnothing$ 76
Κωδ. καταλόγου μπαταρία	A18
Βάρος	kg 2,9

### Φορτιστής

Τάση δικτύου	$V_{AC}$ 230
Χρόνος φόρτισης κατά προσέγγιση	h 3

### Δήλωση συμμόρφωσης ΕΚ

Black & Decker δηλώνει ότι αυτά τα ηλεκτρικά εργαλεία σχεδιάστηκαν σύμφωνα με:

98/37/ΕΟΚ, 89/336/ΕΟΚ, 73/23/ΕΟΚ, EN 55014, EN 50260, EN 61000

$L_{PA}$  (ηχητική πίεση): 83 dB(A),  $L_{WA}$  (ακουστική δύναμη) 94 dB(A), σταθμισμένος τετραγωνικός μέσος όρος επιτάχυνσης 8,35  $m/s^2$



Colin Wills  
Director of Engineering  
BDCI, 4/F, 2 Dai Wang Street  
Tai Po Industrial Estate  
Tai Po NT, Hong Kong

### Εγγύηση

Η Black & Decker είναι σίγουρη για την ποιότητα των προϊόντων της και παρέχει σημαντική εγγύηση. Η παρούσα γραπτή εγγύηση αποτελεί πρόσθετο δικαίωμά σας και δεν ζημιώνει τα συνταγματικά σας δικαιώματα. Η εγγύηση ισχύει εντός της επικράτειας των Κρατών Μελών της Ευρωπαϊκής Ένωσης και της Ευρωπαϊκής Ζώνης Ελευθέρων Συναλλαγών.

Σε περίπτωση που κάποιο προϊόν της Black & Decker παρουσιάσει βλάβη εξαιτίας ελαττωματικών υλικών, ποιότητας εργασίας ή έλλειψης συμφωνίας με τις προδιαγραφές εντός 24 μηνών από την ημερομηνία αγοράς, η Black & Decker εγγυάται την αντικατάσταση των ελαττωματικών τμημάτων, την επισκευή προϊόντων που έχουν υποστεί εύλογη φθορά λόγω χρήσης ή την αντικατάσταση των προϊόντων προκειμένου να εξασφαλιστεί την ελάχιστη ενόχληση στους πελάτες της, εκτός αν:

- ◆ Το προϊόν έχει χρησιμοποιηθεί σε εργασιακό, επαγγελματικό περιβάλλον ή αν έχει εννοικιαστεί
- ◆ Έχει γίνει εσφαλμένη χρήση του προϊόντος ή αν έχει παραμεληθεί
- ◆ Το προϊόν έχει υποστεί βλάβη από άλλα αντικείμενα, από ουσίες ή λόγω ατυχήματος
- ◆ Έχει γίνει προσπάθεια επισκευής από μη εξουσιοδοτημένα κέντρα επισκευών ή από προσωπικό που δεν ανήκει στο προσωπικό της Black & Decker

Για να ισχύσει η εγγύηση, πρέπει να υποβάλετε απόδειξη αγοράς στον πωλητή ή το εξουσιοδοτημένο κέντρο επισκευών. Ενημερωθείτε για το πλησιέστερο κέντρο επισκευών της περιοχής σας, επικοινωνώντας με τα γραφεία της Black & Decker στη διεύθυνση που αναγράφεται στο εγχειρίδιο. Επίσης, για να πληροφορηθείτε για τα εξουσιοδοτημένα κέντρα επισκευών της Black & Decker, τις λεπτομέρειες και τους αρμόδιους των υπηρεσιών που παρέχονται μετά την πώληση, μπορείτε να ανατρέξετε στο Διαδίκτυο στη διεύθυνση: [www.2helpU.com](http://www.2helpU.com).





<b>Australia</b>	DeWALT Industrial Power Tool Company 7 Clarice Road, Box Hill, Victoria 3128	Tel. 03 9895 9200 Fax 03 9899 7465
<b>Belgique/België</b>	Black & Decker (Belgium) N.V. Campus Noord, Schaliënhoeverdreef 20E 2800 Mechelen	Tel. 015 - 47 92 11 Fax 015 - 47 92 10
<b>Danmark</b>	Black & Decker Hejrevang 26B, 3450 Allerød Internet: www.blackdecker.dk	Tel. 70 20 15 10 Fax 48 14 63 30
<b>Deutschland</b>	Black & Decker GmbH Black & Decker Str. 40, D - 65510 Idstein	Tel. 06126/21 - 0 Fax 06126/21 22 22
<b>Ελλάς</b>	Black & Decker (Ελλάς) Α.Ε. Στράβωνος 7 & Λ. Βουλιαγμένης 159 166 74 Γλυφάδα, Αθήνα	Τηλ. (210) 898 1616 Τηλ. (210) 898 3570 Φαξ Σέρβις (210) 898 3285
<b>España</b>	Black & Decker Ibérica, S.C.A. Parque de Negocios "Mas Blau" Edificio Muntadas, c/Bergadá, 1, Of. A6 08820 El Prat de Llobregat (Barcelona)	Tel. 934 797 400 Fax 934 797 419
<b>France</b>	Black & Decker (France) S.A.S. B.P. 21, 69571 Dardilly Cédex	Tel. 04 72 20 39 20 Fax 04 72 20 39 00
<b>Helvetia</b>	RÖFO AG Gewerbezone Seeblick 3213 Kleinbödingen	Tel. 026-6749391 Fax 026-6749394
<b>Italia</b>	Black & Decker Italia SpA Viale Elvezia 2 20052 Monza (MI)	Tel. 039-23871 Fax 039-2387592/2387594 Numero verde 800-213935
<b>Nederland</b>	Black & Decker (Nederland) BV Florijnstraat 10, 4879 AH Etten-Leur	Tel. 076-5082000 Fax 076-5038184
<b>New Zealand</b>	Black & Decker 81 Hugo Johnston Drive Penrose, Auckland, New Zealand	Tel. 09 579 7600 Fax 09 579 8200
<b>Norge</b>	Black & Decker (Norge) A/S Postboks 248, Leirdal, 1011 Oslo Internet: www.blackdecker.no	Tlf. 22 90 99 00 Fax 22 90 99 01
<b>Österreich</b>	Black & Decker Vertriebsges.m.b.H Erlaaerstraße 165, 1231 Wien	Tel. 01 66116-0 Fax 01 66116-14
<b>Portugal</b>	Black & Decker Rua Egas Moniz 173 S. João do Estoril 2766-651, Estoril	Tel. 214667500 Fax 214667575
<b>Suomi</b>	Black & Decker Oy Palotie 3, 01610 Vantaa Black & Decker Oy, Brandvägen 3, 01610 Vanda	Puh: (09) 825 4540 Fax: (09) 8254 5444 Tel: (09) 825 4540 Fax: (09) 8254 5444
<b>Sverige</b>	Black & Decker AB Box 603, 421 26 Västra Frölunda, Besöksadr. Ekonomivägen 11	Tel: 031-68 60 00 Fax: 031-68 60 08
<b>Türkiye</b>	Black & Decker Merkez Servis Dudullu Cad. Kerembey Sok. No. 1 Küçükbakkalköy/Istanbul	Tel. 0216 455 89 73 Faks 0216 455 20 52
<b>United Kingdom</b>	Black & Decker 210 Bath Road Slough, Berkshire SL1 3YD	Tel. 01753 511234 Fax 01753 551155 Helpline 01753 574277

Dealer address  
Händleradresse  
Cachet du revendeur  
Indirizzo del rivenditore  
Adres van de dealer  
Dirección del detallista  
Morada do revendedor  
Återförsäljarens adress  
Forhandlens adresse  
Forhandler adresse  
Jälleenmyyjän osoite  
Διεύθυνση αντιπροσώπου

◆ Name ◆ Nom ◆ Nome  
◆ Naam ◆ Nombre ◆ Nome ◆ Namn  
◆ Navn ◆ Navn ◆ Nimi ◆ Ovojme:

◆ Address ◆ Adresse ◆ Adresse ◆ Indirizzo ◆  
Adres ◆ Dirección ◆ Morada ◆ Address ◆  
Adresse ◆ Adresse ◆ Osoite ◆ Διεύθυνση:

◆ Town ◆ Ort ◆ Ville ◆ Città ◆ Plaats  
◆ Ciudad ◆ Localidade ◆ Ort ◆ By ◆ By  
◆ Paikkakunta ◆ Πόλη:

◆ Postal code ◆ Postleitzahl ◆ Code postal ◆  
Codice postale ◆ Postcode  
◆ Código ◆ Código postal ◆ Postnr.  
◆ Postnr. ◆ Postnr. ◆ Postnummero  
◆ Κωδικός

◆ Is this tool a gift? ◆ Ist dieses Gerät ein  
Geschenk? ◆ S'agit-il d'un cadeau? ◆ Si tratta  
di un regalo? ◆ Kreeg u de machine als cadeau?  
◆ ¿Ha recibido usted esta herramienta como  
regalo? ◆ Reçebeu esta ferramenta como  
presente? ◆ Är verktyget en gåva?  
◆ Er verktoyet en gave? ◆ Er verktojet en gave?  
◆ Onko kone lahja? ◆ Το εργαλείο είναι δώρο?

◆ Yes ◆ Ja ◆ Oui ◆ Si ◆ Ja ◆ Si ◆  
◆ Sim ◆ Ja ◆ Ja ◆ Ja ◆ Kyllä ◆ Nαι  
 ◆ No ◆ Nein ◆ Non ◆ No ◆ Nee  
◆ No ◆ Não ◆ Nej ◆ Nei ◆ Nej  
◆ Ei ◆ Oxi

◆ Is this tool your first purchase? ◆ Ist dieses  
Gerät ein Erstkauf? ◆ Est-ce un 1er achat? ◆ Is  
Questo prodotto è il suo primo acquisto? ◆ Is  
deze machine uw eerste aankoop? ◆ ¿Es esta  
herramienta la primera de este tipo?  
◆ Esta ferramenta é a primeira compra? ◆  
Är detta ditt första B&D-verktyg? ◆ Er dette ditt  
første B&D verktoyet? ◆ Er dette dit første B&D  
verktojet? ◆ Onko tämä ensimmäinen B&D-

Date of purchase  
Kaufdatum  
Date d'achat  
Data d'acquisto  
Aankoopdatum  
Fecha de compra  
Data de compra  
Inkõpsdatum  
Innkjøpsdato  
Indkøbsdato  
Osttopäivä  
Ημερομηνία αγοράς

koneesi? ◆ Είναι το εργαλείο αυτό η  
πρώτη σας αγορά?

◆ Yes ◆ Ja ◆ Oui ◆ Si ◆ Ja ◆ Si  
◆ Sim ◆ Ja ◆ Ja ◆ Ja ◆ Kyllä ◆ Nαι  
 ◆ No ◆ Nein ◆ Non ◆ No ◆ Nee  
◆ No ◆ Não ◆ Nej ◆ Nei ◆ Nej  
◆ Ei ◆ Oxi

◆ Dealer address ◆ Händleradresse  
◆ Cachet du revendeur ◆ Indirizzo del  
rivenditore ◆ Adres van de dealer  
◆ Dirección del detallista ◆ Morada do  
revendedor ◆ Återförsäljarens adress  
◆ Forhandlens adresse ◆ Forhandler adresse  
◆ Jälleenmyyjän osoite  
◆ Διεύθυνση αντιπροσώπου

Cat. no.:



◆ Data protection act: Tick the box if you prefer  
not to receive further information. ◆ Bitte  
ankreuzen, falls Sie keine weiteren  
Informationen erhalten möchten. ◆ Si vous ne  
souhaitez pas recevoir d'informations, cochez  
cette case. ◆ Barrate la casella se non  
desiderate ricevere informazioni.  
◆ A.u.b. dit vakje aankruisen indien u geen  
informatie wenst te ontvangen.  
◆ Señale en la casilla sino quiere recibir  
información. ◆ Por favor, assinala com uma cruz  
se não desejar receber informação. ◆ Vänligen  
kryssa för i rutan om Ni inte vill ha information.  
◆ Venligst kryss av dersom du ikke ønsker  
informasjon. ◆ Venligst sæt kryds i ruden  
såfremt De ikke måtte ønske at modtage  
information.

◆ Merkitkää rasti ruutuun, mikäli ette halua  
vastataoiteita informaatiota.  
◆ Παρακαλείστε να σημειώσετε εάν  
δεν θέλετε να πάρετε πληροφορίες.

- ◆ GUARANTEE CARD
- ◆ GARANTIEKAART
- ◆ GARANTI KORT
- ◆ GARANTIEKARTE
- ◆ TARJETA DE GARANTÍA
- ◆ GARANTI KORT
- ◆ CARTE DE GARANTIE
- ◆ CARTÃO DE GARANTIA
- ◆ TAKUUKORTTI
- ◆ TAGLIANDO DI GARANZIA
- ◆ GARANTIBEVIS
- ◆ KAPTA EFTYHSHZ



**English**

Please complete this section immediately after the purchase of your tool and send it to Black & Decker in your country. If you live in Australia or New Zealand, please register by using the alternative guarantee card supplied.

**Deutsch**

Bitte schneiden Sie diesen Abschnitt ab, stecken ihn in einen frankierten Umschlag und schicken ihn an die Black & Decker Adresse Ihres Landes.

**Français**

Découpez cette partie et envoyez-la sous enveloppe timbrée à l'adresse de Black & Decker dans votre pays, ceci immédiatement après votre achat.

**Italiano**

Per favore ritagliate questa parte, inseritela in una busta con francobollo e spediteola subito dopo l'acquisto del prodotto all'indirizzo della

Black & Decker nella vostra nazione.

**Nederlands**

Knip dit gedeelte uit en zend het direct na aankoop in een gefrankeerde, geaddresseerde envelop naar het adres van Black & Decker in uw land.

**Español**

Después de haber comprado su herramienta envíe usted, por favor, esta tarjeta a la central de Black & Decker en su país.

**Português**

Por favor, recorte esta parte, coloque-a num envelope selado e endereçado e envie-o logo após a compra do seu produto para o endereço da Black & Decker do seu país.

**Svenska**

Var vänlig klipp ur denna del och sänd den i ett frankerat kuvert till Black & Deckers adress i Ditt land.

**Norsk**

Vennligst klipp ut denne delen umiddelbart etter du har pakket ut ditt produkt og legg det i en adressert konvolutt til Black & Decker (Norge) A/S.

**Dansk**

Venligst klip denne del ud og send frankeret til Black & Decker i dit land.

**Suomi**

Leikkaa irti tämä osa, laita se kuoreen ja postita kuori paikalliseen Black & Decker osoitteeseen.

**Ελληνικά**

Παράκατω κόψτε αυτό το κομμάτι και ταχυδρομήστε το αμέσως μετά την αγορά του προϊόντος σας στην διεύθυνση της Black & Decker στην Ελλάδα.