

## Intended use

Your Black & Decker hedgetrimmer has been designed for trimming hedges, shrubs and brambles. This tool is intended for consumer use only.

Your Black & Decker charger has been designed for charging Black & Decker batteries of the type supplied with this tool.

## Safety instructions

### General power tool safety warnings



**Warning! Read all safety warnings and all instructions.** Failure to follow all instructions may result in electric shock, fire and/or serious injury.

### Save all warnings and instructions for future reference.

The term "power tool" in all of the warnings listed below refers to your mains operated (corded) power tool or battery operated (cordless) power tool.

1. **Work area safety**
  - a. **Keep work area clean and well lit.** Cluttered and dark areas invite accidents.
  - b. **Do not operate power tools in explosive atmospheres, such as in the presence of flammable liquids, gases or dust.** Power tools create sparks which may ignite the dust or fumes.
  - c. **Keep children and bystanders away while operating a power tool.** Distractions can cause you to lose control.
2. **Electrical safety**
  - a. **Power tool plugs must match the outlet. Never modify the plug in any way. Do not use any adapter plugs with earthed (grounded) power tools.** Unmodified plugs and matching outlets will reduce risk of electric shock.
  - b. **Avoid body contact with earthed or grounded surfaces such as pipes, radiators, ranges and refrigerators.** There is an increased risk of electric shock if your body is earthed or grounded.
  - c. **Do not expose power tools to rain or wet conditions.** Water entering a power tool will increase the risk of electric shock.
  - d. **Do not abuse the cord. Never use the cord for carrying, pulling or unplugging the power tool. Keep cord away from heat, oil, sharp edges or moving parts.** Damaged or entangled cords increase the risk of electric shock.
  - e. **When operating a power tool outdoors, use an extension cord suitable for outdoor use.** Use of a cord suitable for outdoor use reduces the risk of electric shock.
  - f. **If operating a power tool in a damp location is unavoidable, use a residual current device (RCD) protected supply.** Use of an RCD reduces the risk of electric shock.
3. **Personal safety**
  - a. **Stay alert, watch what you are doing and use common sense when operating a power tool. Do not use a power tool while you are tired or under the influence of drugs, alcohol or medication.** A moment of inattention while operating power tools may result in serious personal injury.
  - b. **Use personal protective equipment. Always wear eye protection.** Protective equipment such as dust mask, non-skid safety shoes, hard hat, or hearing protection used for appropriate conditions will reduce personal injuries.
  - c. **Prevent unintentional starting. Ensure the switch is in the off-position before connecting to power source and/or battery pack, picking up or carrying the tool.** Carrying power tools with your finger on the switch or energising power tools that have the switch on invites accidents.
  - d. **Remove any adjusting key or wrench before turning the power tool on.** A wrench or a key left attached to a rotating part of the power tool may result in personal injury.
  - e. **Do not overreach. Keep proper footing and balance at all times.** This enables better control of the power tool in unexpected situations.
  - f. **Dress properly. Do not wear loose clothing or jewellery. Keep your hair, clothing and gloves away from moving parts.** Loose clothes, jewellery or long hair can be caught in moving parts.
  - g. **If devices are provided for the connection of dust extraction and collection facilities, ensure these are connected and properly used.** Use of dust collection can reduce dust-related hazards.
4. **Power tool use and care**
  - a. **Do not force the power tool. Use the correct power tool for your application.** The correct power tool will do the job better and safer at the rate for which it was designed.
  - b. **Do not use the power tool if the switch does not turn it on and off.** Any power tool that cannot be controlled with the switch is dangerous and must be repaired.

- c. **Disconnect the plug from the power source and/or the battery pack from the power tool before making any adjustments, changing accessories, or storing power tools.** Such preventive safety measures reduce the risk of starting the power tool accidentally.
- d. **Store idle power tools out of the reach of children and do not allow persons unfamiliar with the power tool or these instructions to operate the power tool.** Power tools are dangerous in the hands of untrained users.
- e. **Maintain power tools. Check for misalignment or binding of moving parts, breakage of parts and any other condition that may affect the power tools operation. If damaged, have the power tool repaired before use.** Many accidents are caused by poorly maintained power tools.
- f. **Keep cutting tools sharp and clean.** Properly maintained cutting tools with sharp cutting edges are less likely to bind and are easier to control.
- g. **Use the power tool, accessories and tool bits etc. in accordance with these instructions, taking into account the working conditions and the work to be performed.** Use of the power tool for operations different from those intended could result in a hazardous situation.
5. **Battery tool use and care**
- a. **Recharge only with the charger specified by the manufacturer.** A charger that is suitable for one type of battery pack may create a risk of fire when used with another battery pack.
- b. **Use power tools only with specifically designated battery packs.** Use of any other battery packs may create a risk of injury and fire.
- c. **When battery pack is not in use, keep it away from other metal objects, like paper clips, coins, keys, nails, screws, or other small metal objects, that can make a connection from one terminal to another.** Shorting the battery terminals together may cause burns or a fire.
- d. **Under abusive conditions, liquid may be ejected from the battery; avoid contact. If contact accidentally occurs, flush with water. If liquid contacts eyes, additionally seek medical help.** Liquid ejected from the battery may cause irritation or burns.
6. **Service**
- a. **Have your power tool serviced by a qualified repair person using only identical replacement parts.** This will make sure that the safety of the power tool is maintained.

### Additional power tool safety warnings



**Warning!** Additional safety warnings for hedge trimmers

- ◆ **Hold power tool by insulated gripping surfaces when performing an operation where the cutting tool may contact hidden wiring or its own cord.** Contact with a "live" wire will also make exposed metal parts of the power tool "live" and give the operator an electric shock.
- ◆ **Keep all parts of the body away from the cutter blade. Do not remove cut material or hold material to be cut when blades are moving. Make sure the switch is off when clearing jammed material.** A moment of inattention while operating the tool can result in serious personal injury.
- ◆ **Carry the hedge trimmer by the handle with the cutter blade stopped. When transporting or storing the hedge trimmer always fit the cutting device cover.** Proper handling of the hedge trimmer will reduce possible personal injury from the cutter blades.
- ◆ **Keep cable away from cutting area.** During operation the cable can be hidden in shrubs and can be accidentally cut by the blade.
- ◆ The intended use is described in this instruction manual. The use of any accessory or attachment or performance of any operation with this tool other than those recommended in this instruction manual can present a risk of personal injury and/or damage to property.
- ◆ Do not carry the tool with your hands on the front handle, switch or the trigger switch unless the battery has been removed.
- ◆ If you have not used a hedge trimmer before, preferably seek practical instruction by an experienced user in addition to studying this manual.
- ◆ Never touch the blades while the tool is running.
- ◆ Never attempt to force the blades to come to a standstill.
- ◆ Do not put the tool down until the blades have come to a complete standstill.
- ◆ Regularly check the blades for damage and wear. Do not use the tool when the blades are damaged.
- ◆ Take care to avoid hard objects (e.g. metal wire, railings) when trimming. Should you accidentally hit any such object, immediately switch the tool off and check for any damage.
- ◆ Should the tool start to vibrate abnormally, immediately switch it off and check for any damage.
- ◆ If the tool stalls, immediately switch it off. Remove the battery before attempting to remove any obstructions.
- ◆ After use, place the blade sheath supplied over the blades. Store the tool, making sure that the blade is not exposed.

- ◆ Always ensure that all guards are fitted when using the tool. Never attempt to use an incomplete tool or a tool with unauthorised modifications.
- ◆ Never allow children to use the tool.
- ◆ Be aware of falling debris when cutting the higher slides of a hedge.
- ◆ Always hold the tool with both hands and by the handles provided.

### Safety of others

- ◆ This appliance is not intended for use by persons (including children) with reduced physical, sensory or mental capabilities, or lack of experience and knowledge, unless they have been given supervision or instruction concerning the use of the appliance by a person responsible for their safety.
- ◆ Children should be supervised to ensure that they do not play with the appliance.

### Vibration

The declared vibration emission values stated in the technical data and the declaration of conformity have been measured in accordance with a standard test method provided by EN 60745 and may be used for comparing one tool with another. The declared vibration emission value may also be used in a preliminary assessment of exposure.

**Warning!** The vibration emission value during actual use of the power tool can differ from the declared value depending on the ways in which the tool is used. The vibration level may increase above the level stated.

When assessing vibration exposure to determine safety measures required by 2002/44/EC to protect persons regularly using power tools in employment, an estimation of vibration exposure should consider, the actual conditions of use and the way the tool is used, including taking account of all parts of the operating cycle such as the times when the tool is switched off and when it is running idle in addition to the trigger time.

### Warning symbols

The following warning symbols are shown on the tool:



**Warning!** To reduce the risk of injury, the user must read the instruction manual.



Do not expose the tool to rain or high humidity.



Always wear non-slip safety footwear.



**Warning!** Do not touch the chain at the chip ejection point.



Always wear head and eye protection.



To ensure continued safe operation, check the chain tension as described in this manual after every 10 minutes of use, and adjust back to a clearance of 3 mm as required.



Beware of falling objects. Keep bystanders away.



Electrocution hazard. Keep at least 10 m away from overhead lines.

### Residual risks

Additional residual risks may arise when using the tool which may not be included in the enclosed safety warnings. These risks can arise from misuse, prolonged use etc.

Even with the application of the relevant safety regulations and the implementation of safety devices, certain residual risks cannot be avoided. These include:

- ◆ Injuries caused by touching any rotating/moving parts.
- ◆ Injuries caused when changing any parts, blades or accessories.
- ◆ Injuries caused by prolonged use of a tool. When using any tool for prolonged periods make sure you take regular breaks.
- ◆ Impairment of hearing.
- ◆ Health hazards caused by breathing dust developed when using your tool (example:- working with wood, especially oak, beech and MDF).

### Additional safety instructions for batteries and chargers

#### Batteries

- ◆ Never attempt to open for any reason.
- ◆ Do not expose the battery to water.
- ◆ Do not expose the battery to heat.
- ◆ Do not store in locations where the temperature may exceed 40°C.
- ◆ Charge only at ambient temperatures between 10°C and 40°C.
- ◆ Charge only using the charger provided with the appliance/tool. Using the wrong charger could result in an electric shock or overheating of the battery.
- ◆ When disposing of batteries, follow the instructions given in the section "Protecting the environment".
- ◆ Do not damage/deform the battery pack either by puncture or impact, as this may create a risk of injury and fire.

- ◆ Do not charge damaged batteries.
- ◆ Under extreme conditions, battery leakage may occur. When you notice liquid on the batteries, carefully wipe the liquid off using a cloth. Avoid skin contact.
- ◆ In case of skin or eye contact, follow the instructions below.

**Warning! The battery fluid may cause personal injury or damage to property. In case of skin contact, immediately rinse with water. If redness, pain or irritation occurs seek medical attention. In case of eye contact, rinse immediately with clean water and seek medical attention.**

### Chargers

**Warning! Your charger has been designed for a specific voltage. Always check that the mains voltage corresponds to the voltage on the rating plate.**

**Warning! Never attempt to replace the charger unit with a regular mains plug.**

- ◆ Use your Black & Decker charger only to charge the battery in the appliance/tool with which it was supplied. Other batteries could burst, causing personal injury and damage.
- ◆ Never attempt to charge non-rechargeable batteries.
- ◆ If the supply cord is damaged, it must be replaced by the manufacturer or an authorised Black & Decker Service Centre in order to avoid a hazard.
- ◆ Do not expose the charger to water.
- ◆ Do not open the charger.
- ◆ Do not probe the charger.
- ◆ The charger must be placed in a well ventilated area when charging.

### Symbols on the charger

The following symbols are found on your charger:



Your charger is double insulated; therefore no earth wire is required. Always check that the mains voltage corresponds to the voltage on the rating plate. Never attempt to replace the charger unit with a regular mains plug.

If the cord is damaged, it must be replaced by the manufacturer or an authorised Black & Decker Service Centre in order to avoid a hazard.



The charger is intended for indoor use only.



Read the instruction manual before use.

## Features

1. On/off switch
2. Lock-off button
3. Main handle
4. Trimmer head
5. Blade
6. Blade sheath
7. Battery

### Fig. A

8. Charger
9. Charging indicator

## Assembly

**Warning!** To prevent accidental operation, ensure that the battery is removed and that the blade sheath is in place on the blades before performing the following operations. Failure to do this could result in serious personal injury.

### Fitting and removing the trimmer head (fig. C)

#### Fitting the trimmer head

- ◆ Align the groove on the outside of the coupling end of the handle (3) with the tongue on the inside of the coupling end of the trimmer head (4).
- ◆ Push the trimmer head (4) onto the handle (3).
- ◆ Slide the collar (11) down and rotate it clockwise until it is fully tightened.

**Warning!** Periodically check the connections to ensure that they are tightened securely. The collar is correctly secured if there are no orange threads visible.

#### Removing the trimmer head

- ◆ Rest the handle (3) on the ground, loosen the collar (11) and take off the trimmer head (4).

#### Adjusting the trimmer head angle (fig. D)

The trimmer head pivots 180° and can be locked into 5 positions within that range.

**Warning!** To avoid being pinched, wear gloves and hold the unit as shown.

- ◆ Rest the handle (3) on the ground, slide the collar (12) down and move the trimmer head (4) as required. Make sure the trimmer head clicks into place.

#### Fitting and removing the battery (fig. B)

- ◆ To fit the battery (7), line it up with the receptacle on the tool. Slide the battery into the receptacle and push until the battery snaps into place.
- ◆ To remove the battery, push the release button (10) while at the same time pulling the battery out of the receptacle.

## Use

**Warning!** Let the tool work at its own pace. Do not overload.

### Charging the battery (fig. A)

The battery needs to be charged before first use and whenever it fails to produce sufficient power on jobs that were easily done before.

The battery may become warm while charging; this is normal and does not indicate a problem.

**Warning!** Do not charge the battery at ambient temperatures below 10°C or above 40°C. Recommended charging temperature: approx. 24°C.

**Note** The charger will not charge a battery if the cell temperature is below approximately 10°C or above 40°C. The battery should be left in the charger and the charger will begin to charge automatically when the cell temperature warms up or cools down.

- ◆ To charge the battery (7), remove it from the tool and insert it into the charger (8). The battery will only fit into the charger in one way. Do not force. Be sure that the battery is fully seated in the charger.
- ◆ Plug in the charger and switch on at the mains.
- ◆ The charging indicator (9) will flash green continuously (slowly).

The charge is complete when the charging indicator (9) lights green continuously. The charger and the battery can be left connected indefinitely with the LED illuminated. The LED will change to flashing green (charging) state as the charger occasionally tops off the battery charge. The charging indicator (9) will be lit as long as the battery is connected to the plugged-in charger.

- ◆ Charge discharged batteries within 1 week. Battery life will be greatly diminished if stored in a discharged state.

### Leaving the battery in the charger

The charger and battery pack can be left connected indefinitely with the LED lit. The charger will keep the battery pack fresh and fully charged.

### Charger diagnostics

If the charger detects a weak or damaged battery, the charging indicator (9) will flash red at a fast rate. Proceed as follows:

- ◆ Re-insert the battery (7).
- ◆ If the charging indicator continues flashing red at a fast rate, use a different battery to determine if the charging process works properly.
- ◆ If the replaced battery charges correctly, the original battery is defective and should be returned to a service centre for recycling.

- ◆ If the new battery gives the same indication as the original battery, take the charger to be tested at an authorised service centre.

**Note** It may take as long as 60 minutes to determine that the battery is defective. If the battery is too hot or too cold, the LED will alternately blink red, fast and slow, one flash at each speed and repeat.

### Switching on and off (fig. E)

For your safety, this tool is equipped with a double switching system. This system prevents starting the tool inadvertently.

#### Switching on

- ◆ Push the lock-off button (2) backward using your thumb and at the same time squeeze the on/off switch (1).
- ◆ Release the lock-off button (2).

#### Switching off

- ◆ Release the on/off switch (1).

**Warning!** Never attempt to lock a switch in the on position.

### Hints for optimum use

- ◆ Start by trimming the top of the hedge. Slightly tilt the tool (up to 15° relative to the line of cut) so that the blade tips point slightly towards the hedge (fig. F1). This will cause the blades to cut more effectively. Hold the tool at the desired angle and move it steadily along the line of cut. The double-sided blade allows you to cut in either direction.
- ◆ In order to obtain a very straight cut, stretch a piece of string along the length of the hedge at the desired height. Use the string as a guideline, cutting just above it.
- ◆ In order to obtain flat sides, cut upwards with the growth. Younger stems move outwards when the blade cuts downwards, causing shallow patches in the hedge (fig. F2).
- ◆ Take care to avoid any foreign objects. Especially avoid hard objects such as metal wire and railings, as these could damage the blades.
- ◆ Regularly oil the blades.

### Guidelines for trimming (UK & Ireland)

- ◆ Trim hedges and shrubs with seasonal leaves (new leaves every year) in June and October.
- ◆ Trim evergreens in April and August.
- ◆ Trim conifers and other fast growing shrubs every six weeks from May until October.

### Guidelines for trimming (Australia & New Zealand)

- ◆ Trim hedges and shrubs with seasonal leaves (new leaves every year) in December and March.
- ◆ Trim evergreens in September and February.
- ◆ Trim conifers and other fast growing shrubs every six weeks from October until March.



## Cleaning maintenance and storage

Your Black & Decker tool has been designed to operate over a long period of time with a minimum of maintenance. Continuous satisfactory operation depends upon proper tool care and regular cleaning.

Your charger does not require any maintenance apart from regular cleaning.

**Warning!** Before performing any maintenance on the tool, remove the battery from the tool. Unplug the charger before cleaning it.

### After use and before storage

- ◆ After use, carefully clean the blades. After cleaning, apply a film of light machine oil to prevent the blades from rusting.
- ◆ Regularly clean the ventilation slots in your tool using a soft brush or dry cloth.
- ◆ Regularly clean the motor housing using a damp cloth. Do not use any abrasive or solvent-based cleaner.
- ◆ Make sure all switches are free of debris before and after use.

### Storage

When the tool will not be used for several months, ideally leave the battery connected to the charger.

Otherwise proceed as follows:

- ◆ Fully charge the battery.
- ◆ Remove the battery from the tool.
- ◆ Store the tool and battery in a secure and dry location. The storage temperature must always remain in the range of +10°C to +40°C. Place the battery on a level surface.
- ◆ Before using the tool after prolonged storage, fully charge the battery again.

### Troubleshooting

If the tool does not operate correctly, check the following.:

Fault	Possible cause	Action
Tool will not start.	Battery not installed properly.	Check the battery installation.
	Battery discharged.	Fit a (fully) charged battery.
	Lock-off button not actuated.	Observe the starting procedure.
	Pole connections not properly tightened.	Check the connections.
Battery will not charge.	Battery not installed properly.	Check the battery installation.

## Protecting the environment



Separate collection. This product must not be disposed of with normal household waste.

Should you find one day that your Black & Decker product needs replacement, or if it is of no further use to you, do not dispose of it with household waste. Make this product available for separate collection.



Separate collection of used products and packaging allows materials to be recycled and used again. Re-use of recycled materials helps prevent environmental pollution and reduces the demand for raw materials.

Local regulations may provide for separate collection of electrical products from the household, at municipal waste sites or by the retailer when you purchase a new product.

Black & Decker provides a facility for the collection and recycling of Black & Decker products once they have reached the end of their working life. To take advantage of this service please return your product to any authorised repair agent who will collect them on our behalf.

You can check the location of your nearest authorised repair agent by contacting your local Black & Decker office at the address indicated in this manual. Alternatively, a list of authorised Black & Decker repair agents and full details of our after-sales service and contacts are available on the Internet at: [www.2helpU.com](http://www.2helpU.com).

### Batteries



At the end of their useful life, discard batteries with due care for our environment:

- ◆ Do not short-circuit the battery terminals.
- ◆ Do not dispose of the battery(s) in a fire as this may result in a risk of personal injury or an explosion.
- ◆ Run the battery down completely, then remove it from the tool.
- ◆ Batteries are recyclable. Place the battery(s) in a suitable packaging to ensure that the terminals cannot be short-circuited. Take them to any authorised repair agent or a local recycling station.

## Technical data

GTC1843L H1	
Input voltage	Vdc 18
No-load speed	min <sup>-1</sup> 1,400
Blade length	cm 43
Blade gap	mm 12
Blade brake time	s < 1.0
Weight (without battery)	kg 3.2

Battery	
BL1518	
Voltage	Vdc 18
Capacity	Ah 1.5
Type	Li-Ion

Charger	
905531** TYPE 1	
Input voltage	Vac 230
Output voltage	Vdc 20.5
Output current	mA 200

Level of sound pressure according to EN60745:

Sound pressure ( $L_{pA}$ ) 82 dB(A), uncertainty (K) 3 dB(A)

Sound power ( $L_{WA}$ ) 93 dB(A), uncertainty (K) 3 dB(A)

Vibration total values (triax vector sum)

according to EN 60745:

Vibration emission value ( $a_v$ ) 1.1 m/s<sup>2</sup>,  
uncertainty (K) 1.5 m/s<sup>2</sup>

## EC declaration of conformity

MACHINERY DIRECTIVE



GTC1843L

Black & Decker declares that these products described under "technical data" are in compliance with:

2006/42/EC, EN60745-1, EN60745-2-15

2000/14/EC, Hedge trimmer 1400 min<sup>-1</sup>, Annex V

$L_{WA}$  (measured sound power) 93 dB(A),

Uncertainty (K) 3 dB(A)

$L_{WA}$  (guaranteed sound power) 95 dB(A),

Uncertainty (K) 3 dB(A)

These products also comply with directive 2004/108/EC.

For more information, please contact Black & Decker at the following address or refer to the back of the manual.

The undersigned is responsible for compilation of the technical file and makes this declaration on behalf of Black & Decker.

Kevin Hewitt

Vice-President Global Engineering

Black & Decker Europe, 210 Bath Road, Slough,

Berkshire, SL1 3YD

United Kingdom

19-10-2010

## Guarantee

Black & Decker is confident of the quality of its products and offers an outstanding guarantee. This guarantee statement is in addition to and in no way prejudices your statutory rights.

The guarantee is valid within the territories of the Member States of the European Union and the European Free Trade Area.

If a Black & Decker product becomes defective due to faulty materials, workmanship or lack of conformity, within 24 months from the date of purchase, Black & Decker guarantees to replace defective parts, repair products subjected to fair wear and tear or replace such products to make sure of the minimum inconvenience to the customer unless:

- ◆ The product has been used for trade, professional or hire purposes.

- ◆ The product has been subjected to misuse or neglect.
- ◆ The product has sustained damage through foreign objects, substances or accidents.
- ◆ Repairs have been attempted by persons other than authorised repair agents or Black & Decker service staff.

To claim on the guarantee, you will need to submit proof of purchase to the seller or an authorised repair agent. You can check the location of your nearest authorised repair agent by contacting your local Black & Decker office at the address indicated in this manual. Alternatively, a list of authorised Black & Decker repair agents and full details of our after-sales service and contacts are available on the Internet at:

**[www.2helpU.com](http://www.2helpU.com)**.

Please visit our website **[www.blackanddecker.co.uk](http://www.blackanddecker.co.uk)** to register your new Black & Decker product and to be kept up to date on new products and special offers. Further information on the Black & Decker brand and our range of products is available at **[www.blackanddecker.co.uk](http://www.blackanddecker.co.uk)**.

## Bestimmungsgemäße Verwendung

Ihre Black & Decker Heckenschere wurde zum Schneiden von Hecken und Sträuchern entwickelt. Dieses Gerät ist nicht für den gewerblichen Einsatz vorgesehen.

Ihr Black & Decker Ladegerät wurde zum Laden von Black & Decker Akkus vom im Lieferumfang enthaltenen Typ entwickelt.

## Sicherheitshinweise

### Allgemeine Sicherheitswarnungen für das Gerät



**Achtung! Lesen Sie sämtliche Sicherheitswarnungen und Anweisungen.** Die Nichteinhaltung der nachstehend aufgeführten Warnungen und Anweisungen kann einen elektrischen Schlag, Brand und/oder schwere Verletzungen verursachen.

### Bewahren Sie alle Sicherheitswarnungen und Anweisungen gut auf.

Der nachfolgend verwendete Begriff „Gerät“ bezieht sich auf netzbetriebene Geräte (mit Netzkabel) und auf akkubetriebene Geräte (ohne Netzkabel).


#### 1. Sicherheit im Arbeitsbereich

- a. **Halten Sie Ihren Arbeitsbereich sauber und gut ausgeleuchtet.** Unordnung oder dunkle Arbeitsbereiche können zu Unfällen führen.
- b. **Verwenden Sie die Geräte nicht in Umgebungen, in denen Explosionsgefahr z. B. aufgrund von brennbaren Flüssigkeiten, Gasen oder Staub besteht.** Geräte erzeugen Funken, die den Staub oder die Dämpfe entzünden können.
- c. **Halten Sie Kinder und andere Personen während der Benutzung eines Geräts fern.** Bei Ablenkung können Sie die Kontrolle verlieren.

#### 2. Elektrische Sicherheit

- a. **Der Netzstecker des Geräts muss in die Steckdose passen. Der Stecker darf in keiner Weise verändert werden. Verwenden Sie für geschützte Geräte keine Adapterstecker.** Unveränderte Stecker und passende Steckdosen verringern das Risiko eines elektrischen Schlags.
- b. **Vermeiden Sie Körperkontakt mit geerdeten Oberflächen von Rohren, Heizungen, Herden und Kühlschränken.** Es besteht ein erhöhtes Risiko eines elektrischen Schlags, wenn Ihr Körper geerdet ist.
- c. **Halten Sie Geräte von Regen und Feuchtigkeit fern.** Das Eindringen von Wasser in ein Gerät erhöht das Risiko eines elektrischen Schlags.

- d. **Verwenden Sie das Kabel ordnungsgemäß. Verwenden Sie es niemals zum Tragen. Trennen Sie das Gerät nicht durch Ziehen am Kabel vom Netz. Halten Sie das Kabel fern von Hitze, Öl, scharfen Kanten oder sich bewegenden Teilen.** Beschädigte oder verwickelte Kabel erhöhen das Risiko eines elektrischen Schlags.
  - e. **Verwenden Sie nur für den Außenbereich zugelassene Verlängerungskabel, wenn Sie mit dem Gerät im Freien arbeiten.** Die Verwendung eines für den Außenbereich geeigneten Verlängerungskabels verringert das Risiko eines elektrischen Schlags.
  - f. **Wenn das Gerät in einer feuchten Umgebung verwendet werden muss, schließen Sie es unbedingt an eine Steckdose mit Fehlerstromschutzschalter (RCD).** Die Verwendung eines Fehlerstromschutzschalters verringert das Risiko eines elektrischen Schlags.
- ### 3. Sicherheit von Personen
- a. **Verwenden Sie das Gerät aufmerksam und vernünftig. Benutzen Sie das Gerät nicht, wenn Sie müde sind oder unter dem Einfluss von Drogen, Alkohol oder Medikamenten stehen.** Ein Moment der Unachtsamkeit beim Gebrauch von Geräten kann zu ernsthaften Verletzungen führen.
  - b. **Verwenden Sie eine geeignete Schutzausrüstung. Tragen Sie stets eine Schutzbrille.** Schutzausrüstung wie Staubmaske, rutschfeste Sicherheitsschuhe, Schutzhelm oder Gehörschutz, je nach Art und Einsatz des Geräts, verringert das Risiko von Verletzungen.
  - c. **Vermeiden Sie eine unbeabsichtigte Inbetriebnahme. Vergewissern Sie sich, dass das Gerät ausgeschaltet ist, bevor Sie es an eine Steckdose oder einen Akku anschließen, es hochheben oder tragen.** Durch das Tragen des Geräts mit dem Finger am Schalter oder durch das Anschließen eingeschalteter Geräte werden Unfälle provoziert.
  - d. **Entfernen Sie Einstell- oder Schraubenschlüssel, bevor Sie das Gerät einschalten.** Ein Schlüssel in einem sich drehenden Teil kann zu Verletzungen führen.
  - e. **Beugen Sie sich nicht zu weit nach vorne über. Achten Sie auf einen sicheren Stand, um in jeder Arbeitsposition das Gleichgewicht zu halten.** Dadurch können Sie das Gerät in unerwarteten Situationen besser unter Kontrolle halten.
  - f. **Tragen Sie geeignete Kleidung. Tragen Sie keine weite Kleidung oder Schmuck. Halten Sie Haare, Kleidung und Handschuhe fern von sich bewegenden Teilen.** Lockere Kleidung, Schmuck oder lange Haare können von sich bewegenden Teilen erfasst werden.

- g. Falls Staubabsaug- und -fangvorrichtungen vorhanden sind, vergewissern Sie sich, dass diese angeschlossen sind und richtig verwendet werden.** Das Verwenden einer Staubfangvorrichtung verringert Gefährdungen durch Staub.
- 4. Gebrauch und Pflege von Geräten**
- a. Überlasten Sie das Gerät nicht. Verwenden Sie das für Ihre Arbeit passende Gerät.** Durch das Arbeiten in dem für das Gerät angegebenen Leistungsbereich erzielen Sie nicht nur optimale Ergebnisse, Sie erhöhen auch die Sicherheit.
- b. Verwenden Sie das Gerät nicht, wenn der Ein-/Ausschalter nicht funktioniert.** Ein Gerät, das sich nicht mehr ein- oder ausschalten lässt, ist gefährlich und muss repariert werden.
- c. Ziehen Sie den Stecker aus der Steckdose, und/oder trennen Sie das Gerät vom Akku, bevor Sie Einstellungen vornehmen, Zubehörteile wechseln oder das Gerät lagern.** Diese Vorsichtsmaßnahme verhindert den unbeabsichtigten Start des Geräts.
- d. Bewahren Sie unbenutzte Geräte außerhalb der Reichweite von Kindern auf. Lassen Sie Geräte nicht von Personen benutzen, die damit nicht vertraut sind oder diese Anweisungen nicht gelesen haben.** Geräte sind gefährlich, wenn sie von unerfahrenen Personen benutzt werden.
- e. Halten Sie Geräte in einem einwandfreien Zustand. Kontrollieren Sie, ob bewegliche Teile falsch ausgerichtet sind oder klemmen und ob Teile gebrochen oder so beschädigt sind, dass die Funktion des Geräts beeinträchtigt ist. Lassen Sie beschädigte Geräte vor dem Gebrauch reparieren.** Viele Unfälle haben ihre Ursache in schlecht gewarteten Geräten.
- f. Halten Sie Schneidwerkzeuge scharf und sauber.** Sorgfältig gepflegte Schneidwerkzeuge mit scharfen Schneidkanten verklemmen sich seltener und sind leichter zu führen.
- g. Verwenden Sie Gerät, Zubehör, Einsatz-Bits usw. entsprechend diesen Anweisungen, und berücksichtigen Sie dabei die Arbeitsbedingungen und die auszuführende Arbeit.** Der Gebrauch von Geräten für andere als die vorgesehenen Anwendungen kann zu gefährlichen Situationen führen.
- 5. Gebrauch und Pflege von batteriebetriebenen Geräten**
- a. Laden Sie den Akku nur mit dem vom Hersteller vorgesehenen Ladegerät auf.** Die Verwendung von Ladegeräten, die für eine andere Art von Akku bestimmt sind, kann dazu führen, dass sich der Akku beim Laden entzündet.
- b. Verwenden Sie nur die für das jeweilige Gerät vorgesehenen Akkus.** Die Verwendung anderer Akkus kann zu Verletzungen oder Bränden führen.
- c. Bewahren Sie den Akku bei Nichtbenutzung nicht in der Nähe metallischer Objekte wie Büroklammern, Münzen, Schlüsseln, Nägeln oder Schrauben auf, da diese eine Verbindung zwischen beiden Polen des Akkus herstellen können.** Durch den dadurch entstehenden Kurzschluss kann der Akku in Brand geraten.
- d. Durch unsachgemäßen Gebrauch können Flüssigkeiten aus dem Akku austreten. Berühren Sie diese nicht! Sollten Sie dennoch unbeabsichtigt mit diesen in Berührung kommen, waschen Sie die betroffenen Stellen sofort mit reichlich Wasser ab. Suchen Sie sofort einen Arzt auf, wenn die Flüssigkeit in Kontakt mit Ihren Augen gekommen ist.** Flüssigkeiten aus Akkus können Hautreizungen oder Verbrennungen hervorrufen.
- 6. Service**
- a. Lassen Sie das Gerät nur von qualifiziertem Fachpersonal und nur mit Originalersatzteilen reparieren.** So wird gewährleistet, dass die Sicherheit des Geräts erhalten bleibt.
- Zusätzliche Sicherheitswarnungen für das Gerät**
-  **Achtung!** Zusätzliche Warnhinweise zur Sicherheit von Stich- und Säbelsägen.
- ◆ **Halten Sie das Gerät an den isolierten Griffflächen, wenn Sie Arbeiten durchführen, bei denen das Schneidwerkzeug verdeckte Leitungen oder das eigene Kabel berühren kann.** Wenn das Schneidwerkzeug eine stromführende Leitung berührt, können offen liegende Metallteile am Gerät ebenfalls unter Strom gesetzt werden und beim Bediener einen Stromschlag verursachen.
  - ◆ **Halten Sie alle Körperteile vom Schnittmesser fern. Entfernen Sie kein geschnittenes Material und halten Sie kein zu schneidendes Material, solange sich die Messer bewegen. Vergewissern Sie sich, dass der Schalter ausgeschaltet ist, wenn eingeklemmtes Material entfernt wird.** Ein Moment der Unachtsamkeit beim Gebrauch von Geräten kann zu ernsthaften Verletzungen führen.
  - ◆ **Tragen Sie die Heckenschere immer am Handgriff und mit abgeschaltetem Messer. Bringen Sie beim Transport oder der Aufbewahrung der Heckenschere immer die Messerabdeckung an.** Eine vernünftige Handhabung der Heckenschere verringert die mögliche Verletzungsgefahr durch die Messer.

- ◆ **Halten Sie das Kabel vom Schnittbereich fern.**  
Während der Arbeit kann das Kabel in Sträuchern übersehen und versehentlich durchtrennt werden.
- ◆ Die bestimmungsgemäße Verwendung ist in dieser Bedienungsanleitung beschrieben. Das Verwenden anderer als der in dieser Anleitung empfohlenen Anbaugeräte und Zubehörteile oder die Ausführung von Arbeiten mit diesem Gerät, die nicht der bestimmungsgemäßen Verwendung entsprechen, kann zu Unfallgefahren und/oder Sachschäden führen.
- ◆ Tragen Sie das Gerät nicht mit den Händen am Zweithandschalter oder am Betriebsschalter, während der Akku sich am Gerät befindet.
- ◆ Falls Sie noch nie zuvor eine Heckenschere benutzt haben, lassen Sie sich möglichst von einem erfahrenen Benutzer einweisen. Lesen Sie darüber hinaus diese Anleitung sorgfältig durch.
- ◆ Berühren Sie niemals die Messer, während das Gerät läuft.
- ◆ Versuchen Sie nie, die Messer mit Gewalt zum Stillstand zu bringen.
- ◆ Legen Sie das Gerät erst dann nieder, wenn die Messer vollkommen zum Stillstand gekommen sind.
- ◆ Prüfen Sie die Messer regelmäßig auf Beschädigung und Abnutzung. Verwenden Sie das Gerät nicht, wenn die Messer beschädigt sind.
- ◆ Sorgen Sie dafür, daß Sie beim Schneiden nicht auf harte Gegenstände (z.B. Metalldraht, Gitter) stoßen. Sollten Sie versehentlich doch auf einen harten Gegenstand stoßen, schalten Sie das Gerät sofort aus und überprüfen es auf etwaige Beschädigungen.
- ◆ Sollte das Gerät plötzlich stark vibrieren, schalten Sie es sofort aus und überprüfen Sie es auf etwaige Beschädigungen.
- ◆ Wenn das Gerät sich festfährt, schalten Sie es sofort aus. Entfernen Sie den Akku, bevor Sie versuchen, die Blockierung zu beseitigen.
- ◆ Schieben Sie nach dem Gebrauch die im Lieferumfang enthaltene Messerhülle über die Messer. Verstauen Sie das Gerät und vergewissern Sie sich, daß die Messerhülle angebracht ist.
- ◆ Vergewissern Sie sich vor dem Gebrauch immer, daß alle Schutzvorrichtungen ordnungsgemäß montiert sind. Versuchen Sie nie, ein Gerät zu verwenden, an dem Teile fehlen oder an dem unbefugte Änderungen vorgenommen wurden.
- ◆ Verbieten Sie Kindern den Umgang mit dem Gerät.
- ◆ Passen Sie auf herunterfallendes Schnittgut auf, wenn Sie die höher liegenden Seiten einer Hecke schneiden.

- ◆ Halten Sie das Gerät stets mit beiden Händen und an den vorgesehenen Handgriffen.

### Sicherheit anderer Personen

- ◆ Dieses Gerät darf nicht von Personen (einschließlich Kindern) mit eingeschränkten körperlichen, sensorischen oder geistigen Fähigkeiten sowie mangelnder Erfahrung und Wissen in Bezug auf dessen Gebrauch bedient werden, es sei denn, sie werden bei der Verwendung des Geräts von einer für die Sicherheit verantwortlichen Person beaufsichtigt oder angeleitet.
- ◆ Kinder müssen beaufsichtigt werden, um sicherzustellen, dass sie nicht mit dem Gerät spielen.

### Vibration

Die im Abschnitt „Technische Daten und Konformitätserklärung“ angegebenen Werte für die Vibrationsemission wurden mit einer Standard-Prüfmethode nach EN 60745 ermittelt und können zum Vergleich verschiedener Geräte herangezogen werden. Außerdem kann mit Hilfe dieses Werts die Belastung bei Verwendung des Geräts schon im Voraus eingeschätzt werden.

**Achtung!** Die bei Verwendung des Geräts auftretende Vibrationsemission hängt von der Art des Gerätegebrauchs ab und kann dementsprechend vom angegebenen Wert abweichen. Gegebenenfalls kann die Vibration über dem angegebenen Wert liegen.

**Achtung!** Mit Hilfe der ermittelten Werte der Vibrationsbelastung durch Elektrogeräte lassen sich Sicherheitsmaßnahmen festlegen, die gemäß 2002/44/EG zum Schutze von Personen bestimmt sind, die diese Geräte regelmäßig bei der Arbeit verwenden. Bei der Einschätzung der Vibrationsbelastung sollten die Gebrauchsumstände und die Art der Verwendung des Gerätes sowie alle Schritte des Arbeitszyklus berücksichtigt werden, wozu Ruhe-, Leerlauf- und Startzeiten gehören.

### Warnsymbole

Das Gerät ist mit folgenden Warnsymbolen versehen:



**Achtung!** Um die Verletzungsgefahr zu verringern, muß der Benutzer die Bedienungsanleitung lesen.



Verwenden Sie das Gerät nicht bei nassen Bedingungen, und setzen Sie es keinem Regen aus.



Tragen Sie stets rutschfestes, sicheres Schuhwerk.



**Achtung!** Greifen Sie nicht am Spanauswurf in die Kette.



Tragen Sie stets einen Schutzhelm mit Augenschutz.



Um ein kontinuierlich sicheres Arbeiten zu gewährleisten, kontrollieren Sie die Kettenspannung wie in diesem Handbuch beschrieben nach jeweils 10 Minuten Betrieb der Kettensäge. Stellen Sie die Kettenspannschraube ggf. wieder auf die vorgeschriebenen 3 mm Spiel ein.



Vorsicht vor herabfallenden Gegenständen. Halten Sie andere Personen fern.



Lebensgefahr durch Stromschlag! Halten Sie sich mindestens 10 Meter von Überlandleitungen fern.

### Restrisiken

Für den Gebrauch dieses Geräts verbleiben zusätzliche Restrisiken, die möglicherweise nicht in den Sicherheitswarnungen genannt werden. Diese Risiken bestehen beispielsweise bei Missbrauch oder längerem Gebrauch.

Auch bei der Einhaltung der entsprechenden Sicherheitsvorschriften und der Verwendung aller Sicherheitsgeräte bestehen weiterhin bestimmte Restrisiken. Diese werden im Folgenden aufgeführt:

- ◆ Verletzungen, die durch das Berühren von sich drehenden/bewegenden Teilen verursacht werden.
- ◆ Verletzungen, die durch das Austauschen von Teilen, Messern oder Zubehör verursacht werden.
- ◆ Verletzungen, die durch längeren Gebrauch eines Geräts verursacht werden. Legen Sie bei längerem Gebrauch regelmäßige Pausen ein.
- ◆ Beeinträchtigung des Gehörs.
- ◆ Gesundheitsrisiken durch das Einatmen von Staub beim Gebrauch des Geräts (Beispielsweise bei Holzarbeiten, insbesondere Eiche, Buche und Pressspan).

### Zusätzliche Sicherheitshinweise für Akkus und Ladegeräte

#### Akkus

- ◆ Auf keinen Fall öffnen.
- ◆ Achten Sie darauf, dass der Akku nicht mit Wasser in Berührung kommt.

- ◆ Setzen Sie den Akku keinen hohen Temperaturen aus.
- ◆ Nicht bei Temperaturen über 40°C lagern.
- ◆ Laden Sie den Akku ausschließlich bei Umgebungstemperaturen zwischen 10°C und 40°C.
- ◆ Verwenden Sie ausschließlich das mit dem Gerät gelieferte Ladegerät. Das Verwenden des falschen Ladegeräts kann zu einem Stromschlag oder dem Überhitzen des Akkus führen.
- ◆ Bei der Entsorgung von Akkus oder Batterien die Hinweise im Abschnitt „Umweltschutz“ beachten.
- ◆ Der Akku darf nicht durch mechanische Krafteinwirkung oder Belastungen beschädigt oder verformt werden. Andernfalls besteht Verletzungs- und Brandgefahr.
- ◆ Laden Sie beschädigte Akkus nicht auf.
- ◆ Unter extremen Bedingungen können Akkus undicht werden. Wenn Sie feststellen, dass aus der Batterie Flüssigkeit austritt, wischen Sie diese vorsichtig mit einem Tuch ab. Vermeiden Sie Hautkontakt.
- ◆ Beachten Sie nach Haut- oder Augenkontakt die folgenden Hinweise.

**Achtung! Batteriesäure kann Sach- oder Personenschäden verursachen. Spülen Sie die Säure nach Hautkontakt sofort mit Wasser ab. Suchen Sie einen Arzt auf, wenn sich auf der Haut Rötungen, Reizungen oder andere Irritationen zeigen. Spülen Sie das Auge nach Augenkontakt sofort mit sauberem Wasser aus, und suchen Sie einen Arzt auf.**

#### Ladegeräte

**Achtung!** Das Ladegerät ist für eine bestimmte Spannung ausgelegt. Stellen Sie sicher, dass die Netzspannung der auf dem Typenschild des Geräts angegebenen Spannung entspricht.

**Achtung! Ersetzen Sie das Ladegerät keinesfalls durch ein normales Netzkabel.**

- ◆ Verwenden Sie das Black & Decker Ladegerät nur für den Akku des Geräts, mit dem es geliefert wurde. Andere Akkus könnten platzen und Sachschäden oder Verletzungen verursachen.
- ◆ Versuchen Sie keinesfalls, nicht aufladbare Batterien zu laden.
- ◆ Ist das Netzkabel beschädigt, muss es durch den Hersteller oder eine Black & Decker Vertragswerkstatt ausgetauscht werden, um eine mögliche Gefährdung zu vermeiden.
- ◆ Achten Sie darauf, dass das Ladegerät nicht mit Wasser in Berührung kommt.
- ◆ Versuchen Sie nicht, das Ladegerät zu öffnen.
- ◆ Nehmen Sie am Ladegerät keine Veränderungen vor.



- ◆ Während das Ladegerät geladen wird, muss auf ausreichende Belüftung geachtet werden.

### Symbole auf dem Ladegerät

Das Ladegerät ist mit folgenden Symbolen versehen:



Ihr Ladegerät ist doppelt isoliert; eine Erdleitung ist somit nicht erforderlich. Überprüfen Sie, ob die Netzspannung der auf dem Typenschild des Ladegerätes angegebenen Spannung entspricht. Tauschen Sie das Ladegerät auf keinen Fall gegen einen Netzstecker aus.

Ist das Netzkabel beschädigt, muss es durch den Hersteller oder eine Black & Decker Vertragswerkstatt ausgetauscht werden, um eine mögliche Gefährdung zu vermeiden.



Das Ladegerät ist ausschließlich für den Gebrauch in geschlossenen Räumen vorgesehen.



Lesen Sie vor dem Gebrauch sorgfältig die Bedienungsanleitung.

### Übersicht

1. Ein-/Aus-Schalter
2. Einschaltsperr
3. Haupthandgriff
4. Scherenkopf
5. Messer
6. Messerhülle
7. Akku

### Abb. A

8. Ladegerät
9. Ladeanzeige

### Montage

**Achtung!** Um einen versehentlichen Betrieb zu verhindern, vergewissern Sie sich, daß der Akku entfernt ist und daß sich die Messerhülle auf den Messern befindet, bevor Sie die anschließenden Tätigkeiten ausführen. Falls Sie dies nicht durchführen, so können schwere Personenverletzungen die Folge sein!

### Anbringen und Entfernen des Scherenkopfs (Abb. C)

#### Anbringen des Scherenkopfs

- ◆ Richten Sie die Rille außen am Kupplungsende des Handgriffs (3) mit der Zunge innen am Kupplungsende des Scherenkopfs (4) aus.
- ◆ Schieben Sie den Scherenkopf (4) auf den Handgriff (3).
- ◆ Schieben Sie den Ring (11) nach unten und drehen Sie ihn im Uhrzeigersinn, bis er vollständig angezogen ist.

**Achtung!** Prüfen Sie regelmäßig die Verbindungen, um sicherzustellen, daß sie sicher angezogen sind. Der Ring ist richtig gesichert, wenn keine orangefarbenen Gewindegänge mehr sichtbar sind.

#### Entfernen des Scherenkopfs

- ◆ Legen Sie den Handgriff (3) auf den Boden, lösen Sie den Ring (11), und nehmen Sie den Scherenkopf (4) ab.

#### Einstellen des Scherenkopfwinkels (Abb. D)

Der Scherenkopf läßt sich um 180° schwenken und kann in 5 Positionen innerhalb dieses Bereichs arretiert werden.

Um Quetschverletzungen zu vermeiden, tragen Sie Handschuhe und halten Sie die Einheit wie angegeben.

- ◆ Legen Sie den Handgriff (3) auf den Boden, schieben Sie den Ring (12) nach unten, und bewegen Sie den Scherenkopf (4) wie erforderlich. Stellen Sie sicher, daß der Scherenkopf richtig einrastet.

#### Anbringen und Entfernen des Akkus (Abb. B)

- ◆ Um den Akku (7) anzubringen, richten Sie ihn mit der Aufnahme am Gerät aus. Schieben Sie den Akku in die Aufnahme und drücken ihn, bis er einrastet.
- ◆ Um den Akku zu entfernen, drücken Sie den Löseknopf (10) und ziehen Sie gleichzeitig den Akku aus der Aufnahme heraus.

### Verwendung

**Achtung! Beschleunigen Sie den Arbeitsvorgang nicht mit Gewalt. Vermeiden Sie eine Überlastung des Geräts.**

#### Laden des Akkus (Abb. A)

Der Akku muss vor erstmaliger Benutzung und immer dann aufgeladen werden, wenn das Gerät nicht mehr die volle Leistung bringt.

Während des Ladevorgangs kann der Akku warm werden. Das ist normal.

**Achtung! Laden Sie den Akku nicht, wenn die Umgebungstemperatur unter 10°C oder über 40°C liegt. Empfohlene Ladetemperatur: etwa 24°C.**

**Hinweis: Ein Akku, bei dem die Temperatur der Batteriezellen unter ca. 10°C oder über 40°C liegt, wird vom Ladegerät nicht geladen. Lassen Sie in diesem Fall den Akku im Ladegerät. Das Ladegerät beginnt automatisch mit dem Ladevorgang, sobald sich die Zellen erwärmt bzw. abgekühlt haben.**

- ◆ Entfernen Sie den Akku (7) aus dem Gerät, und stecken Sie ihn in das Ladegerät (8), um diesen aufzuladen. Der Akku kann nur in einer Richtung in das Ladegerät gesteckt werden. Gehen Sie nicht mit Gewalt vor. Vergewissern Sie sich, dass der Akku ordnungsgemäß im Ladegerät steckt.



- ◆ Schließen Sie das Ladegerät an eine Steckdose an, und schalten Sie die Stromversorgung ein.
- ◆ Die Ladeanzeige (9) blinkt durchgängig grün (langsam).

Der Ladevorgang ist abgeschlossen, wenn die Ladeanzeige (9) dauerhaft grün leuchtet. Sie können den Akku auf unbestimmte Zeit im Ladegerät belassen. In diesem Fall leuchtet die LED-Anzeige. Die LED-Anzeige beginnt grün zu blinken (Ladezustand), wenn der Akku gelegentlich nachgeladen wird. Solange der Akku mit dem angeschlossenen Ladegerät verbunden ist, leuchtet die Ladeanzeige (9).

- ◆ Ein entladener Akku sollte innerhalb einer Woche wieder aufgeladen werden. Die Lebensdauer des Akkus sinkt drastisch, wenn dieser in entladener Zustand aufbewahrt wird.

### Lassen der Batterie in das Ladegerät

Sie können den Akku auf unbestimmte Zeit im Ladegerät belassen. Das Ladegerät hält den Akku in einem vollständig geladenen Zustand.

### Diagnose des Ladegeräts

Wenn das Ladegerät einen schwachen oder beschädigten Akku feststellt, blinkt die Ladeanzeige (9) in schneller Folge rot auf. Gehen Sie folgendermaßen vor:

- ◆ Setzen Sie den Akku (7) erneut ein.
- ◆ Falls die Ladeanzeige weiterhin in schneller Folge rot aufblinkt, verwenden Sie einen anderen Akku, um herauszufinden, ob der Ladevorgang ordnungsgemäß ausgeführt wird.
- ◆ Wenn der ersetzte Akku ordnungsgemäß geladen wird, ist der ursprüngliche Akku defekt. Geben Sie diesen bei einem Service Center ab, damit er recycelt werden kann.
- ◆ Wenn bei dem neuen Akku dieselbe Anzeige erscheint wie bei dem ursprünglichen Akku, lassen Sie das Ladegerät von einer autorisierten Vertragswerkstatt überprüfen.

**Hinweis:** Es kann bis zu 60 Minuten dauern, bis sich herausstellt, ob der Akku tatsächlich defekt ist. Falls der Akku zu warm oder zu kalt sein sollte, blinkt die LED-Anzeige abwechselnd langsam und schnell rot auf. Die Anzeige blinkt hierbei einmal langsam, einmal schnell. Danach wiederholt sich der Vorgang.

### Ein- und Ausschalten (Abb. E)

Aus Sicherheitsgründen ist dieses Gerät mit einem Doppelschaltersystem ausgestattet. Dieses System verhindert ein unbeabsichtigtes Einschalten des Gerätes.

### Einschalten

- ◆ Drücken Sie die Einschaltsperrleiste (2) mit dem Daumen nach hinten und drücken Sie gleichzeitig auf den Ein-/Ausschalter (1).
- ◆ Lassen Sie die Einschaltsperrleiste (2) los.

### Ausschalten

- ◆ Lassen Sie den Ein-/Ausschalter (1) los.

Versuchen Sie nie, einen Schalter in eingeschaltetem Zustand zu blockieren.

### Hinweise für optimale Arbeitsergebnisse

- ◆ Schneiden Sie zuerst die Oberseite der Hecke. Neigen Sie das Gerät ein wenig (max. 15° von der Schnittlinie), damit die Messerspitzen mehr in Richtung der Hecke zeigen (Abb. F1). So schneiden die Messer besser. Halten Sie das Gerät im gewünschten Winkel und bewegen Sie es gleichmäßig entlang der Schnittlinie. Da die Messer an beiden Seiten schneiden, können Sie sowohl nach links als auch nach rechts schneiden.
- ◆ Um einen sehr geraden Schnitt zu erzielen, spannen Sie auf der gewünschten Höhe eine Schnur über die gesamte Länge der Hecke. Verwenden Sie die Schnur als Bezugslinie und schneiden Sie unmittelbar oberhalb der Schnur.
- ◆ Um flache Seiten zu erhalten, schneiden Sie aufwärts. Wenn die Messer nach unten schneiden, bewegen sich jüngere Zweige nach außen und bilden schmale Fetzen in der Hecke (Abb. F2).
- ◆ Achten Sie darauf, daß Sie nicht auf Fremdkörper stoßen. Passen Sie speziell auf harte Objekte wie Metalldraht und Gitter auf, da diese die Messer beschädigen können.
- ◆ Ölen Sie die Messer regelmäßig.

### Wann sollte man schneiden

- ◆ Im allgemeinen sind Hecken, die ihr Laub im Herbst verlieren, im Juni und im Oktober zu schneiden.
- ◆ Immergrüne Hecken sind im April und im August zu schneiden.
- ◆ Koniferen und andere schnell wachsende Straucharten können ab Mai etwa alle 6 Wochen geschnitten werden.

### Reinigung, Wartung und Aufbewahrung

Ihr Black & Decker Gerät wurde im Hinblick auf eine lange Lebensdauer und einen möglichst geringen Wartungsaufwand entwickelt. Ein dauerhafter, einwandfreier Betrieb setzt eine regelmäßige Pflege und Reinigung voraus. Ihr Ladegerät bedarf keinerlei Wartung außer einer regelmäßigen Reinigung.

**Achtung!** Bevor Sie irgendwelche Wartungsarbeiten vornehmen, entfernen Sie den Akku vom Gerät. Ziehen Sie den Netzstecker des Ladegeräts aus der Steckdose, bevor Sie es reinigen.

**Nach dem Gebrauch und vor dem Verstauen**

- ◆ Reinigen Sie nach dem Gebrauch vorsichtig die Messer. Geben Sie nach dem Reinigen zum Schutz vor Korrosion ein wenig Maschinenöl auf die Messer.
- ◆ Reinigen Sie regelmäßig die Lüftungsschlitze im Gerät mit Hilfe einer weichen Bürste oder eines trockenen Tuches.
- ◆ Reinigen Sie regelmäßig das Motorgehäuse mit Hilfe eines feuchten Tuches. Verwenden Sie keine scheuernden Reinigungsmittel oder Reinigungsmittel auf Lösungsmittelbasis.
- ◆ Stellen Sie vor und nach dem Gebrauch sicher, dass alle Schalter frei von Verunreinigungen sind.

**Aufbewahrung**

Auch wenn das Gerät mehrere Monate lang nicht verwendet wird, lassen Sie es am besten am Ladegerät angeschlossen.

Falls dies nicht möglich ist, gehen Sie folgendermaßen vor:

- ◆ Laden Sie den Akku vollständig.
- ◆ Entfernen Sie den Akku vom Gerät.
- ◆ Bewahren Sie das Gerät und den Akku an einem sicheren und trockenen Ort auf. Die Temperatur am Aufbewahrungsort muß immer im Bereich zwischen +10°C und +40°C liegen. Stellen Sie den Akku auf einer ebenen Oberfläche auf.
- ◆ Bevor Sie das Gerät nach längerer Aufbewahrung wieder verwenden, laden Sie den Akku wieder vollständig auf.

**Störungsbehebung**

Falls das Gerät nicht einwandfrei arbeitet, überprüfen Sie Folgendes:

Störung	Mögliche Ursache	Abhilfe
Das Gerät startet nicht.	Der Akku ist nicht richtig angebracht.	Prüfen Sie die Anbringung des Akkus.
	Der Akku ist entladen.	Bringen Sie einen (vollständig) aufgeladenen Akku an.
	Die Einschaltsperrle wurde nicht betätigt.	Beachten Sie die Start-Reihenfolge.
	Die Polverbindungen sind nicht richtig angezogen.	Prüfen Sie die Verbindungen.
Der Akku wird nicht aufgeladen.	Der Akku ist nicht richtig angebracht.	Prüfen Sie die Anbringung des Akkus.

**Umweltschutz**



Getrennte Entsorgung. Dieses Produkt darf keinesfalls mit dem Hausmüll entsorgt werden.

Sollten Sie Ihr Black & Decker Produkt eines Tages ersetzen oder nicht mehr benötigen, entsorgen Sie es nicht mit dem Hausmüll. Führen Sie das Produkt einer getrennten Sammlung zu.



Durch die getrennte Sammlung von ausgedienten Produkten und Verpackungsmaterialien können Rohstoffe recycelt und wiederverwendet werden. Die Wiederverwendung aufbereiteter Materialien trägt zur Vermeidung der Umweltverschmutzung bei und senkt den Rohstoffbedarf.

Die Verordnung zur Abfallentsorgung Ihrer Gemeinde sieht möglicherweise vor, dass Elektrogeräte getrennt vom Hausmüll gesammelt, an der örtlichen Abfallentsorgungseinrichtung abgegeben oder beim Kauf eines neuen Produkts vom Fachhandel zur Entsorgung angenommen werden müssen.

Black & Decker nimmt Ihre ausgedienten Black & Decker Geräte gern zurück und sorgt für eine umweltfreundliche Entsorgung bzw. Wiederverwertung. Um diese Dienstleistung in Anspruch zu nehmen, geben Sie das Gerät bitte bei einer autorisierten Reparaturwerkstatt ab, die für uns die Einsammlung übernimmt.

Bitte fragen Sie Ihre zuständige Black & Decker Niederlassung (Adresse in dieser Anleitung) nach einer Vertragswerkstatt in Ihrer Nähe. Außerdem ist eine Liste der Vertragswerkstätten und aller Kundendienststellen von Black & Decker sowie der zuständigen Ansprechpartner im Internet zu finden unter: [www.2helpU.com](http://www.2helpU.com).

**Batterien**



Denken Sie bei der Entsorgung von verbrauchten Batterien und Akkus an unsere Umwelt:

- ◆ Achten Sie darauf, dass die Akkukontakte nicht kurzgeschlossen werden.
- ◆ Werfen Sie Akkus nicht ins Feuer, da dies Verletzungen oder eine Explosion zur Folge haben kann.
- ◆ Entladen Sie den Akku vollständig, und entfernen Sie ihn dann aus dem Gerät.
- ◆ Akkus können recycelt werden. Verpacken Sie die Akkus in einem geeigneten Behälter, sodass die Akkukontakte nicht kurzgeschlossen werden können. Bringen

Sie die Batterien oder Akkus zu einer autorisierten Vertragswerkstatt oder zu einer Rücknahmestelle in Ihrer Nähe.

**Technical data**

<b>GTC1843L H1</b>	
Spannung	Vdc 18
Messerhübe (Leerlauf)	min <sup>-1</sup> 1,400
Messeriänge	cm 43
Messeröffnung	mm 12
Messerbremszeit	s < 1,0
Gewicht (ohne Akku)	kg 3,2

<b>Akku BL1518</b>	
Spannung	Vdc 18
Kapazität	Ah 1,5
Akkutyp	Li-Ion

<b>Ladegerät 905531** TYPE 1</b>	
Eingangsspannung	Vac 230
Ausgangsspannung	Vdc 20,5
Ausgangsstrom	mA 200

Höhe des Schalldrucks, gemessen nach EN60745:  
 $L_{pA}$  (Schalldruck) 82 dB(A), Unsicherheitsfaktor (K) 3 dB(A)  
 $L_{WA}$  (Schalleistung) 93 dB(A). Unsicherheitsfaktor (K) 3 dB(A)

Gesamtvibration (Triax-Vektorsumme)  
 gemäß EN 60745:

Vibrationsemissionswert ( $a_n$ ) 1,1 m/s<sup>2</sup>,  
 Unsicherheitsfaktor (K) 1,5 m/s<sup>2</sup>

## EU-Konformitätserklärung

### RICHTLINIE FÜR MASCHINEN

**GTC1843L**

Black & Decker erklärt, daß diese unter „Technische Daten“ beschriebenen Produkte folgende Richtlinien erfüllen:  
 2006/42/EG, EN 60745-1, EN 60745-2-15

2000/14/EG, Heckenschere, 1400 min<sup>-1</sup>, Anhang V  
 $L_{WA}$  (gemessene Schalleistung) 93 dB(A),  
 Unsicherheitsfaktor (K) 3 dB(A)  
 $L_{WA}$  (garantierte Schalleistung) 95 dB(A),  
 Unsicherheitsfaktor (K) 3 dB(A)

Diese Produkte entsprechen auch Richtlinie 2004/108/EG.  
 Weitere Informationen erhalten Sie von Black & Decker unter der folgenden Adresse bzw. mithilfe der Angaben auf der Rückseite dieser Anleitung.

Der Unterzeichnete ist verantwortlich für die Zusammenstellung der technischen Daten und gibt diese Erklärung im Namen von Black & Decker ab.

Kevin Hewitt  
 Vice-President Global Engineering  
 Black & Decker Europe, 210 Bath Road, Slough,  
 Berkshire, SL1 3YD  
 Großbritannien  
 19-10-2010

## Garantie

Black & Decker vertraut auf die Qualität der eigenen Geräte und bietet dem Käufer eine außergewöhnliche Garantie. Diese Garantiezusage versteht sich unbeschadet der gesetzlichen Gewährleistungsansprüche und schränkt diese keinesfalls ein. Sie gilt in sämtlichen Mitgliedsstaaten der Europäischen Union und der Europäischen Freihandelszone EFTA.

Tritt innerhalb von 24 Monaten ab Kaufdatum an einem Gerät von Black & Decker ein auf Material- oder Verarbeitungsfehler zurückzuführender Mangel auf, garantiert Black & Decker den Austausch defekter Teile, die Reparatur von Geräten mit üblichem Verschleiß bzw. den Austausch eines mangelhaften Gerätes, ohne den Kunden dabei mehr als unbedingt nötig in Anspruch zu nehmen, allerdings vorbehaltlich folgender Ausnahmen:

- ◆ wenn das Gerät gewerblich, beruflich oder im Verleihgeschäft benutzt wurde;
- ◆ wenn das Gerät missbräuchlich verwendet oder mit mangelnder Sorgfalt behandelt wurde;
- ◆ wenn das Gerät durch irgendwelche Fremdeinwirkung beschädigt wurde;
- ◆ wenn ein unbefugter Reparaturversuch durch anderes Personal als das einer Vertragswerkstatt oder des Black & Decker-Kundendienstes unternommen wurde.

Zur Inanspruchnahme dieser Garantie ist dem Verkäufer bzw. der Vertragswerkstatt ein Kaufnachweis vorzulegen. Die Adresse der zuständigen Niederlassung von Black & Decker steht in dieser Anleitung. Dort teilt man Ihnen gerne die nächstgelegene Vertragswerkstatt mit. Außerdem ist eine Liste der Vertragswerkstätten und aller Kundendienststellen von Black & Decker sowie der zuständigen Ansprechpartner im Internet zu finden unter: **www.2helpU.com**

Bitte besuchen Sie unsere Webseite **www.blackanddecker.de**, um Ihr neues Black & Decker-Produkt zu registrieren und sich über neue Produkte und Sonderangebote zu informieren. Weitere Informationen über die Marke Black & Decker und unsere Produkte finden Sie unter **www.blackanddecker.de**.

## Utilisation

Votre taille-haies Black & Decker a été conçu pour la taille de haies, d'arbustes et de ronces. Cet outil a été conçu pour une utilisation exclusivement domestique.

Votre chargeur Black & Decker a été conçu pour le chargement de batteries Black & Decker identiques à celles fournies avec cet outil.

## Consignes de sécurité

### Consignes de sécurité concernant les outils électroportatifs



**Attention ! Lisez avec attention tous les avertissements et toutes les instructions.** Le non-respect de cette consigne peut entraîner une électrocution, un incendie et/ou de graves blessures.

### Conservez tous les avertissements et instructions pour référence ultérieure.

La notion d'« outil électroportatif » mentionnée par la suite se rapporte à des outils électriques raccordés au secteur (avec câble de raccordement) ou fonctionnant avec piles (sans fil).

#### 1. Sécurité de la zone de travail

- a. **Maintenez la zone de travail propre et bien éclairée.**  
Un lieu de travail en désordre ou mal éclairé augmente le risque d'accidents.
- b. **N'utilisez pas les outils électroportatifs dans un environnement présentant des risques d'explosion ni en présence de liquides, gaz ou poussières inflammables.** Les outils électroportatifs génèrent des étincelles risquant d'enflammer les poussières ou les vapeurs.
- c. **Tenez les enfants et autres personnes éloignés durant l'utilisation de l'outil électroportatif.** En cas d'inattention, vous risquez de perdre le contrôle de l'outil.

#### 2. Sécurité électrique

- a. **La prise de l'outil électroportatif doit être compatible avec la prise d'alimentation. Ne modifiez en aucun cas la prise. N'utilisez pas de prises d'adaptateur avec des appareils ayant une prise de terre.** Le respect de ces consignes réduit le risque de choc électrique.
- b. **Évitez le contact physique avec des surfaces mises à la terre telles que tuyaux, radiateurs, fours et réfrigérateurs.** Le risque de choc électrique augmente si votre corps est relié à la terre.
- c. **N'exposez pas l'outil électroportatif à la pluie ou à l'humidité.** La pénétration d'eau dans un outil électroportatif augmente le risque de choc électrique.

- d. **Préservez le câble d'alimentation. N'utilisez pas le câble pour porter l'outil, pour l'accrocher. Ne le tirez pas pour le débrancher. Maintenez le câble éloigné des sources de chaleurs, des parties huilées, des bords tranchants ou des parties de l'appareil en rotation.** Le risque de choc électrique augmente si les câbles sont endommagés ou emmêlés.
- e. **Si vous utilisez l'outil électroportatif à l'extérieur, utilisez une rallonge homologuée pour une utilisation à l'extérieur.** L'utilisation d'une rallonge électrique homologuée pour les travaux à l'extérieur réduit le risque de choc électrique.
- f. **Si l'outil doit être utilisé dans un endroit humide, prenez les précautions nécessaires en utilisant un dispositif à courant résiduel (RCD).** L'utilisation d'un tel dispositif réduit les risques d'électrocution.

#### 3. Sécurité personnelle

- a. **Restez vigilant, surveillez ce que vous faites. Faites preuve de bon sens quand vous utilisez un outil électroportatif. N'utilisez pas l'outil lorsque vous êtes fatigué ou après avoir consommé de l'alcool ainsi que des médicaments.** Un moment d'inattention en utilisant l'outil peut entraîner de graves blessures.
- b. **Portez un équipement de protection. Portez toujours des lunettes de protection.** Selon le travail à effectuer, le port d'équipement de protection tels que masque anti-poussières, chaussures de sécurité antidérapantes, casque ou protection auditive, réduit le risque de blessures.
- c. **Évitez un démarrage imprévu. L'outil doit être en position OFF (arrêt) avant d'effectuer le branchement à l'alimentation et/ou au bloc-batterie, de le ramasser ou de le porter.** Ne laissez pas votre doigt sur le bouton de commande en le transportant. N'alimentez pas l'outil si le bouton est activé. Ceci pourrait être à l'origine d'accident.
- d. **Enlevez tout outil ou clé de réglage avant de mettre l'appareil en marche.** Une clé ou un outil se trouvant sur une partie en rotation peut causer des blessures.
- e. **Adoptez une position confortable. Adoptez une position stable et gardez votre équilibre en permanence.** Vous contrôlerez ainsi mieux l'outil dans des situations inattendues.
- f. **Portez des vêtements appropriés. Ne portez pas de vêtements amples ou de bijoux. N'approchez pas les cheveux, vêtements ou gants des parties des pièces mobiles.** Les vêtements amples, les bijoux ou les cheveux longs peuvent s'accrocher dans les pièces en mouvement.

- g.** En cas d'utilisation d'appareils servant à aspirer ou à recueillir les poussières, assurez-vous qu'ils sont correctement raccordés et utilisés. L'utilisation de tels dispositifs réduit les dangers dus aux poussières.
- 4. Utilisation des outils électroportatifs et précautions**
- a.** Respectez la capacité de l'outil. Utilisez l'outil électroportatif approprié pour le travail à effectuer. Avec un outil approprié, vous travaillerez mieux et en toute sécurité.
- b.** N'utilisez pas un outil électroportatif dont l'interrupteur est défectueux. Un outil électroportatif qui ne répond pas à la commande marche/arrêt est dangereux et doit être réparé.
- c.** Retirez la prise de courant et/ou débranchez le bloc-batterie avant d'effectuer des réglages, de changer les accessoires ou de ranger l'outil. Cette mesure de précaution empêche de mettre l'outil en marche accidentellement.
- d.** Rangez les outils électroportatifs hors de portée des enfants. Les personnes ne connaissant pas l'outil ou n'ayant pas lu ces instructions ne doivent en aucun cas l'utiliser. Les outils électroportatifs sont dangereux lorsqu'ils sont utilisés par des personnes non initiées.
- e.** Entretenez les outils électroportatifs. Vérifiez que les parties en mouvement fonctionnent correctement et qu'elles ne sont pas coincées. Vérifiez qu'il n'y a pas de pièces cassées ou endommagées susceptibles de nuire au bon fonctionnement de l'outil. S'il est endommagé, faites réparer l'outil avant de l'utiliser. De nombreux accidents sont la conséquence d'outils mal entretenus.
- f.** Maintenez les outils de coupe aiguisés et propres. Des outils soigneusement entretenus avec des bords tranchants bien aiguisés se coincent moins souvent et peuvent être guidés plus facilement.
- g.** Utilisez les outils électroportatifs, les accessoires, etc., en suivant ces instructions et en tenant compte des conditions de travail, ainsi que du travail à effectuer. L'utilisation des outils électroportatifs à d'autres fins que celles prévues peut vous mettre en situation dangereuse.
- 5. Utilisation de la batterie et précautions**
- a.** Ne rechargez qu'avec le chargeur proposé par le fabricant. Un chargeur destiné à un type de bloc-batteries risque de provoquer des incendies s'il est utilisé avec un bloc-batteries différent.
- b.** N'utilisez les appareils électroportatifs qu'avec le bloc-batterie approprié. L'utilisation d'un autre bloc-batterie peut provoquer des blessures ou être à l'origine d'un feu.
- c.** Quand le bloc-batterie n'est pas utilisé, éloignez-le d'objets en métal comme des agrafes, des pièces, des clés, des clous, des vis ou autres petits objets qui pourraient établir une connexion d'une borne à l'autre. Un tel court-circuit peut être à l'origine d'un feu ou de brûlures.
- d.** En cas d'utilisation excessive, le liquide peut sortir de la batterie; évitez tout contact. Si vous n'avez pu éviter le contact, rincez à l'eau. En cas de contact avec les yeux, consultez un médecin. Le liquide sortant des batteries peut causer des irritations ou des brûlures.
- 6. Réparations**
- a.** Faites réparer votre outil électroportatif uniquement par du personnel qualifié et seulement avec des pièces de rechange appropriées. Cela garantira le maintien de la sécurité de votre outil.

#### Consignes de sécurité supplémentaires concernant les outils électroportatifs



**Attention !** Avertissements de sécurité supplémentaires pour les scies sauteuses et alternatives.

- ◆ Pour les découpes, tenez l'outil au niveau des surfaces de prise isolées. En effet, la lame risque de toucher un câblage caché ou le cordon d'alimentation de l'outil. En touchant un fil sous tension, la charge électrique est transmise dans les parties métalliques de l'outil et il y a risque de choc électrique.
- ◆ Maintenez toutes les parties du corps à l'écart de la lame de coupe. Ne retirez pas le matériau coupé et ne tenez pas le matériau à couper si les lames sont en mouvement. Assurez-vous que l'interrupteur est coupé lorsque vous dégagez du matériau bloqué. Un moment d'inattention lors de l'utilisation de l'outil peut entraîner de graves blessures.
- ◆ Transportez la taille-haies par sa poignée avec la lame de coupe bloquée. Pour transporter ou ranger le taille-haies, installez toujours le cache du dispositif de coupe. Une manutention appropriée du taille-haies devrait réduire les blessures potentielles occasionnées par les lames de coupe.
- ◆ Maintenez les câbles écartés de la zone de coupe. Pendant le fonctionnement, le câble peut être caché dans les arbustes et être coupé accidentellement.
- ◆ Le domaine d'utilisation de l'outil est décrit dans le présent manuel. L'utilisation d'accessoires ou la réalisation d'opérations avec cet outil autres que ceux recommandés dans le présent manuel peut entraîner un risque de blessure ou de dégâts.

- ◆ Ne portez pas l'outil avec les mains sur l'interrupteur de la poignée avant ou l'interrupteur de mise en marche sauf si la batterie a été enlevée.
- ◆ Si vous n'avez jamais utilisé de taille-haies, demandez de préférence à un utilisateur expérimenté de vous donner des instructions pratiques et étudiez également ce manuel.
- ◆ Ne touchez jamais les lames lorsque l'outil fonctionne.
- ◆ Ne tentez jamais de forcer sur les lames pour qu'elles s'arrêtent.
- ◆ Ne posez pas l'outil avant que les lames ne se soient complètement arrêtées.
- ◆ Vérifiez régulièrement si les lames ne sont pas endommagées ou usées. N'utilisez pas l'outil lorsque les lames sont endommagées.
- ◆ Veillez à éviter les objets durs (par ex. fil de fer, clôtures) lorsque vous procédez à la taille. Si vous heurtez accidentellement un tel objet, éteignez immédiatement l'outil et vérifiez qu'aucun dommage ne s'est produit.
- ◆ Si l'outil commence à vibrer de façon anormale, arrêtez-le immédiatement et vérifiez qu'aucun dommage ne s'est produit.
- ◆ Si l'outil cale, éteignez-le immédiatement. Enlevez la batterie avant d'essayer de retirer tout débris pouvant l'obstruer.
- ◆ Après utilisation, placez l'étui de protection fourni sur les lames. Rangez l'outil et veillez à ce que la lame ne soit pas découverte.
- ◆ Assurez-vous toujours que les protections sont toutes installées lorsque vous utilisez l'outil. N'utilisez pas un outil incomplet ou modifié de façon non autorisée.
- ◆ Ne permettez pas aux enfants d'utiliser l'outil.
- ◆ Faites attention à la chute de débris lorsque vous taillez les côtés les plus hauts d'une haie.
- ◆ Tenez toujours l'outil à deux mains par les poignées prévues à cet effet.

### Sécurité des personnes

- ◆ Cet outil ne doit pas être utilisé par des personnes (y compris les enfants) ayant des déficiences physiques, mentales ou sensorielles. Cette consigne s'applique aussi aux personnes manquant d'expérience et de connaissance du matériel, à moins que celles-ci n'aient reçu les instructions appropriées ou qu'elles ne soient encadrées par une personne responsable de leur sécurité pour utiliser l'outil.
- ◆ Ne laissez jamais les enfants sans surveillance pour éviter qu'ils ne jouent avec cet outil.

### Vibration

La valeur d'émission de vibration déclarée dans la section Déclaration/Données techniques de conformité a été mesurée selon une méthode d'essai standard fournie par la norme EN 60745 et peut être utilisée pour comparer un outil à un autre. Elle peut aussi être utilisée pour une évaluation préliminaire à l'exposition.

**Attention !** Selon la manière dont l'outil est utilisé, la valeur d'émission de vibration pendant l'utilisation en cours de l'outil peut être différente de la valeur déclarée. Le niveau de vibration peut augmenter au-dessus du niveau établi.

**Attention !** Quand l'exposition aux vibrations est évaluée afin de déterminer les mesures de sécurité requises par la norme 2002/44/EC pour protéger les personnes utilisant régulièrement des outils électroportatifs, il faut tenir compte une estimation de l'exposition aux vibrations, les conditions actuelles d'utilisation et la manière dont l'outil est utilisé. Il faut aussi tenir compte de toutes les pièces du cycle de fonctionnement comme la durée pendant laquelle l'outil est arrêté et quand il fonctionne au ralenti, ainsi que la durée du déclenchement.

### Symboles de prévention

Les symboles de prévention suivants se trouvent sur l'outil :



**Attention !** Afin de réduire les risques de blessures, l'utilisateur doit lire le manuel d'instructions.



N'utilisez pas l'outil par temps humide et protégez-le de la pluie.



Portez toujours des chaussures de sécurité non glissantes.



**Attention !** Ne touchez pas la chaîne au point d'éjection des copeaux.



Portez toujours un casque de sécurité et une protection auditive.



Pour continuer à utiliser l'appareil en toute sécurité, vérifiez la tension de la chaîne (dans ce manuel) toutes les 10 minutes et ajustez en laissant un jeu de 3 mm, comme requis.



Prenez garde aux chutes d'objets. Éloignez les personnes se trouvant à proximité.





Risque d'électrocution. Écartez-vous d'au moins 10 m des lignes électriques en hauteur.

### Risques résiduels

L'utilisation d'un outil non mentionné dans les consignes de sécurité données peut entraîner des risques résiduels supplémentaires. Ces risques peuvent survenir si l'outil est mal utilisé, si l'utilisation est prolongée, etc.

Malgré l'application des normes de sécurité correspondantes et la présence de dispositifs de sécurité, les risques résiduels suivants ne peuvent être évités. Ceci comprend :

- ◆ Les blessures dues au contact avec une pièce mobile/ en rotation.
- ◆ Les blessures causées en changeant des pièces, lames ou accessoires.
- ◆ Les blessures dues à l'utilisation prolongée d'un outil. Une utilisation prolongée de l'outil nécessite des pauses régulières.
- ◆ Déficience auditive.
- ◆ Risques pour la santé causés par l'inhalation de poussières produites pendant l'utilisation de l'outil (exemple : travail avec du bois, surtout le chêne, le hêtre et les panneaux en MDF).

### Consignes de sécurité supplémentaires concernant les batteries et les chargeurs

#### Batteries

- ◆ En aucun cas, n'essayez d'ouvrir l'appareil.
- ◆ Ne mettez pas la batterie en contact avec l'eau.
- ◆ N'approchez pas la batterie d'une source de chaleur.
- ◆ Ne le rangez pas dans des endroits où la température peut dépasser 40°C.
- ◆ Ne chargez qu'à température ambiante comprise entre 10°C et 40°C.
- ◆ N'utilisez que le chargeur fournis avec l'appareil/outil. Le non respect de cette consigne pourrait entraîner un électrotraumatisme ou une surchauffe de la batterie.
- ◆ Pour la mise au rebut des batteries, suivez les instructions données dans la section « Protection de l'environnement ».
- ◆ Ne déformez/n'endommagez pas le bloc batterie en le perçant ou en le cognant, ceci pourrait entraîner des blessures et un incendie.
- ◆ Ne chargez pas les batteries endommagées.

- ◆ Dans des conditions extrêmes, une batterie peut couler. Si vous détectez une fuite, utilisez un chiffon pour essuyer le liquide avec précaution. Évitez tout contact avec la peau.
- ◆ En cas de contact avec la peau ou les yeux, suivez les instructions ci-dessous.

**Attention ! Le liquide de batterie peut provoquer des blessures ou des dommages. En cas de contact avec la peau, rincez immédiatement à l'eau. Si des rougeurs, une douleur ou une irritation se produisent, consultez un médecin. En cas de contact avec les yeux, rincez à l'eau et consultez immédiatement un médecin.**

#### Chargeurs

**Attention !** Votre chargeur doit être utilisé avec une tension spécifique. Vérifiez toujours si la tension indiquée sur la plaque signalétique de l'appareil correspond à la tension de secteur.

**Attention ! N'essayez jamais de remplacer le chargeur par une prise secteur.**

- ◆ N'utilisez votre chargeur Black & Decker que pour charger la batterie fournie avec l'appareil/outil. D'autres batteries pourraient exploser, provoquant des blessures et des dommages.
- ◆ Ne tentez jamais de recharger des batteries non rechargeables.
- ◆ Si le câble d'alimentation est endommagé, il doit être remplacé par le fabricant ou par un centre de réparation agréé Black & Decker pour éviter tout risque.
- ◆ Ne mettez pas le chargeur en contact avec l'eau.
- ◆ N'ouvrez pas le chargeur.
- ◆ Ne testez pas le chargeur.
- ◆ Pour le chargement, placez le chargeur dans un endroit correctement aéré.

#### Symboles sur le chargeur

Les symboles suivants se trouvent sur votre chargeur :



Votre chargeur est doublement isolé ; par conséquent, aucun câble de masse n'est nécessaire. Vérifiez toujours que la tension du secteur correspond à la tension indiquée sur la plaque d'identification. Ne tentez jamais de remplacer le chargeur par une prise au secteur normale.

Si le câble d'alimentation est endommagé, il doit être remplacé par le fabricant ou par un centre de réparation agréé Black & Decker pour éviter tout risque.





Le chargeur a été conçu pour être utilisé uniquement à l'intérieur.



Lisez le manuel d'instruction avant utilisation.

### Généralités

1. Interrupteur marche/arrêt
2. Bouton de blocage
3. Poignée principale
4. Tête de taille-haie
5. Lame
6. Étui de protection des lames
7. Batterie

### Fig. A

8. Chargeur
9. Voyant de charge

## Montage

**Attention !** Pour éviter toute mise en marche accidentelle, assurez-vous de retirer la batterie et de mettre en place l'étui de protection des lames avant d'effectuer les opérations suivantes. Le non respect de ces instructions est susceptible de provoquer des blessures graves.

### Montage et retrait de la tête de taille-haies (fig. C)

#### Montage de la tête de taille-haies

- ◆ Alignez l'encoche sur la partie externe de l'extrémité de couplage de la poignée (3) avec la languette à l'intérieur de l'extrémité de couplage de la tête (4).
- ◆ Poussez la tête (4) sur la poignée (3).
- ◆ Faites glisser le collet (11) vers le bas et tournez dans le sens horaire pour serrer à fond.

**Attention !** Vérifiez régulièrement les raccords pour vous assurer qu'ils sont fermement serrés. Le collet est bien bloqué si aucun filet orange n'est visible.

#### Retrait de la tête de taille-haies

- ◆ Reposez la poignée (3) au sol, desserrez le collet (11) et retirez la tête (4).

#### Réglage de l'angle de la tête de taille-haies (fig. D)

La tête de taille-haies pivote à 180° et peut être bloquée dans 5 positions sur cet intervalle.

**Attention !** Pour éviter de vous pincer, portez des gants et tenez l'unité comme illustré.

- ◆ Reposez la poignée (3) au sol, glissez le collet (12) vers le bas et déplacez la tête (4) selon les besoins. Assurez-vous que la tête de taille-haies est bien enclenchée.

### Mise en place et retrait de la batterie (fig. B)

- ◆ Pour mettre la batterie en place (7), alignez-la avec le boîtier sur l'outil. Faites glisser la batterie dans le boîtier et poussez pour l'enclencher.
- ◆ Pour retirer la batterie, appuyez sur le bouton de déverrouillage (10) tout en retirant la batterie du boîtier.

## Utilisation

**Attention !** Laissez l'outil fonctionner à sa propre vitesse. Ne le poussez pas au-delà de sa limite.

### Charge de la batterie (figure A)

La batterie doit être chargée avant la première utilisation et chaque fois qu'elle semble faible.

La batterie peut chauffer pendant la charge. Ceci est un phénomène normal qui ne présente pas un problème.

**Attention !** Ne chargez pas la batterie si la température ambiante est inférieure à 10°C ou supérieure à 40°C. Température de charge recommandée : environ 24°C.

**Remarque :** Le chargeur ne chargera pas le bloc-batteries si la température de l'élément est inférieure à environ 10°C ou supérieure à 40°C. Le bloc-batteries doit rester dans le chargeur. Le chargeur commence automatiquement la charge quand la température de l'élément se réchauffe ou se refroidit.

- ◆ Pour charger la batterie (7), retirez-la de l'outil et insérez-la dans le chargeur (8). Il n'y a qu'un moyen d'insérer la batterie sur le chargeur. Ne forcez pas. Assurez-vous que la batterie est complètement enclenchée dans le chargeur.
- ◆ Branchez le chargeur au secteur.
- ◆ Le témoin de charge (9) clignote continuellement en vert (lentement).

Le processus est terminé quand le témoin de charge (9) reste allumé continuellement en vert. Le chargeur et la batterie peuvent rester connectés en permanence avec le témoin allumé. Le témoin peut se mettre à clignoter en vert (charge) si le chargeur détecte qu'il faut compléter la charge de la batterie. Le témoin de charge (9) clignote aussi longtemps que la batterie est branchée.

- ◆ Rechargez les batteries toutes les semaines. Il est préférable de ne pas ranger la batterie si elle est déchargée. La durée de vie de la batterie en serait limitée.

### Laisser la batterie dans le chargeur

Le chargeur et la batterie peuvent rester connectés en permanence avec le témoin allumé. Le chargeur maintient le bloc-batteries complètement chargé.

### Diagnostics du chargeur

Si le chargeur détecte des dommages ou une usure de la batterie, le témoin de charge (9) clignote rapidement en rouge. Procédez comme suit :

- ◆ Réinsérez la batterie (7).
- ◆ Si le témoin de charge continue de clignoter rapidement en rouge, déterminez à l'aide d'une autre batterie si le processus de charge fonctionne correctement.
- ◆ Si la batterie d'essai se charge correctement, la batterie d'origine est défectueuse et doit être renvoyée au centre de réparation pour être recyclée.
- ◆ Si la nouvelle batterie signale le même problème, demandez à un centre de réparation autorisé de tester le chargeur.

**Remarque :** La détection de la défaillance peut prendre jusqu'à 60 minutes. Si le bloc-batteries est trop chaud ou trop froid, le témoin alterne un clignotement lent, puis un clignotement rapide en rouge et ainsi de suite.

### Démarrage et arrêt (fig. E)

Pour des raisons de sécurité, cet outil est équipé d'un système d'interrupteur double. Ce système empêche un démarrage involontaire de l'outil.

#### Démarrage

- ◆ Tirez sur le bouton de blocage (2) avec le pouce et appuyez en même temps sur l'interrupteur de mise en marche (1).
- ◆ Lâchez le bouton de blocage (2).

#### Arrêt

- ◆ Relâchez l'interrupteur de mise en marche (1).

**Attention !** N'essayez jamais de bloquer l'interrupteur en position de marche.

### Conseils pour une utilisation optimale

- ◆ Commencez par tailler le haut de la haie. Inclinez légèrement l'outil (jusqu'à 15° par rapport à la ligne de coupe) afin que l'extrémité des lames pointent légèrement vers la haie (fig. F1). Les lames pourront ainsi couper de façon plus efficace. Tenez l'outil à l'angle désiré et déplacez-le régulièrement le long de la ligne de coupe. La lame à double tranchant vous permet de couper dans les deux sens.
- ◆ Afin d'obtenir une coupe très droite, tendez un bout de ficelle sur la longueur de la haie à la hauteur désirée. Utilisez la ficelle comme guide, et coupez juste au-dessus d'elle.

- ◆ Pour obtenir des côtés plats, coupez la végétation de bas en haut. Les tiges plus jeunes vont vers l'extérieur lorsque la lame coupe de haut en bas, ce qui produit des trous sur la surface de la haie (fig. F2).
- ◆ Veillez à éviter tout corps étranger. Évitez en particulier tout objet dur tel que le fil de fer et les clôtures qui pourraient endommager les lames.
- ◆ Graissez régulièrement les lames.

### Quand tailler ?

- ◆ Taillez les haies à feuillage non persistant en juin et en octobre.
- ◆ Taillez les feuillages persistants en avril et en août.
- ◆ Les conifères peuvent être taillés toutes les 6 semaines de mai à octobre.

### Nettoyage, entretien et rangement

Votre outil Black & Decker a été conçu pour fonctionner pendant longtemps avec un minimum d'entretien. Un fonctionnement continu satisfaisant dépend d'un nettoyage régulier et d'un entretien approprié de l'outil. Votre chargeur ne nécessite aucun entretien autre qu'un nettoyage régulier.

**Attention !** Avant de procéder à tout entretien de l'outil, retirez la batterie. Débranchez le chargeur avant de le nettoyer.

#### Après usage et avant le rangement

- ◆ Après utilisation, nettoyez soigneusement les lames. Après les avoir nettoyées, appliquez une fine couche d'huile de machine pour éviter qu'elles ne rouillent.
- ◆ Nettoyez régulièrement les orifices de ventilation de votre outil à l'aide d'une brosse douce ou d'un chiffon sec.
- ◆ Nettoyez régulièrement le compartiment du moteur à l'aide d'un chiffon humide. N'utilisez pas de produit abrasif ou à base de solvant.
- ◆ Assurez-vous que tous les interrupteurs sont sans débris avant et après usage.

#### Stockage

Si l'outil ne doit pas être utilisé pendant plusieurs mois, l'idéal serait de laisser la batterie connectée au chargeur.

Sinon, procédez comme suit :

- ◆ Chargez complètement la batterie.
- ◆ Retirez la batterie de l'outil.
- ◆ Conservez l'outil et la batterie dans un endroit sûr et sec. La température de stockage doit toujours être entre +10°C et +40°C. Placez la batterie sur une surface nivelée.
- ◆ Avant d'utiliser l'outil après une inutilisation prolongée, rechargez complètement la batterie.

## Dépannage

Si l'outil ne fonctionne pas correctement, contrôlez les points suivants :

Erreur	Cause possible	Action
L'outil ne démarre pas.	Batterie mal installée.	Vérifiez l'installation de la batterie.
	Batterie déchargée.	Installez une batterie (complètement) chargée.
	Bouton de blocage non actionné.	Observez la procédure de mise en marche.
	Connexions de pôles mal serrées.	Vérifiez les connexions.
Batterie ne se charge pas.	Batterie mal installée.	Vérifiez l'installation de la batterie.

## Protection de l'environnement



Recyclage. Cet appareil ne doit pas être jeté avec les déchets ménagers.

Si votre outil Black & Decker doit être remplacé ou si vous ne l'utilisez plus, ne le jetez pas avec les ordures ménagères. Songez à la protection de l'environnement et recyclez-le.



La collecte séparée des produits et des emballages usagés permet de recycler et de réutiliser des matériaux. La réutilisation de matériaux recyclés évite la pollution de l'environnement et réduit la demande de matières premières.

Des réglementations locales peuvent stipuler la collecte séparée des produits électriques et des produits ménagers, dans des déchetteries municipales ou par le revendeur lorsque vous achetez un nouveau produit.

Black & Decker offre une solution permettant de recycler les produits Black & Decker lorsqu'ils ont atteint la fin de leur cycle de vie. Pour pouvoir profiter de ce service, veuillez retourner votre produit à un réparateur agréé qui se chargera de le collecter pour nous.

Pour connaître l'adresse du réparateur agréé le plus proche de chez vous, contactez le bureau Black & Decker à l'adresse indiquée dans ce manuel. Vous pourrez aussi trouver une liste de réparateurs agréés de Black & Decker et de plus amples détails sur notre service après-vente sur le site Internet à l'adresse suivante : [www.2helpU.com](http://www.2helpU.com).

## Piles



Quand elles sont hors d'usage, jetez-les en respectant les normes de protection de l'environnement.

- ◆ Ne court-circuitez pas les bornes de la batterie.
- ◆ Ne jetez pas la ou les batteries dans le feu, elles pourraient exploser ou être à l'origine d'un risque de blessure.
- ◆ Déchargez complètement la batterie, puis retirez-la de l'outil.
- ◆ Les batteries sont recyclables. Placez la ou les batteries dans un emballage approprié pour éviter un court-circuit des bornes. Déposez-les chez un technicien d'entretien agréé ou dans un centre de recyclage local.

## Caractéristiques techniques

GTC1843L H1	
Tension	Vdc 18
Courses des lames (sans charge)	min <sup>-1</sup> 1400
Longueur des lames	cm 43
Écart des lames	mm 12
Délai d'arrêt des lames	s <1.0
Poids (sans batterie)	kg 3,2

Batterie BL1518	
Tension	Vdc 18
Capacité	Ah 1,5
Type de batterie	Li-Ion

Chargeur 905531** TYPE 1	
Tension d'entrée	Vac 230
Tension de sortie	Vdc 20,5
Courant de sortie	mA 200

Niveau de pression sonore selon EN60745 :

$L_{PA}$  (pression sonore) 82 dB(A), incertitude (K) 3 dB(A)

$L_{WA}$  (puissance sonore) 93 dB(A), incertitude (K) 3 dB(A)

Valeurs totales des vibrations (somme vectorielle triaxiale) selon la norme EN 60745:

Valeur des émissions de vibration ( $a_h$ ) 1,1 m/s<sup>2</sup>, incertitude (K) 1,5 m/s<sup>2</sup>

## Déclaration de conformité CE

DIRECTIVES DE MACHINERIE



**GTC1843**

Black & Decker déclare que ces produits décrits sous les "caractéristiques techniques" sont conformes avec : 2006/42/CE, EN 60745-1, EN 60745-2-15

2000/14/CE, Taille-haies, 1400 min<sup>-1</sup>, Annexe V

$L_{WA}$  (pression sonore mesurée) 93 dB(A), incertitude (K) 3 dB(A)

$L_{WA}$  (pression sonore garantie) 95 dB(A), incertitude (K) 3 dB(A)

Ces produits sont également conformes à la directive 2004/108/CE.

Pour plus de renseignements, veuillez contacter Black & Decker à l'adresse suivante ou reportez-vous au dos du manuel.

Le soussigné est responsable des données de la fiche technique et fait cette déclaration au nom de Black & Decker.

Kevin Hewitt

Vice-President Global Engineering

Black & Decker Europe, 210 Bath Road, Slough,

Berkshire, SL1 3YD

Royaume-Uni

19-10-2010

## Garantie

Black & Decker assure la qualité de ses produits et vous offre une garantie très élargie. Ce certificat de garantie est un document supplémentaire et ne peut en aucun cas se substituer à vos droits légaux. La garantie est valable sur tout le territoire des États Membres de l'Union Européenne et de la Zone de Libre Échange Européenne.

Si un produit Black & Decker s'avère défectueux en raison de matériaux en mauvaises conditions, d'une erreur humaine, ou d'un manque de conformité dans les 24 mois suivant la date d'achat, Black & Decker garantit le remplacement des pièces défectueuses, la réparation des produits usés ou cassés ou remplace ces produits à la convenance du client, sauf dans les circonstances suivantes :

- ◆ Le produit a été utilisé dans un but commercial, professionnel, ou a été loué;
- ◆ Le produit a été mal utilisé ou utilisé avec négligence;
- ◆ Le produit a subi des dommages à cause d'objets étrangers, de substances ou à cause d'accidents;
- ◆ Des réparations ont été tentées par des techniciens ne faisant pas partie du service technique de Black & Decker.

Pour avoir recours à la garantie, il est nécessaire de fournir une preuve d'achat au vendeur ou à un réparateur agréé.

Pour connaître l'adresse du réparateur agréé le plus proche de chez vous, contactez le bureau Black & Decker à l'adresse indiquée dans ce manuel. Vous pourrez aussi trouver une liste de réparateurs agréés de Black & Decker et de plus amples détails sur notre service après-vente sur le site Internet à l'adresse suivante : [www.2helpU.com](http://www.2helpU.com).

Visitez notre site Web [www.blackanddecker.fr](http://www.blackanddecker.fr) pour enregistrer votre nouveau produit Black & Decker et être informé des nouveaux produits et des offres spéciales. Pour plus d'informations concernant la marque Black & Decker et notre gamme de produits, consultez notre site [www.blackanddecker.fr](http://www.blackanddecker.fr).

## Usò previsto

Il tagliasiepi Black & Decker è stato progettato per tagliare siepi, cespugli e fronde. L'utensile è stato progettato per un uso individuale.

Il vostro caricabatteria Black & Decker è stato progettato per caricare batterie Black & Decker del tipo fornito con questo utensile.

## Istruzioni di sicurezza

### Avvisi di sicurezza generici per gli elettrotensili



**Attenzione! Leggere tutti gli avvisi di sicurezza e tutte le istruzioni.** La mancata osservanza di tutte le istruzioni potrebbe causare scosse elettriche, incendi e/o infortuni gravi.

### Conservare tutte le istruzioni e le avvertenze per futura consultazione.

Il termine "elettrotensile" che ricorre in tutti gli avvisi seguenti si riferisce ad utensili elettrici con o senza filo.

#### 1. Sicurezza nella zona di lavoro

- Mantenere pulita e bene illuminata l'area di lavoro.** Il disordine o la scarsa illuminazione possono causare incidenti.
- Evitare d'impiegare gli elettrotensili in ambienti esposti al rischio di esplosione, ad esempio in presenza di liquidi, gas o polveri infiammabili.** Gli elettrotensili producono scintille che possono far infiammare la polvere o i fumi.
- Mantenere lontani bambini e osservatori mentre si usa l'elettrotensile.** Eventuali distrazioni possono comportare la perdita del controllo dell'elettrotensile.

#### 2. Sicurezza elettrica

- Le spine elettriche degli elettrotensili devono essere adatte alla presa. Evitare assolutamente di modificare la spina elettrica. Non usare adattatori con elettrotensili provvisti di messa a terra.** L'uso di spine inalterate e delle prese corrispondenti riduce il rischio di scosse elettriche.
- Evitare il contatto fisico con superfici collegate a terra, come tubi, radiatori, forni e frigoriferi.** Un corpo collegato a terra è esposto maggiormente al rischio di scosse elettriche.
- Custodire gli elettrotensili al riparo dalla pioggia o dall'umidità.** L'eventuale infiltrazione di acqua in un elettrotensile va ad aumentare il rischio di scosse elettriche.

- Non utilizzare il cavo in modo improprio. Non usare il cavo per trasportare o trainare l'elettrotensile e non tirarlo per estrarre la spina dalla presa di corrente. Mantenere il cavo al riparo da calore, olio, bordi taglienti e/o da parti in movimento.** I cavi danneggiati o aggrovigliati aumentano il rischio di scosse elettriche.
- Se l'elettrotensile viene adoperato all'aperto, usare esclusivamente prolunghie omologate per l'impiego all'esterno.** Un cavo adatto per uso esterno riduce il rischio di scosse elettriche.
- Se non è possibile evitare di lavorare in una zona umida, usare un'alimentazione elettrica protetta da un dispositivo a corrente residua (RCD).** L'uso di un dispositivo RCD riduce il rischio di scosse elettriche.

#### 3. Sicurezza delle persone

- È importante concentrarsi su ciò che si sta facendo e maneggiare con giudizio l'elettrotensile. Non adoperare l'elettrotensile se si è stanchi o sotto l'effetto di stupefacenti, alcol o medicinali.** Un attimo di distrazione durante l'uso dell'elettrotensile può causare gravi infortuni personali.
- Utilizzare un equipaggiamento di protezione personale. Indossare sempre occhiali di sicurezza.** Se si avrà cura d'indossare l'equipaggiamento protettivo necessario, ad esempio una maschera antipolvere, delle calzature antiscivolo, un casco o delle otoprotezioni, si ridurrà il rischio di infortuni.
- Impedire l'avviamento involontario. Accertarsi che l'interruttore di accensione sia spento prima di collegare l'elettrotensile all'alimentazione elettrica e/o al battery pack, di prenderlo in mano o di trasportarlo.** Per non esporsi al rischio di incidenti, non trasportare gli elettrotensili tenendo le dita sull'interruttore oppure, se sono collegati a un'alimentazione elettrica, con l'interruttore acceso.
- Prima di accendere un elettrotensile, togliere eventuali chiavi o attrezzi di regolazione.** Un attrezzo o una chiave lasciati in un componente mobile dell'elettrotensile possono causare infortuni.
- Non piegarsi eccessivamente in avanti. Mantenere sempre un buon equilibrio evitando posizioni instabili.** In questo modo è possibile controllare meglio l'elettrotensile in situazioni inaspettate.
- Vestirsi adeguatamente. Evitare di indossare indumenti larghi o gioielli. Tenere capelli, capi di vestiario e guanti lontani da parti in movimento.** Indumenti larghi, gioielli o capelli lunghi possono impigliarsi nelle parti in movimento.

- g. Se gli elettrodomestici sono provvisti di attacchi per il collegamento di dispositivi di aspirazione o di raccolta della polvere, assicurarsi che questi siano installati e utilizzati correttamente.** L'impiego di dispositivi di raccolta della polvere diminuisce i rischi relativi alle polveri.
- 4. Uso e cura degli elettrodomestici**
- a. Non sovraccaricare l'elettrodomestico. Usare l'elettrodomestico adatto al lavoro da eseguire.**  
Utilizzando l'elettrodomestico adatto si potrà lavorare meglio e con maggiore sicurezza alla potenza nominale prevista.
- b. Non utilizzare elettrodomestici con interruttori difettosi.**  
Un elettrodomestico che non può essere controllato mediante l'interruttore è pericoloso e deve essere riparato.
- c. Scollegare la spina dalla presa di corrente e/o il battery pack dall'elettrodomestico prima di regolarlo, di sostituire gli accessori o di ripararlo.** Queste precauzioni di sicurezza riducono la possibilità che l'elettrodomestico sia messo in funzione inavvertitamente.
- d. Quando non sono usati, gli elettrodomestici devono essere custoditi fuori della portata dei bambini. Non consentire l'uso dell'elettrodomestico a persone inesperte o che non abbiano letto le presenti istruzioni.** Gli elettrodomestici risultano pericolosi se usati da persone inesperte.
- e. Sottoporre gli elettrodomestici alle necessarie procedure di manutenzione. Verificare che le parti mobili siano bene allineate e non inceppate, che non vi siano componenti rotti e che non sussistano altre condizioni che possono compromettere il funzionamento dell'elettrodomestico. In caso di danni, riparare l'elettrodomestico prima dell'uso.** La scarsa manutenzione causa molti incidenti.
- f. Mantenere affilati e puliti gli utensili da taglio.** Se sottoposti alla giusta manutenzione, gli strumenti da taglio con taglienti affilati s'inceppano meno frequentemente e sono più facili da manovrare.
- g. Utilizzare l'elettrodomestico, gli accessori e le punte in conformità delle presenti istruzioni, tenendo conto delle condizioni di lavoro e del lavoro da completare.** L'impiego degli elettrodomestici per usi diversi da quelli consentiti può dar luogo a situazioni pericolose.
- 5. Uso e cura degli elettrodomestici a batteria**
- a. Ricaricare solo usando l'alimentatore prescritto dal fabbricante.** Un alimentatore idoneo a un determinato battery pack potrebbe essere causa di incendio se usato con un battery pack diverso.

- b. Usare gli elettrodomestici con gli appositi battery pack.** L'impiego di battery pack di altro tipo potrebbe creare il rischio di lesioni e di incendi.
- c. Quando il battery pack non viene usato, tenerlo lontano da altri oggetti metallici tipo graffette, monete, chiavi, chiodi, viti o altri oggetti metallici di piccole dimensioni, che potrebbero cortocircuitare un morsetto con l'altro.** Se i morsetti della batteria vengono cortocircuitati si potrebbero causare ustioni o un incendio.
- d. A seguito di un uso improprio, la batteria potrebbe espellere del liquido; evitare ogni contatto. In caso di contatto accidentale, lavare con acqua. Se il liquido viene a contatto degli occhi, rivolgersi anche a un medico.** Il liquido espulso dalla batteria potrebbe causare irritazioni o ustioni.
- 6. Riparazioni**
- a. Fare riparare l'elettrodomestico solo ed esclusivamente da personale specializzato e solo impiegando pezzi di ricambio originali, onde non alterarne la sicurezza.**

#### Addizionali avvisi di sicurezza per gli elettrodomestici



**Attenzione!** Ulteriori avvisi di sicurezza per seghe alternative e segatrici alternative.

- ◆ **Tenere l'elettrodomestico afferrandone l'impugnatura provvista di materiale isolante quando vi è la possibilità che la lama possa venire a contatto di cavi nascosti o del filo di alimentazione.** Il contatto tra la lama e un filo sotto tensione, mette sotto tensione anche le parti metalliche esposte dell'elettrodomestico e potrebbe esporre l'operatore a scosse elettriche.
- ◆ **Tenere tutte le parti del corpo distanti dalla lama da taglio. Non rimuovere il materiale tagliato o il materiale fissato da tagliare quando le lame sono in movimento. Verificare che l'interruttore sia su off per eliminare l'eventuale materiale inceppato.** Un attimo di distrazione durante l'uso dell'elettrodomestico può causare gravi infortuni personali.
- ◆ **Trasportare il tagliasiepi per l'impugnatura con le lame da taglio bloccate. Per trasportare o riporre il tagliasiepi, inserire sempre la copertura del dispositivo di taglio.** Maneggiando correttamente il tagliasiepi si riduce la possibilità di lesioni personali dovute alle lame da taglio.
- ◆ **Mantenere il cavo distante dall'area di taglio.** Durante il funzionamento, il cavo potrebbe essere nascosto dai cespugli ed essere tagliato accidentalmente dall'impugnatura.

- ◆ L'utilizzo previsto è quello indicato nel presente manuale. L'utilizzo di qualsiasi accessorio o attrezzatura o l'uso del presente elettrotensile per scopi diversi da quelli consigliati nel presente manuale d'istruzioni potrebbero comportare il rischio di infortuni e/o danni alle proprietà.
- ◆ Non trasportare l'elettrotensile con le mani sull'interruttore dell'impugnatura frontale o sul grilletto a meno che la batteria non sia stata tolta.
- ◆ Se non si è pratici di tagliasiepi, oltre a studiare questo manuale è consigliabile chiedere istruzioni pratiche ad un esperto.
- ◆ Non toccare mai le lame mentre l'elettrotensile è in funzione.
- ◆ Non cercare di fermare le lame.
- ◆ Non lasciare per terra l'elettrotensile fino a che le lame non si sono completamente fermate.
- ◆ Controllare regolarmente che le lame non siano danneggiate o usurate. Non usare l'elettrotensile se le lame sono danneggiate.
- ◆ Fare attenzione a non toccare oggetti duri (p.e. fili metallici, ringhiere) durante il taglio. Nel caso in cui si colpisca accidentalmente un oggetto di questo tipo, spegnere immediatamente l'elettrotensile per verificare che non abbia subito danni.
- ◆ Se l'elettrotensile comincia a vibrare in modo anomalo, spegnerlo immediatamente per verificare la presenza di eventuali danni.
- ◆ Se l'elettrotensile si blocca, spegnerlo immediatamente. Togliere la batteria prima di togliere eventuali ostruzioni.
- ◆ Dopo l'uso, coprire le lame con la guaina in dotazione. Conservare l'elettrotensile assicurandosi che la lama non sia esposta.
- ◆ Quando si usa l'attrezzo, verificare sempre che siano montate tutte le protezioni. Non tentare mai di utilizzare un elettrotensile privo di alcuni componenti o che sia stato sottoposto a modifiche non autorizzate.
- ◆ Vietare ai bambini l'uso dell'elettrotensile.
- ◆ Attenzione alla caduta di detriti che si verifica quando si potano i lati alti di una siepe.
- ◆ sempre l'elettrotensile con entrambe le mani e mediante le apposite impugnature.

### Sicurezza altrui

- ◆ Questo elettrotensile non è stato progettato per impiego da parte di persone (o bambini) portatrici di handicap fisici, psichici o sensoriali o che non abbiano la dovuta esperienza o conoscenza, a meno che non siano seguite o opportunamente istruite sul suo impiego da parte di una persona responsabile della loro sicurezza.

- ◆ Controllare che i bambini non giochino con l'elettrotensile.

### Vibrazioni

I valori dichiarati delle emissioni di vibrazioni al paragrafo Dati tecnici e nella Dichiarazione di conformità del presente manuale sono stati misurati in base al metodo di test standard previsto dalla normativa EN 60745 e possono essere usati come parametri di confronto tra due utensili. Il valore delle emissioni di vibrazioni dichiarato può anche essere usato come valutazione preliminare dell'esposizione.

**Attenzione!** Il valore delle emissioni di vibrazioni durante l'impiego effettivo dell'elettrotensile può variare da quello dichiarato a seconda delle modalità d'uso. Il livello delle vibrazioni può aumentare oltre quello dichiarato.

Quando si valuta l'esposizione alle vibrazioni per determinare le misure di sicurezza richieste, in conformità alla normativa 2002/44/CE e destinata alla protezione delle persone che usano regolarmente gli elettrotensili nello svolgimento delle proprie mansioni, è necessario prendere in considerazione le condizioni effettive di utilizzo e il modo in cui l'utensile è usato, oltre a tenere in conto tutte le componenti del ciclo operativo, vale a dire i periodi in cui l'elettrotensile è spento, quelli in cui è acceso, ma a riposo e quelli in cui è effettivamente utilizzato.

### Simboli di avvertenza

I seguenti simboli di avvertenza si trovano sull'elettrotensile:



**Attenzione!** Per ridurre il rischio di lesioni, l'utente è tenuto a leggere il presente manuale di istruzioni.



Non adoperare l'elettrotensile in condizioni di umidità né esporlo all'azione della pioggia.



Indossare sempre scarpe di sicurezza antiscivolo.



**Attenzione!** Non toccare la catena in prossimità del punto di espulsione dei trucioli.



Indossare sempre occhiali di sicurezza e casco protettivo.



Per garantire sempre un funzionamento sicuro, controllare la tensione della catena come descritto nel presente manuale dopo ogni 10 minuti di utilizzo e regolarla di nuovo su di un gioco di 3 mm quando richiesto.





Porre attenzione ad eventuali oggetti in caduta.  
Tenere gli astanti lontani dall'area di lavoro.



Rischio di folgorazione. Mantenersi ad almeno 10 m di distanza dalle linee elettriche aeree.

### Rischi residui

Altri rischi residui che possono sorgere durante l'impiego dell'elettrotensile e che possono non essere stati contemplati dagli allegati avvisi di sicurezza. Tali rischi possono sorgere a seguito di un uso prolungato o improprio, ecc.

Perfino adottando gli appositi regolamenti di sicurezza e utilizzando i dispositivi di sicurezza, certi rischi residui non possono essere evitati. Essi comprendono:

- ◆ Lesioni causate o subite a seguito del contatto con parti rotanti/in movimento.
- ◆ Lesioni causate o subite durante la sostituzione di parti, lame o accessori.
- ◆ Lesioni causate dall'impiego prolungato di un elettrotensile. Quando si usa qualsiasi elettrotensile per lunghi periodi, accertarsi di fare regolarmente delle pause.
- ◆ Problemi di udito.

Rischi per la salute causati dall'aspirazione di polvere generata dall'utilizzo dell'elettrotensile (ad esempio quando si lavora con il legno, in modo particolare quello di quercia, faggio o l'MDF).

### Altre istruzioni di sicurezza per batterie e alimentatori

#### Batterie

- ◆ Non tentare di aprirle per qualsiasi ragione.
- ◆ Non lasciare che la batteria si bagni.
- ◆ Non esporre la batteria al calore.
- ◆ Non riporre in luoghi dove la temperatura potrebbe superare i 40°C.
- ◆ Caricare solo a temperature ambiente tra 10°C e 40°C.
- ◆ Caricare solo usando l'alimentatore fornito con l'apparecchio/elettrotensile. L'utilizzo dell'alimentatore sbagliato potrebbe causare scosse elettriche o il surriscaldamento della batteria.
- ◆ Quando si smaltiscono le batterie, seguire le istruzioni riportate al capitolo "Protezione dell'ambiente".
- ◆ Non danneggiare/deformare il battery pack forandolo o colpendolo per evitare il rischio di lesioni o di incendio.
- ◆ Non caricare le batterie danneggiate.

- ◆ In condizioni estreme, si potrebbe verificare la perdita di liquido dalle batterie. Se si nota la presenza di liquido sulle batterie, pulirle con attenzione con uno straccio. Evitare il contatto con l'epidermide.
- ◆ In caso di contatto con l'epidermide o gli occhi, seguire le istruzioni riportate di seguito.

**Attenzione! Il liquido della batteria può causare lesioni alle persone o danni alle cose. In caso di contatto con la pelle, risciacquare immediatamente con acqua. In caso di rossore, dolore o irritazione, rivolgersi immediatamente a un medico. In caso di contatto con gli occhi, risciacquarli immediatamente con acqua pulita e consultare un medico.**

#### Alimentatori

**Attenzione! L'alimentatore è stato progettato per una tensione specifica. Controllare sempre che la tensione di rete corrisponda alla tensione indicata sulla targhetta dei dati tecnici.**

**Attenzione! Non tentare mai di sostituire l'alimentatore con una normale spina elettrica.**

- ◆ Usare l'alimentatore Black & Decker solo per ricaricare la batteria nell'apparecchio/elettrotensile con il quale è stato fornito. Altre batterie potrebbero scoppiare causando lesioni alle persone e danni.
- ◆ Non tentare mai di ricaricare batterie non ricaricabili.
- ◆ In caso di danneggiamento del filo di alimentazione, è necessario farlo riparare dal fabbricante o presso un centro assistenza Black & Decker autorizzato in modo da evitare eventuali pericoli.
- ◆ Non lasciare che l'alimentatore si bagni.
- ◆ Non aprire l'alimentatore.
- ◆ Non collegare l'alimentatore a sonde.
- ◆ L'alimentatore devono essere lasciati in una zona ben ventilata durante la carica

#### Simboli sull'alimentatore

Sul caricabatterie sono apposti i seguenti simboli:



Il caricabatterie è provvisto di doppio isolamento che rende superflua la messa a terra. Controllare che la tensione di alimentazione corrisponda a quella indicata sulla targhetta con i dati caratteristici. Non cercare di utilizzare una normale presa di corrente al posto del caricabatterie.

In caso di danneggiamento del filo di alimentazione, è necessario farlo riparare dal fabbricante o presso un centro assistenza Black & Decker autorizzato in modo da evitare eventuali pericoli.



Il caricabatterie è destinato ad essere usato esclusivamente in ambienti interni.



Leggere il manuale di istruzioni prima dell'uso.

### Informazioni generali

1. Interruttore acceso/spento
2. Pulsante di sblocco
3. Impugnatura principale
4. Testa tosatrice
5. Lama
6. Guaina della lama
7. Batteria

### Fig. A

8. Caricabatteria
9. Indicatore di carica

## Montaggio

**Attenzione!** Per evitare l'accensione involontaria, verificare di aver estratto la batteria e di aver inserito la guaina sulla lama prima di procedere con le seguenti operazioni. La mancata osservanza di queste istruzioni potrebbe causare gravi infortuni.

### Montaggio e smontaggio della testa tosatrice (fig. C)

#### Montaggio della testa tosatrice

- ◆ Allineare la scanalatura sull'esterno dell'estremità di accoppiamento dell'impugnatura (3) con la linguetta presente all'interno dell'estremità di accoppiamento della testa tosatrice (4).
- ◆ Premere la testa tosatrice (4) sull'impugnatura (3).
- ◆ Far scorrere il collare (11) verso il basso e ruotarlo in senso orario fino a serrarlo completamente.

**Attenzione!** Controllare periodicamente i collegamenti per verificare che siano serrati saldamente. Il collare è correttamente bloccato quando non sono visibili filetti arancioni.

#### Smontaggio della testa tosatrice

- ◆ Appoggiare l'impugnatura (3) a terra, allentare il collare (11) ed estrarre la testa (4).

### Regolazione dell'angolo della testa tosatrice (fig. D)

La testa tosatrice ruota di 180° e può essere bloccata in 5 posizioni in questo intervallo.

**Attenzione!** Per evitare di ferirsi, indossare guanti e sostenere l'unità come da figura.

- ◆ Appoggiare l'impugnatura (3) a terra, far scorrere verso il basso il collare (12) e spostare la testa (4) come necessario. Assicurarsi che la testa tosatrice scatti in posizione.

### Inserimento ed estrazione della batteria (fig. B)

- ◆ Per inserire la batteria (7), allinearla alla base sull'utensile. Fare scorrere la batteria nella base fino a che non s'inserisce con uno scatto.
- ◆ Per estrarre la batteria, premere il pulsante di sgancio (10) e, contemporaneamente, estrarla dalla base.

## Utilizzo

**Attenzione!** Lasciare che l'elettrotensile funzioni al suo ritmo. Non sovraccaricarlo.

### Carica della batteria (fig. A)

La batteria deve essere caricata prima dell'impiego iniziale e quando non eroga una potenza sufficiente per lavori che prima era possibile eseguire facilmente.

Durante la carica la batteria potrebbe riscaldarsi. Si tratta di un fatto normale che non indica che vi è un problema.

**Attenzione!** Non caricare la batteria a temperature ambiente inferiori a 10°C o superiori a 40°C. Temperatura di carica consigliata: 24°C circa.

**Nota:** L'alimentatore non carica un battery pack se la temperatura della cella è inferiore a 10°C o superiore a 40°C. Il battery pack deve essere lasciato nell'alimentatore che incomincerà a ricaricare automaticamente quando la temperatura della cella aumenta o diminuisce.

- ◆ Per caricare la batteria (7), estrarla dall'elettrotensile e infilarla nell'alimentatore (8). La batteria può essere inserita nell'alimentatore solo in un verso. Non forzarla. Accertarsi che la batteria sia completamente insediata nell'alimentatore.
- ◆ Collegare l'alimentatore alla presa di corrente.
- ◆ L'indicatore di carica (9) lampeggia di continuo in verde (lentamente).

La carica è completa quando l'indicatore di carica (9) rimane acceso di continuo in verde. L'alimentatore e la batteria possono essere lasciati collegati indefinitamente con il LED acceso. Il LED passa al lampeggio verde (carica in corso) quando l'alimentatore di tanto in tanto rabocca la carica della batteria. L'indicatore di carica (9) si accende se la batteria è inserita nell'alimentatore collegato a una presa di corrente.

- ◆ Caricare le batterie esauste entro 1 settimana. La durata delle batterie diminuisce parecchio se sono conservate scariche.

### Lasciando la batteria nel l'alimentatore

L'alimentatore e la batteria possono essere lasciati collegati indefinitamente con il LED acceso. L'alimentatore mantiene completamente carico il power pack.

### Diagnostica dell'alimentatore

Se l'alimentatore rileva che la batteria è quasi scarica o danneggiata, fa lampeggiare velocemente in rosso l'indicatore di carica (9). Procedere come descritto di seguito:

- ◆ Inserire di nuovo la batteria (7).
- ◆ Se l'indicatore di carica continua a lampeggiare in rosso a un ritmo veloce, usare una batteria diversa per determinare se il ciclo di carica funziona correttamente.
- ◆ Se la batteria di ricambio si carica correttamente, significa che quella originale è difettosa e che deve essere rispedita a un centro di assistenza per essere riciclata.
- ◆ Se anche con la nuova batteria si ottengono i medesimi risultati dati da quella vecchia, portare l'alimentatore presso un centro di assistenza autorizzato per essere sottoposto a controllo.

**Nota: Ci possono volere anche 60 minuti per determinare se la batteria è difettosa. Se il battery pack è troppo caldo o troppo freddo, il LED lampeggia alternamente in rosso a un ritmo veloce e lento con un lampeggio veloce e uno lento ripetuti nel tempo.**

### Avviamento e spegnimento (fig. E)

Per ragioni di sicurezza, questo elettrotensile viene fornito con un sistema di doppi interruttori che ne impedisce l'avviamento indesiderato.

#### Accensione

- ◆ Spingere indietro il pulsante di sblocco (2) con il pollice e, contemporaneamente, spingere l'interruttore on/off (1).
- ◆ Rilasciare il pulsante di sblocco (2).

#### Spegnimento

- ◆ Rilasciare l'interruttore on / off(1).

**Attenzione!** Non tentare mai di bloccare l'interruttore in posizione di accensione.

### Consigli per un'ottima utilizzazione

- ◆ Iniziare tagliando la parte superiore della siepe. Inclinare leggermente l'elettrotensile (fino a 15° rispetto alla linea di taglio) in modo che le punte della lama siano leggermente rivolte verso la siepe (fig. F1). Questo accorgimento farà sì che le lame taglino più efficacemente. Mantenere l'elettrotensile all'angolatura desiderata e spostarlo con decisione lungo la linea di taglio. La lama sui due lati consente di tagliare in qualsiasi direzione.

- ◆ Per ottenere un taglio dritto, usare una cordicella e fissarla all'altezza desiderata, lungo tutta la siepe. Usare la cordicella come guida, tagliando appena sopra di essa.
- ◆ Per ottenere fianchi pareggiati, tagliare verso l'alto nel senso della crescita. Quando la lama taglia verso il basso, i rami giovani si spostano verso l'esterno e ciò provoca dei buchi nella siepe (fig. F2).
- ◆ Fare attenzione ad evitare qualsiasi oggetto estraneo. Evitare, in particolare, oggetti duri come fili di metallo e ringhiere poiché potrebbero danneggiare le lame.
- ◆ Lubrificare le lame ad intervalli regolari.

### Quando tagliare

- ◆ In linea di massima le siepi con foglie stagionali si tagliano in giugno ed ottobre.
- ◆ I sempreverdi possono essere tagliati in aprile ed agosto.
- ◆ Conifere e altre siepi a crescita rapida possono essere tagliate ogni 6 settimane circa da maggio in avanti.

### Pulizia, manutenzione e conservazione

Questo elettrotensile Black & Decker è stato progettato per funzionare a lungo con un minimo di manutenzione. Per un funzionamento sempre soddisfacente è necessario avere cura dell'elettrotensile e provvedere alla regolare pulizia. Il caricabatterie non richiede alcun tipo di manutenzione oltre a una regolare pulizia.

**Attenzione!** Prima di eseguire qualsiasi tipo di manutenzione sull'elettrotensile, estrarne le batterie. Scollegare il caricatore dalla presa elettrica prima di pulirlo.

### Dopo ogni uso e prima di riporre l'elettrotensile:

- ◆ Dopo l'uso, pulire con cura le lame. Dopo averle pulite, applicare qualche goccia d'olio per evitare che arrugginiscono.
- ◆ Le feritoie di ventilazione dell'elettrotensile devono essere pulite regolarmente con un pennello morbido o un panno asciutto.
- ◆ Il vano del motore deve essere pulito regolarmente con un panno umido. Non usare materiali abrasivi o detergenti a base di solventi.
- ◆ Verificare che tutti gli interruttori siano liberi da eventuali corpi estranei prima e dopo l'uso.

### Stoccaggio

Quando l'elettrotensile non viene usato per diversi mesi, si consiglia di lasciare la batteria collegata al caricatore.

Altrimenti procedere come segue:

- ◆ Caricare completamente la batteria.
- ◆ Rimuovere la batteria dall'utensile.

- ◆ Riporre l'utensile e la batteria in un luogo adatto e asciutto. La temperatura ambiente deve essere compresa tra +10°C e +40°C. La batteria deve essere collocata su un piano orizzontale.
- ◆ Prima di usare l'utensile dopo un lungo periodo di conservazione, ricaricare nuovamente la batteria.

### Risoluzione dei problemi

Se l'elettrostrumento non funziona correttamente, controllare quanto segue:

Avaria	Causa possibile	Azione
L'elettrostrumento non si accende.	Batteria non installata correttamente.	Verificare l'installazione della batteria.
	Batteria scarica.	Utilizzare una batteria (completamente) carica.
	Pulsante di blocco non attivo.	Eseguire la procedura di avvio.
	Connessioni dei poli non correttamente serrate.	Verificare le connessioni.
La batteria non si carica.	Batteria non installata correttamente.	Verificare l'installazione della batteria.

Per individuare il tecnico autorizzato più vicino, rivolgersi alla sede Black & Decker locale, presso il recapito indicato nel presente manuale. Altrimenti, un elenco completo di tutti i tecnici autorizzati Black & Decker e i dettagli completi sui contatti e i servizi post-vendita sono disponibili su Internet all'indirizzo: [www.2helpU.com](http://www.2helpU.com).

### Batterie



Alla fine della loro vita utile, smaltire le batterie in conformità alle norme ambientali.

- ◆ Non cortocircuitare i terminali della batteria.
- ◆ Non smaltire le batterie bruciandole dato che si potrebbe causare un'esplosione.
- ◆ Scaricare completamente la batteria e toglierla dall'elettrostrumento.
- ◆ Le batterie sono riciclabili. Imballare la batteria o le batterie in modo idoneo per evitare che i terminali possano essere cortocircuitati. Portarle presso un tecnico autorizzato o il centro di riciclaggio di zona.

### Protezione dell'ambiente



Raccolta differenziata. Questo prodotto non deve essere smaltito con i normali rifiuti domestici.

Nel caso in cui l'elettrostrumento Black & Decker debba essere sostituito o non sia più necessario, non smaltirlo con i normali rifiuti domestici. Metterlo da parte per la raccolta differenziata.



La raccolta differenziata dei prodotti e degli imballaggi utilizzati consente il riciclaggio dei materiali e il loro continuo utilizzo. Il riutilizzo dei materiali riciclati favorisce la protezione dell'ambiente prevenendo l'inquinamento e riduce il fabbisogno di materie prime.

Seguire la regolamentazione locale per la raccolta differenziata dei prodotti elettrici che può prevedere punti di raccolta o la consegna dell'elettrostrumento al rivenditore presso il quale viene acquistato un nuovo prodotto.

Black & Decker offre ai propri clienti la possibilità di riciclare i prodotti Black & Decker che hanno esaurito la loro vita di servizio. Per usufruire di tale servizio, è sufficiente restituire il prodotto a qualsiasi tecnico autorizzato, incaricato della raccolta per conto dell'azienda.

**Dati tecnici**

<b>GTC1843L H1</b>	
Tensione	Vdc 18
Corsa lama (senza carico)	min <sup>-1</sup> 1400
Lunghezza lama	cm 43
Separazione lama	mm 12
Tempo di arresto lama	s <1.0
Peso (senza batteria)	kg 3,2

<b>Batteria BL1518</b>	
Tensione	Vdc 18
Capacità	Ah 1,5
Tipo di batteria	Li-Ion

<b>Alimentatore 905531** TYPE 1</b>	
Tensione in ingresso	Vac 230
Tensione erogata	Vdc 20,5
Corrente erogata	mA 200

Livello di rumorosità, dati conformi alla norma EN60745:

$L_{pA}$  (pressione sonora) 82 dB(A), incertezza (K) 3 dB(A)

$L_{WA}$  (potenza sonora) 93 dB(A), incertezza (K) 3 dB(A)

Valori totali vibrazioni (somma vettoriale triassiale)  
in base a EN 60745:

Valore emissioni vibrazioni a ( $a_n$ ) 1,1 m/s<sup>2</sup>,  
incertezza (K) 1,5 m/s<sup>2</sup>

**Dichiarazione CE di conformità**

DIRETTIVA SUI MACCHINARI

**GTC1843L**

Black & Decker dichiara che i prodotti descritti nella sezione "dati tecnici" sono conformi con:

2006/42/CE, EN 60745-1, EN 60745-2-15

2000/14/CE, Tagliasiepe, 1400 min<sup>-1</sup>, Allegato V

$L_{WA}$  (potenza sonora misurata) 93 dB(A),  
incertezza (K) 3 dB(A)

$L_{WA}$  (potenza sonora garantita) 95 dB(A),  
incertezza (K) 3 dB(A)

Detti prodotti sono inoltre conformi con la direttiva 2004/108/CE.

Per ulteriori informazioni contattare Black & Decker al seguente indirizzo oppure consultare l'ultima di copertina del manuale.

Il sottoscritto è responsabile della redazione di questo documento tecnico e rilascia questa dichiarazione per conto di Black & Decker.

Kevin Hewitt

Vice-President Global Engineering  
Black & Decker Europe, 210 Bath Road, Slough,  
Berkshire, SL1 3YD  
Regno Unito  
19-10-2010

## Garanzia

Certa della qualità dei suoi prodotti, Black & Decker offre una garanzia eccezionale. Il presente certificato di garanzia è complementare ai diritti legali e non li pregiudica in alcun modo. La garanzia è valida entro il territorio degli Stati membri dell'Unione Europea e dell'EFTA (European Free Trade Area).

Se un prodotto Black & Decker risulta difettoso per qualità del materiale, della costruzione o per mancata conformità entro 24 mesi dalla data di acquisto, Black & Decker garantisce la sostituzione delle parti difettose, provvede alla riparazione dei prodotti se ragionevolmente usurati oppure alla loro sostituzione, in modo da ridurre al minimo il disagio del cliente a meno che:

- ◆ Il prodotto non sia stato destinato ad usi commerciali, professionali o al noleggio;
- ◆ Il prodotto non sia stato usato in modo improprio o scorretto;
- ◆ Il prodotto non abbia subito danni causati da oggetti o sostanze estranee oppure incidenti;
- ◆ Il prodotto non abbia subito tentativi di riparazione non effettuati da tecnici autorizzati né dall'assistenza Black & Decker.

Per attivare la garanzia è necessario esibire la prova di acquisto al venditore o al tecnico autorizzato. Per individuare il tecnico autorizzato più vicino, rivolgersi alla sede Black & Decker locale, presso il recapito indicato nel presente manuale. Altrimenti un elenco completo di tutti i tecnici autorizzati Black & Decker e i dettagli completi sui contatti e i servizi post-vendita sono disponibili su Internet presso: **[www.2helpU.com](http://www.2helpU.com)**.

I clienti che desiderano registrare il nuovo prodotto Black & Decker e ricevere gli aggiornamenti sui nuovi prodotti e le offerte speciali, sono invitati a visitare il sito Web (**[www.blackanddecker.it](http://www.blackanddecker.it)**). Ulteriori informazioni sul marchio e la gamma di prodotti Black & Decker sono disponibili all'indirizzo **[www.blackanddecker.it](http://www.blackanddecker.it)**.

## Beoogd gebruik

Uw Black & Decker heggenschaar is bestemd voor het knippen van heggen, struiken en heesters. Deze machine is uitsluitend bestemd voor consumentengebruik.

Uw Black & Decker oplader is ontworpen voor het opladen van Black & Decker accu's van het type dat bij deze machine wordt geleverd.

## Veiligheidsinstructies

### Algemene veiligheidswaarschuwingen voor elektrisch gereedschap



**Waarschuwing! Lees alle veiligheidswaarschuwingen en alle instructies.** Wanneer de instructies niet in acht worden genomen, kan dit een elektrische schok, brand of ernstig letsel tot gevolg hebben.

### Bewaar alle waarschuwingen en instructies als referentiemateriaal.

Het hierna gebruikte begrip 'elektrisch gereedschap' heeft betrekking op elektrische gereedschappen voor gebruik op de netspanning (met netsnoer) of op een accu (snoerloos).

#### 1. Veilige werkomgeving

- a. **Houd uw werkomgeving schoon en opgeruimd.** Een rommelige of slecht verlichte werkomgeving kan tot ongevallen leiden.
- b. **Gebruik elektrisch gereedschap niet in een omgeving met explosiegevaar, zoals in de nabijheid van brandbare vloeistoffen, gasen of stof.** Elektrisch gereedschap veroorzaakt vonken die het stof of de dampen tot ontsteking kunnen brengen.
- c. **Houd kinderen en andere personen tijdens het gebruik van elektrisch gereedschap uit de buurt.** Wanneer u wordt afgeleid, kunt u de controle over het gereedschap verliezen.

#### 2. Elektrische veiligheid

- a. **De netstekker van het gereedschap moet in het stopcontact passen. De stekker mag in geen geval worden omgebouwd. Gebruik geen adapterstekkers in combinatie met geaarde gereedschappen.** Niet-omgebouwde stekkers en passende stopcontacten beperken het risico van een elektrische schok.
- b. **Vermijd aanraking van het lichaam met geaarde oppervlakken, bijvoorbeeld buizen, verwarmingen, fornuizen en koelkasten.** Er bestaat een verhoogd risico op een elektrische schok wanneer uw lichaam geaard is.

- c. **Houd het gereedschap uit de buurt van regen en vocht.** Het binnendringen van water in het elektrische gereedschap vergroot het risico van een elektrische schok.
  - d. **Gebruik het snoer niet voor een verkeerd doel. Gebruik het snoer niet om het gereedschap te dragen of op te hangen of om de stekker uit het stopcontact te trekken. Houd het snoer uit de buurt van hitte, olie, scherpe randen of bewegende delen.** Beschadigde of in de war geraakte snoeren vergroten het risico van een elektrische schok.
  - e. **Wanneer u buitenshuis met elektrisch gereedschap werkt, dient u alleen verlengsnoeren te gebruiken die zijn goedgekeurd voor gebruik buitenshuis.** Het gebruik van een verlengsnoer dat geschikt is voor gebruik buitenshuis, beperkt het risico van een elektrische schok.
  - f. **Als u een elektrisch gereedschap moet gebruiken in een vochtige locatie, moet u een reststroomschakelaar (RCD) gebruiken.** Met een aardlekschakelaar wordt het risico van een elektrische schok verkleind.
- ### 3. Veiligheid van personen
- a. **Wees alert, let goed op wat u doet en ga met verstand te werk bij het gebruik van elektrische gereedschappen. Gebruik elektrisch gereedschap niet wanneer u moe bent of onder invloed van drugs, alcohol of medicijnen.** Een moment van onoplettendheid bij het gebruik van het gereedschap kan leiden tot ernstige verwondingen.
  - b. **Draag een persoonlijke beschermende uitrusting. Draag altijd een veiligheidsbril.** Het dragen van een persoonlijke beschermende uitrusting zoals een stofmasker, slipvaste werkschoenen, een veiligheidshelm of gehoorbescherming, afhankelijk van de aard en het gebruik van het elektrische gereedschap, vermindert het risico van verwondingen.
  - c. **Voorkom per ongeluk inschakelen. Controleer of de schakelaar in de uit-stand staat voordat u het gereedschap aansluit op het stopcontact en/of de accu en voordat u het gereedschap optilt of gaat dragen.** Wanneer u bij het dragen van het gereedschap uw vinger op de schakelaar houdt of wanneer u het gereedschap per ongeluk inschakelt, kan dat leiden tot ongevallen.
  - d. **Verwijder instelgereedschappen of schroefsleutels voordat u het gereedschap inschakelt.** Een instelgereedschap of sleutel in een draaiend deel van het gereedschap kan tot verwondingen leiden.

- e. **Reik niet te ver. Zorg er altijd voor dat u stevig staat en in evenwicht blijft.** Daardoor kunt u het gereedschap in onverwachte situaties beter onder controle houden.
  - f. **Draag geschikte kleding. Draag geen loshangende kleding of sieraden. Houd haren, kleding en handschoenen uit de buurt van bewegende delen.** Loshangende kleding, sieraden en lange haren kunnen door bewegende delen worden meegenomen.
  - g. **Wanneer stofzuigings- of stofopvangvoorzieningen kunnen worden gemonteerd, dient u zich ervan te verzekeren dat deze zijn aangesloten en juist worden gebruikt.** Het gebruik van stofopvangvoorzieningen beperkt het gevaar door stof.
4. **Gebruik en onderhoud van elektrisch gereedschap**
- a. **Overbelast het gereedschap niet. Gebruik het geschikte elektrische gereedschap voor uw toepassing.** Met het geschikte elektrische gereedschap werkt u beter en veiliger binnen het aangegeven capaciteitsbereik.
  - b. **Gebruik geen elektrisch gereedschap waarvan de schakelaar defect is.** Elektrisch gereedschap dat niet meer kan worden in- of uitgeschakeld, is gevaarlijk en moet worden gerepareerd.
  - c. **Trek de stekker uit het stopcontact en/of verwijder de accu uit het elektrisch gereedschap voordat u het gereedschap instelt, toebehoren wisselt of het gereedschap opbergt.** Met deze voorzorgsmaatregel voorkomt u onbedoeld starten van het gereedschap.
  - d. **Bewaar niet-gebruikte elektrische gereedschappen buiten bereik van kinderen. Laat het gereedschap niet gebruiken door personen die er niet vertrouwd mee zijn en deze aanwijzingen niet hebben gelezen.** Elektrische gereedschappen zijn gevaarlijk wanneer deze door onervaren personen worden gebruikt.
  - e. **Verzorg het gereedschap zorgvuldig. Controleer of bewegende delen van het gereedschap correct functioneren en niet klemmen, en of er onderdelen zodanig zijn gebroken of beschadigd dat de werking van het gereedschap nadelig wordt beïnvloed. Laat beschadigde delen repareren voordat u het gereedschap gebruikt.** Veel ongevallen worden veroorzaakt door slecht onderhouden elektrische gereedschappen.
  - f. **Houd snijdende inzetgereedschappen scherp en schoon.** Zorgvuldig onderhouden snijdende inzetgereedschappen met scherpe snijkanten klemmen minder snel vast en zijn gemakkelijker te geleiden.
  - g. **Gebruik elektrische gereedschappen, toebehoren, inzetgereedschappen en dergelijke volgens deze aanwijzingen. Let daarbij op de arbeidsomstandigheden en de uit te voeren werkzaamheden.** Het gebruik van elektrische gereedschappen voor andere dan de voorziene toepassingen kan leiden tot gevaarlijke situaties.
5. **Gebruik en onderhoud van snoerloos elektrisch gereedschap**
- a. **Laad accu's alleen op met de door de fabrikant aanbevolen lader.** Een lader die geschikt is voor een bepaald type accu, kan brandgevaar opleveren wanneer deze in combinatie met andere accu's wordt gebruikt.
  - b. **Gebruik elektrisch gereedschap alleen in combinatie met specifiek vermelde accu's.** Het gebruik van andere batterijen kan gevaar voor letsel en brand opleveren.
  - c. **Houd accu's die niet worden gebruikt uit de buurt van andere metalen voorwerpen, zoals paperclips, munten, spijkers, schroeven of andere kleine metalen voorwerpen die een verbinding van de ene pool naar de andere tot stand kunnen brengen.** Als kortsluiting tussen de polen van de accu's wordt gemaakt, kunnen brandwonden of brand worden veroorzaakt.
  - d. **Onder extreme omstandigheden kan er vloeistof uit de accu spuiten. Vermijd contact. Indien onbedoeld contact plaatsvindt, spoelt u met water. Als vloeistof in aanraking komt met ogen, raadpleegt u bovendien uw huisarts.** Vloeistof die uit de accu spuit, kan irritatie of brandwonden veroorzaken.
6. **Service**
- a. **Laat het gereedschap alleen repareren door gekwalificeerd en vakkundig personeel en alleen met originele vervangingsonderdelen.** Daarmee wordt de veiligheid van het gereedschap gewaarborgd.

**Aanvullende veiligheidswaarschuwingen voor elektrisch gereedschap**



**Waarschuwing!** Aanvullende veiligheidswaarschuwingen voor decoupeerzagen en recipro-zagen.

- ◆ **Houd het elektrische gereedschap vast bij de geïsoleerde greepoppervlakken als u een handeling uitvoert waarbij het zagende inzetstuk in aanraking kan komen met onzichtbare draden of het eigen snoer.** Wanneer het zagende inzetstuk in aanraking komt met een draad onder spanning, komen de onbedekte metalen delen van het elektrische gereedschap onder spanning te staan en kunt u een elektrische schok krijgen.



- ◆ **Houd alle lichaamsdelen uit de buurt van het snijblad. Verwijder geen snijmateriaal of houd geen materiaal vast dat gesneden moet worden als de messen in beweging zijn. Zorg ervoor dat de schakelaar is uitgeschakeld wanneer u vastzittend materiaal verwijdert.** Een moment van onoplettendheid bij het gebruik van het gereedschap kan tot ernstige verwondingen leiden.
- ◆ **Draag de heggenschaar bij de handgreep en met stilstaand snijblad. Plaats altijd de beschermkap wanneer u de heggenschaar vervoert of opbergt.** Juist gebruik van de heggenschaar verkleint het risico van persoonlijk letsel door het snijblad.
- ◆ **Houd het snoer uit de buurt van de snijbladen.** Tijdens het gebruik kan de kabel aan het zicht worden onttrokken en onbedoeld worden doorsneden.
- ◆ Deze handleiding beschrijft het bedoelde gebruik van het apparaat. Gebruik van accessoires of hulpstukken of het uitvoeren van werkzaamheden met dit apparaat die niet in deze handleiding zijn beschreven, kan leiden tot persoonlijk letsel en/of schade aan eigendommen.
- ◆ Draag de machine niet met uw handen aan de voorste hendelschakelaar of de trekkerschakelaar zonder dat de batterij is verwijderd.
- ◆ Als u nooit eerder met een heggenschaar heeft gewerkt, dient u bij voorkeur praktische aanwijzingen te vragen aan een ervaren gebruiker als aanvulling op het bestuderen van deze handleiding.
- ◆ Raak nooit de messen aan terwijl de machine werkt.
- ◆ Probeer nooit om de messen geforceerd tot stilstand te brengen.
- ◆ Zet de machine niet neer voordat de messen volledig tot stilstand zijn gekomen.
- ◆ Controleer de messen regelmatig op beschadiging en slijtage. Gebruik de machine niet als de messen beschadigd zijn.
- ◆ Vermijd contact met harde voorwerpen (bijv. staaldraad, traliewerk) tijdens het knippen. Indien u per ongeluk een dergelijk voorwerp raakt, dient u de machine onmiddellijk uit te schakelen en op schade te controleren.
- ◆ Indien de machine abnormaal begint te trillen, dient u deze onmiddellijk uit te schakelen en op schade te controleren.
- ◆ Indien de machine vast komt te zitten, dient u deze onmiddellijk uit te schakelen. Verwijder de accu voordat u de obstakels probeert te verwijderen.
- ◆ Plaats na gebruik de meegeleverde beschermhuls over de messen. Zorg ervoor dat bij het opbergen van de machine de messen beschermd zijn.

- ◆ Zorg er altijd voor dat bij gebruik van deze machine alle veiligheidsvoorzieningen zijn aangebracht. Probeer nooit om een incomplete machine of een machine met niet goedgekeurde aanpassingen te gebruiken.
- ◆ Laat kinderen niet met de machine werken.
- ◆ Let op vallende takken bij het knippen van de hoge kanten van een heg.
- ◆ Houd het apparaat altijd met beide handen vast bij de hiervoor bedoelde handgrepen.

#### Veiligheid van anderen

- ◆ Dit apparaat mag niet worden gebruikt door personen (waaronder kinderen) die lichamelijk of geestelijk minder valide zijn of die geen ervaring met of kennis van dit apparaat hebben, tenzij deze onder toezicht staan of instructies krijgen voor het gebruik van het apparaat van een persoon die verantwoordelijk is voor hun veiligheid.
- ◆ Houd toezicht op kinderen om ervoor te zorgen dat zij niet met het apparaat gaan spelen.

#### Trilling

De aangegeven waarden voor trillingsemissie in de technische gegevens en de conformiteitsverklaring zijn gemeten conform een standaardtestmethode die door EN 60745 wordt geboden. Hiermee kan het ene gereedschap met het andere worden vergeleken. De aangegeven waarde voor trillingsemissie kan ook worden gebruikt bij een voorlopige bepaling van blootstelling.

**Waarschuwing!** De waarde voor trillingsemissie tijdens het werkelijke gebruik van het gereedschap kan verschillen van de aangegeven waarde afhankelijk van de manieren waarop het gereedschap wordt gebruikt. Het trillingsniveau kan hoger worden dan het aangegeven niveau.

**Waarschuwing!** Wanneer de blootstelling aan trillingen wordt vastgesteld teneinde veiligheidsmaatregelen te bepalen die worden vereist door 2002/44/EC ter bescherming van personen die tijdens hun werk regelmatig elektrische gereedschappen gebruiken, moet bij een schatting van de blootstelling aan trillingen rekening worden gehouden met de werkelijke omstandigheden van het gebruik en de manier waarop het gereedschap wordt gebruikt. Daarbij moet ook rekening worden gehouden met alle stappen in de gebruikscyclus, zoals het moment waarop het gereedschap wordt uitgeschakeld en wanneer het gereedschap stationair loopt alsook de aanlooptijd.

**Pictogrammen**

De machine is voorzien van de volgende pictogrammen:



**Waarschuwing!** De gebruiker moet de handleiding lezen om risico op letsel te verkleinen



Gebruik de machine niet in een vochtige omgeving of in de regen.



Draag altijd antislipschoeisel.



**Waarschuwing!** Raak de ketting niet aan bij de zaagselafvoer.



Draag altijd hoofd- en oogbescherming.



Voor een continu veilig gebruik controleert u na elke 10 minuten gebruik de kettingspanning zoals beschreven in deze handleiding en stelt u de ketting opnieuw af op een speling van 3 mm, indien nodig.



Pas op voor vallende voorwerpen. Houd omstanders uit de buurt.



Gevaar voor elektrocutie. Blijf tenminste 10 m uit de buurt van overhangende kabels.

**Overige risico's**

Er kunnen zich tijdens het gebruik van het gereedschap ook andere risico's voordoen die misschien niet in de bijgevoegde veiligheidswaarschuwingen worden vermeld. Deze risico's kunnen zich voordoen als gevolg van onoordeelkundig gebruik, langdurig gebruik, enz.

Zelfs als de veiligheidsvoorschriften in acht worden genomen en de veiligheidsvoorzieningen worden geïmplementeerd, kunnen bepaalde risico's niet worden vermeden. Deze omvatten:

- ◆ Verwondingen die worden veroorzaakt door het aanraken van draaiende of bewegende onderdelen.
- ◆ Verwondingen die worden veroorzaakt bij het vervangen van onderdelen, bladen of accessoires.
- ◆ Verwondingen die worden veroorzaakt door langdurig gebruik van het gereedschap. Als u langere periodes met het gereedschap werkt, is het raadzaam om regelmatig een pauze in te lassen.
- ◆ Gehoorbeschadiging.

- ◆ Gezondheidsrisico's als gevolg van het inademen van stof dat door gebruik van het gereedschap wordt veroorzaakt (bijvoorbeeld tijdens het werken met hout, vooral eiken, beuken en MDF).

**Aanvullende veiligheidsinstructies voor accu's en laders**

**Accu's**

- ◆ Probeer accu's niet te openen, om welke reden ook.
- ◆ Stel de accu niet bloot aan water.
- ◆ Stel de accu niet bloot aan hitte.
- ◆ Bewaar de accu niet op locaties met temperaturen die hoger zijn dan 40°C.
- ◆ Laad de accu alleen op bij een omgevingstemperatuur tussen 10 en 40°C.
- ◆ Gebruik alleen de lader die bij het gereedschap/apparaat is geleverd. Het gebruik van de verkeerde lader kan resulteren in een elektrische schok of oververhitting van de accu.
- ◆ Gooi lege accu's weg volgens de instructies in het gedeelte "Milieu".
- ◆ De accubehuizing mag niet worden beschadigd of vervormd door er gaten in te laten komen of er tegen aan te stoten, aangezien dit kan leiden tot letsel of brand.
- ◆ Laad beschadigde accu's niet op.
- ◆ Onder extreme omstandigheden kunnen accu's lekkages vertonen. Wanneer de accu's nat of vochtig zijn, veegt u de vloeistof voorzichtig af met een doek. Vermijd huidcontact.
- ◆ Bij huid- of oogcontact volgt u de onderstaande instructies.

**Waarschuwing!** De accuvloeistof kan letsel of materiële schade veroorzaken. Bij huidcontact moet u de vloeistof direct afspelen met water. Raadpleeg uw huisarts als er rode vlekken ontstaan of bij een pijnlijke of geïrriteerde huid. Bij oogcontact moet u de vloeistof direct afspelen met water en uw huisarts raadplegen.

**Laders**

**Waarschuwing!** De lader is ontworpen voor een specifieke spanning. Controleer altijd of de netspanning overeenkomt met de waarde op het typeplaatje.

**Waarschuwing!** Probeer de lader nooit te vervangen door een normale netstekker.

- ◆ Gebruik de lader van Black & Decker alleen voor de accu in het gereedschap/apparaat waarbij de lader is bijgeleverd. Andere accu's kunnen exploderen met letsel en materiële schade als gevolg.
- ◆ Niet-laadbare accu's mogen nooit worden opgeladen.
- ◆ Als het netsnoer is beschadigd, moet dit worden vervangen door de fabrikant of een Black & Decker-servicecentrum om gevaren te voorkomen.
- ◆ Stel de lader niet bloot aan water.

- ◆ Open de lader niet.
- ◆ Prik nooit met een scherp voorwerp in de lader.
- ◆ Laad het de lader op een goed geventileerde locatie op.

### Symbolen op de lader

De oplader is voorzien van de volgende pictogrammen:



Uw oplader is dubbel geïsoleerd; een aardaansluiting is daarom niet noodzakelijk. Controleer altijd of de netspanning overeenkomt met het voltage op het typeplaatje. Vervang de oplader nooit door een netstekker.

Als het netsnoer is beschadigd, moet dit worden vervangen door de fabrikant of een Black & Decker-servicecentrum om gevaaren te voorkomen.



De oplader is uitsluitend bedoeld voor gebruik binnenshuis.



Lees voor gebruik de gebruiksaanwijzing.

### Overzicht

1. Aan/uit-schakelaar
2. Ontgrendelingsknop
3. Hoofdhandgreep
4. Strimkop
5. Mes
6. Beschermhuls
7. Accu

### Fig. A

8. Oplader
9. Oplaadindicator

## Assemblage

**Waarschuwing!** Verzeker uzelf ervan, om per ongeluk inschakelen te voorkomen, dat de accu is verwijderd en dat de beschermhuls op de messen is geplaatst voordat u de volgende handelingen uitvoert. Het niet in acht nemen van deze voorzorgsmaatregelen kan leiden tot serieus lichamelijk letsel.

### Aanbrengen en verwijderen van de strimkop (fig. C)

#### Aanbrengen van de strimkop

- ◆ Breng de groef aan de buitenzijde van de koppeling van de handgreep (3) in lijn met de tong aan de binnenzijde van de koppeling van de strimkop (4).
- ◆ Duw de strimkop (4) op de handgreep (3).

- ◆ Schuif de kraag (11) omlaag en draai hem rechtsom totdat hij volledig is vastgedraaid.

**Waarschuwing!** Controleer regelmatig de verbindingen om er zeker van te zijn dat ze goed zijn vastgedraaid. De kraag is correct aangebracht indien er geen oranje draden zichtbaar zijn.

#### Verwijderen van de strimkop

- ◆ Laat de handgreep (3) op de grond rusten en draai de kraag (11) los. Verwijder de strimkop (4).

#### Instellen van de hoek van de strimkop (fig. D)

De strimkop draait 180° en kan in 5 posities binnen dat bereik worden vastgezet.

Draag handschoenen en houd de machine zoals afgebeeld om beknelling te voorkomen.

- ◆ Laat de handgreep (3) op de grond rusten en schuif de kraag (12) omlaag. Beweeg de strimkop (4) naar wens. Zorg dat de strimkop op de plaats klikt.

#### Aanbrengen en verwijderen van de accu (fig. B)

- ◆ Om de accu (7) aan te brengen, houdt u hem voor de houder in het apparaat. Schuif de accu in de houder en duw de accu aan totdat hij vastklikt.
- ◆ Om de accu te verwijderen, drukt u de ontgrendelingsknop (10) in en trekt tegelijkertijd de accu uit de houder.

## Gebruik van het gereedschap

**Waarschuwing!** Laat het gereedschap in zijn eigen tempo werken. Niet overbelasten.

### De accu opladen (fig. A)

De accu moet vóór het eerste gebruik worden opgeladen en ook zodra deze niet meer voldoende vermogen levert voor taken die eerst gemakkelijk konden worden uitgevoerd.

Tijdens het opladen kan de accu warm worden. Dit is normaal en duidt niet op een probleem.

**Waarschuwing!** Laad de accu niet op bij omgevingstemperaturen onder 10°C of boven 40°C. Aanbevolen laadtemperatuur: ongeveer 24°C.

**Opmerking:** De lader functioneert niet als de temperatuur van de accu lager is dan ongeveer 10°C of hoger dan 40°C. Laat de accu in dat geval in de lader zitten. De lader wordt automatisch ingeschakeld wanneer de accu de juiste temperatuur heeft.

- ◆ Als u de accu (7) wilt opladen, verwijdert u deze uit het gereedschap en schuift u de accu in de lader (8). De accu past maar op één manier in de lader. Forceer de accu niet tijdens het aansluiten. Zorg ervoor dat de accu goed in de lader is geplaatst.
- ◆ Steek de stekker van de lader in een stopcontact.
- ◆ Het oplaadlampje (9) gaat langzaam groen knipperen.

Als het lampje (9) continu groen brandt, is de accu volledig opgeladen. U kunt de accu gewoon in de lader laten zitten wanneer het oplaadlampje brandt. Het lampje gaat groen knipperen (opladen), omdat de accu door de lader af en toe wordt bijgeladen. Het oplaadlampje (9) blijft branden zo lang de accu zich op de lader bevindt en de lader is aangesloten op het stopcontact.

- ◆ Lege accu's moet u binnen een week opladen. Als u accu's leeg bewaart, wordt de levensduur van de accu's aanzienlijk verminderd.

### Het verlaten van de batterij in de lader

U kunt de accu gewoon in de lader laten zitten wanneer het oplaadlampje brandt. De lader houdt de accu volledig geladen.

### Problemen met de accu

Als er wordt geconstateerd dat de accu bijna leeg is of beschadigd is, gaat het oplaadlampje (9) snel rood knipperen. Ga in dat geval als volgt te werk:

- ◆ Verwijder de accu (7) en plaats deze opnieuw.
- ◆ Als het oplaadlampje snel rood blijft knipperen, gebruik dan een andere accu om te controleren of de lader wel goed werkt.
- ◆ Als de andere accu goed wordt opgeladen, is de oorspronkelijke accu defect. Breng de accu naar een servicecentrum voor recycling.
- ◆ Als het lampje ook bij de andere accu snel knippert, moet u de lader laten testen bij een erkend servicecentrum.

**Opmerking:** Het kan soms een uur duren om na te gaan of de accu goed functioneert. Als de accu te warm of te koud is, knippert het lampje afwisselend snel en langzaam rood.

### Aan- en uitschakelen (fig. E)

Voor uw veiligheid is deze machine uitgevoerd met een dubbel schakelsysteem. Dit systeem voorkomt onverwachts inschakelen van de machine.

#### Inschakelen

- ◆ Duw de ontgrendelingsknop (2) naar achteren met uw duim en knijp op hetzelfde moment de aan/uit-schakelaar (1) in.
- ◆ Laat de ontgrendelingsknop (2) los.

#### Uitschakelen

- ◆ Laat de aan/uit-schakelaar (1) los.

**Waarschuwing!** Probeer nooit om de schakelaar in de ingeschakelde stand te vergrendelen.

### Tips voor optimaal gebruik

- ◆ Begin met het knippen van de bovenkant van de heg. Houd de machine een beetje schuin (tot 15° ten opzichte van de knijplijn) zodat de bladpunten lichtjes naar de heg wijzen (fig. F1). Hierdoor zullen de messen beter snijden.

Houd de machine in de gewenste hoek en beweeg gelijkmatig langs de knijplijn. Dankzij het dubbelzijdige mes kunt u in beide richtingen knippen.

- ◆ Span om mooi recht te knippen een stuk draad op de gewenste hoogte over de gehele lengte van de heg. Gebruik de draad als een richtlijn en knip er iets boven.
- ◆ Knip om vlakke zijanten te krijgen naar boven met de groeirichting mee. Jongere stammen bewegen naar buiten toe indien u met het mes naar beneden knijpt. Dit leidt tot oneffenheden in de heg (fig. F2).
- ◆ Vermijd contact met vreemde voorwerpen. In het bijzonder harde voorwerpen zoals staaldraad en traliewerk, aangezien deze de messen kunnen beschadigen.
- ◆ Olie regelmatig de bladen.

### Wanneer te snoeien

- ◆ De meeste heggen en struiken die hun bladeren verliezen kunnen in juni en oktober worden gesnoeid.
- ◆ Heggen en struiken die altijd groen blijven, kunnen in april en augustus worden gesnoeid.
- ◆ Coniferen en andere snelgroeiende struiken kunnen vanaf mei ongeveer om de 6 weken worden gesnoeid.

### Reiniging, onderhoud en opslag

Uw Black & Decker apparaat is ontworpen om gedurende een lange periode te functioneren met een minimum aan onderhoud. Voortdurend tevreden gebruik is afhankelijk van correct onderhoud en regelmatig schoonmaken. Uw oplader behoeft geen ander onderhoud dan een regelmatige reiniging.

**Waarschuwing!** Verwijder de accu van het apparaat alvorens onderhoudswerkzaamheden uit te voeren. Haal voor het reinigen van de oplader de stekker uit het stopcontact.

### Na gebruik en voor opslag

- ◆ Reinig de messen na gebruik zorgvuldig. Breng na reiniging een dunne laag lichte machineolie aan om te voorkomen dat de messen gaan roesten.
- ◆ Reinig regelmatig de ventilatieopeningen van uw machine met een zachte borstel of een droge doek.
- ◆ Reinig regelmatig de behuizing van de motor met een vochtige doek. Gebruik geen schuur- of oplosmiddel bij het reinigen.
- ◆ Zorg voor en na het gebruik dat alle schakelaars vrij zijn van vuil.

### Berging

Laat bij voorkeur de accu op de oplader aangesloten als het apparaat een aantal maanden niet wordt gebruikt.

Ga anders als volgt te werk:

- ◆ Laad de accu volledig op.
- ◆ Verwijder de accu uit het apparaat.

- ◆ Berg het apparaat en accu op een veilige en droge plaats op. De temperatuur in de opbergruimte dient altijd tussen +10°C en +40°C te blijven. Plaats de accu op een egaal oppervlak.
- ◆ Laad de accu weer volledig op voordat u het apparaat na langere periode van berging gaat gebruiken.

U kunt het adres van het dichtstbijzijnde servicecentrum opvragen via de adressen op de achterzijde van deze handleiding. U kunt ook een lijst van onze servicecentra en meer informatie m.b.t. onze klantenservice vinden op het volgende internetadres: [www.2helpU.com](http://www.2helpU.com).

### Accu's



Gooi afgedankte accu's op verantwoorde wijze weg:

- ◆ Voorkom dat de polen van de accu worden kortgesloten.
- ◆ Werp accu's niet in het vuur. Dit kan letsel of een explosie tot gevolg hebben.
- ◆ Ontlaad de accu volledig en verwijder deze vervolgens uit het gereedschap.
- ◆ Accu's kunnen worden gerecycled. Plaats de accu('s) in een geschikte verpakking om te voorkomen dat de polen worden kortgesloten. Breng deze naar een servicecentrum of een inzamellocatie in uw woonplaats.

### Storingen verhelpen

Controleer wanneer het apparaat niet goed werkt het volgende:

Storing	Mogelijke oorzaak	Maatregel
Apparaat start niet.	Accu niet goed geïnstalleerd.	Controleer de installatie van de accu.
	Accu ontladen.	Plaats een (volledig) opgeladen accu.
	Ontgrendelingsknop niet bediend.	Neem de startprocedure in acht.
	Verbindingsdelen niet goed bevestigd.	Controleer de verbindingen.
Accu laadt niet op.	Accu niet goed geïnstalleerd.	Controleer de installatie van de accu.

### Milieu



Gescheiden inzameling. Dit product mag niet bij normaal huishoudelijk afval worden weggegooid.

Mocht u op een dag constateren dat het Black & Decker-product aan vervanging toe is of dat u het apparaat niet meer nodig hebt, gooi het product dan niet bij het restafval. Het product valt onder de categorie voor elektrische apparaten.



Gescheiden inzameling van gebruikte producten en verpakkingsmaterialen maakt het mogelijk materialen te recyclen en opnieuw te gebruiken. Hergebruik van gerecycleerde materialen zorgt voor minder milieuvuiling en dringt de vraag naar grondstoffen terug.

Plaatselijke verordeningen kunnen voorzien in gescheiden inzameling van huishoudelijke elektrische producten via gemeentelijke stortplaatsen of via de leverancier bij wie u een nieuw product aanschaft.

Black & Decker biedt de mogelijkheid tot het recyclen van afgedankte Black & Decker-producten. Om gebruik te maken van deze service, dient u het product naar een van onze servicecentra te sturen, die de inzameling voor ons verzorgen.

**Technische gegevens**

<b>GTC1843L H1</b>	
Spanning	Vdc 18
Schaarbewegingen (onbelast)	min <sup>-1</sup> 1400
Meslengte	cm 43
Tandsteek	mm 12
Afremtijd van het mes	s <1.0
Gewicht (zonder accu)	kg 3,2

<b>Accu BL1518</b>	
Spanning	Vdc 18
Capaciteit	Ah 1,5
Accutype	Li-Ion

<b>Lader 905531** TYPE 1</b>	
Ingangsspanning	Vac 230
Uitgangsspanning	Vdc 20,5
Uitgangsstroom	mA 200

Niveau van de geluidsvermogen,  
gemeten volgens EN60745:

L<sub>pA</sub> (geluidsvermogen) 82 dB(A)

L<sub>WA</sub> (geluidsvermogen) 93 dB(A), onzekerheid (K) 3 dB(A)

Totale trillingwaarden (som triaxvector)  
volgens EN 60745:

Waarde trillingsemissie (a<sub>r</sub>) 1,1 m/s<sup>2</sup>,  
onzekerheid (K) 1,5 m/s<sup>2</sup>

**EG-conformiteitsverklaring**

MACHINERICHTLIJN



**GTC1843L**

Black & Decker verklaart dat deze producten, zoals onder "technische gegevens" beschreven, overeenkomstig zijn met: 2006/42/EG, EN 60745-1, EN 60745-2-15

2000/14/EG, Heggenschaar, 1400 min<sup>-1</sup>, Bijlage V

L<sub>WA</sub> (gemeten geluidsvermogen) 93 dB(A),  
onzekerheid (K) 3 dB(A)

L<sub>WA</sub> (gegarandeerd geluidsvermogen) 95 dB(A),  
onzekerheid (K) 3 dB(A)

Deze producten zijn ook in overeenstemming met richtlijn 2004/108/EG.

Neem voor meer informatie contact op met Black & Decker op het volgende adres of raadpleeg de achterkant van de handleiding.

Ondergetekende is verantwoordelijk voor de compilatie van het technische bestand en doet deze verklaring namens Black & Decker.

Kevin Hewitt

Vice-President Global Engineering

Black & Decker Europe, 210 Bath Road, Slough,

Berkshire, SL1 3YD

Verenigd Koninkrijk

19-10-2010

## Garantie

Black & Decker heeft vertrouwen in haar producten en biedt een uitstekende garantie. Deze garantiebepalingen vormen een aanvulling op uw wettelijke rechten en beperken deze niet. De garantie geldt in de lidstaten van de Europese Unie en de Europese Vrijhandelsassociatie.

Mocht uw Black & Decker product binnen 24 maanden na de datum van aankoop defect raken ten gevolge van materiaal- of constructiefouten, dan garanderen wij de kosteloze vervanging van defecte onderdelen, de reparatie van het product of de vervanging van het product, tenzij:

- ◆ Het product is gebruikt voor handelsdoeleinden, professionele toepassingen of verhuurdoeleinden;
- ◆ Het product onoordeelkundig is gebruikt;
- ◆ Het product is beschadigd door invloeden van buitenaf of door een ongeval;
- ◆ Reparaties zijn uitgevoerd door anderen dan onze servicecentra of Black & Decker-personeel.

Om een beroep te doen op de garantie, dient u een aankoopbewijs te overhandigen aan de verkoper of een van onze servicecentra. U kunt het adres van het dichtstbijzijnde servicecentrum opvragen via de adressen op de achterzijde van deze handleiding. U kunt ook een lijst van onze servicecentra en meer informatie m.b.t. onze klantenservice vinden op het volgende internetadres: **[www.2helpU.com](http://www.2helpU.com)**

Meld u aan op onze website [www.blackanddecker.nl](http://www.blackanddecker.nl) om te worden geïnformeerd over nieuwe producten en speciale aanbiedingen. Verdere informatie over het merk Black & Decker en onze producten vindt u op **[www.blackanddecker.nl](http://www.blackanddecker.nl)**.

## Uso previsto

Su recortasetos Black & Decker ha sido diseñado para cortar setos, arbustos y zarzas. Esta herramienta está pensada únicamente para uso doméstico.

Su cargador Black & Decker está diseñado para cargar baterías Black & Decker del tipo suministrado con la herramienta.

## Instrucciones de seguridad

### Advertencias de seguridad generales para herramientas eléctricas



¡Atención! Lea todas las advertencias e instrucciones de seguridad. Si no se siguen las instrucciones de seguridad, pueden producirse descargas eléctricas, incendios o lesiones graves.

### Guarde todas las advertencias e instrucciones para consultarlas en el futuro.

El término "herramienta eléctrica" empleado en las advertencias indicadas a continuación hace referencia a la herramienta eléctrica con alimentación de red (con cable) o alimentada por batería (sin cable).

1. **Seguridad del área de trabajo**
  - a. **Mantenga limpia y bien iluminada el área de trabajo.** El desorden o una iluminación deficiente en las áreas de trabajo puede provocar accidentes.
  - b. **No utilice la herramienta eléctrica en un entorno con peligro de explosión, en el que se encuentren líquidos, gases o material en polvo inflamables.** Las herramientas eléctricas producen chispas que pueden llegar a inflamar el polvo o los vapores.
  - c. **Cuando utilice la herramienta eléctrica, mantenga alejados a los niños y a otras personas del área de trabajo.** Una distracción le puede hacer perder el control sobre la herramienta.
2. **Seguridad eléctrica**
  - a. **El enchufe de la herramienta eléctrica debe corresponder a la toma de corriente utilizada. No modifique el enchufe. No emplee adaptadores en herramientas eléctricas dotadas con toma de tierra.** Estas pautas le ayudarán a reducir el riesgo de descargas eléctricas.
  - b. **Evite tocar partes conectadas a tierra como tuberías, radiadores, cocinas y refrigeradores.** El riesgo de descarga eléctrica es mayor si el usuario entra en contacto con elementos conectados a tierra.
  - c. **No exponga las herramientas eléctricas a la lluvia y evite que penetren líquidos en su interior, ya que existe el peligro de recibir una descarga eléctrica.**
  - d. **Cuide el cable de alimentación. No lo utilice para transportar o colgar la herramienta eléctrica, ni tire de él para sacar el enchufe de la toma de corriente. Manténgalo alejado del calor, aceite, bordes afilados o piezas móviles.** Los cables de red dañados o enredados incrementan el riesgo de descarga eléctrica.
  - e. **Si trabaja con la herramienta eléctrica en el exterior, utilice solamente cables de prolongación homologados para uso en exteriores.** Esto le ayudará a reducir el riesgo de descarga eléctrica.
  - f. **Si la utilización de una herramienta eléctrica en un lugar húmedo es inevitable, utilice una fuente protegida con un dispositivo de corriente residual (RCD).** La utilización de un RCD reduce el riesgo de sufrir descargas eléctricas.
3. **Seguridad personal**
  - a. **Esté atento a lo que hace y utilice la herramienta eléctrica con prudencia. No la use si está cansado, ni si se encuentra bajo los efectos del alcohol, drogas o medicamentos.** Si desatiende la herramienta, aunque sea durante unos instantes, puede haber riesgo de lesiones graves.
  - b. **Utilice material de protección personal. Utilice siempre gafas de protección.** El riesgo de lesiones se reduce considerablemente si se utiliza material de protección adecuado como una mascarilla antipolvo, zapatos de seguridad con suela antideslizante, casco o protectores auditivos.
  - c. **Impida que la herramienta se ponga en marcha accidentalmente. Asegúrese de que el interruptor de encendido/apagado se encuentre en la posición de apagado antes de conectar la herramienta a la fuente de alimentación o a la batería, o de coger o transportar la herramienta.** Transportar la herramienta eléctrica con el dedo sobre el interruptor o enchufarla con el interruptor encendido puede provocar accidentes.
  - d. **Retire las herramientas de ajuste o llaves fijas antes de conectar la herramienta eléctrica.** Una herramienta o llave colocada en una pieza giratoria de la herramienta puede producir lesiones al ponerse ésta en marcha.
  - e. **Sea precavido. Evite adoptar una posición que fatigue su cuerpo; mantenga un apoyo firme sobre el suelo y conserve el equilibrio en todo momento.** Ello le permitirá controlar mejor la herramienta eléctrica en caso de presentarse una situación inesperada.
  - f. **Vístase con la ropa adecuada. No lleve ropa holgada ni joyas. Aleje el pelo, la ropa y los guantes de las piezas móviles.** La ropa holgada, las joyas y el pelo largo se pueden enganchar con las piezas en movimiento.



- g. Siempre que sea posible utilizar unos equipos de aspiración o captación de polvo, asegúrese de que éstos estén montados y que sean utilizados correctamente.** El empleo de estos equipos reduce los riesgos derivados del polvo.
- 4. Uso y cuidado de herramientas eléctricas**
- a. No sobrecargue la herramienta eléctrica. Use la herramienta adecuada para cada aplicación.** Con la herramienta eléctrica adecuada podrá trabajar mejor y más seguro dentro del margen de potencia indicado.
- b. No utilice herramientas eléctricas con un interruptor defectuoso.** Las herramientas eléctricas que no se puedan conectar o desconectar son peligrosas y deben hacerse reparar.
- c. Desconecte de la herramienta eléctrica el enchufe de la fuente de alimentación y de la batería antes de realizar cualquier ajuste, cambiar accesorios o guardar la herramienta.** Esta medida preventiva reduce el riesgo de encender accidentalmente la herramienta eléctrica.
- d. Guarde las herramientas eléctricas fuera del alcance de los niños y de las personas que no estén familiarizadas con su uso.** Las herramientas eléctricas utilizadas por personas inexpertas son peligrosas.
- e. Cuide sus herramientas eléctricas con esmero. Controle si funcionan correctamente, sin atascarse, las partes móviles de la herramienta eléctrica, y si existen partes rotas o deterioradas que pudieran afectar al funcionamiento de la herramienta. Si la herramienta eléctrica estuviese defectuosa haga que la reparen antes de volver a utilizarla.** Muchos accidentes se deben a herramientas eléctricas con un mantenimiento deficiente.
- f. Mantenga las herramientas de corte limpias y afiladas.** Las herramientas de corte que se mantienen correctamente se dejan guiar y controlar mejor.
- g. Utilice la herramienta eléctrica, los accesorios, los útiles de la herramienta, etc. de acuerdo con estas instrucciones, y tenga en cuenta las condiciones de trabajo y la tarea a realizar.** El uso de herramientas eléctricas para trabajos diferentes de aquellos para los que han sido concebidas puede resultar peligroso.
- 5. Uso y cuidado de la batería**
- a. Recargue la batería sólo con el cargador especificado por el fabricante.** Un cargador que sea específico para un tipo de batería podría suponer un riesgo de incendio si se utiliza con otra batería.
- b. Utilice herramientas eléctricas solamente cuando se especifique en la batería.** El uso de otra batería puede implicar un riesgo de incendio y lesiones.
- c. Cuando no se utilice la batería, manténgala alejada de objetos de metal como clips para papel, monedas, llaves, clavos, tornillos y otros pequeños objetos metálicos que pueden realizar una conexión de un terminal a otro.** Si provoca un cortocircuito entre los terminales de la batería, puede ocasionar un incendio o sufrir quemaduras.
- d. En condiciones extremas, es posible que la batería expulse líquido; evite el contacto. En caso de tocarlo accidentalmente, enjuáguese con agua. Si el líquido entra en contacto con los ojos, solicite asistencia médica.** El líquido que expulsa la batería puede producir irritación o quemaduras.
- 6. Servicio técnico**
- a. Esta herramienta eléctrica solo la puede reparar personal técnico autorizado que emplee exclusivamente piezas de repuesto originales.** Solamente así se garantiza la seguridad de la herramienta eléctrica.

#### Advertencias de seguridad adicionales para herramientas eléctricas



**¡Atención!** Advertencias de seguridad adicionales para caladoras y sierras alternativas.

- ◆ **Sujete la herramienta eléctrica por la superficie protegida cuando realice tareas donde el accesorio de corte pueda entrar en contacto con su propio cable.** Si dicho accesorio entra en contacto con un cable conectado, podrían quedar expuestas las partes metálicas y provocar una descarga eléctrica al usuario.
- ◆ **Mantenga todas las partes del cuerpo alejadas de la cuchilla. No quite el material cortado ni sujete el material que va a cortar cuando las cuchillas se estén moviendo. Asegúrese de que el interruptor esté apagado cuando quite el material atascado.** El no estar atento durante el uso de una herramienta eléctrica puede provocarle serias lesiones.
- ◆ **Transporte el recortasetos por el mango con la cuchilla parada. Cuando transporte o almacene el recortasetos instale siempre la tapa del dispositivo de corte.** La manipulación adecuada del recortasetos reducirá posibles lesiones personales debidas a las cuchillas.
- ◆ **Mantenga el cable alejado de la zona de corte.** Durante el funcionamiento, el cable puede quedar oculto entre los arbustos y cortarse accidentalmente.
- ◆ En este manual de instrucciones se explica el uso previsto. El uso de otros accesorios, adaptadores, o la propia utilización de la herramienta en cualquier forma

diferente de las recomendadas en este manual de instrucciones puede constituir un riesgo de lesiones a las personas y/o daños materiales.

- ◆ No coloque sus manos sobre el interruptor del mango delantero o sobre el gatillo de la herramienta mientras la transporta, a menos que previamente haya extraído la batería.
- ◆ Si nunca ha usado un recortasetos, es preferible que solicite el consejo de algún usuario con experiencia, además de leer con atención este manual.
- ◆ Nunca toque las cuchillas mientras la herramienta esté funcionando.
- ◆ Nunca intente forzar las cuchillas para que se paren.
- ◆ No suelte la herramienta hasta que las cuchillas estén totalmente paradas.
- ◆ Revise con regularidad las cuchillas por si estuvieran dañadas o desgastadas. No use la herramienta si las cuchillas están dañadas.
- ◆ evitar los objetos duros (p. ej. alambres, rejas) cuando esté recortando. En caso de tocar accidentalmente algún objeto de ese tipo, desconecte inmediatamente la herramienta y compruebe si está dañada.
- ◆ Si la herramienta empieza a vibrar de un modo anormal, desconéctela inmediatamente y compruebe si está dañada.
- ◆ Si la herramienta se atasca, desconéctela inmediatamente. Antes de intentar retirar cualquier elemento obstructor, extraiga la batería.
- ◆ Después de usar la herramienta, cubra las cuchillas con la funda incluida. Guarde la herramienta, asegurándose de que la cuchilla no quede expuesta.
- ◆ Siempre que utilice la herramienta asegúrese de que todas las protecciones están ajustadas. Nunca intente utilizar una herramienta incompleta o con modificaciones no autorizadas.
- ◆ No permita que los niños utilicen la herramienta, bajo ningún concepto.
- ◆ Preste atención a los restos que caigan cuando esté cortando los lados más altos del seto.
- ◆ Sujete siempre la herramienta con las dos manos y por los mangos provistos.

### La seguridad de terceros

- ◆ Ninguna persona (incluidos los niños) con capacidades físicas, sensoriales o mentales disminuidas, o que carezca de experiencia y conocimientos, debe utilizar este aparato, salvo que haya recibido supervisión o formación con respecto al uso del aparato por parte de una persona responsable de su seguridad.
- ◆ Los niños deben vigilarse en todo momento para garantizar que el aparato no se tome como elemento de juego.

### Vibración

El valor de emisión de vibraciones declarado en el apartado de características técnicas y en la declaración de conformidad se ha calculado según un método de prueba estándar proporcionado por la norma EN 60745 y podrá utilizarse para comparar una herramienta con otra. El valor de emisión de vibraciones declarado también podrá utilizarse en una evaluación preliminar de la exposición.

**¡Atención!** El valor de emisión de vibraciones durante el funcionamiento real de la herramienta eléctrica puede diferir del valor declarado en función de cómo se utilice dicha herramienta. El nivel de las vibraciones puede aumentar por encima del nivel declarado.

**¡Atención!** Al evaluar la exposición a las vibraciones con el fin de determinar las medidas de seguridad que exige la norma 2002/44/CE para proteger a las personas que utilizan periódicamente herramientas eléctricas en sus puestos de trabajo, deberá tenerse en cuenta una estimación de la exposición a las vibraciones, las condiciones de uso reales y el modo de empleo de la herramienta, así como los pasos del ciclo operativo como, por ejemplo, el número de veces que la herramienta se apaga y se desconecta y el tiempo de activación.

### Símbolos de advertencia

Encontrará los siguientes símbolos de advertencia en la herramienta:



**¡Atención!** Para reducir el riesgo de lesiones, el usuario debe leer el manual de instrucciones.



No utilice la herramienta en condiciones de humedad y no la exponga a la lluvia.



Utilice siempre calzado de seguridad antideslizante.



**¡Atención!** No toque la cadena en el punto de salida de las astillas.



Utilice siempre protección en la cabeza y los ojos.



A fin de garantizar un funcionamiento seguro continuo, compruebe la tensión de la cadena siguiendo el procedimiento que se describe en este manual cada 10 minutos de uso y ajústela según sea necesario para que disponga de un huelgo de 3 mm.



Esté atento a la caída de objetos. Mantenga alejados a los transeúntes.



Riesgo de electrocución. Manténgase alejado al menos 10 m de las líneas de alta tensión.

### Riesgos residuales

El uso de esta herramienta puede producir riesgos residuales adicionales no incluidos en las advertencias de seguridad adjuntas. Estos riesgos se pueden generar por un uso incorrecto, demasiado prolongado, etc.

El cumplimiento de las normas de seguridad correspondientes y el uso de dispositivos de seguridad no evitan ciertos riesgos residuales. Estos riesgos incluyen:

- ◆ Lesiones producidas por el contacto con piezas móviles o giratorias.
- ◆ Lesiones producidas al cambiar cualquier pieza, cuchilla o accesorio.
- ◆ Lesiones producidas al usar una herramienta por un tiempo demasiado prolongado. Si utiliza una herramienta durante períodos de tiempo demasiado prolongados, asegúrese de realizar pausas con frecuencia.
- ◆ Discapacidad auditiva.
- ◆ Riesgos para la salud producidos al respirar el polvo que se genera al usar la herramienta (por ejemplo: en los trabajos con madera, especialmente de roble, haya y tableros de densidad mediana).

### Instrucciones de seguridad adicionales para baterías y cargadores

#### Baterías

- ◆ No intente abrirlas bajo ningún concepto.
- ◆ No exponga la batería al agua.
- ◆ No exponga la batería al calor.
- ◆ No guarde la batería en lugares en los que la temperatura pueda superar los 40°C.
- ◆ Realice la carga únicamente a una temperatura ambiente de entre 10°C y 40°C.
- ◆ Utilice únicamente el cargador suministrado con el aparato o la herramienta para realizar la carga. La utilización de un cargador incorrecto podría provocar una descarga eléctrica o el recalentamiento de la batería.
- ◆ Para desechar las pilas o las baterías, siga las instrucciones facilitadas en la sección "Protección del medio ambiente".
- ◆ No dañe ni deforme la batería mediante perforaciones o golpes, ya que puede suponer un riesgo de incendio y de lesiones.
- ◆ No cargue baterías dañadas.

- ◆ Es posible que se produzcan fugas en las baterías en condiciones extremas. Cuando observe que se producen fugas en las baterías, limpie cuidadosamente el líquido con un paño. Evite el contacto con la piel.
- ◆ En caso de que se produzca contacto con la piel o los ojos, siga las instrucciones facilitadas a continuación.

**¡Atención! El líquido de las baterías puede provocar lesiones personales o daños materiales. En caso de que se produzca contacto con la piel, lave la zona con agua inmediatamente. Si se produce enrojecimiento, dolor o irritación, solicite atención médica. En caso de contacto con los ojos, lave la zona inmediatamente con agua limpia y solicite atención médica.**

#### Cargadores

**¡Atención! El cargador se ha diseñado para un voltaje específico. Cada vez que utilice el aparato, debe comprobar que el voltaje de la red eléctrica corresponde con el valor indicado en la placa de características.**

**¡Atención! No intente sustituir el cargador por un enchufe convencional para la red eléctrica.**

- ◆ Para cargar la batería del aparato o herramienta, utilice únicamente el cargador Black & Decker suministrado. En caso de intentar cargar otras baterías, estas podrían explotar, lo que podría provocar lesiones y daños personales.
- ◆ Nunca intente cargar baterías no recargables.
- ◆ Si el cable eléctrico está estropeado, debe ser sustituido por el fabricante o un servicio técnico autorizado de Black & Decker con el fin de evitar accidentes.
- ◆ No exponga el cargador al agua.
- ◆ No abra el cargador.
- ◆ No manipule el cargador.
- ◆ El cargador debe colocarse en una zona correctamente ventilada durante la carga.

#### Símbolos del cargador

Encontrará los siguientes símbolos en el cargador:



Su cargador tiene doble aislamiento; por consiguiente, no se requiere conexión a tierra. El cargador ha sido diseñado para un solo voltaje. Compruebe siempre que el voltaje de la red corresponde al valor indicado en la placa de características. No intente nunca sustituir el cargador por un enchufe normal a la red.

Si se llegase a dañar el cable de alimentación, deberá ser sustituido por el fabricante o por un centro de asistencia técnica autorizado de Black & Decker para evitar cualquier situación de riesgo.



El cargador está pensado únicamente para su uso en interiores.



Antes de la utilización, lea el manual de instrucciones.

### Vista general

1. Interruptor de encendido/apagado
2. Botón de desbloqueo
3. Mango principal
4. Cabezal recortador
5. Cuchilla
6. Funda de cuchilla
7. Batería

### Fig. A

8. Cargador
9. Indicador de carga

### Montaje

**¡Atención!** Para evitar una puesta en marcha accidental, asegúrese de retirar la batería y de que la funda de la cuchilla esté en su posición sobre las cuchillas antes de realizar las siguientes operaciones. De no hacerlo podrían producirse lesiones personales graves.

### Montaje y desmontaje de la bolsa del cabezal recortador (fig. C)

#### Acoplamiento del cabezal recortador

- ◆ Alinee la ranura del exterior del extremo de acoplamiento del mango (3) con la lengüeta del interior del extremo del acoplamiento del cabezal recortador (4).
- ◆ Introduzca el cabezal recortador (4) en el mango (3).
- ◆ Deslice el collarín (11) hacia abajo y gírelo en el sentido de las agujas del reloj hasta que quede totalmente apretado.

**¡Atención!** Compruebe las conexiones periódicamente para asegurarse de que estén firmemente apretadas. El collarín está correctamente fijado si no hay visibles roscas naranjas.

#### Retirada del cabezal recortador

- ◆ Apoye el mango (3) en el suelo, afloje el collarín (11) y saque el cabezal recortador (4).

#### Ajuste del ángulo del cabezal recortador (fig. D)

El cabezal recortador gira 180° y puede bloquearse en 5 posiciones dentro de ese intervalo.

**¡Atención!** Para evitar pillarse los dedos, lleve guantes y sujete la unidad como se muestra.

- ◆ Apoye el mango (3) en el suelo, deslice el collarín (12) hacia abajo y mueva el cabezal recortador (4) según sea necesario. Compruebe que el cabezal recortador encaje en su posición.

### Colocación y extracción de la batería (fig. B)

- ◆ Para introducir la batería (7), colóquela en línea con el alojamiento sobre la herramienta. Introduzca la batería en el alojamiento y empujela hasta que encaje en su sitio.
- ◆ Para quitar la batería, presione el botón liberador (10) al tiempo que extrae la batería de su alojamiento.

### Uso

**¡Atención!** Deje que la herramienta funcione a su ritmo. No la sobrecargue.

#### Carga de la batería (fig. A)

Es necesario cargar la batería antes del primer uso y cada vez que perciba que no dispone de suficiente potencia para tareas que eran fáciles de realizar anteriormente.

Es posible que la batería se caliente durante la carga, algo que es normal y no denota ningún problema.

**¡Atención!** No cargue la batería a una temperatura ambiente inferior a 10°C o superior a 40°C. Temperatura de carga recomendada: aprox. 24°C.

**Nota:** El cargador no cargará la batería si la temperatura de esta es inferior a los 10°C o superior a los 40°C aproximadamente.

Deje la batería en el cargador y este empezará a cargarla automáticamente cuando la temperatura de la batería aumente o disminuya.

- ◆ Para cargar la batería (7), extráigala de la herramienta e insértela en el cargador (8). La batería sólo encajará en el cargador en una dirección. No la fuerce. Asegúrese de que la batería queda perfectamente encajada en el cargador.
- ◆ Enchufe el cargador y conéctelo a la red eléctrica.
- ◆ El indicador de carga (9) parpadeará en verde de forma lenta pero continua.

La carga habrá finalizado cuando el indicador de carga (9) se ilumine en verde de manera continua. El cargador y la batería pueden permanecer conectados durante un período de tiempo indefinido con el indicador LED iluminado. El indicador LED pasará a parpadear en verde (estado de carga), ya que el cargador completa la carga de la batería ocasionalmente. El indicador de carga (9) permanecerá encendido siempre que la batería esté conectada al cargador y este último permanezca enchufado.

- ◆ Cargue las baterías descargadas en el plazo de 1 semana. La duración de la batería disminuirá considerablemente si ésta se almacena descargada.

**Dejar la batería en el cargador**

El cargador y la batería pueden permanecer conectados durante un período de tiempo indefinido con el indicador LED iluminado. El cargador mantendrá la unidad de alimentación completamente cargada.

**Diagnóstico del cargador**

Si el cargador detecta que la batería dispone de poca energía o está dañada, el indicador de carga (9) parpadeará en rojo a gran velocidad. Realice el procedimiento siguiente:

- ◆ Vuelva a insertar la batería (7).
- ◆ Si el indicador de carga continúa parpadeando en rojo rápidamente, utilice una batería diferente para determinar si el proceso de carga se efectúa correctamente.
- ◆ Si la batería sustituida se carga correctamente, significará que la batería original está defectuosa y que debe devolverla al centro de servicio para su reciclado.
- ◆ Si el cargador muestra la misma indicación con la batería nueva, llévelo a un centro de servicio autorizado para que lo revisen.

**Nota: Es posible que se empleen 60 minutos en determinar si la batería es defectuosa. Si la batería está demasiado fría o demasiado caliente, el indicador LED parpadeará en rojo rápida y lentamente, de manera alternativa, y se repetirá la secuencia.**

**Encendido y apagado (fig. E)**

Para su seguridad, esta herramienta viene equipada con un sistema de doble interruptor. Este sistema evita que la herramienta se ponga en marcha inesperadamente.

**Encendido**

- ◆ Pulse el botón de desbloqueo (2) hacia atrás usando el pulgar y al mismo tiempo apriete el interruptor de encendido/apagado (1).
- ◆ Suelte el botón de desbloqueo (2).

**Apagado**

- ◆ Suelte el interruptor de encendido/apagado (1).

**¡Atención!** No intente nunca bloquear el interruptor en la posición de encendido.

**Consejos para un uso óptimo**

- ◆ Comience recortando la parte superior del seto. Incline un poco la herramienta (unos 15° en relación con la línea de corte) de forma que las puntas de las cuchillas apunten ligeramente hacia el seto (fig. F1). Esto hará que las cuchillas corten con mayor efectividad. Sujete la herramienta en el ángulo deseado y muévela con firmeza a lo largo de la línea de corte. La cuchilla de doble filo le permite cortar en cualquier dirección.
- ◆ Para lograr un corte muy recto, coloque un cordel a lo largo del seto a la altura deseada. Use el cordel como guía, cortando justo por encima del mismo.

- ◆ Para lograr unos lados lisos, corte hacia arriba en el sentido del crecimiento. Los tallos más jóvenes se mueven hacia fuera cuando la cuchilla corta hacia abajo, ocasionando parches superficiales en el seto (fig. F2).
- ◆ Evite los objetos extraños. En particular, evite los objetos duros como el alambre y las rejas ya que se pueden dañar las cuchillas.
- ◆ Engrase periódicamente las cuchillas.

**Cuando igualar el seto**

- ◆ Como regla general, los setos y arbustos de hoja caduca (que sale todos los años) se deben igualar en junio y en octubre.
- ◆ Los setos de hoja perenne se deben igualar en abril y en agosto.
- ◆ Las coníferas y otros arbustos de crecimiento rápido se deben igualar cada 6 semanas aproximadamente, a partir de mayo.

**Limpieza, mantenimiento y almacenamiento**

Su herramienta Black & Decker está diseñada para que funcione durante un largo período de tiempo con un mantenimiento mínimo. El funcionamiento satisfactorio continuado depende de un cuidado apropiado y una limpieza periódica de la herramienta. Su cargador no requiere ningún mantenimiento aparte de una limpieza periódica.

Antes de efectuar cualquier mantenimiento en la herramienta, retire la batería de la herramienta. Desenchufe el cargador antes de limpiarlo.

**Después del uso y antes de su almacenamiento**

- ◆ Después de usar la herramienta, limpie con cuidado las cuchillas. Una vez limpias, aplique una fina capa de algún lubricante suave para herramientas para evitar que las cuchillas se oxiden.
- ◆ Limpie periódicamente las ranuras de ventilación de la herramienta con un cepillo suave o un paño seco.
- ◆ Limpie periódicamente la carcasa del motor con un paño húmedo. No utilice ninguna sustancia limpiadora abrasiva o que contenga disolventes.
- ◆ Asegúrese de que no queden residuos en los interruptores antes y después del uso.

**Almacenamiento**

Cuando la herramienta no se usa durante varios meses, resulta muy conveniente dejar la batería conectada al cargador.

En caso contrario, proceda del modo siguiente:

- ◆ Cargue totalmente la batería.
- ◆ Extraiga la batería de la herramienta.

- ◆ Guarde la herramienta y la batería en un lugar seco y seguro. La temperatura de almacenamiento siempre debe estar entre +10°C y +40°C. Coloque la batería sobre una superficie nivelada.
- ◆ Antes de volver a usar la herramienta tras un almacenamiento prolongado, cargue de nuevo totalmente la batería.

### Solución de problemas

Si la herramienta no funciona correctamente, compruebe lo siguiente:

Avería	Causa posible	Acción
La herramienta no se pone en marcha.	La batería no se ha instalado correctamente	Compruebe la instalación de la batería.
	Batería descargada.	Acople una batería (totalmente) cargada.
	El botón de desbloqueo no funciona.	Siga los pasos del procedimiento de arranque.
	Las conexiones de los polos no están correctamente apretadas.	Compruebe las conexiones.
La batería no carga.	La batería no se ha instalado correctamente.	Compruebe la instalación de la batería.

Black & Decker proporciona facilidades para la recogida y reciclado de los productos Black & Decker que han llegado al final de su vida útil. Para poder utilizar este servicio, le rogamos que entregue el producto a cualquier agente de servicio técnico autorizado para que se haga cargo de él en nuestro nombre.

Para consultar la dirección del agente de servicio técnico más cercano, póngase en contacto con la oficina local de Black & Decker en la dirección que se indica en este manual. Como alternativa, puede consultar en Internet la lista de servicios técnicos autorizados e información completa de nuestros servicios de posventa y contactos en la dirección siguiente: [www.2helpU.com](http://www.2helpU.com).

### Baterías



Al final de su vida útil, deséchelas respetando el medio ambiente:

- ◆ Procure no provocar un cortocircuito entre los terminales de la batería.
- ◆ No arroje las baterías al fuego, ya que podría provocar daños personales o una explosión.
- ◆ Deje que la batería se agote por completo y, a continuación, extráigala de la herramienta.
- ◆ Las baterías son reciclables. Coloque las baterías en un embalaje adecuado de modo que los terminales no entren en contacto y provoquen un cortocircuito. Llévelas al agente autorizado más cercano o a un centro de reciclaje local.

### Protección del medio ambiente



Recogida selectiva. No se debe desechar este producto con el resto de residuos domésticos.

Si llegase el momento en que fuese necesario sustituir su producto Black & Decker o si este dejase de tener utilidad para usted, no lo deseche junto con los residuos domésticos. Sepárelo para su recogida selectiva.



La recogida selectiva de productos y embalajes usados permite el reciclaje de materiales y su reutilización. La reutilización de materiales reciclados contribuye a evitar la contaminación medioambiental y reduce la demanda de materias primas.

Las normativas municipales deben ofrecer la recogida selectiva de productos eléctricos del hogar, en puntos municipales previstos para tal fin o a través del distribuidor cuando adquiera un nuevo producto.

**Características técnicas**

		<b>GTC1843L H1</b>	
Voltaje	Vdc	18	
Cortes de la cuchilla (sin carga)	min <sup>-1</sup>	1400	
Longitud de la cuchilla	cm	43	
Separación de la cuchilla	mm	12	
Tiempo de frenado de la cuchilla	s	<1.0	
Peso (sin batería)	kg	3,2	

		<b>BL1518</b>	
Voltaje	Vdc	18	
Capacidad	Ah	1,5	
Tipo de batería		Li-Ion	

		<b>905531** TYPE 1</b>	
Voltaje de entrada	Vac	230	
Voltaje de salida	Vdc	20,5	
Corriente de salida	mA	200	

Nivel de la presión sonora, medida según EN60745:

$L_{pA}$  (presión de sonora) 82 dB(A), incertidumbre (K) 3 dB(A)

$L_{WA}$  (potencia sonora) 93 dB(A), incertidumbre (K) 3 dB(A)

Valores totales de vibración (suma vectorial triaxial) de conformidad con la directiva EN 60745:

Valor de emisión de vibraciones ( $a_{T1}$ ) 1,1 m/s<sup>2</sup>,  
incertidumbre (K) 1,5 m/s<sup>2</sup>

**Declaración de conformidad CE**

DIRECTIVA DE MÁQUINAS

**GTC1843L**

Black & Decker declara que los productos descritos en "datos técnicos" son conformes con:  
2006/42/CE, EN 60745-1, EN 60745-2-15

2000/14/CE, Recortasetos, 1400 min<sup>-1</sup>, Anexo V  
 $L_{WA}$  (potencia sonora medida) 93 dB(A),  
incertidumbre (K) 3 dB(A)

$L_{WA}$  (potencia sonora garantizada) 95 dB(A),  
incertidumbre (K) 3 dB(A)

Estos productos también son conformes con la directiva 2004/108/CE.

Para más información, póngase en contacto con Black & Decker en la dirección siguiente o consulte el dorso de este manual.

El abajo firmante es responsable de la recopilación del archivo técnico y realiza esta declaración en nombre de Black & Decker.

Kevin Hewitt

Vice-President Global Engineering

Black &amp; Decker Europe, 210 Bath Road, Slough,

Berkshire, SL1 3YD

Reino Unido

19-10-2010

## Garantía

Black & Decker confía plenamente en la calidad de sus productos y ofrece una garantía extraordinaria. Esta declaración de garantía es un añadido, y en ningún caso un perjuicio para sus derechos estatutarios. La garantía es válida dentro de los territorios de los Estados miembros de la Unión Europea y de los de la Zona Europea de Libre Comercio.

Si cualquier producto de Black & Decker resultara defectuoso debido a materiales o mano de obra defectuosos o a la falta de conformidad, Black & Decker garantiza, dentro de los 24 meses posteriores a la fecha de compra, la sustitución de las piezas defectuosas, la reparación de los productos sujetos a un desgaste y rotura razonables o la sustitución de tales productos para garantizar al cliente el mínimo de inconvenientes, a menos que:

- ◆ El producto se haya utilizado con propósitos comerciales, profesionales o de alquiler.
- ◆ El producto se haya sometido a un uso inadecuado o negligente.
- ◆ El producto haya sufrido daños causados por objetos o sustancias extrañas o accidentes.

Se hayan realizado reparaciones por parte de personas que no sean del servicio técnico autorizado o personal de servicio de Black & Decker.

Para reclamar en garantía, será necesario que presente la prueba de compra al vendedor o al servicio técnico de reparaciones autorizado. Puede consultar la dirección de su servicio técnico más cercano poniéndose en contacto con la oficina local de Black & Decker en la dirección que se indica en este manual. Como alternativa, puede consultar en Internet la lista de servicios técnicos autorizados e información completa de nuestros servicios de postventa y contactos, en la dirección siguiente: **[www.2helpU.com](http://www.2helpU.com)**.

Visite nuestro sitio web [www.blackanddecker.eu](http://www.blackanddecker.eu) para registrar su nuevo producto Black & Decker y mantenerse al día sobre nuestros productos y ofertas especiales. Encontrará más información acerca de la marca Black & Decker y de la gama de productos que ofrece en la dirección **[www.blackanddecker.eu](http://www.blackanddecker.eu)**.



## Utilização

O seu corta-sebes Black & Decker foi concebido para cortar sebes, arbustos e ramagens. Esta ferramenta destina-se apenas ao doméstico.

O seu carregador Black & Decker foi concebido para carregar as baterias Black & Decker do tipo fornecido com esta ferramenta.

## Instruções de segurança

### Avisos de segurança gerais para ferramentas eléctricas



**Advertência! Leia com atenção todos os avisos de segurança e instruções.** O não cumprimento de todas as instruções pode resultar em choque eléctrico, incêndio e/ou graves lesões.

### Guarde todos os avisos e instruções para consulta futura.

A expressão “ferramenta eléctrica” utilizada a seguir refere-se a ferramentas eléctricas com ligação à corrente eléctrica (com cabo) ou com bateria (sem fios).

#### 1. Segurança na área de trabalho

- Mantenha a área de trabalho limpa e bem iluminada.** As áreas desarrumadas ou mal iluminadas são propícias a acidentes.
- Não trabalhe com ferramentas eléctricas em áreas com risco de explosão, nas quais se encontrem líquidos, gases ou poeiras inflamáveis.** As ferramentas eléctricas produzem faíscas que podem provocar a ignição de poeiras ou vapores.
- Mantenha crianças e outras pessoas afastadas durante a utilização da ferramenta eléctrica.** As distrações podem dar origem a que perca o controlo da ferramenta.


#### 2. Segurança eléctrica

- A ficha da ferramenta eléctrica deve caber na tomada. A ficha não deve ser modificada de modo algum. Não utilize quaisquer fichas adaptadoras em ferramentas eléctricas com ligação à terra.** Fichas sem modificações e tomadas adequadas reduzem o risco de choques eléctricos.
- Evite que o corpo entre em contacto com superfícies ligadas à terra, como tubos, radiadores, fogões e frigoríficos.** Existe um maior risco de choque eléctrico se o seu corpo estiver ligado à terra.
- As ferramentas eléctricas não podem ser expostas a chuva nem humidade.** A penetração de água na ferramenta eléctrica aumenta o risco de choques eléctricos.

- Manuseie o cabo com cuidado. O cabo não deve ser utilizado para transportar ou pendurar a ferramenta, nem para puxar a ficha da tomada. Mantenha o cabo afastado de calor, óleo, pontas afiadas ou partes móveis.** Cabos danificados ou torcidos aumentam o risco de choques eléctricos.
- Quando trabalhar com uma ferramenta eléctrica ao ar livre, utilize um cabo de extensão apropriado para esse fim.** A utilização de um cabo apropriado para áreas ao ar livre reduz o risco de choques eléctricos.
- Se for inevitável trabalhar com uma ferramenta eléctrica num local húmido, utilize um Dispositivo de Corrente Residual (RCD).** A utilização de um RCD reduz o risco de choque eléctrico.

#### 3. Segurança pessoal

- Mantenha-se atento, observe o que está a fazer e seja prudente ao trabalhar com a ferramenta eléctrica. Não utilize uma ferramenta eléctrica se estiver cansado ou sob a influência de drogas, álcool ou medicamentos.** Um momento de falta de atenção durante a utilização de ferramentas eléctricas poderá causar graves lesões.
- Utilize equipamento de protecção pessoal. Use sempre óculos de protecção.** Equipamento de protecção como, por exemplo, máscara anti-poeiras, sapatos de segurança anti-derrapantes, capacete de segurança ou protecção auricular, de acordo com o tipo e a aplicação de ferramenta eléctrica, reduz o risco de lesões.
- Evite arranques involuntários. Certifique-se de que o botão está desligado antes de ligar a ferramenta à corrente eléctrica e/ou à bateria, e antes de pegar ou transportar a ferramenta.** Transportar ferramentas eléctricas com o dedo no botão ou ligar ferramentas eléctricas à tomada com o interruptor na posição de ligado pode dar origem a acidentes.
- Retire eventuais chaves de ajuste ou chaves de fenda antes de ligar a ferramenta eléctrica.** Uma chave de fenda ou chave de ajuste que se encontre numa peça em rotação da ferramenta eléctrica poderá causar lesões.
- Não se incline. Mantenha-se sempre bem posicionado e em equilíbrio.** Desta forma, será mais fácil controlar a ferramenta eléctrica em situações inesperadas.
- Utilize vestuário adequado. Não utilize roupas largas nem jóias. Mantenha o cabelo, roupa e luvas afastados de peças em movimento.** Roupas largas, jóias ou cabelos longos podem ficar presos nas peças em movimento.

- g. Se for prevista a montagem de dispositivos de extracção e recolha de pó, assegure-se de que estão ligados e que são utilizados de forma correcta.** A recolha das poeiras pode reduzir os riscos provocados por poeiras.
- 4. Utilização e manutenção da ferramenta eléctrica**
- a. Não sobrecarregue a ferramenta eléctrica. Utilize a ferramenta eléctrica adequada para o trabalho pretendido.** A ferramenta eléctrica correcta realizará o trabalho de forma melhor e mais segura, com a potência com que foi concebida.
- b. Não utilize a ferramenta eléctrica se o interruptor não puder ser ligado nem desligado.** Qualquer ferramenta eléctrica que não possa ser controlada com o interruptor é perigosa e terá de ser reparada.
- c. Desligue a ficha da tomada e/ou a bateria da tomada antes de proceder a ajustes, trocar acessórios ou guardar ferramentas eléctricas.** Estas medidas de prevenção de segurança reduzem o risco de ligação inadvertida da ferramenta eléctrica.
- d. Mantenha as ferramentas eléctricas que não estiverem a ser utilizadas fora do alcance de crianças.** Não permita que a ferramenta eléctrica seja utilizada por pessoas não familiarizadas com a mesma ou que não tenham lido estas instruções. As ferramentas eléctricas são perigosas se utilizadas por pessoas não qualificadas.
- e. Efectue a manutenção das ferramentas eléctricas.** Verifique se as partes móveis estão desalinhadas ou bloqueadas, se existem peças partidas ou qualquer outra situação que possa afectar o funcionamento das ferramentas eléctricas. As peças danificadas devem ser reparadas antes da utilização da ferramenta eléctrica. Muitos acidentes têm como causa uma manutenção insuficiente das ferramentas eléctricas.
- f. Mantenha as ferramentas de corte sempre afiadas e limpas.** As ferramentas de corte com a manutenção adequada e extremidades afiadas bloqueiam com menos frequência e são mais fáceis de controlar.
- g. Utilize a ferramenta eléctrica, acessórios e peças de ferramenta de acordo com estas instruções, considerando as condições de trabalho e a tarefa a ser executada.** A utilização da ferramenta eléctrica para fins diferentes dos previstos pode resultar em situações perigosas.
- 5. Utilização e manutenção da bateria**
- a. Carregue apenas com o carregador especificado pelo fabricante.** Um carregador adequado para um tipo de bateria pode dar origem a risco de incêndio quando utilizado com outro tipo de bateria.
- b. Utilize ferramentas eléctricas apenas com baterias específicas.** A utilização de outras baterias pode provocar ferimentos e incêndio.
- c. Quando uma bateria não estiver a ser utilizada, mantenha-a afastada de outros objectos metálicos como, por exemplo, cliques, moedas, chaves, pregos, parafusos ou outros pequenos objectos metálicos que possam fazer ligação de um terminal a outro.** O curto-circuito de terminais de bateria pode causar queimaduras ou incêndio.
- d. Sob condições exageradas, a bateria pode verter líquido – evite o contacto. Se ocorrer um contacto accidental, lave abundantemente com água. Se o líquido entrar em contacto com os olhos, procure assistência médica.** O líquido vertido da bateria pode causar irritação ou queimaduras.
- 6. Reparação**
- a. A sua ferramenta eléctrica só deve ser reparada por pessoal qualificado e só devem ser colocadas peças sobressalentes originais.** Isso garante a manutenção da segurança da ferramenta eléctrica.
- Avisos de segurança adicionais para ferramentas eléctricas**
-  **Advertência!** Avisos de segurança adicionais para serras de recortes e serras de vaivém.
- ◆ **Segure a ferramenta eléctrica pelas áreas isoladas quando executar uma operação em que o acessório de corte possa entrar em contacto com a cablagem oculta ou com o seu próprio cabo.** Cortar um acessório em contacto com um cabo “electrificado” poderá expor peças metálicas do sistema eléctrico da ferramenta e provocar um choque eléctrico ao operador.
  - ◆ **Mantenha todas as partes do corpo afastadas da lâmina de corte.** Não retire material cortado nem segure no material a cortar enquanto as lâminas estiverem em movimento. **Assegure-se de que o interruptor está desligado antes de proceder à remoção de material encravado.** Um momento de falta de atenção durante a utilização de ferramentas eléctricas pode causar graves lesões.
  - ◆ **Transporte o corta-sebes pela punho com a lâmina de corte parada.** Para transportar ou armazenar o corta-sebes, coloque sempre a tampa do dispositivo de corte. Um manuseamento correcto do corta-sebes irá reduzir possíveis ferimentos pessoais causados pelas lâminas de corte.
  - ◆ **Mantenha o cabo afastado da área de corte.** Durante o funcionamento, o cabo poderá ficar coberto por arbustos, podendo ser acidentalmente cortado.

- ◆ Neste manual indicam-se as aplicações do aparelho. O uso de qualquer acessório ou da própria ferramenta para realizar quaisquer operações além das recomendadas neste manual de instruções pode dar origem a ferimentos e/ou danos em propriedade.
- ◆ Não carregue a ferramenta com as mãos no interruptor da frente do punho ou no gatilho a menos que a bateria tenha sido removida.
- ◆ Se não utilizou um corta-sebes anteriormente, é preferível que peça instruções sobre a utilização a um utilizador experimentado além de estudar este manual.
- ◆ Nunca toque nas lâminas enquanto a ferramenta estiver a funcionar.
- ◆ Nunca tente forçar a paragem das lâminas.
- ◆ Não largue a ferramenta enquanto as lâminas não estiverem completamente paradas.
- ◆ Verifique regularmente se as lâminas estão danificadas ou desgastadas. Não utilize a ferramenta quando as lâminas estiverem danificadas.
- ◆ Tome cuidado para evitar objectos duros (ex. cabo de metal, grades) enquanto estiver a cortar. Se atingir acidentalmente tais objectos, desligue imediatamente a ferramenta e verifique se há algum dano.
- ◆ Se a ferramenta começar a vibrar de maneira anormal, desligue-a imediatamente e verifique se há algum dano.
- ◆ Se a ferramenta parar, desligue-a imediatamente. Remova a bateria antes de tentar remover qualquer obstrução.
- ◆ Após o uso, coloque o estojo da lâmina fornecido sobre as lâminas. Ao guardar a ferramenta, certifique-se de que a lâmina não fica exposta.
- ◆ Assegure-se sempre de que todos os resguardos estão encaixados antes de utilizar a ferramenta. Nunca tente utilizar ferramentas incompletas ou que contenham modificações não autorizadas.
- ◆ Não deixe que as crianças utilizem a ferramenta.
- ◆ Tenha em atenção a queda de detritos aquando do corte de sebes grandes.
- ◆ Segure a ferramenta sempre com as duas mãos e pelos punhos fornecidos.

### Segurança de terceiros

- ◆ Este aparelho não deve ser utilizado por pessoas (incluindo crianças) que apresentem capacidades físicas, sensoriais ou mentais reduzidas ou que não possuam os conhecimentos e a experiência necessários, excepto se forem vigiadas e instruídas acerca da utilização do aparelho por uma pessoa responsável pela sua segurança.
- ◆ As crianças deverão ser vigiadas para que não mexam no aparelho.

### Vibração

Os valores de emissão de vibração declarados na secção de dados técnicos e na declaração de conformidade foram medidos de acordo com o método de teste padrão fornecido pela EN 60745 e podem ser utilizados para comparar ferramentas. O valor de emissão de vibração declarado pode ainda ser utilizado numa avaliação preliminar de exposição.

**Advertência!** O valor de emissão de vibração durante a utilização actual da ferramenta eléctrica pode ser diferente do valor declarado, dependendo da forma como a ferramenta é utilizada. O nível de vibração pode aumentar acima do nível indicado.

**Advertência!** Quando avaliar a exposição da vibração para determinar as medidas de segurança exigidas pela 2002/44/EC para proteger pessoas que utilizem regularmente ferramentas eléctricas, deve ser considerada uma estimativa de exposição de vibração, as actuais condições de utilização e o modo de como a ferramenta é utilizada, incluindo ainda todas as partes do ciclo de funcionamento, como os períodos de inactividade e espera da ferramenta, para além do tempo de funcionamento.

### Símbolos de advertência

Os símbolos de advertência a seguir encontram-se na ferramenta:



**Advertência!** Para reduzir o risco de ferimentos, o utilizador deve ler o manual de instruções.



Não utilize a ferramenta em condições de humidade nem a exponha à chuva.



Utilize sempre calçado de segurança antiderrapante.



**Advertência!** Não toque na corrente no ponto de eliminação de lascas.



Utilize sempre protecção para a cabeça e ocular.



Para garantir um funcionamento sempre seguro, verifique a tensão da corrente como descrito neste manual, a cada 10 minutos de utilização e ajuste-a até obter uma folga de 3 mm, como indicado.



Tenha atenção aos objectos em queda. Mantenha as outras pessoas afastadas.



Perigo de electrocussão. Mantenha a ferramenta a uma distância mínima de 10 m de linhas aéreas.

### Riscos residuais

Podem surgir riscos residuais adicionais durante a utilização da ferramenta que poderão não constar nos avisos de segurança incluídos. Estes riscos podem resultar de má utilização, uso prolongado, etc.

Mesmo com a aplicação dos regulamentos de segurança relevantes e com a implementação de dispositivos de segurança, alguns riscos residuais não podem ser evitados. Incluem:

- ◆ ferimentos causados pelo contacto com peças em rotação/movimento.
- ◆ ferimentos causados durante a troca de peças, lâminas ou acessórios.
- ◆ ferimentos causados pela utilização prolongada de uma ferramenta. Quando utilizar uma ferramenta por períodos prolongados, faça intervalos regulares.
- ◆ diminuição da audição.
- ◆ problemas de saúde causados pela inalação de poeiras resultantes da utilização da ferramenta (exemplo: trabalhos em madeira, especialmente carvalho, faia e MDF).

### Instruções de segurança adicionais para baterias e carregadores

#### Baterias

- ◆ Nunca tente abrir a bateria por motivo algum.
- ◆ Não exponha a bateria à água.
- ◆ Não exponha a bateria ao calor.
- ◆ Não armazene em locais onde a temperatura possa exceder os 40°C.
- ◆ Carregue apenas a temperaturas ambiente entre 10°C e 40°C.
- ◆ Carregue apenas com o carregador fornecido com o aparelho/ferramenta. A utilização do carregador errado pode resultar em choque eléctrico ou sobreaquecimento da bateria.
- ◆ Quando eliminar as baterias, siga as instruções da secção " Protecção do ambiente".
- ◆ Não danifique a bateria por perfuração ou impacto, pois poderá originar risco de ferimentos e incêndio.
- ◆ Não carregue baterias danificadas.

- ◆ Em condições extremas, pode ocorrer uma fuga nas baterias. Se detectar a fuga de líquido das baterias, limpe o líquido cuidadosamente com um pano. Evite o contacto com a pele.
- ◆ Em caso de contacto com a pele ou com os olhos, siga as instruções seguintes.

**Advertência! O fluido da bateria pode causar ferimentos pessoais ou danos materiais. Em caso de contacto com a pele, enxágue imediatamente com água. Em caso de vermelhidão, dor ou irritação, contacte um médico. Em caso de contacto com os olhos, enxágue imediatamente com água limpa e contacte um médico.**

#### Carregadores

**Advertência! O seu carregador foi concebido para uma tensão específica. Verifique sempre se a tensão de alimentação corresponde à tensão indicada na placa de especificações.**

**Advertência! Nunca tente substituir a unidade do carregador por uma tomada normal de alimentação.**

- ◆ Utilize o seu carregador Black & Decker apenas para carregar a bateria do aparelho/ferramenta com que foi fornecido. Outras baterias poderão rebentar, provocando lesões pessoais e danos.
- ◆ Nunca tente carregar baterias não recarregáveis.
- ◆ Se o cabo de alimentação estiver danificado, terá de ser substituído pelo fabricante ou por um centro de assistência autorizado Black & Decker para evitar acidentes.
- ◆ Não exponha o carregador à água.
- ◆ Não abra o carregador.
- ◆ Não manipule o interior do carregador.
- ◆ O carregador deve ser colocada numa área com boa ventilação durante o carregamento.

#### Símbolos no Carregador

Os seguintes símbolos encontram-se no seu carregador:



O seu carregador tem duplo isolamento, não sendo, por isso, necessária uma ligação à terra. Assegure-se de que a voltagem do seu carregador corresponde com a rede de energia. Nunca tente substituir o carregador por uma tomada de energia normal.

Se o cabo de alimentação for danificado, terá de ser substituído pelo fabricante ou por um centro de assistência autorizada Black & Decker para evitar acidentes.



O carregador destina-se apenas a ser utilizado no interior.



Leia o manual de instruções antes de utilizar.

### Visão geral

1. Interruptor de ligar/desligar
2. Botão de travamento
3. Punho principal
4. Cabeça do aparador
5. Lâmina
6. Estojo das lâminas
7. Bateria

### Fig. A

8. Carregador
9. Indicador de carga

## Montagem

Para evitar a colocação acidental em funcionamento, certifique-se de que a bateria foi retirada e de que o estojo das lâminas está colocado sobre as mesmas antes de efectuar as operações que se seguem. O não cumprimento desta instrução poderá resultar em ferimentos graves.

### Colocação e remoção da cabeça do aparador (fig. C)

#### Colocação da cabeça do aparador

- ◆ Alinhe a ranhura na parte exterior da extremidade de encaixe do punho (3) com a saliência na parte interior da extremidade de encaixe da cabeça do aparador (4).
- ◆ Empurre a cabeça do aparador (4) em direcção ao punho (3).
- ◆ Empurre o anel (11) para baixo e rode-o no sentido dos ponteiros do relógio até estar totalmente apertado.

Verifique periodicamente as ligações para se certificar de que estão devidamente apertadas. O anel está devidamente apertado quando não existirem roscas laranja visíveis.

#### Remoção da cabeça do aparador

- ◆ Pouse o punho (3) no solo, desaperte o anel (11) e retire a cabeça do aparador (4).

#### Ajuste do ângulo da cabeça do aparador (fig. D)

A cabeça do aparador roda 180° e pode ser fixa em 5 posições dentro dessa amplitude.

Para evitar trilhar os dedos, utilize luvas e segure a unidade como ilustrado.

- ◆ Pouse o punho (3) no solo, empurre o anel (12) para baixo e desloque a cabeça do aparador (4) conforme necessário. Assegure-se de que a cabeça do aparador encaixa em posição.

### Colocação e remoção da bateria (fig. B)

- ◆ Para colocar a bateria (7), alinhe-a com o respectivo receptáculo na ferramenta. Empurre a bateria em direcção ao respectivo receptáculo até encaixar.
- ◆ Para retirá-la, prima o botão de libertação (10) e puxe a bateria para fora do respectivo receptáculo.

### Utilização

**Advertência! Deixe a ferramenta funcionar ao seu próprio ritmo. Não a sobrecarregue.**

#### Carregar a bateria (fig. A)

A bateria precisa de ser carregada antes da primeira utilização e sempre que não consiga produzir energia suficiente em trabalhos habitualmente feitos sem dificuldade. A bateria pode aquecer durante o carregamento; isto é normal e não indica um problema.

**Advertência! Não carregue a bateria a temperaturas ambientes abaixo de 10°C ou acima de 40°C.**

**Temperatura de carregamento recomendada: aprox. 24°C.**

**Nota: O carregador não irá carregar a bateria se a temperatura das células for inferior a, aproximadamente, 10°C ou superior a 40°C. A bateria não deve ser retirada do carregador para que este carregue automaticamente quando a temperatura das células aquecer ou arrefecer.**

- ◆ Para carregar a bateria (7), remova-a da ferramenta e insira-a no carregador (8). A bateria só pode ser encaixada no carregador de uma forma. Não force. Certifique-se de que a bateria está completamente introduzida no carregador.
- ◆ Ligue o carregador e ligue-o à corrente.
- ◆ O indicador de carga (9) ficará intermitente a verde de forma contínua (lento).

O carregamento está concluído quando o indicador de carga (9) se acender a verde de forma contínua. O carregador e a bateria podem permanecer ligados indefinidamente com o LED aceso. O LED passará para o estado de intermitente a verde (a carregar) à medida que o carregador preenche a carga da bateria. O indicador de carga (9) ficará aceso enquanto a bateria estiver fixa ao carregador ligado na tomada.

- ◆ As baterias descarregadas devem ser carregadas no espaço de 1 semana. A vida útil da bateria diminuirá consideravelmente se for guardada descarregada.

#### Deixando a bateria no carregador

O carregador e a bateria podem permanecer ligados indefinidamente com o LED aceso. O carregador irá manter a unidade de alimentação completamente carregado.

**Diagnóstico do carregador**

Se o carregador detectar uma bateria fraca ou danificada, o indicador de carga (9) piscará rapidamente a vermelho. Proceda da seguinte forma:

- ◆ Volte a colocar a bateria (7).
- ◆ Se o indicador de carga continuar a piscar rapidamente a vermelho, utilize uma bateria diferente para determinar se o processo de carga está a funcionar correctamente.
- ◆ Se a bateria de substituição carregar correctamente, então a bateria original está defeituosa e deve ser entregue num centro de serviço para reciclagem.
- ◆ Se a bateria nova der a mesma indicação que a bateria original, leve o carregador até um centro de assistência autorizado para ser testado.

**Nota:** Determinar se a bateria está defeituosa pode demorar até 60 minutos. Se a bateria estiver demasiado quente ou fria, o LED piscará alternadamente de modo rápido e lento, piscando uma vez a cada velocidade e repetindo o processo.

**Como ligar e desligar a ferramenta (fig. E)**

Para sua segurança, esta ferramenta está equipada com um sistema de comutação duplo. Este sistema evita que a ferramenta seja ligada inadvertidamente.

**Activação**

- ◆ Empurre o botão de travamento (2) para trás com o dedo polegar e carregue, ao mesmo tempo, no interruptor para ligar/desligar (1).
- ◆ Solte o botão de travamento (2).

**Desactivação**

- ◆ Solte o interruptor para ligar/desligar (1).

Nunca tente bloquear o interruptor na posição de ligado.

**Sugestões para uma melhor utilização**

- ◆ Comece por cortar o topo da sebe. Incline ligeiramente a ferramenta (até 15° relativamente à linha de corte) de maneira que a lâmina se incline ligeiramente em direcção à sebe (fig. F1). Isto fará com que as lâminas cortem mais eficazmente. Segure a ferramenta no ângulo desejado e mova-a firmemente junto à linha de corte. A lâmina de dois lados permite o corte em qualquer direcção.
- ◆ De modo a obter um corte bem recto, estique um pedaço de cordão ao longo do comprimento da sebe na altura desejada. Utilize o cordão como linha de direcção, cortando logo acima dele.
- ◆ De modo a obter lados planos, corte para cima com o crescimento. Os troncos jovens afastam-se quando a lâmina corta para baixo, causando partes rasas na sebe (fig. F2).

- ◆ Tome cuidado para evitar qualquer objecto estranho. Evite especialmente objectos duros tais como cabos de metal e grades, uma vez que estes podem danificar as lâminas.
- ◆ Lubrifique regularmente as lâminas.

**Quando cortar**

- ◆ Como guia geral, sebes e arbustos com folhas sazonais (novas todos os anos) podem ser aparadas em Junho e Outubro.
- ◆ As sebes de folha permanente podem ser aparadas em Abril e Agosto.
- ◆ As sebes de crescimento rápido podem ser acertadas de seis em seis semanas, a partir do mês de Maio.

**Limpeza, manutenção e armazenamento**

Esta ferramenta Black & Decker foi desenvolvida para funcionar por um longo período, com um mínimo de manutenção. O funcionamento contínuo e satisfatório depende de limpeza regular e de manutenção adequada. O seu carregador não requer qualquer manutenção para além de uma limpeza regular.

Antes de executar qualquer manutenção na ferramenta, retire a bateria. Desligue a ficha do carregador antes de o limpar.

**Após a utilização e antes do armazenamento**

- ◆ Após a utilização, limpe as lâminas cuidadosamente. Após a limpeza, aplique uma película de óleo de máquina para evitar que as lâminas enferrujem.
- ◆ Limpe regularmente as ranhuras de ventilação da ferramenta utilizando uma escova suave ou um pano seco.
- ◆ Limpe regularmente o compartimento do motor utilizando um pano húmido. Não utilize nenhum detergente abrasivo nem à base de solvente.
- ◆ Certifique-se de que todos os interruptores estão livres de detritos antes e após a utilização da ferramenta.

**Armazenamento**

Caso não utilize a ferramenta por vários meses, o ideal é deixar a bateria ligada ao carregador.

Caso contrário, proceda da seguinte forma:

- ◆ Carregue totalmente a bateria.
- ◆ Remova a bateria da ferramenta.
- ◆ Guarde a ferramenta e a bateria num local seco e seguro. A temperatura de armazenamento deve permanecer na faixa de +10°C a +40°C. Coloque a bateria numa superfície horizontal.
- ◆ Antes de utilizar a ferramenta após um longo período sem funcionamento, carregue novamente a bateria.

**Resolução de problemas**

Se a ferramenta não funcionar correctamente, verifique o seguinte.

Falha	Possível causa	Solução
A ferramenta não funciona.	Bateria não instalada correctamente.	Verifique a instalação da bateria.
	Bateria descarregada.	Coloque uma bateria (completamente) carregada.
	Botão de travamento não accionado.	Cumpra o procedimento de arranque.
	Ligações dos pólos incorrectamente apertadas.	Verifique as ligações.
A bateria não carrega.	Bateria não instalada correctamente.	Verifique a instalação da bateria.

**Pilhas**

Quando as pilhas chegarem ao fim da sua vida útil, elimine-as de forma segura para o ambiente:

- ◆ Não coloque os terminais da bateria em curto-circuito.
- ◆ Não elimine as pilhas queimando-as, dado que tal constitui um risco de ferimentos ou de explosão.
- ◆ Deixe a bateria descarregar completamente e, em seguida, remova-a da ferramenta.
- ◆ As pilhas são recicláveis. Coloque as pilhas numa embalagem adequada, certificando-se de que os terminais não entram em curto-circuito. Leve as baterias ao seu agente de manutenção autorizado ou a uma estação de reciclagem local.

**Protecção do ambiente**

Recolha separada. Este produto não pode ser eliminado juntamente com os resíduos domésticos normais.

Se, em algum momento, for necessário substituir o aparelho ou se este deixar de ter utilidade, não elimine o produto num caixote do lixo. Este produto pode ser separado para reciclagem.



A recolha separada de produtos e embalagens usados permite que os materiais sejam reciclados e reutilizados. A reutilização de materiais reciclados ajuda a evitar a poluição ambiental e reduz a procura de matérias-primas.

A legislação local poderá prever a recolha separada de produtos domésticos eléctricos, seja em lixeiras municipais ou através do revendedor quando adquire um produto novo.

A Black & Decker dispõe de instalações para recolha e reciclagem de produtos Black & Decker quando estes atingem o fim da sua vida útil. Para usufruir deste serviço, devolva o produto em qualquer agente de reparação autorizado, que os recolherá em seu nome.

Pode verificar a localização do agente de reparação autorizado mais perto de si, contactando os escritórios locais da Black & Decker através do endereço indicado neste manual. Se preferir, pode encontrar na Internet uma lista de agentes de reparação autorizados Black & Decker, detalhes completos e contactos do serviço pós-venda, no endereço: [www.2helpU.com](http://www.2helpU.com).



**Dados técnicos**

<b>GTC1843L H1</b>	
Voltagem	Vdc 18
Movimentos da lâmina (sem carga)	min <sup>-1</sup> 1400
Comprimento da lâmina	cm 43
Distância entre lâminas	mm 12
Tempo de travagem da lâmina	s <1.0
Peso (sem a bateria)	kg 3,2

<b>Bateria BL1518</b>	
Voltagem	Vdc 18
Capacidade	Ah 1,5
Tipo de bateria	Li-Ion

<b>Carregador 905531** TYPE 1</b>	
Voltagem de entrada	Vac 230
Voltagem de saída	Vdc 20,5
Corrente de saída	mA 200

Nível de potência sonora, medido de acordo com a norma EN60745:

$L_{pA}$  (pressão sonora) 82 dB(A), imprecisão (K) 3 dB(A)  
 $L_{WA}$  (potência sonora) 93 dB(A), imprecisão (K) 3 dB(A)

Valores totais de vibração (soma de vectores triax) de acordo com a EN 60745:

Valor de emissão de vibração ( $a_h$ ) 1,1 m/s<sup>2</sup>, imprecisão (K) 1,5 m/s<sup>2</sup>

**Declaração de conformidade CE**

DIRECTIVA DE MAQUINARIA



**GTC1843L**

A Black & Decker declara que os produtos descritos na secção "dados técnicos" se encontram em conformidade com:

2006/42/CE, EN 60745-1, EN 60745-2-15

2000/14/CE, Corta-sebes, 1400 min<sup>-1</sup>, Anexo V

$L_{WA}$  (potência sonora medida) 93 dB(A), imprecisão (K) 3 dB(A)

$L_{WA}$  (potência sonora garantida) 95 dB(A), imprecisão (K) 3 dB(A)

Estes produtos também se encontram em conformidade com a directiva 2004/108/CE.

Para obter mais informações, contacte a Black & Decker no endereço indicado ou consulte a parte posterior do manual.

O signatário é responsável pela compilação do ficheiro técnico e efectua esta declaração em nome da Black & Decker.

Kevin Hewitt

Vice-President Global Engineering

Black & Decker Europe, 210 Bath Road, Slough, Berkshire, SL1 3YD

Reino Unido

19-10-2010



## Garantia

A Black & Decker confia na qualidade dos seus produtos e oferece uma garantia excelente. Esta declaração de garantia é um complemento dos seus direitos estabelecidos por lei, não os prejudicando de forma alguma. A garantia é válida nos territórios dos Estados Membros da União Europeia e da Associação Europeia de Comércio Livre.

Se um produto Black & Decker se avariar devido a defeitos de material, fabrico ou não conformidade, num período de 24 meses após a data da compra, a Black & Decker garante a substituição de peças defeituosas, a reparação de produtos sujeitos a um desgaste aceitável ou a substituição dos mesmos para garantir o mínimo de inconveniente ao cliente, excepto se:

- ◆ O produto tiver sido utilizado para fins comerciais, profissionais ou de aluguer.
- ◆ O produto tiver sido submetido a utilização indevida ou descuido.
- ◆ O produto tiver sido danificado por objectos estranhos, substâncias ou acidentes.
- ◆ Tiverem sido tentadas reparações por pessoas que não sejam agentes de reparação autorizados ou técnicos de manutenção da Black & Decker.

Para accionar a garantia, terá de apresentar comprovativos de compra ao vendedor ou a um agente de reparação autorizado. Pode verificar a localização do agente de reparação autorizado mais perto de si, contactando os escritórios locais da Black & Decker através do endereço indicado neste manual. Se preferir, pode encontrar na Internet uma lista de agentes de reparação autorizados Black & Decker, detalhes completos e contactos do serviço pós-venda, no endereço: **[www.2helpU.com](http://www.2helpU.com)**.

Visite o nosso website [www.blackanddecker.eu](http://www.blackanddecker.eu) para registar o novo produto Black & Decker e manter-se actualizado sobre novos produtos e ofertas especiais. Pode encontrar mais informações sobre a marca Black & Decker e sobre a nossa gama de produtos em **[www.blackanddecker.eu](http://www.blackanddecker.eu)**.

## Användningsområde

Denna Black & Decker häcksax är konstruerad för klippning av häckar, buskar och snår. Verktyget är endast avsett som konsumentverktyg.

Din Black & Decker batteriladdare är avsedd för laddning av Black & Decker-batterier av den typ som medföljer verktyget.

## Säkerhetsinstruktioner

### Allmänna säkerhetsanvisningar för elverktyg



**Varning! Läs alla säkerhetsföreskrifter och alla anvisningar.** Om anvisningarna nedan inte följs kan det orsaka elektriska stötar, brand och/eller allvarliga kroppsskador.

**Spara alla säkerhetsföreskrifter och anvisningar för framtida bruk.** Begreppet "elverktyg" nedan syftar på nätdrivna elverktyg (med nätsladd) och batteridrivna elverktyg (sladdlösa).

#### 1. Säkerhet i arbetsområdet

- Håll arbetsplatsen ren och välbelyst.** Oreda eller dålig belysning på arbetsplatsen kan leda till olyckor.
- För att undvika explosionsrisk bör du inte använda elverktyget i omgivningar med brännbara vätskor, gaser eller damm.** Elverktyg alstrar gnistor som kan antända dammet eller gaserna.
- Håll barn och andra personer på betryggande avstånd när du använder elverktyg.** Om du blir distraherad kan du förlora kontrollen.

#### 2. Elsäkerhet

- Elverktygets stickkontakt måste passa i eluttaget. Stickkontakten får absolut inte ändras. Använd inte adapterkontakter tillsammans med jordade elverktyg.** Med oförändrade stickkontakter och passande vägguttag minskas risken för elstötar.
- Undvik kroppskontakt med jordade ytor som t.ex. rör, värmeelement, spisar och kylskåp.** Risken för elektriska stötar ökar om din kropp är jordad.
- Skydda elverktyget mot regn och väta.** Om vatten tränger in i ett elverktyg ökar risken för elektriska stötar.
- Hantera inte nätsladden ovarsamt. Använd inte sladden för att bära eller dra elverktyget och inte heller för att dra ut kontakten ur vägguttaget. Håll nätsladden borta från värme, olja, skarpa kanter och rörliga maskindelar.** Risken att du får en elstöt är större om sladdarna är skadade eller tilltrasslade.

- Använd endast förlängningssladdar som är godkända för utomhusbruk när du arbetar med elverktyg utomhus.** Om du använder en förlängningssladd som är avsedd för utomhusbruk minskar risken för att du ska få en elstöt.
- Om du måste använda ett elverktyg på en fuktig plats ska du använda jordfelsbrytare.** Jordfelsbrytaren minskar risken för stötar.

#### 3. Personlig säkerhet

- Var uppmärksam, se på vad du gör och använd elverktyget med förnuft. Använd inte elverktyget när du är trött eller om du är påverkad av droger, alkohol eller mediciner.** Vid användning av elverktyg kan även en kort tids uppmärksamhet leda till allvarliga kroppsskador.
  - Använd skyddsutrustning. Bär alltid skyddsglasögon.** Den personliga skyddsutrustningen, t.ex. dammfiltermask, halkfria säkerhetsskor, hjälm och hörselskydd, minskar risken för kroppsskada när den används vid rätt tillfällen.
  - Undvik oavsiktlig igångsättning. Kontrollera att strömbrytaren står i avstängt läge innan du ansluter verktyget till elnätet eller sätter i batteriet, samt innan du tar upp eller bär verktyget.** Det kan vara mycket farligt att bära ett elverktyg med fingret på strömbrytaren eller koppla det till nätet respektive sätta i batteriet med strömbrytaren i till-läge.
  - Ta bort alla inställningsverktyg och skruvnycklar innan du startar elverktyget.** Ett verktyg eller en nyckel i en roterande komponent kan orsaka kroppsskada.
  - Sträck dig inte för långt. Se till att du alltid har säkert fotfäste och balans.** Därmed har du bättre kontroll över elverktyget i oväntade situationer.
  - Bär lämpliga kläder. Bär inte löst hängande kläder eller smycken. Håll undan hår, kläder och handskar från rörliga delar.** Löst hängande kläder, smycken och långt hår kan fastna i roterande delar.
  - Om elverktyget har utrustning för dammsugning och -uppsamling ska du kontrollera att utrustningen är rätt monterad och används på korrekt sätt.** Utrustningen kan minska riskerna när damm bildas.
- #### 4. Bruk och skötsel av elverktyg
- Överbelasta inte elverktyget. Använd rätt elverktyg för det aktuella arbetet.** Med rätt elverktyg kan du arbeta bättre och säkrare med det som verktyget är avsett för.
  - Använd inte elverktyget om det inte går att starta och stänga av det med strömbrytaren.** Ett elverktyg som inte kan startas och stängas av med strömbrytaren är farligt och måste repareras.

- c. Dra ut stickproppen ur vägguttaget och/eller ta ut batteriet ur elverktuget innan inställningar utförs, tillbehör byts eller elverktuget ställs undan. Denna säkerhetsåtgärd förhindrar oavsiktlig start av elverktuget.
- d. Förvara elverktuget utom räckhåll för barn. Låt inte elverktuget användas av personer som inte är vana vid det, eller som inte läst denna bruksanvisning. Elverktuget är farliga om de används av ovana personer.
- e. Sköt elverktuget omsorgsfullt. Kontrollera att rörliga komponenter fungerar felfritt och inte kärvar, att komponenter inte gått sönder eller skadats och inget annat föreligger som kan påverka elverktugets funktion. Om elverktuget är skadat ska du se till att få det reparerat innan det används. Många olyckor orsakas av dåligt skötta elverktuget.
- f. Håll skärverktuget vassa och rena. Omsorgsfullt skötta skärverktuget med skarp egg fastnar inte så lätt och går lättare att styra.
- g. Använd elverktuget, tillbehör, insatsverktuget osv. enligt dessa anvisningar och på sätt som föreskrivits för aktuell verktygsmodell. Ta hänsyn till arbetsvillkoren och arbetsmomenten. Om elverktuget används på felaktigt sätt kan farliga situationer uppstå.
5. Användning och skötsel av elverktuget
- a. Ladda endast med hjälp av den laddare som tillverkaren rekommenderar. En laddare som passar till en viss sorts batteri kan orsaka eldsvåda om den används med en annan sort.
- b. Använd elverktuget endast med batterier som är speciellt avsedda för ändamålet. Om du använder andra batterier kan det leda till personskada och eldsvåda.
- c. När batteriet inte används ska du hålla det åtskilt från metallföremål som gem, mynt, nycklar, spik, skruvar och andra små metallföremål som kan orsaka kortslutning mellan batteriets poler. Kortslutning av batteripolerna kan leda till brännskador eller eldsvåda.
- d. Om batteriet hanteras ovarsamt kan det tränga ut vätska från batteriet. Undvik kontakt med vätskan. Om du ändå råkar komma i kontakt med vätskan ska du skölja med vatten. Uppsök läkare om du får vätskan i ögonen. Batterivätska kan orsaka irritation eller brännskador.
6. Service
- a. Service och reparationer av elverktuget ska endast utföras av kvalificerad fackpersonal och med originalreservdelar. Detta garanterar att elverktugets säkerhet bibehålls.

## Ytterligare säkerhetsanvisningar för elverktuget



**Varning!** Tillkommande säkerhetsvarningar för kortslutningar och tigersågar.

- ◆ Håll i de isolerade greppytorna på elverktuget i situationer där dolda kablar eller verktygets egen sladd riskerar att kapas. Kontakt med en strömförande ledning vid kapning kan göra oisolerade metalldelar på elverktuget strömförande och användaren kan få en stöt.
- ◆ Håll alla kroppsdelar undan från skärbladet. Ta inte bort avskapat material och håll inte i material som ska kapas medan knivarna är igång. Kontrollera noga att strömbrytaren är avstängd när material som fastnat ska rensas bort. Under användning av elverktuget kan ett ögonblicks bristande uppmärksamhet leda till allvarliga kroppsskador.
- ◆ Bär häcksaxen i handtaget med knivarna stoppade. Vid transport eller förvaring av häcksaxen ska alltid bladskyddet sitta på. Korrekt hantering av häcksaxen minskar risken för att knivarna ska orsaka personskador.
- ◆ Håll kabeln borta från arbetsområdet. Under användning kan kabeln råka döljas i buskar och oavsiktligt bli skuren i.
- ◆ Verktygets avsedda bruk beskrivs i denna bruksanvisning. Bruk av tillbehör eller tillsatser, eller utförande av någon verksamhet med detta verktyg, som inte rekommenderas i denna bruksanvisning kan innebära risk för personskada och/eller skada på egendom.
- ◆ Bär inte verktyget med händerna på den främre säkerhetsströmbrytaren eller på strömbrytaren om batteriet inte har avlägsnats.
- ◆ du aldrig har använt en häcksax förut rekommenderar vi att du ber en erfaren användare om praktiska råd, förutom att du noga läser igenom bruksanvisningen.
- ◆ Rör aldrig knivarna medan verktyget är igång.
- ◆ Försök aldrig tvinga knivarna att stanna.
- ◆ Lägg aldrig ifrån dig verktyget innan knivarna har stannat helt.
- ◆ Kontrollera knivarna regelbundet på skada eller slitage. Använd inte verktyget om knivarna är skadade.
- ◆ Var noga med att undvika hårda föremål (t ex metalltrådar eller staket) när du klipper. Om du oavsiktligt stöter på hårda föremål skall verktyget omedelbart stängas av och eventuella skador undersökas.
- ◆ Stäng genast av verktyget och syna på skador om du känner onormala vibrationer.
- ◆ Stäng genast av verktyget om det fastnar. Tag bort batteriet innan du avlägsnar föremål som eventuellt har fastnat i häcksaxen.
- ◆ Placera det medföljande bladskyddet över bladen efter avslutat arbete. Förvara verktyget så att ingen kan komma åt bladet av misstag.

- ◆ Se alltid till att alla skydd är monterade när du använder verktyget. Försök aldrig använda ett verktyg där delar saknas eller otillåtna ändringar har utförts.
- ◆ Låt aldrig barn använda verktyget.
- ◆ Tänk på fallande rester när du klipper sidorna av en hög häck.
- ◆ Håll alltid i verktyget med båda händerna och i de tillgängliga handtagen.

### Säkerhet för andra

- ◆ Apparaten ska inte användas av personer (inklusive barn) med nedsatt fysisk eller psykisk förmåga eller bristande erfarenhet eller kunskap om de inte får vägledning och övervakas av en person som ansvarar för deras säkerhet.
- ◆ Barn ska hållas under uppsikt så att de inte leker med apparaten.

### Vibrationer

De uppgivna vibrationsvärdena som anges i avsnitten Tekniska data och förklaringen om överensstämmelse med EU-regler har uppmätts i enlighet med en standardtestmetod föreskriven i EN 60745 och kan användas för jämförelse med andra verktyg. Det uppgivna vibrationsvärdet kan även användas för en preliminär bedömning av exponering.

**Varning!** Vibrationsvärdet under faktisk användning av elverktyget kan skilja sig från det uppgivna värdet beroende på hur verktyget används. Vibrationsnivån kan överstiga den uppgivna nivån.

**Varning!** Vid uppskattningar av exponering för vibrationer i syfte att bedöma vilka säkerhetsåtgärder som är nödvändiga enligt 2002/44/EC för att skydda personer som regelbundet använder elverktyg i arbetet ska man utgå från de faktiska omständigheter under vilka elverktyget används och sättet på vilket det används. Bedömningen ska även ta hänsyn till alla moment i arbetscykeln, t.ex. när verktyget är avstängt och när det går på tomgång såväl som när det faktiskt används.

### Varningsymboler

Följande varningsymboler finns på verktyget:



**Varning!** För att minska risken för skador måste användaren läsa igenom bruksanvisningen.



Använd inte verktyget under fuktiga förhållanden och utsätt det inte för regn.



Bär alltid halkfria säkerhetsskor.



**Varning!** Rör inte kedjan vid spånutkastet.



Använd alltid skydd för huvud och ögon.



Kontrollera var tionde minut att kedjan är ordentligt spänd (se anvisningarna i denna bruksanvisning) och justera den inom en marginal på 3 mm efter behov.



Akta dig för nedfallande föremål. Håll obehöriga personer på betryggande avstånd.



Risk för livsfarliga elstötar. Håll minst 10 m avstånd till luftledningar.

### Övriga risker

Ytterligare risker som inte finns med i de bifogade säkerhetsföreskrifterna kan uppstå när verktyget används. Dessa risker kan uppstå vid felaktig eller långvarig användning, etc.

Även om alla relevanta säkerhetsföreskrifter följs och säkerhetsanordningar används kan vissa ytterligare risker inte undvikas. Dessa innefattar:

- ◆ Skador orsakade av att roterande/rörliga delar vidrörs.
- ◆ Skador som uppstår vid byte av delar, blad eller tillbehör.
- ◆ Skador som orsakas av långvarig användning av ett verktyg. Se till att ta regelbundna raster när du använder ett verktyg under en längre period.
- ◆ Skador på hörseln.
- ◆ Hälsofaror orsakade av inandning av damm när verktyget används (exempel: arbete med trä, särskilt ek, bok och MDF).

### Ytterligare säkerhetsinstruktioner för batterier och laddare

#### Batterier

- ◆ Försök aldrig att öppna batterierna.
- ◆ Utsätt inte batteriet för vatten.
- ◆ Utsätt inte batteriet för värme.
- ◆ Förvara inte apparaten på platser där temperaturen kan bli högre än 40°C.
- ◆ Ladda endast vid lufttemperaturer mellan 10°C och 40°C.
- ◆ Ladda endast med hjälp av laddaren som medföljer apparaten. Användning av fel laddare kan resultera i en elektrisk stöt eller att batteriet överhettas.
- ◆ Följ instruktionerna i avsnittet "Miljö" när du gör dig av med batterier.

- ◆ Skydda batteriet från skador/deformeringar i form av slag och stötar eftersom det kan leda till personskador eller eldsvåda.
- ◆ Ladda inte skadade batterier.
- ◆ Under extrema förhållanden kan batterierna läcka. Om det finns vätska på batterierna, ska du torka bort vätskan försiktigt med hjälp av en trasa. Undvik hudkontakt.
- ◆ Vid kontakt med hud eller ögon, följ instruktionerna nedan.

**Varning! Batterivätskan kan orsaka person- eller materialskador. Vid hudkontakt, skölj genast med vatten. Vid rodnader, smärta eller irritation ska läkare uppsökas. Vid kontakt med ögon, skölj genast med rent vatten, och uppsök läkare.**

### Laddare

**Varning! Laddaren är avsedd för en viss spänning.**

**Kontrollera alltid att nätspänningen överensstämmer med värdet på typskylten.**

**Varning! Försök aldrig byta ut kontakten till laddaren mot en vanlig kontakt.**

- ◆ Använd laddaren från Black & Decker endast för att ladda batteriet i den apparat som laddaren levererades med. Andra batterier kan spricka och orsaka personskador och andra skador.
- ◆ Försök aldrig att ladda ej uppladdningsbara batterier.
- ◆ Om nätsladden är skadad måste den för undvikande av fara bytas ut av tillverkaren eller en auktoriserad Black & Decker-verkstad.
- ◆ Utsätt inte laddaren för vatten.
- ◆ Öppna inte laddaren.
- ◆ Gör ingen åverkan på laddaren.
- ◆ Laddaren ska placeras på en plats med god ventilation vid laddning.

### Symboler på laddaren

Följande symboler finns på laddaren:



Laddaren är dubbelisolerad; jordledare är således överflödigt. Kontrollera att laddarens spänning överensstämmer med nätspänningen. Försök aldrig att ersätta laddningsenheten med en vanlig nätkontakt.

Om nätsladden är skadad måste den för undvikande av fara bytas ut av tillverkaren eller en auktoriserad Black & Decker-verkstad.



Laddaren är endast avsedd för inomhusbruk.



Läs bruksanvisningen före bruk.

## Översikt

1. Strömbrytare
2. Låsknapp
3. Huvudhandtag
4. Trimhuvud
5. Blad
6. Bladskydd
7. Batteri

### Fig. A

8. Laddare
9. Laddningsindikator - laddning pågår

## Montering

Kontrollera att batteriet är avlägsnat och att bladskyddet sitter på bladen innan nedanstående handlingar utförs för att förhindra oavsiktlig drift. Underlåtenhet att inte följa ovanstående anvisning kan leda till allvarliga personskador.

### Fastsättning och borttagning av trimhuvudet (fig. C)

#### Montering av trimhuvudet

- ◆ Rikta in spåret på utsidan av handtagets kopplingsände (3) med tungan på insidan av trimhuvudets kopplingsände (4).
- ◆ Tryck fast trimhuvudet (4) på handtaget (3).
- ◆ Skjut ner kragen (11) och rotera den medsols tills den är ordentligt åtdragen.

Kontrollera regelbundet anslutningarna för att garantera att de är ordentligt åtdragna. Kragen sitter fast ordentligt om ingen orange gänga längre syns.

#### Borttagning av trimhuvudet

- ◆ Vila handtaget (3) på marken, lossa kragen (11) och ta lös trimhuvudet (4).

#### Inställning av trimhuvudets vinkel (fig. D)

Trimhuvudet kan vridas 180° och kan spärras i 5 olika lägen inom detta område.

Bär handskar och håll verktyget som på bilden för att undvika att du klämmer dig.

- ◆ Vila handtaget (3) på marken, skjut kragen (12) nedåt och för trimhuvudet (4) till önskat läge. Se till att huvudet knäpper fast.

#### Placering och borttagning av batteriet (fig. B)

- ◆ Montera batteriet (7) genom att rikta det efter hållaren på verktyget. Skjut sedan in batteriet i hållaren tills det klickar fast.
- ◆ Avlägsna batteriet genom att trycka på knappen (10) och samtidigt dra ut batteriet ur hållaren.

## Användning

**Varning!** Låt redskapet arbeta i sin egen takt.

Överbelasta det inte.

### Ladda batteriet (fig. A)

Batteriet måste laddas innan det används för första gången och sedan varje gång som det inte ger tillräckligt hög effekt för arbeten som annars brukar gå bra.

Batteriet kan bli varmt när det laddas. Det är normalt och innebär inte att något är fel.

**Varning!** Ladda inte batteriet om lufttemperaturen är lägre än 10°C eller högre än 40°C. Rekommenderad laddningstemperatur: cirka 24°C.

**Obs!** Laddaren laddar inte batteriet om celltemperaturen är lägre än cirka 10°C eller över 40°C. Batteriet får då sitta kvar i laddaren, som kommer att börja laddningen automatiskt när celltemperaturen har stigit eller sjunkit.

- ◆ Vid laddning tar du ut batteriet (7) ur verktyget och sätter det i laddaren (8). Batteriet kan bara placeras i laddaren på ett sätt. Använd inte våld. Se till att batteriet sitter ordentligt i laddaren.
- ◆ Anslut laddaren till vägguttaget.
- ◆ Laddningsindikatorn (9) börjar blinka grönt (långsamt).

När batteriet är laddat lyser laddningsindikatorn (9) med ett fast grönt sken. Batteriet kan sitta kvar i laddaren och laddaren kan vara ansluten till vägguttaget hur länge som helst när indikatorn lyser. Indikatorn kommer emellanåt att börja blinka grönt (laddningsläge) eftersom laddaren då och då fyller på batteriets laddning. Laddningsindikatorn (9) lyser när batteriet sitter i laddaren och laddaren är ansluten till ett eluttag.

- ◆ Urladdade batterier bör laddas inom 1 vecka. Om batterierna inte laddas när de är urladdade förkortas batteritiden avsevärt.

### Om du lämnar batteriet i laddaren

Batteriet kan sitta kvar i laddaren och laddaren kan vara ansluten till vägguttaget hur länge som helst när indikatorn lyser. Laddaren ser till att batteripaketet hålls fulladdat.

### Laddardiagnostik

Om laddaren upptäcker ett svagt eller skadat batteri börjar laddningsindikatorn (9) att blinka rött snabbt. Gör så här:

- ◆ Sätt tillbaka batteriet (7).
- ◆ Om laddningsindikatorn fortsätter att blinka rött snabbt kan du använda ett annat batteri för att kontrollera om laddningsprocessen fungerar som den ska.
- ◆ Om det utbytta batteriet kan laddas utan problem är det gamla batteriet defekt och bör lämnas till ett servicecenter för återvinning.
- ◆ Om problemet kvarstår med det nya batteriet bör du ta med laddaren till ett auktoriserat servicecenter.

**Obs!** Det kan ta upp till 60 minuter att avgöra om batteriet är defekt. Om batteriet är för varmt eller för kallt blinkar indikatorn rött omväxlande snabbt och långsamt med en blinkning i varje hastighet.

### Start och stopp (fig. E)

Av säkerhetsskäl är verktyget försett med ett dubbelt start/stoppsystem. Systemet gör att det inte går att starta verktyget av misstag.

#### Start

- ◆ Tryck spärknappen (2) bakåt med tummen och tryck samtidigt in strömbrytaren (1).
- ◆ Släpp spärknappen (2).

#### Avstängning

- ◆ Släpp strömbrytaren (1).

Försök aldrig låsa en strömbrytare i startläge.

#### Råd för bästa resultat

- ◆ Börja med att klippa häckens ovansida. Luta häcksaxen något (upp till 15° mot snittlinjen) så att knivspetsarna riktas mot häcken (fig. F1). Detta gör att knivarna klipper mer effektivt. Håll verktyget i önskad vinkel och förflytta det lugnt och stadigt längs snittlinjen. Dubbelsidiga knivar tillåter klippning i båda riktningarna.
- ◆ För att uppnå en mycket rät klipplinje kan du spänna ett snöre på önskad höjd längs häcken. Använd snöret som en riktlinje och klipp precis ovanför det.
- ◆ För att få sidorna räta bör du klippa nedifrån och upp i växtriktningen. Yngre kvistar böjer sig utåt om du klipper nedåt, vilket gör att häcken får glesa fläckar (fig. F2).
- ◆ Var noga med att undvika främmande föremål. Se särskilt till att undvika hårda föremål såsom metalltråd och staket, eftersom dessa kan skada knivarna.
- ◆ Smörj knivarna regelbundet.

## Rengöring, underhåll och förvaring

Ditt Black & Decker verktyg har tillverkats för att fungera under lång tid med ett minimum av underhåll. Med rätt underhåll och regelbunden rengöring behåller verktyget sin prestanda. Laddaren behöver inget underhåll förutom regelbunden rengöring.

Tag bort batteriet innan underhåll utförs på verktyget. Tag ur laddarkontakten före rengöring.

### Efter användning och innan förvaring

- ◆ Rengör knivarna noggrant efter varje användning. Täck knivarna efter rengöring med ett fint lager smörjolja för att undvika att de rostas.
- ◆ Rengör regelbundet verktygets luftintag med en mjuk borste eller torr trasa.
- ◆ Rengör kåpan regelbundet med en fuktig trasa. Använd aldrig rengöringsmedel med lösnings- eller slipmedel i.

- ◆ Kontrollera före och efter bruk att alla strömbrytare är fria från skräp.

### Förvaring

Batteriet bör helst vara anslutet till laddaren om verktyget inte ska användas på flera månader.

Gör annars så här:

- ◆ Ladda batteriet så mycket det går.
- ◆ Tag ut batteriet ur verktyget.
- ◆ Förvara verktyget och batteriet på en säker och torr plats. Förvaringstemperaturen måste alltid ligga mellan +10°C och +40°C. Placera batteriet på en horisontell yta.
- ◆ Ladda batteriet ordentligt på nytt innan verktyget tas i bruk igen efter att ha förvarats under en längre tid.

### Felsökning

Kontrollera nedanstående punkter om verktyget inte fungerar korrekt.

Fel	Möjlig orsak	Åtgärd
Verktyget startar inte.	Batteriet fel placerat.	Kontrollera batteriets placering.
	Batteriet urladdat.	Placera ett (helt) laddat batteri.
	Spärrknappen ej intryckt.	Starta verktyget enligt anvisningarna.
	Lösa polanslutningar.	Kontrollera anslutningarna.
Batteriet kan ej laddas.	Batteriet fel placerat.	Kontrollera batteriets placering.

### Miljö



Separat insamling. Produkten får inte kastas i hushållssoporna.

OTänk på miljön när du slänger denna Black & Decker-produkt. Släng den inte tillsammans med hushållsavfallet. Lämna produkten för separat insamling.



Insamling av uttjänta produkter och förpackningsmaterial gör att material kan återanvändas. Användning av återvunnet material minskar föroreningar av miljön och behovet av råmaterial.

Lokala föreskrifter kan kräva separat insamling av elprodukter från hushållen, vid kommunala samlingsplatser eller hos återförsäljaren när du köper en ny produkt.

Black & Decker samlar in och återvinner uttjänta Black & Decker-produkter. Om du vill utnyttja denna tjänst återlämnar du produkten till en auktoriserad verkstad, som samlar in den för vår räkning.

För information om närmaste auktoriserade verkstad, kontakta det lokala Black & Decker-kontoret på den adress som är angiven i bruksanvisningen. En lista över alla auktoriserade verkstäder samt servicevillkor finns på Internet:

[www.2helpU.com](http://www.2helpU.com).

### Batterier



Kassera batterierna på ett miljövänligt sätt när de är förbrukade:

- ◆ Undvik att kortslua batteripolerna.
- ◆ Elda aldrig upp batterier eftersom det kan leda till personskador eller orsaka en explosion.
- ◆ Låt batteriet laddas ur helt och ta sedan ut det ur verktyget.
- ◆ Batterierna kan återvinnas. Packa in batterierna så att polerna inte kan kortsutas. Ta med dem till en auktoriserad verkstad eller en återvinningsstation.

## Tekniska data

GTC1843L H1	
Inspänning	Vdc 18
Tomgångshastighet	min <sup>-1</sup> 1400
Bladlängd	cm 43
Bladavstånd	mm 12
Bladets stopptid	s <1.0
Vikt (utan batteri)	kg 3,2

Batteri BL1518	
Spänning	Vdc 18
Kapacitet	Ah 1,5
Type	Li-Ion

Laddare 905531** TYPE 1	
Inspänning	Vac 230
Utspänning	Vdc 20,5
Utström	mA 200

Bullernivå, uppmätt enligt EN60745:

$L_{pA}$  (bullernivå) 82 dB(A), avvikelse (K) 3 dB(A)

$L_{WA}$  (ljudeffekt) 93 dB(A), avvikelse (K) 3 dB(A)

Totala vibrationsvärden (vektorsumman av tre axlar)  
enligt EN 60745:

Vibrationsvärde ( $a_n$ ) 1,1 m/s<sup>2</sup>,  
osäkerhet (K) 1,5 m/s<sup>2</sup>

## EC-deklaration om överensstämmelse

MASKINDIREKTIV



GTC1843L

Black & Decker deklarerar att dessa produkter, beskrivna under "tekniska data", är tillverkade i överensstämmelse med: 2006/42/EG, EN 60745-1, EN 60745-2-15

2000/14/EG, Häcksax, 1400 min<sup>-1</sup>, Bilaga V

$L_{WA}$  (uppmätt ljudeffekt) 93 dB(A), avvikelse (K) 3 dB(A)

$L_{WA}$  (garanterad ljudeffekt) 95 dB(A), avvikelse (K) 3 dB(A)

Dessa produkter överensstämmer också med direktivet 2004/108/EG.

Om du vill veta mer kontakter du Black & Decker på följande adress eller läser på bruksanvisningens baksida.

Undertecknad är ansvarig för sammanställningen av tekniska data och gör denna försäkran för Black & Deckers räkning.

Kevin Hewitt

Vice-President Global Engineering

Black & Decker Europe, 210 Bath Road, Slough,

Berkshire, SL1 3YD

Storbritannien

19-10-2010

## Reservdelar / reparationer

Reservdelar finns att köpa hos auktoriserade Black & Decker verkstäder, som även ger kostnadsförslag och reparerar våra produkter.

Förteckning över våra auktoriserade verkstäder finns på Internet, vår hemsida [www.blackanddecker.se](http://www.blackanddecker.se) samt [www.2helpU.com](http://www.2helpU.com).



## Garanti

Black & Decker garanterar att produkten är fri från

material- och/eller fabrikationsfel vid leverans till kund.

Garantin gäller utöver konsumentens rättigheter enligt lag och påverkar inte dessa. Garantin gäller inom medlemsstaterna i Europeiska Unionen och i det Europeiska Frihandelsområdet.

Om en Black & Decker-produkt går sönder på grund av material- och/eller fabrikationsfel eller brister i överensstämmelse med specifikationen, inom 24 månader från köpet, åtar sig Black & Decker att reparera eller byta ut produkten med minsta besvär för kunden, förutom om

- ◆ produkten har använts i kommersiellt, yrkesmässigt eller uthyrningssyfte.
- ◆ produkten har utsatts för felaktig användning eller skötsel.
- ◆ produkten har skadats av främmande föremål, ämnen eller genom olyckshändelse.
- ◆ reparation har utförts av någon annan än en auktoriserad Black & Decker-verkstad.

För att garantin ska kunna utnyttjas skall produkten och inköpskvittot lämnas till återförsäljaren eller till en auktoriserad verkstad. För information om närmaste auktoriserade verkstad, kontakta det lokala Black & Decker-kontoret på den adress som anges i bruksanvisningen. En förteckning över alla auktoriserade verkstäder samt servicevillkor finns även tillgängliga på Internet: **www.2helpU.com**.

Besök vår webbplats **www.blackanddecker.se** för att registrera din nya Black & Decker-produkt samt för att erhålla information om nya produkter och specialerbjudanden. Vidare information om märket

Black & Decker och vårt produktsortiment finns på **www.blackanddecker.se**.

## Bruksområde

Din Black & Decker hekksaks er konstruert for å klippe hekker og busker. Verktøyet er tiltenkt kun som konsumentverktøy.

Din Black & Decker batterilader er konstruert for å lade Black & Decker batterier av den typen som leveres med verktøyet.

## Sikkerhetsinstrukser

### Generelle sikkerhetsadvarsler for elektroverktøy



**Advarsel! Les alle sikkerhetsadvarsler og alle instruksjoner.** Hvis ikke alle instruksjonene blir fulgt, kan det medføre elektrisk støt, brann og/eller alvorlige skader.

**Ta vare på alle advarsler og instruksjoner for fremtidig bruk.**

Begrepet "elektroverktøy" i advarslene nedenfor gjelder nettdrevet elektroverktøy (med ledning) eller batteridrevet elektroverktøy (uten ledning).

#### 1. Sikkerhet i arbeidsområdet

- Hold arbeidsområdet rent og godt opplyst.** Rotete eller mørke områder fører lett til ulykker.
- Ikke arbeid med elektroverktøy i eksplosjonsfarlige omgivelser – der det befinner seg brennbare væsker, gass eller støv.** Elektroverktøy forårsaker gnister som kan antenne støv eller gass/damp.
- Hold barn og andre personer unna når du bruker et elektroverktøy.** Hvis du blir forstyrret under arbeidet, kan du miste kontrollen.

#### 2. Elektrisk sikkerhet

- Støpselet til elektroverktøy må passe i stikkontakten. Støpselet må ikke forandres på noen som helst måte. Ikke bruk adapterstøpsler sammen med jordede elektroverktøy.** Bruk av originale støpsler og passende stikkontakter reduserer risikoen for elektrisk støt.
- Unngå kroppskontakt med jordede overflater som rør, radiatorer, komfyrer og kjøleskap.** Det er større fare for elektrisk støt dersom kroppen din er jordat.
- Hold elektroverktøy unna regn eller fuktighet.** Dersom det kommer vann i et elektroverktøy, øker faren for elektrisk støt.
- Unngå uforsvarlig behandling av ledningen. Bruk aldri ledningen til å bære eller trekke elektroverktøyet eller til å trekke ut støpselet. Hold ledningen unna varme, olje, skarpe kanter eller bevegelige deler.** Skadde eller sammenflokede ledninger øker risikoen for elektrisk støt.

**e. Når du bruker et elektroverktøy utendørs, må du bruke en skjøteledning som er egnet for utendørs bruk.** Når du bruker en skjøteledning som er egnet for utendørs bruk, reduseres risikoen for elektrisk støt.

**f. Hvis du ikke kan unngå å bruke et elektroverktøy på et fuktig sted, bruker du strømforsyning som er beskyttet med jordfeilbryter.** Bruk av jordfeilbryter reduserer risikoen for elektrisk støt.

#### 3. Personssikkerhet

**a. Vær oppmerksom, pass på hva du gjør, og vis fornuft når du arbeider med et elektroverktøy. Ikke bruk elektroverktøy når du er trett eller er påvirket av narkotika, alkohol eller medikamenter.** Et øyeblikks uoppmerksomhet under bruk av verktøyet kan føre til alvorlige personskader.

**b. Bruk personlig verneutstyr. Bruk alltid vernebriller.** Bruk av personlig verneutstyr, for eksempel støvmaske, skliskire vernesko, hjelm eller hørselvern som passer til forholdene, reduserer risikoen for personskader.

**c. Forhindre utilsikket start. Kontroller at bryteren står i posisjon "av" før du kobler til strømkilden og/eller batteripakken, og før du tar opp eller bærer verktøyet.** Det kan føre til ulykker hvis du bærer elektroverktøyet med fingrene på bryteren, eller setter strøm på verktøyet når bryteren står på.

**d. Fjern eventuelle innstillingsverktøy eller skruverktøy før du slår på elektroverktøyet.** Et skruverktøy eller en nøkkel som fortsatt er festet til en roterende del av elektroverktøyet, kan føre til personskade.

**e. Ikke strekk deg for langt. Pass på at du alltid har sikkert fotfeste og god balanse.** Da kan du kontrollere elektroverktøyet bedre i uventede situasjoner.

**f. Bruk egnede klær. Ikke bruk løstsittende klær eller smykker. Hold hår, klær og hansker unna bevegelige deler.** Løstsittende tøy, smykker eller langt hår kan bli sittende fast i bevegelige deler.

**g. Hvis det kan monteres støvavsug- og oppsamlingsinnretninger, må du forvise deg om at disse er tilkoblet og brukes på riktig måte.** Bruk av støvoppsamling kan redusere farer i forbindelse med støv.

#### 4. Bruk og behandling av elektroverktøy

**a. Ikke bruk makt på elektroverktøyet. Bruk riktig elektroverktøy for bruksområdet.** Med et passende elektroverktøy arbeider du bedre og sikrere med den farten det er beregnet for.

**b. Ikke bruk elektroverktøyet hvis du ikke kan slå det på og av med bryteren.** Et elektroverktøy som ikke kan kontrolleres med bryteren, er farlig og må repareres.

- c. **Trekk støpselet ut av stikkkontakten og/eller koble fra batteripakken på elektroverktøyet før du utfører innstillinger, bytter tilbehør eller legger elektroverktøyet bort.** Disse forebyggende sikkerhetstiltakene reduserer risikoen for utilsiktet start av elektroverktøyet.
- d. **Elektroverktøy som ikke er i bruk, må oppbevares utilgjengelig for barn. Ikke la verktøyet bli brukt av personer som ikke er fortrolig med det, eller som ikke har lest denne bruksanvisningen.** Elektroverktøy er farlige når de brukes av uerfarne personer.
- e. **Sorg for vedlikehold av elektroverktøy. Undersøk om bevegelige deler er feiljustert eller blokkert, om deler er skadet, og om det er andre forhold som kan påvirke elektroverktøyet funksjon. Hvis elektroverktøyet er skadet, må det repareres før bruk.** Dårlig vedlikeholdt elektroverktøy er årsaken til mange ulykker.
- f. **Hold skjæreverktøy skarpe og rene.** Godt vedlikeholdte skjæreverktøy med skarpe egger setter seg ikke så ofte fast og er lettere å føre.
- g. **Bruk elektroverktøy, tilbehør, bits osv. i henhold til disse instruksjonene. Ta hensyn til arbeidsforholdene og arbeidet som skal utføres.** Bruk av elektroverktøy til andre formål enn det som er angitt, kan føre til farlige situasjoner.
5. **Bruk og stell av batteriverktøyet**
- a. **Gjenoppladningen skal bare skje med den laderen som produsenten har spesifisert.** En lader som er egnet til én type batteripakke, kan føre til brannrisiko når den brukes med en annen batteripakke.
- b. **Bruk elektroverktøy bare med spesifikt angitte batteripakker.** Ubruk av andre batteripakker kan føre til fare for personskader og brann.
- c. **Når batteripakken ikke er i bruk, må du oppbevare den atskilt fra andre metallgjenstander som binders, mynter, nøkler, spiker, skruer eller andre små metallgjenstander som kan opprette en forbindelse fra en terminal til en annen.** Kortslutning av batteriterminalene kan føre til forbrenning eller brann.
- d. **Under uheldige forhold kan det lekke væske fra batteriet. Unngå å komme i kontakt med væsken. Dersom du ved et uhell kommer i kontakt med væsken, må du skylle med vann. Får du batterivæske i øynene, må du i tillegg oppsøke lege.** Væske som lekker fra batteriet, kan forårsake irritasjoner eller forbrenninger.

## 6. Service

- a. **Elektroverktøy skal alltid repareres av kvalifisert personell og kun med originale reservedeler.** Dette sikrer at elektroverktøyet sikkerhet opprettholdes.

### Ytterligere sikkerhetsadvarsler for elektroverktøy



**Advarsel!** Utfyllende sikkerhetsadvarsler for løvsager og gittersager.

- ◆ **Hold elektroverktøyet i de isolerte grepene når du utfører et arbeid der skjæreverktøyet kan komme i kontakt med skjulte ledninger eller sin egen kabel.** Hvis skjæreverktøyet kommer i kontakt med en strømførende ledning, kan det føre til at eksponerte metalldele på elektroverktøyet blir strømførende, og brukeren kan få elektrisk støt.
- ◆ **Hold alle kroppsdeler godt unna kuttebladet. Ikke fjern kuttet materiale eller hold i materiale som skal kuttes mens bladene er i bevegelse. Påse at bryteren er AV når du fjerner fastkilt materiale.** Et øyeblikks uoppmerksomhet under bruk av verktøyet kan føre til alvorlige personskader.
- ◆ **Bær hekkesaksen i håndtaket, med bladet stoppet. Når du transporterer eller oppbevarer hekkesaksen må dekslet over bladet alltid være på.** Korrekt håndtering av hekkesaksen vil redusere muligheten for personskade fra knivbladene.
- ◆ **Hold ledningen unna kutteområdet.** Under bruk kan ledningen skjule seg i buskene, og kan dermed utilsiktet bli kuttet.
- ◆ Denne instruksjonshåndboken forklarer beregnet bruksmåte. Bruk bare tilbehør og utstyr som anbefales i bruksanvisningen. Bruk av annet verktøy eller tilbehør kan medføre risiko for skade på person og/eller utstyr.
- ◆ Ikke bær verktøyet med hendene på den fremste sikkerhetsstrømbryteren eller på strømbryteren, hvis ikke batteriet er fjernet.
- ◆ Hvis du ikke har brukt en hekkesaks før, bør du be om praktisk veiledning fra en erfaren bruker i tillegg til å lese denne bruksanvisningen.
- ◆ Rør aldri knivene så lenge verktøyet er i gang.
- ◆ Prøv aldri å tvinge knivene til å stoppe.
- ◆ Legg ikke verktøyet fra deg før knivene har stoppet fullstendig.
- ◆ Sjekk knivene regelmessig for skade og slitasje. Ikke bruk verktøyet når knivene er skadet.
- ◆ Pass på å unngå harde gjenstander (f.eks. ståltråd, gjerder) når du klipper. Skulle du allikevel komme borti harde gjenstander, slår du verktøyet av med en gang og sjekk om det er blitt skadet.

- ◆ Hvis verktøyet begynner å vibrere på en unormal måte, slår du det av med en gang og sjekker om det er blitt skadet.
- ◆ Hvis verktøyet blokkeres, må du slå det av med en gang. Ta ut batteriet før du prøver å fjerne det som har satt seg fast.
- ◆ Sett beskyttelsen som følger med, over knivene etter bruk. Pass på at sverdet er dekket til under oppbevaring.
- ◆ Forsikre deg alltid om at alle beskyttelser er montert når du bruker verktøyet. Prøv aldri å bruke et ufullstendig verktøy eller et verktøy det er gjort ulovlige endringer på.
- ◆ La aldri barn få bruke verktøyet.
- ◆ Vær oppmerksom på fallende avskjær når du klipper høyt opp på hekker.
- ◆ Hold alltid verktøyet med begge hender og i de tilgjengelige håndtakene.

### Andre personers sikkerhet

- ◆ Det er ikke meningen at dette apparatet skal brukes av personer (inkludert barn) med reduserte fysiske, sansemessige eller mentale evner, eller som mangler erfaring og kunnskap, med mindre de har fått oppfølging eller instruksjon når det gjelder bruken av apparatet, fra en person som er ansvarlig for deres sikkerhet.
- ◆ Barn skal være under tilsyn så du er sikker på at de ikke leker med apparatet.

### Vibrasjon

Vibrasjonsemisjonsverdien som er angitt under tekniske data og samsvarserklæring, er blitt målt i henhold til en standard testmetode som er angitt i EN 60745, og kan brukes til å sammenligne et verktøy med et annet. Den oppgitte vibrasjonsemisjonsverdien kan også brukes til en foreløpig vurdering av eksponering.

**Advarsel!** Vibrasjonsemisjonsverdien under faktisk bruk av elektroverktøyet kan avvike fra den oppgitte verdien avhengig av måten verktøyet blir brukt på. Vibrasjonsnivået kan øke over nivået som er oppgitt.

**Advarsel!** Når man vurderer vibrasjonseksponering for å bestemme sikkerhetstiltak som kreves i 2002/44/EF for å beskytte personer som bruker elektroverktøy regelmessig i arbeidet, skal man når man anslår vibrasjonseksponeringen, ta hensyn til de faktiske bruksforholdene og måten verktøyet blir brukt på, inkludert hensyn til alle deler av brukssyklusen – også de gangene verktøyet slås av og når det går på tomgang, i tillegg til tiden utløseren er inne.

### Symboler

Du finner følgende varselsymboler på verktøyet:



**Advarsel!** Bruker må lese bruksanvisningen for å redusere faren for skader.



Ikke bruk verktøyet under våte forhold eller utsett den for regn.



Bruk alltid sklisikkert fotteppe.



**Advarsel!** Ikke berør kjeden i sponutslippsområdet.



Bruk alltid hjelm og vernebriller.



Du sikrer kontinuerlig sikker bruk ved å kontrollere kjedestrammingen hvert tiende minutt og justere tilbake til klaring på 3 mm etter behov – som beskrevet i denne bruksanvisningen.



Se opp for fallende gjenstander. Hold andre personer på avstand.



Fare for livstruende elektrisk støt. Hold minst 10 m avstand til luftledninger.

### Andre risikoer

Ved bruk av verktøyet kan det oppstå ytterligere risikoer som kanskje ikke er inkludert i sikkerhetsadvarslene som følger med. Disse risikoene kan bli forårsaket av feil bruk, langvarig bruk osv.

Selv om de relevante sikkerhetsbestemmelsene blir fulgt, og sikkerhetstiltakene blir gjennomført, kan visse gjenværende risikoer ikke unngås. Disse omfatter:

- ◆ Personskader som forårsakes av berøring av en roterende/bevegelig del.
- ◆ Personskader som forårsakes av at en del, et blad eller tilbehør endres.
- ◆ Personskader som forårsakes av langvarig bruk av et verktøy. Når du bruker et verktøy i lange perioder, må du sørge for å ta regelmessige pauser.
- ◆ Svekket hørsel.
- ◆ Helsefarer som forårsakes av innånding av støv som dannes når du bruker verktøyet (eksempel: arbeid med tre, spesielt eik, bøk og MDF).

**Ytterligere sikkerhetsinstruksjoner for batterier og ladere****Batterier**

- ◆ Forsøk ikke å åpne uansett hvilket formål du måtte ha.
- ◆ Ikke utsett batteriet for vann.
- ◆ Ikke utsett batteriet for varme.
- ◆ Skal ikke oppbevares på steder der temperaturen kan overskride 40°C.
- ◆ Skal lades bare ved omgivelsestemperaturer mellom 10°C og 40°C.
- ◆ Bruk bare ladere av typen som følger med maskinen/verktøyet. Hvis du bruker feil lader, kan dette føre til et elektrisk støt eller at batteriet overopphetes.
- ◆ Følg instruksjonene i avsnittet "Miljø" når du skal kaste batterier.
- ◆ Ikke skad eller deformer batteripakken ved punktering eller støt, da dette kan føre til risiko for personskade og brann.
- ◆ Ikke lad skadede batterier.
- ◆ Under ekstreme forhold kan det forekomme batterilekkasje. Hvis du oppdager væske på batteriene, tørker du den forsiktig av med en klut. Unngå kontakt med huden.
- ◆ Hvis væsken kommer i kontakt med huden eller øynene, følger du instruksjonene nedenfor.

**Advarsel! Batterivæsken kan føre til personskade eller skade på eiendom. Ved hudkontakt skyller du umiddelbart med vann. Hvis huden blir rød eller irritert eller smerter inntreffer, søk øyeblikkelig medisinsk hjelp. Hvis væsken kommer i kontakt med øynene, skyller du umiddelbart med vann og søker øyeblikkelig medisinsk hjelp.**

**Ladere**

**Advarsel! Laderen er konstruert for en bestemt spenning. Kontroller alltid at nettspenningen er i overensstemmelse med spenningen på typeskiltet.**

**Advarsel! Prøv aldri å skifte ut laderen med et vanlig nettstøpsel.**

- ◆ Black & Decker-laderen skal bare brukes til å lade batteriet i apparatet/verktøyet som laderen kom sammen med. Andre batterier kan sprekke og føre til personskade og materiell skade.
- ◆ Prøv aldri å lade ikke-oppladbare batterier.
- ◆ Hvis strømledningen blir skadet, må den skiftes av produsenten eller et autorisert Black & Decker-servicesenter for å unngå fare.
- ◆ Ikke utsett laderen for vann.
- ◆ Ikke åpne laderen.
- ◆ Ikke stikk gjenstander eller fingre ned i laderen.
- ◆ Laderen må plasseres på et godt ventilert sted under ladning.

**Symboler på laderen**

Følgende symboler finnes på batteriladeren:



Laderen er dobbeltisoleret. Jordet ledning er derfor ikke nødvendig. Kontroller at spenningen til laderen tilsvarer nettspenningen. Du må aldri forsøke å bytte laderen ut med et vanlig støpsel. Hvis strømledningen blir skadet, må den skiftes av produsenten eller et autorisert Black & Decker-servicesenter for å unngå fare.



Laderen er kun beregnet på innendørs bruk.



Les instruksjonshåndboken før bruk.

**Oversikt**

1. Strømbryter
2. Låseknapp
3. Hovedhåndtak
4. Trimmerhode
5. Kniv
6. Bladbeskyttelse
7. Batteri

**Fig. A**

8. Lader
9. Ladeindikator - lading pågår

**Montering**

**Advarsel!** For å forhindre utilsiktet bruk må du forvisse deg om at batteriet er fjernet og at bladbeskyttelsen er på plass på bladene før du utfører følgende operasjoner: Om dette ikke gjøres, kan det føre til alvorlige helseskader.

**Montere og fjerne trimmerhodet (fig. C)****Montering av trimmerhodet**

- ◆ Plasser sporet på utsiden av koplingsenden av håndtaket (3) på linje med tungen på innsiden av koplingsenden av trimmerhodet (4).
- ◆ Skyv trimmerhodet (4) inn på håndtaket (3).
- ◆ Skyv kragen (11) ned og dreii den med klokken, inntil den er helt strammet.

Kontroller forbindelsene med jevne mellomrom for å forvisse deg om at de er godt strammet. Kragen er riktig strammet hvis ingen oransje tråder er synlige.

**Demontering av trimmerhodet**

- ◆ Sett håndtaket (3) på bakken, løsne kragen (11) og ta av trimmerhodet (4).

### Justering av trimmerhodevinkelen (fig. D)

Trimmerhodet dreier 180° og kan låses i 5 stillinger i dette området.

For å ikke få fingre e.l. i beknip, må du bruke hansker og holde enheten som vist.

- ◆ Sett håndtaket (3) på bakken, skyv ned kragen (12) og beveg trimmerhodet (4) etter behov. Pass på at trimmerhodet klikker på plass.

### Montering og fjerning av batteriet (fig. B)

- ◆ Når du skal sette i batteriet (7), holder du det på høyde med holderen på verktøyet. Skyv batteriet inn i holderen, og trykk til det sitter på plass.
- ◆ Når du skal fjerne batteriet, trykker du på de to utløserknappene (10) samtidig, mens du drar batteriet ut av holderen.

## Bruk

**Advarsel! La verktøyet arbeide i sitt eget tempo. Ikke overbelast det.**

### Lade batteriet (figur A)

Batteriet må lades før første bruk og hver gang det ikke lenger gir nok strøm til jobber som tidligere lett ble utført.

Batteriet kan bli varmt under ladning. Dette er normalt og er ikke et tegn på feil.

**Advarsel! Ikke lad batteriet hvis temperaturen i omgivelsene er under 10°C eller over 40°C. Anbefalt ladetemperatur: ca. 24°C.**

**Merknad: Batteriet blir ikke ladet hvis celleteperaturen ligger under ca. 10°C eller over 40°C. La batteriet bli stående i laderen, og batteriet lades automatisk når celleteperaturen tillater det.**

- ◆ Når du skal lade batteriet (7), tar du det ut av verktøyet og setter det inn i laderen (8). Batteriet kan bare settes i laderen på én måte. Ikke bruk makt. Pass på at batteriet sitter helt inne i laderen.
- ◆ Plugg i laderen, slik at den blir tilført nettstrøm.
- ◆ Ladningsindikatoren (9) blinker grønt kontinuerlig (langsomt).

Ladningen er fullført når ladningsindikatoren (9) lyser grønt kontinuerlig. Laderen og batteriet kan være tilkoblet på ubestemt tid så lenge LED-lampen lyser. LED-lampen begynner å blinke grønt (lader) når laderen av og til fyller på batteriet for å holde det fulladet. Ladningsindikatoren (9) lyser så lenge batteriet sitter i laderen som er koblet til nettstrømmen.

- ◆ Lad utladete batterier innen 1 uke. Batterienes levetid vil bli mye mindre hvis de oppbevares utladet.

### Hvis du lar batteriet i laderen

Laderen og batteriet kan være tilkoblet på ubestemt tid så lenge LED-lampen lyser. Laderen holder batteribakken fulladet hele tiden.

### Laderdiagnose

Hvis laderen oppdager at batteriet er svakt eller skadet, blinker ladningsindikatoren (9) hurtig rødt. Gjør følgende:

- ◆ Sett batteriet inn igjen (7).
- ◆ Hvis ladningsindikatoren fortsetter å blinke rødt med rask takt, bruker du et annet batteri til å finne ut om ladningsprosessen fungerer riktig.
- ◆ Hvis den nye batteripakken lades korrekt, er den opprinnelige batteripakken defekt og bør leveres til et servicesenter for resirkulering.
- ◆ Hvis det nye batteriet gir samme indikasjon som det opprinnelige, leverer du inn laderen til et autorisert servicesenter.

**Merknad: Det kan ta så lang tid som 60 minutter å avgjøre om batteriet er defekt. Hvis batteriet er for varmt eller for kaldt, blinker LED-lampen rødt vekslende raskt og langsomt, ett blink ved hver hastighet med gjentakelse.**

### Start og stopp (fig. E)

For din egen sikkerhets skyld er dette verktøyet utstyrt med et dobbelt startesystem. Dette systemet gjør at du ikke kan starte verktøyet utilsiktet.

### Slå på

- ◆ Trykk låseknappen (2) bakover med tommelen samtidig som du klemmer på strømbryteren (1).
- ◆ Slipp låseknappen (2).

### Slå av

- ◆ Slipp strømbryteren (1).

**Advarsel! Prøv aldri å låse en strømbryter i startstilling.**

### Råd for optimalt resultat

- ◆ Start med å klippe toppen av hekken. Sett verktøyet litt på skrå (opptil 15° i relasjon til kuttlinjen) slik at knivspissene peker svakt mot hekken (fig. F1). Dette vil gjøre at knivene klipper mer effektivt. Hold verktøyet i den ønskede vinkelen, og beveg det jevnt langs kuttlinjen. Den dobbeltvirkende kniven lar deg klippe i begge retninger.
- ◆ For å klippe helt rett, strekk en snor langs hekken i den høyden du ønsker. Bruk snoren som en siktelinje, og klipp like over den.
- ◆ For å få flate sider, klipp oppover med vokseretningen. Yngre grener vil falle utover hvis du klipper nedover, og lage grunne områder i hekken (fig. F2).

- ◆ Pass på å ikke komme borti fremmedlegemer. Unngå spesielt harde gjenstander, som ståltråd og gjerder, da disse kan skade knivene.
- ◆ Smør knivene regelmessig med olje.

## Rengjøring, vedlikehold og oppbevaring

Ditt Black & Decker-verktøy er konstruert for å være i drift over en lang periode med et minimum av vedlikehold. Det er avhengig av godt vedlikehold og regelmessig rengjøring for å fungere som det skal til enhver tid. Laderen din behøver ikke annet vedlikehold enn at den rengjøres med jevne mellomrom.

**Advarsel!** Før det utføres noen form for vedlikehold av verktøyet, må batteriet tas ut. Trekk ut kontakten før du rengjør laderen.

### Etter bruk og før lagring

- ◆ Rengjør knivene omhyggelig etter hver gangs bruk. Etter rengjøringen, smør på et tynt lag med lett maskinolje for å unngå at knivene rustet.
- ◆ Rengjør ventileringåpningene på verktøyet regelmessig med en myk børste eller en tørr klut.
- ◆ Rengjør motorhuset regelmessig med en fuktig klut. Ikke bruk slipende eller løsemiddelbaserte rengjøringsmidler.
- ◆ Pass på at alle brytere er fri for rusk før og etter bruk.

### Oppbevaring

Hvis verktøyet ikke skal brukes på flere måneder, bør batteriet helst være koplet til laderen.

Ellers gjør du som følger:

- ◆ Lad batteriet helt opp.
- ◆ Fjern batteriet fra verktøyet.
- ◆ Oppbevar verktøyet og batteriet på et sikkert og tørt sted. Omgivelsestemperaturen ved oppbevaring må alltid holdes innenfor området +10°C til +40°C. La batteriet stå på en plan overflate.
- ◆ Før du bruker verktøyet etter langvarig oppbevaring, må batteriet lades helt opp igjen.

### Problemløsning

Hvis verktøyet ikke fungerer som det skal, kontrollerer du følgende:

Feil	Mulig årsak	Løsning
Verktøyet starter ikke	Batteriet er ikke montert på riktig måte.	Se etter om batteriet er riktig montert.
	Batteriet er utladet.	Monter et (full-) ladet batteri.
	Låsebryteren er ikke aktivert.	Følg startprosedyren.
	Polklemmene er ikke skikkelig strammet.	Kontroller tilkoblingene.

Feil	Mulig årsak	Løsning
Batteriet vil ikke lades.	Batteriet er ikke montert på riktig måte.	Se etter om batteriet er riktig montert.

### Miljø



Separat avfallshåndtering. Dette produktet må ikke kastes sammen med vanlig husholdningsavfall.

Hvis du synes Black & Decker-produktet bør skiftes ut, eller du ikke har bruk for det lenger, må du ikke kaste det sammen med husholdningsavfall. Sørg for separat avfallshåndtering for dette produktet.



Hvis brukte produkter og emballasje leveres atskilt, kan materialer resirkuleres og brukes på nytt. Gjenbruk av resirkulerte materialer bidrar til redusert miljøforurensing og reduserer behovet for råmaterialer.

Det kan være lokale bestemmelser for separat avfallshåndtering for elektriske produkter fra husstander på kommunale avfallsplasser eller hos forhandleren, når du kjøper et nytt produkt.

Black & Decker har en ordning for innsamling og resirkulering av Black & Decker-produkter som ikke skal brukes lenger. Du kan benytte denne tjenesten ved å levere produktet til et hvilket som helst autorisert serviceverksted.

Du kan finne ut hvor nærmeste autoriserte serviceverksted er, ved å kontakte din lokale Black & Decker-avdeling på adressen som er oppgitt i denne håndboken. En oversikt over autoriserte Black & Decker-serviceverksteder og alle opplysninger om ettersalgsservice og kontakter er også tilgjengelig på Internett: [www.2helpU.com](http://www.2helpU.com).

### Batterier



Tenk på miljøet når batteriene er tomme og du skal kaste dem.

- ◆ Ikke kortslett batteriterminalene.
- ◆ Ikke brenn batterier, da dette kan føre til risiko for personskade eller eksplosjon.
- ◆ La batteriet gå helt tomt og fjern det så fra verktøyet.
- ◆ Batterier kan resirkuleres. Legg batteriet i egnet emballasje for å sikre at terminalene ikke kortsletter. Ta dem med til et autorisert serviceverksted eller til en lokal spesialavfallsstasjon.

## Tekniske data

GTC1843L H1	
Spenning	Vdc 18
Slag (ubel.)	min <sup>-1</sup> 1400
Knivlengde	cm 43
Tannavstand	mm 12
Knivbremsetid	s <1.0
Vekt (uten batteri)	kg 3,2

Batteri BL1518	
Spenning	Vdc 18
Kapasitet	Ah 1,5
Batteritype	Li-Ion

Lader 905531** TYPE 1	
Inngangsspenning	Vac 230
Utgangsspenning	Vdc 20,5
Utgangsstrøm	mA 200

Lydnivået, målt i henhold til EN60745:  
 $L_{pA}$  (lydtrykk) 82 dB(A), usikkerhet (K) 3 dB(A)  
 $L_{WA}$  (lydeffekt) 93 dB(A), usikkerhet (K) 3 dB(A)

Totale vibrasjonsverdier (vektorsum fra tre retninger) i henhold til EN 60745:  
 Vibrasjonsemissionsverdi ( $a_r$ ) 1,1 m/s<sup>2</sup>,  
 usikkerhet (K) 1,5 m/s<sup>2</sup>

Samsvarserklæring for EU  
MASKINDIREKTIVET

GTC1843L

Black & Decker erklærer at produktene som beskrives under "tekniske data" oppfyller kravene til: 2006/42/EF, EN 60745-1, EN 60745-2-15

2000/14/EF, Hekksaks, 1400 min<sup>-1</sup>, Bilag V  
 $L_{WA}$  (målt lydeffekt) 93 dB(A), usikkerhet (K) 3 dB(A)  
 $L_{WA}$  (garantert lydeffekt) 95 dB(A), usikkerhet (K) 3 dB(A)

Disse produktene samsvarer også med direktivet 2004/108/EF. Du kan få mer informasjon ved å kontakte Black & Decker på følgende adresse eller på adressen på baksiden av håndboken.

Undertegnede er ansvarlig for utarbeidelsen av den tekniske dokumentasjonen og gir denne erklæringen på vegne av Black & Decker.

Kevin Hewitt  
 Vice-President Global Engineering  
 Black & Decker Europe, 210 Bath Road, Slough,  
 Berkshire, SL1 3YD  
 Storbritannia  
 19-10-2010

## Reservdeler / reparasjoner

Reservdeler kan kjøpes hos autoriserte Black & Decker serviceverksteder, som også gir kostnadsoverslag og reparerer våre produkter.

Oversikt over våre autoriserte serviceverksteder finnes på Internet, vår hjemmeside [www.blackanddecker.no](http://www.blackanddecker.no) samt [www.2helpU.com](http://www.2helpU.com).



## Garanti

Black & Decker er trygg på kvaliteten til sine produkter og tilbyr en enestående garanti. Denne garantierklæringen kommer i tillegg til dine lovbestemte rettigheter, og er ikke i konflikt med disse. Garantien er gyldig i EU- og EFTA-medlemsstatene.

Hvis et Black & Decker-produkt går i stykker på grunn av material- og/eller fabrikkasjonsfeil eller har mangler i forhold til spesifikasjonene, innen 24 måneder fra kjøpet, påtar Black & Decker seg å skifte ut defekte deler, reparere produkter som har vært utsatt for alminnelig slitasje, eller bytte ut slike produkter med minst mulig vanskelighet for kunden, med mindre:

- ◆ produktet har vært brukt i yrkes-/næringsvirksomhet eller til utleie.
- ◆ produktet har vært utsatt for feilaktig bruk eller mislighold.
- ◆ produktet har blitt skadet av fremmede gjenstander eller stoffer eller ved et uhell.
- ◆ reparasjoner er forsøkt utført av andre enn autoriserte serviceverksteder eller Black & Deckers serviceteknikere.

For å ta garantien i bruk skal produktet og kjøpekvitteing leveres til forhandleren eller til et autorisert serviceverksted.

For informasjon om nærmeste autoriserte serviceverksted, kontakt ditt lokale Black & Decker-kontor på den adressen som er angitt i bruksanvisningen. En oversikt over autoriserte serviceverksteder og opplysninger om ettersalgsservice og kontakter er også tilgjengelig på Internett: **[www.2helpU.com](http://www.2helpU.com)**.

Besøk vårt webområde [www.blackanddecker.no](http://www.blackanddecker.no) for å registrere ditt nye Black & Decker-produkt og for å holde deg oppdatert om nye produkter og spesialtilbud. Du finner mer informasjon om Black & Decker og produktutvalget vårt på **[www.blackanddecker.no](http://www.blackanddecker.no)**.

## Anvendelsesområde

Din Black & Decker hækkeklipper er designet til at klippe hække, buske og krat. Værktøjet er kun beregnet til privat brug.

Black & Decker laderen er designet til opladning af samme Black & Decker batterier, som leveres med dette værktøj.

## Sikkerhedsvejledninger

### Generelle sikkerhedsadvarsler for elværktøj



**Advarsel! Læs alle sikkerhedsadvarsler og instruktioner.** Hvis ikke alle instruktioner følges, kan der opstå risiko for elektrisk stød, brand og/eller alvorlige personskader.

### Gem alle advarsler og anvisninger til senere brug.

Begrebet "elværktøj", der benyttes i nedenstående advarsler, henviser til netdrevet elværktøj (med netledning) eller batteridrevet elværktøj (uden netledning).

#### 1. Sikkerhed i arbejdsområdet

- Hold arbejdsområdet er rent og ordentligt oplyst.** Uordentlige og mørke områder øger faren for uheld.
- Brug ikke elværktøj i eksplosive omgivelser, f.eks. hvor der er brændbare væsker, gasser eller støv.** Elværktøj kan forårsage gnister, der kan antænde støv eller dampe.
- Hold børn og andre personer på afstand, når et elværktøj er i brug.** Du kan miste kontrollen over værktøjet, hvis du distraheres.

#### 2. Elektricitet og sikkerhed

- Elværktøjsskik skal passe til stikkontakten.** Stikket må under ingen omstændigheder ændres. Brug ikke adapterstik sammen med jordforbundet elværktøj. Uændrede stik, der passer til stikkontakterne, nedsætter risikoen for elektrisk stød.
- Undgå kropskontakt med jordforbundne overflader som f.eks. rør, radiatorer, komfurer og køleskabe.** Hvis din krop er jordforbundet, øges risikoen for elektrisk stød.
- Elværktøj må ikke udsættes for regn eller fugt.** Indtrængen af vand i elværktøj øger risikoen for elektrisk stød.
- Ødelæg ikke ledningen.** Bær, træk eller afbryd ikke elværktøjet vha. ledningen. Beskyt ledningen mod varme, olie, skarpe kanter eller maskindele, der er i bevægelse. Beskadigede eller sammenfiltrede ledninger øger risikoen for elektrisk stød.
- Hvis elværktøj benyttes i det fri, skal der benyttes en forlængerledning, som er godkendt til udendørs brug.** Brug af en forlængerledning til udendørs brug nedsætter risikoen for elektrisk stød.

- Brug en strømkilde med fejlstrømsbeskyttelse, hvis det er uundgåeligt at anvende elværktøj på fugtige steder.** Med en fejlstrømsbeskyttelse reduceres risikoen for elektrisk stød.

#### 3. Personlig sikkerhed

- Vær opmærksom, hold øje med, hvad du laver, og brug elværktøjet fornuftigt.** Brug ikke et elværktøj, hvis du er træt eller påvirket af stoffer, medicin eller alkohol. Få sekunders uopmærksomhed ved brug af elværktøjet kan føre til alvorlige personskader.
  - Brug personlige værnemidler.** Brug altid beskyttelsesbriller. Brug af værnemidler som f.eks. støvmaske, skridsikket fodtøj, beskyttelseshjelm eller høreværn nedsætter risikoen for personskader, hvis udstyret anvendes korrekt.
  - Sørg for, at værktøjet ikke kan starte utilsigtet.** Kontroller, at afbryderkontakten står på slukket, inden værktøjet tilsluttes strømkilden og/eller batteriet, samles op eller bæres. Bæres elværktøj, mens fingeren er på kontakten, eller tilsluttes det, mens kontakten står på tændt, kan der nemt ske en ulykke.
  - Fjern indstillingsværktøj eller skruenøgle, inden elværktøjet tændes.** Et værktøj eller en nøgle, der efterlades i en roterende del i elværktøjet, kan resultere i personskader.
  - Stræk dig ikke for langt.** Sørg for, at du altid har sikkert fodfæste og balance. Det gør det nemmere at kontrollere elværktøjet, hvis der skulle opstå uventede situationer.
  - Brug egnet arbejdstøj.** Undgå løse beklædningsgenstande eller smykker. Hold hår, tøj og handsker væk fra dele, der bevæger sig. Bevægelige dele kan gribe fat i løstsiddende tøj, smykker eller langt hår.
  - Hvis støvudsugnings- og opsamlingsudstyr kan monteres, er det vigtigt, at dette tilsluttes og benyttes korrekt.** Brug af udstyr til opsamling af støv kan nedsætte risikoen for støvrelateret personskade.
- #### 4. Brug og vedligeholdelse af elværktøj
- Undgå at overbelaste elværktøjet.** Brug altid det rette elværktøj til opgaven. Med det rigtige elværktøj udføres arbejdet lettere og sikrere og i det tempo, som værktøjet er beregnet til.
  - Brug ikke elværktøjet, hvis afbryderen er defekt.** Elværktøj, der ikke kan reguleres med afbryderen, er farligt og skal repareres.

- c. **Træk stikket ud af stikkontakten og/eller batteriet inden indstilling, tilbehørsudskiftning eller opbevaring af elværktøjet.** Disse sikkerhedsforanstaltninger reducerer risikoen for utilsigtet start af værktøjet.
- d. **Opbevar ubenyttet elværktøj uden for børns rækkevidde. Lad aldrig personer, der ikke er fortrolige med elværktøj, eller som ikke har gennemlæst disse instruktioner, benytte maskinen.** Elværktøj er farligt, hvis det benyttes af ukyndige personer.
- e. **Elværktøj bør vedligeholdes omhyggeligt. Kontroller, om bevægelige dele er skæve og ikke sidder fast, og om delene er brækket eller beskadiget, så elværktøjets funktion påvirkes. Få beskadigede dele repareret, inden elværktøjet tages i brug.** Mange uheld skyldes dårligt vedligeholdt elværktøj.
- f. **Sørg for, at skæreværktøjer er skarpe og rene.** Ordentligt vedligeholdt skæreværktøj med skarpe skærekanter sætter sig ikke så hurtigt fast og er nemmere at styre.
- g. **Brug elværktøjet, tilbehøret, indsatsværktøj osv. i overensstemmelse med disse instruktioner under hensyntagen til arbejdsforholdene og arbejdet, der skal udføres med værktøjet.** I tilfælde af anvendelse af elværktøjet til formål, som ligger uden for det fastsatte anvendelsesområde, kan der opstå farlige situationer.
5. **Brug og vedligeholdelse af batteridrevet værktøj**
- a. **Genoplad kun med den lader, som producenten har angivet.** En lader, der er velegnet til én type batteripakke, kan udgøre en brandfare, hvis den bruges til en anden batteripakke.
- b. **Brug kun elværktøj sammen med batteripakker, der er specifikt beregnet hertil.** Brug af andre batteripakker kan medføre personskaade og brand.
- c. **Når batteripakken ikke er i brug, skal den holdes på afstand af andre metalgenstande, f.eks. papirclips, mønter, nøgler, søm, skruer og andre små metalgenstande, som kan skabe forbindelse mellem de to poler.** Kortslutning af batteriet kan forårsage forbrændinger eller brand.
- d. **I visse situationer kan batteriet lække. Undgå kontakt. Skyl med vand i tilfælde af kontakt. Søg læge, hvis væsken kommer i kontakt med øjnene.** Væske, der lækker fra batteriet, kan forårsage irritation eller forbrændinger.
6. **Service**
- a. **Sørg for, at elværktøjet kun repareres af kvalificerede fagfolk, og at der kun benyttes originale reservedele.** Dermed opretholdes elværktøjets sikkerhed.

## Yderligere sikkerhedsadvarsler for elværktøj



**Advarsel!** Supplerende sikkerhedsadvarsler for kortursave og pendulsave.

- ◆ **Hold i el-værktøjets isolerede gribeblader ved udførelse af arbejde, hvor der er risiko for, at tilbehøret kommer i kontakt med skjulte ledninger eller dets egen ledning.** Tilbehør, der kommer i kontakt med en spændingsførende ledning, kan gøre uisolerede dele af elværktøjet strømførende og give brugeren elektrisk stød.
- ◆ **Hold hænder og andre kropsdele væk fra skæreknivene.** Fjern aldrig afskåret materiale og hold ej i materiale, der skal skæres, mens knivene bevæger sig. Sørg for, at kontakten er slukket, mens du fjerner materiale, der har sat sig fast. Få sekunders uopmærksomhed ved brug af el-værktøjet kan føre til alvorlige personskaader.
- ◆ **Bær hækkeklipperen i hånden med standsede knive.** Når du transporterer eller opbevarer hækkeklipperen, skal du altid sætte beskytteren på den. Rigtig håndtering af hækkeklipperen reducerer risikoen for personskaade fra kniven.
- ◆ **Hold kablet på afstand af skæreområdet.** Under brugen kan kablet blive gemt i buskadsset og derfor ved et uheld blive skåret over.
- ◆ Det formål, som dette værktøj er beregnet til, er beskrevet i denne brugsanvisning. Brug af andet tilbehør eller udførelse af en anden opgave med dette værktøj end de her anbefalede kan medføre risiko for personskaader og/eller skader på materiel.
- ◆ Man må ikke bære værktøjet med hænderne på knappen til det forreste håndtag eller på startknappen, med mindre batteriet er blevet fjernet.
- ◆ Hvis man aldrig har benyttet en hækkeklipper før, er det anbefalelsesværdigt at bede om praktisk hjælp fra en øvet bruger samtidig med, at denne brugervejledning skal læses.
- ◆ Man må aldrig berøre knivene, mens værktøjet er i gang.
- ◆ Man må aldrig tvinge knivene til standsning.
- ◆ Man må ikke stille værktøjet fra sig, før knivene er fuldstændigt stoppet.
- ◆ Kontrollér regelmæssigt knivene for beskadigelse og slid. Man må ikke benytte værktøjet, hvis knivene er beskadiget.
- ◆ Man skal undgå hårde genstande (f.eks. metalwirer og stakitter), når man klipper. Skulle man ved et uheld komme til at ramme en sådan genstand, skal man straks slukke for værktøjet og checke det for skader.
- ◆ Hvis værktøjet begynder at vibrere på unormal vis, skal det straks slukkes og checkes for skader.
- ◆ Hvis værktøjet går i stå, skal det straks slukkes. Batteriet skal fjernes, før man forsøger at fjerne obstruerende genstande.

- ◆ Efter brug skal den medfølgende knivbeskytter sættes over knivene. Ved opbevaring af værktøjet skal man sikre sig, at knivene ikke er fremme.
- ◆ Sørg altid for, at alle sikkerhedsanordningerne sidder fast, når værktøjet er i brug.  
Forsøg aldrig at bruge et ukomplet værktøj eller et værktøj, der er blevet ændret på en uautoriseret måde.
- ◆ Lad aldrig børn bruge værktøjet.
- ◆ Vær opmærksom på nedfaldende affald ved klipning af de øverste sider af hækken.
- ◆ Hold altid værktøjet med begge hænder på håndtagene.

### Andres sikkerhed

- ◆ Dette apparat må ikke bruges af personer (herunder børn) med nedsatte fysiske, sensoriske eller mentale evner eller manglende erfaring og viden, med mindre det sker under overvågning, eller de vejledes i brugen af apparatet af en person, der er ansvarlig for deres sikkerhed.
- ◆ Børn skal holdes under opsyn, så det sikres, at de ikke leger med værktøjet.

### Vibration

De angivne værdier for udsendelse af vibration opført under de tekniske data og overensstemmelseserklæringen er målt i henhold til standardtestmetoden anført i EN 60745 og kan bruges til at sammenligne ét værktøj med et andet. Den angivne værdi for udsendelse af vibration kan også bruges som en foreløbig vurdering af eksponeringen.

**Advarsel!** Værdien for udsendelse af vibration ved faktisk brug af elværktøjet kan adskille sig fra den angivne værdi afhængigt af måden, værktøjet anvendes på. Vibrationsniveauet kan overstige det angivne niveau.

**Advarsel!** I vurderingen af eksponeringen til vibration med henblik på fastsættelse af sikkerhedsforanstaltninger forlangt i 2002/44/EC for at beskytte personer, der jævnligt anvender elværktøj i deres arbejde, skal der tages hensyn til de faktiske betingelser under brugen, og måden værktøjet bruges på, herunder alle arbejds cyklusens elementer, f.eks. perioder, hvor værktøjet er slukket og kører i tomgang tillige med startperioderne.

### Advarselssymboler

Følgende advarselssymboler findes på værktøjet:



**Advarsel!** For at mindske risikoen for skader skal brugeren læse instruktionsmanualen.



Brug ikke dette værktøj i våde omgivelser, og udsæt det ikke for regn.



Bær altid skridsikkert fodtøj.



**Advarsel!** Rør ikke kæden ved spånudgangen.



Bær altid hoved- og øjenbeskyttelse.



Kontroller kædestramningen som beskrevet i denne vejledning hvert 10. minut, for at sikre at saven er sikker i brug, og juster til en frigang på 3 mm som påkrævet.



Pas på faldende genstande. Hold eventuelle tilskuere på afstand.



Fare for alvorlig elektricitetsulykke. Hold mindst 10 meters afstand til luftledninger.

### Restrisici

Der kan opstå yderligere restrisici under brugen af værktøjet, som ikke kan medtages i vedlagte sikkerhedsadvarsler. Disse risici kan opstå pga. forkert anvendelse, langvarig brug etc.

Selv ved overholdelse af relevante sikkerhedsforskrifter og anvendelse af sikkerhedsudstyr kan visse restrisici ikke undgås. Disse omfatter:

- ◆ Tilskadekomst forårsaget af berøring af roterende/ bevægelige dele.
- ◆ Tilskadekomst forårsaget af udskiftning af dele, blade eller tilbehør.
- ◆ Tilskadekomst forårsaget af langvarig brug af et værktøj. Husk at holde pause jævnligt ved brug af et værktøj i længere tid.
- ◆ Høreskader.
- ◆ Sundhedsrisici forårsaget af indånding af støv, der genereres ved brug af værktøjet (eksempel: Arbejde med træ, især, eg, bøg og MDF).

### Yderligere sikkerhedsvejledninger for batterier og ladere

#### Batterier

- ◆ Forsøg aldrig at åbne uanset årsag.
- ◆ Batteriet må ikke udsættes for fugt.
- ◆ Batteriet må ikke udsættes for varme.
- ◆ Opbevar ikke batterier på steder, hvor temperaturen kan overstige 40°C.
- ◆ Oplad kun ved omgivelsestemperaturer mellem 10°C og 40°C.

- ◆ Brug kun den oplader, der fulgte med apparatet/værktøjet, til opladning. Brug af den forkerte oplader kan medføre elektrisk stød eller overophedning af batteriet.
- ◆ Følg vejledningen i afsnittet "Miljøbeskyttelse" ved bortskaffelse af batterier.
- ◆ Undgå at beskadige/deformere batteripakken ved at punktere den eller slå på den, da dette kan forårsage risiko for tilskadekomst eller brand.
- ◆ Beskadigede batterier må ikke oplades.
- ◆ Under ekstreme forhold kan der forekomme batterilækage. Hvis du bemærker væske på batterierne, skal du omhyggeligt tørre væsken af med en klud. Undgå kontakt med huden.
- ◆ I tilfælde af kontakt med hud eller øjne, skal du følge nedenstående anvisninger.

**Advarsel! Batterivæsken kan forårsage personskade eller materielle skader. I tilfælde af kontakt med huden skylles straks med vand. Søg læge, hvis der opstår rødme, smerte eller irritation. Skyl straks med rent vand, og søg læge i tilfælde af kontakt med øjnene.**

#### Ladere

**Advarsel! Laderen er udviklet til en specifik spænding. Kontroller altid, at netspændingen svarer til spændingen på typeskiltet.**

**Advarsel! Forsøg aldrig at erstatte laderenheden med et almindeligt netstik.**

- ◆ Brug kun din Black & Decker-lader til at oplade batteriet i det apparat/værktøj, som den blev leveret sammen med. Andre batterier kan eksplodere og forårsage personskade og materiel skade.
- ◆ Forsøg aldrig at oplade ikke-genopladelige batterier.
- ◆ Hvis netledningen beskadiges, skal den udskiftes af producenten eller et autoriseret Black & Decker-værksted, så farlige situationer undgås.
- ◆ Laderen må ikke udsættes for fugt.
- ◆ Laderen må ikke åbnes.
- ◆ Undersøg ikke laderen.
- ◆ Laderen skal anbringes et sted med god udluftning, når det oplades.

#### Symboler på laderen

Følgende symboler findes på opladeren:



Laderen er dobbelt isoleret; jordledning er derfor ikke påkrævet. Kontroller, om laderens spænding svarer til lysnettets spænding. Forsøg aldrig at udskifte laderenheden med et almindeligt netstik. Hvis netledningen beskadiges, skal den udskiftes af producenten eller et autoriseret Black & Decker-værksted, så farlige situationer undgås.



Opladeren er kun beregnet til indendørs brug.



Læs brugsanvisningen, før du tager værktøjet i brug.

#### Oversigt

1. Afbryder
2. Låseknop
3. Hovedhåndtag
4. Trimmerhoved
5. Kniv
6. Knivbeskytter
7. Batteri

#### Fig. A

8. Lader
9. Opladningsindikator - "ladning i gang"

#### Montering

**Advarsel!** For at forhindre at hækkeklipperen sættes i gang ved et uheld, gøres følgende: Kontroller, at batteriet er taget ud, og at knivbeskytteren er anbragt over knivene, før du udfører de næste handlinger. Undlades dette, kan resultatet være en alvorlig lemlæstelse.

#### Montering og aftagning af trimmerhovedet (fig. C)

##### Montering af trimmerhovedet

- ◆ Sæt rillen udvendig på håndtagets (3) tilkoblingsende med tungen på indersiden af trimmerhovedets (4) tilkoblingsende.
- ◆ Skub trimmerhovedet (4) på håndtaget (3).
- ◆ Skyd kraven (11) ned og drej den med uret, til den er strammet helt.

Check tilslutningerne med jævne mellemrum for at kontrollere, at de er strammet sikkert. Kraven er sikret korrekt, når ingen orangefarvede tråde er synlige.

##### Aftagning af trimmerhovedet

- ◆ Sæt håndtaget (3) på jorden, løsn kraven (11) og tag trimmerhovedet (4) af.

##### Justering af trimmerhovedets vinkel (fig. D)

Trimmerhovedet kan drejes 180° og kan låses i 5 positioner inden for dette område.

Bær handsker og hold apparatet fast som vist for ikke at blive klemt.

- ◆ Sæt håndtaget (3) på jorden, skyd kraven (12) ned og bevæg trimmerhovedet (4) som ønsket. Sørg for, at trimmerhovedet klikker på plads.

### Isætning og udtagning af batteriet (fig. B)

- ◆ Sæt batteriet (7) i ved at placere det på linje med værktøjets batteriholder. Dernæst placeres batteriet i holderen og skubbes på plads.
- ◆ Tag batteriet ud ved at trykke på udløserknappen (10) samtidig med, at batteriet tages ud af batteriholderen.

## Anvendelse

**Advarsel! Lad værktøjet arbejde i dets eget tempo. Det må ikke overbelastes.**

### Opladning af batteriet (fig. A)

Batteriet skal oplades inden ibrugtagningen, og når det ikke leverer strøm nok til opgaver, der tidligere kunne udføres ubesværet.

Batteriet kan blive varmt under opladningen. Det er normalt og ikke tegn på problemer.

**Advarsel! Batteriet må ikke oplades i omgivelsestemperaturer under 10°C eller over 40°C. Anbefalet ladetemperatur: Ca. 24°C.**

**Bemærk: Opladeren oplader ikke batteriet, hvis dets temperatur er under ca. 10°C eller over 40°C. Batteriet bør blive siddende i opladeren, som automatisk begynder opladningen, når batteriet opvarmes/afkøles.**

- ◆ Tag batteriet (7) ud og sæt det i opladeren (8), når det skal oplades. Batteriet passer kun i opladeren på én måde. Tving det ikke i. Kontroller, at batteriet er sat helt i opladeren.
  - ◆ Tilslut laderen og tænd på stikkontakten.
  - ◆ Ladeindikatoren (9) blinker konstant grønt (langsomt).
- Opladningen er afsluttet, når ladeindikatoren (9) lyser konstant grønt. Du kan lade batteriet sidde i laderen med tændt lysdiode. LED'en begynder at blinke grønt (opladning), når laderen en gang imellem efterfylder batteriet. Ladeindikatoren (9) lyser så længe batteriet er tilsluttet til laderen, der er sat i stikkontakten.
- ◆ Afladene batterier bør oplades inden for 1 uge. Batteriets levetid reduceres kraftigt, hvis batteriet opbevares i afladet tilstand.

### Forlader batteriet i opladeren

Du kan lade batteriet sidde i laderen med tændt lysdiode. Laderen holder strømheden fuldt opladet.

### Fejlfinding ved laderen

Ladeindikatoren (9) blinker hurtigt rødt, hvis laderen registrerer et svagt eller beskadiget batteri. Fortsæt som følger:

- ◆ Sæt batteriet (7) i igen.
- ◆ Hvis ladeindikatoren fortsætter med at blinke hurtigt rødt, skal du bruge et andet batteri til at kontrollere, om opladningen sker korrekt.
- ◆ Hvis det andet batteri lades korrekt, er det oprindelige batteri defekt og skal indleveres til genbrug på et servicecenter.

- ◆ Hvis det andet batteri giver samme fejlvisning som det oprindelige, skal laderen testes på et autoriseret servicecenter.

**Bemærk: Det kan tage op til 60 minutter at konstatere, at batteriet er defekt. Hvis batteriet er for varmt eller koldt, blinker lysdioden rødt skiftevis hurtigt og langsomt med et blink ved hver frekvens, hvorefter sekvensen gentages.**

### Start og stop (fig. E)

For brugerens sikkerhed er dette værktøj udstyret med et dobbelt kontaktsystem. Dette system forhindrer dig i at starte værktøjet uforvarende.

### Tænding

- ◆ Tryk låseknappen (2) tilbage med tommelfingeren og tryk samtidig på afbryderknappen (1).
- ◆ Låseknappen (2) slippes.

### Slukning

- ◆ Løsn afbryderknappen (1).

Forsøg aldrig at fastlåse en knap, mens maskinen er tændt.

### Gode råd til optimalt brug

- ◆ Start med at klippe toppen af hækken. Vip værktøjet let (op til 15° i forhold til klippelinien) således, at knivspidserne peger let imod hækken (fig. F1). Dette gør, at knivene klipper mere effektivt. Hold værktøjet i den ønskede vinkel, og bevæg det roligt langs med klippelinien. De dobbeltsidede knive gør, at man kan klippe i begge retninger.
- ◆ For at opnå en meget lige hæk kan man klippe i begge retninger.
- ◆ For at opnå en meget lige hæk kan man klippe i begge retninger.
- ◆ For at opnå flade sider skal man klippe opad i vækstretningen. Yngre grene vil stikke ud, hvis man fører kniven nedad, og det vil medføre ujævne mønstre i hækken (fig. F2).
- ◆ Sørg for at undgå fremmedlegemer. Undgå især hårde genstande, f.eks. metalwirer og stakitter, idet de kan beskadige knivene.
- ◆ Smør knivene regelmæssigt.

### Hvornår skal hækken klippes?

- ◆ Generelt kan hække og buske med årsskud klippes i juni og oktober.
- ◆ Stedsegrøne planter kan klippes i april og august.
- ◆ Hurtigt voksende planter kan klippes hver 6. uge fra maj og fremover.

## Rengøring, vedligeholdelse og opbevaring

Black & Decker værktøjet er designet til at være i drift i lang tid og med minimal vedligeholdelse. Fortsæt tilfredsstillende anvendelse afhængig af, at værktøjet behandles korrekt og gøres rent med regelmæssige mellemrum. Opladeren kræver ingen anden vedligeholdelse end regelmæssig rengøring.

Før udførelse af vedligeholdelsesopgaver på værktøjet skal batteriet fjernes. Tag opladeren ud af stikkontakten før rengøring.

### Efter brugen og inden opbevaring

- ◆ Efter brug skal knivene rengøres grundigt. Efter rengøring skal man smøre knivene med maskinolie for at undgå, at de rustner.
- ◆ Gør med regelmæssige mellemrum værktøjets ventilationshuller rene med en blød børste eller en tør klud.
- ◆ Man skal regelmæssigt gøre motorhuset rent med en fugtig klud. Man må ikke bruge slibemidler eller opløsningsmidler.
- ◆ Kontroller, at alle kontakter er fri for rester før og efter brug.

### Opbevaring

Hvis værktøjet ikke skal bruges i flere måneder, er det bedst at lade batteriet være tilsluttet opladeren.

Gør i modsat fald følgende:

- ◆ Oplad batteriet fuldstændigt.
- ◆ Fjern batteriet fra værktøjet.
- ◆ Opbevar værktøjet og batteriet tørt og sikkert. Opbevaringstemperaturen skal altid være mellem +10°C og +40°C. Sæt batteriet på en plan flade.
- ◆ Før værktøjet tages i brug igen efter længere tids opbevaring, skal batteriet oplades fuldt igen.

### Fejlfinding

Hvis værktøjet ikke fungerer korrekt, skal følgende undersøges.

Fejl	Mulig årsag	Afhjælpning
Værktøjet starter ikke.	Batteriet er ikke korrekt installeret.	Kontroller, at batteriet er installeret korrekt.
	Batteriet er afladt.	Sæt et (fuldt) opladet batteri i.
	Låseknappen er ikke aktiveret.	lagtag startproceduren.
	Polttilslutningerne er ikke fastspændt korrekt.	Kontroller tilslutningerne.
Batteriet kan ikke lades op.	Batteriet er ikke korrekt installeret.	Kontroller, at batteriet er installeret korrekt.

### Miljøbeskyttelse



Separat bortskaffelse. Dette produkt må ikke bortskaffes sammen med almindeligt husholdningsaffald.

Når dit Black & Decker-produkt en dag er udtjent, eller du ikke længere har brug for det, må du ikke smide det ud sammen med det almindelige affald. Produktet skal bortskaffes separat.



Ved separat bortskaffelse af brugte produkter og emballage bliver der mulighed for at genanvende forskellige materialer. Genanvendelse af materialer medvirker til at forebygge miljøforurening og mindsker behovet for råstoffer.

Lokal lovgivning kan kræve separat indsamling af elektriske husholdningsapparater på kommunale affaldsdepoter eller af den detailhandlende ved køb af et nyt produkt.

Black & Decker sørger for at indsamle og genanvende Black & Decker-produkter, når disse ikke længere kan bruges. Hvis du vil benytte dig af denne service, skal du returnere produktet til et autoriseret værksted, der indsamler produkterne for os.

Kontakt det lokale Black & Decker-kontor på den adresse, der er angivet i denne vejledning, for at få oplysninger om nærmeste autoriserede værksted. En liste over alle autoriserede Black & Decker-serviceværksteder samt servicevilkår og kontaktpersoner er tilgængelig på internettet på adressen: [www.2helpU.com](http://www.2helpU.com).

### Batterier



Når batterier er udtjente, skal de bortskaffes under passende hensyntagen til miljøet:

- ◆ Batteripolerne må ikke kortsluttes.
- ◆ Batteriet/batterierne må ikke kastes på ild, da dette kan medføre personskaade eller eksplosion.
- ◆ Aflad batteriet helt, og tag det derefter ud af værktøjet.
- ◆ Batterier kan genbruges. Anbring batteriet/batterierne i en egnet emballage, så polerne ikke kortsluttes. Aflever dem på et autoriseret værksted eller en lokal genbrugsstation.



## Tekniske data

GTC1843L H1	
Spænding	Vdc 18
Knivstød (uden belastning)	min <sup>-1</sup> 1400
Knivlængde	cm 43
Knivafstand	mm 12
Bremsetid	s <1.0
Vægt (uden batteri)	kg 3,2

Batteri BL1518	
Spænding	Vdc 18
Kapacitet	Ah 1,5
Batteritype	Li-Ion

Lader 905531** TYPE 1	
Indgangsspænding	Vac 230
Udgangsspænding	Vdc 20,5
Udgangsstrømstyrke	mA 200

Garanteret lydtrykniveau, målt i overensstemmelse med EN60745:  
 $L_{pA}$  (lydtryk) 82 dB(A), usikkerhed (K) 3 dB(A)  
 $L_{WA}$  (Lydeffekt) 93 dB(A), usikkerhed (K) 3 dB(A)

Samlede vibrationsværdier (triaksial vektorsum) i henhold til EN 60745):  
 Vibrationsværdi ( $a_n$ ) 1,1 m/s<sup>2</sup>,  
 usikkerhed (K) 1,5 m/s<sup>2</sup>

## EU overensstemmelseserklæring

MASKINDIREKTIV



GTC1843L

Black & Decker erklærer, at disse produkter, beskrevet under "tekniske data", overholder følgende:

2006/42/EF, EN 60745-1, EN 60745-2-15

2000/14/EF, Hækkeklipper, 1400 min<sup>-1</sup>, Annex V  
 $L_{WA}$  (Lydeffekt) 93 dB(A), usikkerhed (K) 3 dB(A)  
 $L_{WA}$  (garanteret) 95 dB(A), usikkerhed (K) 3 dB(A)

Disse produkter er også i overensstemmelse med direktiv 2004/108/EF.

Kontakt Black & Decker på nedenstående adresse, eller se bagsiden af vejledningen.

Undertegnede er ansvarlig for udarbejdelsen af de tekniske data og fremsætter denne erklæring på vegne af Black & Decker.

Kevin Hewitt  
 Vice-President Global Engineering  
 Black & Decker Europe, 210 Bath Road, Slough,  
 Berkshire, SL1 3YD  
 Storbritannien  
 19-10-2010

## Reserve dele / reparationer

Reserve dele kan købes hos autoriserede Black & Decker serviceværksteder, som giver forslag til omkostninger og reparerer vore produkter.

Oversigt over vore autoriserede værksteder findes på internettet på vor hjemmeside [www.blackanddecker.dk](http://www.blackanddecker.dk) samt [www.2helpU.com](http://www.2helpU.com).



## Garanti

Black & Decker garanterer, at produktet er frit for materielle skader og/eller fabrikationsfejl ved levering til kunden. Garantien er et tillæg til forbrugerens lovsikrede rettigheder og påvirker ikke disse. Garantien gælder inden for medlemsstaterne af den Europæiske Union og i det Europæiske Frihandelsområde.

Hvis et Black & Decker-produkt går i stykker på grund af materiel skade og/eller fabrikationsfejl eller på anden måde ikke fungerer i overensstemmelse med specifikationen inden for 24 måneder fra købsdatoen, påtager Black & Decker sig at reparere eller ombytte produktet med mindst mulig ulempe for kunden. Garantien gælder ikke for fejl og mangler, der er sket i forbindelse med:

- ◆ normal slitage
- ◆ uheldige følger efter unormal anvendelse af værktøjet
- ◆ overbelastning, hærværk eller overdrevent intensiv brug af værktøjet eller ulykkehændelse
- ◆ reparationer udført af nogen anden end et autoriseret Black & Decker-værksted.

For at udnytte garantien skal produktet og købskvitteringen indleveres til forhandleren eller til et autoriseret værksted.

Kontakt det lokale Black & Decker-kontor på den adresse, der er opgivet i denne vejledning, for at få oplysninger om det nærmeste autoriserede værksted. En liste over alle autoriserede Black & Decker-serviceværksteder samt servicevilkår er tilgængelig på internettet på adressen:

**[www.2helpU.com](http://www.2helpU.com)**.

Gå venligst ind på vores website [www.blackanddecker.dk](http://www.blackanddecker.dk) for at registrere dit nye produkt og for at blive holdt ajour om nye produkter og specialtilbud. Der findes yderligere oplysninger om mærket Black & Decker og vores produktsortiment på adressen **[www.blackanddecker.dk](http://www.blackanddecker.dk)**.

## Käyttötarkoitus

Black & Deckerin pensasleikkuri on suunniteltu pensasaitojen ja pensaiden leikkaamiseen. Kone on tarkoitettu kotikäyttöön.

Black & Deckerin laturi on suunniteltu tämän työkalun mukana toimitetun Black & Decker -akun lataamiseen.

## Turvallisuusohjeet

### Sähkötyökalujen yleiset turvavaroitukset



**Varoitus! Lue kaikki turvavaroitukset ja ohjeet.**

Ohjeiden noudattamisen laiminlyönti saattaa johtaa sähköiskuun, tulipaloon ja/tai vakavaan loukkaantumiseen.

**Säästä kaikki varoitukset ja ohjeet tulevaa käyttöä varten.** Ohjeissa käytetty käsite ”sähkötyökalu” tarkoittaa verkkokäyttöisiä sähkötyökaluja (verkkojohdolla varustettuja) ja akkukäyttöisiä sähkötyökaluja (ilman verkkojohtoa).

#### 1. Työalueen turvallisuus

- Pidä työalue puhtaana ja hyvin valaistuna.** Työpaikan epäjärjestys tai valaisemattomat työalueet voivat johtaa tapaturmiin.
- Älä käytä sähkötyökalua räjähdyshaluissa ympäristössä, jossa on palavaa nestettä, kaasua tai pölyä.** Sähkötyökalu saa aikaan kipinöitä, jotka saattavat sytyttää pölyn tai höyryt.
- Pidä lapset ja sivulliset loitolla sähkötyökalua käyttäessäsi.** Voit menettää laitteen hallinnan, jos huomioisi suuntautuu muualle.

#### 2. Sähköturvallisuus

- Sähkötyökalun pistokkeen on sovittava pistorasiaan. Pistoketta ei saa muuttaa millään tavalla. Älä käytä mitään pistorasiosovittimia maadoitettujen sähkötyökalujen kanssa.** Alkuperäiset pistokkeet ja niille sopivat pistorasiat vähentävät sähköiskun vaaraa.
- Vältä koskettamasta maadoitettuja pintoja, kuten putkia, pattereita, liesiä tai jääkaappeja.** Sähköiskun vaara kasvaa, jos kehosi on maadoitettu.
- Älä altista sähkötyökalua sateelle tai kosteudelle.** Veden tunkeutuminen sähkötyökalun sisään lisää sähköiskun riskiä.
- Älä käsittele virtajohtoa kovakouraisesti. Älä käytä sitä sähkötyökalun kantamiseen, vetämiseen tai pistokkeen irrottamiseen pistorasiasta. Pidä johto loitolla kuumuudesta, öljystä, terävistä reunoista ja liikkuvista osista.** Vahingoittuneet tai sotkeutuneet johdot lisäävät sähköiskun vaaraa.

**e. Käyttäessäsi sähkötyökalua ulkona käytä ainoastaan ulkokäyttöön soveltuvaa jatkojohtoa.** Ulkokäyttöön soveltuva jatkojohdon käyttö pienentää sähköiskun vaaraa.

**f. Jos sähkötyökalua on välttämättä käytettävä kosteassa paikassa, käytä jännösvirtalaitteella (RCD) suojattua virtalähdettä.** Jännösvirtalaitteen käyttö vähentää sähköiskun vaaraa.

#### 3. Henkilöturvallisuus

- Keskity työskentelyysi ja noudata tervettä järkeä käyttäessäsi sähkötyökaluja. Älä käytä sähkötyökalua, jos olet väsynyt tai huumeiden, alkoholin tai lääkkeiden vaikutuksen alaisena.** Hetken tarkkaamattomuus sähkötyökalua käytettäessä saattaa johtaa vakavaan loukkaantumiseen.
  - Käytä henkilökohtaisia suojarusteita. Käytä aina suojalaseja.** Suojarusteet, kuten hengityssuojain, luistamattomat turvajalkineet, kypärä ja kuulosuojaimet, pienentävät loukkaantumisriskiä, jos niitä käytetään tilanteen mukaan oikein.
  - Vältä tahatonta käynnistämistä. Varmista, että kytkin on OFF-asennossa, ennen kuin liität laitteen virtalähteeseen ja/tai akkuun, nosta laitteen tai kannat sitä.** Onnettomuusvaara lisääntyy, jos kannat sähkötyökalua sormi käyttökytkimellä tai kytket työkalun virtajohtoon pistorasiaan, kun käyttökytkin on päällä.
  - Irrota mahdollinen säätö- tai kiintoavain, ennen kuin käynnistät sahan.** Sahan pyörivään osaan kiinni jäänyt avain voi johtaa loukkaantumiseen.
  - Älä kurkota liian kauas. Seiso aina tukevasti ja tasapainossa.** Tällöin voit paremmin hallita sähkötyökalua yllättävissä tilanteissa.
  - Käytä tarkoitukseen soveltuvia vaatteita. Älä käytä löysiä työvaatteita tai koruja. Pidä hiukset, vaatteet ja käsineet loitolla liikkuvista osista.** Väljät vaatteet, korut ja pitkät hiukset voivat takertua liikkuviin osiin.
  - Jos laitteeseen voi kiinnittää pölynkerääjän tai -imurin, tarkista, että se on paikallaan ja että se toimii kunnolla.** Pölynimurin käyttö voi vähentää pölyn aiheuttamia vaaroja.
- #### 4. Sähkötyökalujen käyttö ja hoito
- Älä ylikuormita sähkötyökalua. Käytä kyseiseen työhön tarkoitettua sähkötyökalua.** Sopivaa sähkötyökalua käyttäen työskentelet paremmin ja turvallisemmin tehoalueella, jolle sähkötyökalu on tarkoitettu.

- b. **Älä käytä sähkötyökalua, jota ei voida käynnistää ja pysäyttää virtakytkimestä.** Jos sähkötyökalua ei voi käynnistää ja pysäyttää virtakytkimellä, se on vaarallinen ja se täytyy korjata.
- c. **Irrota pistotulppa pistorasiasta ja/tai akku laitteesta, ennen kuin suoritat säätöjä, vaihdat tarvikkeita tai siirrä sähkötyökalun varastoitavaksi.** Nämä turvatoimenpiteet pienentävät sähkötyökalun tahattoman käynnistämisen riskiä.
- d. **Säilytä sähkötyökalut poissa lasten ulottuvilta, kun niitä ei käytetä. Älä anna sähkötyökalua sellaisen henkilön käyttöön, joka ei tunne sitä tai joka ei ole tutustunut tähän käyttöohjeeseen.** Sähkötyökalut ovat vaarallisia kokemattoman käyttäjän käsissä.
- e. **Hoida sähkötyökalusi huolella. Tarkista, että liikkuvat osat toimivat moitteettomasti ja etteivät ne ole puristuksessa. Tarkista myös, ettei työkalussa ei ole murtuneita tai vahingoittuneita osia, jotka saattaisivat vaikuttaa haitallisesti sen toimintaan. Korjauta mahdolliset viat ennen käyttöönottoa.** Moni tapaturma aiheutuu huonosti huolletuista laitteista.
- f. **Pidä leikkausterät terävinä ja puhtaina.** Huolellisesti hoidetut leikkausterät, joiden leikkausreunat ovat teräviä, eivät tartu helposti kiinni, ja niitä on helpompi hallita.
- g. **Käytä sähkötyökaluja, tarvikkeita, vaihtotyökaluja jne. näiden ohjeiden mukaisesti. Ota tällöin huomioon työolosuhteet ja suoritettava toimenpide.** Sähkötyökalun käyttö muuhun kuin sille määrättyyn tarkoitukseen saattaa johtaa vaarallisiin tilanteisiin.
5. **Akkukäyttöisten työkalujen käyttö ja hoito**
- a. **Lataa akku vain valmistajan määrittelemällä laturilla.** Laturi, joka soveltuu määrätyn tyyppiselle akulle, saattaa aiheuttaa tulipalon vaaran erilaista akkua ladattaessa.
- b. **Käytä sähkötyökalussa ainoastaan kyseiseen sähkötyökaluun tarkoitettua akkua.** UMuun tyyppisen akun käyttö saattaa johtaa loukkaantumiseen ja tulipaloon.
- c. **Pidä irrallinen akku loitolla metalliesineistä, kuten paperiliittimistä, kolikoista, avaimista, nauloista, ruuveista tai muista pienistä metalliesineistä, jotka voivat aiheuttaa oikosulun akun navoissa.** Akun napojen välinen oikosulku saattaa aiheuttaa palovamvoja tai tulipalon.
- d. **Väärin käytetystä akusta voi vuotaa nestettä. Älä kosketa sitä. Jos nestettä pääsee vahingossa iholle, huuhtele kosketuskohta vedellä. Jos nestettä pääsee silmiin, tarvitaan lisäksi lääkin apua.** Akusta vuotava neste saattaa aiheuttaa ärsytystä ja palovamvoja.

## 6. Huolto

- a. **Anna koulutettujen ja ammattitaitoisten henkilöiden korjata sähkötyökalusi ja hyväksy korjauksiin vain alkuperäisiä varaosia.** Täten varmistat, että sähkötyökalu säilyy turvallisena.

## Sähkötyökalujen lisäturvavaroitukset



**Varoitus!** Listurvallisuusohjeet lehtisahoille ja kehysahoille.

- ◆ **Pitele sähkötyökalua eristetyistä tartuntapinnoista, kun teet työtä, jossa työkalu voi joutua kosketuksiin piilossa olevien sähköjohtojen tai oman virtajohtonsa kanssa.** Jännitteisen johtimen sisältävä leikkausväline voi tehdä myös sähkötyökalun paljaista metalliosista jännitteisiä ja aiheuttaa käyttäjälle sähköiskun.
- ◆ **Pidä kaikki vartalosi osat etäällä leikkausterästä. Älä poista leikattavaa materiaalia tai pidä leikattavasta materiaalista kiinni silloin, kun leikkausterät liikkuvat. Varmista, että kone on kytketty pois päältä kiinni juuttunutta materiaalia poistaessa.** Hetken tarkkaamattomuus sähkötyökalua käytettäessä saattaa johtaa vakavaan loukkaantumiseen.
- ◆ **Kuljeta pensasleikkuria sen kahvasta leikkausterän ollessa pysähtynyt. Aseta pensasleikkurin teräsuojus paikoilleen aina sen varastoinnin ja kuljetuksen ajaksi.** Pensasleikkurin virheetön käsittely vähentää leikkausterien muodostamaa henkilövahinkovaaraa.
- ◆ **Pidä johto pois leikkausalueelta.** Käytön aikana johto voi piiloutua pensasiin ja kahva voidaan vahingossa leikata.
- ◆ **Käyttö, johon työkalu on tarkoitettu, on kuvattu tässä käyttöohjeessa. Käytä vain käyttöohjeessa ja tuotekuvastossa suositeltuja tarvikkeita ja lisälaitteita.** Ohjeesta poikkeava käyttö voi aiheuttaa onnettomuuden ja/tai aineellisia vahinkoja.
- ◆ **Älä kanna konetta kädet etumaisella turvavirrankatkaisijalla tai virrankatkaisijalla, ellei akkua ole poistettu.**
- ◆ **Ellet ole käyttänyt pensasleikkuria aikaisemmin suosittelemme, että pyydät käytännön neuvoja tottuneelta käyttäjältä sekä luet käyttöohjeen tarkasti.**
- ◆ **Älä koskaan kosketa terää, kun kone on käynnissä.**
- ◆ **Älä koskaan pakota teriä pysähtymään.**
- ◆ **Älä aseta konetta maahan ennen kuin terät ovat täysin pysähtyneet.**
- ◆ **Tarkista säännöllisesti, ovatko terät vaurioituneet tai kuluneet. Älä käytä konetta, mikäli terät ovat vialliset.**
- ◆ **Varo kovia esineitä (esim. metallilankaa, kaiteita) leikatessasi. Mikäli osut vahingossa tällaiseen esineeseen, sammuta kone välittömästi ja tarkista mahdolliset vahingot.**

- ◆ Mikäli kone alkaa täristä epätavallisesti, sammuta se välittömästi ja tarkista mahdolliset vahingot.
- ◆ Mikäli kone jumiuuu, pysäytä se välittömästi. Poista akku ennen kuin yrität poistaa tukkeutumia.
- ◆ Aseta koneeseen kuuluva teränsuojus paikoilleen käytön jälkeen. Säilytä konetta siten, että terä ei ole näkyvillä.
- ◆ Varmista aina, että kaikki suojat ovat paikallaan konetta käytettäessä. Älä koskaan käytä konetta, jonka kaikki osat eivät ole oikein paikallaan tai johon on tehty muutoksia jonkun muun kuin valtuutetun huoltoliikkeen toimesta.
- ◆ Älä koskaan anna lasten käyttää konetta.
- ◆ Varo tippuvaa roskaa, kun leikkaat pensasaidan korkeampaa puolta.
- ◆ Pidä aina kiinni koneen kahvoista molemmin käsin.

### Muiden turvallisuus

- ◆ Tätä laitetta ei ole tarkoitettu sellaisten henkilöiden käyttöön, joilla on fyysisiä tai älyllisiä rajoitteita tai aistirajoitteita, eikä laitteen toimintaan perehtymättömien henkilöiden käyttöön (lapset mukaan luettuina), paitsi valvonnan alaisina tai jos he ovat saaneet laitteen käyttöön liittyvää opastusta heidän turvallisuudestaan vastaavalta henkilöltä.
- ◆ Lapsia on valvottava ja heitä on estettävä leikkimästä laitteella.

### Tärinä

Teknisissä tiedoissa ja yhdenmukaisuusilmoituksessa ilmoitettu tärinäpäästöarvo on mitattu EN 60745 -standardin testausmenetelmän mukaisesti, ja sen avulla voidaan vertailla työkaluja keskenään. Ilmoitettua tärinäpäästöarvoa voidaan käyttää myös altistumisen alustavaan arviointiin.

**Varoitus!** Sähkötyökalun käytön aikana mitattu todellinen tärinäpäästöarvo voi poiketa ilmoitetusta tärinäpäästöarvosta työkalun käyttötavan mukaan. Tärinätaso voi olla ilmoitettua tasoa suurempi.

**Varoitus!** Kun tärinälle altistumista arvioidaan sen määrittämiseksi, mitä direktiivin 2002/44/EY mukaisia turvatoimenpiteitä vaaditaan sähkötyökaluja säännöllisesti käyttävien henkilöiden suojelemiseksi, tärinälle altistumisen arvioinnissa on otettava huomioon todelliset käyttöolosuhteet ja työkalun käyttötavat. Todellisen käytön lisäksi on kiinnitettävä huomiota myös siihen, milloin työkalu on sammutettuna tai se käy tyhjänä.

### Varoitusmerkit

Koneessa on seuraavat varoitusmerkit:



**Varoitus!** Loukkaantumisen vaaran ehkäisemiseksi käyttäjän on luettava käyttöohjeet.



Älä käytä työkalua märissä olosuhteissa tai altista sitä sateelle.



Käytä aina liukuesteturvajalkineita.



**Varoitus!** Älä pidä kättä lastujen poistoaukon kohdalla.



Käytä aina suojakypärää ja suojalaseja.



Varmista jatkuva turvallinen toiminta tarkistamalla ketjun kireys tässä käyttöohjeessa kuvatulla tavalla aina 10 käyttöminuutin jälkeen. Säädä ketju takaisin 3 mm:n välykseen tarpeen vaatiessa.



Varo kaatuvia esineitä. Pidä sivulliset loitolla.



Sähköiskun vaara. Pysytte vähintään 10 m:n päässä ilmajohdoista.

### Jäännösriskit

Jäännösriskit ovat mahdollisia, jos käytät työkalua muulla kuin turvavaroituksissa mainitulla tavalla. Nämä riskit voivat liittyä muun muassa virheelliseen tai pitkäaikaiseen käyttöön.

Tiettyjä jäännösriskejä ei voi välttää, vaikka noudatet kaikki turvamaarayksii ja käytät turvalaitteita. Näihin kuuluvat muun muassa

- ◆ pyörivien tai liikkuvien osien koskettamisen aiheuttamat vahingot
- ◆ osia, teriä tai lisävarusteita vaihdettaessa aiheutuneet vahingot
- ◆ työkalun pitkäaikaisen käytön aiheuttamat vahingot Kun käytät työkalua pitkään, varmista, että pidät säännöllisesti taukoja.
- ◆ kuulovauriot
- ◆ työkalua käytettäessä (esimerkiksi puuta, erityisesti tammea, pyökkiä ja MDF-levyjä, käsiteltäessä) syntyneen pölyn sisäänhengityksen aiheuttamat terveysriskit.

## Akkuja ja laturia koskevat turvaohjeet

### Akku

- ◆ Älä koskaan yritä avata akkua.
- ◆ Älä anna akun kastua.
- ◆ Älä altista akkua kuumuudelle.
- ◆ Älä säilytä akkua tiloissa, joissa lämpötila voi nousta yli 40°C:n.
- ◆ Lataa akku paikassa, jonka lämpötila on vähintään 10°C ja enintään 40°C.
- ◆ Käytä akun lataamiseen vain laitteen mukana toimitettua laturia. Väärän tyyppinen laturi voi aiheuttaa sähköiskun tai akun ylikuumentumisen.
- ◆ Noudata akkujen hävittämisessä kohdassa Ympäristönsuojelu esitettyjä ohjeita.
- ◆ Suojaa akkua vahingoittumiselta niin, ettei sen kotelo rikkoudu eikä siihen kohdistu iskuja, sillä muutoin voi syntyä henkilövahinkojen ja tulipalon vaara.
- ◆ Älä lataa viallisia akkuja.
- ◆ Vaativissa oloissa voi ilmetä akkuvuotoja. Jos havaitset akkujen pinnalla nestettä, pyyhi se huolellisesti pois. Vältä ihokosketusta.
- ◆ Jos nestettä joutuu silmiin tai iholle, noudata alla olevia ohjeita.

**Varoitus! Akkuneste voi aiheuttaa aineellisia vahinkoja tai henkilövahinkoja. Jos nestettä joutuu iholle, se on välittömästi huuhdeltava pois vedellä. Jos ihoa kirvelee tai se punottaa tai on muuten ärtynyt, kysy lisäohjeita lääkäriltä. Jos nestettä joutuu silmiin, huuhto välittömästi puhtaalla vedellä ja mene lääkäriin.**

### Laturit

**Varoitus! Laturi on tarkoitettu tietyille jännitteelle. Tarkista aina, että verkkojännite vastaa arvokilvessä ilmoitettua jännitettä.**

**Varoitus! Älä yritä korvata laturiyksikköä tavallisella verkkopistokkeella.**

- ◆ Käytä Black & Deckerin laturia vain laitteen/työkalun mukana toimitetun akun lataamiseen. Muut akut voivat räjähtää ja aiheuttaa henkilövahinkoja tai aineellisia vahinkoja.
- ◆ Älä koskaan yritä ladata akkuja, joita ei ole tarkoitettu ladattaviksi.
- ◆ Jos virtajohto vahingoittuu, sen vaihtaminen tulee turvallisuussyistä jättää valmistajan tai valtuutetun Black & Decker -huollon tehtäväksi.
- ◆ Älä altista laturia vedelle.
- ◆ Älä avaa laturia.
- ◆ Älä työnnä mitään laturin sisään.
- ◆ Lataa laturia paikassa, jossa on kunnollinen ilmanvaihto.

## Laturin symbolit

Laturissa on seuraavat symbolit:



Laturisi on kaksoiseristetty; siksi ei tarvita erillistä maadoitusta. Tarkista, että laturin jännite vastaa verkon jännitettä. Lataa akku ainoastaan mukana toimitetulla laturilla.

Jos virtajohto vahingoittuu, sen vaihtaminen tulee turvallisuussyistä jättää valmistajan tai valtuutetun Black & Decker -huollon tehtäväksi.



Laturi on tarkoitettu vain sisäkäyttöön.



Lue käyttöohje huolellisesti ennen käyttöä.

## Yleiskatsaus

1. Virrankatkaisija
2. Lukitusnappi
3. Pääkädensija
4. Leikkuupää
5. Terä
6. Teränsuojus
7. Akku

## Kuva A

8. Laturi
9. Latausvalo - lataus käynnissä

## Kokoaminen

Jotta tahaton käynnistäminen ei olisi mahdollista, varmista, että akku on poistettu ja että teränsuojus on paikallaan ennen seuraavien toimenpiteiden suorittamista.

Jos näin ei menetellä, on olemassa vakavan loukkaantumisen vaara.

### Leikkuupään kiinnitys ja irrotus (kuva C)

#### Leikkuupään kiinnitys

- ◆ Kohdistä kädensijan liitospään (3) ulkopuolella oleva ura leikkuupään liitospuolen (4) sisäpuolella olevan kielekkeen kanssa.
- ◆ Työnnä leikkuupää (4) kädensijaan (3).
- ◆ Liu'uta kiinnityskaulus (11) alas ja kierrä sitä myötäpäivään, kunnes se on hyvin kiinni.

Tarkista liitännät säännöllisesti varmistaaksesi, että ne ovat hyvin kiinni. Kaulus on hyvin kiinni, jos oransseja kierteitä ei ole näkyvissä.

#### Leikkuupään irrotus

- ◆ Aseta kädensija (3) maahan, löysää kaulusta (11) ja irrota leikkuupää (4).

### Leikkuupään säätäminen (kuva D)

Leikkuupää kiertyy 180° ja se voidaan lukita 5 asentoon tällä alueella.

Puristukseen jäämisen välttämiseksi käytä käsineitä ja pidä työkalusta kiinni kuvan osoittamalla tavalla.

- ◆ Aseta kädensija (3) maahan, työnnä kaulusta (12) alas ja siirrä leikkuupää (4) haluttuun asentoon. Varmista, että leikkuupää napsahtaa kiinni paikalleen.

### Akun kiinnitys ja poisto (kuva B)

- ◆ Kiinnitä akku (7) asettamalla se työkalun liittännän kanssa samaan linjaan. Liu'uta akkua liittäntään, kunnes se lukittuu paikalleen.
- ◆ Poista akku painamalla vapautusnappia (10) samanaikaisesti, kun vedät akun irti.

## Käyttö

**Varoitus! Anna työkalun käydä omaan tahtiinsa.**

**Älä ylikuormita sitä.**

### Akun lataaminen (kuva A)

Lataa akku ennen ensimmäistä käyttökertaa ja aina silloin, kun se ei enää tuota riittävästi virtaa toimintoihin, jotka aikaisemmin hoituivat helposti.

Akku voi lämmetä ladattaessa. Tämä on normaalia, eikä se ole merkki mistään viasta.

**Varoitus! Älä lataa akkua, jos ympäristön lämpötila on alle +10°C tai yli +40°C. Suositeltava latauslämpötila: noin +24°C.**

**Huomautus: Laturi ei lataa akkua, jos akun kennon lämpötila on alle 10°C tai yli 40°C. Akku tulee kuitenkin jättää laturiin. Laturi aloittaa lataamisen automaattisesti, kun kennon lämpötila nousee tai laskee riittävästi.**

- ◆ Lataa akku (7) poistamalla se työkalusta ja asettamalla se laturiin (8). Akku sopii laturiin vain yhdessä asennossa. Älä laita sitä laturiin väkisin. Varmista, että akku on kunnolla laturissa.
- ◆ Kytke laturi pistorasiaan.
- ◆ Latauksen merkkivalo (9) vilkkuu tasaisesti vihreänä (hitaasti).

Akku on ladattu, kun latauksen merkkivalo (9) palaa keskeytyksettä vihreänä. Akku voidaan jättää laturiin, kun merkkivalo palaa. Merkkivalo voi alkaa vilkkua uudelleen vihreänä ns. täydennyslatauksen ajaksi. Latauksen merkkivalo (9) palaa niin kauan kuin akku on pistorasiaan liitetyssä laturissa.

- ◆ Lataa akut viikon kuluessa tyhjentymisestä. Akkujen käyttöikä lyhenee merkittävästi, jos ne jätetään tyhjiksi pitkäksi aikaa.

### Akun jättäminen laturiin

Akku voidaan jättää laturiin, kun merkkivalo palaa. Laturi pitää akun täyteenladattuna.

### Laturin viannääritys

Jos laturi havaitsee lähes tyhjän tai viallisen akun, latauksen merkkivalo (9) vilkkuu nopeasti punaisena. Toimi seuraavasti:

- ◆ Aseta akku uudelleen laturiin (7).
- ◆ Jos merkkivalo vilkkuu edelleen nopeasti punaisena, vaihda akku, jotta saat selville, toimiiko lataus asianmukaisesti.
- ◆ Jos toinen akku latautuu normaalisti, alkuperäinen akku on viallinen ja se on vietävä Black & Deckerin huoltopisteeseen kierrätettäväksi.
- ◆ Jos toinen akku antaa saman virheilmoituksen kuin alkuperäinen, vie laturi huoltopisteeseen testattavaksi.

**Huomautus: Akun kunnan määrittäminen voi kestää 60 minuuttia. Jos akku on liian kuuma tai kylmä, latauksen merkkivalo vilkkuu punaisena vuoroin nopeasti ja hitaasti.**

### Käynnistys ja pysäytys (kuva E)

Turvallisuussyistä työkalussa on kaksoisvirrankatkaisija. Tällä tavoin estetään työkalun käynnistyminen vahingossa.

### Työkalun käynnistys

- ◆ Työnnä lukituspainiketta (2) taaksepäin peukalolla ja paina samanaikaisesti virrankatkaisijaa (1).
- ◆ Päästä irti lukitusnapista (2).

### Työkalun pysäytys

- ◆ Päästä irti virrankatkaisijasta (1).

Älä koskaan yritä lukita virrankatkaisijaa käynnistysasentoon.

### Vinkejä parhaimman tuloksen saamiseksi

- ◆ Aloita leikkaaminen pensaan yläreunasta. Kallista työkalua hiukan (korkeintaan 15° kulmaan leikkauslinjaan nähden) niin, että terän kärjet osoittavat pensasta kohden (kuva F1). Tällä tavoin terät leikkaavat tehokkaammin. Pidä työkalua halutussa kulmassa ja liikuta sitä rauhallisesti ja tasaisesti leikkauslinjaa pitkin. Kaksipuolisesti leikkaavat terät sallivat leikkaamisen molempiin suuntiin.
- ◆ Jotta leikkausjälki olisi mahdollisimman suora, pensasaidan koko pituudelle voidaan pingottaa naru halutulle korkeudelle. Käytä naru viitelinjana ja leikkaa juuri sen yläpuolelta.
- ◆ Jotta sivuista tulisi tasaisia, leikkaa alhaalta ylöspäin siihen suuntaan, mihin pensas kasvaa. Nuoret oksat kallistuvat ulospäin, jos leikkaat ylhäältä alaspäin. Tämä aiheuttaa aukkoja pensasaitaan (kuva F2).

- ◆ Ole varovainen; vältä kaikkia asiaankuulumattomia esineitä. Vältä erityisesti kovia esineitä, kuten metallilankaa tai aitoja; nämä voivat vahingoittaa terä.
- ◆ Voitele terät säännöllisesti.

## Puhdistaminen, huolto ja varastointi

Black & Deckerin työkalu on suunniteltu toimimaan mahdollisimman pitkän aikaa mahdollisimman vähällä huollolla. Asianmukainen käyttö ja säännönmukainen puhdistus takaavat laitteen jatkuvan tyydyttävän toiminnan. Laturi ei tarvitse säännöllisen puhdistamisen lisäksi mitään muuta huoltoa.

Poista akku ennen työkalun huoltamista. Irrota laturi virtalähteestä ennen puhdistamista.

### Käytön jälkeen ja ennen varastointia

- ◆ Puhdista terät hyvin jokaisen käyttökerran jälkeen. Levitä puhdistuksen jälkeen ohut kerros kevyttä voiteluöljyä terille ruostumisen estämiseksi.
- ◆ Puhdista koneen ilma-aukot säännöllisesti pehmeällä harjalla tai kuivalla rievulla.
- ◆ Puhdista työkalun kuori säännöllisesti kostealla siivousliinalla. Älä koskaan käytä puhdistamiseen liuotainaineita tai syövyttäviä puhdistusaineita.
- ◆ Varmista, ettei kytkimissä ole roskia ennen käyttöä tai sen jälkeen.

### Säilytys

Jos konetta ei aiota käyttää useampaan kuukauteen, akun tulee olla liitettyinä laturiin.

Noudata muussa tapauksessa seuraavia ohjeita:

- ◆ Lataa akku täyteen.
- ◆ Poista akku koneesta.
- ◆ Säilytä konetta ja akkua turvallisessa ja kuivassa paikassa. Säilytyspaikan lämpötilan täytyy aina olla +10°C ja +40°C. Aseta akku tasaiselle alustalle.
- ◆ Lataa akku täyteen ennen kuin käytät konetta pitkäaikaisen säilytyksen jälkeen.

### Vianmääritys

Jos työkalu ei toimi oikein, tarkista seuraavat seikat.

Vika	Mahdollinen syy	Toimenpide
Työkalu ei käynnisty.	Akkua ei ole kiinnitetty oikein.	Tarkista akun kiinnitys.
	Akku on tyhjä.	Kiinnitä (täysin) ladattu akku työkaluun.
	Lukituspainike ei liiku.	Noudata käynnistysmenettelyä.

Vika	Mahdollinen syy	Toimenpide
	Napaliitäntöjä ei ole kiristetty asianmukaisesti.	Tarkista liitännät.
Akku ei lataudu.	Akkua ei ole kiinnitetty oikein.	Tarkista akun kiinnitys.

## Ympäristönsuojelu



Erillinen keräys. Tätä tuotetta ei saa hävittää normaalin kotitalousjätteen mukana.

Kun Black & Decker -laitteesi aikanaan täytyy vaihtaa tai ei kelpaa enää käyttöön, älä hävitä laitetta kotitalousjätteen mukana. Toimita laite kierrätettäväksi.



Käytettyjen tuotteiden ja pakkausmateriaalien erilliskeruun avulla materiaalit voidaan kierrättää ja käyttää uudelleen. Kierrätysmateriaalien käyttö auttaa vähentämään ympäristön saastumista ja uusien raaka-aineiden tarvetta.

Paikallisissa säädöksissä voidaan määrätä, että kodin sähkötuotteiden keruu tapahtuu kaupunkien jätteidenkäsittelyasemilla tai laitteita myyvissä liikkeissä uuden tuotteen oston yhteydessä.

Kun laitteesi on käytetty loppuun, älä hävitä sitä tavallisten roskien mukana, vaan vie se paikkakuntasi kierrätyskeskukseen tai jätä se valtuutettuun Black & Deckerin huoltooliikkeeseen.

Tiedot valtuutetuista huoltooliikkeistä saa ottamalla yhteyttä Black & Decker Oy:hyn. Valtuutettujen Black & Decker -huoltooliikkeiden yhteystiedot sekä lisätietoja palveluistamme ja takuuehdoista on Internetissä osoitteessa: [www.2helpU.com](http://www.2helpU.com).

### Paristot



Hävitä loppuun kuluneet paristot ympäristöstävällisesti.

- ◆ Käsittele akkua niin, että navat eivät joudu oikosulkuun.
- ◆ Älä yritä polttaa paristoa, sillä se voi aiheuttaa henkilövahinkoja tai räjähtää.
- ◆ Käytä paristo täysin loppuun ja irrota se sitten työkalusta.
- ◆ Akut ovat kierrätyskelpoisia. Pakkaa akut niin, että navat eivät aiheuta oikosulkua. Voit viedä akut mihin tahansa valtuutettuun huoltooliikkeeseen tai paikalliseen kierrätyskeskukseen.

## Tekniset tiedot

GTC1843L H1	
Jännite	Vdc 18
Leikkuuliikkeitä (kuormittamaton)	min <sup>-1</sup> 1400
Terän pituus	cm 43
Hammasväli	mm 12
Terän pysähdysaika	s <1.0
Paino (ilman akkua)	kg 3,2

Akku BL1518	
Jännite	Vdc 18
Teho	Ah 1,5
Akun tyyppi	Li-Ion

Laturi 905531** TYPE 1	
Syöttöjännite	Vac 230
Lähtöjännite	Vdc 20,5
Latausvirta	mA 200

Äänenpainetaso mitattu EN60745:n mukaisesti:  
 $L_{pA}$  (äänenpaine) 82 dB(A), epävarmuus (K) 3 dB(A)  
 $L_{WA}$  (ääniteho) 93 dB(A), epävarmuus (K) 3 dB(A)

Tärinän kokonaisarvot (vektorisumma), määritetty  
 EN 60745 -standardin mukaan:  
 Tärinäpäästöarvo ( $a_{hv}$ ) 1.1 m/s<sup>2</sup>,  
 epävarmuus (K) 1.5 m/s<sup>2</sup>

## EU:n yhdenmukaisuusilmoitus

KONEDIREKTIIV



GTC1843L

Black & Decker julistaa, että kohdassa "tekniset tiedot" kuvatut tuotteet noudattavat seuraavia:

2006/42/EY, EN 60745-1, EN 60745-2-15

2000/14/EY, Pensasleikkuri, 1400 min<sup>-1</sup>, Liite V

$L_{WA}$  (mitattu ääniteho) 93 dB(A), epävarmuus (K) 3 dB(A)

$L_{WA}$  (taattu ääniteho) 95 dB(A), epävarmuus (K) 3 dB(A)

Nämä tuotteet ovat myös direktiivin 2004/108/EY mukaisia.

Lisätietoja saa ottamalla yhteyttä Black & Deckeriin tai käyttöohjeen kääntöpuolelta.

Allekirjoittanut vastaa teknisten tietojen kokoamisesta tehden tämän ilmoituksen Black & Deckerin puolesta.

Kevin Hewitt

Vice-President Global Engineering

Black & Decker Europe, 210 Bath Road, Slough,

Berkshire, SL1 3YD

Iso-Britannia

19-10-2010

## Korjaukset / varaosat

Mikäli koneeseen tulee vikaa, jätä se aina Black & Deckerin valtuuttamaan huoltoliikkeeseen korjattavaksi. Varaosia myyvät valtuutetut Black & Deckerin huoltoliikkeet, ja heiltä voi myös pyytää kustannusarvion koneen korjauksesta.

Tiedot valtuutetuista huoltoliikkeistä löytyvät internetistä osoitteesta [www.2helpU.com](http://www.2helpU.com) sekä kotisivuiltamme [www.blackanddecker.fi](http://www.blackanddecker.fi).



## Takuu

Black & Decker Oy takaa, ettei tuotteessa ollut materiaali- ja/tai valmistusvikaa silloin, kun se toimitettiin ostajalle. Takuu on lisäys kuluttajan laillisiin oikeuksiin eikä vaikuta niihin. Takuu on voimassa Euroopan unionin jäsenmaissa ja Euroopan vapaakauppa-alueella (EFTA).

Mikäli Black & Decker -tuote hajoaa materiaali- ja/tai valmistusvirheen tai teknisten tietojen epätarkkuuden vuoksi 24 kk:n kuluessa ostopäivästä, Black & Decker korjaa laitteen ilman kustannuksia ostajalle tai vaihtaa sen uuteen Black & Decker Oy:n valinnan mukaan. Takuu ei kata vikoja, jotka johtuvat laitteen

- ◆ normaalista kulumisesta
- ◆ yliuorimituksesta, virheellisestä käytöstä tai hoidosta
- ◆ vahingoittamisesta vieraalla esineellä tai aineella tai onnettomuustapauksessa.
- ◆ Takuu ei ole voimassa, mikäli laitetta on korjannut joku muu kuin Black & Deckerin valtuuttama huoltoliike.

Edellytyksenä takuun saamiselle on, että ostaja näyttää laitteen ostokuitin jälleenmyyjälle tai valtuutetulle huoltoliikkeelle. Saat valtuutettujen huoltoliikkeiden yhteystiedot ottamalla yhteyden Black & Decker Oy:hyn tässä käyttöoppaassa ilmoitetussa osoitteessa. Löydät myös valtuutettujen Black & Decker huoltoliikkeiden yhteystiedot sekä lisätietoja palveluistamme ja takuuehdoista Internetissä osoitteessa: [www.2helpU.com](http://www.2helpU.com).

Rekisteröi uusi Black & Decker -tuotteesi ja katso uusien tuotteiden ja erikoistarjousten tiedot verkkosivuiltamme osoitteesta [www.blackanddecker.fi](http://www.blackanddecker.fi). Katso Black & Decker -tavaramerkin ja tuotevalikoimamme lisätiedot osoitteesta [www.blackanddecker.fi](http://www.blackanddecker.fi).

## Ενδεξιμένη χρήση

Το εργαλείο κλάδεματος θάμνων της Black & Decker έχει σχεδιαστεί για το κλάδεμα θάμνων, φρύγανων και βάτων. Αυτό το εργαλείο προορίζεται μόνο για ερασιτεχνική χρήση.

Ο φορτιστής της Black & Decker έχει σχεδιαστεί για να φορτίζει μπαταρίες Black & Decker του τύπου που παρέχονται με αυτό το εργαλείο.

## Οδηγίες ασφαλείας

Γενικές προειδοποιήσεις ασφαλείας για τα ηλεκτρικά εργαλεία



**Προειδοποίηση! Διαβάστε όλες τις υποδείξεις και όλες τις οδηγίες.** Η μη τήρηση όλων των υποδείξεων μπορεί να προκαλέσει ηλεκτροπληξία, πυρκαγιά ή/και σοβαρούς τραυματισμούς.

**Φυλάξτε όλες τις προειδοποιήσεις και τις οδηγίες για μελλοντική αναφορά.** Ο χαρακτηρισμός "ηλεκτρικό εργαλείο" που χρησιμοποιείται σε όλες τις παρακάτω προειδοποιήσεις αφορά είτε το εργαλείο που συνδέεται στην πρίζα (με καλώδιο) είτε το εργαλείο που λειτουργεί με μπαταρία (χωρίς καλώδιο).

### 1. Ασφάλεια χώρου εργασίας

- Διατηρείτε το χώρο που εργάζεστε καθαρό και καλά φωτισμένο.** Η αταξία στο χώρο εργασίας και τα σημεία χωρίς καλό φωτισμό μπορεί να οδηγήσουν σε ατυχήματα.
- Μη χρησιμοποιείτε ηλεκτρικά εργαλεία σε περιβάλλον όπου υπάρχει κίνδυνος έκρηξης, π.χ. παρουσία εύφλεκτων υγρών, αερίων ή σκόνης.** Τα ηλεκτρικά εργαλεία μπορεί να δημιουργήσουν σπινθηρισμό ο οποίος μπορεί να αναφλέξει τη σκόνη ή τις αναθυμιάσεις.
- Όταν χρησιμοποιείτε ένα ηλεκτρικό εργαλείο, κρατάτε τα παιδιά και τα υπόλοιπα άτομα μακριά από το χώρο που εργάζεστε.** Σε περίπτωση που άλλα άτομα αποσπάσουν την προσοχή σας μπορεί να χάσετε τον έλεγχο του εργαλείου.

### 2. Ασφαλής χρήση ηλεκτρικού ρεύματος

- Το φως του καλωδίου του ηλεκτρικού εργαλείου πρέπει να ταιριάζει στην αντίστοιχη πρίζα. Δεν επιτρέπεται με κανέναν τρόπο η μετασκευή του φως. Μη χρησιμοποιείτε προσαρμοστικά φως με γειωμένα ηλεκτρικά εργαλεία.** Τα φως που δεν έχουν υποστεί τροποποιήσεις και οι κατάλληλες πρίζες μειώνουν τον κίνδυνο ηλεκτροπληξίας.

- Αποφύγετε την επαφή του σώματός σας με γειωμένες επιφάνειες όπως σωλήνες, θερμαντικά σώματα (καλοριφέρ), κουζίνες και ψυγεία.** Όταν το σώμα σας είναι γειωμένο, αυξάνεται ο κίνδυνος ηλεκτροπληξίας.
  - Μην εκθέτετε τα ηλεκτρικά εργαλεία στη βροχή ή την υγρασία.** Η εισχώρηση νερού στο ηλεκτρικό εργαλείο αυξάνει τον κίνδυνο ηλεκτροπληξίας.
  - Μην κακομεταχειρίζεστε το καλώδιο. Μη χρησιμοποιείτε ποτέ το καλώδιο για να μεταφέρετε το εργαλείο, να το τραβήξετε ή να το αποσυνδέσετε από την πρίζα. Κρατάτε το καλώδιο μακριά από θερμότητα, λάδια, αιχμηρά άκρα ή κινούμενα εξαρτήματα.** Τυχόν χαλασμένα ή μπερδεμένα καλώδια αυξάνουν τον κίνδυνο ηλεκτροπληξίας.
  - Όταν χρησιμοποιείτε ένα ηλεκτρικό εργαλείο σε εξωτερικούς χώρους, να χρησιμοποιείτε πάντοτε προεκτάσεις (μπαταντζές) που έχουν εγκριθεί για χρήση σε εξωτερικούς χώρους.** Η χρήση προεκτάσεων κατάλληλων για εργασία σε εξωτερικούς χώρους μειώνει τον κίνδυνο ηλεκτροπληξίας.
  - Εάν η χρήση ενός ηλεκτρικού εργαλείου σε μία υγρή τοποθεσία είναι αναπόφευκτη, χρησιμοποιήστε μια Διάταξη Προστασίας Ρεύματος Διαρροής (RCD).** Η χρήση μιας διάταξης RCD μειώνει τον κίνδυνο ηλεκτροπληξίας.
- ### 3. Ασφάλεια προσώπων
- Όταν χρησιμοποιείτε το ηλεκτρικό εργαλείο, να είστε προσεκτικοί, να δίνετε προσοχή στην εργασία που κάνετε και να επιστρατεύετε την κοινή λογική. Μη χρησιμοποιείτε το ηλεκτρικό εργαλείο όταν είστε κουρασμένοι ή όταν βρίσκεστε υπό την επίρεια ναρκωτικών, οινοπνεύματος ή φαρμάκων.** Μια στιγμή απροσεξία κατά το χειρισμό του ηλεκτρικού εργαλείου μπορεί να οδηγήσει σε σοβαρούς τραυματισμούς.
  - Να χρησιμοποιείτε εξοπλισμό προσωπικής προστασίας. Να φοράτε πάντα προστατευτικά γυαλιά.** Ο κίνδυνος τραυματισμών μειώνεται όταν χρησιμοποιείτε εξοπλισμό προστασίας, όπως μάσκα προστασίας από σκόνη, αντιολισθητικά παπούτσια ασφαλείας, κράνη ή ωασιπίδες, ανάλογα με τις συνθήκες εργασίας.

- c. Αποφεύγετε την ακούσια ενεργοποίηση. Βεβαιωθείτε ότι ο διακόπτης λειτουργίας βρίσκεται στη θέση “OFF” πριν συνδέσετε το εργαλείο στην πρίζα ή/και τοποθετήσετε την μπαταρία, πριν το σηκώσετε ή το μεταφέρετε. Η μεταφορά ηλεκτρικών εργαλείων με το δάχτυλό σας επάνω στο διακόπτη ή η σύνδεση στην πρίζα ηλεκτρικών εργαλείων με το διακόπτη στη θέση ενεργοποίησης, ενέχει κινδύνους πρόκλησης ατυχημάτων.
- d. Πριν θέσετε το ηλεκτρικό εργαλείο σε λειτουργία, αφαιρέστε τυχόν εργαλεία ή κλειδιά ρύθμισης. Εάν αφήσετε ένα εργαλείο ή κλειδί πάνω σε κάποιο περιστρεφόμενο εξάρτημα του ηλεκτρικού εργαλείου μπορεί να προκληθούν τραυματισμοί.
- e. Μην τεντώνετε. Φροντίστε πάντοτε να έχετε την κατάλληλη στάση και να διατηρείτε την ισορροπία σας. Αυτό σας επιτρέπει τον καλύτερο έλεγχο του ηλεκτρικού εργαλείου σε περιπτώσεις απροσδόκητων καταστάσεων.
- f. Φοράτε κατάλληλη ενδυμασία εργασίας. Μη φοράτε φαρδιά ρούχα ή κοσμήματα. Κρατάτε τα μαλλιά, τα ενδύματα και τα γάντια σας μακριά από τα κινούμενα εξαρτήματα. Τα φαρδιά ρούχα, τα κοσμήματα και τα μακριά μαλλιά μπορεί να εμπλακούν στα κινούμενα εξαρτήματα.
- g. Αν προβλέπονται διατάξεις απαγωγής και συλλογής της σκόνης, βεβαιωθείτε ότι είναι συνδεδεμένες και ότι χρησιμοποιούνται σωστά. Η χρήση τέτοιων διατάξεων μειώνει τους κινδύνους που προέρχονται από τη σκόνη.
4. Χρήση και συντήρηση του ηλεκτρικού εργαλείου
- a. Μην υπερφορτώνετε το ηλεκτρικό εργαλείο. Χρησιμοποιείτε για την εκάστοτε εργασία σας το ηλεκτρικό εργαλείο που προορίζεται γι' αυτήν. Με το κατάλληλο ηλεκτρικό εργαλείο, εργάζεστε καλύτερα και ασφαλέστερα στην ονομαστική περιοχή ισχύος του.
- b. Μη χρησιμοποιήσετε ποτέ ένα ηλεκτρικό εργαλείο του οποίου ο διακόπτης λειτουργίας είναι χαλασμένος. Ένα ηλεκτρικό εργαλείο του οποίου η λειτουργία δεν μπορεί να ελεγχθεί με το διακόπτη είναι επικίνδυνο και πρέπει να επισκευαστεί.
- c. Βγάλτε το φως από την πρίζα ή/και την μπαταρία από το ηλεκτρικό εργαλείο, πριν διεξαγάγετε κάποια εργασία ρύθμισης, πριν αλλάξετε κάποιο εξάρτημα ή όταν πρόκειται να αποθηκεύσετε τα ηλεκτρικά εργαλεία. Αυτά τα προληπτικά μέτρα ασφαλείας μειώνουν τον κίνδυνο να τεθεί το εργαλείο ακούσια σε λειτουργία.
- d. Να φυλάτε τα ηλεκτρικά εργαλεία που δε χρησιμοποιείτε μακριά από παιδιά. Μην αφήνετε άτομα που δεν είναι εξοικειωμένα με το ηλεκτρικό εργαλείο ή που δεν έχουν διαβάσει αυτές τις οδηγίες χρήσης να το χρησιμοποιήσουν. Τα ηλεκτρικά εργαλεία είναι επικίνδυνα όταν χρησιμοποιούνται από άπειρα άτομα.
- e. Να συντηρείτε τα ηλεκτρικά εργαλεία. Ελέγξτε εάν τα κινούμενα εξαρτήματα είναι σωστά ευθυγραμμισμένα ή αν έχουν μπλοκάρει, εάν έχουν σπάσει κομμάτια και εάν πληρούνται όλες οι υπόλοιπες προϋποθέσεις που ενδεχομένως να επηρεάσουν τη σωστή λειτουργία του εργαλείου. Δώστε τυχόν χαλασμένα εξαρτήματα του ηλεκτρικού εργαλείου για επισκευή πριν το χρησιμοποιήσετε πάλι. Η ανεπαρκής συντήρηση των ηλεκτρικών εργαλείων αποτελεί αιτία πολλών ατυχημάτων.
- f. Διατηρείτε τα κοπτικά εργαλεία κοφτερά και καθαρά. Τα κοπτικά εργαλεία με αιχμηρά κοπτικά άκρα που συντηρούνται σωστά έχουν λιγότερες πιθανότητες να μπλοκάρουν και ελέγχονται ευκολότερα.
- g. Να χρησιμοποιείτε τα ηλεκτρικά εργαλεία, τα εξαρτήματα και τα άκρα των εργαλείων κλπ. σύμφωνα με τις παρούσες οδηγίες, λαμβάνοντας υπόψη σας τις συνθήκες εργασίας και την εργασία που θέλετε να εκτελέσετε. Η χρήση του ηλεκτρικού εργαλείου για εργασίες πέρα από τις προβλεπόμενες μπορεί να δημιουργήσει επικίνδυνες καταστάσεις.
5. Χρήση και συντήρηση του εργαλείου μπαταρίας
- a. Επαναφορτίζετε μόνο με το φορτιστή που καθορίζεται από τον κατασκευαστή. Ένας φορτιστής που είναι κατάλληλος για έναν τύπο μπαταρίας μπορεί να προκαλέσει κίνδυνο πυρκαγιάς εάν χρησιμοποιηθεί με άλλη μπαταρία.
- b. Χρησιμοποιείτε τα ηλεκτρικά εργαλεία αποκλειστικά και μόνο με τις καθοριζόμενες μπαταρίες. Η χρήση άλλων μπαταριών μπορεί να προκαλέσει κίνδυνο τραυματισμού και πυρκαγιάς.
- c. Όταν η μπαταρία δε χρησιμοποιείται, μην την πλησιάζετε σε μεταλλικά αντικείμενα όπως συνδετήρες, κέρματα, κλειδιά, καρφιά, βίδες ή άλλα μικρά μεταλλικά αντικείμενα που μπορούν να βραχυκυκλώσουν τους δύο ακροδέκτες της. Εάν βραχυκυκλώσουν οι πόλοι της μπαταρίας μπορεί να προκληθούν εγκαύματα ή πυρκαγιά.

d. Υπό ακραίες συνθήκες, είναι δυνατή η διαρροή υγρού από την μπαταρία, με το οποίο πρέπει να αποφεύγετε την επαφή. Σε περίπτωση κατά λάθος επαφής, ξεπλύνετε με νερό. Εάν το υγρό έρθει σε επαφή με τα μάτια, ζητήστε και ιατρική βοήθεια. Το υγρό που διαρρέει από την μπαταρία μπορεί να προκαλέσει ερεθισμούς ή εγκαύματα.

## 6. Σέρβις

a. Το σέρβις του ηλεκτρικού σας εργαλείου πρέπει να αναλαμβάνει έμπειρος τεχνικός που θα χρησιμοποιεί μόνο γνήσια ανταλλακτικά. Έτσι εξασφαλίζεται η διατήρηση της ασφάλειας του ηλεκτρικού εργαλείου.

## Συμπληρωματικές προειδοποιήσεις ασφαλείας για τα ηλεκτρικά εργαλεία



**Προειδοποίηση!** Συμπληρωματικές προειδοποιήσεις ασφαλείας για τρυπάνια και κρουστικά τρυπάνια

- ◆ Κρατήστε το ηλεκτρικό εργαλείο από τις μονωμένες λαβές, όταν εκτελείτε μία εργασία όπου το εξάρτημα κοπής μπορεί να έρθει σε επαφή με κρυμμένα καλώδια ή με το ίδιο του το καλώδιο. Εάν το εξάρτημα κοπής έρθει σε επαφή με ηλεκτροφόρο καλώδιο, μπορεί να κάνει τα μεταλλικά μέρη του ηλεκτρικού εργαλείου επίσης ηλεκτροφόρα και να προκαλέσει ηλεκτροπληξία στο χειριστή.
- ◆ Κρατήστε όλα τα μέρη του σώματος σας μακριά από την λεπίδα του κόπτη. Μην αφαιρείτε τον κομμένο υλικό ή κρατάτε υλικό προς κοπή όταν οι λεπίδες δουλεύουν. Βεβαιωθείτε ότι ο διακόπτης είναι απενεργοποιημένος όταν καθαρίζετε φραγμένο υλικό. Μια στιγμιαία απροσεξία κατά το χειρισμό του ηλεκτρικού εργαλείου μπορεί να οδηγήσει σε σοβαρούς τραυματισμούς.
- ◆ Μεταφέρετε το μηχανήμα φινιρίσματος ακρών από την λαβή με σταματημένες λεπίδες κοπής. Όταν μεταφέρετε ή αποθηκεύετε το μηχανήμα φινιρίσματος ακρών τοποθετήστε πάντα το κάλυμμα της συσκευής κοπής. Η σωστή μεταχείριση του μηχανήματος φινιρίσματος κοπής θα μειώσει τους πιθανούς σωματικούς τραυματισμούς από τις λεπίδες κοπής.
- ◆ Κρατήστε το καλώδιο μακριά από την περιοχή κοπής. Κατά την διάρκεια λειτουργίας το καλώδιο μπορεί να κρύβεται στους θάμνους και να κοπεί κατά λάθος.
- ◆ Η ενδεδειγμένη χρησιμοποίηση αναφέρεται σε αυτές τις οδηγίες χρήσεως. Τόσο η χρήση εξαρτημάτων ή προσθηκών όσο και η πραγματοποίηση εργασιών που δεν συνιστώνται στις οδηγίες αυτές εγκυμονεί κίνδυνο τραυματισμού και/η περιουσίας.

- ◆ Μην μεταφέρετε το εργαλείο έχοντας τα δάχτυλά σας στη μπροστινή λαβή με διακοπή ή στη σκανδάλη, εκτός κι αν έχετε αφαιρέσει τη μπαταρία.
- ◆ Εάν δεν έχετε ξαναχρησιμοποιήσει εργαλείο κλαδέματος θάμνων, είναι προτιμότερο να ζητήσετε πρακτικές οδηγίες από έναν έμπειρο χρήστη αφού μελετήσετε αυτό το χειρίδιο.
- ◆ Ποτέ μην αγγίζετε τις λεπίδες όταν το εργαλείο είναι σε λειτουργία.
- ◆ Ποτέ μην επιχειρήσετε να ακινητοποιήσετε τις λεπίδες δια της βίας.
- ◆ Μην αποθέτετε το εργαλείο εάν δεν έχουν ακινητοποιηθεί τελείως οι λεπίδες.
- ◆ Ελέγχετε τακτικά τις λεπίδες για τυχόν ζημιές και φθορά. Μη χρησιμοποιείτε το εργαλείο αν οι λεπίδες εμφανίζουν φθορά.
- ◆ Φροντίστε να αποφεύγετε τα σκληρά αντικείμενα (π.χ. μεταλλικά σύρματα, κάγκελα) όταν κλαδεύετε. Εάν προσκρούσετε σε τέτοιο αντικείμενο κατά λάθος, θέστε αμέσως εκτός λειτουργίας το εργαλείο και ελέγξτε για τυχόν ζημιές.
- ◆ Αν το εργαλείο αρχίσει να τρέμει αφύσικα, θέστε το αμέσως εκτός λειτουργίας και ελέγξτε για τυχόν ζημιές.
- ◆ Αν το εργαλείο μπλοκάρει, θέστε το αμέσως εκτός λειτουργίας. Αφαιρέστε τη μπαταρία πριν επιχειρήσετε να αφαιρέσετε τυχόν αντικείμενα που το φράζουν.
- ◆ Μετά τη χρήση, τοποθετήστε τις λεπίδες στη θήκη που παρέχεται. Αποθηκεύστε το εργαλείο, επιβεβαιώνοντας ότι δεν είναι εκτεθειμένη η λεπίδα.
- ◆ Όταν χρησιμοποιείτε το εργαλείο, να βεβαιώνετε πάντα ότι έχουν τοποθετηθεί όλοι οι προφυλακτικές. Ποτέ μην επιχειρείτε να χρησιμοποιήσετε ένα ελλειπές εργαλείο ή ένα εργαλείο που έχει υποστεί μη εγκεκριμένες τροποποιήσεις.
- ◆ Ποτέ μην αφήνετε παιδιά να χρησιμοποιούν το εργαλείο.
- ◆ Προσέξτε τα απορρίμματα που πέφτουν όταν κόβετε τις υψηλότερες πλευρές ενός θάμνου.
- ◆ Κρατάτε πάντοτε το εργαλείο με τα δύο σας χέρια και από τις λαβές που υπάρχουν.

## Ασφάλεια τρίτων

- ◆ Αυτή η συσκευή δεν προορίζεται για χρήση από άτομα (στα οποία περιλαμβάνονται και τα παιδιά) με μειωμένες φυσικές, αντιληπτικές ή διανοητικές ικανότητες ή άτομα χωρίς εμπειρία και γνώσεις, παρά μόνο εφόσον επιτηρούνται ή τους έχουν δοθεί οδηγίες σχετικά με τη χρήση της συσκευής από άτομο υπεύθυνο για την ασφάλειά τους.
- ◆ Τα παιδιά πρέπει να επιτηρούνται για να διασφαλίζεται ότι δεν παίζουν με τη συσκευή.

**Δόνηση**

Η δηλωμένη τιμή εκπομπής δόνησης που αναφέρεται στα τεχνικά χαρακτηριστικά και τη δήλωση συμμόρφωσης έχει μετρηθεί σύμφωνα με μια τυποποιημένη μέθοδο δοκιμής που παρέχεται από το πρότυπο EN 60745 και μπορεί να χρησιμοποιηθεί για τη σύγκριση ενός εργαλείου με ένα άλλο. Η δηλωμένη τιμή εκπομπής δόνησης μπορεί επίσης να χρησιμοποιηθεί σε έναν προκαταρκτικό προσδιορισμό της έκθεσης.

**Προειδοποίηση!** Η τιμή εκπομπής δόνησης κατά την πραγματική χρήση του ηλεκτρικού εργαλείου μπορεί να διαφέρει από τη δηλωμένη τιμή ανάλογα με το τρόπο που χρησιμοποιείται το εργαλείο. Η στάθμη δόνησης μπορεί να αυξηθεί πάνω από τη στάθμη που έχει δηλωθεί.

**Προειδοποίηση!** Κατά τον προσδιορισμό της έκθεσης σε δόνηση για τον καθορισμό των απαιτούμενων μέτρων ασφάλειας σύμφωνα με την οδηγία 2002/44/EK για την προστασία προσώπων που χρησιμοποιούν συχνά ηλεκτρικά εργαλεία στην εργασία τους, μια προσεγγιστική εκτίμηση της έκθεσης σε δόνηση πρέπει να λαμβάνει υπόψη τις πραγματικές συνθήκες χρήσης και τον τρόπο χρήσης του εργαλείου, συμπεριλαμβανομένων και όλων των επιμέρους τμημάτων του κύκλου εργασίας, όπως, πόσες φορές τέθηκε το εργαλείο εκτός λειτουργίας, πότε είναι σε λειτουργία χωρίς φορτίο και επιπρόσθετα ο χρόνος πίεσης της σκανδάλης.

**Προειδοποιητικά σύμβολα**

Πάνω στο εργαλείο υπάρχουν τα ακόλουθα προειδοποιητικά σύμβολα:



**Προειδοποίηση!** Για να μειώσετε τον κίνδυνο τραυματισμού, ο χρήστης πρέπει να διαβάσει το εγχειρίδιο οδηγιών.



Μην χρησιμοποιείτε το εργαλείο σε υγρές συνθήκες και μην το εκθέτετε στην βροχή.



Να φοράτε πάντα αντιολισθητικά υποδήματα ασφαλείας.



**Προειδοποίηση!** Μην αγγίζετε την αλυσίδα στο σημείο εξαγωγής των απορριμμάτων κοπής.



Να φοράτε πάντα το κεφάλι και την προστασία των ματιών.



Για να εξασφαλίσετε τη συνεχή ασφαλή λειτουργία, ελέγχετε την τάνυση της αλυσίδας όπως περιγράφεται σε αυτό το εγχειρίδιο μετά από κάθε 10 λεπτά χρήσης, και ρυθμίζετε τη ξανά σε διάκενο 3 mm όπως απαιτείται.



Προσοχή από τα αντικείμενα που πέφτουν. Μην αφήνετε τρίτους να πλησιάζουν.



Κίνδυνος ηλεκτροπληξίας. Καθίστε τουλάχιστον 10 m μακριά από τις εναέριες γραμμές.

**Αναπόφευκτοι κίνδυνοι**

Μπορεί να προκληθούν επιπρόσθετοι αναπόφευκτοι κίνδυνοι όταν χρησιμοποιείτε το εργαλείο οι οποίοι μπορεί να μη συμπεριλαμβάνονται στις προειδοποιήσεις ασφαλείας που εσωκλείονται. Αυτοί οι κίνδυνοι μπορεί να προκληθούν από κακή χρήση, παρατεταμένη χρήση κτλ.

Ακόμα και με την τήρηση των σχετικών κανονισμών ασφαλείας και τη χρήση μέσω προστασίας, ορισμένοι κίνδυνοι δεν είναι δυνατό να εξαλειφθούν. Αυτοί περιλαμβάνουν:

- ◆ Τραυματισμούς από το άγγιγμα των περιστρεφόμενων/κινούμενων μερών.
- ◆ Τραυματισμούς από αλλαγή οποιωνδήποτε εξαρτημάτων, λεπίδων ή αξεσουάρ.
- ◆ Τραυματισμούς από παρατεταμένη χρήση του εργαλείου. Όταν χρησιμοποιείτε οποιοδήποτε εργαλείο για παρατεταμένες χρονικές περιόδους βεβαιωθείτε ότι κάνετε τακτικά διαλείμματα.
- ◆ Προβλήματα ακοής.
- ◆ Κίνδυνοι στην υγεία που προκαλούνται από την εισπνοή σκόνης όταν χρησιμοποιείτε το εργαλείο (παραδείγματα: όταν επεξεργάζεστε ξύλο, ειδικά δρυς, οξιά και MDF).

**Συμπληρωματικές οδηγίες ασφαλείας για τις μπαταρίες και τους φορτιστές****Μπαταρίες**

- ◆ Μην επιχειρήσετε ποτέ να ανοίξετε τις μπαταρίες για οποιοδήποτε λόγο.
- ◆ Μην εκθέτετε την μπαταρία σε νερό.
- ◆ Μην εκθέτετε την μπαταρία σε θερμότητα.
- ◆ Μη φυλάσσετε τις μπαταρίες σε μέρη όπου η θερμοκρασία μπορεί να υπερβεί τους 40°C.
- ◆ Η φόρτιση πρέπει να γίνεται μόνο σε θερμοκρασίες περιβάλλοντος μεταξύ 10°C και 40°C.

- ♦ Η φόρτιση πρέπει να γίνεται μόνο με το φορτιστή που παρέχεται μαζί με τη συσκευή/εργαλείο. Η χρήση άλλου φορτιστή μπορεί να προκαλέσει ηλεκτροπληξία ή υπερθέρμανση της μπαταρίας.
- ♦ Όταν απορρίπτετε τις μπαταρίες, ακολουθήστε τις οδηγίες που δίνονται στην ενότητα "Προστασία του περιβάλλοντος".
- ♦ Μην καταστρέφετε/παρामορφώνετε την μπαταρία είτε τρυπώντας ή χτυπώντας την, διότι μπορεί να προκληθεί κίνδυνος τραυματισμού ή πυρκαγιάς.
- ♦ Μη φορτίζετε τις κατεστραμμένες μπαταρίες.
- ♦ Κάτω από ακραίες συνθήκες, μπορεί να επέλθει διαρροή υγρών μπαταρίας. Αν παρατηρήσετε υγρό πάνω στις μπαταρίες, σκουπίστε το προσεκτικά με ένα πανί. Αποφύγετε την επαφή με το δέρμα.
- ♦ Στην περίπτωση επαφής με το δέρμα ή τα μάτια, ακολουθήστε τις παρακάτω οδηγίες.

**Προειδοποίηση! Το υγρό της μπαταρίας μπορεί να προκαλέσει τραυματισμό ή υλικές ζημιές. Στην περίπτωση επαφής με το δέρμα, ξεπλύνετε αμέσως με άφθονο νερό. Αν παρουσιαστεί κοκκίνισμα του δέρματος, πόνος ή ερεθισμός, ζητήστε ιατρική βοήθεια. Στην περίπτωση επαφής με τα μάτια, ξεπλύνετε αμέσως με άφθονο καθαρό νερό και ζητήστε ιατρική βοήθεια.**

### Φορτιστές

**Προειδοποίηση! Ο φορτιστής σας είναι σχεδιασμένος για μια συγκεκριμένη ηλεκτρική τάση. Ελέγχετε πάντα αν η τάση τροφοδοσίας αντιστοιχεί σε αυτήν που αναγράφεται στην πινακίδα χαρακτηριστικών.**

**Προειδοποίηση! Ποτέ μην επιχειρείτε να αντικαταστήσετε τη μονάδα φορτιστή με έναν κανονικό ρευματολήπτη.**

- ♦ Ο φορτιστής Black & Decker πρέπει να χρησιμοποιείται αποκλειστικά και μόνο για τη φόρτιση της μπαταρίας της συσκευής/του εργαλείου που συνοδεύει. Αν χρησιμοποιηθεί για άλλες μπαταρίες, αυτές μπορεί να εκραγούν, προκαλώντας τραυματισμό και ζημιές.
- ♦ Μην επιχειρείτε ποτέ να φορτίσετε μη επαναφορτιζόμενες μπαταρίες.
- ♦ Αν το καλώδιο ρεύματος έχει υποστεί φθορά, η αντικατάστασή του πρέπει να γίνει από τον κατασκευαστή ή από ένα εξουσιοδοτημένο κέντρο της Black & Decker, ώστε να μην αποτελέσει κίνδυνο.
- ♦ Μην εκθέτετε το φορτιστή σε νερό.
- ♦ Μην ανοίγετε το φορτιστή.
- ♦ Μην επεμβαίνετε στο φορτιστή.
- ♦ Κατά τη φόρτιση, φορτιστή πρέπει να βρίσκεται σε καλά αεριζόμενο χώρο.

### Σύμβολα επάνω στο φορτιστή

Στον φορτιστή σας υπάρχουν τα ακόλουθα σύμβολα:



Ο φορτιστής σας φέρει διπλή μόνωση. Κατά συνέπεια δε χρειάζεται καλώδιο γείωσης. Βεβαιωθείτε ότι η τάση του φορτιστή σας αντιστοιχεί με την τάση του δικτύου σας. Ποτέ μην επιχειρήσετε να υποκαταστήσετε το φορτιστή με κοινή πρίζα ρεύματος.

Αν το καλώδιο ρεύματος έχει υποστεί φθορά, η αντικατάστασή του πρέπει να γίνει από τον κατασκευαστή ή από ένα εξουσιοδοτημένο κέντρο της Black & Decker, ώστε να μην αποτελέσει κίνδυνο.



Ο φορτιστής προορίζεται μόνο για χρήση σε εσωτερικούς χώρους.



Διαβάστε τον εγχειρίδιο οδηγιών πριν τη χρήση.

### Γενική Επισκόπηση

1. Διακόπτης on/off
2. Μπουτόν απασφάλισης
3. Κύρια λαβή
4. Κεφαλή φινιρίσματος
5. Λεπίδα
6. Θήκη λεπίδας
7. Μπαταρία

### Εικ. Α

8. Φορτιστής
9. Ενδειξη φόρτισης

### Συναρμολόγηση

Για να αποφύγετε την αθέλητη λειτουργία, βεβαιωθείτε ότι η μπαταρία έχει αφαιρεθεί και ότι η θήκη της λεπίδας είναι στη θέση της στις λεπίδες πριν εκτελέσετε τις παρακάτω λειτουργίες. Η μη πλήρωση αυτών των οδηγιών μπορεί να οδηγήσει σε σοβαρούς τραυματισμούς.

### Τοποθέτηση και αφαίρεση της κεφαλής φινιρίσματος (εικ. C)

#### Τοποθέτηση της κεφαλής φινιρίσματος

- ♦ Ευθυγραμμίστε το αυλάκι στο εξωτερικό του άκρου διασύνδεσης της λαβής (3) με την γλώσσα στο εσωτερικό του άκρου διασύνδεσης της κεφαλής φινιρίσματος (4).
- ♦ Σπρώξτε τη κεφαλή φινιρίσματος (4) στη λαβή (3).
- ♦ Ολισθήστε κάτω το κολάρο (11) και περιστρέψτε το δεξιόστροφα μέχρι να σφιχτεί ολοκληρωτικά.

Ελέγξτε τακτικά τις διασυνδέσεις για να βεβαιωθείτε ότι είναι σφιγμένες σταθερά. Το δακτύλιο έχει ασφαλιστεί σωστά αν δεν υπάρχουν ορατά σπειρώματα πορτοκαλί.

#### Αφαίρεση της κεφαλής φινιρίσματος

- ◆ Αφήστε τη λαβή (3) κάτω, χαλαρώστε το δακτύλιο (11) και βγάλτε τη κεφαλή φινιρίσματος (4).

#### Ρύθμιση της γωνίας κεφαλής φινιρίσματος (εικ. D)

Η κεφαλή φινιρίσματος περιστρέφεται 180° και μπορεί να κλειδωθεί σε 5 θέσεις σ' αυτό το εύρος.

Για να αποτρέψτε τα σκοντάματα, φορέστε προστατευτικά γάντια και κρατήστε τη μονάδα όπως δείχνεται.

- ◆ Αφήστε τη λαβή (3) κάτω, ολισθήστε κάτω το δακτύλιο (12) και μετακινήστε τη κεφαλή φινιρίσματος (4) όπως χρειάζεται. Βεβαιωθείτε ότι η κεφαλή φινιρίσματος έχει ασφαλίσει καλά στη θέση του.

#### Τοποθέτηση και αφαίρεση της μπαταρίας (εικ. B)

- ◆ Για να τοποθετήσετε την μπαταρία (7), ευθυγραμμίστε την με την υποδοχή πάνω στο εργαλείο. Ολισθήστε τη μπαταρία μέσα στη θήκη και σπρώξτε τη μέχρι να κουμπώσει στη θέση της.
- ◆ Για να βγάλετε τη μπαταρία, πατήστε το κουμπί απελευθέρωσης (10) και τραβήξτε ταυτόχρονα τη μπαταρία έξω από τη θήκη.

## Χρήση

**Προειδοποίηση! Αφήστε το εργαλείο να λειτουργήσει με το δικό του ρυθμό. Μην το υπερφορτώνετε.**

#### Φόρτιση της μπαταρίας (εικ. A)

Η μπαταρία πρέπει να φορτίζεται πριν από την πρώτη χρήση και όποτε αδυνατεί να παρέχει επαρκή ισχύ σε εργασίες η εκτέλεσή των οποίων ήταν προηγούμενα εύκολη. Η μπαταρία μπορεί να θερμαίνεται κατά τη φόρτιση. Κάτι τέτοιο είναι φυσιολογικό και δεν υποδηλώνει πρόβλημα.

**Προειδοποίηση! Μη φορτίζετε την μπαταρία σε θερμοκρασίες περιβάλλοντος κάτω από 10°C ή πάνω από 40°C. Συνιστώμενη θερμοκρασία φόρτισης: περίπου 24°C.**

**Σημείωση:** Ο φορτιστής δε θα φορτίσει μια μπαταρία με θερμοκρασία κυψέλης κάτω από περίπου 10°C ή πάνω από 40°C. Η μπαταρία θα πρέπει να μείνει στο φορτιστή και αυτός θα αρχίσει να τη φορτίζει αυτόματα μόλις η θερμοκρασία κυψέλης αυξηθεί ή μειωθεί αντίστοιχα.

- ◆ Για να φορτίσετε την μπαταρία (8), αφαιρέστε την από το εργαλείο και τοποθετήστε την στο φορτιστή (7). Η μπαταρία μπορεί να τοποθετηθεί στο φορτιστή μόνο με έναν τρόπο. Μην ασκείτε δύναμη. Βεβαιωθείτε ότι η μπαταρία είναι τοποθετημένη σωστά στο φορτιστή.
- ◆ Συνδέστε το φορτιστή και συνδέστε στο ρεύμα.

Η ενδεικτική λυχνία φόρτισης (9) θα αρχίσει να αναβοσβήνει πράσινη συνεχώς (αργά). Η φόρτιση έχει ολοκληρωθεί όταν η ενδεικτική λυχνία φόρτισης (9) ανάψει σταθερά πράσινη. Ο φορτιστής και η μπαταρία μπορούν να παραμείνουν συνδεδεμένα επ' αόριστον όσο η ενδεικτική λυχνία LED είναι αναμμένη.

Η ενδεικτική λυχνία LED αρχίζει να αναβοσβήνει πράσινη (φόρτιση), καθώς ο φορτιστής αναπληρώνει περιστασιακά το φορτίο της μπαταρίας. Η ενδεικτική λυχνία φόρτισης (9) παραμένει αναμμένη για όσο διάστημα η μπαταρία είναι συνδεδεμένη με το φορτιστή στην πρίζα.

- ◆ Φορτίζετε τις αποφορτισμένες μπαταρίες εντός 1 εβδομάδας. Η διάρκεια ζωής μιας μπαταρίας μειώνεται σημαντικά εάν αυτή αποθηκευτεί σε αποφορτισμένη κατάσταση.

#### Αν αφήσετε την μπαταρία στο φορτιστή

Ο φορτιστής και η μπαταρία μπορούν να παραμείνουν συνδεδεμένα επ' αόριστον όσο η ενδεικτική λυχνία LED είναι αναμμένη. Ο φορτιστής διατηρεί την μπαταρία πλήρως φορτισμένη.

#### Διαγνωστικά φορτιστή

Εάν ο φορτιστής εντοπίσει μια ασθενή ή κατεστραμμένη μπαταρία, η ενδεικτική λυχνία φόρτισης (9) θα αρχίσει να αναβοσβήνει κόκκινη με γρήγορο ρυθμό. Προχωρήστε ως εξής:

- ◆ Επανατοποθετήστε την μπαταρία (7)
- ◆ Εάν η ενδεικτική λυχνία φόρτισης συνεχίσει να αναβοσβήνει κόκκινη με γρήγορο ρυθμό, χρησιμοποιήστε μια άλλη μπαταρία για να εξακριβώσετε εάν η διαδικασία φόρτισης λειτουργεί σωστά.
- ◆ Εάν η νέα μπαταρία φορτίζεται σωστά, αυτό σημαίνει ότι η αρχική μπαταρία είναι ελαττωματική και θα πρέπει να επιστραφεί σε ένα κέντρο σέρβις για ανακύκλωση.
- ◆ Εάν η νέα μπαταρία δίνει την ίδια ένδειξη με την αρχική μπαταρία, πηγαίστε το φορτιστή για έλεγχο σε ένα εξουσιοδοτημένο κέντρο επισκευών.

**Σημείωση:** Μπορεί να χρειαστούν μέχρι και 60 λεπτά για να εξακριβωθεί εάν η μπαταρία είναι ελαττωματική. Εάν η μπαταρία είναι πολύ θερμή ή πολύ κρύα, η ενδεικτική λυχνία LED θα αναβοσβήνει κόκκινη με γρήγορο και αργό ρυθμό εναλλάξ, μια αναλαμπή σε κάθε ρυθμό και κατ' επανάληψη.

#### Θέση εντός και εκτός λειτουργίας (εικ. E)

Για την ασφάλειά σας, το εργαλείο διαθέτει διπλό σύστημα εκκίνησης. Το σύστημα αυτό προφυλάσσει από τυχόν αιφνίδια εκκίνηση του εργαλείου.



**Θέση σε λειτουργία**

- ◆ Πιέστε το μπουτόν ασφάλισης (2) προς τα πίσω με τον αντίχειρά σας και πιέστε ταυτόχρονα το διακόπτη λειτουργίας (on/off) (1).
- ◆ Απελευθερώστε το μπουτόν απασφάλισης (2).

**Θέση εκτός λειτουργίας**

- ◆ Ελευθερώστε τον διακόπτη λειτουργίας (on/off) (1).

Ποτέ μην επιχειρήσετε να ασφαλίσετε κάποιο διακόπτη στη θέση λειτουργίας (on).

**Συμβουλές για άριστη χρήση**

- ◆ Ξεκινήστε κλαδεύοντας την κορυφή του θάμνου. Γείρετε ελάχιστα το εργαλείο (έως 15° σε σχέση με τη γραμμική κοπή) ώστε τα άκρα της λεπίδας να δείχνουν ελαφρά προς το μέρος του θάμνου (εικ. F1). Έτσι οι λεπίδες θα κόβουν πιο αποτελεσματικά. Κρατάτε το εργαλείο στην επιθυμητή γωνία και κινήστε το σταθερά κατά μήκος της γραμμής κοπής. Η λεπίδα διπλής όψης σας επιτρέπει να κόβετε προς οποιαδήποτε κατεύθυνση.
- ◆ Για να κόψετε σε απόλυτη ευθεία, τεντώστε ένα κομμάτι σπάγκου κατά μήκος του θάμνου στο επιθυμητό ύψος. Χρησιμοποιήστε το σπάγκο ως οδηγό, κόβοντας λίγο πιο πάνω από αυτόν.
- ◆ Για να επιτύχετε επίπεδες πλευρές, κόβετε προς τα πάνω προς την κατεύθυνση της ανάπτυξης του φυτού. Οι νεότεροι μίσχοι μετακινούνται προς τα έξω όταν η λεπίδα κόβει προς τα κάτω, προκαλώντας έτσι κενά σημεία στο θάμνο (εικ. F2).
- ◆ Προσέχετε να αποφύγετε τυχόν ξένα αντικείμενα. Αποφεύγετε ειδικά τα σκληρά αντικείμενα, όπως μεταλλικά σύρματα και κάγκελα, καθώς μπορεί να προκαλέσουν ζημιά στις λεπίδες.
- ◆ Λαδώνετε τακτικά τις λεπίδες.

**Πότε να ψαλιδίσετε**

- ◆ Ως γενικός κανόνας, οι φράκτες και οι θάμνοι με εποχιακά φύλλα (νέα κάθε χρόνο) μπορούν να ψαλιδιστούν τον Ιούνιο και τον Οκτώβριο.
- ◆ Τα αειθαλή δέντρα μπορούν να ψαλιδιστούν τον Απρίλιο και τον Αύγουστο.
- ◆ Κωνοφόρα δέντρα και άλλοι θάμνοι που αναπτύσσονται γρήγορα μπορούν να ψαλιδίζονται περίπου κάθε έξι μήνες από τον Μάιο και μετέπειτα.

**Καθαρισμός, συντήρηση και αποθήκευση**

Αυτό το εργαλείο της Black & Decker έχει σχεδιαστεί έτσι ώστε να λειτουργεί για μεγάλο χρονικό διάστημα με την ελάχιστη δυνατή φροντίδα. Η συνεχής ικανοποιητική λειτουργία εξαρτάται από τη σωστή χρήση του εργαλείου και τακτικό καθαρισμό. Ο φορτιστής σας δεν χρειάζεται καμιά συντήρηση εκτός από το τακτικό καθαρισμό.

Πριν εκτελέσετε οποιαδήποτε εργασία συντήρησης στο εργαλείο, αφαιρέστε τη μπαταρία από το εργαλείο. Βγάλτε τον φορτιστή από την πρίζα πριν τον καθαρίσετε.

**Μετά τη χρήση και πριν την αποθήκευση**

- ◆ Μετά τη χρήση, καθαρίζετε προσεκτικά τις λεπίδες. Μετά τον καθαρισμό, απλώστε μια στρώση ελαφριού λαδιού μηχανής για να αποφύγετε το σκουριασμά των λεπίδων.
- ◆ Να καθαρίζετε τακτικά τις εγχοπές εξαερισμού του εργαλείου σας χρησιμοποιώντας μαλακή βούρτσα ή στεγνό πανί.
- ◆ Να καθαρίζετε τακτικά το περίβλημα του μοτέρ χρησιμοποιώντας ένα υγρό πανί. Non usare materiali abrasivi o detergenti a base di solventi.
- ◆ Βεβαιωθείτε ότι όλοι οι διακόπτες δεν έχουν απορρίμματα πριν και μετά τη χρήση.

**Αποθήκευση**

Όταν το εργαλείο δεν πρόκειται να χρησιμοποιηθεί για μερικούς μήνες, το καλύτερο θα ήταν να αφήσετε τη μπαταρία συνδεδεμένη στο φορτιστή.

Στην αντίθετη περίπτωση, ενεργήστε ως ακολούθως:

- ◆ Φορτίστε πλήρως τη μπαταρία.
- ◆ Αφαιρέστε τη μπαταρία από το εργαλείο.
- ◆ Φυλάξτε το εργαλείο και τη μπαταρία σε ασφαλείς και ξηρό χώρο. Η θερμοκρασία αποθήκευσης θα πρέπει πάντα να κυμαίνεται μεταξύ +10°C και +40°C. Τοποθετήστε τη μπαταρία σε οριζόντια επιφάνεια.
- ◆ Προτού χρησιμοποιήσετε το εργαλείο μετά από μια παρατεταμένη περίοδο αποθήκευσης, φορτίστε πλήρως τη μπαταρία και πάλι.

**Αντιμετώπιση προβλημάτων**

Αν το εργαλείο δεν λειτουργεί σωστά, ελέγξτε τα ακόλουθα:

Πρόβλημα	Πιθανή αιτία	Λύση
Το εργαλείο δεν ξεκινά.	Η μπαταρία δεν έχει εγκατασταθεί σωστά.	Ελέγξτε την εγκατάσταση μπαταρίας.
	Άδεια μπαταρία.	Τοποθετήστε μια φορτισμένη (ολοκληρωτικά) μπαταρία.
	Το κουμπί απασφάλισης δεν έχει πατηθεί.	Παρατηρήστε τη διαδικασία εκκίνησης.
	Οι συνδέσεις μπαταρίας δεν έχουν σφικχτεί σωστά.	Ελέγξτε τις συνδέσεις.



Πρόβλημα	Πιθανή αιτία	Λύση
Η μπαταρία δεν είναι φορτισμένη.	Η μπαταρία δεν έχει εγκατασταθεί σωστά.	Ελέγξτε την εγκατάσταση μπαταρίας.

## Προστασία του περιβάλλοντος



Ξεχωριστή περισυλλογή. Αυτό το προϊόν δεν πρέπει να απορρίπτεται μαζί με τα κοινά οικιακά απορρίμματα.

Εάν κάποια μέρα διαπιστώσετε ότι το προϊόν σας Black & Decker χρειάζεται αντικατάσταση ή ότι δεν το χρειάζεστε άλλο, μην το απορρίψετε μαζί με τα κοινά οικιακά απορρίμματα αλλά κάντε αυτό το προϊόν διαθέσιμο για ξεχωριστή περισυλλογή.



Η ξεχωριστή περισυλλογή των μεταχειρισμένων προϊόντων και των υλικών συσκευασίας επιτρέπει την ανακύκλωση και επαναχρησιμοποίηση των υλικών. Με την επαναχρησιμοποίηση των ανακυκλωμένων υλικών αποτρέπεται η μόλυνση του περιβάλλοντος και μειώνεται η ζήτηση πρώτων υλών.

Οι κανονισμοί που ισχύουν στην περιοχή σας ενδέχεται να προβλέπουν την ξεχωριστή περισυλλογή των ηλεκτρικών συσκευών που προέρχονται από νοικοκυριά σε δημοτικές εγκαταστάσεις ή από τον έμπορο όταν αγοράσετε ένα καινούργιο προϊόν.

Η Black & Decker δίνει τη δυνατότητα ανακύκλωσης των προϊόντων της που έχουν συμπληρώσει τη διάρκεια ζωής τους. Για να χρησιμοποιήσετε αυτήν την υπηρεσία, επιστρέψτε το προϊόν σας σε οποιοδήποτε εξουσιοδοτημένο κέντρο επισκευών, όπου θα το παραλάβουν εκ μέρους μας. Ενημερωθείτε για το πλησιέστερο εξουσιοδοτημένο κέντρο επισκευών της περιοχής σας, επικοινωνώντας με τα γραφεία της Black & Decker στη διεύθυνση που αναγράφεται στο εγχειρίδιο. Επίσης, μια λίστα με τα εξουσιοδοτημένα κέντρα επισκευών της Black & Decker και πλήρεις λεπτομέρειες για τις υπηρεσίες που παρέχονται μετά την πώληση καθώς και στοιχεία επικοινωνίας υπάρχουν στο Διαδίκτυο, στη διεύθυνση: [www.2helpU.com](http://www.2helpU.com).

## Μπαταρίες



Στο τέλος της ωφέλιμης ζωής τους, απορρίψτε τις μπαταρίες με την πρέπουσα φροντίδα για το περιβάλλον μας:

- ♦ Μην βραχυκυκλώνετε τους ακροδέκτες της μπαταρίας.
- ♦ Μην απορρίπτετε την(τις) μπαταρία(ες) στη φωτιά, επειδή μπορεί να προκληθεί κίνδυνος προσωπικού τραυματισμού ή έκρηξη.

- ♦ Χρησιμοποιήστε το εργαλείο μέχρι να αδειάσει εντελώς η μπαταρία και στη συνέχεια αφαιρέστε την από το εργαλείο.
- ♦ Οι μπαταρίες είναι ανακυκλώσιμες. Τοποθετήστε την(τις) μπαταρία(ες) σε κατάλληλη συσκευασία για να εξασφαλίσετε ότι οι ακροδέκτες δεν μπορούν να βραχυκυκλώσουν. Παραδώστε τις σε οποιοδήποτε εξουσιοδοτημένο αντιπρόσωπο επισκευών ή στον πλησιέστερο σταθμό ανακύκλωσης της περιοχής σας.

## Τεχνικά χαρακτηριστικά

GTC1843L H1	
Τάση	Vdc 18
Διαδρομές λεπίδας (χωρίς φορτίο)	min <sup>-1</sup> 1400
Μήκος λεπίδας	cm 43
Διάκενο λεπίδας	mm 12
Χρόνος πέδησης λεπίδας	s <1.0
Βάρος (χωρίς μπαταρία)	kg 3,2

Μπαταρία BL1518	
Τάση	Vdc 18
Ικανότητα	Ah 1,5
Τύπος	Li-Ion

Charger 905531** TYPE 1	
Τάση εισόδου	Vac 230
Τάση εξόδου	Vdc 20,5
Ρεύμα εξόδου	mA 200

Στάθμη πίεσης ήχου σύμφωνα με το πρότυπο EN60745:

$L_{pA}$  (Πίεση ήχου) 82 dB(A), αβεβαιότητα (K) 3 dB(A)  
 $L_{WA}$  (ακουστική ισχύς) 93 dB(A), αβεβαιότητα (K) 3 dB(A)

Συνολικές τιμές δόνησης (διανυσματικό άθροισμα τριών αξόνων) σύμφωνα με το πρότυπο EN 60745:

Τιμή εκπομπής δόνησης ( $a_w$ ) 1.1 m/s<sup>2</sup>,  
αβεβαιότητα (K) 1.5 m/s<sup>2</sup>

## Δήλωση συμμόρφωσης με την Ευρωπαϊκή Κοινότητα ΟΔΗΓΙΑ ΠΕΡΙ ΜΗΧΑΝΗΜΑΤΩΝ



**GTC1843L**

Η Black & Decker δηλώνει ότι αυτά τα προϊόντα που περιγράφονται στον τομέα "τεχνικά χαρακτηριστικά" είναι σε συμμόρφωση με:

2006/42/ΕΚ, EN60745-1, EN60745-2-11

2000/14/ΕΚ, Κλαδέματος θάμνων, 1400 min<sup>-1</sup>, Παράρτημα V

L<sub>WA</sub> (μετρημένη ισχύς ήχου) 93 dB(A),  
αβεβαιότητα (K) 3 dB(A)

L<sub>WA</sub> (εγγυημένη ισχύς ήχου) 95 dB(A),  
αβεβαιότητα (K) 3 dB(A)

Αυτά τα προϊόντα συμμορφώνονται επίσης με την οδηγία 2004/108/ΕΚ.

Για περισσότερες πληροφορίες, παρακαλούμε επικοινωνήστε με την Black & Decker στην παρακάτω διεύθυνση ή ανατρέξτε στο πίσω μέρος του εγχειριδίου.

Ο κάτωθι υπογεγραμμένος είναι υπεύθυνος για την κατάρτιση του τεχνικού φακέλου και δηλώνει τα παρόντα εκ μέρους της Black & Decker.

Kevin Hewitt

Vice-President Global Engineering

Black & Decker Europe, 210 Bath Road, Slough,

Berkshire, SL1 3YD

Ηνωμένο Βασίλειο

19-10-2010

## Εγγύηση

Η Black & Decker είναι σίγουρη για την ποιότητα των προϊόντων της και παρέχει σημαντική εγγύηση. Η παρούσα γραπτή εγγύηση αποτελεί πρόσθετο δικαίωμά σας και δεν ζημιώνει τα νόμιμα δικαιώματά σας. Η εγγύηση ισχύει εντός της επικράτειας των Κρατών Μελών της Ευρωπαϊκής Ένωσης και της Ευρωπαϊκής Ζώνης Ελευθέρων Συναλλαγών.

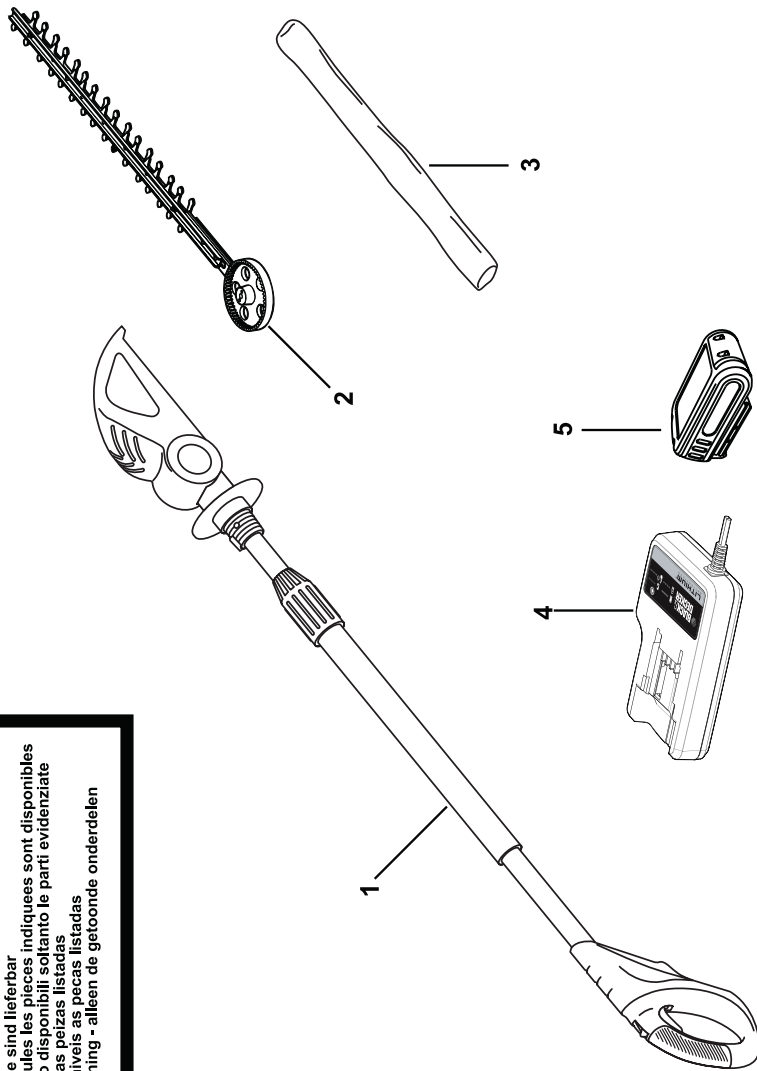
Σε περίπτωση που κάποιο προϊόν της Black & Decker παρουσιάσει βλάβη εξαιτίας ελαττωματικών υλικών, ποιότητας εργασίας ή έλλειψης συμφωνίας με τις προδιαγραφές εντός 24 μηνών από την ημερομηνία αγοράς, η Black & Decker εγγυάται την αντικατάσταση των ελαττωματικών τμημάτων, την επισκευή προϊόντων που έχουν υποστεί εύλογη φθορά λόγω χρήσης ή την αντικατάσταση των προϊόντων προκειμένου να εξασφαλίσει την ελάχιστη ενόχληση στους πελάτες της, εκτός εάν:

- ◆ Το προϊόν έχει χρησιμοποιηθεί σε εργασιακό, επαγγελματικό περιβάλλον ή αν έχει εννοικιαστεί.
- ◆ Έχει γίνει εσφαλμένη χρήση του προϊόντος ή έχει παραμεληθεί.
- ◆ Το προϊόν έχει υποστεί βλάβη από άλλα αντικείμενα, από ουσίες ή λόγω ατυχήματος.
- ◆ Έχει γίνει προσπάθεια επισκευής από μη εξουσιοδοτημένα κέντρα επισκευών ή από προσωπικό που δεν ανήκει στο προσωπικό της Black & Decker.

Για να ισχύσει η εγγύηση, πρέπει να υποβάλετε απόδειξη αγοράς στον πωλητή ή το εξουσιοδοτημένο κέντρο επισκευών. Ενημερωθείτε για το πλησιέστερο εξουσιοδοτημένο κέντρο επισκευών της περιοχής σας, επικοινωνώντας με τα γραφεία της Black & Decker στη διεύθυνση που αναγράφεται στο εγχειρίδιο. Επίσης, για να πληροφορηθείτε για τα εξουσιοδοτημένα κέντρα επισκευών της Black & Decker και τους αρμόδιους των υπηρεσιών που παρέχονται μετά την πώληση, μπορείτε να ανατρέξετε στο Διαδίκτυο, στη διεύθυνση: [www.2helpU.com](http://www.2helpU.com).

Παρακαλούμε επισκεφθείτε την ιστοσελίδα μας [www.blackanddecker.eu](http://www.blackanddecker.eu) για να καταχωρήσετε το νέο σας προϊόν Black & Decker και για να ενημερώνετε για τα νέα προϊόντα και τις ειδικές προσφορές. Περισσότερες πληροφορίες σχετικά με τη μάρκα Black & Decker και τη σειρά των προϊόντων μας θα βρείτε στη διεύθυνση [www.blackanddecker.eu](http://www.blackanddecker.eu).

Partial support - Only parts shown available  
Nur die aufgeführten teile sind lieferbar  
Reparation partielle - Seules les pieces indiquees sont disponibles  
Supporto parziale - Sono disponibili soltanto le parti evidenziate  
Solo estan disponibles las peizas listadas  
So se encontram disponibles as pecas listadas  
Gedeeltelijke ondersteuning - alleen de getoonde onderdelen  
zijn beschikbaar









## ENGLISH

Do not forget to register your product!

[www.blackanddecker.co.uk/productregistration](http://www.blackanddecker.co.uk/productregistration)  
Register your product online at [www.blackanddecker.co.uk/productregistration](http://www.blackanddecker.co.uk/productregistration) or send your name, surname and product code to Black & Decker in your country

## DEUTSCH

Vergessen Sie nicht, Ihr Produkt registrieren zu lassen!

[www.blackanddecker.de/productregistration](http://www.blackanddecker.de/productregistration)  
Lassen Sie Ihr Produkt unter [www.blackanddecker.de/productregistration](http://www.blackanddecker.de/productregistration) online registrieren oder schicken Sie Ihren Nachnamen, Vornamen und den Produktcode an Black & Decker in Ihrem Land.

## FRANÇAIS

N'oubliez pas d'enregistrer votre produit !

[www.blackanddecker.fr/productregistration](http://www.blackanddecker.fr/productregistration)  
Enregistrez votre produit en ligne sur [www.blackanddecker.fr/productregistration](http://www.blackanddecker.fr/productregistration) ou envoyez vos nom, prénom et code produit à Black & Decker dans votre pays.

## ITALIANO

Non dimenticate di registrare il prodotto!

[www.blackanddecker.it/productregistration](http://www.blackanddecker.it/productregistration)  
Registrate il prodotto online su [www.blackanddecker.it/productregistration](http://www.blackanddecker.it/productregistration) o inviate nome, cognome e codice del prodotto al centro Black & Decker del vostro paese.

## NEDERLANDS

Vergeet niet uw product te registreren!

[www.blackanddecker.nl/productregistration](http://www.blackanddecker.nl/productregistration)  
U kunt uw product online registreren op [www.blackanddecker.nl/productregistration](http://www.blackanddecker.nl/productregistration) of u kunt uw voornaam, achternaam en productcode opsturen naar Black & Decker in uw land.

## ESPAÑOL

¡No olvide registrar su producto!

[www.blackanddecker.es/productregistration](http://www.blackanddecker.es/productregistration)  
Registre su producto on-line en [www.blackanddecker.es/productregistration](http://www.blackanddecker.es/productregistration) o envíe su nombre, apellidos y código de producto a Black & Decker en su país.

## PORTUGUÊS

Não se esqueça de registar o seu produto!

[www.blackanddecker.pt/productregistration](http://www.blackanddecker.pt/productregistration)  
Registe o seu produto online em [www.blackanddecker.pt/productregistration](http://www.blackanddecker.pt/productregistration) ou envie o seu nome, apelido e código do produto para a Black & Decker no seu país.

## SVENSKA

Glöm inte att registrera produkten!

[www.blackanddecker.se/productregistration](http://www.blackanddecker.se/productregistration)  
Registrera produkten online på [www.blackanddecker.se/productregistration](http://www.blackanddecker.se/productregistration) eller skicka namn och produktkod till Black & Decker i landet du bor i.

## NORSK

Ikke glem å registrere produktet ditt!

[www.blackanddecker.no/productregistration](http://www.blackanddecker.no/productregistration)  
Registrer produktet ditt online på [www.blackanddecker.no/productregistration](http://www.blackanddecker.no/productregistration), eller send ditt navn, etternavn og produktkode til Black & Decker i ditt eget land.

## DANSK

Glem ikke at registrere dit produkt!

[www.blackanddecker.dk/productregistration](http://www.blackanddecker.dk/productregistration)  
Registrer dit produkt på internettet på: [www.blackanddecker.dk/productregistration](http://www.blackanddecker.dk/productregistration) eller send dit navn, efternavn og produktkode til Black & Decker i dit eget land.

## SUOMI

Muistathan rekisteröidä tuotteesi!

[www.blackanddecker.fi/productregistration](http://www.blackanddecker.fi/productregistration)  
Rekisteröi tuotteesi verkossa osoitteessa [www.blackanddecker.fi/productregistration](http://www.blackanddecker.fi/productregistration) tai läheta etunimesi, sukunimesi ja tuotekoodi oman maasi Black & Decker -edustajalle.

## ΕΛΛΗΝΙΚΑ

Μην ξεχάσετε να καταχωρίσετε το προϊόν σας!

[www.blackanddecker.gr/productregistration](http://www.blackanddecker.gr/productregistration)  
Καταχωρίστε το προϊόν σας σε σύνδεση στη σελίδα [www.blackanddecker.gr/productregistration](http://www.blackanddecker.gr/productregistration) ή στείλτε το όνομα, επίθετο σας και τον κωδικό πρωτονός στη Black & Decker στη χώρα σας.

<b>België/Belgique</b>	Black & Decker (Belgium) N.V. Nieuwlandlaan 321 3200 Aarschot	Tel. Fax	016 68 91 00 016 68 91 11
<b>Danmark</b>	Black & Decker Sluseholmen 2-4, 2450 København SV Internet: www.blackanddecker.dk	Tel. Fax	70 20 15 10 70 22 49 10
<b>Deutschland</b>	Black & Decker GmbH Black & Decker Str. 40, D - 65510 Idstein	Tel. Fax	06126/21 - 0 06126/21 29 80
<b>Ελλάδα</b>	Black & Decker (Ελλάς) Α.Ε. Στράβωνος 7 & Λεωφ. Βουλιαγμένης 159 166 74 Γλυφάδα - Αθήνα	Τηλ. Φαξ www.blackanddecker.eu	210 8981616 210 8983285
<b>España</b>	Black & Decker Ibérica, S.C.A. Parc de Negocis "Mas Blau" Edificio Muntadas, c/Bergadá, 1, Of. A6 08820 El Prat de Llobregat (Barcelona)	Tel. Fax	934 797 400 934 797 419
<b>France</b>	Black & Decker (France) S.A.S. B.P. 21, 69571 Dardilly Cédex	Tel. Fax	04 72 20 39 20 04 72 20 39 00
<b>Helvetia</b>	ROFO AG Gewerbezone Seeblick 3213 Kleinbösingen	Tel. Fax	026-6749391 026-6749394
<b>Italia</b>	Black & Decker Italia SpA Viale Elvezia 2 20052 Monza (MI)	Tel. Fax Numero verde	039-23871 039-2387592/2387594 800-213935
<b>Nederland</b>	Black & Decker Benelux Joulehof 12, 4622 RG Bergen op Zoom	Tel. Fax	0164 - 283000 0164 - 283100
<b>Norge</b>	Black & Decker (Norge) A/S Postboks 4814, Nydalen, 0422 Oslo Internet: www.blackanddecker.no	Tlf. Fax	22 90 99 00 22 90 99 01
<b>Österreich</b>	Black & Decker Vertriebsges.m.b.H Oberlaaerstraße 246, A1100 Wien	Tel. Fax	01 66116-0 01 66116-14
<b>Portugal</b>	Black & Decker Rua Egas Moniz 173 S. João do Estoril 2766-651 Estoril	Tel. Fax	214667500 214667580
<b>Suomi</b>	Black & Decker Oy Keilasatama 3, 02150 Espoo Black & Decker Oy, Kägelhamnen 3, 02150 Esbo	Puh. Faksi Tel. Fax	010 400 430 (09) 2510 7100 010 400 430 (09) 2510 7100
<b>Sverige</b>	Black & Decker AB Fabriksg. 7, 412 50 Göteborg	Tel. Fax	031-68 60 60 031-68 60 80
<b>United Kingdom</b>	Black & Decker 210 Bath Road Slough, Berkshire SL1 3YD	Tel. Fax Helpline	01753 511234 01753 551155 01753 574277
<b>Middle East &amp; Africa</b>	Black & Decker (Overseas) A.G. PB 5420, Dubai, United Arab Emirates	Tel. Fax	+971 4 2826464 +971 4 2826466