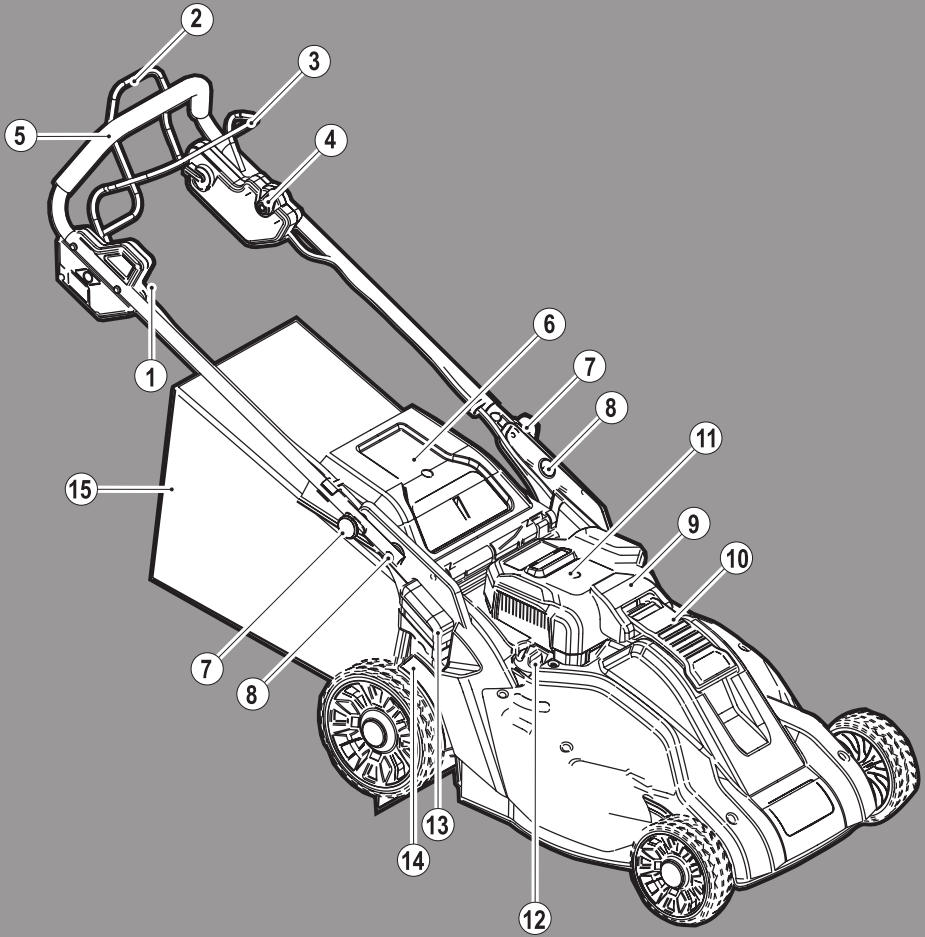




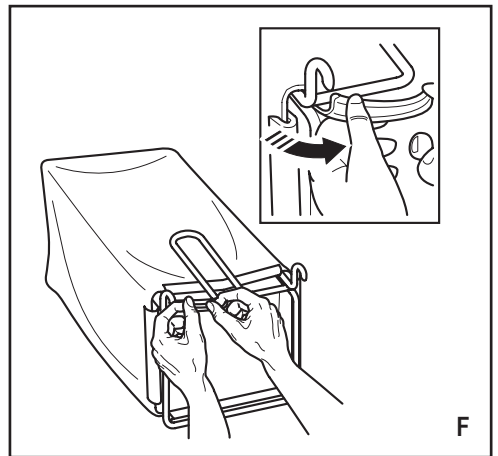
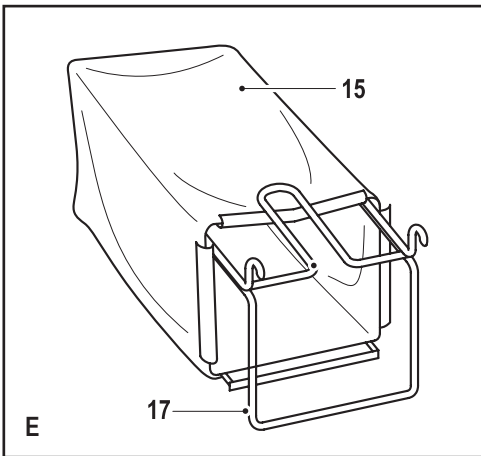
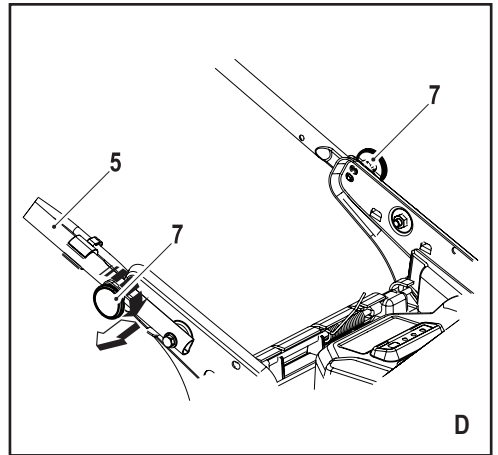
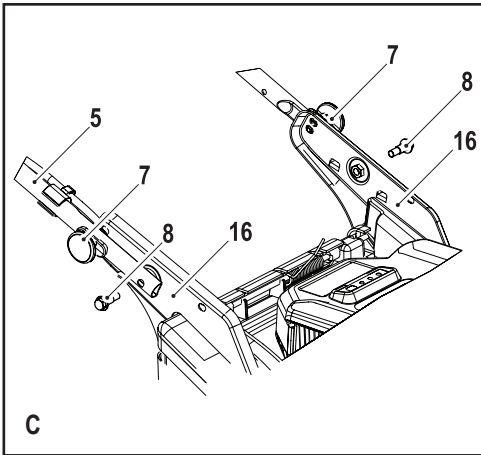
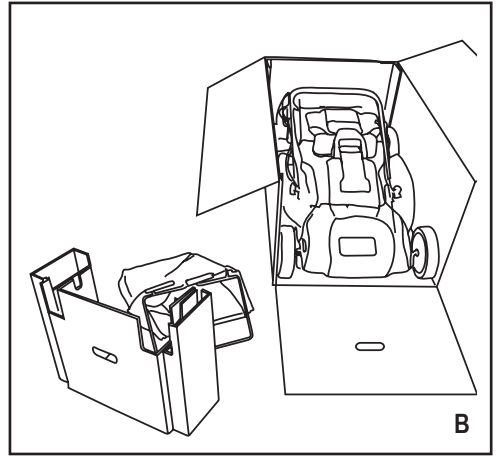
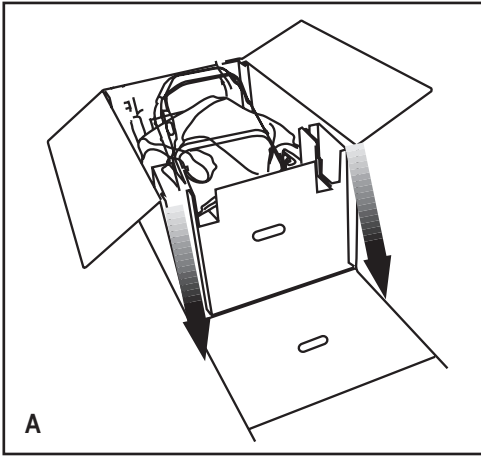
BLACK & DECKER®

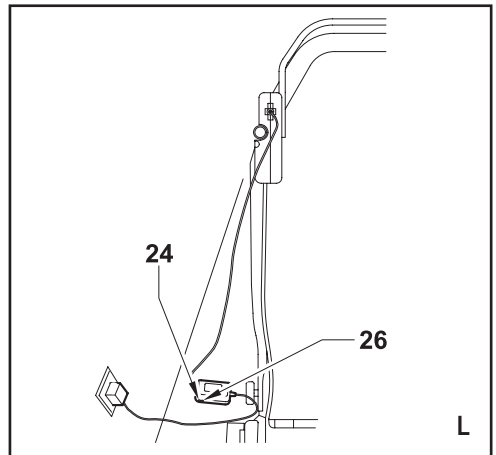
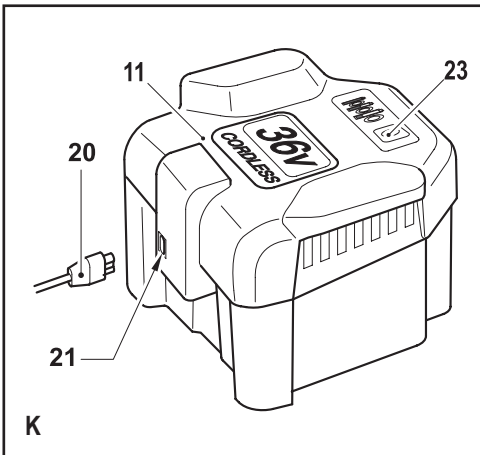
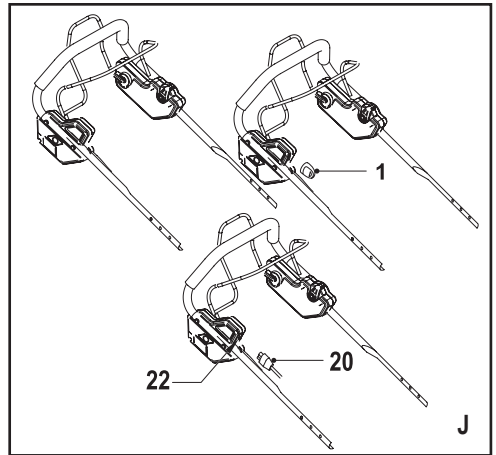
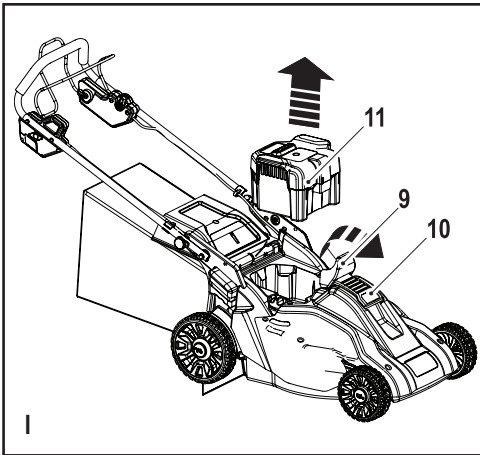
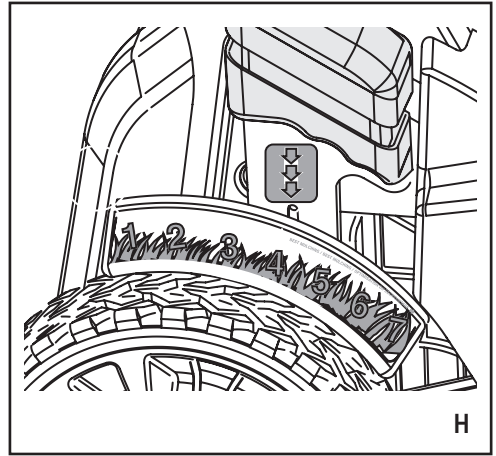
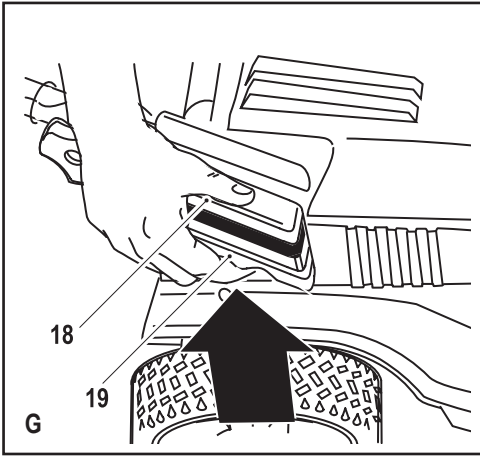
EN

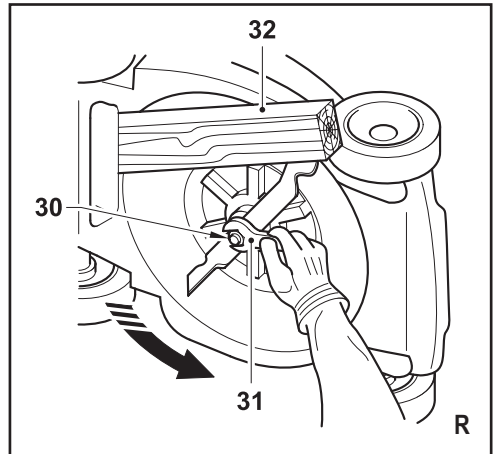
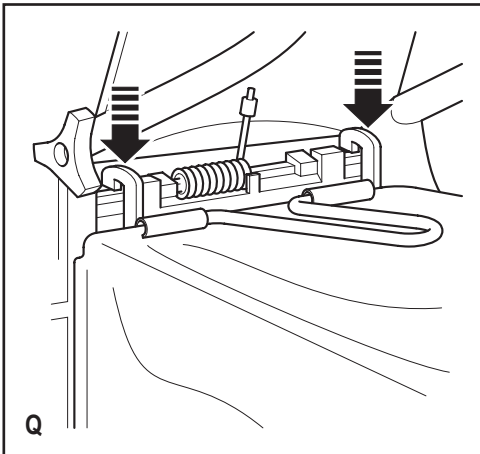
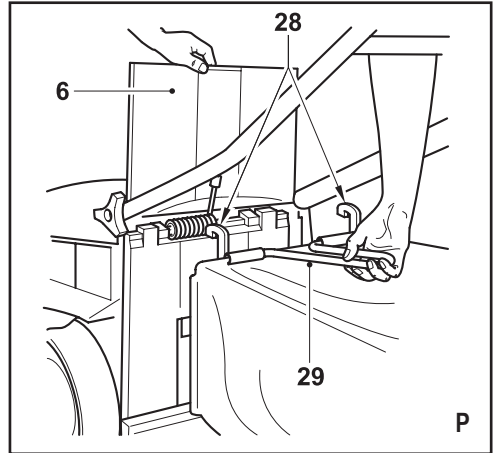
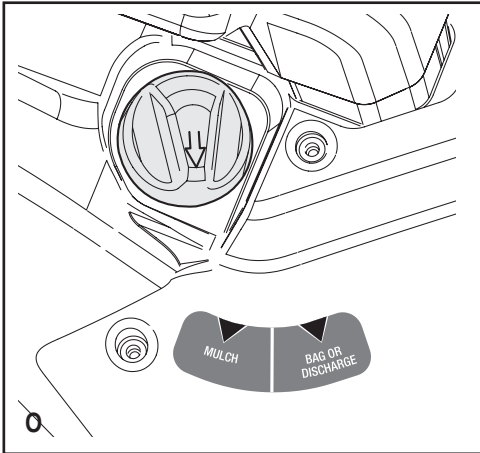
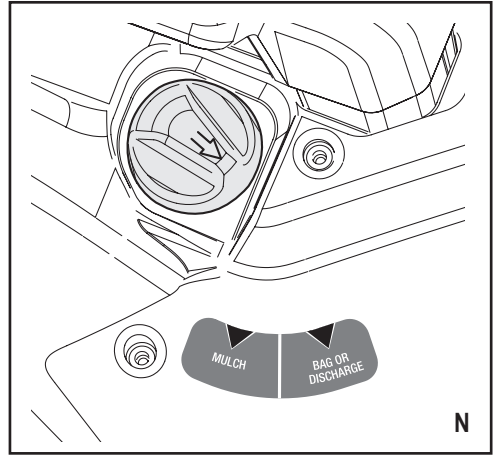
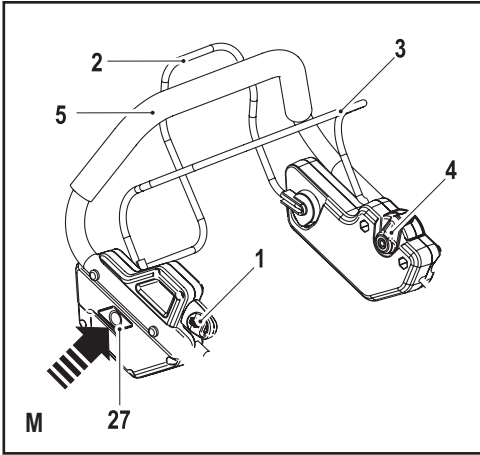


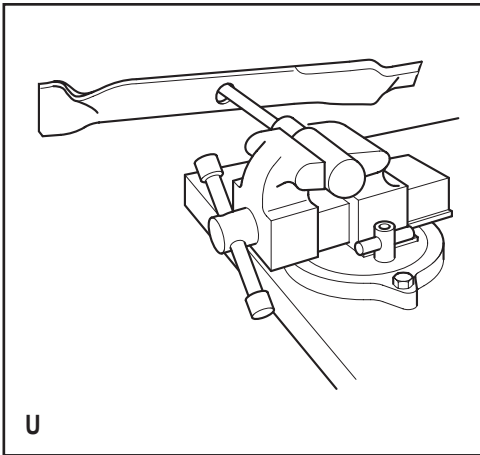
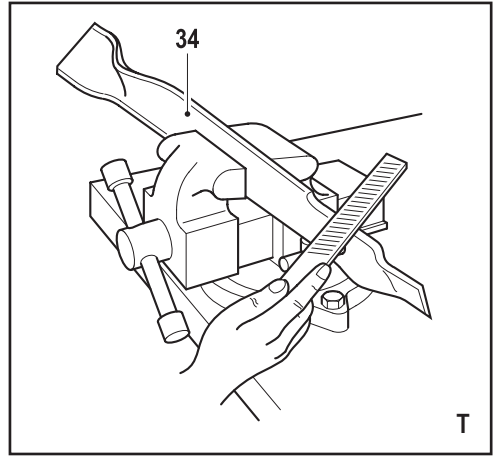
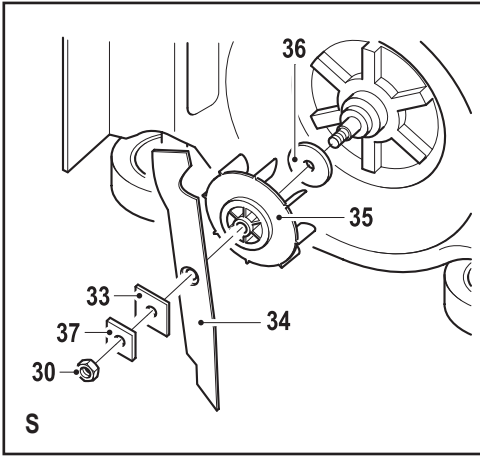
www.blackanddecker.co.uk

GRC4736SD









Intended use

Your Black & Decker mower has been designed for mowing grass. This appliance is intended for consumer use only.

Safety instructions

Warning! When using cordless appliances, basic safety precautions, including the following, should always be followed to reduce the risk of fire, electric shock, personal injury and material damage.

Warning! When using the machine the safety rules must be followed. For your own safety and bystanders please read these instructions before operating the machine. Please keep the instructions safe for later use.

- ◆ Read all of this manual carefully before operating the appliance.
- ◆ The intended use is described in this manual. The use of any accessory or attachment or the performance of any operation with this appliance other than those recommended in this instruction manual may present a risk of personal injury.
- ◆ Retain this manual for future reference.

Using your appliance

Always take care when using the appliance.

- ◆ This appliance is not intended for use by young or infirm persons without supervision.
- ◆ The appliance is not to be used as a toy.
- ◆ Do not allow children or animals to come near the work area or touch the appliance or power supply cord.
- ◆ Close supervision is necessary when the appliance is used near children.
- ◆ Use in a dry location only. Do not allow the appliance to become wet.
- ◆ Do not immerse the appliance in water.
- ◆ Do not open body casing. There are no userserviceable parts inside.
- ◆ Do not operate the appliance in explosive atmospheres, such as in the presence of flammable liquids, gases or dust.
- ◆ To reduce the risk of damage to plugs and cords never pull the cable to remove the plug from a socket.

After use

- ◆ When not in use, the appliance should be stored in a dry, well ventilated place out of the reach of children.
- ◆ Children should not have access to stored appliances.
- ◆ When the appliance is stored or transported in a vehicle it should be placed in the boot or restrained to prevent movement following sudden changes in speed or direction.

Inspection and repairs

- ◆ Before use, check the appliance for damaged or defective parts. Check for breakage of parts, damage to switches and any other conditions that may affect its operation.
- ◆ Do not use the appliance if any part is damaged or defective.
- ◆ Have any damaged or defective parts repaired or replaced by an authorised repair agent.
- ◆ Never attempt to remove or replace any parts other than those specified in this manual.

Additional safety instructions for lawnmowers

- ◆ Firmly grip handle with both hands when operating the lawnmower.
- ◆ If at any time it is felt necessary to tilt the lawnmower, make sure that both hands remain in the operating position while the lawnmower is tilted. Keep both hands in the operating position until the lawnmower is returned to rest correctly on the ground.
- ◆ Never wear radio or music headphones while operating the lawnmower.
- ◆ Never attempt to make a wheel height adjustment while the motor is running or while the safety key is in the switch housing.
- ◆ If the lawnmower stalls, release bail bar to turn mower off, wait for blade to stop and remove the safety key, before attempting to unplug the chute or remove anything from under the deck.
- ◆ Keep hands and feet away from cutting area.
- ◆ Keep blades sharp. Always use protective gloves when handling the lawnmower blade.
- ◆ If you are using the grass bag (15), check it frequently for wear and deterioration. If excessively worn, replace with a new bag for your safety.
- ◆ Use extreme caution when reversing or pulling the lawnmower towards you.
- ◆ Do not put hands or feet near or under the lawnmower. Keep clear of the discharger opening at all times.
- ◆ Clear the area where the lawnmower is to be used of objects such as rocks, sticks, wire, toys, bones etc., which could be thrown by the blade. Objects struck by the blade can cause severe injury to persons. Stay behind the handle when the motor is running.
- ◆ Do not operate the lawnmower barefooted or while wearing sandals. Always wear substantial footwear.
- ◆ Do not pull lawnmower backward unless absolutely necessary. Always look down and behind before and while moving backward.
- ◆ Never direct discharged material toward anyone. Avoid discharging material against a wall or obstruction. Material may ricochet back toward the operator. Release the bail bar to turn the lawnmower off and stop the blade when crossing gravel surfaces.

- ◆ Do not operate the lawnmower without the entire grass bag, discharge guard, rear guard, or other safety protective devices in place and working. Periodically check all guards and safety protective devices to ensure they are in good working order and will operate properly and perform their intended function. Replace a damaged guard or other safety device before further use.
- ◆ Never leave a running lawnmower unattended. Always remove the safety key if the lawnmower is going to be left unattended.
- ◆ Always release the bail bar to stop the motor and wait until the blade comes to a complete stop and remove the safety key before cleaning the lawnmower, removing the grass bag, unlogging the discharge guard, when leaving the lawnmower, or before making any adjustments, repairs or inspections.
- ◆ Operate lawnmower only in daylight or good artificial light when objects in the path of the blade are clearly visible from the operating area of the lawnmower.
- ◆ Do not operate the lawnmower while under the influence of alcohol or drugs, or when you are tired or ill. Always stay alert, watch what you are doing, and use common sense.
- ◆ Avoid dangerous environments. Never operate the lawnmower in damp or wet grass, never use lawnmower in the rain. Always be sure of your footing, walk, never run.
- ◆ If the lawnmower should start to vibrate abnormally, release the bail bar, wait for the blade to stop and remove the safety key, then check for the cause immediately. Vibration is generally a warning of trouble, see the troubleshooting guide for advise in the case of abnormal vibration.
- ◆ Always wear proper eye and respiratory protection when operating the lawnmower.
- ◆ The use of any accessory or attachment not recommended for use with this lawnmower could be hazardous. Only use accessories approved by Black & Decker.
- ◆ Never overreach while operating the lawnmower. Always be sure to keep proper footing and balance at all times while operating the lawnmower.
- ◆ Mow across the face of slopes, never up and down. Exercise extreme caution when changing direction on slopes.
- ◆ Watch for holes, ruts, bumps, rocks or other hidden objects. Uneven terrain could cause a slip and fall accident. Tall grass can hide obstacles.
- ◆ Do not mow on wet grass or excessively steep slopes. Poor footing could cause a slip and fall accident.
- ◆ Do not mow near drop-offs, ditches, or embankments. You could lose your footing or balance.

Safety of others

- ◆ This appliance is not intended for use by persons (including children) with reduced physical, sensory or mental capabilities, or lack of experience and knowledge, unless they have been given supervision or instruction concerning use of the appliance by a person responsible for their safety.
- ◆ Children must be supervised to ensure that they do not play with the appliance.

Residual risks.

Additional residual risks may arise when using the tool which may not be included in the enclosed safety warnings. These risks can arise from misuse, prolonged use etc.

Even with the application of the relevant safety regulations and the implementation of safety devices, certain residual risks can not be avoided. These include:

- ◆ **Injuries caused by touching any rotating/moving parts.**
- ◆ **Injuries caused when changing any parts, blades or accessories.**
- ◆ **Injuries caused by prolonged use of a tool. When using any tool for prolonged periods ensure you take regular breaks.**
- ◆ **Impairment of hearing.**
- ◆ **Health hazards caused by breathing dust developed when using your tool (example:- working with wood, especially oak, beech and MDF.)**

Warning symbols

The following warning symbols are found on the appliance:



Warning! Read the manual prior to operation.



Do not expose the appliance to rain or high humidity.



Beware of sharp blades.

Always remove the safety key before cleaning the lawnmower, removing the grass bag, unlogging the discharge guard, when leaving the lawnmower, or before making any adjustments, repairs or inspections.



Beware of flying objects. Keep bystanders away from the cutting area.



Wear eye protection



The blades will continue to rotate after the machine is switched off.



Directive 2000/14/EC guaranteed sound power.

Additional safety instructions for batteries and chargers

Batteries

- ◆ Never attempt to open for any reason.
- ◆ Do not expose the battery to water.
- ◆ Do not expose the battery to heat.
- ◆ Do not store in locations where the temperature may exceed 40 °C.
- ◆ Charge only at ambient temperatures between 10 °C and 40 °C.
- ◆ Charge only using the charger provided with the appliance/tool. Using the wrong charger could result in an electric shock or overheating of the battery.
- ◆ When disposing of batteries, follow the instructions given in the section "Protecting the environment".
- ◆ Do not damage/deform the battery pack either by puncture or impact, as this may create a risk of injury and fire.
- ◆ Do not charge damaged batteries.
- ◆ Under extreme conditions, battery leakage may occur. When you notice liquid on the batteries carefully wipe the liquid off using a cloth. Avoid skin contact.
- ◆ In case of skin or eye contact, follow the instructions below.

Warning! The battery fluid may cause personal injury or damage to property. In case of skin contact, immediately rinse with water. If redness, pain or irritation occurs seek medical attention. In case of eye contact, rinse immediately with clean water and seek medical attention.

Do not attempt to charge damaged batteries.



Chargers

Your charger has been designed for a specific voltage. Always check that the mains voltage corresponds to the voltage on the rating plate.

Warning! Never attempt to replace the charger unit with a regular mains plug.

- ◆ Use your Black & Decker charger only to charge the battery in the appliance/tool with which it was supplied. Other batteries could burst, causing personal injury and damage.
- ◆ Never attempt to charge non-rechargeable batteries.
- ◆ If the supply cord is damaged, it must be replaced by the manufacturer or an authorised Black & Decker Service Centre in order to avoid a hazard.
- ◆ Do not expose the charger to water.
- ◆ Do not open the charger.
- ◆ Do not probe the charger.
- ◆ The appliance/tool/battery must be placed in a well ventilated area when charging.



The charger is intended for indoor use only.



Read the instruction manual before use.

Electrical safety



Your charger is double insulated; therefore no earth wire is required. Always check that the mains voltage corresponds to the voltage on the rating plate. Never attempt to replace the charger unit with a regular mains plug.

- ◆ If the supply cord is damaged, it must be replaced by the manufacturer or an authorised Black & Decker Service Centre in order to avoid a hazard.

Features

This appliance includes some or all of the following features.

1. Safety key
2. Bail bar
3. Self drive bail handle
4. Speed control lever
5. Handle bar
6. Spring loaded rear door
7. Handle adjust knob
8. Handle attachment bolts
9. Battery clasp
10. Battery lever
11. Removable battery
12. Mulch - On Demand knob
13. Cutting height lever
14. Cutting height indicator
15. Grass bag

Assembly

Warning! Before assembly, make sure that the tool is switched off and unplugged.

Unpacking (fig. A & B)

Warning! Pinch point - to avoid being pinched, keep fingers away from the area between the handle and the plates.

- ◆ Carefully cut down the sides of the box on the opposite end of the handle and fold the flap down as shown.
- ◆ With the carton side cut open, remove the cardboard filler, charger, accessory bag and grass bag and push the mower out of the opened carton.

Warning! Sharp moving blade. Keep body parts away from the blade.

Handle assembly (fig. C)

Tools required for assembly, not supplied: Adjustable or 1/2 inch (13mm) wrench.:

- ◆ Position the handle so that the handle (5) holes line up with the plate (16) holes. The handle quick adjust knobs (7) will line up with the side plate (16) top holes.
- ◆ Place handle attachment bolts (8) through the handle (5) holes and thread into the plate (16). Before tightening repeat for other side.
- ◆ Tighten handle attachment bolts (8) securely using adjustable or 1/2 inch (13mm) wrench.
- ◆ To set desired handle height refer to handle adjustment. Do not push or use mower unless handle is properly fastened and secured to mower.

Warning! Pinch point - to avoid being pinched, keep fingers away from the area between the handle (5) and the plates (16).

Handle adjustment (fig. D)

Your mower has a variable height handle adjustment feature. To adjust the handle position to suit your height preference, use the following procedure:

- ◆ Hold handle (5) with one hand, pull out and rotate one handle adjust knob (7) a quarter-turn to release the pin from the metal plate hole.
- ◆ Repeat for the opposite side. Now the handle (5) is free to move into another handle height position.
- ◆ Move the handle to desired height position.
- ◆ Pull out and rotate one handle adjust knob (7) a quarter-turn to re-engage the pin in the metal plate hole, repeat for the opposite side.

Assembling the grass bag (fig. E & F)

- ◆ Slide the grass bag (15) onto the frame (17).
- ◆ Assemble the top clips of the grass bag to the frame.
- ◆ Assemble the two side clips to the frame, followed by the bottom clip.

Wheel height adjustment (fig. G & H)

Your mower features the Black & Decker One-Touch Wheel-Height adjustment system. This system will adjust all four wheels at the same time.

The mower has seven blade height adjustment positions (38 mm to 89 mm). Refer to the scale and pointer at the front of the mower. The pointer will indicate the height setting for cutting your lawn. This setting can be a reference for the next time you want to cut your lawn to the same height.

- ◆ Release the bail bar (3) to turn the lawnmower off, wait until the blade stops and remove the safety key (1).
- ◆ To raise or lower the cutting height, place the palm of your hand on the palm rest (18) and with your fingers, squeeze upward on the finger grip (19) and hold.
- ◆ While holding the finger grip (19), raise or lower the cutting height as required. The height indicator will show the current setting (fig. H).
- ◆ When the mower is at the required height, hold it in place with your left hand on the lower right handle bar and release the finger grip (19) to lock the height adjustment.

Note: To make sure that the mower is securely locked in one of the eight positions, press down on the palm rest after releasing the finger grip.

Removing and fitting the battery (fig. I & K)

The battery pack (11) can be removed from the mower for storage/charging or left in the mower for charging.

Before removing the battery:

- ◆ Place the mower on level ground.
- ◆ Release the bail bar (3) to turn the mower off, wait for the blade to stop and remove the safety key (1).

To remove the battery:

- ◆ Lift the battery lever (10) to release the battery clasp (9) and then pull it back away from the battery pack. Lift the battery pack out.

To fit the battery

Before installation of the battery pack, make sure that the mower is clear of debris and the charger connector (20) is disconnected from the battery pack (11).

- ◆ Slide the battery pack into the mower. (the battery will only fit one way.)
- ◆ Secure the battery in the mower by clipping the battery clasp (9) over the edge of the battery (11) and then pushing down the battery lever (10) until it clicks into place.

Use

Warning! Let the appliance work at its own pace. Do not overload.

Charging the battery (fig. J - L)

Note: Charge the battery before first use.

The battery can either be removed from the mower for charging or can be charged while in place.

- ◆ Release the bail bar (3) to turn the lawnmower off, wait until the blade stops and remove the safety key (1).
- ◆ Align the green (+) and white (-) connectors and insert the charger plug (20) into the receptacle (22) on the mower or remove the battery and insert the charger plug (20) into the receptacle (21) on the battery.
- ◆ The charger connector (20) can only be plugged into the mower receptacle one way.
- ◆ Insert the 240 Volt plug of the charger into a mains power socket (fig. L).
- ◆ The red light (26) on the charger (24) will come on to indicate that the battery is being charged. If the red light is not on, check that the charger connector is aligned correctly.
- ◆ When charging is complete the red light (26) will go off and the green light will come on.

It will take approximately 16 hours to charge a fully discharged battery.

It is recommended to leave the battery on permanent charge between uses for optimum performance during the mowing season.

The charger supplied with this product is intended to be plugged in such that it is correctly orientated in a vertical or floor mount position.

State of charge indicator (fig. K)

The battery is fitted with a state of charge indicator. This can be used to display the current level of charge in the battery during use.

- ◆ Press the state of charge indicator button (23).

Safety key

Remove the safety key:

- ◆ Whenever leaving the appliance unattended.
- ◆ Before cleaning a blockage.
- ◆ Before checking, cleaning or working on the appliance.
- ◆ After striking a foreign object.
- ◆ Whenever the appliance starts vibrating abnormally.

Switching on and off

Warning! Sharp moving blade. Never attempt to override the operation of this switch and safety key system as a serious injury could result.

Switching on (fig. M)

- ◆ Insert the safety key (1) fully into the switch housing.
- ◆ Push the button (27) on the side of the switch housing.
- ◆ Pull the blade bail bar (3) toward the handle bar (5).

Switching off (fig. M)

- ◆ To turn the lawnmower off, release the blade bail bar (3).

When the bail bar (3) has returned to the original position it will activate the automatic braking mechanism. The motor is electrically braked and the lawnmower blade will stop rotating in 3 seconds or less.

Variable speed self drive (fig. M)

Your lawnmower is equipped with variable speed self drive. Self drive is independent from the blade On-Off switch. It can be used with or without the blade spinning. For example, when you have completed cutting your lawn, you can use the self drive to propel the mower back to your storage location without having the blade motor on.

To operate self drive without the blade spinning:

- ◆ Insert the safety key (1) fully into the switch housing.
- ◆ Push the self drive bail handle (2) to the handle bar (5).
- ◆ To turn the self drive off, release the self drive bail handle.

Note Self drive is variable speed. You can select the speed by moving the selector lever (4). As you move the selector lever forward, the speed will increase. Moving the selector lever in a reverse direction, will decrease the speed.

To operate self drive with the blade spinning:

- ◆ Insert the safety key (1) fully into the switch housing.
- ◆ Push the button (27) on side of switch housing, then pull the blade bail handle (3) to the handlebar (5).

- ◆ Hold the blade bail handle in place against handlebar with your right hand. Now push the self drive bail handle (2) to the handlebar (5) with your left hand.
- ◆ You can hold both bail bars simultaneously against the handlebar with your left hand.

Note When you turn off the self drive, for example at the end of a row, it may become temporarily locked if you pull backwards on the mower. Temporarily push ahead slightly and then move the mower as required.

Note During cutting, at times it may be easier to manoeuvre around an object, such as a tree or plants, with the self drive off. The mower can easily be used with the self drive off.

"ON-DEMAND" mulching (fig. N & O)

The lawnmower is equipped with an On-Demand feature that allows the conversion of mulching to bagging or discharging with the turn of a knob.:

- ◆ Release the bail bar (3) to turn the lawnmower off, wait until the blade stops and remove the safety key (1).

Discharge Mode:

- ◆ Remove the grass catcher.
- ◆ Ensure the rear discharge door rests firmly against the deck.
- ◆ Press and turn the On-Demand knob so that it is in-line with the word "DISCHARGE" (fig N).

Note Your mower is now in rear discharge mode. The cut grass will be deposited below the closed door exit onto the lawn.

Bagging Mode:

- ◆ Install the grass catcher.
- ◆ Ensure the rear discharge door rests firmly against the top of the grass catcher.
- ◆ Press and turn the On-Demand knob so that it is in-line with the word "BAG" (see figure N).

Note Your mower is now in Bagging mode. To change to rear discharge mode at this point, just remove the grass catcher.

Mulching Mode:

- ◆ To convert to mulch mode press and turn the On-Demand knob so that it is in-line with the word "MULCH" (see figure O). Your mower is now in mulch mode.

Note If it becomes difficult to rotate the On-Demand knob, it may be necessary to clean out the deck chute.

- ◆ Release the blade bail handle to turn mower off and wait for the blade to come to a complete stop. Then remove safety key and battery pack.
- ◆ Hold the rear discharge door open, and clean out any debris that may be in the deck chute. Also clean the deck bottom as necessary.

Installing the grass bag (fig. P & Q)

- ◆ Release the blade bail bar (3) to turn the lawnmower off, wait until the blade stops and remove the safety key (1).
- ◆ Open the spring-loaded rear discharge door (6) to the vertical position and hold it in the open position.
- ◆ Use the handle (29) on the grass bag (15) and install the grass bag between the mower handles.
- ◆ Position the grass bag hanger hooks on to the mower (fig Q).
- ◆ Release the rear discharge door (6).

Hints for optimum use

Lawns should first be mowed in the spring when the grass is about 63 mm to 76 mm high. Mowing too early in the season restricts the root systems of the grass which renew themselves every spring. New grass should be mowed when it is about 63 mm high.

Do not remove too much grass blade surface at one time, never more than 1/3 of the leaf height during each cutting. Cutting too close 'shocks' sensitive grass blades, resulting in a shallow root system making it more difficult for your lawn to reach water in the soil.

Mow your lawn when it is dry to avoid clumping of wet grass. If you have a choice, late afternoon is the ideal time for mowing, not only because the grass is dry, but also because the sensitive new cut area of the grass will not be exposed to intense sunlight.

Keep the mowing blade sharp for a nice clean cut. This improves the mower's performance and enhances the look of your lawn. A dull blade shatters and bruises the tips of the grass. This impairs the healthy growth of your lawn and increases the susceptibility to turf diseases. If the grass tips are bruised it causes a brownish colour which gives your lawn an unhealthy appearance. A dull blade may also pull up young grass seedlings.

Try to mow your lawn at a consistent cutting height. While there are times when you should vary the cutting height with the changing seasons, a consistent cutting height produces a healthier, lovelier lawn with generally fewer weeds. Mow more frequently during periods of fast growth. Frequent cutting ensures that the lower, less attractive portion of the grass will not show.

If your lawn has grown too long, during a vacation for example, mow at a cutting height one or two positions higher than normal. A second pass at your usual cutting height a few days later will put your lawn back on schedule. Changing the cutting height is a simple matter with Black & Decker's One Touch Wheel Height Adjustment, which simultaneously adjusts all four wheels at once.

During the spring and autumn, or after an interruption to the cutting schedule, the grass will be longer and thicker. If the motor continually slows down while cutting, try setting the wheels for a higher cutting height. Excessive motor loading can result in uneven cutting, quicker discharge of the battery and can cause the motor to overload which stops the motor.

There are three good ways to enhance your lawn's appearance: Vary the mowing direction frequently; mow horizontally on hillsides; (this is also a good safety practice) and do not forget to overlap the mowing path on each pass. Always mow grass so that clippings are discharged onto cut lawn. This will keep your lawn looking fresh by avoiding 'cut grass' build-up which will eventually turn brown and appear ugly. This method also preserves your battery charge, making sure that you get the most from your Black & Decker cordless power mower.

During the spring and autumn seasons when the grass is longer and thicker, you can use your mower without the battery being fully charged (ie the green charge indication light is on). This will enable you to perform short cutting tasks, however we don't recommend that this is done frequently. The battery and mower perform much better when fully charged.

Mowing tips

Note Always inspect the area where the lawnmower is to be used and remove all stones, sticks, wire, bones and other debris which could be thrown by the rotating blade.

- ◆ Mow across the face of slopes, never up-and-down. Exercise extreme caution when changing direction on slopes. Do not mow excessively steep slopes. Always maintain a good footing.
- ◆ Release the bail bar (3) to turn the lawnmower off when crossing any gravel area as stones can be thrown by the rotating blade.
- ◆ Set the lawnmower at the highest cutting height when mowing in rough ground or in tall weeds. Removing too much grass at one time may cause the motor to overload which will stop the lawnmower. Refer to the troubleshooting guide.

If the grass bag (15) is used during the fast growing season, the grass may tend to clog up at the discharge opening.

- ◆ Release the bail bar (3) to turn the lawnmower off and remove the safety key (1).
- ◆ Remove the grass bag (15) and shake the grass to the back of the bag.
- ◆ Clean out any grass or debris which may be packed around the discharge opening.
- ◆ Refit the grass bag (15).

If the lawnmower starts to vibrate abnormally:

- ◆ Release the bail bar (3) immediately to turn the lawnmower off and remove the safety key (1) and the battery pack (11).
- ◆ Investigate the cause of the vibration. Vibration is a warning. Do not operate the lawnmower until a service check has been made. Refer to the troubleshooting guide in the manual.

Note Always release the bail bar to turn the lawnmower off and remove the safety key when leaving it unattended even for a short period of time.

The following suggestions will help you to obtain optimum run-time from your cordless mower:

- ◆ Slow down in areas where the grass is especially long or thick.
- ◆ When mulching, avoid cutting more than 38 mm of the length at any one time.
- ◆ Avoid mowing when the grass is wet.
- ◆ Cut your lawn frequently, especially during periods of high growth.

Note It is recommended that your lawnmower be recharged after each use. Frequent charging will not harm the battery and will make sure that the battery is fully charged.

Mulching mowing tips

When mulching, your lawnmower is designed to cut the grass clippings into small pieces and distribute them back into the lawn. Under normal conditions, the mulched grass will bio-degrade quickly to provide nutrients to the lawn.

Recommendations for optimum mulching performance:

- ◆ Avoid mowing when the grass is wet. Wet grass may form clumps which interfere with the mulching action and reduce run time. The best time to mow grass is in the afternoon when the grass is dry and the newly cut area will not be exposed to direct sunlight.
- ◆ For best mulching performance, set the cutting height to remove about one third of the grass length, ideally no more than 38 mm at one time. If the lawn is overgrown, it may be necessary to increase the cutting height to reduce the pushing effort and to prevent overloading the motor.
- ◆ For extremely heavy mulching, it is advisable to first cut at a high cutting height setting, and then cut to the final cutting height or make narrower cuts and mow slowly.

For best performance, keep the lawnmower housing free of built-up grass:

- ◆ Release the bail bar (3) to turn the lawnmower off and wait for the blade to come to a complete stop.
- ◆ Remove the safety key (1) and the battery pack (11) and turn the lawnmower on its side.
- ◆ Use a blunt scraper to remove the accumulation of grass in the blade area. Be careful of the sharp edges of the blade. Clean more often when cutting lush grass, and always after every use.

Certain types of grass or grass conditions may require that an area be mulched a second time to fully disperse the grass throughout the lawn.

If cutting a second time, it is advisable to cut perpendicular (across) the first cut pattern but do not change the cutting pattern in any way that would mean mowing downhill.

- ◆ Change your cutting pattern from week to week. This will help prevent matting of the lawn.

Maintenance

Your Black & Decker corded/cordless appliance/tool has been designed to operate over a long period of time with a minimum of maintenance. Continuous satisfactory operation depends upon proper tool/appliance care and regular cleaning. Your charger does not require any maintenance apart from regular cleaning.

Warning! Before performing any maintenance on corded/cordless power tools:

- ◆ Switch off and unplug the appliance/tool.
- ◆ Or switch off and remove the battery from the appliance/tool if the appliance/tool has a separate battery pack.
- ◆ Or run the battery down completely if it is integral and then switch off.
- ◆ Unplug the charger before cleaning it. Your charger does not require any maintenance apart from regular cleaning.
- ◆ Regularly clean the ventilation slots in your tool/appliance and charger using a soft brush or dry cloth.
- ◆ Regularly clean the motor housing using a damp cloth. Do not use any abrasive or solvent-based cleaner.
- ◆ Regularly use a blunt scraper to remove grass and dirt from the underneath of the guard.

Removing and installing the blade (fig. R & S)

Warning! Do not touch the blade before the safety key has been removed and the blades have come to a complete stop.

- ◆ Release the bail bar (3) to turn mower off, wait for the blade to stop and remove the safety key (1).
- ◆ Cut a piece of wood (approximately 50 mm x 100 mm x 600 mm long) to use to keep the blade from turning while removing the flange nut.
- ◆ Turn the mower on its side.

Warning! Wear gloves and proper eye protection. Be careful of the sharp edges of the blade.

- ◆ Position the wood (32) and remove the flange nut (30) with a 19 mm wrench (31) (fig. R).
- ◆ Remove the square metal blade spacer (37), the square plastic blade insulator (33) and the blade (34) (fig S). Examine the blade insulator (35) for damage and replace if necessary.

When fitting the blade, make sure that the grass side of the blade will face the ground when the mower is returned to its normal upright position.

- ◆ After installing the blade, place the blade insulator (35) on the blade such that the raised lips on one side engage with the edges of the blade (34).
- ◆ Install the blade spacer (36) so that it sits inside the raised lips on the other side of the blade insulator (35). Be sure to align the flats in the hole of the blade spacer (36) with the flats of the shaft, rotating the blade and blade insulator together as necessary.
- ◆ Position the piece of wood (32) to keep the blade from turning (fig. R).
- ◆ Install the flange nut (30) with the flange against the square metal blade spacer (37) and tighten.

Blade sharpening (fig. T)

Keep the blade sharp for best performance. A dull blade does not cut grass cleanly or mulch properly.

Warning! Always make sure that the safety key is removed.

Warning! Wear proper eye protection while removing, sharpening and installing a blade.

Sharpening the blade twice during a mowing season is usually sufficient under normal circumstances. Sand causes the blade to dull quickly. If your lawn has sandy soil more frequent sharpening may be required.

- ◆ Replace bent or damaged blades immediately.

When sharpening the blade:

- ◆ Make sure that the blade remains balanced.
- ◆ Sharpen the blade at the original cutting angle.
- ◆ Sharpen the cutting edges on both ends of the blade, removing equal amounts of material from both ends.

To sharpen a blade in a vice (fig. T)

- ◆ Release the bail bar (3) to turn the lawnmower off and wait for the blade to come to a complete stop.
- ◆ Remove the safety key (1) and the battery pack (11) and turn the lawnmower on to its side.
- ◆ Remove the blade (34) from the mower, see the instructions for removing and installing blades.

Warning! Wear proper eye protection and gloves and be careful of the sharp edges of the blade.

- ◆ Put the blade (34) in a vice.
- ◆ Carefully file the cutting edges of the blade with a fine tooth file or a sharpening stone, maintaining the original cutting edge.
- ◆ Check the balance of the blade, see the instructions for blade balancing.

- ◆ Install the blade (34) on the mower and tighten securely, see the instructions for removing and installing blades.

Blade balancing (fig. U)

- ◆ Check the balance of the blade by putting the centre hole in the blade on to a nail or a round shank screwdriver that is clamped horizontally in a vice. If either end of the blade rotates downward, file that end of the blade until the blade is balanced.

Lubrication

No lubrication is necessary. Do not oil the wheels. They have plastic bearing surfaces which require no lubrication.

Cleaning

- ◆ Release the bail bar (3) to turn the lawnmower off and wait for the blade to come to a complete stop.
- ◆ Remove the safety key (1).
- ◆ Use only mild soap and a damp cloth to clean the mower.
- ◆ Use a blunt tool to clean out any clippings which may have accumulated on the underside of the mower.
- ◆ After several uses, check all exposed fasteners for tightness.

Preventing corrosion

Fertilisers and other garden chemicals contain agents which greatly accelerate the corrosion of metals. If you mow in areas where fertilisers or chemicals have been used, the mower should be cleaned immediately afterward as follows:

- ◆ Release the bail bar (3) to turn the lawnmower off and wait for the blade to come to a complete stop.
- ◆ Remove the safety key (1).
- ◆ Wipe all exposed parts with a damp cloth.

Transporting and storage

Warning! The rotating blade can cause serious injury.

Release bail bar to turn mower off and remove the safety key before lifting, transporting or storing the mower. Store in a dry place.

Note: The mower will not be as heavy to lift if the battery pack is removed first. Do not use the latch as a lift point for the mower.

Out of season storage

In warm climates, to ensure optimal performance it is recommended that the battery is maintained on constant charge.

The battery may be stored with the charger disconnected if the following conditions are met.

- ◆ The battery is fully charged before storing.

- ◆ The average temperature of the storage location is below 10°C (50°F).

Protecting the environment



Separate collection. This product must not be disposed of with normal household waste.

Should you find one day that your Black & Decker product needs replacement, or if it is of no further use to you, do not dispose of it with household waste. Make this product available for separate collection.



Separate collection of used products and packaging allows materials to be recycled and used again.

Re-use of recycled materials helps prevent environmental pollution and reduces the demand for raw materials.

Local regulations may provide for separate collection of electrical products from the household, at municipal waste sites or by the retailer when you purchase a new product.

Black & Decker provides a facility for the collection and recycling of Black & Decker products once they have reached the end of their working life. To take advantage of this service please return your product to any authorised repair agent who will collect them on our behalf.

You can check the location of your nearest authorised repair agent by contacting your local Black & Decker office at the address indicated in this manual. Alternatively, a list of authorised Black & Decker repair agents and full details of our after-sales service and contacts are available on the Internet at: www.2helpU.com

Batteries



At the end of their useful life, discard batteries with due care for our environment:

- ◆ Run the battery down completely, then remove it from the tool.
- ◆ NiCd, NiMH and Li-Ion batteries are recyclable. Place the battery(s) in a suitable packaging to ensure that the terminals cannot be short-circuited. Take them to any authorised repair agent or a local recycling station.
- ◆ Do not short-circuit the battery terminals.
- ◆ Do not dispose of the battery(s) in a fire as this may result in a risk of personal injury or an Explosion.

Technical data

		GRC4736SD H 1
Input Voltage	V _{ac}	36
No-Load Speed	min ⁻¹	3300
Weight	kg	41
Battery		A1236
Voltage	V _{ac}	36
Capacity	Ah	12
Type		Lead Acid
Charger		905521** typ. 1
Input Voltage	V _{ac}	220 - 240
Output Voltage	V _{ac}	36
Current	mA	800
Approx. charge time	h	16

Hand/arm weighted vibration value according to EN 786:
= < 2.5 m/s², uncertainty (K) = 1.5 m/s².

L_m (sound pressure) 79 dB(A)
uncertainty (K) = 2 dB(A)

EC declaration of conformity

MACHINERY DIRECTIVE
OUTDOOR NOISE DIRECTIVE



GRC4736SD

Black & Decker declares that these products described under
"technical data" are in compliance with:
2006/42/EC, EN 60335-1, EN 60335-2-91

2000/14/EC, Lawn Mower, L < 50cm, Annex VI,
DEKRA Certification B.V., Utrechtseweg 310, ED Arnhem
Netherlands
Notified Body ID No.: 0344

Level of acoustic power according to 2000/14/EC
(Article 12, Annex III, L ≤ 50 cm):
L_m (measured sound power) 93 dB(A)
uncertainty (K) = 2 dB(A)
L_m (guaranteed sound power) 95 dB(A)
uncertainty (K) = 2 dB(A)

These products also comply with directive 2004/108/EC and
2011/65/EU.

For more information, please contact Black & Decker at the
following address or refer to the back of the manual.
The undersigned is responsible for compilation of the technical
file and makes this declaration on behalf of Black & Decker.

Kevin Hewitt
Vice-President Global Engineering
Black & Decker Europe, 210 Bath Road, Slough,
Berkshire, SL1 3YD
United Kingdom
01-10-2009

Guarantee

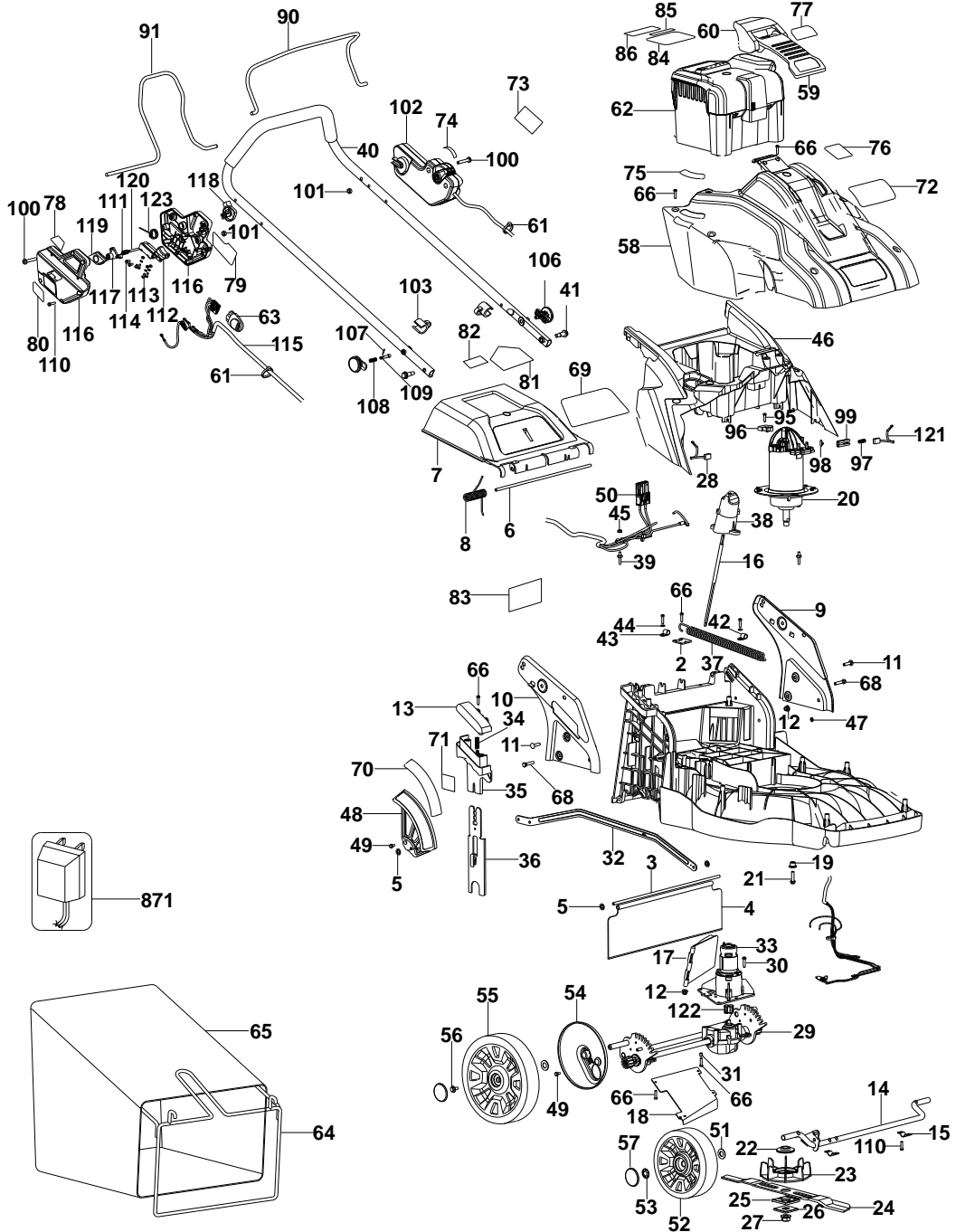
Black & Decker is confident of the quality of its products and offers an outstanding guarantee. This guarantee statement is in addition to and in no way prejudices your statutory rights. The guarantee is valid within the territories of the Member States of the European Union and the European Free Trade Area.

If a Black & Decker product becomes defective due to faulty materials, workmanship or lack of conformity, within 24 months from the date of purchase, Black & Decker guarantees to replace defective parts, repair products subjected to fair wear and tear or replace such products to ensure minimum inconvenience to the customer unless:

- ◆ The product has been used for trade, professional or hire purposes;
- ◆ The product has been subjected to misuse or neglect;
- ◆ The product has sustained damage through foreign objects, substances or accidents;
- ◆ Repairs have been attempted by persons other than authorised repair agents or Black & Decker service staff.

To claim on the guarantee, you will need to submit proof of purchase to the seller or an authorised repair agent. You can check the location of your nearest authorised repair agent by contacting your local Black & Decker office at the address indicated in this manual. Alternatively, a list of authorised Black & Decker repair agents and full details of our after-sales service and contacts are available on the Internet at: www.2helpU.com

Please visit our website www.blackanddecker.co.uk to register your new Black & Decker product and to be kept up to date on new products and special offers. Further information on the Black & Decker brand and our range of products is available at www.blackanddecker.co.uk



ENGLISH

Do not forget to register your product!

www.blackanddecker.co.uk/productregistration

Register your product online at **www.blackanddecker.co.uk/productregistration** or send your name, surname and product code to Black & Decker in your country.

Australia

Black & Decker (Australia) Pty. Ltd.
20 Fletcher Road, Mooroolbark,
Victoria, 3138

Tel. 03-8720 5100
Fax 03-9727 5940

New Zealand

Black & Decker
5 Te Apunga Place
Mt Wellington
Auckland 1060

Tel. +64 9 259 1133
Fax +64 9 259 1122

United Kingdom

Black & Decker
210 Bath Road
Slough, Berkshire SL1 3YD

Tel. 01753 511234
Fax 01753 551155