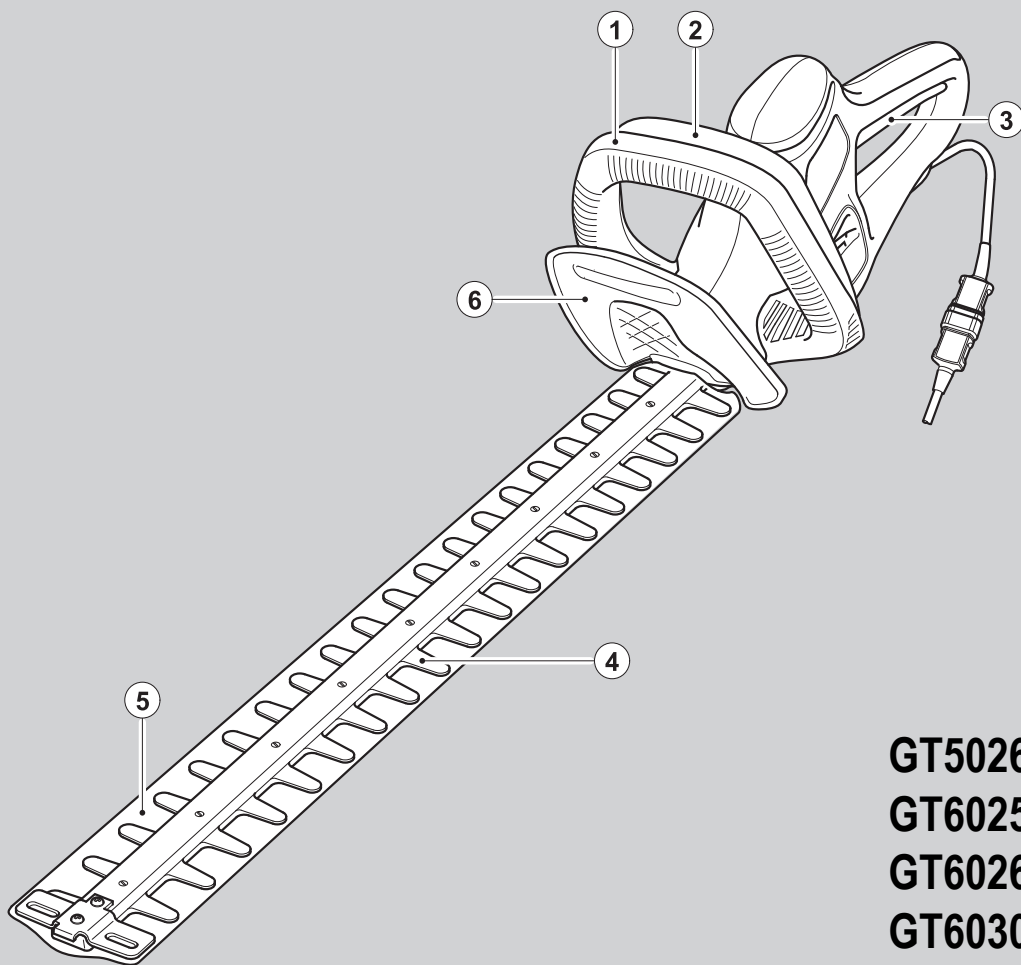


**BLACK & DECKER®**

**Powerful Solutions™**



GT5026

GT6025

GT6026

GT6030

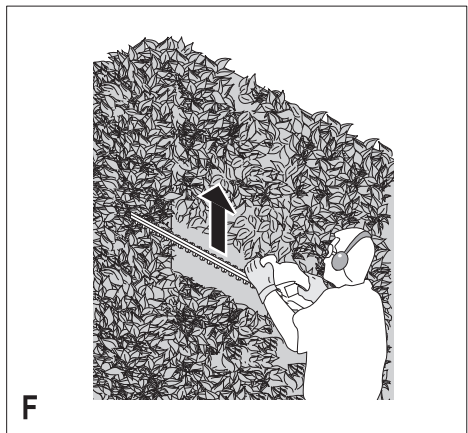
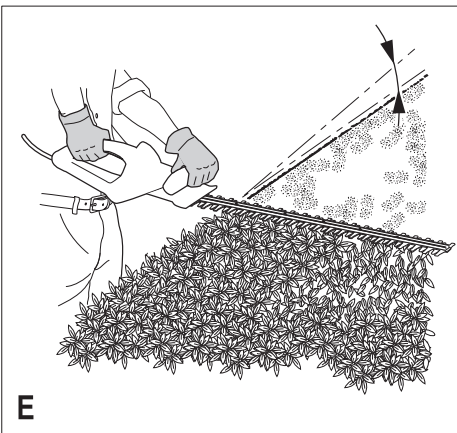
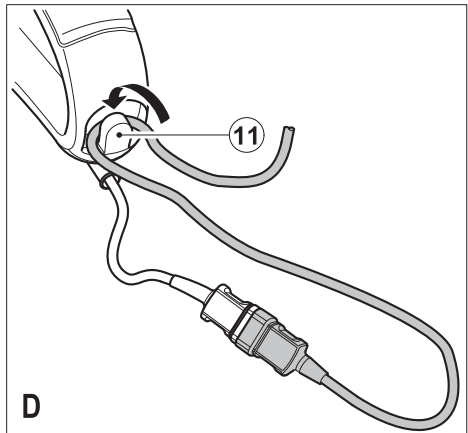
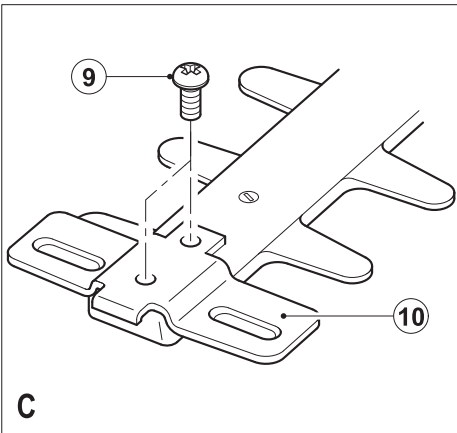
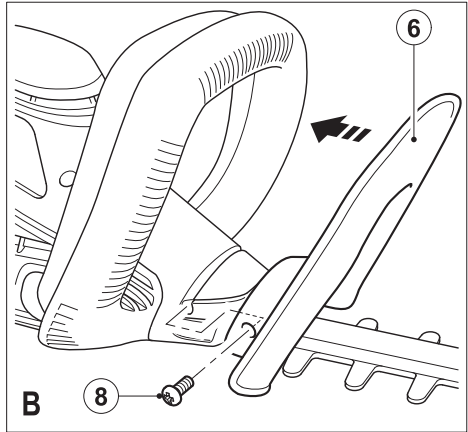
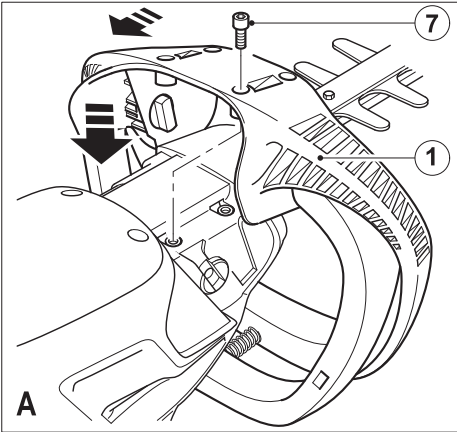
GT6530

GT7026

GT7030

[www.blackanddecker.eu](http://www.blackanddecker.eu)

<b>English</b>	<b>(Original instructions)</b>	<b>4</b>
<b>Deutsch</b>	<b>(Übersetzung der ursprünglichen Anweisungen)</b>	<b>10</b>
<b>Français</b>	<b>(Traduction des instructions initiales)</b>	<b>17</b>
<b>Italiano</b>	<b>(Traduzione del testo originale)</b>	<b>24</b>
<b>Nederlands</b>	<b>(Vertaling van de originele instructies)</b>	<b>31</b>
<b>Español</b>	<b>(Traducción de las instrucciones originales)</b>	<b>38</b>
<b>Português</b>	<b>(Tradução das instruções originais)</b>	<b>45</b>
<b>Svenska</b>	<b>(Översättning av originalanvisningarna)</b>	<b>52</b>
<b>Norsk</b>	<b>(Oversettelse av de opprinnelige instruksjonene)</b>	<b>58</b>
<b>Dansk</b>	<b>(Oversættelse af de oprindelige instruktioner)</b>	<b>64</b>
<b>Suomi</b>	<b>(Alkuperäisten ohjeiden käännös)</b>	<b>70</b>
<b>Ελληνικά</b>	<b>(Μετάφραση των πρωτότυπων οδηγιών)</b>	<b>76</b>



## Intended use

Your Black & Decker hedge trimmer has been designed for trimming hedges, shrubs and brambles. This tool is intended for consumer use only.

## Safety instructions

### General power tool safety warnings



**Warning! Read all safety warnings and all instructions.** Failure to follow all instructions may result in electric shock, fire and/or serious injury.

### Save all warnings and instructions for future reference.

The term "power tool" in all of the warnings listed below refers to your mains operated (corded) power tool or battery operated (cordless) power tool.

1. **Work area safety**
  - a. **Keep work area clean and well lit.** Cluttered and dark areas invite accidents.
  - b. **Do not operate power tools in explosive atmospheres, such as in the presence of flammable liquids, gases or dust.** Power tools create sparks which may ignite the dust or fumes.
  - c. **Keep children and bystanders away while operating a power tool.** Distractions can cause you to lose control.
2. **Electrical safety**
  - a. **Power tool plugs must match the outlet. Never modify the plug in any way. Do not use any adapter plugs with earthed (grounded) power tools.** Unmodified plugs and matching outlets will reduce risk of electric shock.
  - b. **Avoid body contact with earthed or grounded surfaces such as pipes, radiators, ranges and refrigerators.** There is an increased risk of electric shock if your body is earthed or grounded.
  - c. **Do not expose power tools to rain or wet conditions.** Water entering a power tool will increase the risk of electric shock.
  - d. **Do not abuse the cord. Never use the cord for carrying, pulling or unplugging the power tool. Keep cord away from heat, oil, sharp edges or moving parts.** Damaged or entangled cords increase the risk of electric shock.
  - e. **When operating a power tool outdoors, use an extension cord suitable for outdoor use.** Use of a cord suitable for outdoor use reduces the risk of electric shock.
3. **Personal safety**
  - a. **Stay alert, watch what you are doing and use common sense when operating a power tool. Do not use a power tool while you are tired or under the influence of drugs, alcohol or medication.** A moment of inattention while operating power tools may result in serious personal injury.
  - b. **Use personal protective equipment. Always wear eye protection.** Protective equipment such as dust mask, non-skid safety shoes, hard hat, or hearing protection used for appropriate conditions will reduce personal injuries.
  - c. **Prevent unintentional starting. Ensure the switch is in the off-position before connecting to power source and/or battery pack, picking up or carrying the tool.** Carrying power tools with your finger on the switch or energising power tools that have the switch on invites accidents.
  - d. **Remove any adjusting key or wrench before turning the power tool on.** A wrench or a key left attached to a rotating part of the power tool may result in personal injury.
  - e. **Do not overreach. Keep proper footing and balance at all times.** This enables better control of the power tool in unexpected situations.
  - f. **Dress properly. Do not wear loose clothing or jewellery. Keep your hair, clothing and gloves away from moving parts.** Loose clothes, jewellery or long hair can be caught in moving parts.
  - g. **If devices are provided for the connection of dust extraction and collection facilities, ensure these are connected and properly used.** Use of these devices can reduce dust related hazards.
4. **Power tool use and care**
  - a. **Do not force the power tool. Use the correct power tool for your application.** The correct power tool will do the job better and safer at the rate for which it was designed.
  - b. **Do not use the power tool if the switch does not turn it on and off.** Any power tool that cannot be controlled with the switch is dangerous and must be repaired.
  - c. **Disconnect the plug from the power source and/or the battery pack from the power tool before making any adjustments, changing accessories, or storing power tools.** Such preventive safety measures reduce the risk of starting the power tool accidentally.
5. **If operating a power tool in a damp location is unavoidable, use a Residual Current Device (RCD) protected supply.** Use of an RCD reduces the risk of electric shock.

**d. Store idle power tools out of the reach of children and do not allow persons unfamiliar with the power tool or these instructions to operate the power tool.**

Power tools are dangerous in the hands of untrained users.

**e. Maintain power tools. Check for misalignment or binding of moving parts, breakage of parts and any other condition that may affect the power tools operation. If damaged, have the power tool repaired before use.** Many accidents are caused by poorly maintained power tools.

**f. Keep cutting tools sharp and clean.** Properly maintained cutting tools with sharp cutting edges are less likely to bind and are easier to control.

**g. Use the power tool, accessories and tool bits etc. in accordance with these instructions, taking into account the working conditions and the work to be performed.** Use of the power tool for operations different from those intended could result in a hazardous situation.

**5. Service**

**a. Have your power tool serviced by a qualified repair person using only identical replacement parts.**

This will make sure that the safety of the power tool is maintained.

**Additional power tool safety warnings**



Hedge trimmer safety warnings.

◆ **Keep all parts of the body away from the cutter blade. Do not remove cut material or hold material to be cut when blades are moving. Make sure the switch is off when clearing jammed material.**

A moment of inattention while operating the hedge trimmer may result in serious personal injury.

◆ **Carry the hedge trimmer by the handle with the cutter blade stopped. When transporting or storing the hedge trimmer always fit the cutting device cover.** Proper handling of the hedge trimmer will reduce possible personal injury from the cutter blades.

◆ **Keep cable away from cutting area.** During operation the cable may be hidden in shrubs and can be accidentally cut by the blade.

◆ Take care to avoid hard objects (e.g. metal wire, railings) when trimming. Should you accidentally hit any such object, immediately switch the tool off and check for any damage.

◆ Always hold the tool with both hands and by the handles provided.

◆ This tool is not intended for use by persons (including children) with reduced physical, sensory or mental capabilities, or lack of experience and knowledge, unless they have been given supervision or instruction concerning use of the appliance by a person responsible for their safety. Children should be supervised to ensure that they do not play with the tool.

◆ The intended use is described in this instruction manual. The use of any accessory or attachment or performance of any operation with this tool other than those recommended in this instruction manual may present a risk of personal injury and/or damage to property.

◆ Avoid unintentional starting. Do not carry the tool with your hand or finger on the front handle or trigger switch unless it is unplugged or the battery has been removed. Be sure that the tool is switched off when plugging in.

◆ If you have not used a hedge trimmer before, preferably seek practical instruction by an experienced user in addition to studying this manual.

◆ Never touch the blades while the tool is running.

◆ Never attempt to force the blades to come to a standstill.

◆ Do not put the tool down until the blades have come to a complete standstill.

◆ Regularly check the blades for damage and wear. Do not use the tool when the blades are damaged.

◆ Should the tool start to vibrate abnormally, immediately switch it off and check for any damage.

◆ If the tool stalls, immediately switch it off. Unplug the tool or remove the battery before attempting to remove any obstructions.

◆ After use, place the blade sheath supplied over the blades. Store the tool, making sure that the blade is not exposed.

◆ Always ensure that all guards are fitted when using the tool. Never attempt to use an incomplete tool or a tool with unauthorised modifications.

◆ Never allow children to use the tool.

◆ Be aware of falling debris when cutting the higher sides of a hedge.

**Safety of others**

◆ This appliance is not intended for use by persons (including children) with reduced physical, sensory or mental capabilities, or lack of experience and knowledge, unless they have been given supervision or instruction concerning the use of the appliance by a person responsible for their safety.

◆ Children should be supervised to ensure that they do not play with the appliance.

## Vibration

The declared vibration emission values stated in the technical data and the declaration of conformity have been measured in accordance with a standard test method provided by EN 60745 and may be used for comparing one tool with another. The declared vibration emission value may also be used in a preliminary assessment of exposure.

**Warning!** The vibration emission value during actual use of the power tool can differ from the declared value depending on the ways in which the tool is used. The vibration level may increase above the level stated.

When assessing vibration exposure to determine safety measures required by 2002/44/EC to protect persons regularly using power tools in employment, an estimation of vibration exposure should consider, the actual conditions of use and the way the tool is used, including taking account of all parts of the operating cycle such as the times when the tool is switched off and when it is running idle in addition to the trigger time.

## Labels on tools

The following pictograms are shown on the tool:



**Warning!** To reduce the risk of injury, the user must read the instruction manual.



Wear safety glasses or goggles and ear protection when operating this tool



Wear gloves when operating this tool.



Immediately disconnect the cable from the mains if it is damaged or cut.



Do not expose the tool to rain or high humidity.

## Electrical safety



This tool is double insulated; therefore no earth wire is required. Always check that the power supply corresponds to the voltage on the rating plate.

- ◆ If the supply cord is damaged, it must be replaced by the manufacturer or an authorised Black & Decker Service Centre in order to avoid a hazard
- ◆ Electric safety can be further improved by using a high-sensitivity 30 mA residual current device (RCD).

## Using an extension cable

Always use an approved extension cable suitable for the power input of this tool (see technical data). The extension

cable must be suitable for outdoor use and marked accordingly. Up to 30 m of 1.5 mm<sup>2</sup> HO5V V-F extension cable can be used without loss of product performance. Before use, inspect the extension cable for signs of damage, wear and ageing. Replace the extension cable if damaged or defective. When using a cable reel, always unwind the cable completely.

## Features

1. Front handle
2. Front handle switch
3. Trigger switch
4. Blade
5. Blade sheath
6. Guard

This hedge trimmer has the following features for your benefit:

- ◆ Ergonomically formed handles for comfortable cutting.
- ◆ Machined blades for improved cutting.
- ◆ Dual action blades for reduced vibration.

## Assembly

**Warning!** Before assembly, make sure that the tool is switched off and unplugged and that the blade sheath is fitted over the blades.

### Fitting the handle (fig. A)

- ◆ Slide the handle (1) over the blades (4).
- ◆ Press the handle (1) into the location on the bottom of the tool.
- ◆ Secure the handle with the 4 screws (7) supplied.

### Fitting the guard (fig. B)

- ◆ Locate the guard (6) into the grooves on the tool.
- ◆ Secure the guard (6) using the two screws (8) supplied.

**Warning!** Never use the tool without the guard.

### Fitting the blade tip guard (fig. C)

An optional tip guard (10) is provided to protect the end of the blades (4) when cutting near a hard surface.

- ◆ Align the tip guard (10) with the 2 holes at the end of the blade support.
- ◆ Secure the tip guard with the two screws (9) supplied.

### Connecting the tool to the mains (fig. D)

Unless the tool is fitted with a mains cable, you will need to connect an extension cable to the power inlet.

- ◆ Connect the female socket of a suitable extension cable to the power inlet of the tool.
- ◆ Loop the cable through the cable restraint (11) as shown to prevent the extension cable from becoming detached during use.
- ◆ Insert the mains plug into a mains outlet.

**Warning!** The extension cable must be suitable for outdoor use. When using a cable reel, always unwind the cable completely.

### Residual risks

Additional residual risks may arise when using the tool which may not be included in the enclosed safety warnings. These risks can arise from misuse, prolonged use etc.

Even with the application of the relevant safety regulations and the implementation of safety devices, certain residual risks cannot be avoided. These include:

- ◆ Injuries caused by touching any rotating/moving parts.
- ◆ Injuries caused when changing any parts, blades or accessories.
- ◆ Injuries caused by prolonged use of a tool. When using any tool for prolonged periods make sure you take regular breaks.
- ◆ Impairment of hearing.
- ◆ Health hazards caused by breathing dust developed when using your tool (example:- working with wood, especially oak, beech and MDF).

### Use

**Warning!** Let the tool work at its own pace. Do not overload.

- ◆ Before use, carefully check the tool and mains cable for damage. Paying attention to guards, switches and parts.
- ◆ Ensure that the tool will operate properly and perform its intended function.
- ◆ Do not use the tool if damaged or defective.
- ◆ Do not use the tool if the switch does not turn it on and off.
- ◆ If damaged, have the power tool repaired by an authorised repair agent. Never attempt any repairs yourself.
- ◆ Carefully guide the cable in order to avoid accidentally cutting it. A good way to control the cable is by putting it over your shoulder.
- ◆ For your safety, this tool is equipped with a double switching system. This system prevents starting the tool inadvertently and will only allow operation while holding the tool with both hands.

### Switching on and off

#### Switching on

Take hold of the front handle (1) with one hand so that the front handle switch (2) is pushed into the body of the tool. With the other hand, squeeze the trigger switch (3) to start the tool.

### Switching off

Release the front handle switch (2) or the trigger switch (3).

**Warning!** Never attempt to lock a switch in the on position.

### Hints for optimum use

- ◆ Start by trimming the top of the hedge. Slightly tilt the tool (up to 15° relative to the line of cut) so that the blade tips point slightly towards the hedge (fig. E). This will allow the blades to cut more effectively. Hold the tool at the desired angle and move it steadily along the line of cut. The double-sided blade allows you to cut in either direction.
- ◆ To obtain a very straight cut, stretch a piece of string along the length of the hedge at the desired height. Use the string as a guideline, cutting just above it.
- ◆ To obtain flat sides, cut upwards with the growth. Younger stems move outwards when the blade cuts downwards, causing shallow patches in the hedge (fig. F).
- ◆ Take care to avoid any foreign objects. Especially avoid hard objects such as metal wire and railings, as these could damage the blades.
- ◆ Regularly oil the blades.

### Guidelines for trimming (UK & Ireland)

- ◆ Trim hedges and shrubs with seasonal leaves (new leaves every year) in June and October.
- ◆ Trim evergreens in April and August.
- ◆ Trim conifers and other fast growing shrubs every six weeks from May until October.

### Guidelines for trimming (Australia & New Zealand)

- ◆ Trim hedges and shrubs with seasonal leaves (new leaves every year) in December and March.
- ◆ Trim evergreens in September and February.
- ◆ Trim conifers and other fast growing shrubs every six weeks from October until March.

### Maintenance

Your Black & Decker tool has been designed to operate over a long period of time with a minimum of maintenance. Continuous satisfactory operation depends upon proper tool care and regular cleaning.

**Warning!** Before performing any maintenance, switch off and unplug the tool.

- ◆ After use, carefully clean the blades. After cleaning, apply a film of light machine oil to prevent the blades from rusting.
- ◆ Regularly clean the ventilation slots in your tool using a soft dry brush or dry cloth.

- ◆ Regularly clean the motor housing using a clean damp cloth. Do not use any abrasive or solvent-based cleaner.
- ◆ Make sure all switches are free of debris before and after use.

**Removing the guard (fig. B)**

**Warning!** Remove the guard for servicing purpose only. Always re-fit the guard after servicing.

- ◆ Remove the screws (8).
- ◆ Slide the guard (6) off the tool.

**Troubleshooting**

If the tool does not operate correctly, check the following:

<b>Fault</b>	<b>Possible cause</b>	<b>Action</b>
Tool will not start	Blown fuse	Replace fuse
	Tripped RCD	Check RCD
	Mains lead disconnected	Check mains supply

**Protecting the environment**



Separate collection. This product must not be disposed of with normal household waste.

Should you find one day that your Black & Decker product needs replacement, or if it is of no further use to you, do not dispose of it with household waste. Make this product available for separate collection.



Separate collection of used products and packaging allows materials to be recycled and used again. Re-use of recycled materials helps prevent environmental pollution and reduces the demand for raw materials.

Local regulations may provide for separate collection of electrical products from the household, at municipal waste sites or by the retailer when you purchase a new product.

Black & Decker provides a facility for the collection and recycling of Black & Decker products once they have reached the end of their working life. To take advantage of this service please return your product to any authorised repair agent who will collect them on our behalf.

You can check the location of your nearest authorised repair agent by contacting your local Black & Decker office at the address indicated in this manual. Alternatively, a list of authorised Black & Decker repair agents and full details of our after-sales service and contacts are available on the Internet at: [www.2helpU.com](http://www.2helpU.com).

**Technical data**

	<b>GT5026 TYPE 1</b>	<b>GT6025 TYPE 1</b>	<b>GT6026 TYPE 1</b>	<b>GT6030 TYPE 1</b>	<b>GT6530 TYPE 1</b>	<b>GT7026 TYPE 1</b>	<b>GT7030 TYPE 1</b>
Voltage	Vac 230	230	230	230	230	230	230
Power input	W 600	600	650	650	650	700	700
Blade strokes (no load)	min-1 1400	1400	1400	1400	1400	1400	1400
Blade length	cm 50	60	60	60	65	70	70
Blade gap	mm 26	26	26	30	30	26	30
Blade brake time	s <1.0	<1.0	<1.0	<1.0	<1.0	<1.0	<1.0
Weight (without supply cord)	kg 4.5	4.75	4.75	4.75	4.8	4.9	4.9

Vibration total values (triax vector sum) according to EN 60745:

Vibration emission value ( $a_h$ ) 4.6 m/s<sup>2</sup>,  
uncertainty (K) 1.5 m/s<sup>2</sup>



**EC declaration of conformity**MACHINERY DIRECTIVE  
OUTDOOR NOISE DIRECTIVE**GT5026, GT6025, GT6026, GT6030,  
GT6530, GT7026, GT7030**

Black & Decker declares that these products described under "technical data" are in compliance with:  
98/37/EC (until Dec. 28, 2009),  
2006/42/EC (from Dec. 29, 2009),  
EN60745-1, EN60745-2-15

2000/14/EC, Hedge Trimmer, Annex V,

Level of sound power according to 2000/14/EC (Article 13, Annex III,  $L \leq 50\text{cm}$ ):

$L_{WA}$  (measured sound power) 97 dB(A)  
Uncertainty = 3 dB(A)

$L_{WA}$  (guaranteed sound power) 102 dB(A)  
Uncertainty = 3 dB(A)

These products also comply with Directive 2004/108/EC. For more information, please contact Black & Decker at the following address or refer to the back of the manual.

The undersigned is responsible for compilation of the technical file and makes this declaration on behalf of Black & Decker.

Kevin Hewitt  
Vice-President Global Engineering  
Black & Decker Europe,  
210 Bath Road, Slough,  
Berkshire, SL1 3YD  
United Kingdom  
24-11-2009

**Guarantee**

Black & Decker is confident of the quality of its products and offers an outstanding guarantee. This guarantee statement is in addition to and in no way prejudices your statutory rights. The guarantee is valid within the territories of the Member States of the European Union and the European Free Trade Area.

If a Black & Decker product becomes defective due to faulty materials, workmanship or lack of conformity, within 24 months from the date of purchase, Black & Decker guarantees to replace defective parts, repair products subjected to fair wear and tear or replace such products to make sure of the minimum inconvenience to the customer unless:

- ◆ The product has been used for trade, professional or hire purposes.
- ◆ The product has been subjected to misuse or neglect.
- ◆ The product has sustained damage through foreign objects, substances or accidents.
- ◆ Repairs have been attempted by persons other than authorised repair agents or Black & Decker service staff.

To claim on the guarantee, you will need to submit proof of purchase to the seller or an authorised repair agent. You can check the location of your nearest authorised repair agent by contacting your local Black & Decker office at the address indicated in this manual. Alternatively, a list of authorised Black & Decker repair agents and full details of our after-sales service and contacts are available on the Internet at: **[www.2helpU.com](http://www.2helpU.com)**.

Please visit our website **[www.blackanddecker.co.uk](http://www.blackanddecker.co.uk)** to register your new Black & Decker product and to be kept up to date on new products and special offers. Further information on the Black & Decker brand and our range of products is available at **[www.blackanddecker.co.uk](http://www.blackanddecker.co.uk)**.

## Bestimmungsgemäße Verwendung

Ihre Black & Decker Heckenschere wurde zum Beschneiden von Hecken, Büschen und Sträuchern entwickelt. Dieses Gerät ist nicht für den gewerblichen Einsatz vorgesehen.

## Sicherheitshinweise

### Allgemeine Sicherheitswarnungen für das Gerät



**Achtung! Lesen Sie sämtliche Sicherheitswarnungen.** Die Nichteinhaltung der aufgeführten Anweisungen kann einen elektrischen Schlag, Brand und/oder schwere Verletzungen verursachen.

### Bewahren Sie alle Warnungen und Anweisungen gut auf.

Der nachfolgend verwendete Begriff „Gerät“ bezieht sich auf netzbetriebene Geräte (mit Netzkabel) und auf akkubetriebene Geräte (ohne Netzkabel).

1. **Sicherheit im Arbeitsbereich**
  - a. **Halten Sie Ihren Arbeitsbereich sauber und gut ausgeleuchtet.** Unordnung und dunkle Arbeitsbereiche können zu Unfällen führen.
  - b. **Arbeiten Sie mit Geräten nicht in explosionsgefährdeter Umgebung, in der sich brennbare Flüssigkeiten, Gase oder Stäube befinden.** Geräte erzeugen Funken, die den Staub oder die Dämpfe entzünden können.
  - c. **Halten Sie Kinder und andere Personen während der Benutzung eines Geräts fern.** Bei Ablenkung können Sie die Kontrolle verlieren.
2. **Elektrische Sicherheit**
  - a. **Der Netzstecker des Geräts muss in die Steckdose passen. Der Stecker darf in keiner Weise verändert werden. Verwenden Sie für Schutzgeerdete Geräte keine Adapterstecker.** Unveränderte Stecker und passende Steckdosen verringern das Risiko eines elektrischen Schlags.
  - b. **Vermeiden Sie Körperkontakt mit geerdeten Oberflächen von Rohren, Heizungen, Herden und Kühlschränken.** Es besteht ein erhöhtes Risiko eines elektrischen Schlags, wenn Ihr Körper geerdet ist.
  - c. **Halten Sie Geräte von Regen und Feuchtigkeit fern.** Das Eindringen von Wasser in ein Gerät erhöht das Risiko eines elektrischen Schlags.
  - d. **Verwenden Sie das Kabel ordnungsgemäß. Verwenden Sie es niemals zum Tragen. Trennen Sie das Gerät nicht durch Ziehen am Kabel vom Netz. Halten Sie das Kabel fern von Hitze, Öl, scharfen Kanten oder sich bewegenden Teilen.** Beschädigte oder verwickelte Kabel erhöhen das Risiko eines elektrischen Schlags.
  - e. **Wenn Sie mit einem Gerät im Freien arbeiten, verwenden Sie nur Verlängerungskabel, die auch für den Außenbereich zugelassen sind.** Die Verwendung eines für den Außenbereich geeigneten Verlängerungskabels verringert das Risiko eines elektrischen Schlags.
  - f. **Wenn ein Elektrowerkzeug in einer feuchten Umgebung verwendet werden muss, schließen Sie es unbedingt an eine Steckdose mit Fehlerstromschutzschalter (RCD) an.** Ein Fehlerstromschutzschalter verringert das Risiko eines elektrischen Schlags.
3. **Sicherheit von Personen**
  - a. **Seien Sie aufmerksam, achten Sie darauf, was Sie tun, und gehen Sie vernünftig mit dem Gerät um. Benutzen Sie das Gerät nicht, wenn Sie müde sind oder unter dem Einfluss von Drogen, Alkohol oder Medikamenten stehen.** Ein Moment der Unachtsamkeit beim Gebrauch von Geräten kann zu ernsthaften Verletzungen führen.
  - b. **Verwenden Sie eine geeignete Schutzausrüstung. Tragen Sie stets eine Schutzbrille.** Schutzausrüstung wie Staubmaske, rutschfeste Sicherheitsschuhe, Schutzhelm oder Gehörschutz, je nach Art und Einsatz des Geräts, verringert das Risiko von Verletzungen.
  - c. **Vermeiden Sie eine unbeabsichtigte Inbetriebnahme. Vergewissern Sie sich, dass das Gerät ausgeschaltet ist, bevor Sie es an eine Steckdose oder einen Akku anschließen, es hochheben oder tragen.** Durch das Tragen des Geräts mit dem Finger am Schalter oder durch das Anschließen eingeschalteter Geräte werden Unfälle provoziert.
  - d. **Entfernen Sie Einstell- oder Schraubenschlüssel, bevor Sie das Gerät einschalten.** Ein Schlüssel in einem sich drehenden Teil kann zu Verletzungen führen.
  - e. **Beugen Sie sich nicht zu weit nach vorn über. Achten Sie auf einen sicheren Stand, um in jeder Arbeitsposition das Gleichgewicht zu halten.** Dadurch können Sie das Gerät in unerwarteten Situationen besser unter Kontrolle halten.
  - f. **Tragen Sie geeignete Kleidung. Tragen Sie keine weite Kleidung oder Schmuck. Halten Sie Haare, Kleidung und Handschuhe von sich bewegenden Teilen fern.** Lockere Kleidung, Schmuck oder lange Haare können von sich bewegenden Teilen erfasst werden.
  - g. **Falls Vorrichtungen zum Absaugen oder Auffangen von Staub vorhanden sind, vergewissern Sie sich, dass diese angeschlossen sind und richtig verwendet werden.** Diese Vorrichtungen verringern Gefährdungen durch Staub.

- 4. Gebrauch und Pflege von Geräten**
- Überlasten Sie das Gerät nicht. Verwenden Sie das für Ihre Arbeit passende Gerät.** Durch das Arbeiten in dem für das Gerät angegebenen Leistungsbereich erzielen Sie nicht nur optimale Ergebnisse, Sie erhöhen auch die Sicherheit.
  - Verwenden Sie das Gerät nicht, wenn der Ein-/Ausschalter nicht funktioniert.** Ein Gerät, das sich nicht mehr ein- oder ausschalten lässt, ist gefährlich und muss repariert werden.
  - Ziehen Sie den Stecker aus der Steckdose oder trennen Sie das Gerät vom Akku, bevor Sie Einstellungen vornehmen, Zubehörteile wechseln oder das Gerät weglegen.** Diese Vorsichtsmaßnahme verhindert den unbeabsichtigten Start des Geräts.
  - Bewahren Sie unbenutzte Geräte außerhalb der Reichweite von Kindern auf. Lassen Sie Geräte nicht von Personen benutzen, die damit nicht vertraut sind oder diese Anweisungen nicht gelesen haben.** Geräte sind gefährlich, wenn sie von unerfahrenen Personen benutzt werden.
  - Halten Sie Geräte in einem einwandfreien Zustand. Kontrollieren Sie, ob bewegliche Teile falsch ausgerichtet sind oder klemmen und ob Teile gebrochen oder so beschädigt sind, dass die Funktion des Geräts beeinträchtigt ist. Lassen Sie beschädigte Geräte vor dem Gebrauch reparieren.** Durch schlecht gewartete Geräte werden zahlreiche Unfälle verursacht.
  - Halten Sie Schneidwerkzeuge scharf und sauber.** Sorgfältig gepflegte Schneidwerkzeuge mit scharfen Schneidkanten verklemmen sich weniger und sind leichter zu führen.
  - Verwenden Sie Gerät, Zubehör, Einsätze usw. entsprechend diesen Anweisungen, und berücksichtigen Sie dabei die Arbeitsbedingungen und die auszuführende Arbeit.** Der Gebrauch von Geräten für andere als die vorgesehenen Anwendungen kann zu gefährlichen Situationen führen.
- 5. Service**
- Lassen Sie das Gerät nur von qualifiziertem Fachpersonal und nur mit Originalersatzteilen reparieren.** Die Sicherheit des Geräts bleibt so erhalten.

#### Zusätzliche Sicherheitswarnungen für das Gerät



Sicherheitshinweise zur Heckenschere.

- ◆ **Halten Sie alle Körperteile von den Messern fern. Versuchen Sie nicht, Schnittmaterial zu entfernen oder festzuhalten, wenn die Messer in Bewegung sind. Stellen Sie beim Entfernen von eingeklemmtem Material sicher, dass das Gerät ausgeschaltet ist.** Unachtsamkeit beim Gebrauch der Heckenschere kann zu ernsthaften Verletzungen führen.
- ◆ **Tragen Sie die Heckenschere stets mit angehaltenen Messern am Griff. Bringen Sie beim Transport bzw. bei der Lagerung der Heckenschere stets die Messerabdeckung an.** Der sachgemäße Umgang mit der Heckenschere verringert das Risiko von Verletzungen durch die Schnittmesser.
- ◆ **Halten Sie das Kabel von der Schneidzone fern.** Während des Betriebs wird das Kabel möglicherweise von Zweigen verdeckt und kann unbeabsichtigt beschädigt werden.
- ◆ Achten Sie bei der Arbeit auf harte Objekte (z. B. Metalldrähte oder Geländer). Wenn das Gerät versehentlich in Kontakt mit einem solchen Objekt kommt, schalten Sie es unverzüglich aus, und prüfen Sie das Gerät auf eventuelle Schäden.
- ◆ Halten Sie das Gerät stets mit beiden Händen an den dafür vorgesehenen Griffen.
- ◆ Dieses Gerät darf nicht von Personen (einschließlich Kindern) mit eingeschränkten körperlichen, sensorischen oder geistigen Fähigkeiten oder mangelnder Erfahrung und unzureichendem Wissen in Bezug auf dessen Gebrauch bedient werden, es sei denn, sie wurden vor Verwendung des Geräts von einer erfahrenen Person beaufsichtigt oder angeleitet. Kinder müssen beaufsichtigt werden, um sicherzustellen, dass sie nicht mit dem Gerät spielen.
- ◆ Der vorgesehene Verwendungszweck ist in dieser Anleitung beschrieben. Die Verwendung von Zubehör oder Anbauteilen, die nicht in dieser Anleitung empfohlen sind, sowie die Bedienung des Geräts in Abweichung von den in dieser Anleitung beschriebenen Verfahren kann zu Verletzungen und/oder Sachschäden führen.
- ◆ Vermeiden Sie eine unbeabsichtigte Inbetriebnahme. Tragen Sie das Gerät nicht mit der Hand oder einem Finger am vorderen Griff oder dem Auslöser, solange das Gerät an die Stromversorgung angeschlossen bzw. der Akku eingesetzt ist. Vergewissern Sie sich, dass das Gerät beim Anschließen des Netzsteckers ausgeschaltet ist.
- ◆ Wenn Sie nicht bereits zuvor mit einer Heckenschere gearbeitet haben, sollten Sie sich zusätzlich zum Lesen dieser Anleitung von einem erfahrenen Benutzer in den Gebrauch einweisen lassen.
- ◆ Berühren Sie niemals die Klingen, wenn sich das Gerät in Betrieb befindet.
- ◆ Versuchen Sie nie, die Messer mit Gewalt zum Stillstand zu bringen.

- ◆ Setzen Sie das Gerät erst ab, nachdem die Messer vollständig zum Stillstand gekommen sind.
- ◆ Überprüfen Sie die Messer regelmäßig auf Beschädigungen und Abnutzung. Verwenden Sie das Gerät nicht, wenn die Messer beschädigt sind.
- ◆ Schalten Sie das Gerät unverzüglich aus, wenn Sie ungewöhnliche Vibrationen bemerken, und prüfen Sie das Gerät auf eventuelle Schäden.
- ◆ Schalten Sie das Gerät unverzüglich aus, wenn es blockiert. Ziehen Sie den Netzstecker, oder entfernen Sie den Akku, bevor Sie versuchen, Fremdkörper zu entfernen.
- ◆ Bringen Sie nach dem Gebrauch den mitgelieferten Messerschutz an. Lagern Sie das Gerät nicht mit ungeschützten Klingen.
- ◆ Stellen Sie bei Gebrauch stets sicher, dass alle Schutzvorrichtungen angebracht sind. Verwenden Sie auf keinen Fall ein unvollständiges Gerät bzw. ein Gerät, an dem unsachgemäße Änderungen vorgenommen wurden.
- ◆ Das Gerät darf auf keinen Fall von Kindern verwendet werden.
- ◆ Achten Sie beim Schneiden von höheren Heckenbereichen auf herabfallendes Schnittmaterial.

## Sicherheit anderer Personen

- ◆ Dieses Gerät darf nicht von Personen (einschließlich Kindern) mit eingeschränkten körperlichen, sensorischen oder geistigen Fähigkeiten sowie mangelnder Erfahrung und Wissen in Bezug auf dessen Gebrauch bedient werden, es sei denn, sie werden bei der Verwendung des Geräts von einer für die Sicherheit verantwortlichen Person beaufsichtigt oder angeleitet.
- ◆ Kinder müssen beaufsichtigt werden, um sicherzustellen, dass sie nicht mit dem Gerät spielen.

## Vibration

Die in den Abschnitten „Technische Daten“ und „EU-Konformitätserklärung“ angegebenen Werte für die Vibrationsemission wurden mit einer Standard-Prüfmethode nach EN 60745 ermittelt und können zum Vergleich verschiedener Geräte herangezogen werden. Außerdem kann mit Hilfe dieser Werte die Belastung bei Verwendung des Geräts schon im Voraus eingeschätzt werden.

**Achtung!** Die bei Verwendung des Geräts auftretende Vibrationsemission hängt von der Art des Gerätegebrauchs ab und kann dementsprechend vom angegebenen Wert abweichen. Gegebenenfalls kann die Vibration über dem angegebenen Wert liegen.

Mit Hilfe der ermittelten Werte der Vibrationsbelastung durch Elektrogeräte lassen sich Sicherheitsmaßnahmen festlegen, die gemäß 2002/44/EG zum Schutz von Personen bestimmt sind, die diese Geräte regelmäßig bei der Arbeit verwenden. Bei der Einschätzung der Vibrationsbelastung sollten die Gebrauchsumstände und die Art der Verwendung des Geräts sowie alle Schritte des Arbeitszyklus berücksichtigt werden, wozu Ruhe-, Leerlauf- und Startzeiten gehören.

## Warnsymbole am Gerät

Am Gerät sind folgende Warnsymbole angebracht:



**Achtung!** Lesen Sie vor Gebrauch die Anleitung durch. Andernfalls besteht Verletzungsgefahr.



Tragen Sie eine Schutzbrille und einen Gehörschutz, wenn Sie mit dem Gerät arbeiten.



Tragen Sie Handschuhe, wenn Sie mit dem Gerät arbeiten.



Ziehen Sie den Stecker sofort aus der Netzsteckdose, falls das Kabel beschädigt oder durchtrennt wurde.



Schützen Sie das Gerät vor Feuchtigkeit und Regen.

## Elektrische Sicherheit



Dieses Gerät ist schutzisoliert, daher ist keine Erdleitung erforderlich. Überprüfen Sie immer, ob die Netzspannung der auf dem Typenschild des Gerätes angegebenen Spannung entspricht.

- ◆ Ist das Netzkabel beschädigt, muss es durch den Hersteller oder eine Black & Decker Vertragswerkstatt ausgetauscht werden, um eine mögliche Gefährdung zu vermeiden.
- ◆ Die elektrische Sicherheit lässt sich durch Verwendung eines Fehlerstromschutzschalters (30 mA) erhöhen.

## Verwenden eines Verlängerungskabels

- ◆ Verwenden Sie nur geprüfte Verlängerungskabel, die für die Leistungsaufnahme dieses Gerätes ausgelegt sind (siehe „Technische Daten“). Das Verlängerungskabel muss für die Verwendung im Außenbereich geeignet und entsprechend markiert sein. Es kann ein 1,5 mm<sup>2</sup>-H05V V-F-Verlängerungskabel mit einer Länge von bis zu 30 m verwendet werden, ohne dass die Leistung des Geräts beeinträchtigt wird. Prüfen Sie vor der Inbetriebnahme das Netzkabel auf Verschleiß und Beschädigungen. Wechseln Sie beschädigte oder fehlerhafte Verlängerungskabel aus. Beim Verwenden einer

Kabeltrommel muss das Kabel stets vollständig abgewickelt sein.

### **Merkmale**

1. Vorderer Handgriff
2. Vorderer Handgriffschalter
3. Auslöser
4. Sägeblatt
5. Messerschutz
6. Schutzvorrichtung

Diese Heckenschere verfügt über folgende Merkmale:

- ◆ Ergonomisch geformte Handgriffe für bequemes Arbeiten.
- ◆ Maschinell hergestellte Messer für eine verbesserte Schnittleistung.
- ◆ Doppelmesser für eine verringerte Vibration.

### **Montage**

**Achtung!** Stellen Sie vor der Montage sicher, dass das Gerät ausgeschaltet, der Netzstecker gezogen und der Messerschutz angebracht ist.

#### **Anbringen des Handgriffs (Abb. A)**

- ◆ Schieben Sie den Handgriff (1) über die Messer (4).
- ◆ Drücken Sie den Handgriff (1) in die vorgesehene Position an der Unterseite des Geräts.
- ◆ Befestigen Sie den Handgriff mithilfe der mitgelieferten vier Schrauben (7).

#### **Anbringen der Schutzvorrichtung (Abb. B)**

- ◆ Bringen Sie die Schutzvorrichtung (6) an den Kerben des Geräts an.
- ◆ Befestigen Sie die Schutzvorrichtung (6) mithilfe der beiden mitgelieferten Schrauben (8).

**Achtung!** Verwenden Sie das Gerät nie ohne Schutzvorrichtung.

#### **Anbringen des Messerspitzenschutzes (Abb. C)**

Mit dem optionalen Spitzenschutz (10) werden die Spitzen der Messer (4) beim Schneiden in der Nähe harter Oberflächen geschützt.

- ◆ Richten Sie den Spitzenschutz (10) über den beiden Löchern am Ende der Messerführung aus.
- ◆ Befestigen Sie den Spitzenschutz mithilfe der beiden mitgelieferten Schrauben (9).

#### **Anschließen des Geräts an die Netzstromversorgung (Abb. D)**

Wenn das Gerät nicht mit einem Netzkabel ausgestattet ist, müssen Sie am Netzanschluss ein Verlängerungskabel anbringen.

- ◆ Verbinden Sie das Steckdosenende eines geeigneten Verlängerungskabels mit dem Netzanschluss des Geräts.

- ◆ Bringen Sie das Kabel wie abgebildet an der Kabelführung (11) an, um zu verhindern, dass sich das Kabel während des Gebrauchs löst.
- ◆ Stecken Sie den Netzstecker in die Steckdose.

**Achtung!** Das Verlängerungskabel muss für die Verwendung im Freien geeignet sein. Beim Verwenden einer Kabeltrommel muss das Kabel stets vollständig abgewickelt sein.

### **Restrisiken**

Für den Gebrauch dieses Geräts verbleiben zusätzliche Restrisiken, die möglicherweise nicht in den Sicherheitswarnungen genannt werden. Diese Risiken bestehen beispielsweise bei Missbrauch oder längerem Gebrauch.

Auch bei der Einhaltung der entsprechenden Sicherheitsvorschriften und der Verwendung aller Sicherheitsgeräte bestehen weiterhin bestimmte Restrisiken. Diese werden im Folgenden aufgeführt:

- ◆ Verletzungen, die durch das Berühren von sich drehenden/bewegenden Teilen verursacht werden.
- ◆ Verletzungen, die durch das Austauschen von Teilen, Messern oder Zubehör verursacht werden.
- ◆ Verletzungen, die durch längeren Gebrauch eines Geräts verursacht werden. Legen Sie bei längerem Gebrauch regelmäßige Pausen ein.
- ◆ Beeinträchtigung des Gehörs.
- ◆ Gesundheitsrisiken durch das Einatmen von Staub beim Gebrauch des Geräts (Beispielsweise bei Holzarbeiten, insbesondere Eiche, Buche und Pressspan).

### **Gebrauch**

**Achtung!** Beschleunigen Sie den Arbeitsvorgang nicht mit Gewalt. Vermeiden Sie eine Überlastung des Geräts.

- ◆ Überprüfen Sie das Gerät und das Netzkabel vor dem Gebrauch sorgfältig auf eventuelle Beschädigungen. Überprüfen Sie Schutzvorrichtungen, Schalter und Teile.
- ◆ Stellen Sie sicher, dass das Gerät ordnungsgemäß funktioniert.
- ◆ Verwenden Sie das Gerät nicht, wenn es beschädigt oder fehlerhaft ist.
- ◆ Verwenden Sie das Gerät nicht, wenn der Ein-/Ausschalter nicht funktioniert.
- ◆ Im Schadensfall darf das Gerät nur durch eine autorisierte Vertragswerkstatt repariert werden. Versuchen Sie nicht, das Gerät selbst zu reparieren.
- ◆ Achten Sie auf sorgfältige Kabelführung, um unbeabsichtigte Kabelschäden zu vermeiden. Führen Sie das Kabel zum Beispiel über Ihre Schulter.

- ◆ Das Gerät ist zu Ihrer Sicherheit mit einer Zweihandbetätigung ausgestattet. Durch dieses System wird das versehentliche Einschalten des Geräts verhindert. Das Gerät kann nur betrieben werden, wenn es mit beiden Händen gehalten wird.

## Ein- und Ausschalten

### Einschalten

Halten Sie mit einer Hand den vorderen Griff (1), sodass der vordere Griffschalter (2) in das Gehäuse des Geräts gedrückt wird. Drücken Sie mit der anderen Hand den Auslöser (3), um das Gerät einzuschalten.

### Ausschalten

Lassen Sie zum Ausschalten des Geräts den vorderen Griffschalter (2) oder den Auslöser (3) los.

**Achtung!** Versuchen Sie niemals, einen Schalter in der Einschaltstellung zu arretieren.

### Hinweise für optimale Funktion

- ◆ Beginnen Sie mit dem Beschnitt an der Oberseite der Hecke. Neigen Sie das Gerät leicht (bis zu 15° relativ zur Schnittlinie), sodass die Messerspitzen in Richtung der Hecke zeigen (Abb. E). So arbeiten die Messer effektiver. Halten Sie das Gerät im gewünschten Winkel, und führen Sie es stetig entlang der Schnittlinie. Mit dem doppelseitigen Schnittblatt können Sie in beiden Richtungen schneiden.
- ◆ Spannen Sie für besonders gerade Schnitte eine Richtschnur entlang der Schnittlinie auf der gewünschten Höhe. Schneiden Sie direkt über der Richtschnur.
- ◆ Schneiden Sie für gerade Seiten aufwärts in Wachstumsrichtung. Bei abwärts geführten Schnitten werden jüngere Zweige nach außen gebogen. Dies hat ungleichmäßige Seiten zur Folge (Abb. F).
- ◆ Achten Sie auf Fremdkörper. Vermeiden Sie besonders den Kontakt mit harten Objekten wie Metalldrähten und Geländern, da diese die Messer beschädigen können.
- ◆ Ölen Sie die Messer regelmäßig.

### Tipps für den Beschnitt (Großbritannien und Irland)

- ◆ Beschneiden Sie Hecken und Sträucher, die im Winter ihre Blätter verlieren, im Juni und Oktober.
- ◆ Beschneiden Sie immergrüne Hecken und Sträucher im April und August.
- ◆ Beschneiden Sie Nadelhölzer und andere schnell wachsende Sträucher von Mai bis Oktober alle sechs Wochen.

### Tipps für den Beschnitt (Australien und Neuseeland)

- ◆ Beschneiden Sie Hecken und Sträucher, die im Winter ihre Blätter verlieren, im Dezember und März.

- ◆ Beschneiden Sie immergrüne Hecken und Sträucher im September und Februar.
- ◆ Beschneiden Sie Nadelhölzer und andere schnell wachsende Sträucher von Oktober bis März alle sechs Wochen.

## Wartung

Ihr Black & Decker Gerät wurde im Hinblick auf eine lange Lebensdauer und einen möglichst geringen Wartungsaufwand entwickelt. Ein dauerhafter, einwandfreier Betrieb setzt eine regelmäßige Pflege und Reinigung voraus.

**Achtung!** Schalten Sie das Gerät vor der Durchführung von Pflege-, Reinigungs- und Wartungsarbeiten aus, und ziehen Sie den Netzstecker.

- ◆ Reinigen Sie die Messer nach dem Gebrauch sorgfältig. Tragen Sie nach der Reinigung leichtes Maschinenöl auf die Messer auf, um Rostbildung vorzubeugen.
- ◆ Reinigen Sie regelmäßig die Lüftungsschlitze im Gerät mithilfe einer weichen trockenen Bürste oder eines trockenen Tuchs.
- ◆ Reinigen Sie regelmäßig das Motorgehäuse mithilfe eines sauberen, feuchten Tuchs. Verwenden Sie keine scheuernden Reinigungsmittel oder Reinigungsmittel auf Lösungsmittelbasis.
- ◆ Stellen Sie vor und nach dem Gebrauch sicher, dass alle Schalter frei von Verschmutzungen sind.

### Entfernen der Schutzvorrichtung (Abb. B)

**Achtung!** Entfernen Sie die Schutzvorrichtung nur zu Wartungszwecken. Bringen Sie die Schutzvorrichtung nach der Wartung stets erneut an.

- ◆ Entfernen Sie die Schrauben (8).
- ◆ Ziehen Sie die Schutzvorrichtung (6) vom Gerät ab.

### Problembehebung

Wenn das Gerät nicht ordnungsgemäß funktioniert, überprüfen Sie folgenden Punkte:

Fehler	Mögliche Ursache	Behebung
Das Gerät startet nicht.	Defekte Sicherung	Ersetzen Sie die Sicherung.
	Aktivierter Fehlerstromschutzschalter	Überprüfen Sie den Fehlerstromschutzschalter.
	Netz Kabel nicht verbunden	Überprüfen Sie den Netzanschluss.

**Umweltschutz**



Getrennte Entsorgung. Dieses Produkt darf keinesfalls mit dem Hausmüll entsorgt werden.

Sollten Sie Ihr Black & Decker Produkt eines Tages ersetzen oder nicht mehr benötigen, entsorgen Sie es nicht mit dem Hausmüll, sondern führen Sie das Produkt einer getrennten Sammlung zu.



Durch die getrennte Sammlung von ausgedienten Produkten und Verpackungsmaterialien können Rohstoffe recycelt und wiederverwendet werden. Die Wiederverwendung aufbereiteter Materialien trägt zur Vermeidung der Umweltverschmutzung bei und senkt den Rohstoffbedarf.

Die Verordnung zur Abfallentsorgung Ihrer Gemeinde sieht möglicherweise vor, dass Elektrogeräte getrennt vom Hausmüll gesammelt, an der örtlichen Abfallentsorgungseinrichtung abgegeben oder beim Kauf eines neuen Produkts vom Fachhandel zur Entsorgung angenommen werden müssen.

Black & Decker nimmt Ihre ausgedienten Black & Decker Geräte gern zurück und sorgt für eine umweltfreundliche Entsorgung bzw. Wiederverwertung. Um diese Dienstleistung in Anspruch zu nehmen, geben Sie das Gerät bitte bei einer autorisierten Reparaturwerkstatt ab, die für uns die Einsammlung übernimmt.

Die Adresse der zuständigen Niederlassung von Black & Decker steht in dieser Anleitung. Diese teilt Ihnen gerne die nächstgelegene Vertragswerkstatt mit. Außerdem ist eine Liste der Vertragswerkstätten und aller Kundendienststellen von Black & Decker sowie der zuständigen Ansprechpartner im Internet zu finden unter: [www.2helpU.com](http://www.2helpU.com).

**Technische Daten**

	GT5026 TYP 1	GT6025 TYP 1	GT6026 TYP 1	GT6030 TYP 1	GT6530 TYP 1	GT7026 TYP 1	GT7030 TYP 1
Spannung	VAC 230	230	230	230	230	230	230
Leistungsaufnahme	W 600	600	650	650	350	700	700
Messertakt (lastfrei)	min-1 1400	1400	1400	1400	1400	1400	1400
Messeriänge	cm 50	60	60	60	65	70	70
Messerabstand	mm 26	26	26	30	30	26	30
Messerbremszeit	s <1,0	<1,0	<1,0	<1,0	<1,0	<1,0	<1,0
Gewicht (ohne Netzkabel)	kg 4,9	4,9	4,9	4,9	4,9	4,9	4,9

Gesamtvibration (Triax-Vektorsumme) gemäß EN 60745:  
 Bewertete Vibrationsemissionen ( $a_h$ ) 4,6 m/s<sup>2</sup>,  
 Unsicherheitsfaktor (K) 1,5 m/s<sup>2</sup>

**EU-Konformitätserklärung**  
 MASCHINENRICHTLINIE  
 AUSSENLAUTSTÄRKERICHTLINIE



**GT5026, GT6025, GT6026, GT6030, GT6530,  
 GT7026, GT7030**

Black & Decker erklärt, dass diese unter „Technische Daten“  
 beschriebenen Geräte übereinstimmen mit:  
 98/37/EG (bis zum 28. Dez. 2009)  
 2006/42/EG (ab dem 29. Dez. 2009)  
 EN60745-1, EN60745-2-15

2000/14/EC, Heckenschere, Anhang V,

Schallpegel gemäß 2000/14/EG (Artikel 13, Anhang III, 6)  
 $L \leq 50$  cm):

$L_{WA}$  (gemessene Schalleistung) 97 db  
 Unsicherheitsfaktor (K) 3 dB(A)

$L_{WA}$  (garantierte Schalleistung) 102 db  
 Unsicherheitsfaktor (K) 3 dB(A)

Diese Produkte entsprechen außerdem der Richtlinie  
 2004/108/EG. Weitere Informationen erhalten Sie von  
 Black & Decker unter der folgenden Adresse. Diese  
 befindet sich auch auf der Rückseite dieser Anleitung.

Der Unterzeichnete ist verantwortlich für die  
 Zusammenstellung der technischen Daten und gibt  
 diese Erklärung im Namen von Black & Decker ab.

Kevin Hewitt  
 Vice-President Global Engineering  
 Black & Decker Europe,  
 210 Bath Road, Slough,  
 Berkshire, SL1 3YD  
 Großbritannien  
 24.11.2009

## Garantie

Black & Decker vertraut auf die Qualität der eigenen Geräte  
 und bietet dem Käufer eine außergewöhnliche Garantie.  
 Diese Garantiezusage versteht sich unbeschadet der  
 gesetzlichen Gewährleistungsansprüche und schränkt diese  
 keinesfalls ein. Sie gilt in sämtlichen Mitgliedstaaten  
 der Europäischen Union und der Europäischen  
 Freihandelszone EFTA.

Tritt innerhalb von 24 Monaten ab Kaufdatum an einem  
 Gerät von Black & Decker ein auf Material- oder  
 Verarbeitungsfehler zurückzuführender Mangel auf,  
 garantiert Black & Decker den Austausch defekter Teile,  
 die Reparatur von Geräten mit üblichem Verschleiß bzw.  
 den Austausch eines mangelhaften Gerätes, ohne dass dem  
 Kunden dabei mehr als unvermeidlich Unannehmlichkeiten  
 entstehen, allerdings vorbehaltlich folgender Ausnahmen:

- ◆ Wenn das Gerät gewerblich, beruflich oder  
 im Verleihgeschäft benutzt wurde.
- ◆ Wenn das Gerät missbräuchlich verwendet oder  
 mit mangelnder Sorgfalt behandelt wurde.
- ◆ Wenn das Gerät durch Fremdeinwirkung  
 beschädigt wurde.
- ◆ Wenn ein unbefugter Reparaturversuch durch anderes  
 Personal als das einer Vertragswerkstatt oder des  
 Black & Decker Kundendienstes unternommen wurde.

Zur Inanspruchnahme dieser Garantie ist dem Verkäufer  
 bzw. der Vertragswerkstatt ein Kaufnachweis vorzulegen.  
 Die Adresse der zuständigen Niederlassung von  
 Black & Decker steht in dieser Anleitung. Diese teilt  
 Ihnen gerne die nächstgelegene Vertragswerkstatt mit.  
 Außerdem ist eine Liste der Vertragswerkstätten und  
 aller Kundendienststellen von Black & Decker sowie der  
 zuständigen Ansprechpartner im Internet zu finden unter:  
**[www.2helpU.com](http://www.2helpU.com)**.

Bitte besuchen Sie unsere Webseite  
**[www.blackanddecker.de](http://www.blackanddecker.de)**, um Ihr neues Black & Decker  
 Produkt zu registrieren und über neue Produkte und  
 Sonderangebote informiert zu werden. Weitere  
 Informationen über die Marke Black & Decker und unsere  
 Produkte finden Sie unter **[www.blackanddecker.de](http://www.blackanddecker.de)**.



## Utilisation

Votre taille-haie Black & Decker est conçu pour tailler les haies, les arbustes et les ronces. Cet outil est destiné à une utilisation exclusivement domestique.

## Consignes de sécurité

### Consignes de sécurité concernant les outils électroportatifs



**Attention ! Lisez avec attention tous les avertissements et toutes les instructions.**

Le non-respect de cette consigne peut entraîner une électrocution, un incendie et/ou de graves blessures.

### Conservez tous les avertissements et instructions pour référence ultérieure.

La notion d'« outil électroportatif » mentionnée par la suite se rapporte à des outils électriques raccordés au secteur (avec câble de raccordement) ou fonctionnant avec batterie (sans fil).

1. **Sécurité de la zone de travail**
  - a. **Maintenez la zone de travail propre et bien éclairée.** Un lieu de travail en désordre ou mal éclairé augmente le risque d'accidents.
  - b. **N'utilisez pas les outils électroportatifs dans un environnement présentant des risques d'explosion ni en présence de liquides, gaz ou poussières inflammables.** Les outils électroportatifs génèrent des étincelles risquant d'enflammer les poussières ou les vapeurs.
  - c. **Pendant l'utilisation d'un outil électroportatif, les enfants et autres personnes doivent rester éloignés.** En cas d'inattention, vous risquez de perdre le contrôle de l'outil.
2. **Sécurité électrique**
  - a. **La prise de l'outil électroportatif doit convenir à la prise de courant. Ne modifiez en aucun cas la prise. N'utilisez pas de prises d'adaptateur avec des appareils ayant une prise de terre.** Le respect de ces consignes réduit le risque de choc électrique.
  - b. **Évitez le contact physique avec des surfaces mises à la terre telles que tuyaux, radiateurs, fours et réfrigérateurs.** Le risque de choc électrique augmente si votre corps est relié à la terre.
  - c. **N'exposez pas l'outil électroportatif à la pluie ni à l'humidité.** La pénétration d'eau dans un outil électroportatif augmente le risque de choc électrique.
  - d. **Préservez le câble d'alimentation. N'utilisez pas le câble pour porter l'outil, pour l'accrocher ou encore pour le débrancher. Maintenez le câble éloigné des sources de chaleurs, des parties huilées, des bords tranchants ou des parties de l'appareil en rotation.** Le risque de choc électrique augmente si les câbles sont endommagés ou emmêlés.
  - e. **Si vous utilisez l'outil électroportatif à l'extérieur, utilisez une rallonge homologuée pour utilisation à l'air libre.** L'utilisation d'une rallonge électrique homologuée pour les travaux à l'extérieur réduit le risque de choc électrique.
  - f. **Si l'outil doit être utilisé dans un endroit humide, prenez les précautions nécessaires en utilisant un dispositif à courant résiduel (RCD).** L'utilisation d'un tel dispositif réduit les risques d'électrocution.
3. **Sécurité personnelle**
  - a. **Restez vigilant, surveillez ce que vous faites. Faites preuve de bon sens quand vous utilisez un outil électroportatif. N'utilisez pas l'outil lorsque vous êtes fatigué ou après avoir consommé de l'alcool ainsi que des médicaments.** Un moment d'inattention lors de l'utilisation de l'outil peut entraîner de graves blessures.
  - b. **Portez un équipement de protection. Portez toujours des lunettes de protection.** Selon le travail à effectuer, le port d'équipement de protection tels que masque anti-poussières, chaussures de sécurité antidérapantes, casque ou protection auditive, réduit le risque de blessures.
  - c. **Évitez un démarrage imprévu. L'appareil doit être en position OFF (arrêt) avant d'effectuer le branchement à l'alimentation et/ou au bloc-batterie, de le ramasser ou de le porter.** Ne laissez pas votre doigt sur le bouton de commande, ceci peut être à l'origine d'accidents.
  - d. **Retirez tout outil ou clé de réglage avant de mettre l'outil en marche.** Une clé ou un outil se trouvant sur une partie en rotation peut causer des blessures.
  - e. **Adoptez une position confortable. Adoptez une position stable et gardez votre équilibre en permanence.** Vous contrôlerez ainsi mieux l'outil dans des situations inattendues.
  - f. **Portez des vêtements appropriés. Ne pas porter de vêtements flottants ou de bijoux. N'approchez pas les cheveux, vêtements ou gants des parties des pièces mobiles.** Les vêtements amples, les bijoux ou les cheveux longs peuvent être attrapés dans les pièces en mouvement.

g. **En cas d'utilisation d'appareils servant à aspirer ou à recueillir les poussières, assurez-vous qu'ils sont correctement raccordés et utilisés.** L'utilisation de tels appareils permet de réduire les dangers liés aux poussières.

#### 4. Utilisation des outils électroportatifs et précautions

a. **Respectez la capacité de l'outil. Utilisez l'outil électroportatif approprié pour le travail à effectuer.** Avec un outil approprié, vous travaillerez mieux et en toute sécurité.

b. **N'utilisez pas un outil électroportatif dont l'interrupteur marche/arrêt est défectueux.** Un outil électroportatif qui ne peut plus être mis en marche ou arrêté est dangereux et doit être réparé.

c. **Retirez la prise de courant et/ou débranchez le bloc-batterie avant d'effectuer des réglages, de changer les accessoires ou de ranger l'outil.** Cette mesure de précaution empêche de mettre l'outil en marche accidentellement.

d. **Rangez les outils électroportatifs hors de portée des enfants. Les personnes ne connaissant pas l'outil ou n'ayant pas lu ces instructions ne doivent en aucun cas l'utiliser.** Les outils électroportatifs sont dangereux lorsqu'ils sont utilisés par des personnes non initiées.

e. **Prenez soin des outils électroportatifs. Vérifiez que les parties en mouvement fonctionnent correctement et qu'elles ne sont pas coincées. Vérifiez qu'il n'y a pas de pièces cassées ou endommagées susceptibles de nuire au bon fonctionnement de l'outil. S'il est endommagé, faites réparer l'outil avant de l'utiliser.** De nombreux accidents sont la conséquence d'outils mal entretenus.

f. **Maintenez les outils de coupe aiguisés et propres.** Des outils soigneusement entretenus avec des bords tranchants bien aiguisés se coincent moins souvent et peuvent être guidés plus facilement.

g. **Utilisez les outils électroportatifs, les accessoires, etc. en suivant ces instructions et en tenant compte des conditions de travail, ainsi que du travail à effectuer.** L'utilisation des outils électroportatifs à d'autres fins que celles prévues peut vous mettre en situation dangereuse.

#### 5. Réparations

a. **Faites réparer votre outil électroportatif uniquement par du personnel qualifié et seulement avec des pièces de rechange appropriées.** La fiabilité de l'outil sera ainsi maintenue.

#### Consignes de sécurité supplémentaires concernant les outils électroportatifs



Consignes de sécurité d'utilisation du taille-haie.

- ◆ **Ne laissez aucune partie du corps près de la lame. Ne cherchez pas à retirer les éléments coupés ou à tenir les éléments à couper quand les lames fonctionnent. L'outil doit être hors tension pour nettoyer les éléments coupés.** Un moment d'inattention lors de l'utilisation du taille-haie peut entraîner de graves blessures.
- ◆ **Le taille-haie doit être porté par la poignée avec la lame arrêtée. Pendant le transport ou le rangement du taille-haie, installez toujours la protection de la lame.** En respectant ces consignes, les risques de blessures sont limités.
- ◆ **Éloignez le câble des zones de coupe.** Pendant le fonctionnement, le câble peut être caché par des arbustes et risque d'être sectionné par la lame.
- ◆ Évitez les objets durs (par exemple, les fils en métal, les rampes) pendant la taille. Si vous touchez ce genre d'objet par accident, éteignez immédiatement l'outil et vérifiez s'il y a eu des dommages.
- ◆ Tenez toujours l'outil avec les deux mains et par les poignées prévues à cet effet.
- ◆ Cet outil ne peut être utilisé par des personnes (y compris des enfants) ayant des capacités mentales, sensorielles ou physiques réduites, ou celles manquant d'expérience et de connaissances, à moins qu'elles ne soient encadrées ou qu'elles n'aient été formées à l'utilisation de l'appareil par une personne responsable de leur sécurité. Ne laissez jamais les enfants sans surveillance pour éviter qu'ils ne jouent avec cet outil.
- ◆ Ce manuel d'instruction décrit comment utiliser cet outil. L'utilisation d'un accessoire ou d'une fixation, ou bien l'utilisation de cet appareil à d'autres fins que celles recommandées dans ce manuel d'instruction peut entraîner des blessures et/ou des dommages matériels.
- ◆ Évitez un démarrage imprévu. Ne portez pas l'outil avec la main sur la poignée avant ou un doigt sur le déclencheur marche/arrêt sauf s'il est débranché ou si la batterie a été retirée. Assurez-vous que l'outil est éteint pour le brancher.
- ◆ Si vous n'avez jamais utilisé de taille-haie, demandez à une personne expérimentée de vous donner quelques instructions et étudiez ce manuel.
- ◆ Ne touchez jamais les lames quand l'outil fonctionne.
- ◆ N'arrêtez jamais les lames de force.
- ◆ Ne posez pas l'outil avant l'arrêt complet des lames.

- ◆ Vérifiez régulièrement l'état des lames. N'utilisez pas l'outil quand les lames sont endommagées.
- ◆ Si l'outil vibre anormalement, éteignez immédiatement l'outil et vérifiez s'il y a eu des dommages.
- ◆ Si l'outil cale, éteignez-le immédiatement. Débranchez l'outil ou retirez la batterie avant d'essayer de retirer les éléments qui le bloquent.
- ◆ Après l'utilisation, placez la gaine sur les lames. Rangez l'outil en prenant soin de ne pas laisser la lame apparente.
- ◆ Vérifiez que toutes les protections sont installées quand l'outil est utilisé. N'essayez jamais d'utiliser un outil auquel il manquerait des pièces ou un outil ayant subi des modifications non autorisées.
- ◆ Ne laissez jamais les enfants utiliser l'outil.
- ◆ Faites attention aux branches qui tombent lorsque vous taillez le haut d'une haie.

### Sécurité des personnes

- ◆ Cet appareil ne doit pas être utilisé par des personnes (y compris les enfants) ayant des déficiences physiques, mentales ou sensorielles. Cette consigne s'applique aussi aux personnes manquant d'expérience et de connaissance du matériel, à moins que celles-ci n'aient reçu les instructions appropriées ou qu'elles ne soient encadrées par une personne responsable de leur sécurité pour utiliser l'appareil.
- ◆ Ne laissez jamais les enfants sans surveillance pour éviter qu'ils ne jouent avec cet appareil.

### Vibration

La valeur d'émission de vibration déclarée dans la section Déclaration/Données techniques de conformité a été mesurée selon une méthode d'essai standard fournie par la norme EN60745 et peut être utilisée pour comparer un outil à un autre. Elle peut aussi être utilisée pour une évaluation préliminaire à l'exposition.

**Attention !** Selon la manière dont l'outil est utilisé, la valeur d'émission de vibration pendant l'utilisation en cours de l'outil peut être différente de la valeur déclarée. Le niveau de vibration peut augmenter au-dessus du niveau établi.

Quand l'exposition aux vibrations est évaluée afin de déterminer les mesures de sécurité requises par la norme 2002/44/CE pour protéger les personnes utilisant régulièrement des outils électroportatifs, une estimation de l'exposition aux vibrations doit tenir compte des

conditions actuelles d'utilisation et de la manière dont l'outil est utilisé. Il faut aussi tenir compte de toutes les pièces du cycle de fonctionnement comme la durée pendant laquelle l'outil est arrêté et quand il fonctionne au ralenti, ainsi que la durée du déclenchement.

### Étiquettes sur les outils

Les pictogrammes ci-dessous figurent sur l'outil :



**Attention !** Pour réduire le risque de blessures, l'utilisateur doit lire les instructions du manuel.



Portez toujours des lunettes de sécurité et des protections auditives pour utiliser cet outil.



Portez des gants pour utiliser cet outil.



Débranchez immédiatement le câble du secteur s'il est endommagé ou coupé.



N'exposez pas l'outil à la pluie ou à l'humidité.

### Sécurité électrique



Cet outil est doublement isolé; par conséquent, aucun câble de masse n'est nécessaire. Vérifiez si l'alimentation mentionnée sur la plaque signalétique de l'outil correspond bien à la tension présente sur le lieu.

- ◆ Si le câble d'alimentation est endommagé, il doit être remplacé par le fabricant ou par un Centre de réparation agréé Black & Decker pour éviter tout risque d'accident.
- ◆ Utilisez un dispositif de courant résiduel à grande sensibilité, 30 mA (RCD) pour améliorer la sécurité électrique.

### Utilisation d'une rallonge

Utilisez toujours une rallonge correspondant à l'alimentation de cet outil (voir les données techniques). La rallonge doit pouvoir être utilisée à l'extérieur et homologuée pour le faire. Il est possible d'utiliser une rallonge HO5V V-F de 1,5 mm<sup>2</sup> sur une longueur allant jusqu'à 30 m tout en conservant les performances de la tondeuse. Avant l'utilisation, vérifiez l'état de la rallonge. Remplacez-la si elle est endommagée ou défectueuse. Si la rallonge est enroulée, elle doit toujours être déroulée complètement.

## Caractéristiques

1. Poignée avant
2. Bouton de poignée avant
3. Déclencheur
4. Lame
5. Gaine
6. Protection

Les éléments suivants se trouvent sur votre taille-haie :

- ◆ Poignées ergonomiques pour plus de confort.
- ◆ Lames usinées pour coupe plus efficace.
- ◆ Lames à double mouvement pour moins de vibrations.

## Assemblage

**Attention !** Avant l'assemblage, assurez-vous que l'outil est éteint, débranché et que la gaine est sur les lames.

### Installation de la poignée (figure A)

- ◆ Glissez la poignée (1) sur les lames (4).
- ◆ Enfoncez la poignée (1) en position sur le bas de l'outil.
- ◆ Fixez la poignée avec les 4 vis (7) fournies.

### Fixation de la protection (figure B)

- ◆ Placez la protection (6) dans les rainures de l'outil.
- ◆ Serrez la protection (6) avec les deux vis (8) fournies.

**Attention !** N'utilisez jamais l'outil sans protection.

### Installation de protection d'extrémité de lame (figure C)

Un dispositif de protection d'extrémité de lame (10) est fourni en option pour protéger l'extrémité des lames (4) dans les travaux de coupe près de surface dure.

- ◆ Alignez la protection (10) avec les deux trous à l'extrémité du support de lame.
- ◆ Serrez la protection avec les deux vis (9) fournies.

### Branchement de l'outil au secteur (figure D)

À moins que l'outil ne puisse être utilisé avec un câble de secteur, il vous faudra brancher une rallonge à la prise.

- ◆ Branchez la rallonge à la prise de l'outil.
- ◆ Accrochez le câble au dispositif de blocage (11) comme indiqué, pour éviter que la rallonge ne se débranche pendant l'utilisation.
- ◆ Branchez la prise secteur.

**Attention !** La rallonge doit être adaptée à une utilisation à l'extérieur. Si vous utilisez un dévidoir, le câble doit être complètement déroulé.

## Risques résiduels

L'utilisation d'un outil non mentionné dans les consignes de sécurité données peut entraîner des risques résiduels supplémentaires. Ces risques peuvent survenir si l'outil est mal utilisé, si l'utilisation est prolongée, etc.

Malgré l'application des normes de sécurité correspondantes et la présence de dispositifs de sécurité,

les risques résiduels suivants ne peuvent être évités. Ceci comprend :

- ◆ Les blessures dues au contact avec une pièce mobile/ en rotation.
- ◆ Les blessures causées en changeant des pièces, lames ou accessoires.
- ◆ Les blessures dues à l'utilisation prolongée d'un outil. Une utilisation prolongée de l'outil nécessite des pauses régulières.
- ◆ Déficience auditive.
- ◆ Risques pour la santé causés par l'inhalation de poussières produites pendant l'utilisation de l'outil (exemple : travail avec du bois, surtout le chêne, le hêtre et les panneaux en MDF).

## Utilisation

**Attention !** Laissez l'outil fonctionner à sa propre vitesse. Ne dépassez pas sa capacité.

- ◆ Avant l'utilisation, vérifiez si l'outil et le câble secteur sont en bon état. Vérifiez bien les protections, les boutons et les pièces.
- ◆ Vérifiez le fonctionnement de l'outil et ses différentes options.
- ◆ N'utilisez pas l'outil si une pièce est endommagée ou défectueuse.
- ◆ N'utilisez pas l'outil si le bouton marche/arrêt est défectueux.
- ◆ S'il est endommagé, faites-le réparer par un réparateur agréé. En aucun cas, n'essayez de réparer vous-même.
- ◆ Prenez les précautions nécessaires pour guider le câble et éviter de le sectionner. Le meilleur moyen est de passer le câble sur votre épaule.
- ◆ Pour votre sécurité, cet outil est équipé d'un double système de commutation. Ce système évite le démarrage accidentel de l'outil et permet le fonctionnement de l'outil uniquement quand il est tenu avec les deux mains.

## Démarrer et arrêter

### Démarrage

Tenez l'outil d'une main par la poignée avant (1), le bouton de poignée avant (2) est ainsi enfoncé dans l'outil. Avec l'autre main, appuyez sur le déclencheur (3) pour démarrer l'outil.

### Arrêt

Relâchez le bouton de poignée avant (2) ou le déclencheur (3).

**Attention !** N'essayez jamais de bloquer une commande en position marche.

### Conseils pour une utilisation optimale

- ◆ Commencez par tailler le haut de la haie. Inclinez légèrement l'outil (jusqu'à environ 15° de la ligne de coupe) pour que les extrémités de la lame pointent vers la haie (figure E). La lame est ainsi plus efficace. Tenez l'outil à l'angle désiré et déplacez-le régulièrement le long de la ligne de coupe. La double lame permet de coupe dans les deux directions.
- ◆ Pour obtenir une coupe droite, tendez une corde sur la longueur de la haie à la hauteur désirée. Utilisez la corde comme guide et coupez juste au-dessus.
- ◆ Pour que les côtés soient droits, coupez vers le haut. Les jeunes pousses sortent quand la lame coupe vers le bas, ce qui donne une taille irrégulière (figure F).
- ◆ Évitez les corps étrangers, surtout s'ils sont durs comme les fils en métal et les rampes. Ils pourraient endommager les lames.
- ◆ Graissez régulièrement les lames.

### Consignes pour la taille (Royaume-Uni et Irlande)

- ◆ Taille des haies et des arbustes avec feuilles caduques (nouvelles feuilles chaque année) en juin et en octobre.
- ◆ Taille des arbres à feuillage persistant en avril et août.
- ◆ Taille des conifères et autres arbustes à pousse rapide toutes les six semaines de mai à octobre.

### Consignes pour la taille (Australie et Nouvelle-Zélande)

- ◆ Taille des haies et des arbustes avec feuilles caduques (nouvelles feuilles chaque année) en décembre et en mars.
- ◆ Taille des arbres à feuillage persistant en septembre et février.
- ◆ Taille des conifères et autres arbustes à pousse rapide toutes les six semaines d'octobre à mars.

### Entretien

Votre outil Black & Decker a été conçu pour fonctionner pendant longtemps avec un minimum d'entretien.

Un fonctionnement continu satisfaisant dépend d'un nettoyage régulier et d'un entretien approprié de l'outil.

**Attention !** Préalablement à toute opération d'entretien, éteignez et débranchez l'outil.

- ◆ Une fois la taille terminée, nettoyez avec précaution les lames. Après avoir nettoyé les lames, appliquez une fine couche d'huile machine pour éviter la rouille.
- ◆ Nettoyez régulièrement les orifices de ventilation de votre outil à l'aide d'une brosse douce et sèche ou d'un chiffon sec.
- ◆ Nettoyez régulièrement le compartiment du moteur à l'aide d'un chiffon humide et propre. N'utilisez pas de produit abrasif ou à base de solvant.

- ◆ Ne laissez aucun débris sur les boutons avant et après l'utilisation.

### Retrait de la protection (figure B)

**Attention !** Retirez la protection uniquement pour l'entretien. Réinstallez toujours la protection après l'entretien.

- ◆ Retirez les vis (8).
- ◆ Glissez la protection (6) hors de l'outil.

### Dépannage

Si l'outil ne fonctionne pas correctement, vérifiez ce qui suit :

Panne	Cause possible	Mesure à prendre
L'outil ne démarre pas	Fusible grillé	Remplacer le fusible
	Déclenchement du circuit RCD	Vérifier le circuit RCD
	Câble secteur débranché	Vérifier l'alimentation secteur

### Protection de l'environnement



Recyclage. Cet appareil ne doit pas être jeté avec les déchets ménagers.

Si votre appareil Black & Decker doit être remplacé ou si vous n'en avez plus l'usage, ne le jetez pas avec les ordures ménagères. Songez à la protection de l'environnement et recyclez-les.



La collecte séparée des produits et des emballages usagés permet de recycler et de réutiliser des matériaux. La réutilisation de matériaux recyclés évite la pollution de l'environnement et réduit la demande de matières premières.

Des réglementations locales peuvent stipuler la collecte séparée des produits électriques et des produits ménagers, dans des déchetteries municipales ou par le revendeur lorsque vous achetez un nouveau produit.

Black & Decker offre une solution permettant de recycler les produits Black & Decker lorsqu'ils ont atteint la fin de leur cycle de vie. Pour pouvoir profiter de ce service, veuillez retourner votre produit à un réparateur agréé qui se chargera de le collecter pour nous.

Pour connaître l'adresse du réparateur agréé le plus proche de chez vous, contactez le bureau Black & Decker à l'adresse indiquée dans ce manuel. Vous pourrez aussi trouver une liste de réparateurs agréés de Black & Decker et de plus amples détails concernant notre service après-vente sur le site Internet : [www.2helpU.com](http://www.2helpU.com).

## Caractéristiques techniques

	GT5026 TYPE 1	GT6025 TYPE 1	GT6026 TYPE 1	GT6030 TYPE 1	GT6530 TYPE 1	GT7026 TYPE 1	GT7030 TYPE 1
Tension	V c.a. 230	230	230	230	230	230	230
Puissance absorbée	W 600	600	650	650	350	700	700
Nombre de montée-descente de lame (sans charge)	Par minute 1400	1400	1400	1400	1400	1400	1400
Longueur de la lame	cm 50	60	60	60	65	70	70
Jeu de lame	mm 26	26	26	30	30	26	30
Freinage de lame	s <1,0	<1,0	<1,0	<1,0	<1,0	<1,0	<1,0
Poids (sans cordon l'alimentation)	kg 4,9	4,9	4,9	4,9	4,9	4,9	4,9

Valeurs totales des vibrations (somme vectorielle triaxiale) selon la norme EN 60745 :

Valeur d'émission de vibration ( $a_h$ )  $4.6 \text{ m/s}^2$ ,  
incertitude ( $K$ )  $1.5 \text{ m/s}^2$

**Déclaration de conformité CE**

CONSIGNES DE MACHINERIE  
CONSIGNES NUISANCES SONORES EXTÉRIEURES



**GT5026, GT6025, GT6026, GT6030, GT6530,  
GT7026, GT7030**

Black & Decker confirme que les produits décrits dans les « Données techniques » sont conformes aux normes : 98/37/CE (jusqu'au 28 déc. 2009), 2006/42/CE (à partir du 29 déc. 2009), EN60745-1, EN60745-2-15

2000/14/EC, taille-haie, Annexe V,

Niveau de puissance sonore selon la norme 2000/14/CE (Article 13, Annexe III,  $L \leq 50$ cm) :

$L_{WA}$  (puissance sonore mesurée) 97 db  
incertitude (K) 3 dB(A)

$L_{WA}$  (puissance sonore garantie) 102 db  
incertitude (K) 3 dB(A)

Ces produits sont conformes aux normes 2004/108/CE.  
Pour plus de détails, veuillez contacter Black & Decker à l'adresse suivante ou reportez-vous au dos du manuel.

Le soussigné est responsable des données de la fiche technique et fait cette déclaration au nom de Black & Decker.

Kevin Hewitt  
Vice-President Global Engineering  
Black & Decker Europe,  
210 Bath Road, Slough,  
Berkshire, SL1 3YD  
Royaume-Uni  
24-11-2009

**Garantie**

Black & Decker vous assure la qualité de ses produits et vous offre une garantie très étendue. Ce certificat de garantie est un document supplémentaire et ne peut en aucun cas se substituer à vos droits légaux. La garantie est valable sur tout le territoire des États Membres de l'Union Européenne et de la Zone de Libre Échange Européenne.

Si un produit Black & Decker s'avère défectueux en raison de matériaux en mauvais état, d'une erreur humaine, ou d'un manque de conformité dans les 24 mois suivant la date d'achat, Black & Decker garantit le remplacement des pièces défectueuses, la réparation des produits usés ou cassés ou remplace ces produits à la convenance du client, sauf dans les circonstances suivantes :

- ◆ Le produit a été utilisé dans un but commercial, professionnel, ou a été loué.
- ◆ Le produit a été mal utilisé ou avec négligence.
- ◆ Le produit a subi des dommages à cause de corps étrangers, de substances ou d'accidents.
- ◆ Des réparations ont été tentées par des techniciens ne faisant pas partie du service technique de Black & Decker.

Pour avoir recours à la garantie, il est nécessaire de fournir une preuve d'achat au vendeur ou à un réparateur agréé. Pour connaître l'adresse du réparateur agréé le plus proche de chez vous, contactez le bureau Black & Decker à l'adresse indiquée dans ce manuel. Vous pourrez aussi trouver une liste de réparateurs agréés de Black & Decker et de plus amples détails sur notre service après-vente sur le site Internet à l'adresse suivante : **www.2helpU.com**.

Visitez notre site Web **www.blackanddecker.fr** pour enregistrer votre nouveau produit Black & Decker et être informé des nouveaux produits et des offres spéciales. Pour plus d'informations concernant la marque Black & Decker et notre gamme de produits, consultez notre site **www.blackanddecker.fr**.

## Uso previsto

Il tagliasepi Black & Decker è stato concepito per potare siepi, cespugli e rovi. L'elettrotensile è stato progettato per un uso individuale.

## Istruzioni di sicurezza

### Avvisi di sicurezza generici per gli elettrotensili



**Attenzione! Leggere tutti gli avvisi di sicurezza e tutte le istruzioni.** La mancata osservanza di tutte le istruzioni potrebbe causare scosse elettriche, incendi e/o infortuni gravi.

### Conservare tutte le istruzioni e gli avvisi per futura consultazione.

Il termine "elettrotensile" che ricorre in tutte le avvertenze seguenti si riferisce ad utensili elettrici con o senza filo.

1. **Sicurezza nella zona di lavoro**
  - a. **Mantenere pulita e bene illuminata la zona di lavoro.** Il disordine e la scarsa illuminazione possono causare incidenti.
  - b. **Evitare d'impiegare gli elettrotensili in ambienti esposti al rischio di esplosione, ad esempio in presenza di liquidi, gas o polveri infiammabili.** Gli elettrotensili producono scintille che possono far infiammare la polvere o i fumi.
  - c. **Mantenere lontani bambini ed astanti mentre si usa l'elettrotensile.** Eventuali distrazioni possono comportare la perdita del controllo dell'elettrotensile.
2. **Sicurezza elettrica**
  - a. **Le spine elettriche degli elettrotensili devono essere adatte alla presa. Evitare assolutamente di modificare la spina. Non impiegare spine adattatrici con elettrotensili provvisti di messa a terra.** L'uso di spine inalterate e delle prese corrispondenti riduce il rischio di scosse elettriche.
  - b. **Evitare il contatto fisico con superfici collegate a terra, come tubi, radiatori, forni e frigoriferi.** Un corpo collegato a terra è esposto maggiormente al rischio di scosse elettriche.
  - c. **Custodire gli elettrotensili al riparo dalla pioggia o dall'umidità.** L'eventuale infiltrazione di acqua in un elettrotensile va ad aumentare il rischio di scosse elettriche.
  - d. **Non esporre il cavo a sollecitazioni. Non usare il cavo per trasportare o trainare l'elettrotensile e non tirarlo per estrarre la spina dalla presa di corrente. Mantenere il cavo al riparo dal calore, da bordi taglienti e/o da parti in movimento.** I cavi danneggiati o aggrovigliati aumentano il rischio di scosse elettriche.
- e. **Se l'elettrotensile viene adoperato all'aperto, usare esclusivamente prolunghe omologate per l'impiego all'esterno.** Un cavo adatto per uso esterno riduce il rischio di scosse elettriche.
- f. **Se non è possibile evitare di lavorare in una zona umida, usare un'alimentazione elettrica protetta da un dispositivo a corrente residua (RCD).** L'uso di un dispositivo RCD riduce il rischio di scosse elettriche.
3. **Sicurezza delle persone**
  - a. **È importante concentrarsi su ciò che si sta facendo e maneggiare con giudizio l'elettrotensile. Non adoperare l'elettrotensile se si è stanchi o sotto l'effetto di stupefacenti, alcol o medicinali.** Un attimo di distrazione durante l'uso dell'elettrotensile può causare gravi infortuni personali.
  - b. **Utilizzare di un equipaggiamento di protezione personale. Indossare sempre degli occhiali di sicurezza.** Se si avrà cura d'indossare l'equipaggiamento protettivo come necessario, ad esempio una maschera antipolvere, delle calzature antiscivolo, un casco o delle otoprotezioni, si riduce il rischio di infortuni.
  - c. **Impedire l'avviamento involontario. Accertarsi che l'interruttore di accensione sia regolato su spento prima di collegare l'elettrotensile all'alimentazione elettrica e/o al battery pack, di prenderlo in mano o di trasportarlo.** Per non esporsi al rischio di incidenti, non trasportare gli elettrotensili tenendo le dita sull'interruttore oppure, se sono collegati a un'alimentazione elettrica, con l'interruttore acceso.
  - d. **Prima di accendere un elettrotensile, togliere eventuali chiavi o attrezzi di regolazione.** Un attrezzo o una chiave lasciati in un componente mobile dell'elettrotensile possono causare lesioni.
  - e. **Non sporgersi. Mantenere sempre un buon equilibrio evitando posizioni malsicure.** In questo modo è possibile controllare meglio l'elettrotensile in situazioni inaspettate.
  - f. **Vestirsi adeguatamente. Evitare di indossare indumenti larghi o gioielli. Tenere capelli, vestiti e guanti lontani da pezzi in movimento.** Vestiti larghi, gioielli o capelli lunghi possono impigliarsi nelle parti in movimento.
  - g. **Se gli elettrotensili sono provvisti di attacchi per il collegamento di dispositivi di aspirazione o di raccolta della polvere, assicurarsi che questi siano installati e utilizzati correttamente.** L'impiego di tali dispositivi può ridurre i rischi correlati alle polveri.



#### 4. Uso e cura degli elettrotensili

- a. **Non sovraccaricare l'elettrotensile. Usare l'elettrotensile adatto per il lavoro da eseguire.**  
Utilizzando l'elettrotensile adatto si potrà lavorare meglio e con maggiore sicurezza alla potenza nominale prevista.
- b. **Non utilizzare elettrotensili con interruttori difettosi.** Un elettrotensile che non può essere controllato mediante l'interruttore è pericoloso e deve essere riparato.
- c. **Scollegare la spina dalla presa di corrente e/o il battery pack dall'elettrotensile prima di regolarlo o di riporlo oppure di sostituire gli accessori.**  
Queste precauzioni di sicurezza riducono la possibilità che l'elettrotensile venga messo in funzione inavvertitamente.
- d. **Quando non vengono usati, gli elettrotensili devono essere custoditi fuori della portata dei bambini. Non consentire l'uso dell'elettrotensile a persone inesperte o che non abbiano letto le presenti istruzioni.** Gli elettrotensili risultano pericolosi se usati da persone inesperte.
- e. **Sottoporre gli elettrotensili alle necessarie procedure di manutenzione. Verificare che le parti mobili siano bene allineate e non inceppate, che non vi siano componenti rotti e che non sussistano altre condizioni che possano compromettere il funzionamento dell'elettrotensile. In caso di danni, riparare l'elettrotensile prima dell'uso.**  
La scarsa manutenzione causa molti incidenti.
- f. **Mantenere affilati e puliti gli utensili da taglio.**  
Se sottoposti alla giusta manutenzione, gli utensili da taglio con taglienti affilati s'inceppano meno frequentemente e sono più facili da manovrare.
- g. **Utilizzare l'elettrotensile, gli accessori e le punte in conformità delle presenti istruzioni, tenendo conto delle condizioni di lavoro e del lavoro da completare.** L'impiego degli elettrotensili per usi diversi da quelli consentiti può dar luogo a situazioni pericolose.
5. **Riparazioni**
- a. **Fare riparare l'elettrotensile solo ed esclusivamente da personale specializzato e solo impiegando pezzi di ricambio originali, onde non alterarne la sicurezza.**

#### Altri avvisi di sicurezza per gli elettrotensili



Avvisi di sicurezza per il tagliasiepi.

- ◆ **Tenere ogni parte del corpo lantana dalla lama. Non rimuovere il materiale tagliato e non tenere con le mani il materiale da potare quando le lame sono in movimento. Accertarsi che l'interruttore sia spento quando si elimina del materiale che si è inceppato.** Un attimo di distrazione durante l'uso del tagliasiepi può causare gravi infortuni personali.
- ◆ **Trasportare il tagliasiepi dall'impugnatura con la lama ferma. Quando si trasporta o si ripone il tagliasiepi montare sempre il fodero della lama.** Un utilizzo corretto del tagliasiepi riduce il rischio di lesioni personali causate dalle lame.
- ◆ **Tenere il cavo lontano dalla zona di potatura.** Durante il funzionamento il cavo potrebbe essere nascosto nei cespugli ed è facile tagliarlo accidentalmente con la lama.
- ◆ Prestare attenzione ad evitare oggetti duri (ad esempio filo metallico, inferriate) durante la potatura. Se si dovesse accidentalmente colpire un oggetto di questo tipo, spegnere immediatamente l'elettrotensile e controllare se ha subito danni.
- ◆ Tenere sempre l'elettrotensile con entrambe le mani e mediante le impugnature fornite.
- ◆ Questo elettrotensile non è stato progettato per impiego da parte di persone (o bambini) portatrici di handicap fisici, psichici o sensoriali o che non abbiano la dovuta esperienza o conoscenza, a meno che non siano seguite o opportunamente istruite sul suo impiego da parte di una persona responsabile della loro sicurezza. Controllare che i bambini non giochino con l'elettrotensile.
- ◆ L'uso previsto è descritto nel presente manuale d'uso. L'uso di questo elettrotensile con accessori o altre parti montate oppure per scopi diversi da quelli raccomandati nel presente manuale, potrebbe essere causa di lesioni personali e/o danni materiali.
- ◆ Evitare l'avviamento involontario. Non trasportare l'elettrotensile con la mano o il dito sull'impugnatura anteriore o sull'interruttore a grilletto, a meno che non sia stato scollegato dalla presa di corrente o che non sia stata tolta la batteria. Accertarsi che l'elettrotensile sia spento quando lo si collega alla presa di corrente.
- ◆ Se non si è mai usato un tagliasiepi prima d'ora, è preferibile chiedere a un utente esperto una dimostrazione pratica oltre a studiare il presente manuale.

- ◆ Non toccare mai le lame quando l'elettrotensile è acceso.
- ◆ Non tentare mai di fermare a forza le lame.
- ◆ Non appoggiare l'elettrotensile fino a quando le lame non si sono completamente fermate.
- ◆ Controllare regolarmente che le lame non siano danneggiate e usurate. Non usare l'elettrotensile quando le lame sono danneggiate.
- ◆ Se l'elettrotensile dovesse cominciare a vibrare in modo anomalo, spegnerlo immediatamente e controllare se vi sono danni.
- ◆ Se l'elettrotensile si blocca, spegnerlo immediatamente. Scollegare l'elettrotensile dalla presa di corrente o togliere la batteria prima di tentare di rimuovere eventuali ostruzioni.
- ◆ Dopo l'uso, infilare la guaina fornita sopra alle lame. Riporre l'elettrotensile, verificando che la lama non sia esposta.
- ◆ Controllare sempre che tutte le protezioni siano montate quando si usa l'elettrotensile. Non tentare mai di usare un elettrotensile non completo o che abbia subito modifiche non autorizzate.
- ◆ Non permettere mai ai bambini di usare l'elettrotensile.
- ◆ Essere consapevoli della possibilità di caduta dei pezzi tagliati dai lati più alti di una siepe.

## Sicurezza altrui

- ◆ Questo elettrotensile non è stato progettato per impiego da parte di persone (o bambini) portatrici di handicap fisici, psichici o sensoriali o che non abbiano la dovuta esperienza o conoscenza, a meno che non siano seguite o opportunamente istruite sul suo utilizzo da parte di una persona responsabile della loro sicurezza.
- ◆ Controllare che i bambini non giochino con l'elettrotensile.

## Vibrazioni

I valori dichiarati delle emissioni di vibrazioni al paragrafo Dati tecnici e Dichiarazione di conformità del presente manuale, sono stati misurati in base al metodo di test standard previsto dalla normativa EN 60745 e possono essere usati come paragone tra un attrezzo e un altro. Il valore delle emissioni di vibrazioni dichiarato può anche essere usato come valutazione preliminare dell'esposizione.

**Attenzione!** Il valore delle emissioni di vibrazioni durante l'impiego effettivo dell'elettrotensile può variare da quello dichiarato a seconda di come l'attrezzo viene usato. Il livello delle vibrazioni può aumentare oltre il livello dichiarato.

Quando si valuta l'esposizione alle vibrazioni per determinare le misure di sicurezza richieste, in conformità alla normativa 2002/44/CE, onde proteggere le persone che usano regolarmente gli elettrotensili ai fini delle mansioni svolte, è necessario prendere in considerazione le condizioni effettive di utilizzo e il modo in cui l'attrezzo è usato, oltre a tenere in conto tutte le componenti del ciclo operativo, vale a dire i periodi in cui l'elettrotensile è spento, quando è acceso, ma a riposo e quando è effettivamente utilizzato.

## Etichette sugli elettrotensili

Sull'elettrotensile appaiono i seguenti pittogrammi:



**Attenzione!** Per ridurre il rischio di lesioni, l'utente deve leggere il manuale d'uso.



Indossare occhiali di sicurezza e otoprotezioni quando si usa l'elettrotensile.



Indossare guanti quando si usa l'elettrotensile.



Scollegare immediatamente il cavo dalla rete di alimentazione se danneggiato o tagliato.



Non esporre l'elettrotensile alla pioggia o a un'umidità intensa.

## Sicurezza elettrica



Il doppio isolamento di cui è provvisto l'elettrotensile rende superfluo il filo di terra. Controllare sempre che l'alimentazione corrisponda alla tensione indicata sulla targhetta delle caratteristiche.

- ◆ In caso di danneggiamento del cavo di alimentazione, è necessario farlo riparare dal fabbricante o presso un centro assistenza Black & Decker autorizzato in modo da evitare eventuali pericoli.
- ◆ La sicurezza elettrica può essere ulteriormente aumentata utilizzando un dispositivo a corrente residua (RCD) ad alta sensibilità (30 mA).

## Utilizzo di un cavo di prolunga

Usare sempre un cavo di prolunga di tipo omologato, idoneo all'assorbimento di corrente di questo elettrotensile (vedere i dati tecnici). Il cavo di prolunga deve essere idoneo per impiego all'esterno e deve essere opportunamente contrassegnato. È possibile usare un cavo di prolunga lungo fino a 30 m con diametro di 1,5 mm<sup>2</sup> H05V V-F senza perdita alcuna delle prestazioni del prodotto. Prima dell'impiego, ispezionare il cavo di prolunga per accertarsi

che non presenti segni di danni, usura o invecchiamento. Sostituire il cavo di prolunga se è danneggiato o difettoso. Se si usa un mulinello, svolgere sempre completamente il cavo.

### Caratteristiche

1. Impugnatura anteriore
2. Interruttore impugnatura anteriore
3. Interruttore a grilletto
4. Lama
5. Guaina lama
6. Protezione

Questo tagliasiipi presenta le seguenti caratteristiche che ne facilitano l'impiego:

- ◆ Impugnature sagomate in modo ergonomico per una potatura più confortevole.
- ◆ Lame lavorate a macchina per migliorare la potatura.
- ◆ Lame a doppio taglio per ridurre le vibrazioni.

### Assemblaggio

**Attenzione!** Prima del montaggio, controllare che l'elettrotensile sia spento e scollegato dalla presa di corrente e che la guaina sia infilata sulle lame.

#### Montaggio dell'impugnatura (fig. A)

- ◆ Infilare l'impugnatura (1) sulle lame (4).
- ◆ Premere l'impugnatura (1) in sede sulla base dell'elettrotensile.
- ◆ Fissare l'impugnatura con le 4 viti (7) fornite.

#### Montaggio della protezione (fig. B)

- ◆ Posizionare la protezione (6) nelle scanalature sull'elettrotensile.
- ◆ Fissare la protezione (6) usando le due viti (8) fornite.

**Attenzione!** Non usare mai l'elettrotensile senza la protezione.

#### Montaggio della protezione della punta delle lame (fig. C)

È stata fornita una protezione della punta (10) opzionale per proteggere la punta delle lame (4) da usare quando si taglia in prossimità di superfici dure.

- ◆ Allineare la protezione della punta (10) ai 2 fori sull'estremità del supporto della lama.
- ◆ Fissare la protezione della punta usando le due viti (9) fornite.

#### Collegamento dell'elettrotensile alla presa di corrente (fig. D)

Se l'elettrotensile non è dotato di cavo di alimentazione, sarà necessario collegare un cavo di prolunga alla presa di alimentazione.

- ◆ Collegare la presa femmina di un cavo di prolunga idoneo alla presa di alimentazione dell'elettrotensile.
- ◆ Far passare il cavo nell'apposito fermo (11) come illustrato per impedire che il cavo di prolunga si stacchi durante l'uso.
- ◆ Inserire la spina in una presa di corrente.

**Attenzione!** Il cavo di prolunga deve essere idoneo all'impiego all'aperto. Se si usa un mulinello, svolgere sempre completamente il cavo.

### Rischi residui

Altri rischi residui che possono sorgere durante l'impiego dell'elettrotensile e che possono non essere stati contemplati dagli allegati avvisi di sicurezza. Tali rischi possono sorgere a seguito di un uso prolungato o improprio, ecc.

Perfino adottando gli appositi regolamenti di sicurezza e utilizzando i dispositivi di sicurezza, certi rischi residui non possono essere evitati. Essi comprendono:

- ◆ Lesioni causate o subite a seguito del contatto con parti rotanti/in movimento.
- ◆ Lesioni causate o subite durante la sostituzione di parti, lame o accessori.
- ◆ Lesioni causate dall'impiego prolungato di un elettrotensile. Quando si usa qualsiasi elettrotensile per lunghi periodi, accertarsi di fare regolarmente delle pause.
- ◆ Problemi di udito.
- ◆ Rischi per la salute causati dall'aspirazione di polvere generata dall'utilizzo dell'elettrotensile (ad esempio quando si lavora con il legno, in modo particolare quello di quercia, faggio o l'MDF).

### Utilizzo

**Attenzione!** Lasciare che l'elettrotensile funzioni al suo ritmo. Non sovraccaricare l'elettrotensile.

- ◆ Prima dell'uso, controllare con attenzione che l'elettrotensile e il cavo di alimentazione non siano danneggiati. Prestare attenzione a protezioni, interruttori e componenti.
- ◆ Accertarsi che l'elettrotensile funzioni correttamente ed esegua il proprio lavoro.
- ◆ Non usare l'elettrotensile se è danneggiato o difettoso.
- ◆ Non utilizzare elettrotensili con interruttori difettosi.
- ◆ Se l'elettrotensile è danneggiato, farlo riparare da un tecnico opportunamente autorizzato. Non tentare mai di ripararlo da soli.
- ◆ Stendere con attenzione il cavo per evitare di tagliarlo accidentalmente. Un modo valido consiste nel mettere il cavo sopra alla spalla.

- ◆ Per la sicurezza dell'operatore, questo elettrotensile è dotato di un sistema a doppio interruttore. Tale sistema impedisce di accendere inavvertitamente l'elettrotensile e ne consente l'uso solo quando è tenuto con entrambe le mani.

## Accensione e spegnimento

### Accensione

Afferrare l'impugnatura anteriore (1) con una mano in modo che l'interruttore dell'impugnatura anteriore (2) venga spinto nella scocca dell'elettrotensile. Premere con l'altra mano l'interruttore a grilletto (3) per avviare l'elettrotensile.

### Spegnimento

Rilasciare l'interruttore dell'impugnatura anteriore (2) o quello a grilletto (3).

**Attenzione!** Non tentare mai di bloccare un interruttore su acceso.

### Consigli per un utilizzo ottimale

- ◆ Iniziare a potare la parte superiore della siepe. Inclinare leggermente l'elettrotensile (15° massimo rispetto alla linea di taglio) in modo che la punta della lama punti leggermente verso la siepe (fig. E). In questo modo le lame possono eseguire la potatura in modo più efficiente. Tenere l'elettrotensile in base all'angolo desiderato e spostarlo progressivamente lungo la linea di taglio. La lama a doppio taglio permette di potare in una direzione o nell'altra.
- ◆ Per ottenere un taglio molto diritto, tendere un pezzo di corda lungo l'intera lunghezza della siepe, all'altezza desiderata. Usare la corda come guida, tagliando immediatamente al di sopra.
- ◆ Per ottenere dei lati piatti, potare verso l'alto in direzione della crescita. I rami più giovani si spostano verso l'esterno quando la lama taglia verso il basso, lasciando dei vuoti nella siepe (fig. F).
- ◆ Prestare attenzione a evitare oggetti estranei. Evitare in modo particolare oggetti duri tipo filo metallico e inferriate, dato che potrebbero danneggiare le lame.
- ◆ Oliare regolarmente le lame.

### Consigli per la potatura (Regno Unito e Irlanda)

- ◆ Potare siepi e cespugli con foglie stagionali (foglie nuove ogni anno) in giugno e in ottobre.
- ◆ Potare le piante sempreverdi in aprile e agosto.
- ◆ Potare le conifere e altri cespugli che crescono rapidamente ogni sei settimane da maggio fino a ottobre.

### Consigli per la potatura (Australia e nuova Zelanda)

- ◆ Potare siepi e cespugli con foglie stagionali (foglie nuove ogni anno) in dicembre e marzo.
- ◆ Potare le piante sempreverdi in settembre e febbraio.
- ◆ Potare le conifere e altri cespugli che crescono rapidamente ogni sei settimane da ottobre fino a marzo.

## Manutenzione

Questo elettrotensile Black & Decker è stato progettato per funzionare a lungo con una manutenzione minima. Per ottenere prestazioni sempre soddisfacenti occorre avere cura dell'elettrotensile e sottoporlo a manutenzione periodica.

**Attenzione!** Prima di eseguire operazioni di manutenzione, spegnere l'elettrotensile ed estrarre la spina dalla presa di corrente.

- ◆ Dopo l'uso, pulire con attenzione le lame. Dopo la pulitura, stendere un velo di olio per macchinari leggero per impedire alle lame di arrugginarsi.
- ◆ Le prese di ventilazione dell'elettrotensile devono essere pulite regolarmente con un pennello o un panno morbido e asciutto.
- ◆ Il vano del motore deve essere pulito regolarmente con un panno pulito e umido. Non usare materiali abrasivi o detergenti a base di solventi.
- ◆ Verificare che tutti gli interruttori siano privi di residui della potatura prima e dopo l'uso.

### Distacco della protezione (fig. B)

**Attenzione!** Rimuovere la protezione solo per la manutenzione. Rimontare sempre la protezione dopo la manutenzione.

- ◆ Svitare le viti (8).
- ◆ Sfilare la protezione (6) dall'elettrotensile.

### Ricerca guasti

Se l'elettrotensile non funziona in modo corretto, controllare quanto segue:

Difetto	Possibile causa	Intervento
L'elettrotensile non si accende	Fusibile bruciato	Sostituire il fusibile
	Dispositivo RCD scattato	Controllare il dispositivo RCD
	Cavo di alimentazione scollegato	Controllare l'alimentazione di rete

## Protezione dell'ambiente



Raccolta differenziata. Questo prodotto non deve essere smaltito con i normali rifiuti domestici.

Nel caso in cui l'elettrodomestico Black & Decker debba essere sostituito o non sia più necessario, non smaltirlo con i normali rifiuti domestici. Metterlo da parte per la raccolta differenziata.



La raccolta differenziata dei prodotti e degli imballaggi utilizzati consente il riciclaggio dei materiali e il loro continuo utilizzo. Il riutilizzo dei materiali riciclati favorisce la protezione dell'ambiente prevenendo l'inquinamento e riduce il fabbisogno di materie prime.

Seguire la regolamentazione locale per la raccolta differenziata dei prodotti elettrici che può prevedere punti di raccolta o la consegna dell'elettrodomestico al rivenditore presso il quale viene acquistato un nuovo prodotto.

Black & Decker offre ai suoi clienti la possibilità di riciclare i prodotti Black & Decker che hanno esaurito la loro vita di servizio. Per usufruire di tale servizio, è sufficiente restituire il prodotto a qualsiasi tecnico autorizzato, incaricato della raccolta per conto dell'azienda.

Per individuare il tecnico autorizzato più vicino, rivolgersi alla sede Black & Decker locale, presso il recapito indicato nel presente manuale. In alternativa, un elenco completo di tutti i tecnici autorizzati Black & Decker e i dettagli completi sui contatti e i servizi post-vendita sono disponibili su Internet all'indirizzo: [www.2helpU.com](http://www.2helpU.com).

### Dati tecnici

	GT5026 TYPE 1	GT6025 TYPE 1	GT6026 TYPE 1	GT6030 TYPE 1	GT6530 TYPE 1	GT7026 TYPE 1	GT7030 TYPE 1
Tensione	V c.a. 230	230	230	230	230	230	230
Potenza assorbita	W 600	600	650	650	350	700	700
Corsa lama (senza carico)	min-1 1400	1400	1400	1400	1400	1400	1400
Lunghezza lama	cm 50	60	60	60	65	70	70
Distanza lama	mm 26	26	26	30	30	26	30
Tempo di frenatura lama	s <1,0	<1,0	<1,0	<1,0	<1,0	<1,0	<1,0
Peso (senza filo di alimentazione)	kg 4,9	4,9	4,9	4,9	4,9	4,9	4,9

Valori totali vibrazioni (somma vettoriale triassiale) in base a EN 60745

Valore emissioni vibrazioni ( $a_h$ )  $4,6 \text{ m/s}^2$ ,  
incertezza ( $K$ )  $1,5 \text{ m/s}^2$

**Dichiarazione di conformità CE**

DIRETTIVA SUI MACCHINARI  
DIRETTIVA SULL'EMISSIONE SONORA IN AMBIENTE  
ESTERNO



**GT5026, GT6025, GT6026, GT6030, GT6530,  
GT7026, GT7030**

Black & Decker dichiara che i prodotti descritti al paragrafo "Dati tecnici" sono conformi alle seguenti normative:

98/37/CE (fino al 28 dicembre 2009),  
2006/42/CE (dal 29 dicembre 2009),  
EN60745-1, EN60745-2-15

2000/14/EC, tagliasiepi, Allegato V,

Livello di potenza acustica in base a 2000/14/CE  
(Articolo 13, Allegato III,  $L \leq 50$  cm):  
 $L_{WA}$  (pressione sonora misurata) 97 db  
incertezza (K) 3 dB(A)

$L_{WA}$  (pressione sonora garantita) 102 db  
incertezza (K) 3 dB(A)

Questi prodotti sono inoltre conformi alla Direttiva 2004/108/CE.  
Per ulteriori informazioni contattare Black & Decker al seguente  
indirizzo oppure consultare l'ultima di copertina del manuale.

Il sottoscritto è responsabile della redazione di questo  
documento tecnico e rilascia questa dichiarazione per  
conto di Black&Decker.

Kevin Hewitt  
Vice-President Global Engineering  
Black & Decker Europe,  
210 Bath Road, Slough,  
Berkshire, SL1 3YD  
Regno Unito  
24-11-2009

**Garanzia**

Certa della qualità dei suoi prodotti, Black & Decker offre una garanzia eccezionale. Il presente certificato di garanzia è complementare ai diritti legali e non li pregiudica in alcun modo. La garanzia è valida entro il territorio degli Stati membri dell'Unione Europea e dell'EFTA (European Free Trade Area).

Se un prodotto Black & Decker risulta difettoso per qualità del materiale, della costruzione o per mancata conformità entro 24 mesi dalla data di acquisto, Black & Decker garantisce la sostituzione delle parti difettose, provvede alla riparazione dei prodotti se ragionevolmente usurati oppure alla loro sostituzione, in modo da ridurre al minimo il disagio del cliente a meno che:

- ◆ Il prodotto non sia stato destinato ad usi commerciali, professionali o al noleggio.
- ◆ Il prodotto non sia stato usato in modo improprio o scorretto.
- ◆ Il prodotto non abbia subito danni causati da oggetti o sostanze estranee oppure incidenti.
- ◆ Il prodotto non abbia subito tentativi di riparazione non effettuati da tecnici autorizzati né dall'assistenza Black & Decker.

Per attivare la garanzia è necessario esibire la prova di acquisto al venditore o al tecnico autorizzato.

Per individuare il tecnico autorizzato più vicino, rivolgersi alla sede Black & Decker locale, presso il recapito indicato nel presente manuale. In alternativa, un elenco completo di tutti i tecnici autorizzati Black & Decker e i dettagli completi sui contatti e i servizi post-vendita sono disponibili su Internet all'indirizzo: **[www.2helpU.com](http://www.2helpU.com)**.

I clienti che desiderano registrare il nuovo prodotto Black & Decker e ricevere gli aggiornamenti sui nuovi prodotti e le offerte speciali, sono invitati a visitare il sito Web (**[www.blackanddecker.it](http://www.blackanddecker.it)**). Ulteriori informazioni sul marchio e la gamma di prodotti Black & Decker sono disponibili all'indirizzo **[www.blackanddecker.it](http://www.blackanddecker.it)**.

## Beoogd gebruik

De heggenschaar van Black & Decker is ontworpen voor het snoeien van hagen, heesters en doornstruiken. Dit product is uitsluitend bestemd voor consumentengebruik.

## Veiligheidsinstructies

### Algemene veiligheidswaarschuwingen voor elektrisch gereedschap



#### **Waarschuwing! Lees alle veiligheidswaarschuwingen en alle instructies.**

Wanneer de instructies niet in acht worden genomen, kan dit een elektrische schok, brand of ernstig letsel tot gevolg hebben.

### Bewaar alle waarschuwingen en instructies als referentiemateriaal.

Het hierna gebruikte begrip 'elektrisch gereedschap' heeft betrekking op elektrische gereedschappen voor gebruik op de netspanning (met netsnoer) of op accu (snoerloos).


#### 1. Veilige werkomgeving

- a. **Houd uw werkomgeving schoon en goed verlicht.**  
Een rommelige of onverlichte werkomgeving kan tot ongevallen leiden.
- b. **Gebruik elektrisch gereedschap niet in een omgeving met explosiegevaar, zoals in de nabijheid van brandbare vloeistoffen, gassen of stof.**  
Elektrisch gereedschap veroorzaakt vonken die het stof of de dampen tot ontsteking kunnen brengen.
- c. **Houd kinderen en andere personen tijdens het gebruik van elektrisch gereedschap uit de buurt.**  
Wanneer u wordt afgeleid, kunt u de controle over het gereedschap verliezen.

#### 2. Elektrische veiligheid

- a. **De netstekker van het gereedschap moet in het stopcontact passen. De stekker mag in geen geval worden omgebouwd. Gebruik geen adapterstekkers in combinatie met geaarde gereedschappen.**  
Niet omgebouwde stekkers en passende stopcontacten beperken het risico van een elektrische schok.
- b. **Vermijd aanraking van het lichaam met geaarde oppervlakken, bijvoorbeeld buizen, verwarmingen, fornuizen en koelkasten.** Er bestaat een verhoogd risico voor een elektrische schok wanneer uw lichaam geaard is.
- c. **Houd het gereedschap uit de buurt van regen en vocht.** Het binnendringen van water in het elektrische gereedschap vergroot het risico van een elektrische schok.

- d. **Gebruik het snoer niet voor een verkeerd doel. Gebruik het snoer niet om het gereedschap te dragen of op te hangen of om de stekker uit het stopcontact te trekken. Houd het snoer uit de buurt van hitte, olie, scherpe randen of bewegende delen.** Beschadigde of in de war geraakte snoeren vergroten het risico van een elektrische schok.
  - e. **Wanneer u buitenshuis met elektrisch gereedschap werkt, dient u alleen verlengsnoeren te gebruiken die zijn goedgekeurd voor gebruik buitenshuis.** Het gebruik van een verlengsnoer dat geschikt is voor gebruik buitenshuis beperkt het risico van een elektrische schok.
  - f. **Als u elektrisch gereedschap moet gebruiken in een vochtige locatie, moet u een aardlekschakelaar gebruiken.** Met een aardlekschakelaar wordt het risico van een elektrische schok verkleind.
- #### 3. Veiligheid van personen
- a. **Wees alert, let goed op wat u doet en ga met verstand te werk bij het gebruik van elektrische gereedschappen. Gebruik elektrisch gereedschap niet wanneer u moe bent of onder invloed van drugs, alcohol of medicijnen.** Een moment van onoplettendheid bij het gebruik van het gereedschap kan leiden tot ernstige verwondingen.
  - b. **Draag persoonlijke beschermende uitrusting. Draag altijd een veiligheidsbril.** Het dragen van persoonlijke beschermende uitrusting zoals een stofmasker, slipvaste werkschoenen, een veiligheidshelm of gehoorbescherming, afhankelijk van de aard en het gebruik van het elektrische gereedschap, vermindert het risico van verwondingen.
  - c. **Voorkom per ongeluk inschakelen. Controleer of de schakelaar in de uit-stand staat voordat u het gereedschap aansluit op het stopcontact en/of de accu en voordat u het gereedschap optilt of gaat dragen.** Wanneer u bij het dragen van het gereedschap uw vinger op de schakelaar houdt of wanneer u het gereedschap per ongeluk inschakelt, kan dat leiden tot ongevallen.
  - d. **Verwijder instelgereedschappen of schroefsleutels voordat u het gereedschap inschakelt.** Een instelgereedschap of sleutel in een draaiend deel van het gereedschap kan tot verwondingen leiden.
  - e. **Reik niet te ver. Zorg er altijd voor dat u stevig staat en in evenwicht blijft.** Daardoor kunt u het gereedschap in onverwachte situaties beter onder controle houden.

- f. **Draag geschikte kleding. Draag geen loshangende kleding of sieraden. Houd haren, kleding en handschoenen uit de buurt van bewegende delen.** Loshangende kleding, sieraden en lange haren kunnen door bewegende delen worden meegenomen.
- g. **Wanneer stofzuigings- of stofopvangvoorzieningen kunnen worden gemonteerd, dient u zich ervan te verzekeren dat deze zijn aangesloten en juist worden gebruikt.** Het gebruik van deze voorzieningen beperkt het gevaar door stof.
4. **Gebruik en onderhoud van elektrisch gereedschap**
- a. **Overbelast het gereedschap niet. Gebruik voor uw toepassing het daarvoor bestemde elektrische gereedschap.** Met het passende elektrische gereedschap werkt u beter en veiliger binnen het aangegeven capaciteitsbereik.
- b. **Gebruik geen elektrisch gereedschap waarvan de schakelaar defect is.** Elektrisch gereedschap dat niet meer kan worden in- of uitgeschakeld, is gevaarlijk en moet worden gerepareerd.
- c. **Trek de stekker uit het stopcontact en/of de accu uit het elektrisch gereedschap voordat u het gereedschap instelt, toebehoren wisselt of het gereedschap opbergt.** Met deze voorzorgsmaatregel voorkomt u onbedoeld starten van het gereedschap.
- d. **Bewaar niet-gebruikte elektrische gereedschappen buiten bereik van kinderen. Laat het gereedschap niet gebruiken door personen die er niet vertrouwd mee zijn en deze aanwijzingen niet hebben gelezen.** Elektrische gereedschappen zijn gevaarlijk wanneer deze door onervaren personen worden gebruikt.
- e. **Verzorg het gereedschap zorgvuldig. Controleer of bewegende delen van het gereedschap correct functioneren en niet klemmen, en of er onderdelen zodanig zijn gebroken of beschadigd dat de werking van het gereedschap nadelig wordt beïnvloed. Laat beschadigde delen repareren voordat u het gereedschap gebruikt.** Veel ongevallen worden veroorzaakt door slecht onderhouden elektrische gereedschappen.
- f. **Houd snijdende inzetgereedschappen scherp en schoon.** Zorgvuldig onderhouden snijdende inzetgereedschappen met scherpe snijkanten klemmen minder snel en zijn makkelijker te gebruiken.
- g. **Gebruik elektrische gereedschappen, toebehoren, inzetgereedschappen en dergelijke volgens deze aanwijzingen. Let daarbij op de arbeidsomstandigheden en de uit te voeren werkzaamheden.** Het gebruik van elektrische gereedschappen voor andere dan de voorziene toepassingen kan leiden tot gevaarlijke situaties.
5. **Service**
- a. **Laat het gereedschap alleen repareren door gekwalificeerd en vakkundig personeel en alleen met originele vervangingsonderdelen.** Daarmee wordt de veiligheid van het gereedschap gewaarborgd.
- Aanvullende veiligheidswaarschuwingen voor elektrisch gereedschap**
-  Veiligheidswaarschuwingen voor de heggenschaar.
- ◆ **Zorg ervoor dat geen enkel onderdeel van het lichaam in aanraking kan komen met het snijblad. Verwijder geen gesnoeid materiaal en houd geen materiaal dat gesneden moet worden vast wanneer de bladen in beweging zijn. Zorg ervoor dat het apparaat is uitgeschakeld wanneer vastgelopen materiaal wordt verwijderd.** Een moment van onoplettendheid tijdens de bediening van de heggenschaar kan leiden tot ernstig persoonlijk letsel.
  - ◆ **Houd de heggenschaar bij de handgreep vast terwijl het snijblad stilstaat. Wanneer de heggenschaar wordt vervoerd of opgeborgen, dient altijd de omslag voor het snijapparaat te worden gebruikt.** Wanneer het apparaat op de juiste wijze wordt behandeld, verkleint u de kans op persoonlijk letsel door de snijbladen.
  - ◆ **Houd het snoer van het snijgebied verwijderd.** Tijdens de bediening kan het snoer in de struiken verstopt raken en per ongeluk door het snijblad worden doorgesneden.
  - ◆ **Zorg ervoor dat u tijdens het snoeien niet in de buurt komt van hard materiaal (zoals metalen snoeren, railings).** Indien u per ongeluk op dergelijk materiaal stuit, schakel het apparaat dan onmiddellijk uit en controleer het op schade.
  - ◆ **Houd het apparaat altijd met beide handen aan de daartoe bestemde hendels vast.**
  - ◆ **Dit gereedschap mag niet worden gebruikt door personen (waaronder kinderen) die lichamelijk of geestelijk minder valide zijn of geen ervaring met of kennis van dit gereedschap hebben, tenzij ze onder toezicht staan of instructies krijgen wat betreft het gebruik van het gereedschap van een persoon die verantwoordelijk is voor hun veiligheid. Houd toezicht op kinderen om ervoor te zorgen dat zij niet met het apparaat gaan spelen.**
  - ◆ **In deze instructiehandleiding wordt ingegaan op het beoogde gebruik. Het gebruik van andere accessoires of hulpstukken en het uitvoeren van andere handelingen met dit gereedschap dan aanbevolen in deze gebruikershandleiding, kan leiden tot persoonlijk letsel en/of schade aan eigendom.**



- u Vermijd onbedoeld starten van dit gereedschap. Draag het gereedschap niet met de hand of vinger aan de bovenhendel of schakelaar, tenzij het apparaat van de netspanning is verwijderd of de batterij is verwijderd. Zorg ervoor dat het apparaat is uitgeschakeld wanneer het op de netspanning wordt aangesloten.
- u Indien u nog nooit een heggenschaar heeft gebruikt, raadpleeg dan een ervaren gebruiker voor praktische informatie naast deze handleiding.
- u Zorg ervoor dat u nooit de bladen aanraakt terwijl het apparaat in werking is.
- u Probeer de bladen nooit geforceerd tot stilstand te laten komen.
- u Leg het apparaat niet neer totdat de bladen geheel tot stilstand zijn gekomen.
- u Controleer de bladen regelmatig op schade en slijtage. Het gereedschap mag niet worden gebruikt wanneer de bladen beschadigd zijn.
- u Indien het gereedschap op abnormale wijze gaat trillen, schakel het dan onmiddellijk uit en controleer het op schade.
- u Indien het apparaat vast komt te zitten schakel het dan onmiddellijk uit. Trek de stekker uit of verwijder de batterij voordat obstructiemateriaal wordt verwijderd.
- u Schuif de bladschede na gebruik over de bladen. Berg het gereedschap zodanig op dat het blad niet blootligt.
- u Zorg er altijd voor dat alle beschermkappen zijn aangebracht wanneer het apparaat wordt gebruikt. Probeer nooit een incompleet apparaat te gebruiken of een apparaat waarop ongeoorloofde wijzigingen zijn aangebracht.
- u Zorg ervoor dat kinderen het apparaat nooit gebruiken.
- u Let op vallend afval wanneer de hogere gedeelten van een heg worden gesnoeid.

### Veiligheid van anderen

- u Dit apparaat mag niet worden gebruikt door personen (waaronder kinderen) die lichamelijk of geestelijk minder valide zijn of die geen ervaring met of kennis van dit apparaat hebben, tenzij deze onder toezicht staan of instructies krijgen voor het gebruik van het apparaat van een persoon die verantwoordelijk is voor hun veiligheid.
- u Houd toezicht op kinderen om ervoor te zorgen dat zij niet met het apparaat gaan spelen.

### Trilling

De aangegeven waarden voor trillingsemissie in de technische gegevens en de conformiteitsverklaring zijn gemeten conform een standaardtestmethode die door EN 60745 wordt geboden. Hiermee kan het ene gereedschap met het andere worden vergeleken. De aangegeven waarde voor trillingsemissie kan ook worden gebruikt bij een voorlopige bepaling van blootstelling.

**Waarschuwing!** De waarde voor trillingsemissie tijdens het werkelijke gebruik van het gereedschap kan verschillen van de aangegeven waarde afhankelijk van de manieren waarop het gereedschap wordt gebruikt. Het trillingsniveau kan hoger worden dan het aangegeven niveau.

Wanneer de blootstelling aan trillingen wordt vastgesteld teneinde veiligheidsmaatregelen te bepalen die worden vereist door 2002/44/EG ter bescherming van personen die tijdens hun werk regelmatig elektrische gereedschappen gebruiken, moet bij een schatting van de blootstelling aan trillingen rekening worden gehouden met de werkelijke omstandigheden van het gebruik en de manier waarop het gereedschap wordt gebruikt. Daarbij moet ook rekening worden gehouden met alle stappen in de gebruikscyclus, zoals het moment waarop het gereedschap wordt uitgeschakeld en wanneer het gereedschap stationair loopt alsook de aanlooptijd.

### Labels op het gereedschap

Het gereedschap is voorzien van de volgende pictogrammen:



**Waarschuwing!** De gebruiker moet de instructiehandleiding lezen om het risico op letsel te verminderen.



Zorg ervoor dat u een bescherm- of stofbril draagt wanneer u dit apparaat bedient.



Zorg ervoor dat u handschoenen draagt wanneer u dit apparaat bedient.



Koppel het netsnoer onmiddellijk los van de netspanning als het netsnoer beschadigd raakt.



Het apparaat mag niet aan regen of hoge vochtigheid blootgesteld worden.

## Elektrische veiligheid



Dit gereedschap is dubbel geïsoleerd. Een aardaansluiting is daarom niet noodzakelijk. Controleer altijd of uw netspanning overeenkomt met de waarde op het typeplaatje.

- Als het netsnoer is beschadigd, moet dit worden vervangen door de fabrikant of een Black & Decker-servicecentrum om gevaren te voorkomen.
- Verhoog de elektrische veiligheid eventueel verder met behulp van een hooggevoelige 30 mA reststroomschakelaar (RCD).

## Een verlengsnoer gebruiken

Gebruik altijd een goedgekeurd verlengsnoer dat geschikt is voor de voedingsbron van dit gereedschap (zie technische gegevens). Het verlengsnoer moet geschikt zijn voor gebruik buitenshuis en dit moet op het snoer zijn aangegeven. U kunt een HO5V V-F-verlengsnoer van 1,5 mm<sup>2</sup> dik en maximaal 30 m lang gebruiken zonder dat de prestaties van het product minder worden. Controleer voor gebruik het verlengsnoer op tekenen van beschadiging, slijtage en veroudering. Vervang het verlengsnoer als dit beschadigd is of niet meer werkt. Als u een snoerhaspel gebruikt, dient u het snoer altijd volledig af te wikkelen.

## Onderdelen

- Bovenhendel
- Omzetter bovenhendel
- Trekker
- Snijblad
- Bladschede
- Beschermkap

Deze heggenschaar heeft voor uw gemak de volgende functies:

- Ergonomisch gevormde hendels om comfortabel te kunnen snoeien.
- Machinebladen die beter snijden mogelijk maken.
- Snijbladen met tweeledige actie voor minder trilling.

## Montage

**Waarschuwing!** Zorg ervoor dat het apparaat is uitgeschakeld en van de netspanning is losgekoppeld en dat de bladschede om de snijbladen is geplaatst voordat het apparaat in elkaar wordt gezet.

## Aanbrengen van de hendel (fig. A)

- Schuif de hendel (1) over de snijbladen (4).
- Druk de hendel (1) op de plaats aan de onderzijde van het apparaat.
- Zet de hendel met de 4 meegeleverde schroeven (7) vast.

## Aanbrengen van de beschermkap (fig. B)

- Plaats de beschermkap (6) in de groeven op het apparaat.
- Zet de beschermkap (6) vast met de twee meegeleverde schroeven (8).

**Waarschuwing!** Gebruik het apparaat nooit zonder de beschermkap.

## Aanbrengen van de beschermplaat voor het uiteinde van de snijbladen (fig. C)

Een beschermplaat (10) is meegeleverd ter bescherming van het uiteinde van de snijbladen (4) wanneer naast een hard oppervlak wordt gesnoeid.

- Breng de beschermplaat (10) op één lijn met de 2 gaten aan het uiteinde van de bladsteun.
- Zet de beschermplaat met de twee meegeleverde schroeven (9) vast.

## Aansluiting van het apparaat op de netspanning (fig. D)

Indien het apparaat geen netsnoer heeft, dient een verlengsnoer op de netspanning te worden aangesloten.

- Sluit de contrastekkerbus van een geschikt verlengsnoer aan op de stekkerbus van het apparaat.
- Leg het snoer zoals getoond om de snoerhouder (11) zodat het verlengsnoer tijdens het gebruik niet loslaat.
- Sluit de netstekker aan op de netspanning.

**Waarschuwing!** Het verlengsnoer dient geschikt te zijn voor gebruik buiten. Wanneer een kabelhaspel wordt gebruikt, moet het snoer er altijd geheel worden afgewikkeld.

## Overige risico's

Er kunnen zich tijdens het gebruik van het gereedschap ook andere risico's voordoen die misschien niet in de bijgevoegde veiligheidswaarschuwingen worden vermeld.

Deze risico's kunnen zich voordoen als gevolg van onoordeelkundig gebruik, langdurig gebruik, enz.

Zelfs als de veiligheidsvoorschriften in acht worden genomen en de veiligheidsvoorzieningen worden geïmplementeerd, kunnen bepaalde risico's niet worden vermeden. Deze omvatten:

- Verwondingen die worden veroorzaakt door het aanraken van draaiende of bewegende onderdelen.
- Verwondingen die worden veroorzaakt bij het vervangen van onderdelen, bladen of accessoires.
- Verwondingen die worden veroorzaakt door langdurig gebruik van het gereedschap. Als u langere periodes met het gereedschap werkt, is het raadzaam om regelmatig een pauze in te lassen.
- Gehoorbeschadiging.
- Gezondheidsrisico's als gevolg van het inademen van stof dat door gebruik van het gereedschap wordt

veroorzaakt (bijvoorbeeld tijdens het werken met hout, vooral eiken, beuken en MDF).

## Gebruik

**Waarschuwing!** Laat het gereedschap in zijn eigen tempo werken. Vermijd overbelasting.

- u Controleer het apparaat en het netsnoer zorgvuldig voorafgaand aan gebruik. Let op de beschermkappen, schakelaars en onderdelen.
- u Zorg ervoor dat het apparaat op de juiste wijze werkt en functioneert waarvoor het bestemd is.
- u Gebruik het apparaat niet wanneer het beschadigd of defect is.
- u Gebruik het apparaat niet wanneer de schakelaar het niet in en uit schakelt.
- u Indien het apparaat beschadigd is laat het dan door een bevoegde reparateur repareren. Voer nooit zelf reparaties uit.
- u Geleid het snoer zorgvuldig zodat het niet per ongeluk wordt doorgesneden. Het snoer kan worden geregeld door het over de schouder te leggen.
- u Vanwege veiligheidsredenen heeft dit apparaat een dubbelschakelaarsysteem. Door dit systeem wordt voorkomen dat het apparaat onbedoeld wordt gestart, en het functioneert alleen wanneer het met beide handen wordt vastgehouden.

## In- en uitschakelen

### Inschakelen

Houd met een hand de bovenhendel (1) vast zodat de bovenhendelomzetter (2) tegen het hoofdbestanddeel van het apparaat wordt gedrukt. Knijp de trekker (3) met de andere hand om het apparaat te starten.

### Uitschakelen

Laat de bovenhendelomzetter (2) of de trekker (3) los.

**Waarschuwing!** Probeer nooit om een schakelaar in de ingeschakelde stand te vergrendelen.

## Tips voor optimaal gebruik

- u Begin met het snoeien van de bovenzijde van de heg. Kantel het apparaat enigszins (maximaal 15° overeenkomstig de snijlijn) zodat de uiteinden van de bladen enigszins naar de heg toe wijzen (fig. E). Op deze wijze kunnen de bladen doelmatiger snijden. Houd het apparaat in de gewenste hoek en beweeg het rustig langs de snijlijn. Met het dubbelzijdig blad kunt u in beide richtingen snijden.

- ◆ Om een kaarsrechte lijn te verkrijgen, kunt u op de gewenste hoogte een touw langs de lengte van de heg spannen. Gebruik het touw als leidraad door er net boven te snijden.
- u Snij naar boven met de groei mee om vlakke zijden te verkrijgen. Jonge stelen steken naar buiten wanneer het blad naar beneden snijdt, waardoor uitgedunde delen in de heg ontstaan (fig. F).
- u Zorg ervoor dat de heggenschaar niet in aanraking komt met andere voorwerpen. Vermijd met name hard materiaal zoals metalen snoeren en railings omdat de bladen daardoor beschadigd kunnen raken.
- u Smeer de snijbladen regelmatig.

## Leidraad voor het snoeien (Verenigd Koninkrijk en Ierland)

- u Snoei hagen en heesters met seizoensblad (elk jaar nieuw blad) in juni en oktober.
- u Snoei struiken die het hele jaar door groen zijn in april en augustus.
- u Snoei coniferen en andere snelgroeïende heesters elke zes weken van mei tot oktober.

## Leidraad voor het snoeien (Australië en Nieuw Zeeland)

- u Snoei hagen en heesters met seizoensblad (elk jaar nieuw blad) in december en maart.
- u Snoei struiken die het hele jaar groen zijn in september en februari.
- u Snoei coniferen en andere snelgroeïende heesters elke zes weken van oktober tot maart.

## Onderhoud

Uw Black & Decker-gereedschap is ontworpen om gedurende langere periode te functioneren met een minimum aan onderhoud. U kunt het gereedschap naar volle tevredenheid blijven gebruiken als u voor correct onderhoud zorgt en het gereedschap regelmatig schoonmaakt.

**Waarschuwing!** Schakel de machine uit en haal de stekker uit het stopcontact voordat er onderhoud wordt uitgevoerd.

- u Maak de bladen na gebruik zorgvuldig schoon. Breng na reiniging een dunne laag lichte machineolie aan zodat de bladen niet gaan roesten.
- u Reinig regelmatig de ventilatieopeningen van de machine met een zachte, droge borstel of een droge doek.
- u Reinig regelmatig de behuizing van de motor met een schone, vochtige doek. Gebruik geen schuur- of oplosmiddel.
- u Zorg ervoor dat er zich voor en na gebruik geen afval tussen al de schakelaars bevindt.

**Verwijdering van de beschermkap (fig. B)**

**Waarschuwing!** Verwijder de beschermkap alleen voor onderhoudswerkzaamheden. Breng de beschermkap na onderhoud altijd weer aan.

- u Verwijder de schroeven (8).
- u Schuif de beschermkap (6) van het apparaat af.

**Problemen oplossen**

Indien het apparaat niet juist functioneert, controleer dan de volgende items:

Storing	Mogelijke oorzaak	Actie
Apparaat start niet	Zekering is gesprongen	Vervang de zekering
	De aardlekschakelaar is uitgeschakeld	Controleer de aardlekschakelaar
	Netsnoer is niet aangesloten	Controleer de netspanningstoevoer

**Milieu**



Gescheiden inzameling. Dit product mag niet met normaal huishoudelijk afval worden weggegooid.

Mocht u op een dag constateren dat het Black & Decker-product aan vervanging toe is of dat u het apparaat niet meer nodig hebt, gooi het product dan niet bij het restafval. Het product valt onder de categorie voor elektrische apparaten.

**Technische gegevens**

	GT5026 TYPE 1	GT6025 TYPE 1	GT6026 TYPE 1	GT6030 TYPE 1	GT6530 TYPE 1	GT7026 TYPE 1	GT7030 TYPE 1
Spanning	Vac 230	230	230	230	230	230	230
Ingangsvermogen	W 600	600	650	650	350	700	700
Bladslagen (onbelast)	min-1 1400	1400	1400	1400	1400	1400	1400
Bladlengte	cm 50	60	60	60	65	70	70
Tandafstand	mm 26	26	26	30	30	26	30
Remtijd blad	s <1.0	<1.0	<1.0	<1.0	<1.0	<1.0	<1.0
Gewicht (zonder stroomsnoer)	kg 4.9	4.9	4.9	4.9	4.9	4.9	4.9



Gescheiden inzameling van gebruikte producten en verpakkingsmaterialen maakt het mogelijk materialen te recycleren en opnieuw te gebruiken. Hergebruik van gerecycleerde materialen zorgt voor minder milieuvuiling en dringt de vraag naar grondstoffen terug.

Plaatselijke verordeningen kunnen voorzien in gescheiden inzameling van huishoudelijke elektrische producten via gemeentelijke stortplaatsen of via de leverancier bij wie u een nieuw product aanschaft.

Black & Decker biedt de mogelijkheid tot het recycleren van afgedankte Black & Decker-producten. Om gebruik te maken van deze service, dient u het product naar een van onze servicecentra te sturen, die de inzameling voor ons verzorgen.

U kunt het adres van het dichtstbijzijnde servicecentrum opvragen via de adressen op de achterzijde van deze handleiding. U kunt ook een lijst van onze servicecentra en meer informatie over onze klantenservice vinden op het volgende internetadres: [www.2helpU.com](http://www.2helpU.com).

Totale trillingwaarden (som triaxvector) volgens

EN 60745:

Trillingsafgiftewaarde ( $a_h$ ) 4.6 m/s<sup>2</sup>,  
meetonzekerheid (K) 1.5 m/s<sup>2</sup>

**EG-conformiteitsverklaring**  
 RICHTLIJN MACHINERIEËN  
 RICHTLIJN VOOR GELUID BUITENSHUIS



**GT5026, GT6025, GT6026, GT6030, GT6530,  
 GT7026, GT7030**

Black & Decker verklaart dat deze producten, die zijn beschreven onder "Technische gegevens", voldoen aan: 98/37/EG (tot 28 dec. 2009), 2006/42/EG (na 29 dec. 2009), EN60745-1, EN60745-2-15

2000/14/EC, heggenschaar, bijlage V,

Niveau van akoestisch vermogen volgens 2000/14/EG (Artikel 13, bijlage III,  $L \leq 50$  cm):  
 $L_{WA}$  (gemeten geluidsvermogen) 97 db  
 meetonzekerheid (K) 3 dB(A)  
 $L_{WA}$  (gegarandeerd geluidsvermogen) 102 db  
 meetonzekerheid (K) 3 dB(A)

Deze producten voldoen tevens aan richtlijn 2004/108/EG. Neem voor meer informatie contact op met Black & Decker op het volgende adres of raadpleeg de achterzijde van de handleiding.

Ondergetekende is verantwoordelijk voor de compilatie van het technische bestand en geeft deze verklaring namens Black & Decker af.

Kevin Hewitt  
 Vice-President Global Engineering  
 Black & Decker Europe,  
 210 Bath Road, Slough,  
 Berkshire, SL1 3YD  
 Verenigd Koninkrijk  
 24-11-2009

**Garantie**

Black & Decker heeft vertrouwen in haar producten en biedt een uitstekende garantie. Deze garantiebepalingen vormen een aanvulling op uw wettelijke rechten en beperken deze niet. De garantie geldt in de lidstaten van de Europese Unie en de Europese Vrijhandelsassociatie.

Mocht uw Black & Decker product binnen 24 maanden na de datum van aankoop defect raken ten gevolge van materiaal- of constructiefouten, dan garanderen wij de kosteloze vervanging van defecte onderdelen, de reparatie van het product of de vervanging van het product, tenzij:

- Het product is gebruikt voor handelsdoeleinden, professionele toepassingen of verhuurdoeleinden.
- Het product onoordeelkundig is gebruikt.
- Het product is beschadigd door invloeden van buitenaf of door een ongeval.
- Reparaties zijn uitgevoerd door anderen dan onze servicecentra of Black & Decker-personeel.

Om een beroep te doen op de garantie, dient u een aankoopbewijs te overhandigen aan de verkoper of een van onze servicecentra. U kunt het adres van het dichtstbijzijnde servicecentrum opvragen via de adressen op de achterzijde van deze handleiding. U kunt ook een lijst van onze servicecentra en meer informatie m.b.t. onze klantenservice vinden op het volgende internetadres: [www.2helpU.com](http://www.2helpU.com).

Ga naar onze website [www.blackanddecker.nl](http://www.blackanddecker.nl) om uw nieuwe Black & Decker-product te registreren en op de hoogte te blijven van nieuwe producten en speciale aanbiedingen. Meer informatie over het merk Black & Decker en onze producten vindt u op [www.blackanddecker.nl](http://www.blackanddecker.nl).

## Uso previsto

El cortasetos Black & Decker se ha diseñado para cortar setos, arbustos y zarzas. Esta herramienta está pensada únicamente para uso doméstico.

## Instrucciones de seguridad

### Advertencias de seguridad generales para herramientas eléctricas



**¡Atención! Lea todas las advertencias e instrucciones de seguridad.** Si no se siguen las instrucciones de seguridad, pueden producirse descargas eléctricas, incendios o lesiones graves.

### Guarde todas las advertencias e instrucciones para consultarlas en el futuro.

El término "herramienta eléctrica" empleado en las advertencias indicadas a continuación hace referencia a la herramienta eléctrica con alimentación de red (con cable) o alimentada por batería (sin cable).

#### 1. Seguridad del área de trabajo

##### a. Mantenga limpia y bien iluminada el área de trabajo.

El desorden y una iluminación deficiente en las áreas de trabajo pueden provocar accidentes.

##### b. No utilice la herramienta eléctrica en un entorno con peligro de explosión, en el que se encuentren combustibles líquidos, gases o material en polvo.

Las herramientas eléctricas producen chispas que pueden llegar a inflamar los materiales en polvo o vapores.

##### c. Mantenga alejados a los niños y otras personas del área de trabajo al emplear la herramienta eléctrica.

Una distracción le puede hacer perder el control sobre la herramienta.

#### 2. Seguridad eléctrica

##### a. El enchufe de la herramienta eléctrica debe corresponder a la toma de corriente utilizada.

**No modifique el enchufe en forma alguna.**

**No emplee adaptadores en herramientas eléctricas dotadas con toma de tierra.** Los enchufes sin modificar adecuados a las respectivas tomas de corriente reducen el riesgo de una descarga eléctrica.

##### b. Evite que su cuerpo toque partes conectadas a tierra como tuberías, radiadores, cocinas y refrigeradores.

El riesgo a quedar expuesto a una descarga eléctrica es mayor si su cuerpo tiene contacto con tierra.

##### c. No exponga las herramientas eléctricas a la lluvia y evite que penetren líquidos en su interior. Existe el peligro de recibir una descarga eléctrica si penetran ciertos líquidos en la herramienta eléctrica.

##### d. Cuide el cable de alimentación. No lo utilice para transportar o colgar la herramienta eléctrica, ni tire de él para sacar el enchufe de la toma de corriente. Manténgalo alejado del calor, aceite, bordes afilados o piezas móviles. Los cables de red dañados o enredados incrementan el riesgo de descarga eléctrica.

##### e. Al trabajar con una herramienta eléctrica en el exterior utilice solamente cables de prolongación homologados para su uso en exteriores.

La utilización de un cable de prolongación adecuado para su uso en exteriores reduce el riesgo de descarga eléctrica.

##### f. Si la utilización de una herramienta eléctrica en un lugar húmedo es inevitable, utilice una fuente protegida con un dispositivo de corriente residual (RCD). La utilización de un RCD reduce el riesgo de sufrir descargas eléctricas.

#### 3. Seguridad personal

##### a. Esté atento a lo que hace y emplee la herramienta eléctrica con prudencia. No utilice la herramienta eléctrica si estuviese cansado, ni tampoco después de haber consumido alcohol, drogas o medicamentos. El no estar atento durante el uso de una herramienta eléctrica puede provocar serias lesiones.

##### b. Utilice un equipo de protección personal. Utilice siempre gafas de protección. El riesgo de lesionarse se reduce considerablemente si se utiliza un equipo de protección adecuado como una mascarilla antipolvo, zapatos de seguridad con suela antideslizante, casco o protectores auditivos.

##### c. Impida que la herramienta se ponga en marcha accidentalmente. Asegúrese de que el conmutador de encendido/apagado se encuentra en la posición de apagado antes de conectar la herramienta a la fuente de alimentación o a la batería, o de coger o transportar la herramienta. Transportar la herramienta eléctrica con el dedo sobre el interruptor o enchufarla con el interruptor encendido puede provocar accidentes.

##### d. Retire las herramientas de ajuste o llaves fijas antes de conectar la herramienta eléctrica. Una herramienta o llave colocada en una pieza giratoria de la herramienta eléctrica puede producir lesiones al ponerse a funcionar.

##### e. Sea precavido. Evite adoptar una posición que fatigue su cuerpo; mantenga un apoyo firme sobre el suelo y conserve el equilibrio en todo momento. Ello le permitirá controlar mejor la herramienta eléctrica en caso de presentarse una situación inesperada.

- f. **Lleve puesta una vestimenta de trabajo adecuada. No lleve vestidos anchos ni joyas. Mantenga su pelo, vestimenta y guantes alejados de las piezas móviles.** La vestimenta suelta, las joyas y el pelo largo se pueden enganchar con las piezas en movimiento.
- g. **Siempre que sea posible utilizar unos equipos de aspiración o captación de polvo, asegúrese de que estén montados y se utilicen correctamente.** El empleo de estos equipos reduce los riesgos derivados del polvo.
4. **Uso y cuidado de herramientas eléctricas**
- a. **No sobrecargue la herramienta eléctrica. Use la herramienta eléctrica adecuada para cada aplicación.** Con la herramienta eléctrica adecuada podrá trabajar mejor y más seguro dentro del margen de potencia indicado.
- b. **No utilice herramientas eléctricas con un interruptor defectuoso.** Las herramientas eléctricas que no se puedan conectar o desconectar son peligrosas y deben hacerse reparar.
- c. **Desconecte de la herramienta eléctrica el enchufe de la fuente de alimentación y de la batería antes de realizar cualquier ajuste, cambiar accesorios o guardar la herramienta.** Esta medida preventiva reduce el riesgo de conectar accidentalmente la herramienta eléctrica.
- d. **Guarde las herramientas eléctricas fuera del alcance de los niños y de las personas que no estén familiarizadas con su uso.** Las herramientas eléctricas utilizadas por personas inexpertas son peligrosas.
- e. **Cuide sus herramientas eléctricas con esmero. Controle si funcionan correctamente, sin atascarse, las partes móviles de la herramienta eléctrica, y si existen partes rotas o deterioradas que pudieran afectar al funcionamiento de la herramienta. Si la herramienta eléctrica estuviese defectuosa haga que la reparen antes de volver a utilizarla.** Muchos accidentes se deben a herramientas eléctricas con un mantenimiento deficiente.
- f. **Mantenga las herramientas de corte limpias y afiladas.** Las herramientas de corte mantenidas correctamente se dejan guiar y controlar mejor.
- g. **Utilice la herramienta eléctrica, los accesorios, los útiles de la herramienta, etc. de acuerdo con estas instrucciones, y tenga en cuenta las condiciones de trabajo y la tarea a realizar.** El uso de herramientas eléctricas para trabajos diferentes de aquellos para los que han sido concebidas puede resultar peligroso.

## 5. Servicio técnico

- a. **Haga reparar la herramienta eléctrica sólo por personal técnico autorizado que emplee exclusivamente piezas de repuesto idénticas.** Solamente así se garantiza la seguridad de la herramienta eléctrica.

### Advertencias de seguridad adicionales para herramientas eléctricas



Advertencias de seguridad acerca del cortasetos.

- ◆ **Mantenga todas las partes del cuerpo alejadas de la hoja de corte. No retire el material de corte ni sujete el material que va a cortar mientras las hojas se encuentren en movimiento. Asegúrese de que el interruptor esté apagado cuando se disponga a retirar material atascado.** La falta de atención durante el uso del cortasetos puede ocasionar graves lesiones.
- ◆ **Transporte el cortasetos por la empuñadura con la hoja de corte detenida. Cuando transporte o guarde el cortasetos, coloque siempre la cubierta del dispositivo de corte.** La correcta manipulación del cortasetos reducirá las posibles lesiones personales ocasionadas por las hojas de corte.
- ◆ **Mantenga el cable alejado de la zona de corte.** Durante el funcionamiento, el cable podría quedar oculto entre los arbustos y la hoja podría cortarlo accidentalmente.
- ◆ Procure evitar los objetos duros (p. ej., alambres o verjas) durante las operaciones de corte. Si golpea algún objeto de estas características de forma accidental, apague de inmediato la herramienta y compruebe si ha ocasionado algún daño.
- ◆ Sujete siempre la herramienta con ambas manos por las empuñaduras suministradas a tal efecto.
- ◆ Esta herramienta no debe ser utilizada por personas (incluyendo niños) con sus capacidades físicas, sensoriales o mentales disminuidas, o que carezcan de experiencia y conocimientos, salvo que hayan recibido supervisión o formación con respecto al uso del aparato por parte de una persona responsable de su seguridad. Los niños deben vigilarse en todo momento para garantizar que la herramienta no se toma como elemento de juego.
- ◆ En este manual de instrucciones se describe el uso para el que se ha diseñado el aparato. La utilización de accesorios o la realización de operaciones con esta herramienta distintas de las recomendadas en este manual de instrucciones puede presentar un riesgo de lesiones y/o daños materiales.

- ◆ Evite que la herramienta se ponga en marcha accidentalmente. No transporte la herramienta con la mano o el dedo sobre la empuñadura frontal o el interruptor, salvo que se encuentre desconectada o que haya extraído la batería. Asegúrese de que la herramienta se encuentra apagada cuando la conecte.
- ◆ Si no ha utilizado nunca un cortasetos, se recomienda solicitar instrucciones prácticas a un usuario experimentado además de leer detenidamente este manual.
- ◆ Nunca toque las hojas mientras la herramienta esté en funcionamiento.
- ◆ Nunca intente forzar las hojas para que se detengan.
- ◆ No deje la herramienta hasta que las hojas se detengan por completo.
- ◆ Compruebe con regularidad que las hojas no estén dañadas o gastadas. No utilice la herramienta si las hojas están dañadas.
- ◆ Si la herramienta comienza a vibrar de manera anormal, apáguela de inmediato y compruebe si ha sufrido algún daño.
- ◆ Si la herramienta se paraliza, apáguela inmediatamente. Desconecte la herramienta o extraiga la batería antes de intentar retirar cualquier obstrucción.
- ◆ Después de utilizar la herramienta, coloque la vaina de la hoja suministrada sobre las hojas. Cuando guarde la herramienta, asegúrese de que la hoja no quede descubierta.
- ◆ Asegúrese siempre de que todos los protectores estén colocados cuando utilice la herramienta. Nunca intente utilizar una herramienta que no esté completamente montada o una herramienta con modificaciones no autorizadas.
- ◆ Nunca permita que los niños utilicen la herramienta.
- ◆ Tenga precaución con los restos que caen al cortar las partes altas de un seto.

## La seguridad de terceros

- ◆ Ninguna persona (incluidos los niños) con capacidades físicas, sensoriales o mentales disminuidas, o que carezca de experiencia y conocimientos, debe utilizar este aparato, salvo que haya recibido supervisión o formación con respecto al uso del aparato por parte de una persona responsable de su seguridad.
- ◆ Los niños deben vigilarse en todo momento para garantizar que el aparato no se toma como elemento de juego.

## Vibración

El valor de emisión de vibraciones declarado en el apartado de características técnicas y en la declaración de conformidad se ha calculado según un método de prueba estándar proporcionado por la norma EN60745 y podrá utilizarse para comparar una herramienta con otra. El valor de emisión de vibraciones declarado también podrá utilizarse en una evaluación preliminar de la exposición.

**¡Atención!** El valor de emisión de vibraciones durante el funcionamiento real de la herramienta eléctrica puede diferir del valor declarado en función de cómo se utilice dicha herramienta. El nivel de las vibraciones puede aumentar por encima del nivel declarado.

Al evaluar la exposición a las vibraciones con el fin de determinar las medidas de seguridad que exige la norma 2002/44/CE para proteger a las personas que utilizan periódicamente herramientas eléctricas en sus puestos de trabajo, deberá tenerse en cuenta una estimación de la exposición a las vibraciones, las condiciones de uso reales y el modo de empleo de la herramienta, así como los pasos del ciclo operativo como, por ejemplo, el número de veces que la herramienta se apaga y se desconecta y el tiempo de activación.

## Etiquetas en las herramientas

Encontrará los siguientes pictogramas en la herramienta.



**¡Atención!** Para reducir el riesgo de lesiones, el usuario debe leer el manual de instrucciones. Cuando utilice la herramienta, lleve siempre gafas protectoras o de pantalla y protección para los oídos.



Utilice guantes para utilizar esta herramienta.



Desconectar de inmediato el cable de la toma de corriente si presenta daños o está cortado.



No exponga la herramienta a la lluvia ni a la humedad.

## Seguridad eléctrica



La herramienta lleva un doble aislamiento; por lo tanto no requiere de una toma a tierra. Compruebe siempre que la tensión de la red corresponda con el valor indicado en la placa de datos de la herramienta.

- ◆ Si se llegase a dañar el cable de alimentación, deberá ser sustituido por el fabricante o por un centro de



asistencia técnica autorizado de Black & Decker para evitar cualquier situación de riesgo.

- ◆ Se puede incrementar la seguridad eléctrica mediante la utilización de un dispositivo de corriente residual (RCD) de alta sensibilidad de 30 mA.

### Uso de un cable de prolongación

Utilice siempre un cable de prolongación adecuado para la entrada de corriente de esta herramienta (consulte la ficha técnica). El cable de prolongación debe ser adecuado y estar marcado para su uso en exteriores. Se puede utilizar un cable de prolongación HO5V V-F de 1,5 mm<sup>2</sup> y de hasta 30 m sin pérdida de rendimiento del producto. Antes de utilizar el cable de prolongación, compruebe que no está dañado, gastado o deteriorado. Si está dañado o deteriorado, sustitúyalo. Cuando utilice una bobina de cable, desenrolle siempre todo el cable.

### Características

1. Empuñadura frontal
2. Interruptor de la empuñadura frontal
3. Interruptor
4. Hoja
5. Vaina de la hoja
6. Protector

Este cortasetos presenta las siguientes funciones para su comodidad:

- ◆ Empuñaduras de diseño ergonómico para permitir un corte cómodo.
- ◆ Hojas mecanizadas para mejorar el corte.
- ◆ Hojas de doble acción para reducir las vibraciones.

### Montaje

**¡Atención!** Antes de montar la herramienta, asegúrese de que se encuentra apagada y desconectada, y de que la vaina de la hoja se encuentra sobre las hojas.

#### Montaje de la empuñadura (fig. A)

- ◆ Deslice la empuñadura (1) sobre las hojas (4).
- ◆ Presione la empuñadura (1) hacia la ubicación de la base de la herramienta.
- ◆ Fije la empuñadura con los 4 tornillos (7) suministrados.

#### Ajuste del protector (fig. B)

- ◆ Sitúe el protector (6) en las ranuras de la herramienta.
- ◆ Fije el protector (6) mediante los dos tornillos (8) suministrados.

**¡Atención!** Nunca utilice la herramienta sin el protector.

#### Montaje del protector de la punta de la hoja (fig. C)

Se incluye un protector opcional para la punta (10) destinado a proteger el extremo de las hojas (4) cuando la operación de corte se realice cerca de una superficie dura.

- ◆ Alinee el protector de la punta (10) con los dos orificios del extremo del soporte de la hoja.
- ◆ Fije el protector de la punta mediante los dos tornillos (9) suministrados.

### Conexión de la herramienta a la corriente (fig. D)

Salvo que la herramienta esté dotada de un cable de corriente, deberá conectar un cable de prolongación a la toma eléctrica.

- ◆ Conecte la toma hembra de un cable de prolongación adecuado para la toma eléctrica de la herramienta.
- ◆ Pase el cable a través de la fijación del cable (11) como se muestra para evitar que el cable de prolongación se suelte durante el uso de la herramienta.
- ◆ Introduzca el enchufe en una toma de corriente.

**¡Atención!** El cable de prolongación debe ser adecuado para el uso en exteriores. Cuando utilice una bobina de cable, desenrolle siempre todo el cable.

### Riesgos residuales

El uso de esta herramienta puede producir riesgos residuales adicionales no incluidos en las advertencias de seguridad adjuntas. Estos riesgos se pueden generar por un uso incorrecto, demasiado prolongado, etc.

El cumplimiento de las normas de seguridad correspondientes y el uso de dispositivos de seguridad no evitan ciertos riesgos residuales. Estos riesgos incluyen:

- ◆ Lesiones producidas por el contacto con piezas móviles o giratorias.
- ◆ Lesiones producidas al cambiar cualquier pieza, cuchilla o accesorio.
- ◆ Lesiones producidas al usar una herramienta por un tiempo demasiado prolongado. Si utiliza una herramienta durante períodos de tiempo demasiado prolongados, asegúrese de realizar pausas con frecuencia.
- ◆ Discapacidad auditiva.
- ◆ Riesgos para la salud producidos al respirar el polvo que se genera al usar la herramienta (por ejemplo: en los trabajos con madera, especialmente de roble, haya y tableros de densidad mediana).

### Uso

**¡Atención!** Deje que la herramienta funcione a su ritmo. No la sobrecargue.

- ◆ Antes de utilizar la herramienta, compruebe que dicha herramienta y el cable de corriente no presentan daños. Preste atención a los protectores, interruptores y componentes.
- ◆ Asegúrese de que la herramienta funciona correctamente y realiza las funciones para las que se ha diseñado.

- ◆ No utilice la herramienta si está dañada o presenta algún defecto.
- ◆ No utilice la herramienta si el interruptor no se puede encender y apagar.
- ◆ Si está dañada, solicite su reparación a un agente de servicio técnico autorizado. Nunca intente realizar reparaciones usted mismo.
- ◆ Guíe el cable con cuidado para evitar cortarlo accidentalmente. Un buen método para controlar el cable es pasárselo por encima del hombro.
- ◆ Por razones de seguridad, esta herramienta está equipada con un sistema de dos interruptores. Este sistema impide que la herramienta se encienda de manera accidental y solamente permite accionarla cuando se sujeta con ambas manos.

## Encendido y apagado

### Encendido

Tome el control de la empuñadura frontal (1) con una mano de modo que el interruptor de dicha empuñadura (2) se inserte en el cuerpo de la herramienta. Con la otra mano, pulse el interruptor (3) para encender la herramienta.

### Apagado

Suelte el interruptor de la empuñadura frontal (2) o el interruptor (3).

**¡Atención!** No intente nunca trabar un interruptor en la posición de encendido.

### Consejos para un uso óptimo

- ◆ Empiece cortando la parte superior del seto. Incline ligeramente la herramienta (hasta 15° en relación con la línea de corte) para que las puntas de la hoja se orienten ligeramente hacia el seto (fig. E). De este modo, las hojas cortarán de manera más eficaz. Sujete la herramienta en el ángulo deseado y muévala firmemente a lo largo de la línea de corte. La hoja de doble cara permite cortar en ambas direcciones.
- ◆ Para conseguir un corte muy recto, extienda un trozo de cuerda por toda la longitud del seto a la altura deseada. Utilice la cuerda como guía y realice el corte por encima de esta.
- ◆ Para obtener superficies planas, corte hacia arriba en la dirección de crecimiento. Los tallos más jóvenes se desplazan hacia fuera cuando la hoja corta hacia abajo, lo que provoca un parcheado plano en el seto (fig. F).
- ◆ Procure evitar los objetos extraños. Evite especialmente objetos duros, como alambres o verjas, ya que podrían dañar las hojas.
- ◆ Lubrique las hojas periódicamente.

### Instrucciones de corte (Reino Unido e Irlanda)

- ◆ Corte setos y arbustos con hojas caducas (que producen hoja nueva cada año) en junio y en octubre.
- ◆ Corte árboles o plantas de hoja perenne en abril y en agosto.
- ◆ Corte coníferas y otros arbustos de rápido crecimiento cada seis semanas de mayo a octubre.

### Instrucciones de corte (Australia y Nueva Zelanda)

- ◆ Corte setos y arbustos con hojas caducas (que producen hoja nueva cada año) en diciembre y en marzo.
- ◆ Corte árboles o plantas de hoja perenne en septiembre y en febrero.
- ◆ Corte coníferas y otros arbustos de rápido crecimiento cada seis semanas de octubre a marzo.

## Mantenimiento

La herramienta de Black & Decker ha sido diseñada para que funcione durante un largo periodo de tiempo con un mantenimiento mínimo. El funcionamiento satisfactorio continuado depende de un cuidado apropiado y una limpieza periódica de la herramienta.

**¡Atención!** Antes de realizar cualquier tarea de mantenimiento, apague y desenchufe la herramienta.

- ◆ Después de utilizar la herramienta, limpie con cuidado las hojas. Después de limpiarlas, aplique una película de aceite ligero para máquinas para evitar que las hojas se oxiden.
- ◆ Limpie periódicamente las ranuras de ventilación de la herramienta con un cepillo suave o paño seco.
- ◆ Limpie periódicamente la carcasa del motor con un paño húmedo limpio. No utilice limpiadores de base abrasiva o disolvente.
- ◆ Asegúrese de que todos los interruptores estén libres de restos antes y después de utilizar la herramienta.

### Desmontaje del protector (fig. B)

**¡Atención!** Retire el protector solamente para operaciones de reparación o mantenimiento. Vuelva a colocar el protector después de dichas operaciones.

- ◆ Extraiga los tornillos (8).
- ◆ Deslice el protector (6) para extraerlo de la herramienta.

**Solución de problemas**

Si la herramienta no funciona correctamente, realice las comprobaciones siguientes:

Fallo	Causa posible	Acción
La herramienta no arranca	Fusible fundido	Sustituya el fusible
	RCD activado	Compruebe el RCD
	Cable de corriente desconectado	Compruebe el suministro de corriente



La recogida selectiva de productos y embalajes usados permite el reciclaje de materiales y su reutilización. La reutilización de materiales reciclados contribuye a evitar la contaminación medioambiental y reduce la demanda de materias primas.

Las normativas municipales deben ofrecer la recogida selectiva de productos eléctricos del hogar, en puntos municipales previstos para ello o a través del distribuidor en el caso en que se adquiera un nuevo producto.

Black & Decker proporciona facilidades para la recogida y reciclado de los productos Black & Decker que hayan llegado al final de su vida útil. Para poder utilizar este servicio, le rogamos entregue el producto a cualquier servicio técnico autorizado que se hará cargo de él en nuestro nombre.

Para consultar la dirección del servicio técnico más cercano póngase en contacto con la oficina local de Black & Decker en la dirección que se indica en este manual. Como alternativa, se puede consultar en Internet, en la dirección siguiente, la lista de servicios técnicos autorizados e información completa sobre nuestros servicios de posventa y contactos: [www.2helpU.com](http://www.2helpU.com).

**Protección del medio ambiente**



Recogida selectiva. No se debe desechar este producto con el resto de residuos domésticos.

Si llegase el momento en que fuese necesario sustituir su producto Black & Decker o si éste dejase de tener utilidad para usted, no lo deseche junto con los residuos domésticos. Sepárelo para su recogida selectiva.

**Características técnicas**

	GT5026 TIPO 1	GT6025 TIPO 1	GT6026 TIPO 1	GT6030 TIPO 1	GT6530 TIPO 1	GT7026 TIPO 1	GT7030 TIPO 1
Voltaje	V de CA 230	230	230	230	230	230	230
Potencia absorbida	W 600	600	650	650	350	700	700
Recorridos de la hoja (sin carga)	min-1 1.400	1.400	1.400	1.400	1.400	1.400	1.400
Longitud de la hoja	cm 50	60	60	60	65	70	70
Distancias de la hoja	mm 26	26	26	30	30	26	30
Tiempo de frenado de la hoja	s <1,0	<1,0	<1,0	<1,0	<1,0	<1,0	<1,0
Peso (sin el cable de alimentación)	kg 4,9	4,9	4,9	4,9	4,9	4,9	4,9

Valores totales de vibración (suma vectorial triaxial) de acuerdo con la norma EN 60745:

Valor de emisión de vibraciones ( $a_h$ ) 4,6 m/s<sup>2</sup>,  
incertidumbre (K) 1,5 m/s<sup>2</sup>

## Declaración de conformidad CE

DIRECTIVA DE MAQUINARIAS  
DIRECTIVA SOBRE LA EMISIÓN DE RUIDO  
EN EXTERIORES



**GT5026, GT6025, GT6026, GT6030, GT6530,  
GT7026, GT7030**

Black & Decker declara que los productos descritos en los "datos técnicos" cumplen con lo siguiente: 98/37/CE (hasta el 28 de diciembre de 2009), 2006/42/CE (a partir del 29 de diciembre de 2009), EN60745-1, EN60745-2-15

2000/14/EC, cortasetos, anexo V,

Nivel de intensidad acústica de acuerdo con la directiva 2000/14/CE (artículo 13, anexo III,  $L \leq 50$  cm):

$L_{WA}$  (potencia acústica medida) 97 db  
incertidumbre (K) 3 db (A)

$L_{WA}$  (potencia acústica garantizada) 102 db  
incertidumbre (K) 3 db (A)

Estos productos también cumplen con la directiva 2004/108/CE. Si desea obtener más información, póngase en contacto con Black & Decker a través de la siguiente dirección o consulte el dorso del manual.

La persona que firma a continuación es responsable de la elaboración del archivo técnico y realiza esta declaración en nombre de Black & Decker.

Kevin Hewitt  
Vice-President Global Engineering  
Black & Decker Europe,  
210 Bath Road, Slough,  
Berkshire, SL1 3YD  
Reino Unido  
24-11-2009

## Garantía

Black & Decker confía plenamente en la calidad de sus productos y ofrece una garantía extraordinaria. Esta declaración de garantía es un añadido, y en ningún caso un perjuicio para sus derechos legales. La garantía es válida dentro de los territorios de los Estados miembros de la Unión Europea y de los de la Zona Europea de Libre Comercio.

Si cualquier producto de Black & Decker resultara defectuoso debido a materiales o mano de obra defectuosos o a la falta de conformidad, Black & Decker garantiza, dentro de los 24 meses posteriores a la fecha de compra, la sustitución de las piezas defectuosas, la reparación de los productos sujetos a un desgaste y rotura razonables o la sustitución de tales productos para garantizar al cliente el mínimo de inconvenientes, a menos que:

- ◆ El producto se haya utilizado con propósitos comerciales, profesionales o de alquiler.
- ◆ El producto se haya sometido a un uso inadecuado o negligente.
- ◆ El producto haya sufrido daños causados por objetos o sustancias extrañas o accidentes.
- ◆ Se hayan realizado reparaciones por parte de personas que no sean del servicio técnico autorizado o personal de servicios de Black & Decker.

Para reclamar en garantía, será necesario que presente la prueba de compra al vendedor o al servicio técnico de reparaciones autorizado. Pueden consultar la dirección de su servicio técnico más cercano poniéndose en contacto con la oficina local de Black & Decker en la dirección que se indica en este manual. Como alternativa, se puede consultar en Internet, en la dirección siguiente, la lista de servicios técnicos autorizados e información completa de nuestros servicios de posventa y contactos: **www.2helpU.com**.

Visite el sitio web **www.blackanddecker.eu** para registrar su nuevo producto Black & Decker y estar al día sobre productos y ofertas especiales. Encontrará información adicional sobre la marca Black & Decker y nuestra gama de productos en **www.blackanddecker.eu**.

## Utilização

O corta-sebes Black & Decker foi concebido para aparar/podar cercas, arbustos e rubos. Esta ferramenta destina-se apenas a utilização doméstica.

## Instruções de segurança

### Avisos de segurança gerais para ferramentas eléctricas



**Advertência! Leia com atenção todos os avisos de segurança e instruções.** O não cumprimento de todas as instruções pode resultar em choque eléctrico, incêndio e/ou graves lesões.

### Guarde todos os avisos e instruções para consulta futura.

A expressão "ferramenta eléctrica" utilizada a seguir refere-se a ferramentas eléctricas com ligação à corrente eléctrica (com cabo) ou com bateria (sem fios).

1. **Segurança na área de trabalho**
  - a. **Mantenha a área de trabalho limpa e bem iluminada.** Áreas desarrumadas e mal iluminadas são propícias a acidentes.
  - b. **Não trabalhe com ferramentas eléctricas em áreas com risco de explosão, nas quais se encontrem líquidos, gases ou poeiras inflamáveis.**  
As ferramentas eléctricas produzem faíscas que podem provocar a ignição de poeiras ou vapores.
  - c. **Mantenha crianças e outras pessoas afastadas durante a utilização da ferramenta eléctrica.**  
As distrações podem dar origem a que perca o controlo da ferramenta.
2. **Segurança eléctrica**
  - a. **A ficha da ferramenta eléctrica deve caber na tomada. A ficha não deve ser modificada de modo algum. Não utilize quaisquer fichas adaptadoras com ferramentas eléctricas ligadas à terra.** Fichas sem modificações e tomadas adequadas reduzem o risco de choques eléctricos.
  - b. **Evite que o corpo entre em contacto com superfícies ligadas à terra, como tubos, radiadores, fogões e frigoríficos.** Existe um maior risco de choque eléctrico se o seu corpo estiver ligado à terra.
  - c. **As ferramentas eléctricas não podem ser expostas a chuva nem humidade.** A penetração de água na ferramenta eléctrica aumenta o risco de choques eléctricos.
  - d. **Manuseie o cabo com cuidado. O cabo não deve ser utilizado para transportar ou pendurar a ferramenta, nem para puxar a ficha da tomada. Mantenha o cabo afastado de calor, óleo, pontas afiadas ou partes móveis.** Cabos danificados ou torcidos aumentam o risco de choques eléctricos.
  - e. **Quando trabalhar com uma ferramenta eléctrica ao ar livre, utilize um cabo de extensão apropriado para esse fim.** A utilização de um cabo apropriado para áreas ao ar livre reduz o risco de choques eléctricos.
  - f. **Se for inevitável trabalhar com uma ferramenta eléctrica num local húmido, utilize um Dispositivo de Corrente Residual (RCD).** A utilização de um RCD reduz o risco de choque eléctrico.
3. **Segurança pessoal**
  - a. **Mantenha-se atento, observe o que está a fazer e seja prudente ao trabalhar com a ferramenta eléctrica. Não utilize uma ferramenta eléctrica se estiver cansado ou sob a influência de drogas, álcool ou medicamentos.** Um momento de falta de atenção durante a utilização de ferramentas eléctricas poderá causar graves lesões.
  - b. **Utilize equipamento de protecção pessoal. Use sempre óculos de protecção.** Equipamento de protecção como, por exemplo, máscara anti-poeiras, sapatos de segurança anti-derrapantes, capacete de segurança ou protecção auricular, de acordo com o tipo e a aplicação de ferramenta eléctrica, reduz o risco de lesões.
  - c. **Evite arranques involuntários. Certifique-se de que o botão está desligado antes de ligar a ferramenta à corrente eléctrica e/ou a bateria, pegando ou transportando a ferramenta.** Transportar ferramentas eléctricas com o dedo no botão ou ligar ferramentas eléctricas à tomada com o interruptor na posição de ligado pode dar origem a acidentes.
  - d. **Retire eventuais chaves de ajuste ou chaves de fendas, antes de ligar a ferramenta eléctrica.** Uma chave de fendas ou chave de ajuste que se encontre numa peça rotativa da ferramenta eléctrica poderá causar lesões.
  - e. **Não se incline. Mantenha-se sempre bem posicionado e em equilíbrio.** Desta forma, será mais fácil controlar a ferramenta eléctrica em situações inesperadas.
  - f. **Utilize vestuário adequado. Não utilize roupas largas nem jóias. Mantenha o cabelo, roupa e luvas afastados de peças em movimento.** Roupas largas, jóias ou cabelos longos podem ficar presos nas peças em movimento.
  - g. **Se for prevista a montagem de dispositivos de extracção e recolha de pó, assegure-se de que estão ligados e que são utilizados de forma correcta.** A utilização destes dispositivos reduz os riscos relacionados com pó.

4. **Utilização e manutenção da ferramenta eléctrica**
  - a. **Não sobrecarregue a ferramenta eléctrica. Utilize a ferramenta eléctrica adequada para o trabalho pretendido.** A ferramenta eléctrica correcta realizará o trabalho de forma melhor e mais segura, com a potência com que foi concebida.
  - b. **Não utilize a ferramenta eléctrica se o interruptor não puder ser ligado nem desligado.** Qualquer ferramenta eléctrica que não possa ser controlada com o interruptor é perigosa e terá de ser reparada.
  - c. **Desligue a ficha da tomada e/ou a bateria da ferramenta eléctrica antes de proceder a ajustes, trocar acessórios ou guardar ferramentas eléctricas.** Estas medidas de prevenção de segurança reduzem o risco de ligação inadvertida da ferramenta eléctrica.
  - d. **Mantenha as ferramentas eléctricas que não estiverem a ser utilizadas fora do alcance de crianças. Não permita que a ferramenta eléctrica seja utilizada por pessoas não familiarizadas com a mesma ou que não tenham lido estas instruções.** As ferramentas eléctrica são perigosas se utilizadas por pessoas não qualificadas.
  - e. **Efectue a manutenção das ferramentas eléctricas. Verifique se as partes móveis estão desalinhasadas ou bloqueadas, se existem peças partidas ou qualquer outra situação que possa afectar o funcionamento das ferramentas eléctricas. As peças danificadas devem ser reparadas antes da utilização da ferramenta eléctrica.** Muitos acidentes têm como causa uma manutenção insuficiente das ferramentas eléctricas.
  - f. **Mantenha as ferramentas de corte sempre afiadas e limpas.** As ferramentas de corte com a manutenção adequada e as extremidades afiadas bloqueiam com menos frequência e são mais fáceis de controlar.
  - g. **Utilize a ferramenta eléctrica, acessórios e peças de ferramenta de acordo com estas instruções, considerando as condições de trabalho e a tarefa a ser executada.** A utilização da ferramenta eléctrica para fins diferentes dos previstos pode resultar em situações perigosas.
5. **Reparação**
  - a. **A sua ferramenta eléctrica só deve ser reparada por pessoal qualificado e só devem ser colocadas peças sobressalentes originais.** Isso garante a manutenção da segurança da ferramenta eléctrica.

#### Avisos de segurança adicionais para ferramentas eléctricas



Avisos de segurança para o corta-sebes.

- ◆ **Mantenha o cabelo, roupas largas e todas as partes do seu corpo afastados das peças móveis. Não remova o material cortado ou material a ser cortado quando as lâminas estiverem em movimento. Certifique-se de que o interruptor está desligado quando desobstruir o material encravado.** Um momento de falta de atenção enquanto trabalha com o corta-sebes poderá causar graves lesões.
- ◆ **Transporte o corta-sebes pela mão com a lâmina de corte desligada. Quando transportar ou armazenar o corta-sebes, coloque sempre a tampa da barra de corte.** O manuseamento correcto do corta-sebes irá reduzir possíveis danos pessoais provocados pelas lâminas de corte.
- ◆ **Mantenha o cabo afastado da área de corte.** Durante o funcionamento, o cabo pode ficar escondido em arbustos e pode ser cortado acidentalmente pela lâmina.
- ◆ Evite objectos duros (cablagem de metal, calhas) quando apara. Se a ferramenta entrar acidentalmente em contacto com objectos duros, desligue-a imediatamente e verifique se há danos.
- ◆ **Segure sempre a ferramenta com ambas as mãos e pelos punhos fornecidos.**
- ◆ Esta ferramenta não deve ser utilizada por pessoas (incluindo crianças) que apresentem capacidades físicas, sensoriais ou mentais reduzidas ou que não possuam os conhecimentos e a experiência necessários, excepto se forem vigiadas e instruídas acerca da utilização da ferramenta por uma pessoa responsável pela sua segurança. As crianças deverão ser vigiadas de modo a assegurar que não mexam na ferramenta.
- ◆ A utilização prevista para este aparelho está descrita no manual de instruções. A utilização de qualquer acessório ou a realização de qualquer operação com este aparelho que não se inclua no presente manual de instruções poderá representar um risco de lesões pessoais e/ou danos materiais.
- ◆ Evite arranques involuntários. Não transporte a ferramenta com as mãos ou dedos pelo punho frontal ou botão do gatilho excepto se estiver desligada ou a bateria for removida. Certifique-se de que a ferramenta está desligada quando ligá-la à corrente eléctrica.

- ◆ Se nunca utilizou o corta-sebes anteriormente, procure obter instruções práticas de um utilizador com experiência como complemento a este manual.
- ◆ Nunca toque nas lâminas enquanto a ferramenta estiver em funcionamento.
- ◆ Nunca force a imobilização das lâminas.
- ◆ Não baixe a máquina até que as lâminas parem completamente.
- ◆ Verifique regularmente se existem danos e desgaste nas lâminas. Não utilize a ferramenta quando as lâminas estiverem danificadas.
- ◆ Se a ferramenta começar a vibrar anormalmente, desligue-a imediatamente e verifique se há danos.
- ◆ Se a ferramenta encravar, desligue-a imediatamente. Desligue a ferramenta ou remova a bateria antes de tentar remover quaisquer obstruções.
- ◆ Depois da utilização, coloque a protecção da lâmina fornecida. Guarde a ferramenta, certificando-se de que a lâmina não está exposta.
- ◆ Certifique-se sempre que todas as protecções estão colocadas quando utilizar a ferramenta. Nunca tente utilizar uma ferramenta não completa ou uma ferramenta sem modificações não autorizadas.
- ◆ Não permita que as crianças mexam na ferramenta.
- ◆ Tenha atenção aos detritos prestes a cair quando cortar as partes mais altas de uma sebe.

### Segurança de terceiros

- ◆ Este aparelho não deve ser utilizado por pessoas (incluindo crianças) que apresentem capacidades físicas, sensoriais ou mentais reduzidas ou que não possuam os conhecimentos e a experiência necessários, excepto se forem vigiadas e instruídas acerca da utilização do aparelho por uma pessoa responsável pela sua segurança.
- ◆ As crianças deverão ser vigiadas para que não mexam no aparelho.

### Vibração

Os valores de emissão de vibração declarados na secção de dados técnicos e na declaração de conformidade foram medidos de acordo com o método de teste padrão fornecido pela EN 60745 e podem ser utilizados para comparar ferramentas. O valor de emissão de vibração declarado pode ainda ser utilizado numa avaliação preliminar de exposição.

**Advertência!** O valor de emissão de vibração durante a utilização actual da ferramenta eléctrica pode ser diferente do valor declarado, dependendo da forma como a ferramenta é utilizada. O nível de vibração pode aumentar acima do nível indicado.

Quando avaliar a exposição da vibração para determinar as medidas de segurança exigidas pela 2002/44/CE para proteger pessoas que utilizem regularmente ferramentas eléctricas, deve ser considerada uma estimativa de exposição de vibração, as actuais condições de utilização e o modo como a ferramenta é utilizada, incluindo ainda todas as partes do ciclo de funcionamento, como os períodos de inactividade e espera da ferramenta, para além do tempo de funcionamento.

### Rótulos nas ferramentas

A ferramenta apresenta os seguintes pictogramas:



**Advertência!** Para reduzir o risco de lesões, o utilizador deve ler o manual de instruções.



Utilize óculos ou viseiras de protecção e protectores auriculares quando utilizar esta ferramenta.



Use luvas quando utilizar esta ferramenta.



Desligue imediatamente o cabo da ficha principal se este ficar danificado ou cortado.



Não exponha a ferramenta à chuva ou humidade elevada.

### Segurança eléctrica



Esta ferramenta tem um isolamento duplo e, por isso, não é necessário um fio de terra. Verifique sempre se a fonte de alimentação corresponde à tensão indicada na placa de especificações.

- ◆ Se o cabo de alimentação for danificado, terá de ser substituído pelo fabricante ou por um centro de assistência autorizado Black & Decker para evitar acidentes.
- ◆ A segurança eléctrica pode ser melhorada mediante o uso de um Dispositivo de Corrente Residual (RCD) de alta sensibilidade (30 mA).

### Utilização de um cabo de extensão

Utilize sempre um cabo de extensão aprovado adequado à entrada de corrente desta ferramenta (ver dados técnicos). O cabo de extensão tem de ser adequado a utilização no exterior e marcado correctamente. Pode ser utilizado um cabo de extensão HO5V V-F de 1,5 mm<sup>2</sup> com 30m sem perda de desempenho do aparelho. Antes da utilização, verifique se o cabo de extensão apresenta sinais de qualquer tipo de danos. Caso esteja danificado, substitua-o. Quando utilizar uma bobina de cabo, desenrole sempre o cabo completamente.

## Funções

1. Punho frontal
2. Botão do punho frontal
3. Botão de gatilho
4. Lâmina
5. Protecção das lâminas
6. Protecção

Este corta-sebes possui as seguintes características:

- ◆ Punhos ergonómicos para um corte cómodo.
- ◆ Lâminas aplainadas para melhor corte.
- ◆ Duas lâminas para uma vibração reduzida.

## Montagem

**Advertência!** Antes de tentar montar, certifique-se de que a ferramenta está desligada da corrente e a protecção da lâmina de serra está sobre as lâminas.

### Encaixar o punho (fig.A)

- ◆ Faça deslizar o punho (1) sobre as lâminas (4).
- ◆ Pressione o punho (1) para a localização na parte inferior da ferramenta.
- ◆ Fixe o punho utilizando os 4 parafusos (7) fornecidos.

### Fixar a protecção (fig. B)

- ◆ Localize a protecção (6) nas ranhuras na ferramenta.
- ◆ Fixe a protecção (6) utilizando os dois parafusos (8) fornecidos.

**Advertência!** Nunca utilize a ferramenta sem a protecção.

### Montagem da lâmina das pontas das serras (fig. C)

É fornecida uma protecção de ponta opcional (10) para proteger a extremidade das lâminas (4) quando cortar perto de uma superfície dura.

- ◆ Alinhe a protecção da ponta(10) com os 2 orifícios no fim do suporte da lâmina.
- ◆ Fixe a protecção da ponta utilizando os dois parafusos (9) fornecidos.

### Ligar a ferramenta à corrente eléctrica (fig. D)

Excepto se a ferramenta vier montada com um cabo de alimentação, irá necessitar de ligar um cabo de extensão à entrada eléctrica.

- ◆ Ligue a tomada fêmea de um cabo de extensão adequado à entrada eléctrica da ferramenta.
- ◆ Enrole o cabo através do fixador do cabo (11) conforme ilustrado para evitar que o cabo de extensão fique desligado durante a utilização.
- ◆ Introduza o cabo de alimentação na tomada eléctrica.

**Advertência!** O cabo de extensão deve ser adequado para utilização ao ar livre. Quando utilizar um enrolador de cabo, desenrole sempre o cabo totalmente.

## Riscos residuais

Podem surgir riscos residuais adicionais durante a utilização da ferramenta que poderão não constar nos avisos de segurança incluídos. Estes riscos podem resultar de má utilização, uso prolongado, etc.

Mesmo com a aplicação dos regulamentos de segurança relevantes e com a implementação de dispositivos de segurança, alguns riscos residuais não podem ser evitados. Incluem:

- ◆ ferimentos causados pelo contacto com peças em rotação/movimento.
- ◆ ferimentos causados durante a troca de peças, lâminas ou acessórios.
- ◆ ferimentos causados pela utilização prolongada de uma ferramenta. Quando utilizar uma ferramenta por períodos prolongados, faça intervalos regulares.
- ◆ diminuição da audição.
- ◆ problemas de saúde causados pela inalação de poeiras resultantes da utilização da ferramenta (exemplo: trabalhos em madeira, especialmente carvalho, faia e MDF).

## Utilização

**Advertência!** Deixe a ferramenta funcionar à vontade.

Não a sobrecarregue.

- ◆ Antes da utilização, verifique se a ferramenta e o cabo de alimentação apresenta danos. Preste atenção às protecções, botões e peças.
- ◆ Certifique-se de que a ferramenta irá funcionar correctamente e executar a função que pretende.
- ◆ Não utilize a ferramenta se estiver danificada ou com defeitos.
- ◆ Não utilize a ferramenta se o botão não puder ser ligado nem desligado.
- ◆ Se estiver danificada, solicite a respectiva reparação da ferramenta eléctrica a um agente de reparação autorizado. Nunca tente repará-la por sua conta.
- ◆ Oriente o cabo com cuidado para evitar cortes acidentais. Uma boa forma para controlar o cabo é colocá-lo sobre o ombro.
- ◆ Para a sua segurança, esta ferramenta está equipada com um sistema de dois interruptores. Este sistema evite que a ferramenta arranque inadvertidamente e apenas irá funcionar quando segurar a ferramenta com ambas as mãos.



## Ligar e desligar (fig. P)

### Ligar

Segure no punho frontal (1) com uma mão para que o botão do punho frontal (2) seja pressionado em direcção ao corpo da ferramenta. Com a outra mão, aperte o interruptor de gatilho (3) para ligar a ferramenta.

### Desligar

Solte o interruptor do gatilho frontal (2) ou o interruptor do gatilho (3).

**Advertência!** Nunca tente bloquear um interruptor de ligação na posição de ligado.

### Sugestões para uma utilização ideal

- ◆ Comece por aparar a parte superior da sebe. Incline ligeiramente a ferramenta (até 15° relativamente à linha de corte) para que as pontas da lâmina apontem ligeiramente para a sebe (fig. E). Isto irá permitir que as lâminas cortem mais eficazmente. Segure na ferramenta no ângulo pretendido e move-a firmemente ao longo da linha de corte. A lâmina de dois lados permite cortar em qualquer direcção.
- ◆ Para obter um corte muito direito, estique a mola ao longo do comprimento da extremidade à altura desejada. Utilize a mola como linha de orientação, corte exactamente acima.
- ◆ Para obter lados lisos, corte de baixo para cima ao longo do crescimento. As hastes mais jovens movem-se para fora quando a lâmina cortar de cima para baixo causando manchas superficiais na sebe (fig. F).
- ◆ Evite cortar objectos estranhos. Evite especialmente cortar cablagem metálica e calhas, pois podem danificar as lâminas.
- ◆ Lubrifique regularmente as lâminas.

### Linhas de orientação para aparar (Reino Unido e Irlanda)

- ◆ Podar sebes e arbustos cobertos com folhas sazonais (novas folhas em cada ano) em Junho e Outubro.
- ◆ Podar folhas perenes (sempre-verdes) em Abril e Agosto.
- ◆ Podar coníferas e outros arbustos de crescimento rápido em cada seis meses de Maio até Outubro.

### Linhas de orientação para podar (Austrália e Nova Zelândia)

- ◆ Podar sebes e arbustos cobertos com folhas sazonais (novas folhas em cada ano) em Dezembro e Março.
- ◆ Podar folhas perenes (sempre-verdes) em Setembro e Fevereiro.
- ◆ Podar coníferas e outros arbustos de crescimento rápido em cada seis meses de Outubro até Março.

## Manutenção

A sua ferramenta Black & Decker foi concebida para funcionar por um longo período de tempo com uma manutenção mínima. Um funcionamento contínuo e satisfatório depende de uma manutenção adequada e da limpeza regular da ferramenta.

**Advertência!** Antes de proceder a qualquer acção de manutenção, desligue a ferramenta e retire a ficha da tomada.

- ◆ Após a utilização, limpe as lâminas com cuidado. Após a limpeza, aplique uma película de óleo ligeiro para máquinas para evitar o aparecimento de ferrugem.
- ◆ Limpe regularmente as aberturas de ventilação da ferramenta com uma escova ou um pano seco e suave.
- ◆ Limpe regularmente o compartimento do motor com um pano limpo húmido. Não utilize nenhum produto de limpeza abrasivo ou à base de solvente.
- ◆ Certifique-se de que todos os botões não contêm detritos antes e após a utilização.

### Retirar a protecção (fig. B)

**Advertência!** Retirar a protecção para fins de manutenção apenas. Volte a colocar sempre a protecção após a manutenção.

- ◆ Retire os parafusos (8).
- ◆ Faça deslizar a protecção (6) para fora da ferramenta.

### Resolução de problemas

Se a ferramenta não funcionar correctamente, verifique o seguinte:

Avaria	Possível causa	Ação
A ferramenta não irá arrancar	Fusível fundido	Substituir fusível
	RCD torcido	Verificar RCD
	Cabo de alimentação desligado	Verifique a alimentação eléctrica

## Protecção do ambiente



Recolha separada. Este produto não pode ser eliminado juntamente com os resíduos domésticos normais.

Se, em algum momento, for necessário substituir o aparelho ou se este deixar de ter utilidade, não elimine o produto num caixote do lixo. Coloque-o disponível para uma recolha separada.



A recolha separada de produtos e embalagens usados permite que os materiais sejam reciclados e novamente utilizados. A reutilização de materiais reciclados ajuda a evitar a poluição ambiental e reduz a procura de matérias-primas.

A legislação local poderá prever a recolha separada de produtos domésticos eléctricos, seja em lixeiras municipais ou através do revendedor quando adquire um produto novo.

A Black & Decker dispõe de instalações para recolha e reciclagem de produtos Black & Decker quando estes atingem o fim da sua vida útil. Para usufruir deste serviço, devolva o produto em qualquer agente de reparação autorizado, que os recolherá em seu nome.

Podem verificar a localização do agente de reparação autorizado mais perto de si, contactando os escritórios locais da Black & Decker através do endereço indicado neste manual. Se preferir, pode encontrar na Internet uma lista de agentes de reparação autorizados Black & Decker, detalhes completos e contactos do serviço pós-venda, no endereço: [www.2helpU.com](http://www.2helpU.com).

### Dados técnicos

	GT5026 TIPO 1	GT6025 TIPO 1	GT6026 TIPO 1	GT6030 TIPO 1	GT6530 TIPO 1	GT7026 TIPO 1	GT7030 TIPO 1
Tensão	Vac 230	230	230	230	230	230	230
Potência utilizada	W 600	600	650	650	350	700	700
Cursos da lâmina (sem carga)	min-1 1400	1400	1400	1400	1400	1400	1400
Comprimento da lâmina	cm 50	60	60	60	65	70	70
Intervalo entre as lâminas	mm 26	26	26	30	30	26	30
Tempo de paragem das lâminas	s <1.0	<1.0	<1.0	<1.0	<1.0	<1.0	<1.0
Peso (sem cabo de alimentação)	kg 4.9	4.9	4.9	4.9	4.9	4.9	4.9

Valores totais de vibração (soma vectores triax) de acordo com EN 60745:

Valor de emissão de vibrações ( $a_h$ ) 4.6 m/s<sup>2</sup>,  
imprecisão (K) 1.5 m/s<sup>2</sup>

**Declaração de conformidade CE**DIRECTIVA MÁQUINAS  
DIRECTIVA DE RUÍDO AMBIENTE**GT5026, GT6025, GT6026, GT6030, GT6530,  
GT7026, GT7030**

A Black & Decker declara que os produtos descritos em "dados técnicos" estão em conformidade com as seguintes normas:

98/37/CE (até 28 de Dezembro de 2009),  
2006/42/CE (a partir de 29 de Dezembro de 2009),  
EN60745-1, EN60745-2-15

2000/14/EC, corta-sebes, Anexo V,

Nível de potência sonora de acordo com 2000/14/CE (Artigo 13, Anexo III,  $L \leq 50\text{cm}$ ):

$L_{WA}$  (potência sonora medida) 97 db  
imprecisão (K) 3 dB(A)

$L_{WA}$  (potência sonora garantida) 102 db  
imprecisão (K) 3 dB(A)

Estes produtos estão também em conformidade com a Directiva 2004/108/EC. Para obter mais informações, contacte a Black & Decker no endereço indicado ou consulte a parte posterior do manual.

O signatário é responsável pela compilação do ficheiro técnico e efectua esta declaração em nome da Black & Decker.

Kevin Hewitt  
Vice-President Global Engineering  
Black & Decker Europe,  
210 Bath Road, Slough,  
Berkshire, SL1 3YD  
Reino Unido  
24-11-2009

**Garantia**

A Black & Decker confia na qualidade dos seus produtos e oferece uma garantia excelente. Esta declaração de garantia é um complemento dos seus direitos estabelecidos por lei, não os prejudicando de forma alguma. A garantia é válida nos territórios dos Estados Membros da União Europeia e da Associação Europeia de Comércio Livre.

Se um produto Black & Decker se avariar devido a defeitos de material, fabrico ou não conformidade, num período de 24 meses após a data da compra, a Black & Decker garante a substituição de peças defeituosas, a reparação de produtos sujeitos a um desgaste aceitável ou a substituição dos mesmos para garantir o mínimo de inconveniente ao cliente, excepto se:

- ◆ O produto tiver sido utilizado para fins comerciais, profissionais ou de aluguer.
- ◆ O produto tiver sido submetido a utilização indevida ou descuido.
- ◆ O produto tiver sido danificado por objectos estranhos, substâncias ou acidentes.
- ◆ Tiverem sido tentadas reparações por pessoas que não sejam agentes de reparação autorizados ou técnicos de manutenção da Black & Decker.

Para accionar a garantia, terá de apresentar comprovativos de compra ao vendedor ou a um agente de reparação autorizado. Pode verificar a localização do agente de reparação autorizado mais perto de si, contactando os escritórios locais da Black & Decker através do endereço indicado neste manual. Se preferir, pode encontrar na Internet uma lista de agentes de reparação autorizados Black & Decker, detalhes completos e contactos do serviço pós-venda, no endereço: **[www.2helpU.com](http://www.2helpU.com)**.

Visite o nosso website **[www.blackanddecker.eu](http://www.blackanddecker.eu)** para registar o novo produto Black & Decker e manter-se actualizado relativamente a novos produtos e ofertas especiais. Pode encontrar mais informações sobre a marca Black & Decker e nossa gama de produtos em **[www.blackanddecker.eu](http://www.blackanddecker.eu)**.

## Användningsområde

Denna häcksax från Black & Decker är avsedd för klippning av häckar och buskar. Verktöget är endast avsett som konsumentverktyg.

## Säkerhetsinstruktioner

### Allmänna säkerhetsanvisningar för elverktyg



**Varning! Läs alla säkerhetsföreskrifter och alla anvisningar.** Om anvisningarna nedan inte följs kan det orsaka elektriska stötar, brand och/eller allvarliga kroppsskador.

### Spara alla säkerhetsföreskrifter och anvisningar för framtida bruk.

Nedan använt begrepp "Elverktyg" hänför sig till nätdrivna elverktyg (med nätsladd) och till batteridrivna elverktyg (sladdlösa).

#### 1. Säkerhet i arbetsområdet

- Håll arbetsplatsen ren och välbelyst.** Oordning på arbetsplatsen och dåligt belyst arbetsområde kan leda till olyckor.
- Använd inte elverktöget i explosionsfarlig omgivning med brännbara vätskor, gaser eller damm.** Elverktögen alstrar gnistor som kan antända dammet eller gaserna.
- Håll under arbetet med elverktöget barn och andra personer på betryggande avstånd.** Om du blir störd kan du förlora kontrollen över elverktöget.

#### 2. Elektrisk säkerhet

- Elverktögets stickkontakt måste passa till eluttaget. Stickkontakten får absolut inte ändras. Använd inte adapterkontakter tillsammans med jordade elverktyg.** Med oförändrade stickkontakter och passande vägguttag minskas risken för elstötar.
- Undvik kroppskontakt med jordade ytor som t.ex. rör, värmeelement, spisar och kylskåp.** Risken för elektriska stötar ökar om din kropp är jordad.
- Skydda elverktöget mot regn och väta.** Om vatten tränger in i ett elverktyg ökar risken för elektriska stötar.
- Hantera inte nätsladden varsamt. Använd inte sladden för att bära eller dra elverktöget och inte heller för att dra ut verktöget ur vägguttaget. Håll nätsladden borta från värme, olja, skarpa kanter och rörliga maskindelar.** Risken att du får en elstöt är större om sladdarna är skadade eller tilltrasslade.
- Använd endast förlängningssladdar som är godkända för utomhusbruk när du arbetar med elverktyg utomhus.** Om du använder en förlängningssladd som är avsedd för utomhusbruk minskar risken för att du ska få en elstöt.

- Om du måste använda ett elverktyg på en fuktig plats ska du använda jordfelsbrytare.** Jordfelsbrytaren minskar risken för stötar/elchock.
- Personlig säkerhet**
    - Var uppmärksam, se på vad du gör och använd elverktöget med förnuft. Använd inte elverktöget när du är trött eller om du är påverkad av droger, alkohol eller mediciner.** Under användning av elverktyg kan även en kort uppmärksamhet leda till allvarliga kroppsskador.
    - Använd skyddsutrustning. Bär alltid skyddsglasögon.** Den personliga skyddsutrustningen, t.ex. dammfiltermask, halkfria säkerhetsskor, hjälm och hörselskydd, reducerar risken för kroppsskada när den används vid rätt tillfällen.
    - Undvik oavsiktlig igångsättning. Kontrollera att strömbrytaren står i avstängt läge innan du ansluter verktöget till elnätet eller sätter i batteriet, samt innan du tar upp eller bär verktöget.** Det kan vara mycket farligt att bära ett elverktyg med fingret på strömbrytaren eller koppla det till nätet respektive sätta i batteriet med strömbrytaren i till-läge.
    - Ta bort alla inställningsverktyg och skruvnycklar innan du startar elverktöget.** Ett verktyg eller en nyckel i en roterande komponent kan orsaka kroppsskada.
    - Sträck dig inte för långt. Se till att du alltid har säkert fotfäste och balans.** Därmed har du bättre kontroll över elverktöget i oväntade situationer.
    - Bär lämpliga kläder. Bär inte löst hängande kläder eller smycken. Håll undan hår, kläder och handskar från rörliga delar.** Löst hängande kläder, smycken och långt hår kan fastna i roterande delar.
    - Om elverktöget har dammsugnings- och - uppsamlingsutrustning, kontrollera att anordningarna är rätt monterade och används på korrekt sätt.** Dessa anordningar reducerar de risker som kan uppstå i samband med damm.
  - Bruk och skötsel av elverktyg**
    - Överbelasta inte elverktöget. Använd rätt elverktyg för det aktuella arbetet.** Med rätt elverktyg kan du arbeta bättre och säkrare med det som verktöget är avsett för.
    - Använd inte elverktöget om det inte går att starta och stänga av det med strömbrytaren.** Ett elverktyg som inte kan startas och stängas av med strömbrytaren är farligt och måste repareras.

- c. **Dra stickproppen ur väggtaget och/eller ta ur batteriet ur elverktyget innan inställningar utförs, tillbehörskomponenter byts ut eller elverktyget ställs undan.** Denna skyddsåtgärd förhindrar oavsiktlig inkoppling av elverktyget.
- d. **Förvara elverktygen utom räckhåll för barn. Låt inte elverktyget användas av personer som inte är vana vid det, eller som inte läst denna bruksanvisning.** Elverktyg är farliga om de används av ovana personer.
- e. **Sköt elverktyget omsorgsfullt. Kontrollera att rörliga komponenter fungerar felfritt och inte kärvar, att komponenter inte brustit eller skadats och inget annat föreligger som kan påverka elverktygets funktioner. Om elverktyget är skadat, se till att få det reparerat innan det används.** Många olyckor orsakas av dåligt skötta elverktyg.
- f. **Håll skärverktyg vassa och rena.** Omsorgsfullt skötta skärverktyg med skarpa eggar fastnar inte så lätt och är lättare att hantera.
- g. **Använd elverktyget, tillbehör, insatsverktyg osv. enligt dessa anvisningar och på sätt som föreskrivits för aktuell verktygsmodell. Ta hänsyn till arbetsvillkoren och arbetsmomenten.** Används elverktyget på icke ändamålsenligt sätt kan farliga situationer uppstå.
5. **Service**
- a. **Låt elverktyget reparerat endast av utbildade reparatörer och med originalreservdelar.** Detta garanterar att elverktyget förblir säkert.

#### Ytterligare säkerhetsanvisningar för elverktyg



Säkerhetsanvisningar för häcksaxen.

- ◆ **Håll alla kroppsdelar borta från saxbladet. Ta inte bort klippmaterial och håll inte i material som ska klippas medan bladen rör sig. Kontrollera att strömbrytaren är av när du rensar fastnat material.** Under användning av häcksaxen kan även en kort ouppmärksamhet leda till allvarliga kroppsskador.
- ◆ **Bär häcksaxen i handtaget medan den är avstängd. Se alltid till att svärdskyddet är på under transport eller förvaring.** Rätt hantering av häcktrimmern minskar risken för kroppsskador av klippbladen.
- ◆ **Håll sladden borta från klippområdet.** Under drift kan kabeln döljas bland kvistar och blad och kan därför komma att klippas av oavsiktligt.
- ◆ Undvik hårda föremål (t.ex. stålträdsstaket och räcken) när du klipper. Om du skulle råka komma åt något sådant föremål måste du omedelbart stänga av verktyget och kontrollera eventuella skador.
- ◆ Verktyget ska endast hållas med händerna och i handtagen.
- ◆ Verktyget ska inte användas av personer (inklusive barn) med nedsatt fysisk eller mental förmåga eller bristande erfarenhet och kunskap, om de inte får vägledning och övervakas av en person som ansvarar för deras säkerhet. Barn måste hållas under uppsikt så att de inte leker med verktyget.
- ◆ Användningsområdet beskrivs i den här bruksanvisningen. Om andra tillbehör eller tillsatser används på verktyget eller om någon annan åtgärd utförs med verktyget än de som rekommenderas i den här bruksanvisningen, kan personer och/eller egendom ta skada.
- ◆ Undvik oavsiktlig igångsättning. Bär inte verktyget med händerna eller fingrarna på det främre handtaget, och tryck då inte heller på strömbrytaren såvida inte strömmen är urkopplad eller batteriet har tagits ut. Se till att verktyget är avstängt när du kopplar in det.
- ◆ Om du inte har använt häcksaxen förut bör du rådfråga någon med erfarenhet samt läsa denna bruksanvisning.
- ◆ Vidrör aldrig bladen medan verktyget är igång.
- ◆ Försök aldrig tvinga bladen att stanna.
- ◆ Lägg inte ned verktyget förrän bladen har stannat helt.
- ◆ Kontrollera regelbundet att bladen inte har skadats eller är slitna. Använd inte verktyget om bladen är skadade.
- ◆ Om verktyget skulle börja vibrera onormalt måste du omedelbart stänga av det och kontrollera eventuella skador.
- ◆ Stäng av verktyget direkt om det kör fast. Innan du tar bort eventuella fastnade föremål måste du dra ut nätsladden eller ta ut batteriet.
- ◆ Montera det medföljande bladskyddet över bladen efter användning. Förvara verktyget så att bladen inte exponeras.
- ◆ Se till att alla skydd alltid sitter på när du använder verktyget. Försök aldrig att använda ett ofullständigt verktyg med oauktorerade ändringar.
- ◆ Låt aldrig barn använda verktyget.
- ◆ Se upp för nedfallande bråte när du klipper höga häckar.

#### Säkerhet för andra

- ◆ Apparaten ska inte användas av personer (inklusive barn) med nedsatt fysisk eller psykisk förmåga eller bristande erfarenhet eller kunskap, om de inte får vägledning och övervakas av en person som ansvarar för deras säkerhet.
- ◆ Barn ska hållas under uppsikt så att de inte leker med apparaten.

## Vibrationer

De uppgivna vibrationsvärdena som anges i avsnitten Tekniska data och EU-förklaring om överensstämmelse har uppmätts i enlighet med en standardtestmetod föreskriven i EN 60745 och kan användas för jämförelse med andra verktyg. Det uppgivna vibrationsvärdet kan även användas för en preliminär bedömning av exponering.

**Varning!** Vibrationsvärdet under faktisk användning av elverktyget kan skilja sig från det uppgivna värdet beroende på hur verktyget används. Vibrationsnivån kan överstiga den uppgivna nivån.

Vid uppskattningar av exponering för vibrationer i syfte att bedöma vilka säkerhetsåtgärder som är nödvändiga enligt 2002/44/EG för att skydda personer som regelbundet använder elverktyg i arbetet ska man utgå från de faktiska omständigheter under vilka elverktyget används och sättet på vilket det används. Bedömningen ska även ta hänsyn till alla moment i arbetscykeln, t.ex. när verktyget är avstängt och när det går på tomgång såväl som när det faktiskt används.

## Etiketter på verktyg

Följande symboler finns på verktyget:



**Varning!** Läs bruksanvisningen innan du använder sågen för att minska risken för olyckor.



Bär alltid skyddsglasögon och öronskydd när du använder verktyget.



Bär handskar när du använder verktyget.



Dra omedelbart ur sladden om den skadas eller sågas av.



Utsätt inte verktyget för regn och väta.

## Elektrisk säkerhet



Eftersom verktyget är dubbelisolerat behövs ingen jordledare. Kontrollera alltid att nätspänningen överensstämmer med värdet på typskylten.

- Om nätsladden är skadad måste den för undvikande av fara bytas ut av tillverkaren eller en auktoriserad Black & Decker-verkstad.
- Elsäkerheten kan förbättras ytterligare genom att man använder en jordfelsbrytare med hög känslighet (30 mA).

## Använda förlängningssladd

- Använd alltid en godkänd förlängningssladd som är lämplig för strömförsörjning till det här verktyget (se tekniska data). Förlängningssladden måste vara anpassad och märkt för utomhusbruk. Det går att använda en 1,5 mm<sup>2</sup> HO5V V-F-förlängningssladd som är upp till 30 m lång utan att produktens prestanda påverkas. Innan användning bör du kontrollera att förlängningssladden inte är skadad, sliten eller gammal. Om sladden är skadad eller inte fungerar ska den bytas ut. Om du använder en kabelvinda bör du alltid se till att rulla ut hela sladden.

## Funktioner

1. Övre handtag
2. Övre strömbrytare
3. Strömbrytare
4. Sågblad
5. Bladskydd
6. Skydd

Denna häcksax har följande funktioner:

- Ergonomiskt utformade handtag för bekväm klippning.
- Maskinbearbetade blad för bättre klippning.
- Dubbelverkande blad för minskade vibrationer.

## Montering

**Varning!** Innan du monterar häcksaxen ska du kontrollera att verktyget är avstängt och att bladskyddet sitter på.

### Montera handtaget (bild A)

- Dra handtaget (1) över bladen.
- Tryck in handtaget (1) längst ner på verktyget.
- Fäst handtaget med de 4 medföljande skruvarna (7).

### Montera skyddet (bild B)

- Passa in skyddet (6) i spåren på verktyget.
- Fäst skyddet (6) med de två medföljande skruvarna (8).

**Varning!** Använd aldrig verktyget utan skyddet.

### Montera och ta bort bladspetskyddet (bild C)

Det medföljer ett bladspetskydd (10) som skyddar bladspetsarna (4) när man klipper nära hårda ytor.

- Passa in bladspetskyddet (10) med de 2 hälen i bladklingans ände.
- Fäst skyddet med de två medföljande skruvarna (9).

### Ansluta verktyget till elnätet (bild D)

Om verktyget saknar nätkabel måste du ansluta en förlängningssladd till elkontakten.

- Anslut honkontakten på en lämplig förlängningskabel till verktygets elkontakt.

- ◆ Dra kabeln genom kabeldragskyddet (11) som på bilden, så att förlängningssladden inte lossnar under drift.
- ◆ Anslut nätsladden till eluttaget.

**Varning!** Förlängningssladden måste vara lämpad för utomhusbruk. När du använder en sladdvinda ska du alltid dra ut hela sladden.

### Övriga risker

Ytterligare risker som inte finns med i de bifogade säkerhetsföreskrifterna kan uppstå när verktyget används. Dessa risker kan uppstå vid felaktig eller långvarig användning, etc.

Även om alla relevanta säkerhetsföreskrifter följs och säkerhetsanordningar används kan vissa ytterligare risker inte undvikas. Dessa innefattar:

- ◆ Skador orsakade av att roterande/rörliga delar vidrörs.
- ◆ Skador som uppstår vid byte av delar, blad eller tillbehör.
- ◆ Skador som orsakas av långvarig användning av ett verktyg. Se till att ta regelbundna raster när du använder ett verktyg under en längre period.
- ◆ Skador på hörseln.
- ◆ Hälsofaror orsakade av inandning av damm när verktyget används (exempel: arbete med trä, särskilt ek, bok och MDF).

### Användning

**Varning!** Låt sågen arbeta i sin egen takt. Överbelasta den inte.

- ◆ Kontrollera noga att verktyget och nätsladden är hela innan du använder dem. Kontrollera även skydd, strömbrytare och övriga delar.
- ◆ Försäkra dig om att verktyget fungerar som det ska och kan användas för sitt avsedda ändamål.
- ◆ Använd inte verktyget om någon del har skadats eller gått sönder.
- ◆ Använd inte verktyget om det inte går att starta och stänga av det med strömbrytaren.
- ◆ Om det är skadat måste det repareras av en behörig reparatör. Ge dig aldrig på reparationer själv.
- ◆ Håll undan kabeln ordentligt, så att du inte råkar klippa av den. Ett bra sätt att ha koll på kabeln är att ha den över axeln.
- ◆ Sågen är för din säkerhet utrustad med dubbelt strömbrytarsystem. Systemet motverkar oavsiktlig start av verktyget och medger drift endast om man håller i verktyget med bägge händerna.

### Slå på och av

#### Starta apparaten

Håll i det främre handtaget (1) med en hand, så att den övre strömbrytaren (2) trycks in i verktyget. Tryck på strömbrytaren (3) med andra handen, så att verktyget startar.

#### Stänga av apparaten

Släpp den övre strömbrytaren (2) eller strömbrytaren (3).

**Varning!** Försök aldrig låsa eller fixera strömbrytaren i påslaget läge.

#### Råd för bästa resultat

- ◆ Klipp först häckens topp. Tippa verktyget något (upp till 15° relativt klipplinjen) så att bladspetsarna pekar något mot häcken (bild E). Då klipper bladen effektivare. Håll verktyget i önskad vinkel och flytta det stadigt längs klipplinjen. Du kan klippa åt både höger och vänster.
- ◆ För att få en väldigt rak klipplinje kan du dra ett snöre längs häckens topp vid önskad höjd. Använd det som rättesnöre och klipp strax ovanför.
- ◆ För att få sidorna platta kan du klippa uppåt i grenarnas växtriktning. Yngre grenar växer utåt när bladet klipper nedåt, vilket skapar hål i häcken (bild F).
- ◆ Undvik främmande föremål. Undvik särskilt hårda föremål som ståltråd och räcken, då dessa kan skada bladen.
- ◆ Olja bladen regelbundet.

#### Riktlinjer för klippning (Storbritannien och Irland)

- ◆ Klipp häckar och buskar med ettåriga blad (nya blad varje år) i juni och oktober.
- ◆ Klipp städsegröna häckar och buskar i april och augusti.
- ◆ Klipp barrträd och andra snabbväxande buskar var sjätte vecka från maj till oktober.

#### Riktlinjer för klippning (Australien & Nya Zeeland)

- ◆ Klipp häckar och buskar med ettåriga blad (nya blad varje år) i december och mars.
- ◆ Klipp städsegröna häckar och buskar i september och februari.
- ◆ Klipp barrträd och andra snabbväxande buskar var sjätte vecka från oktober till mars.

### Underhåll

Detta Black & Decker-verktyg har tillverkats för att fungera under lång tid med ett minimum av underhåll. Med rätt underhåll och regelbunden rengöring behåller verktyget sin prestanda.

**Varning!** Innan något underhåll utförs måste verktyget stängas av och sladden dras ur vägguttaget.

- ◆ Rengör bladen noga efter användning. Lägg på en film lätt smörjolja efter rengöringen, så att bladen inte rostar.
- ◆ Rengör regelbundet verktygets luftintag med en mjuk borste eller torr trasa.
- ◆ Rengör kåpan regelbundet med en fuktig trasa. Använd aldrig rengöringsmedel med lösnings- eller slipmedel.
- ◆ Kontrollera att alla strömbrytare är fria från skräp före och efter användningen.

### Ta bort skyddet (bild B)

**Varning!** Ta bara bort skyddet i underhållssyfte. Sätt alltid tillbaka skyddet efter underhållsarbetet.

- ◆ Ta bort skruvarna (8).
- ◆ Dra av skyddet (6) från verktyget.

### Felsökning

Om verktyget inte fungerar ordentligt bör du kontrollera följande.

Fel	Möjlig orsak	Åtgärd
Verktyget startar inte	Säkring trasig	Byt säkring
	Jordfelsbrytare utlöst	Kontrollera jordfelsbrytare
	Nätkabeln urkopplad	Kontrollera nätanslutningen.

### Tekniska data

	GT5026	GT6025	GT6026	GT6030	GT6530	GT7026	GT7030
Spänning	VAC 230	230	230	230	230	230	230
Ineffekt	W 600	600	650	650	350	700	700
Bladfrensens (utan belastning)	per min 1400	1400	1400	1400	1400	1400	1400
Bladlängd	cm 50	60	60	60	65	70	70
Bladavstånd	mm 26	26	26	30	30	26	30
Bladets stopptid	s <1,0	<1,0	<1,0	<1,0	<1,0	<1,0	<1,0
Vikt (utan nätsladd)	kg 4,9	4,9	4,9	4,9	4,9	4,9	4,9

Totala vibrationsvärden (vektorsumman av tre axlar) fastställt enligt EN 60745:  
 Vibrationsvärde ( $a_h$ ) 4.6 m/s<sup>2</sup>, osäkerhet (K) 1.5 m/s<sup>2</sup>

### Miljö



Separat insamling. Produkten får inte kastas i hushållssoptorna.

Tänk på miljön när du slänger denna Black & Decker-produkt. Släng den inte tillsammans med hushållsavfallet. Lämna produkten för separat insamling.



Insamling av uttjänta produkter och förpackningsmaterial gör att material kan återanvändas. Användning av återvunnet material minskar föroreningar av miljön och behovet av råmaterial.

Lokala föreskrifter kan kräva separat insamling av elprodukter från hushållen, vid kommunala samlingsplatser eller hos återförsäljaren när du köper en ny produkt.

Black & Decker samlar in och återvinner uttjänta Black & Decker-produkter. Om du vill utnyttja denna tjänst återlämnar du produkten till en auktoriserad verkstad, som samlar in den för vår räkning.

För information om närmaste auktoriserade verkstad, kontakta det lokala Black & Decker-kontoret på den adress som är angiven i bruksanvisningen. En lista över alla auktoriserade verkstäder samt servicevillkor finns även tillgänglig på Internet: [www.2helpU.com](http://www.2helpU.com).



**EG-deklaration om överensstämmelse**

MASKINDIREKTIV  
BULLERFÖRESKRIFTER, UTMOMHUS



**GT5026, GT6025, GT6026, GT6030, GT6530,  
GT7026, GT7030**

Black & Decker garanterar att produkterna som beskrivs under "Tekniska data" uppfyller: 98/37/EG (fram till 28 dec 2009), 2006/42/EG (från 29 dec 2009), EN60745-1, EN60745-2-15

2000/14/EC, häcksax, Annex V,

Den akustiska effekten enligt 2000/14/EG (Artikel 13, Annex III,  $L \leq 50$ cm):

$L_{WA}$  (uppmätt ljudnivå) 97 db  
osäkerhet (K) 3 dB(A)

$L_{WA}$  (garanterad ljudnivå) 102 db  
osäkerhet (K) 3 dB(A)

De här produkterna överensstämmer även med direktivet 2004/108/EG. Mer information får du genom att kontakta Black & Decker på följande address eller titta i slutet av bruksanvisningen.

Undertecknad är ansvarig för sammanställningen av tekniska data och gör denna försäkras för Black & Decker.

Kevin Hewitt  
Vice-President Global Engineering  
Black & Decker Europe,  
210 Bath Road, Slough,  
Berkshire, SL1 3YD  
Storbritannien  
24-11-2009

**Garanti**

Black & Decker garanterar att produkten är fri från material- och/eller fabriktionsfel vid leverans till kund. Garantin gäller utöver konsumentens rättigheter enligt lag och påverkar inte dessa. Garantin gäller inom medlemsstaterna i Europeiska Unionen och i det Europeiska Frihandelsområdet.

Om en Black & Decker-produkt går sönder på grund av material- och/eller fabriktionsfel eller brister i överensstämmelse med specifikationen, inom 24 månader från köpet, åtar sig Black & Decker att reparera eller byta ut produkten med minsta besvär för kunden, förutom om:

- ◆ Produkten har använts i kommersiellt, yrkesmässigt eller uthyringssyfte.
- ◆ Produkten har utsatts för felaktig användning eller skötsel.
- ◆ Produkten har skadats av främmande föremål, ämnen eller genom olyckshändelse.
- ◆ Reparation har utförts av någon annan än en auktoriserad Black & Decker-verkstad.

För att utnyttja garantin skall produkten och inköpskvittot lämnas till återförsäljaren eller till en auktoriserad verkstad. För information om närmaste auktoriserad verkstad, kontakta det lokala Black & Decker-kontoret på den adress som är angiven i bruksanvisningen. En lista på alla auktoriserade verkstäder samt servicevillkor finns även tillgängliga på Internet:

**[www.2helpU.com](http://www.2helpU.com)**.

Besök vår webbplats **[www.blackanddecker.se](http://www.blackanddecker.se)** för att registrera din nya Black & Decker-produkt samt för att erhålla information om nya produkter och specialerbjudanden. Vidare information om märket Black & Decker och vårt produktsortiment återfinns på **[www.blackanddecker.se](http://www.blackanddecker.se)**.

## Bruksområde

Din Black & Decker-hekksaks er konstruert for trimming av hekker og busker. Verktøyet er bare beregnet for bruk som konsumentverktøy.

## Sikkerhetsinstruksjoner

### Generelle sikkerhetsadvarsler for elektroverktøy



**Advarsel! Les alle sikkerhetsadvarsler og alle instruksjoner.** Hvis ikke alle instruksjonene blir fulgt, kan det medføre elektrisk støt, brann og/eller alvorlige personskader.

### Ta vare på alle advarsler og instruksjoner for fremtidig bruk.

Uttrykket "elektroverktøy" i alle advarslene nedenfor gjelder for strømdrevne elektroverktøy (med ledning) og batteridrevne elektroverktøy (uten ledning).

1. **Sikkerhet i arbeidsområdet**
  - a. **Hold arbeidsområdet rent og godt opplyst.**  
Rotete arbeidsområder og arbeidsområder uten lys kan føre til ulykker.
  - b. **Ikke arbeid med elektroverktøy i eksplosjonsfarlige omgivelser – der det befinner seg brennbare væsker, gass eller støv.** Elektroverktøy forårsaker gnister som kan antenne støv eller damper.
  - c. **Hold barn og andre personer unna når elektroverktøyet brukes.** Hvis du blir forstyrret under arbeidet, kan du miste kontrollen.
2. **Elektrisk sikkerhet**
  - a. **Støpselet til elektroverktøyet må passe inn i stikkkontakten. Støpselet må ikke forandres på noen som helst måte. Ikke bruk adapterstøpsler sammen med jordede elektroverktøy.** Bruk av originale støpsler og passende stikkontakter reduserer risikoen for elektrisk støt.
  - b. **Unngå kroppskontakt med jordede overflater som rør, radiatorer, komfyrer og kjøleskap.** Det er større fare for elektrisk støt dersom kroppen din er jordat.
  - c. **Hold elektroverktøy unna regn eller fuktighet.** Dersom det kommer vann i et elektroverktøy, øker faren for elektrisk støt.
  - d. **Unngå uforvarlig behandling av ledningen. Elektroverktøyet må aldri bæres eller trekkes etter ledningen, og trekk heller ikke ut støpselet ved å rykke i ledningen. Hold ledningen unna varme, olje, skarpe kanter eller bevegelige deler.** Med skadde eller sammenflokede ledninger øker risikoen for elektrisk støt.
3. **Personsikkerhet**
  - a. **Vær oppmerksom, pass på hva du gjør, og vis fornuft når du arbeider med et elektroverktøy. Ikke bruk elektroverktøy når du er trett eller er påvirket av narkotika, alkohol eller medikamenter.** Et øyeblikks uoppmerksomhet under bruk av verktøyet kan føre til alvorlige personskader.
  - b. **Bruk personlig verneutstyr. Bruk alltid vernebriller.** Bruk av personlig verneutstyr, for eksempel støvmaske, sklisykret vernesko, hjelm eller hørselsvern som passer til forholdene, reduserer risikoen for personskader.
  - c. **Forhindre utilsiktet start av elektroverktøyet. Kontroller at bryteren står i posisjon "av" før du kobler til strømkilden og/eller batteripakken, og før du tar opp eller bærer verktøyet.** Det kan føre til ulykker hvis du bærer elektroverktøyet med fingeren på bryteren, eller kobler til verktøyet når bryteren ikke står i posisjon "av".
  - d. **Fjern innstillingsverktøy eller skrunøkler før du slår på elektroverktøyet.** Et verktøy eller en nøkkel som befinner seg i en roterende del, kan forårsake personskade.
  - e. **Ikke strekk deg for langt. Pass på at du alltid har sikkert fotfeste og god balanse.** Da kan du kontrollere elektroverktøyet bedre i uventede situasjoner.
  - f. **Bruk alltid egnede klær. Ikke bruk løstsittende klær eller smykker. Hold hår, klær og hansker unna bevegelige deler.** Løstsittende klær, smykker eller langt hår kan komme inn i bevegelige deler.
  - g. **Hvis det kan monteres støvavsug- og oppsamlingsinnretninger, må du forvise deg om at disse er tilkoblet og brukes på riktig måte.** Bruk av disse innretningene reduserer faren i forbindelse med støv.
4. **Aktsom håndtering og bruk av elektroverktøy**
  - a. **Ikke bruk makt på elektroverktøyet. Bruk et elektroverktøy som er beregnet på den type arbeid du vil utføre.** Med et passende elektroverktøy arbeider du bedre og sikrere i det angitte effektområdet.
5. **Når du arbeider utendørs med et elektroverktøy, må du kun bruke en skjøteleddning som er godkjent til utendørs bruk.** Når du bruker en skjøteleddning som er egnet for utendørs bruk, reduseres risikoen for elektrisk støt.
6. **Hvis du ikke kan unngå å bruke et elektroverktøy på et fuktig sted, bruker du strømforsyning som er beskyttet med jordfeilbryter.** Bruk av jordfeilbryter reduserer risikoen for elektrisk støt.

- b. Ikke bruk elektroverktøy med defekt strømbryter.** Et elektroverktøy som ikke kan kontrolleres med bryteren, er farlig og må repareres.
- c. Trekk støpselet ut av stikkontakten og/eller koble fra batteripakken på elektroverktøyet før du utfører innstillinger, skifter tilbehørsdeler eller legger elektroverktøyet bort.** Disse forebyggende sikkerhetstiltakene reduserer risikoen for utilsiktet start av elektroverktøyet.
- d. Elektroverktøy som ikke er i bruk, må oppbevares utilgjengelig for barn. Ikke la verktøyet brukes av personer som ikke er fortrolig med det, eller som ikke har lest denne bruksanvisningen.** Elektroverktøy er farlige når de brukes av uerfarne personer.
- e. Vær nøye med vedlikehold av elektroverktøy. Kontroller at bevegelige deler fungerer feilfritt og ikke klemmes fast, om deler er brukket eller skadet, og andre forhold som kan innvirke på elektroverktøyets funksjon. Hvis elektroverktøyet er skadet, må det repareres før bruk.** Dårlig vedlikeholdte elektroverktøy er årsaken til mange uhell.
- f. Hold skjæreverktøy skarpe og rene.** Godt vedlikeholdte skjæreverktøy med skarpe egger setter seg ikke så ofte fast og er lettere å føre.
- g. Bruk elektroverktøy, tilbehør, bits osv. i henhold til disse instruksjonene. Ta hensyn til arbeidsforholdene og arbeidet som skal utføres.** Bruk av elektroverktøy til andre formål enn det som er angitt, kan føre til farlige situasjoner.
- 5. Service**
- a. Elektroverktøy skal alltid repareres av kvalifisert personell og kun med originale reservedeler.** Dette sikrer at elektroverktøyets sikkerhet opprettholdes.

#### Ytterligere sikkerhetsadvarsler for elektroverktøy



Sikkerhetsadvarsler for hekksakser.

- ◆ **Hold alle deler av kroppen borte fra skjærebladet.** Du må ikke fjerne skåret materiale eller holde materiale som skal skjæres, når bladene beveger seg. Pass på at bryteren står på "av" når du fjerner materiale som sitter fast. Et øyeblikks uoppmerksomhet under bruk av hekksaksen kan føre til alvorlige personskader.
- ◆ **Bær hekksaksen i håndtaket med skjærebladet stanset. Ved transport eller oppbevaring av hekksaksen skal dekslet for skjæreenheten alltid være påmontert.** Ved riktig behandling av hekksaksen reduseres mulige personskader på grunn av skjærebladene.
- ◆ **Hold ledningen borte fra skjærområdet.** Under bruk kan ledningen være gjemt i busker og kan bli kuttet av bladet ved et uhell.
- ◆ Pass på å unngå harde gjenstander (blant annet metalltråd og gjerder) når du trimmer. Hvis du treffer slike gjenstander ved et uhell, slår du straks verktøyet av og ser etter eventuelle skader.
- ◆ Hold alltid verktøyet med begge hender i håndtakene som er beregnet for dette.
- ◆ Det er ikke meningen at dette verktøyet skal brukes av personer (inkludert barn) med reduserte fysiske, sansemessige eller mentale evner, eller som mangler erfaring og kunnskap, med mindre de har fått oppfølging eller instruksjon når det gjelder bruken av verktøyet, fra en person som er ansvarlig for deres sikkerhet. Barn skal være under oppsyn så det sikres at de ikke leker med verktøyet.
- ◆ Tiltent bruk er beskrevet i denne håndboken. Bruk av tilbehør eller utføring av oppgaver som ikke er anbefalt for verktøyet i denne håndboken, kan medføre fare for personskade og/eller skade på eiendom.
- ◆ Unngå utilsiktet start av elektroverktøyet. Ikke bær verktøyet med hånden på håndtaket foran eller på utløseren hvis ikke verktøyet er koblet fra eller batteriet er tatt ut. Sørg for at verktøyet er slått av når du setter i kontakten.
- ◆ Hvis du ikke har brukt en elektrisk hekksaks før, bør du få veiledning av en erfaren bruker i tillegg til å studere denne håndboken.
- ◆ Berør aldri bladene når verktøyet er i gang.
- ◆ Prøv aldri å stanse bladene med makt.
- ◆ Ikke sett verktøyet ned før bladene er stanset helt.
- ◆ Kontroller jevnlig om bladene er skadet eller slitt. Ikke bruk verktøyet når bladene er skadet.
- ◆ Hvis verktøyet begynner å vibrere unormalt, slår du det straks av og ser etter eventuelle skader.
- ◆ Hvis verktøyet kjører seg fast, slår du det av straks. Koble fra verktøyet, eller ta ut batteriet før du prøver å fjerne eventuelle hindringer.
- ◆ Etter bruk plasserer du bladbeskytteren som følger med, over bladene. Pass på at bladene er beskyttet når du oppbevarer verktøyet.
- ◆ Pass på at all beskyttelse er montert når du bruker verktøyet. Forsøk aldri å bruke et verktøy som ikke er komplett, eller som det er foretatt ikke godkjente endringer på.
- ◆ La aldri barn bruke verktøyet.
- ◆ Vær oppmerksom på rusk som faller ned, når du skjærer en høy hekk.

## Andre personers sikkerhet

- ◆ Det er ikke meningen at denne maskinen skal brukes av personer (inkludert barn) med reduserte fysiske, sansemessige eller mentale evner, eller som mangler erfaring og kunnskap, med mindre de har fått oppfølging eller instruksjon når det gjelder bruken av maskinen, fra en person som er ansvarlig for deres sikkerhet.
- ◆ Barn skal være under tilsyn så du er sikker på at de ikke leker med maskinen.

## Vibrasjon

Vibrasjonsemissionsverdien som er angitt under tekniske data og samsvarserklæring, er blitt målt i henhold til en standard testmetode som er angitt i EN 60745, og kan brukes til å sammenligne et verktøy med et annet. Den oppgitte vibrasjonsemissionsverdien kan også brukes til en foreløpig vurdering av eksponering.

**Advarsel!** Vibrasjonsemissionsverdien under faktisk bruk av elektroverktøyet kan avvike fra den oppgitte verdien avhengig av måten verktøyet blir brukt på. Vibrasjonsnivået kan øke over nivået som er oppgitt.

Når man vurderer vibrasjonseksponering for å bestemme sikkerhetstiltak som kreves i 2002/44/EF for å beskytte personer som bruker elektroverktøy regelmessig i arbeidet, skal man når man anslår vibrasjonseksponeringen, ta hensyn til de faktiske bruksforholdene og måten verktøyet blir brukt på, inkludert hensyn til alle deler av brukssyklusen – også de gangene verktøyet slås av og når det går på tomgang, i tillegg til tiden utløseren er inne.

## Merking på verktøy

Følgende symboler er vist på verktøyet:



**Advarsel!** Brukeren må lese håndboken for å redusere risikoen for skade.



Benytt vernebriller og hørselvern når du bruker dette verktøyet.



Benytt hanskene når du bruker dette verktøyet.



Ta umiddelbart ledningen ut av støpselet hvis den blir skadet eller kuttet av.



Hold verktøyet unna regn eller høy fuktighet.

## Elektrisk sikkerhet



Denne maskinen er dobbeltisolert. Jording er derfor ikke nødvendig. Kontroller at spenningen er i overensstemmelse med spenningen på typeskiltet.

- ◆ Hvis strømledningen blir skadet, må den skiftes av produsenten eller et autorisert Black & Decker-servicesenter så man unngår fare.
- ◆ Strømsikkerheten kan forbedres ytterligere ved bruk av jordfeilbryter på 30 mA med høy følsomhet (RCD).

## Bruke skjøteledning

Bruk alltid en godkjent skjøteledning som passer til strøminggangen for dette verktøyet (se tekniske data). Skjøteledningen må passe for utendørs bruk og skal være merket i samsvar med dette. Opptil 30 m 1,5 mm<sup>2</sup> HO5V V-F-skjøtekabel kan brukes uten tap av ytelse for produktet. Før bruk undersøkes skjøteledningen for tegn på skade, slitasje og aldring. Bytt skjøteledningen hvis den er skadet eller defekt. Når du bruker en kabelsnelle, må du alltid rulle ut kabelen helt.

## Funksjoner

1. Håndtak foran
2. Bryter på håndtak foran
3. Utløser
4. Blad
5. Bladbeskytter
6. Beskyttelse

Denne hekksaksen har følgende funksjoner som er gunstige for deg:

- ◆ Ergonomisk utformede håndtak for komfortabel skjæring.
- ◆ Blader som er behandlet for å gi forbedret skjæring.
- ◆ Blader med dobbelt virkning som gir redusert vibrasjon.

## Montering

**Advarsel!** Før montering må du sørge for at verktøyet er slått av og koblet fra, og at bladbeskytteren er plassert over bladene.

## Monter håndtaket (figur A)

- ◆ Skyv håndtaket (1) over bladene (4).
- ◆ Trykk håndtaket (1) inn i festet på undersiden av verktøyet.
- ◆ Fest håndtaket med de fire skruene (7) som følger med.

## Monter beskyttelsen (figur B)

- ◆ Plasser beskyttelsen (6) i sporene på verktøyet.
- ◆ Fest beskyttelsen (6) med de to skruene (8) som følger med.

**Advarsel!** Bruk aldri verktøyet uten beskyttelsen.

### Montere beskyttelsen for bladtuppen (figur C)

Det følger med en valgfri tuppbeskyttelse (10) som kan beskytte bladene (4) når du skjærer i nærheten av en hard overflate.

- ◆ Plasser tuppbeskyttelsen (10) overfor de to hullene ved enden av bladholderen.
- ◆ Fest tuppbeskyttelsen med de to skruene (9) som følger med.

### Koble verktøyet til strømmettet (figur D)

Hvis ikke verktøyet er utstyrt med en nettledning, må du koble en skjøteledning til strøminntaket.

- ◆ Koble hunnkontakten på en passende skjøteledning til strøminntaket på verktøyet.
- ◆ Før ledningen gjennom ledningsholderen (11) som vist for å hindre at skjøteledningen løsner under bruk.
- ◆ Sett støpselet i en stikkontakt.

**Advarsel!** Skjøteledningen må være godkjent for utendørs bruk. Når du bruker kabelsnelle, skal du alltid rulle ut ledningen helt.

### Andre risikoer

Ved bruk av verktøyet kan det oppstå ytterligere risikoer som kanskje ikke er inkludert i sikkerhetsadvarslene som følger med. Disse risikoene kan bli forårsaket av feil bruk, langvarig bruk osv.

Selv om de relevante sikkerhetsbestemmelsene blir fulgt, og sikkerhetstiltakene blir gjennomført, kan visse gjenværende risikoer ikke unngås. Disse omfatter:

- ◆ Personskader som forårsakes av berøring av en roterende/bevegelig del.
- ◆ Personskader som forårsakes av at en del, et blad eller tilbehør endres.
- ◆ Personskader som forårsakes av langvarig bruk av et verktøy. Når du bruker et verktøy i lange perioder, må du sørge for å ta regelmessige pauser.
- ◆ Svekket hørsel.
- ◆ Helsefarer som forårsakes av innånding av støv som dannes når du bruker verktøyet (eksempel: arbeid med tre, spesielt eik, bøk og MDF).

### Bruk

**Advarsel!** La verktøyet jobbe med sin egen hastighet. Ikke overbelast det.

- ◆ Kontroller omhyggelig at verktøyet og nettledningen ikke er skadet før du bruker verktøyet. Vær oppmerksom på beskyttelse, brytere og deler.
- ◆ Forsikre deg om at verktøyet fungerer riktig og utfører sin tiltenkte funksjon.
- ◆ Ikke bruk verktøyet hvis det er skadet eller defekt.
- ◆ Ikke bruk verktøyet med defekt strømbryter.

- ◆ Hvis elektroverktøyet blir skadet, må det repareres av en autorisert reparatør. Forsøk ikke å utføre noen reparasjoner selv.
- ◆ Før ledningen med varsomhet for å unngå å kutte den ved et uhell. En god måte å kontrollere ledningen på er å ha den over skulderen.
- ◆ Av hensyn til din sikkerhet er dette verktøyet utstyrt med et dobbelt brytersystem. Systemet hindrer at verktøyet blir startet ved et uhell og gjør det bare mulig å bruke det når du holder verktøyet med begge hender.

### Start og stopp

#### Slå på

Ta tak i håndtaket foran (1) med én hånd slik at bryteren (2) på håndtaket foran skyves inn i godset på verktøyet. Med den andre hånden klemmer du på utløseren (3) for å starte verktøyet.

#### Slå av

Slipp bryteren (2) på håndtaket foran eller utløseren (3).

**Advarsel!** Ikke prøv å låse en bryter i stillingen "på".

### Råd for optimal bruk

- ◆ Start med å trimme toppen av hekken. La verktøyet helle litt (opptil 15° i forhold til skjærelinjen), slik at bladspissene peker lett mot hekken (figur E). Da skjærer bladene mer effektivt. Hold verktøyet i ønsket vinkel, og beveg det bestemt langs skjærelinjen. Du kan skjære i begge retninger med det dobbeltsidede bladet.
- ◆ For å få et svært rett kutt strekker du en snor langs hekken i ønsket høyde. Bruk snoren til å styre etter, og skjær rett over den.
- ◆ Skjær oppover med veksten for å få flate sider. Yngre grener beveger seg utover når bladet skjærer nedover, og dette gir grunne flekker i hekken (figur F).
- ◆ Pass på å unngå fremmedlegemer. Spesielt harde ting som metalltråd og gjerder, da disse kan skade bladene.
- ◆ Smør bladene regelmessig.

### Retningslinjer for trimming (Storbritannia og Irland)

- ◆ Trim hekker og busker som feller løv (nytt løv hvert år) i juni og oktober.
- ◆ Trim eviggrønne vekster i april og august.
- ◆ Trim bartrær og andre busker som vokser raskt, hver sjetten uke fra mai til oktober.

### Retningslinjer for trimming (Australia og New Zealand)

- ◆ Trim hekker og busker som feller løv (nytt løv hvert år) i desember og mars.
- ◆ Trim eviggrønne vekster i september og februar.

- ◆ Trim bartrær og andre busker som vokser raskt, hver sjettede uke fra oktober til mars.

## Vedlikehold

Black & Decker-verktøyet ditt er konstruert for å være i drift over lengre tid med et minimum av vedlikehold. Det er avhengig av riktig stell og regelmessig rengjøring for å fungere som det skal til enhver tid.

**Advarsel!** Før vedlikehold må verktøyet slås av og støpselet trekkes ut.

- ◆ Rengjør bladene omhyggelig etter bruk Etter rengjøring påføres en film av lett maskinolje for å hindre at bladene ruster.
- ◆ Rengjør ventileringsåpningene på verktøyet regelmessig med en myk, tørr børste eller en tørr klut.
- ◆ Rengjør motorhuset regelmessig med en ren, fuktig klut. Ikke bruk slipende eller løsemiddelbaserte rengjøringsmidler.
- ◆ Sørg for at alle brytere er fri for rusk før og etter bruk.

## Ta av beskyttelsen (figur B)

**Advarsel!** Beskyttelsen skal bare fjernes ved vedlikehold. Sett alltid på beskyttelsen igjen etter vedlikeholdet.

- ◆ Ta ut skruene (8).
- ◆ Skyv beskyttelsen (6) av verktøyet.

## Problemløsning

Hvis produktet ikke virker riktig, kontrollerer du dette:

Feil	Mulig årsak	Tiltak
Verktøyet starter ikke	En sikring har gått	Bytt sikring
	Utløst jordfeilbryter	Kontroller jordfeilbryter
	Nettledningen er koblet fra	Kontroller strømtilførselen

## Tekniske data

	GT5026 TYPE 1	GT6025 TYPE 1	GT6026 TYPE 1	GT6030 TYPE 1	GT6530 TYPE 1	GT7026 TYPE 1	GT7030 TYPE 1
Spenning	V AC 230	230	230	230	230	230	230
Inn-effekt	W 600	600	650	650	350	700	700
Antall slag for bladet (uten belastning)	min-1 1400	1400	1400	1400	1400	1400	1400
Bladlengde	cm 50	60	60	60	65	70	70
Bladgap	mm 26	26	26	30	30	26	30
Bremsetid for bladet	s <1,0	<1,0	<1,0	<1,0	<1,0	<1,0	<1,0
Vekt (uten strømledning)	kg 4,9	4,9	4,9	4,9	4,9	4,9	4,9

## Miljø



Separat avfallshåndtering. Dette produktet må ikke kastes sammen med vanlig husholdningsavfall.

Når Black & Decker-produktet er utslitt, skal det ikke kastes som husholdningsavfall. Dette produktet må kastes separat.



Hvis brukte produkter og emballasje leveres atskilt, kan materialer resirkuleres og brukes på nytt. Resirkulering av brukte produkter gir redusert miljøforurensing og mindre behov for råmaterialer.

Det kan være lokale bestemmelser for egen innsamling av elektriske produkter fra husstander, på kommunale avfallsplasser eller hos forhandleren når du kjøper et nytt produkt.

Black & Decker tar i mot brukte Black & Decker-produkter for resirkulering. Du kan levere produktet til et autorisert serviceverksted.

For informasjon om nærmeste autoriserte serviceverksted, kontakt ditt lokale Black & Decker-kontor på den adressen som er angitt i bruksanvisningen. Det finnes også en liste over autoriserte Black & Decker-serviceverksteder og opplysninger om ettersalgsservice og kontakter på Internett: [www.2helpU.com](http://www.2helpU.com).

Totale vibrasjonsverdier (vektorsum fra tre retninger) bestemt i samsvar med EN 60745:

Vibrasjonsemissionsverdi ( $a_h$ ) 4.6 m/s<sup>2</sup>,  
usikkerhet (K) 1.5 m/s<sup>2</sup>

**EF-samsvarserklæring**  
 MASKINERIDIREKTIV  
 DIREKTIV FOR UTENDØRSSTØY



**GT5026, GT6025, GT6026, GT6030, GT6530,  
 GT7026, GT7030**

Black & Decker erklærer at disse produktene som er beskrevet under "Tekniske data", er i samsvar med: 98/37/EF (til 28. desember 2009)  
 2006/42/EF (fra 29. desember 2009)  
 EN60745-1, EN60745-2-15

2000/14/EC, hekksaks, vedlegg V,

Nivået for akustisk effekt er i samsvar med 2000/14/EF (artikkel 13, vedlegg III,  $L \leq 50$  cm):  
 $L_{WA}$  (målt lydeffekt) 97 db  
 usikkerhet (K) 3 dB(A)  
 $L_{WA}$  (garantert lydeffekt) 102 db  
 usikkerhet (K) 3 dB(A)

Disse produktene er også i samsvar med direktivet 2004/108/EF. Hvis du ønsker mer informasjon, kontakt Black & Decker på følgende adresse, eller se på baksiden av håndboken.

Undertegnede er ansvarlig for utarbeidelsen av den tekniske dokumentasjonen og gir denne erklæringen på vegne av Black & Decker.

Kevin Hewitt  
 Vice-President Global Engineering  
 Black & Decker Europe,  
 210 Bath Road, Slough  
 Berkshire, SL1 3YD  
 Storbritannia  
 24.11.2009

## Garanti

Black & Decker er trygg på kvaliteten til sine produkter og tilbyr en enestående garanti. Denne garantierklæringen kommer i tillegg til dine lovbestemte rettigheter, og er ikke i konflikt med disse. Garantien er gyldig i EU- og EFTA-medlemsstatene.

Hvis et Black & Decker-produkt går i stykker på grunn av material- og/eller fabrikkasjonsfeil eller har mangler i forhold til spesifikasjonene, innen 24 måneder fra kjøpet, påtar Black & Decker seg å skifte ut defekte deler, reparere produkter som har vært utsatt for alminnelig slitasje, eller bytte ut slike produkter med minst mulig vanskelighet for kunden, med mindre:

- ◆ Produktet har vært brukt i yrkes-/næringsvirksomhet eller til utleie.
- ◆ Produktet har vært utsatt for feilaktig bruk eller mislighold.
- ◆ Produktet har blitt skadet av fremmede gjenstander eller stoffer eller ved et uhell.
- ◆ Reparasjoner er forsøkt utført av andre enn autoriserte serviceverksteder eller Black & Deckers serviceteknikere.

For å ta garantien i bruk skal produktet og kjøpekvitteing leveres til forhandleren eller til et autorisert serviceverksted. For informasjon om nærmeste autoriserte serviceverksted, kontakt ditt lokale Black & Decker-kontor på den adressen som er angitt i bruksanvisningen. En oversikt over autoriserte serviceverksteder og opplysninger om ettersalgsservice og kontakter er også tilgjengelig på Internett: [www.2helpU.com](http://www.2helpU.com).

Besøk vårt webområde [www.blackanddecker.no](http://www.blackanddecker.no) for å registrere ditt nye Black & Decker-produkt og for å holde deg oppdatert om nye produkter og spesialtilbud. Du finner mer informasjon om Black & Decker og produktutvalget vårt på [www.blackanddecker.no](http://www.blackanddecker.no).

## Anvendelsesområde

Din Black & Decker hækklipper er designet til at klippe hække og buske. Værktøjet er kun beregnet til privat brug.

## Sikkerhedsvejledninger

### Generelle sikkerhedsadvarsler for elværktøj



**Advarsel!! Læs alle sikkerhedsadvarsler og instruktioner.** Hvis ikke alle instruktioner følges, kan der opstå risiko for elektrisk stød, brand og/eller alvorlige personskader.

### Gem alle advarsler og instruktioner til senere brug.

Begrebet "elværktøj", der benyttes i nedenstående advarsler, henviser til netdrevne (med netledning) eller batteridrevne (uden netledning) maskiner.

1. **Sikkerhed i arbejdsområdet**
  - a. **Sørg for, at arbejdsområdet er rent og ordentligt oplyst.** Uordentlige og uoplyste arbejdsområder øger risikoen for uheld.
  - b. **Brug ikke elværktøj i eksplosive omgivelser, f.eks. hvor der er brændbare væsker, gasser eller støv.** Elværktøj kan forårsage gnister, der kan antænde støv eller dampe.
  - c. **Hold børn og andre personer på afstand, når elværktøjet er i brug.** Hvis man distraheres, kan man miste kontrollen over maskinen.
2. **Elektricitet og sikkerhed**
  - a. **Elværktøjsstik skal passe til stikkontakten.** Stikket må under ingen omstændigheder ændres. Brug ikke adapterstik sammen med jordforbundet elværktøj. Uændrede stik, der passer til stikkontakterne, nedsætter risikoen for elektrisk stød.
  - b. **Undgå kropskontakt med jordforbundne overflader som f.eks. rør, radiatorer, komfurer og køleskabe.** Hvis din krop er jordforbundet, øges risikoen for elektrisk stød.
  - c. **Elværktøj må ikke udsættes for regn eller fugt.** Indtrængen af vand i elværktøj øger risikoen for elektrisk stød.
  - d. **Undgå at ødelægge ledningen.** Undgå at bære, trække eller afbryde elværktøjet ved at rykke i ledningen. Beskyt ledningen mod varme, olie, skarpe kanter eller maskindele, der er i bevægelse. Beskadede eller indviklede ledninger øger risikoen for elektrisk stød.
  - e. **Hvis elværktøj benyttes i det fri, skal der benyttes en forlængerledning, som er godkendt til udendørs brug.** Brug af en forlængerledning til udendørs brug nedsætter risikoen for elektrisk stød.
- f. **Brug en strømkilde med fejlstrømsbeskyttelse, hvis det er nødvendigt at anvende elværktøj på fugtige steder.** Med en fejlstrømsbeskyttelse reduceres risikoen for elektrisk stød.
3. **Personlig sikkerhed**
  - a. **Vær opmærksom, hold øje med, hvad du laver, og brug elværktøjet fornuftigt.** Brug ikke maskinen, hvis du er træt, har indtaget alkohol eller er påvirket af medicin eller euforiserende stoffer. Få sekundær uopmærksomhed ved brug af elværktøjet kan føre til alvorlige personskader.
  - b. **Brug personlige værnemidler. Brug altid beskyttelsesbriller.** Brug af værnemidler som f.eks. støvmasker, skridsikert fodtøj, beskyttelsehjelm eller høreværn nedsætter risikoen for personskader, hvis udstyret anvendes korrekt.
  - c. **Sørg for, at værktøjet ikke kan starte utilsigtet.** Kontroller, at startknappen ikke er aktiveret, inden apparatet tilsluttes strømkilden og/eller batteriet, samles op eller bæres. I Bæres elværktøj, mens fingeren er på kontakten, eller tilsluttes det, mens kontakten står på tændt, kan der nemt ske en ulykke.
  - d. **Fjern indstillingsværktøj eller skruenøgle, inden elværktøjet tændes.** Et værktøj eller en nøgle, der efterlades i en roterende del i elværktøjet, kan resultere i personskader.
  - e. **Stræk dig ikke for langt. Sørg for, at du altid har sikkert fodfæste og balance.** Det gør det nemmere at kontrollere elværktøjet, hvis der skulle opstå uventede situationer.
  - f. **Brug egnet arbejdstøj.** Undgå løse beklædningsgenstande eller smykker. Hold hår, tøj og handsker væk fra dele, der bevæger sig. Bevægelige dele kan gribe fat i løstsiddende tøj, smykker eller langt hår.
  - g. **Hvis støvudsugnings- og opsamlingsudstyr kan monteres, er det vigtigt, at dette tilsluttes og benyttes korrekt.** Brug af dette udstyr nedsætter risikoen for skader forårsaget af støv.
4. **Brug og vedligeholdelse af elværktøj**
  - a. **Undgå at overbelaste elværktøjet.** Brug altid det rette elværktøj til opgaven. Med det rigtige elværktøj udføres arbejdet lettere og sikrere og i det tempo, som værktøjet er beregnet til.
  - b. **Brug ikke elværktøjet, hvis startknappen er defekt.** Elværktøj, der ikke kan reguleres med startknappen, er farligt og skal repareres.
  - c. **Træk stikket ud af stikkontakten og/eller batteriet inden indstilling, tilbehørsudskiftning eller opbevaring af elværktøjet.** Disse sikkerhedsforanstaltninger reducerer risikoen for utilsigtet start af værktøjet.



- d. **Opbevar ubenyttet elværktøj uden for børns rækkevidde. Lad aldrig personer, der ikke er fortrolige med elværktøj, eller som ikke har gennemlæst denne vejledning, benytte maskinen.** Elværktøj er farligt, hvis det benyttes af ukyndige personer.
- e. **Elværktøj bør vedligeholdes omhyggeligt. Kontroller, om bevægelige dele er skæve eller sidder fast, og om delene er brækkede eller beskadigede, så elværktøjets funktion påvirkes. Få beskadigede dele repareret, inden elværktøjet tages i brug.** Mange uheld skyldes dårligt vedligeholdt elværktøj.
- f. **Sørg for, at skæreværktøjer er skarpe og rene.** Omhyggeligt vedligeholdt skæreværktøjer med skarpe skærekanter sætter sig ikke så hurtigt fast og er nemmere at styre.
- g. **Brug elværktøjet, tilbehør, indsatsværktøj osv. i overensstemmelse med denne vejledning under hensyntagen til arbejdsforholdene og det arbejde, der skal udføres med værktøjet.** I tilfælde af anvendelse af elværktøjet til formål, som ligger uden for det fastsatte anvendelsesområde, kan der opstå farlige situationer.
5. **Service**
- a. **Elværktøjet må kun repareres af kvalificerede fagfolk, og der må kun benyttes originale reservedele.** Dermed opretholdes elværktøjets sikkerhed.

#### Yderligere sikkerhedsadvarsler for elværktøj



Sikkerhedsadvarsler for hækklipperen.

- ◆ **Hold alle kropsdele borte fra skærebladet. Fjern ikke afklippet materiale, og hold ikke i det materiale, der skal klippes af, mens skærebladene bevæger sig. Kontroller, at der er slukket på afbryderen, når du fjerner fastkørt materiale.** Få sekunders uopmærksomhed ved brug af hækklipperen kan føre til alvorlige personskader.
- ◆ **Bær hækklipperen i håndtaget, når skærebladet er stoppet. Monter altid skærebladets afdækning ved transport eller opbevaring af hækklipperen.** Korrekt håndtering af hækklipperen reducerer risikoen for personskade forårsaget af skærebladene.
- ◆ **Hold kablet væk fra klippeområdet.** Under brug af hækklipperen kan kablet være skjult i buske og kan klippes over af skærebladet ved et uheld.
- ◆ Pas på, at du ikke rammer hårde genstande (f.eks. metaltråde, stakitter) under klipningen. Hvis du ved et uheld rammer en sådan genstand, skal du omgående slukke værktøjet og kontrollere det for beskadigelse.
- ◆ Hold altid værktøjet med begge hænder i håndtagene.
- ◆ Dette værktøj er ikke beregnet til at blive brugt af personer (herunder børn) med nedsatte fysiske, sensoriske eller mentale evner eller manglende erfaring og viden, medmindre det sker under overvågning, eller der gives instruktion i brugen af værktøjet af en person, der er ansvarlig for deres sikkerhed. Børn skal holdes under opsyn, så det sikres, at de ikke leger med værktøjet.
- ◆ Apparatets påtænkte anvendelse fremgår af vejledningen. Brugen af ekstraudstyr eller tilbehør eller udførelse af opgaver med værktøjet ud over de i brugervejledningen anbefalede kan medføre risiko for personskade og/eller materiel skade.
- ◆ Sørg for, at værktøjet ikke kan starte utilsigtet. Bær ikke værktøjet med hånden eller en finger på det forreste håndtag eller startkontakten, medmindre ledningen er taget ud, eller batteriet er fjernet. Kontroller, at værktøjet er slukket, når ledningen sættes i.
- ◆ Hvis du ikke har brugt en hækklipper før, skal du om muligt søge praktisk vejledning hos en erfaren bruger ud over at læse denne vejledning.
- ◆ Rør aldrig skærebladene, mens værktøjet kører.
- ◆ Forsøg aldrig at tvinge skærebladene til at stoppe.
- ◆ Sæt ikke værktøjet fra dig, før skærebladene står helt stille.
- ◆ Kontroller regelmæssigt skærebladene for beskadigelse og slid. Brug ikke værktøjet, hvis skærebladene er beskadigede.
- ◆ Hvis værktøjet begynder at vibrere unormalt, skal du omgående slukke det og kontrollere det for beskadigelse.
- ◆ Sluk omgående værktøjet, hvis det går i stå. Tag ledningen ud af stikkontakten, eller fjern batteriet, før du forsøger at fjerne blokeringer.
- ◆ Sæt den medfølgende kappe på skærebladene efter brug. Værktøjet må ikke opbevares med utildækket skæreblad.
- ◆ Kontroller altid, at alle afskærmninger er monteret, når du bruger værktøjet. Forsøg aldrig at bruge et værktøj, der ikke er komplet eller med uautoriserede ændringer.
- ◆ Lad aldrig børn bruge værktøjet.
- ◆ Vær opmærksom på nedfaldende afklip ved klipning af høje hække.

## Andres sikkerhed

- ◆ Dette apparat må ikke bruges af personer (herunder børn) med nedsatte fysiske, sensoriske eller mentale evner eller manglende erfaring og viden, med mindre det sker under overvågning, eller de vejledes i brugen af apparatet af en person, der er ansvarlig for deres sikkerhed.
- ◆ Børn skal holdes under opsyn, så det sikres, at de ikke leger med værktøjet.

## Vibration

De angivne værdier for udsendelse af vibration anført under de tekniske data og overensstemmelseserklæringen er målt i henhold til standardtestmetoden i EN 60745 og kan bruges til at sammenligne ét værktøj med et andet. Den angivne værdi for vibration kan også bruges som en foreløbig vurdering af eksponeringen.

**Advarsel!** Værdien for vibration ved faktisk brug af elværktøjet kan afvige fra den angivne værdi afhængig af måden, værktøjet anvendes på. Vibrationsniveauet kan overstige det angivne niveau.

I vurderingen af eksponeringen for vibration med henblik på fastsættelse af sikkerhedsforanstaltninger som krævet i 2002/44/EF til beskyttelse af personer, der jævnligt anvender elværktøj i deres arbejde, skal der tages hensyn til de faktiske betingelser under anvendelsen og den måde, værktøjet bruges på, herunder alle arbejds cyklussens elementer, f.eks. perioder, hvor værktøjet er slukket og kører i tomgang tillige med startperioderne.

## Mærkater på værktøj

Følgende symboler er anbragt på værktøjet:



**Advarsel!** Brugeren skal læse brugervejledningen for at reducere risikoen for skader.



Bær beskyttelses- eller sikkerhedsbriller og høreværn, når du bruger dette værktøj.



Bær handsker, når du bruger dette værktøj.



Træk straks ledningen ud af stikkontakten, hvis ledningen beskadiges, eller der klippes i den.



Udsæt ikke værktøjet for regn eller høj luftfugtighed.

## Electricitet og sikkerhed



Denne maskine er dobbelt isoleret. Derfor er jordledning ikke nødvendig. Kontroller altid, at strømforsyningen svarer til spændingen på typeskiltet.

- ◆ Hvis netledningen beskadiges, skal den udskiftes af producenten eller et autoriseret Black & Decker-værksted, så farlige situationer undgås.
- ◆ Den elektriske sikkerhed kan forbedres yderligere ved brug af en højfølsom 30 mA fejlstrømsafbryder.

## Brug af en forlængerledning

Brug altid en godkendt forlængerledning, der er egnet til dette værktøjs indgangseffekt (se de tekniske data). Forlængerledningen skal være egnet til udendørs brug og mærket i overensstemmelse hermed. Der kan bruges en HO5V V-F-forlængerledning på op til 30 m med et tværsnit på 1,5 mm<sup>2</sup>, uden at produktets ydeevne forringes. Før brug skal forlængerledningen inspiceres for tegn på beskadigelse, slid og ældning. Udskift forlængerledningen, hvis den er beskadiget eller defekt. Rul ledningen helt ud, hvis der anvendes en kabeltromle.

## Funktioner

1. Forreste håndtag
2. Kontakt på forreste håndtag
3. Startknap
4. Skæreblad
5. Skærebladskappe
6. Afskærmning

Denne hækklipper har følgende fordelagtige egenskaber:

- ◆ Ergonomisk udformede håndtag, der gør hækklipningen komfortabel.
- ◆ Bearbejdede skæreblade, der forbedrer klipningen.
- ◆ Dobbeltvirkende skæreblade, der reducerer vibration.

## Montering

**Advarsel!** Kontroller, at værktøjet er slukket, stikket taget ud og at skærebladskappen er monteret over skærebladene før samling.

### Montering af håndtaget (fig. A)

- ◆ Skub håndtaget (1) over skærebladene (4).
- ◆ Tryk håndtaget (1) på plads i bunden af værktøjet.
- ◆ Fastgør håndtaget med de 4 medfølgende skruer (7).

### Montering af afskærmningen (fig. B)

- ◆ Sæt afskærmningen (6) ind i rillerne på værktøjet.
- ◆ Fastgør afskærmningen (6) med de to medfølgende skruer (8).

**Advarsel!** Brug aldrig værktøjet uden monteret afskærmning.

### Montering af skærebladsspidsens beskyttelse (fig. C)

Der medfølger en beskyttelse til skærebladets spids (10), som efter ønske kan monteres i enden af skærebladene (4) ved klipning i nærheden af hårde overflader.

- ◆ Sæt spidsbeskyttelsen (10) ud for de 2 huller i enden af skæreblassstøtten.
- ◆ Fastgør spidsbeskyttelsen med de to medfølgende skruer (9).

### Tilslutning af værktøjet til ledningsnettet (fig. D)

Medmindre værktøjet er udstyret med en ledning til ledningsnettet, skal du slutte en forlængerledning til strømindsangen.

- ◆ Sæt hunstikket på en egnet forlængerledning i værktøjets strømindsang.
- ◆ Før ledningen gennem ledningsholderen (11) som vist, for at forhindre at forlængerledningen rykkes ud under brug.
- ◆ Sæt stikket i stikkontakten.

**Advarsel!** Forlængerkablet skal være egnet til udendørs brug. Rul ledningen helt ud, hvis der anvendes kabeltromle.

### Restrisici

Der kan opstå yderligere restrisici under brugen af værktøjet, som ikke kan medtages i vedlagte sikkerhedsadvarsler. Disse risici kan opstå pga. forkert anvendelse, langvarig brug etc.

Selv ved overholdelse af relevante sikkerhedsforskrifter og anvendelse af sikkerhedsudstyr kan visse restrisici ikke undgås. Disse omfatter:

- ◆ Tilskadekomst forårsaget af berøring af roterende/bevægelige dele.
- ◆ Tilskadekomst forårsaget af udskiftning af dele, blade eller tilbehør.
- ◆ Tilskadekomst forårsaget af langvarig brug af et værktøj. Husk at holde pause jævnlige ved brug af et værktøj i længere tid.
- ◆ Høreskader.
- ◆ Sundhedsrisici forårsaget af indånding af støv, der genereres ved brug af værktøjet (eksempel: Arbejde med træ, især, eg, bøg og MDF).

### Anvendelse

**Advarsel!** Lad værktøjet arbejde i dets eget tempo.

Det må ikke overbelastes.

- ◆ Kontroller omhyggeligt værktøjet og ledningen for beskadigelse før brug. Vær opmærksom på afskærmninger, kontakter og dele.
- ◆ Kontroller, at værktøjet fungerer korrekt og udfører den tilsigtede funktion.
- ◆ Brug ikke værktøjet, hvis nogen del af det er beskadiget eller defekt.
- ◆ Brug ikke værktøjet, hvis afbryderen er defekt.
- ◆ Hvis værktøjet er beskadiget, skal det repareres af et autoriseret serviceværksted. Forsøg aldrig selv at udføre reparationer.

- ◆ Styr omhyggeligt ledningen, så du ikke klipper den over ved et uheld. En god måde at styre ledningen på er at lægge den over skulderen.
- ◆ Værktøjet er af hensyn til din sikkerhed udstyret med et dobbelt afbrydersystem. Dette system forhindrer utilsigtet start af værktøjet, og det fungerer kun, hvis det holdes med begge hænder.

### Start og stop

#### Start

Tag fat i det forreste håndtag (1) med den ene hånd, så kontakten (2) på det forreste håndtag trykkes ind i værktøjet. Tryk på startknappen (3) med den anden hånd for at starte værktøjet.

#### Stop

Slip kontakten (2) på forreste håndtag eller startknappen (3).

**Advarsel!** Forsøg aldrig at fastlåse en kontakt i tændt position.

### Gode råd til optimal brug

- ◆ Start med at klippe toppen af hækken. Vip værktøjet en smule (op til 15° i forhold til klippelinjen), så bladets spids peger en smule mod hækken (fig. E). På den måde klipper skærebladene mere effektivt. Hold værktøjet i den ønskede vinkel, og bevæg det roligt langs klippelinjen. Det dobbeltsidede skæreblad gør det muligt at klippe i begge retninger.
- ◆ For at opnå en meget lige klipning kan du sætte en snor langs hækken i den ønskede højde. Brug snoren som retningslinje, og klip lige over den.
- ◆ For at få flade sider skal du klippe opad i vækstretningen. Unge stammer vokser udad, når skærebladet klipper nedad, hvilket giver hulinger i hækken (fig. F).
- ◆ Undgå eventuelle fremmedlegemer, især hårde genstanden som f.eks. metaltråd og stakitter, da disse kan beskadige skærebladene.
- ◆ Smør jævnlige skærebladene.

### Retningslinjer for klipning (Storbritannien og Irland)

- ◆ Klip løvfældende hække og buske (nye blade hvert år) i juni og oktober.
- ◆ Klip stedsegrønne vækster i april og august.
- ◆ Klip nåletræer og andre hurtigtvoksende buske hver sjette uge fra maj til oktober.

### Retningslinjer for klipning (Australien og New Zealand)

- ◆ Klip løvfældende hække og buske (nye blade hvert år) i december og marts.
- ◆ Klip stedsegrønne vækster i september og februar.

- ◆ Klip nåletræer og andre hurtigtvoksende buske hver sjette uge fra oktober til marts.

## Vedligeholdelse

Dit Black & Decker-værktøj er beregnet til at være i drift gennem en længere periode med minimal vedligeholdelse. Forsat tilfredsstillende drift afhænger af korrekt behandling af værktøjet samt regelmæssig rengøring.

**Advarsel!** Før der udføres vedligeholdelse, skal værktøjet slukkes, og stikket trækkes ud.

- ◆ Rengør skærebladene omhyggeligt efter brug. Påfør en tynd film maskinolie efter rengøring, så skærebladene ikke ruste.
- ◆ Rengør regelmæssigt værktøjets ventilationshuller med en blød børste eller en tør klud.
- ◆ Rengør regelmæssigt motorhuset med en fugtig klud. Der må ikke bruges skuremidler eller opløsningsmidler.
- ◆ Kontroller før og efter brug, at kontakterne er fri for snavs.

## Afmontering af afskærmningen (fig. B)

**Advarsel!** Fjern kun afskærmningen med henblik på servicering. Monter altid afskærmningen igen efter servicering.

- ◆ Fjern skruerne (8).
- ◆ Skub afskærmningen (6) af værktøjet.

## Fejlfinding

Kontroller følgende, hvis værktøjet ikke fungerer:

Fejl	Mulig årsag	Handling
Værktøjet vil ikke starte	En sikring er gået	Udskift sikringen
	Fejlstrømsbeskyttelsen har slået fra	Kontroller fejlstrømsbeskyttelsen
	Ledningen er faldet ud	Kontroller strømforsyningen.

## Tekniske data

	GT5026 TYPE 1	GT6025 TYPE 1	GT6026 TYPE 1	GT6030 TYPE 1	GT6530 TYPE 1	GT7026 TYPE 1	GT7030 TYPE 1
Spænding	VAC 230	230	230	230	230	230	230
Motoreffekt	W 600	600	650	650	350	700	700
Antal skærebladsslæg (uden belastning)	min-1 1400	1400	1400	1400	1400	1400	1400
Knivlængde	cm 50	60	60	60	65	70	70
Skærebladsafstand	mm 26	26	26	30	30	26	30
Skærebladsbremsetid	<1.0	<1.0	<1.0	<1.0	<1.0	<1.0	<1.0
Vægt (uden ledning)	kg 4.9	4.9	4.9	4.9	4.9	4.9	4.9

## Miljø



Separat bortskaffelse. Dette produkt må ikke bortskaffes sammen med almindeligt husholdningsaffald.

Når dit Black & Decker-produkt en dag er udtjent, eller du ikke længere har brug for det, må du ikke smide det ud sammen med det almindelige affald. Produktet skal bortskaffes separat.



Ved separat bortskaffelse af brugte produkter og emballage bliver der mulighed for at genanvende forskellige materialer. Genanvendelse af materialer medvirker til at forebygge miljøforurening og mindsker behovet for råstoffer.

Lokal lovgivning kan kræve separat indsamling af elektriske husholdningsapparater på kommunale affaldsdepoter eller af den detailhandlende ved køb af et nyt produkt.

Black & Decker sørger for at indsamle og genanvende Black & Decker-produkter, når disse ikke længere kan bruges. Hvis du vil benytte dig af denne service, skal du returnere produktet til et autoriseret værksted, der indsamler produkterne for os.

Kontakt det lokale Black & Decker-kontor på den adresse, der er angivet i denne vejledning, for at få oplysninger om det nærmeste autoriserede værksted. En liste over alle autoriserede Black & Decker-serviceværksteder samt servicevilkår og kontaktpersoner er tilgængelig på internettet på adressen: [www.2helpU.com](http://www.2helpU.com).

Samlede værdier for vibration (triaksial vektorsum) i henhold til EN 60745:

Værdi for udsendelse af vibration ( $a_{hv}$ ) 4.6 m/s<sup>2</sup>, usikkerhed (K) 1.5 m/s<sup>2</sup>

**EF-overensstemmelseserklæring**

MASKINDIREKTIV  
DIREKTIV FOR STØJ UDEN DØRE



**GT5026, GT6025, GT6026, GT6030, GT6530,  
GT7026, GT7030**

Black & Decker erklærer, at produkterne beskrevet under "Tekniske data" er i overensstemmelse med: 98/37/EF (frem til 28. december 2009), 2006/42/EF (efter 29. december 2009), EN60745-1, EN60745-2-15

2000/14/EC, hækklipper, Annex V,

Lydintensitetsniveau i henhold til 2000/14/EF (artikel 13, Annex III,  $L \leq 50$ cm):

$L_{WA}$  (målt lydeffekt) 97 db  
usikkerhed (K) 3 dB(A)

$L_{WA}$  (garanteret lydeffekt) 102 db  
usikkerhed (K) 3 dB(A)

Dette produkt er endvidere i overensstemmelse med direktiv 2004/108/EF. Kontakt Black & Decker på nedenstående adresse, eller se vejledningens bagside for at få flere oplysninger.

Undertegnede er ansvarlig for udarbejdelsen af de tekniske data og fremsætter denne erklæring på vegne af Black & Decker.

Kevin Hewitt  
Vice-President Global Engineering  
Black & Decker Europe,  
210 Bath Road, Slough,  
Berkshire, SL1 3YD  
Storbritannien  
24-11-2009

**Garanti**

Black & Decker garanterer, at produktet er fri for materielle skader og/eller fabriktionsfejl ved levering til kunden. Garantien er et tillæg til forbrugers lovsikrede rettigheder og påvirker ikke disse. Garantien gælder inden for medlemsstaterne af Den Europæiske Union og i Det Europæiske Frihandelsområde.

Hvis et Black & Decker-produkt går i stykker på grund af materiel skade og/eller fabriktionsfejl eller på anden måde ikke fungerer i overensstemmelse med specifikationen inden for 24 måneder fra købsdatoen, påtager Black & Decker sig at reparere eller ombytte produktet med mindst mulig ulempe for kunden. Garantien gælder ikke for fejl og mangler, der er sket i forbindelse med:

- ◆ Produktet har været anvendt erhvervsmæssigt eller til udlejning.
- ◆ Produktet har været anvendt forkert eller er ikke vedligeholdt.
- ◆ Produktet er beskadiget af fremmedlegemer, substanser eller pga. uheld.
- ◆ Garantien gælder ikke, hvis reparationer er udført af andre end et autoriseret Black & Decker-værksted.

For at udnytte garantien skal produktet og købskvitteringen indleveres til forhandleren eller til et autoriseret værksted. Kontakt det lokale Black & Decker-kontor på den adresse, der er angivet i denne vejledning, for at få oplysninger om det nærmeste autoriserede værksted. En liste over alle autoriserede Black & Decker-serviceværksteder samt servicevilkår er tilgængelig på internettet på adressen:

**[www.2helpU.com](http://www.2helpU.com)**.

Gå venligst ind på vores website **[www.blackanddecker.dk](http://www.blackanddecker.dk)** for at registrere dit nye produkt og for at blive holdt ajour om nye produkter og specialtilbud. Der findes yderligere oplysninger om mærket Black & Decker og vores produktsortiment på adressen **[www.blackanddecker.dk](http://www.blackanddecker.dk)**.

## Käyttötarkoitus

Black & Decker -pensasleikkuri on tarkoitettu pensaiden leikkaamiseen. Kone on tarkoitettu ainoastaan kotikäyttöön.

## Turvallisuusohjeet

### Sähkötyökalujen yleiset turvavaroitukset



**Varoitus! Lue kaikki turvavaroitukset ja ohjeet.**

Ohjeiden noudattamisen laiminlyönti saattaa johtaa sähköiskuun, tulipaloon ja/tai vakavaan loukkaantumiseen.

### Säästä kaikki varoitukset ja ohjeet tulevaa käyttöä varten.

Ohjeissa käytetty käsite "sähkötyökalu" tarkoittaa verkkokäyttöisiä sähkötyökaluja (verkkojohdolla) ja akkukäyttöisiä sähkötyökaluja (ilman verkkojohdotta).

1. Työalueen turvallisuus
  - a. **Pidä työalue puhtaana ja hyvin valaistuna.**  
Työpaikan epäjärjestys ja valaisemattomat työalueet voivat johtaa tapaturmiin.
  - b. **Älä käytä sähkötyökalua räjähdyksalttiissa ympäristössä, jossa on palavaa nestettä, kaasua tai pölyä.** Sähkötyökalu muodostaa kipinöitä, jotka saattavat sytyttää pölyn tai höyryt.
  - c. **Pidä lapset ja sivulliset loitolla sähkötyökalua käyttäessäsi.** Voit menettää laitteen hallinnan, jos huomiosi suuntautuu muualle.
2. Sähköturvallisuus
  - a. **Sähkötyökalun pistokkeen tulee sopia pistorasiaan.** Pistoketta ei saa muuttaa millään tavalla. Älä käytä mitään pistorasiasovittimia maadoitettujen sähkötyökalujen kanssa. Alkuperäiset pistokkeet ja niille sopivat pistorasiat vähentävät sähköiskun vaaraa.
  - b. **Vältä koskettamasta maadoitettuja pintoja, kuten putkia, pattereita, liesiä tai jääkaappeja.** Sähköiskun vaara kasvaa, jos kehosi on maadoitettu.
  - c. **Älä altista sähkötyökalua sateelle tai kosteudelle.** Veden tunkeutuminen sähkötyökalun sisään lisää sähköiskun riskiä.
  - d. **Älä käsittele virtajohtoa kovakouraisesti.** Älä käytä sitä sähkötyökalun kantamiseen, vetämiseen tai pistokkeen irrottamiseen pistorasiasta. Pidä johto loitolla kuumuudesta, öljystä, terävistä reunoista ja liikkuvista osista. Vahingoittuneet tai sotkeutuneet johdot lisäävät sähköiskun vaaraa.
  - e. **Käyttäessäsi sähkötyökalua ulkona käytä ainoastaan ulkikäyttöön soveltuvaa jatkojohtoa.** Ulkikäyttöön soveltuvan jatkojohdon käyttö pienentää sähköiskun vaaraa.
- f. **Jos sähkötyökalua on välttämättä käytettävä kosteassa paikassa, käytä jäännösvirtalaitteella (RCD) suojattua virtalähdettä.** Jäännösvirtalaitteen käyttö vähentää sähköiskun vaaraa.
3. Henkilöturvallisuus
  - a. **Keskity työskentelyysi ja noudata tervettä järkeä käyttäessäsi sähkötyökaluja. Älä käytä sähkötyökalua, jos olet väsynyt tai huumeiden, alkoholin tai lääkkeiden vaikutuksen alaisena.** Hetken tarkkaamattomuus sähkötyökalua käytettäessä saattaa johtaa vakavaan loukkaantumiseen.
  - b. **Käytä henkilökohtaisia suojavarusteita. Käytä aina suojalaseja.** Suojavarusteet, kuten hengityssuojain, luistamattomat turvajalkineet, kypärä ja kuulosuojaimet, pienentävät loukkaantumisriskiä, jos niitä käytetään tilanteen mukaan oikein.
  - c. **Vältä tahatonta käynnistämistä. Varmista, että kytkin on off-asennossa, ennen kuin liität laitteen virtalähteeseen ja/tai akkuun, nostat laitteen tai kannat sitä.** Onnettomuusvaara lisääntyy, jos kannat sähkötyökalua sormi käyttökytkimellä tai kytket työkalun virtajohtoon pistorasiaan, kun käyttökytkin on päällä.
  - d. **Irrota mahdollinen säätö- tai kiintoavain, ennen kuin käynnistät sähkötyökalun.** Sähkötyökalun pyöriivään osaan kiinni jäänyt avain voi johtaa loukkaantumiseen.
  - e. **Älä kurkotta liian kauas. Seiso aina tukevasti ja tasapainossa.** Tällöin voit paremmin hallita sähkötyökalua yllättävissä tilanteissa.
  - f. **Käytä tarkoitukseen soveltuvia vaatteita. Älä käytä löysiä työvaatteita tai koruja. Pidä hiukset, vaatteet ja käsinneet loitolla liikkuvista osista.** Väljät vaatteet, korut ja pitkät hiukset voivat takertua liikkuviin osiin.
  - g. **Jos työkalun voi liittää polynimuriin, tarkista, että liitos on tehty asianmukaisesti ja että sitä käytetään oikealla tavalla.** Tällaisen laitteen käyttö vähentää pölyn aiheuttamia vaaroja.
4. Sähkötyökalujen käyttö ja hoito
  - a. **Älä ylikuormita laitetta. Käytä kyseiseen työhön tarkoitettua sähkötyökalua.** Sopivaa sähkötyökalua käyttäen työskentelet paremmin ja turvallisemmin tehoalueella, jolle sähkötyökalu on tarkoitettu.
  - b. **Älä käytä sähkötyökalua, jota ei voida käynnistää ja pysäyttää virtakytkimestä.** Jos sähkötyökalua ei voi käynnistää ja pysäyttää virtakytkimellä, se on vaarallinen ja se täytyy korjata.
  - c. **Irrota pistotulppa pistorasiasta ja/tai akku laitteesta, ennen kuin suoritat säätöjä, vaihdat tarvikkeita tai siirrä sähkötyökalun varastoitavaksi.** Nämä turvatoimenpiteet pienentävät sähkötyökalun tahattoman käynnistämisen riskiä.

- d. Säilytä sähkötyökalut poissa lasten ulottuvilta, kun niitä ei käytetä. Älä anna sähkötyökalua sellaisen henkilön käyttöön, joka ei tunne sitä tai joka ei ole tutustunut tähän käyttöohjeeseen. Sähkötyökalut ovat vaarallisia kokemattoman käyttäjän käsissä.
- e. Hoida sähkötyökalusi huolella. Tarkista, että liikkuvat osat toimivat moitteettomasti ja etteivät ne ole puristuksessa. Tarkista myös, että työkalussa ei ole murtuneita tai vahingoittuneita osia, jotka saattaisivat vaikuttaa haitallisesti sen toimintaan. Korjauta mahdolliset viat ennen käyttöönottoa. Moni tapaturma aiheutuu huonosti huolletuista laitteista.
- f. Pidä leikkausterät terävinä ja puhtaina. Huolellisesti hoidettu, terävä leikkausterä ei tartu herkästi kiinni, ja sitä on helpompi hallita.
- g. Käytä sähkötyökaluja, tarvikkeita, vaihtotyökaluja jne. näiden ohjeiden mukaisesti. Ota tällöin huomioon työolosuhteet ja suoritettava toimenpide. Sähkötyökalun käyttö muuhun kuin sille määrättyyn käyttöön saattaa johtaa vaarallisiin tilanteisiin.
5. Huolto
- a. Anna koulutettujen ja ammattitaitoisten henkilöiden korjata sähkötyökalusi ja hyväksy korjauksiin vain alkuperäisiä varaosia. Täten varmistat, että sähkötyökalu säilyy turvallisena.

#### Sähkötyökalujen lisäturvavaroitukset



Pensasleikkurin turvavaroitukset.

- ◆ Älä pidä kehoa lähellä leikkurin terää. Älä poista leikattavaa materiaalia tai pidä leikattavasta materiaalista kiinni terien liikkeessä. Varmista, että virta on katkaistu virtakytkimellä, kun poistat jumiutunutta materiaalia. Hetken tarkkaamattomuus pensasleikkuria käytettäessä saattaa johtaa vakavaan loukkaantumiseen.
- ◆ Kanna pensasleikkuria kahvasta, kun leikkurin terä on pysäytetty. Aseta leikkurin suojus paikalleen pensasleikkurin kuljetuksen ja varastoinnin ajaksi. Pensasleikkurin oikea käsittely pienentää leikkurin terien aiheuttamien vammojen riskiä.
- ◆ Pidä kaapeli poissa leikkausalueelta. Käytön aikana kaapeli voi olla piilossa pensaikossa ja voit leikata sitä vahingossa.
- ◆ Vältä kovia esineitä (esimerkiksi metallilankaa, kaiteita) leikkauksen aikana. Jos osut tällaiseen esineeseen vahingossa, katkaise työkalun virta heti ja tarkista vauriot.
- ◆ Pidä työkalusta aina kiinni molemmiin käsiin työkalun kahvoista.
- ◆ Tätä työkalua ei ole tarkoitettu sellaisten henkilöiden käyttöön, joilla on fyysisiä tai älyllisiä rajoitteita tai aistirajoitteita, eikä laitteen toimintaan perehtymättömien henkilöiden käyttöön (lapset mukaan luettuina), paitsi valvonnan alaisina, tai jos he ovat saaneet laitteen käyttöön liittyvää opastusta heidän turvallisuudestaan vastaavalta henkilöltä.
- ◆ Työkalun käyttötarkoitus on kuvattu tässä käyttöohjeessa. Käytä työkalua ainoastaan sellaiseen työhön, johon se on tarkoitettu, ja käytä vain käyttöohjeessa ja tuotekuvastossa suositeltuja tarvikkeita ja lisälaitteita. Ohjeesta poikkeava käyttö voi aiheuttaa henkilö- ja/tai omaisuusvahinkoja.
- ◆ Vältä tahatonta käynnistämistä. Älä kannata työkalua siten, että kätesi tai sormesi on etukahvassa tai liipaisinkytkimelle, ellei työkalun virtajohto ole irti tai akku on irrotettu. Varmista, että työkalun virta on katkaistu, kun liität sen virtalähteeseen.
- ◆ Jos et ole ennen käyttänyt pensasleikkuria, pyydä käytännön ohjeita kokeneelta käyttäjältä tämän käyttöoppaan ohjeiden lisäksi.
- ◆ Älä koskaan koske teriä työkalun ollessa käynnissä.
- ◆ Älä jarruta terän pysähtymisliikettä.
- ◆ Älä laske työkalua alas, ennen kuin terät ovat pysähtyneet kokonaan.
- ◆ Tarkista säännöllisesti, etteivät terät ole vahingoittuneet tai kuluneet. Älä käytä työkalua, jos sen terät ovat vioittuneet.
- ◆ Jos työkalu alkaa täristä epätavallisesti, katkaise työkalun virta heti ja tarkista vauriot.
- ◆ Jos työkalu pysähtyy, katkaise sen virta heti. Irrota työkalun virtajohto tai akku, ennen kuin yrität poistaa esteet.
- ◆ Aseta teränsuojus terien päälle käytön jälkeen. Säilytä työkalu siten, ettei sen terä ole paljaana.
- ◆ Varmista, että kaikki suojukset ovat paikallaan työkalua käytettäessä. Älä koskaan yritä käyttää puutteellista työkalua tai työkalua, johon on tehty luvattomia muutoksia.
- ◆ Älä koskaan anna lasten käyttää työkalua.
- ◆ Varo putoavia oksia, kun leikkaat pensasaidan yläreunoja.

#### Muiden turvallisuus

- ◆ Tätä laitetta ei ole tarkoitettu sellaisten henkilöiden käyttöön, joilla on fyysisiä tai älyllisiä rajoitteita tai aistirajoitteita, eikä laitteen toimintaan perehtymättömien henkilöiden käyttöön (lapset mukaan luettuina), paitsi valvonnan alaisina tai jos he ovat saaneet laitteen käyttöön liittyvää opastusta heidän turvallisuudestaan vastaavalta henkilöltä.
- ◆ Lapsia on valvottava ja heitä on estettävä leikkimästä laitteella.

## Tärinä

Teknisissä tiedoissa ja vaatimustenmukaisuusvakuutuksessa ilmoitettu tärinäpäästöarvo on mitattu EN 60745 -standardin testausmenetelmän mukaisesti, ja sen avulla voidaan vertailla työkaluja keskenään. Ilmoitettua tärinäpäästöarvoa voidaan käyttää myös altistumisen alustavaan arviointiin.

**Varoitus!** Sähkötyökalun käytön aikana mitattu todellinen tärinäpäästöarvo voi poiketa ilmoitetusta tärinäpäästöarvosta työkalun käyttötavan mukaan. Tärinätaso voi olla ilmoitettua tasoa suurempi.

Kun tärinälle altistumista arvioidaan sen määrittämiseksi, mitä direktiivin 2002/44/EY mukaisia turvatoimenpiteitä vaaditaan sähkötyökaluja säännöllisesti käyttävien henkilöiden suojelemiseksi, tärinälle altistumisen arvioinnissa on otettava huomioon todelliset käyttöolosuhteet ja työkalun käyttötavat. Todellisen käytön lisäksi on kiinnitettävä huomiota myös siihen, milloin työkalu on sammutettuna tai se käy tyhjänä.

## Laitteissa olevat merkinnät

Työkalussa on seuraavat kuvamerkinnot:



**Varoitus!** Käyttäjän on luettava käyttöopas vahinkojen välttämiseksi.



Käytä suojalaseja ja kuulosuojaimia, kun käytät tätä työkalua.



Käytä käsineitä, kun käytät laitetta.



Jos virtajohto vaurioituu tai katkeaa, irrota se välittömästi sähköverkosta.



Älä käytä työkalua sateessa tai erittäin kosteissa olosuhteissa.

## Sähköturvallisuus



Tämä laite on kaksoiseristetty, joten erillistä maadoitusta ei tarvita. Tarkista aina, että virtalähde vastaa arvokilvessä ilmoitettua jännitettä.

- Jos virtajohto vahingoittuu, sen vaihtaminen tulee turvallisuussyistä jättää valmistajan tai valtuutetun Black & Decker -huollon tehtäväksi.
- Sähköturvallisuutta voi parantaa käyttämällä erittäin herkkää (30 mA) vikavirtasuojaa.

## Jatkojohdon käyttäminen

Käytä aina hyväksytyä, työkalun virtaliitäntään sopivaa jatkojohtoa (katso tekniset tiedot). Jatkojohdon on oltava

ulkokäyttöön soveltuva ja siinä on oltava vastaava merkintä. Laitteen kanssa voidaan käyttää enintään 30 m pitkää 1,5 mm<sup>2</sup>:n HO5V V-F-jatkojohtoa ilman tehon heikkenemistä. Tarkista jatkojohdon kunto ennen sen käyttämistä vahingoittumisen, kulumisen ja vanhenemisen varalta. Vahingoittunut tai viallinen kaapeli on vaihdettava. Kaapelikelaa käytettäessä pura kaapeli kelalta kokonaisuudessaan.

## Yleiskuvaus

1. Etukahva
2. Etukahvan kytkin
3. Liipasin kytkin
4. Terä
5. Teränsuojus
6. Suojus

Pensasleikkurissa on seuraavia ominaisuuksia:

- Ergonomisesti muotoillut kahvat helpottavat leikkaamista.
- Työstetyt terät parantavat leikkaustulosta.
- Kaksitoimiset terät vähentävät tärinää.

## Kokoaminen

**Varoitus!** Ennen kuin kokoat työkalun, varmista, että työkalun virta on katkaistu, sähköpistoke on irrotettu sähköverkosta ja teränsuojus on terien päällä.

## Kahvan kiinnittäminen (kuva A)

- Liu'uta kahva (1) terien päälle (4).
- Paina kahva (1) paikalleen työkalun alaosaan.
- Kiinnitä kahva mukana toimitetuilla neljällä ruuvilla (7).

## Suojuksen kiinnitys (kuva B)

- Aseta suojus (6) työkalun uriin.
- Lukitse suojus (6) paikalleen kahdella ruuvilla (8).

**Varoitus!** Älä koskaan käytä työkalua ilman suojusta.

## Sahanterän suojuksen asennus (kuva C)

Mukana on toimitettu valinnainen sahanterän suojus (10) suojaamaan terien (4) päätä leikattaessa lähellä kovaa pintaa.

- Aseta terän suojus (10) terätuen päällä olevan kahden reiän kohdalle.
- Lukitse terän suojus paikalleen kahdella ruuvilla (9).

## Työkalun kytkeminen verkkovirtaan (kuva D)

Jos työkalussa ei ole virtakaapelia, sinun on liitettävä jatkojohto virtavastakkeeseen.

- Liitä sopivan jatkojohdon naarasliitin työkalun virtavastakkeeseen.
- Liitä kaapeli kaapelinpidikkeen (11) läpi kuvan osoittamalla tavalla estämään kaapelin irtoaminen käytön aikana.



- ◆ Kytke verkkopistoke virtalähteeseen.

**Varoitus!** Jatkojohton on oltava ulkokäyttöön sopiva. Jos käytät jatkojohdotkelaia, kelaa johto aina täysin auki.

### Jäännösriskit

Jäännösriskit ovat mahdollisia, jos käytät työkalua muulla kuin turvavaroituksissa mainitulla tavalla. Nämä riskit voivat liittyä muun muassa virheelliseen tai pitkäaikaiseen käyttöön.

Tiettyjä jäännösriskkejä ei voi välttää, vaikka noudatat kaikkia turvämääräyksiä ja käytät turvalaitteita. Näihin kuuluvat muun muassa

- ◆ pyörivien tai liikkuvien osien koskettamisen aiheuttamat vahingot.
- ◆ osia, teriä tai lisävarusteita vaihdettaessa aiheutuneet vahingot.
- ◆ työkalun pitkäaikaisen käytön aiheuttamat vahingot Kun käytät työkalua pitkään, varmista, että pidät säännöllisesti taukoja.
- ◆ kuulovauriot.
- ◆ työkalua käytettäessä (esimerkiksi puuta, erityisesti tammea, pyökiä ja MDF-levyjä, käsiteltäessä) syntyneen pölyn sisäänhengityksen aiheuttamat terveysriskit.

### Käyttö

**Varoitus!** Anna työkalun toimia omissa tahdissaan. Älä ylikuormita sitä.

- ◆ Tarkista ennen laitteen käyttöä, ettei työkalu tai verkkokaapeli ole vahingoittunut. Kiinnitä erityisesti huomiota suojuksiin, kytkimiin ja osiin.
- ◆ Varmista, että työkalu toimii oikein.
- ◆ Älä käytä työkalua, jos se on vahingoittunut tai viallinen.
- ◆ Älä käytä työkalua, jota ei voida käynnistää ja pysäyttää virtakytkimestä.
- ◆ Jos sähkötyökalu on vioittunut, korjauta se valtuutetussa huoltokorjaamossa. Älä koskaan yritä korjata sitä itse.
- ◆ Ohjaa kaapeli siten, ettet vahingossa leikkaa sitä. Hyvä tapa tehdä tämä on ohjata kaapeli olkapään yli.
- ◆ Käyttöturvallisuuden lisäämiseksi tämä työkalu on varustettu käynnistysvarmistimella. Tällöin työkalua ei voi käynnistää vahingossa ja sitä voi käyttää vain, kun työkalua pidetään molemmin käsin.

### Käynnistys ja pysäytys

#### Käynnistys

Tartu etukahvaan (1) siten, että etukahvan kytkin (2) painautuu työkalun runkoa vasten. Käynnistä työkalu painamalla liipaisinkytkintä (3) toisella kädellä.

#### Sammuttaminen

Vapauta etukahvan kytkin (2) tai liipaisinkytkin (3).

**Varoitus!** Älä koskaan yritä lukita kytkimiä käyttöasentoon.

### Vinkkejä parhaimman tuloksen saamiseksi

- ◆ Aloita trimmaamalla aidan yläosa. Kallista työkalua hiukan (enintään 15° leikkauslinjaan) siten, että terän kärjet osoittavat hieman aitaan päin (kuva E). Tällöin terät leikkaavat tehokkaasti. Pidä työkalua haluamassasi kulmassa ja liikuta sitä tasaisesti leikkauslinjaa pitkin. Kaksipuolisen terän ansiosta voit leikata kumpaan suuntaan tahansa.
- ◆ Jos haluat erittäin suoran leikkausjäljen, aseta naru aidan pituussuunnassa haluamallasi korkeudelle. Käytä naru apuna ja leikkaa sen yläpuolelta.
- ◆ Saat aikaiseksi suorat reunat leikkaamalla ylöspäin kasvusuunnassa. Nuoret varret liikkuvat ulospäin terän leikatessa alaspäin, mikä aiheuttaa matalia syvennyksiä aitaan (kuva F).
- ◆ Vältä osumasta muihin esineisiin. Vältä erityisesti kovia esineitä, kuten metallijohtoja ja kaiteita, koska ne voivat vahingoittaa teriä.
- ◆ Voitele terät säännöllisesti.

### Trimmausohjeet (Yhdistynyt kuningaskunta ja Irlanti)

- ◆ Trimmaa lehtipensaat kesä- ja lokakuussa.
- ◆ Trimmaa havupensaat huhti- ja elokuussa.
- ◆ Trimmaa katajat ja muut nopeasti kasvavat pensaat kuuden viikon välein toukokuusta lokakuuhun.

### Trimmausohjeet (Australia ja Uusi-Seelanti)

- ◆ Trimmaa lehtipensaat joului- ja maaliskuussa.
- ◆ Trimmaa havupensaat syys- ja helmikuussa.
- ◆ Trimmaa katajat ja muut nopeasti kasvavat pensaat kuuden viikon välein lokakuusta maaliskuuhun.

### Huolto

Black & Decker -työkalu on suunniteltu toimimaan mahdollisimman pitkän aikaa mahdollisimman vähällä huollolla. Oikealla huollolla ja säännöllisellä puhdistuksella kone säilyttää suorituskykynsä.

**Varoitus!** Katkaise laitteesta virta ja irrota virtajohto pistorasiasta aina ennen huoltotoimenpiteitä.

- ◆ Puhdista terät huolellisesti käytön jälkeen. Voitele terät ohuesti öljyllä puhdistuksen jälkeen. Näin ne eivät ruostu.
- ◆ Puhdista työkalun ilma-aukot säännöllisesti pehmeällä harjalla tai kuivalla rievulla.
- ◆ Puhdista työkalun kuori säännöllisesti kostealla siivousliinalla. Älä koskaan käytä puhdistamiseen liuotainaineita tai syövyttäviä puhdistusaineita.
- ◆ Varmista, ettei kytkimissä ole roskia ennen käyttöä eikä käytön jälkeen.

**Suojuksen poistaminen (kuva B)**

**Varoitus!** Poista suojus vain huoltoa varten. Kiinnitä suojus aina paikalleen huollon jälkeen.

- ◆ Irrota ruuvit (8).
- ◆ Liu'uta suojus (6) irti työkalusta.

**Vianmääritys**

Jos työkalu ei toimi oikein, tarkista seuraavat asiat:

Vika	Mahdollinen syy	Toimi
Työkalu ei käynnisty.	Sulake on palanut.	Vaihda sulake.
	Vikavirtasuoja on lauennut.	Tarkista vikavirtasuoja.
	Virtajohto on irti.	Tarkista verkkovirtalähde.



Käytettyjen tuotteiden ja pakkausmateriaalien erilliskeruun avulla materiaalit voidaan kierrättää ja käyttää uudelleen. Kierrätysmateriaalien käyttö auttaa vähentämään ympäristön saastumista ja uusien raaka-aineiden tarvetta.

Paikallisissa säädöksissä voidaan määrätä, että kodin sähkötuotteiden keruu tapahtuu kaupunkien jätteidenkäsittelyasemilla tai laitteita myyvissä liikkeissä uuden tuotteen oston yhteydessä.

Kun laitteesi on käytetty loppuun, älä heitä sitä tavallisten roskien mukana pois, vaan vie se paikkakuntasi kierrätyskeskukseen tai jätä valtuutettuun Black & Deckerin huoltoliikkeeseen.

Tiedot valtuutetuista huoltoliikkeistä saa ottamalla yhteyttä Black & Decker Oy:hyn sekä Internetistä osoitteesta [www.2helpU.com](http://www.2helpU.com).

**Ympäristö**



Erillinen keräys. Tätä tuotetta ei saa hävittää normaalin kotitalousjätteen mukana.

Kun Black & Decker -laitteesi aikanaan täytyy vaihtaa tai ei kelpaa enää käyttöön, älä hävitä laitetta kotitalousjätteen mukana. Toimita laite erilliskeräykseen.

**Tekniset tiedot**

	GT5026 TYYPPI 1	GT6025 TYYPPI 1	GT6026 TYYPPI 1	GT6030 TYYPPI 1	GT6530 TYYPPI 1	GT7026 TYYPPI 1	GT7030 TYYPPI 1
Jännite	Vac 230	230	230	230	230	230	230
Ottoteho	W 600	600	650	650	350	700	700
Teränliikkeet (kuormittamattomana)	min-1 1400	1400	1400	1400	1400	1400	1400
Terän pituus	cm 50	60	60	60	65	70	70
Terien väli	mm 26	26	26	30	30	26	30
Terän jarrutusaika	s <1,0	<1,0	<1,0	<1,0	<1,0	<1,0	<1,0
Paino (ilman virtajohtoa)	kg 4,9	4,9	4,9	4,9	4,9	4,9	4,9

Tärinän kokonaisarvot (vektorisumma), määritetty

EN 60745 -standardin mukaan

Tärinäpäästöarvo ( $a_h$ ) 4.6 m/s<sup>2</sup>,

tärinäarvo (K) 1.5 m/s<sup>2</sup>

**EU:n vaatimustenmukaisuusilmoitus**KONEDIREKTIIVI  
ULKOILMAMELUDIREKTIIVI**GT5026, GT6025, GT6026, GT6030, GT6530,  
GT7026, GT7030**

Black & Decker ilmoittaa, että tuotteet, jotka on kuvattu kohdassa Tekniset tiedot, täyttävät seuraavien direktiivien vaatimukset:

98/37/EY (28.12.2009 saakka),  
2006/42/EY (29.12.2009 alkaen),  
EN60745-1, EN60745-2-15

2000/14/EC, pensasleikkuri, liite V,

Akustisen tehon taso määräyksen 2000/14/EY  
(artikla 13, liite III,  $L \leq 50$  cm) mukaisesti:

$L_{WA}$  (mitattu ääniteho) 97 db  
epävarmuus (K) 3 dB(A)

$L_{WA}$  (taattu ääniteho) 102 db  
epävarmuus (K) 3 dB(A)

Nämä tuotteet täyttävät myös direktiivin 2004/108/EY vaatimukset. Lisätietoja saa ottamalla yhteyden Black & Deckeriin seuraavissa osoitteissa tai katsomalla tiedot käyttöoppaan takakannesta.

Allekirjoittanut vastaa teknisten tietojen kokoamisesta ja antaa tämän ilmoituksen Black & Deckerin puolesta.

Kevin Hewitt  
Vice-President Global Engineering  
Black & Decker Europe,  
210 Bath Road, Slough,  
Berkshire, SL1 3YD  
Iso-Britannia  
24.11.2009

**Takuu**

Black & Decker Oy takaa, ettei tuotteessa ollut materiaali- ja/ tai valmistusvikaa silloin, kun se toimitettiin ostajalle.

Takuu on lisäyksen kuluttajan laillisiin oikeuksiin eikä vaikuta niihin. Takuu on voimassa Euroopan unionin jäsenvaltioissa ja Euroopan vapaakauppa-alueella (EFTA).

Mikäli Black & Decker -tuote hajooa materiaali- ja/tai valmistusvirheen tai teknisten tietojen epätarkkuuden vuoksi 24 kk:n kuluessa ostopäivästä, Black & Decker korjaa laitteen ilman kustannuksia ostajalle tai vaihtaa sen uuteen Black & Decker Oy:n valinnan mukaan. Takuu ei kata vikoja, jotka johtuvat laitteen

- ◆ Normaalisti kulumisesta.
- ◆ Ylikuormituksesta, virheellisestä käytöstä tai hoidosta.
- ◆ Vahingoittamisesta vieraalla esineellä tai aineella tai onnettomuustapauksessa.
- ◆ Takuu ei ole voimassa, mikäli laitetta on korjannut joku muu kuin Black & Deckerin valtuuttama huoltoliike.

Edellytyksenä takuun saamiselle on, että ostaja jättää koneen ja ostokuitin jälleenmyyjälle tai valtuutetulle huoltoliikkeelle viimeistään 2 kuukauden kuluessa vian ilmenemisestä. Tiedot valtuutetuista huoltoliikkeistä saa ottamalla yhteyttä Black & Decker Oy:hyn sekä Internetistä osoitteesta

**www.2helpU.com.**

Voit vierailla verkkosivuillamme **www.blackanddecker.fi** rekisteröidäksesi uuden Black & Decker -tuotteesi ja saadaaksesi tietoa uusista tuotteista ja erikoistarjouksista. Saat lisätietoja Black & Deckerin tavaramerkistä ja tuotevalikoimastamme osoitteesta **www.blackanddecker.fi**.

## Ενδεξιμένη χρήση

Αυτό το θαμνοκοπτικό Black & Decker έχει σχεδιαστεί για την κοπή και περιποίηση φυτικών φραχτών, θάμνων και βάτων. Αυτό το εργαλείο προορίζεται μόνο για ερασιτεχνική χρήση.

## Οδηγίες ασφαλείας

Γενικές προειδοποιήσεις ασφαλείας για τα ηλεκτρικά εργαλεία



**Προειδοποίηση!** Διαβάστε όλες τις υποδείξεις και όλες τις οδηγίες. Η μη τήρηση όλων των οδηγιών μπορεί να προκαλέσει ηλεκτροπληξία, πυρκαγιά ή/και σοβαρούς τραυματισμούς.

Φυλάξτε όλες τις προειδοποιήσεις και τις οδηγίες για μελλοντική αναφορά.

Ο χαρακτηρισμός "ηλεκτρικό εργαλείο" που χρησιμοποιείται σε όλες τις παρακάτω προειδοποιήσεις αφορά ή το εργαλείο που συνδέεται στην πρίζα (με καλώδιο) ή το εργαλείο που λειτουργεί με μπαταρία (χωρίς καλώδιο).

### 1. Ασφάλεια χώρου εργασίας

- a. Διατηρείτε το χώρο που εργάζεστε καθαρό και καλά φωτισμένο. Η αταξία στο χώρο που εργάζεστε και τα σημεία χωρίς καλό φωτισμό μπορεί να οδηγήσουν σε ατυχήματα.
- b. Μη χρησιμοποιείτε ηλεκτρικά εργαλεία σε περιβάλλον όπου υπάρχει κίνδυνος έκρηξης, π.χ. παρουσία εύφλεκτων υγρών, αερίων ή σκόνης. Τα ηλεκτρικά εργαλεία μπορεί να δημιουργήσουν σπινθηρισμό ο οποίος μπορεί να αναφλέξει τη σκόνη ή τις αναθυμιάσεις.
- c. Όταν χρησιμοποιείτε το ηλεκτρικό εργαλείο, κρατάτε τα παιδιά και τα υπόλοιπα άτομα μακριά από το χώρο που εργάζεστε. Σε περίπτωση που άλλα άτομα αποσπάσουν την προσοχή σας μπορεί να χάσετε τον έλεγχο του μηχανήματος.

### 2. Ασφαλής χρήση του ηλεκτρικού ρεύματος

- a. Το φως του καλωδίου του ηλεκτρικού εργαλείου πρέπει να ταιριάζει στην αντίστοιχη πρίζα. Δεν επιτρέπεται με κανένα τρόπο η μετασκευή του φως. Μη χρησιμοποιείτε προσαρμοστικά φως στα γειωμένα ηλεκτρικά εργαλεία. Τα φως που δεν έχουν υποστεί τροποποιήσεις και οι κατάλληλες πρίζες μειώνουν τον κίνδυνο ηλεκτροπληξίας.
- b. Αποφύγετε την επαφή του σώματός σας με γειωμένες επιφάνειες όπως σωληνες, θερμαντικά σώματα (καλοριφέρ), κουζίνες και ψυγεία. Όταν το σώμα σας είναι γειωμένο, αυξάνεται ο κίνδυνος ηλεκτροπληξίας.
- c. Μη εκθέτετε το ηλεκτρικό εργαλείο στη βροχή ή στην υγρασία. Η διείσδυση νερού στο ηλεκτρικό εργαλείο αυξάνει τον κίνδυνο ηλεκτροπληξίας.

### d. Μην κακομεταχειρίζεστε το καλώδιο.

Μη χρησιμοποιείτε ποτέ το καλώδιο για να μεταφέρετε το εργαλείο, να το τραβήξετε ή να το αποσυνδέσετε από την πρίζα. Κρατάτε το καλώδιο μακριά από υψηλές θερμοκρασίες, λάδια, κοφτερές ακμές ή κινούμενα εξαρτήματα.

Τυχόν χαλασμένα ή μπερδεμένα καλώδια αυξάνουν τον κίνδυνο ηλεκτροπληξίας.

- e. Όταν χρησιμοποιείτε το ηλεκτρικό εργαλείο σε εξωτερικούς χώρους, να χρησιμοποιείτε πάντοτε καλώδια προέκτασης κατάλληλα για χρήση σε εξωτερικούς χώρους. Η χρήση προεκτάσεων κατάλληλων για εργασία σε εξωτερικούς χώρους μειώνει τον κίνδυνο ηλεκτροπληξίας.
- f. Εάν η χρήση ενός ηλεκτρικού εργαλείου σε μία υγρή τοποθεσία είναι αναπόφευκτη, χρησιμοποιήστε μια Διάταξη Προστασίας Ρεύματος Διαρροής (RCD). Η χρήση μιας διάταξης RCD μειώνει τον κίνδυνο ηλεκτροπληξίας.

### 3. Ασφάλεια προσώπων

- a. Όταν χρησιμοποιείτε το ηλεκτρικό εργαλείο, να είστε προσεκτικοί, να δίνετε προσοχή στην εργασία που κάνετε και να επιστρατεύετε την κοινή λογική. Μη χρησιμοποιείτε το ηλεκτρικό εργαλείο όταν είστε κουρασμένοι ή όταν βρίσκεστε υπό την επήρεια ναρκωτικών, οινόπνευματος ή φαρμάκων. Μια στιγμή απροσεξία κατά το χειρισμό του ηλεκτρικού εργαλείου μπορεί να οδηγήσει σε σοβαρούς τραυματισμούς.
- b. Να χρησιμοποιείτε εξοπλισμό προσωπικής προστασίας. Να φοράτε πάντα προστατευτικά γυαλιά. Ο κίνδυνος τραυματισμών μειώνεται όταν χρησιμοποιείτε εξοπλισμό προστασίας, όπως μάσκα προστασίας από σκόνη, αντιοιδηματικά παπούτσια ασφαλείας, κράνη ή ωτασπίδες, ανάλογα με τις συνθήκες εργασίας.
- c. Αποφύγετε την ακούσια ενεργοποίηση. Βεβαιωθείτε ότι ο διακόπτης λειτουργίας βρίσκεται στη θέση "OFF" πριν συνδέσετε το εργαλείο στην πρίζα και/ή στην μπαταρία, πριν το σηκώσετε ή το μεταφέρετε. Η μεταφορά ηλεκτρικών εργαλείων με το δάχτυλό σας επάνω στο διακόπτη ή η σύνδεση στην πρίζα ηλεκτρικών εργαλείων με το διακόπτη στη θέση ενεργοποίησης, ενέχει κινδύνους πρόκλησης ατυχημάτων.
- d. Πριν θέσετε το ηλεκτρικό εργαλείο σε λειτουργία, αφαιρέστε τυχόν εργαλεία ή κλειδιά ρύθμισης. Εάν αφήσετε ένα εργαλείο ή κλειδί πάνω σε κάποιο περιστρεφόμενο εξάρτημα του ηλεκτρικού εργαλείου, μπορεί να προκληθούν τραυματισμοί.

- e. **Μην τεντώνεστε. Φροντίστε πάντοτε να έχετε την κατάλληλη στάση και να διατηρείτε την ισορροπία σας.** Αυτό σας επιτρέπει τον καλύτερο έλεγχο του ηλεκτρικού εργαλείου σε περιπτώσεις απροσδόκων καταστάσεων.
- f. **Φοράτε κατάλληλη ενδυμασία εργασίας. Μη φοράτε φαρδιά ρούχα ή κοσμήματα. Κρατάτε τα μαλλιά, τα ενδύματα και τα γάντια σας μακριά από τα κινούμενα εξαρτήματα.** Τα φαρδιά ρούχα, τα κοσμήματα και τα μακριά μαλλιά μπορεί να εμπλακούν στα κινούμενα εξαρτήματα.
- g. **Αν προβλέπονται διατάξεις απαγωγής και συλλογής της σκόνης, βεβαιωθείτε ότι είναι συνδεδεμένες και ότι χρησιμοποιούνται σωστά.** Η χρήση τέτοιων διατάξεων μειώνει τους κινδύνους που προέρχονται από τη σκόνη.
4. **Χρήση και συντήρηση του ηλεκτρικού εργαλείου**
- a. **Μην υπερφορτώνετε το ηλεκτρικό εργαλείο. Χρησιμοποιείτε για την εκάστοτε εργασία σας το ηλεκτρικό εργαλείο που προορίζεται γι' αυτήν.** Με το κατάλληλο ηλεκτρικό εργαλείο εργάζεστε καλύτερα και ασφαλέστερα στην ονομαστική περιοχή ισχύος του.
- b. **Μη χρησιμοποιήσετε ποτέ ένα ηλεκτρικό εργαλείο του οποίου ο διακόπτης λειτουργίας είναι χαλασμένος.** Ένα ηλεκτρικό εργαλείο του οποίου η λειτουργία δεν μπορεί να ελεγχθεί με το διακόπτη είναι επικίνδυνο και πρέπει να επισκευαστεί.
- c. **Βγάλτε το φισ από την πρίζα και/ή την μπαταρία από το ηλεκτρικό εργαλείο, πριν διεξάγετε κάποια εργασία ρύθμισης, πριν αλλάξετε κάποιο εξάρτημα ή όταν πρόκειται να αποθηκεύσετε τα ηλεκτρικά εργαλεία.** Αυτά τα προληπτικά μέτρα ασφαλείας μειώνουν τον κίνδυνο να τεθεί το εργαλείο αθλήτα σε λειτουργία.
- d. **Να φυλάτε τα ηλεκτρικά εργαλεία που δεν χρησιμοποιείτε μακριά από παιδιά. Μη αφήνετε άτομα που δεν είναι εξοικειωμένα με το ηλεκτρικό εργαλείο ή που δεν έχουν διαβάσει αυτές τις οδηγίες χρήσης να το χρησιμοποιούν.** Τα ηλεκτρικά εργαλεία είναι επικίνδυνα όταν χρησιμοποιούνται από άπειρα άτομα.
- e. **Να συντηρείτε τα ηλεκτρικά εργαλεία. Ελέγξτε εάν τα κινούμενα μέρη είναι σωστά ευθυγραμμισμένα ή αν έχουν μπλοκάρει, εάν έχουν σπάσει κομμάτια και εάν πληρούνται όλες οι υπολοίπες συνθήκες που ενδεχομένως να επηρεάσουν τη σωστή λειτουργία του εργαλείου. Δώστε τυχόν χαλασμένα εξαρτήματα του ηλεκτρικού εργαλείου για επισκευή πριν το χρησιμοποιήσετε πάλι.** Η ανεπαρκής συντήρηση των ηλεκτρικών εργαλείων αποτελεί αιτία πολλών ατυχημάτων.

- f. **Διατηρείτε τα κοπτικά εργαλεία κοφτερά και καθαρά.** Τα κοπτικά εργαλεία με αιχμηρά κοπτικά άκρα που συντηρούνται σωστά έχουν λιγότερες πιθανότητες να μπλοκάρουν και ελέγχονται ευκολότερα.
- g. **Να χρησιμοποιείτε τα ηλεκτρικά εργαλεία, τα εξαρτήματα και τα άκρα των εργαλείων κλπ σύμφωνα με τις παρούσες οδηγίες, λαμβάνοντας υπόψη σας τις συνθήκες εργασίας και την εργασία που θέλετε να εκτελέσετε.** Η χρήση του ηλεκτρικού εργαλείου για εργασίες πέρα από τις προβλεπόμενες μπορεί να οδηγήσει σε επικίνδυνες καταστάσεις.
5. **Σέρβις**
- a. **Το σέρβις του ηλεκτρικού σας εργαλείου πρέπει να αναλαμβάνει έμπειρος τεχνικός που θα χρησιμοποιεί μόνο γνήσια ανταλλακτικά.** Έτσι εξασφαλίζεται η διατήρηση της ασφάλειας του ηλεκτρικού εργαλείου.

**Συμπληρωματικές προειδοποιήσεις ασφαλείας για τα ηλεκτρικά εργαλεία.**



Προειδοποιήσεις ασφαλείας για το θαμνοκοπτικό.

- ◆ **Κρατάτε όλα τα μέλη του σώματός σας σε απόσταση από τη λεπίδα κοπής. Μη αφαιρείτε το κομμένο υλικό και μην κρατάτε υλικό για κοπή όταν οι λεπίδες βρίσκονται σε κίνηση. Βεβαιωθείτε ότι ο διακόπτης είναι απενεργοποιημένος (off) κατά την αφαίρεση υλικού που έχει φρακάρει.** Μια στιγμιαία απροσεξία κατά το χειρισμό του θαμνοκοπτικού μπορεί να οδηγήσει σε σοβαρό τραυματισμό.
- ◆ **Μεταφέρετε το θαμνοκοπτικό κρατώντας το από τη λαβή, με τη λεπίδα κοπής σταματημένη. Κατά τη μεταφορά ή αποθήκευση του θαμνοκοπτικού, να τοποθετείτε πάντα το κάλυμμα του μηχανισμού κοπής.** Ο σωστός χειρισμός του θαμνοκοπτικού περιορίζει το ενδεχόμενο τραυματισμού από τις λεπίδες κοπής.
- ◆ **Κρατάτε το καλώδιο μακριά από την περιοχή κοπής. Κατά τη διάρκεια της χρήσης, το καλώδιο μπορεί να κρυφτεί στους θάμνους και να κοπεί κατά λάθος από τη λεπίδα.**
- ◆ **Προσέξτε ώστε να αποφεύγετε σκληρά αντικείμενα (π.χ. μεταλλικά σύρματα, κικλιδώματα) κατά τις εργασίες κοπής. Εάν χτυπήσετε κατά λάθος ένα τέτοιο αντικείμενο, απενεργοποιήστε αμέσως το εργαλείο και ελέγξτε το για τυχόν ζημιά.**
- ◆ **Πάντα να κρατάτε το εργαλείο με τα δύο χέρια και από τις παρεχόμενες λαβές.**

- ♦ Αυτό το εργαλείο δεν προορίζεται για χρήση από άτομα (στα οποία περιλαμβάνονται και τα παιδιά) με μειωμένες φυσικές, αντιληπτικές ή διανοητικές ικανότητες, ή άτομα χωρίς εμπειρία και γνώσεις, παρά μόνο εφόσον επιτηρούνται ή τους έχουν δοθεί οδηγίες σχετικά με τη χρήση της συσκευής από άτομο υπεύθυνο για την ασφάλεια τους. Τα παιδιά πρέπει να επιτηρούνται ώστε να είστε σίγουρος ότι δεν παίζουν με το εργαλείο.
  - ♦ Η ενδεχόμενη χρήση περιγράφεται σε αυτό το εγχειρίδιο οδηγιών. Η χρήση οποιουδήποτε αξεσουάρ ή προσαρτήματος ή η εκτέλεση οποιασδήποτε εργασίας με αυτό το εργαλείο, διαφορετικής από αυτές που συστήνονται στο παρόν εγχειρίδιο οδηγιών ενδέχεται να εγκυμονεί κίνδυνο τραυματισμού και/ή ζημιάς σε ιδιοκτησία.
  - ♦ Αποφεύγετε την ακούσια ενεργοποίηση του εργαλείου. Μη μεταφέρετε το εργαλείο με το χέρι ή το δάχτυλό σας στην μπροστινή λαβή ή το διακόπτη-σκανδάλη εάν προηγουμένως το εργαλείο δεν έχει αποσυνδεθεί από την πρίζα ή δεν έχει αφαιρεθεί η μπαταρία. Βεβαιωθείτε ότι το εργαλείο είναι απενεργοποιημένο όταν το συνδέετε στην πρίζα.
  - ♦ Εάν δεν έχετε χρησιμοποιήσει ξανά θαμνοκοπτικό, καλό θα είναι να ζητήσετε πρακτικές οδηγίες από έναν έμπειρο χρήστη πέρα από τη μελέτη του παρόντος εγχειριδίου.
  - ♦ Μην αγγίζετε ποτέ τις λεπίδες ενώ το εργαλείο βρίσκεται σε λειτουργία.
  - ♦ Μην επιχειρήσετε ποτέ να ακινητοποιήσετε τις λεπίδες εξαναγκαστικά.
  - ♦ Μην τοποθετείτε κάτω το εργαλείο πριν να ακινητοποιηθούν εντελώς οι λεπίδες.
  - ♦ Ελέγχετε τακτικά τις λεπίδες για ζημιές και φθορές. Μη χρησιμοποιείτε το εργαλείο εάν οι λεπίδες έχουν υποστεί ζημιά.
  - ♦ Εάν τυχόν το εργαλείο αρχίσει να δονείται με μη φυσιολογικό τρόπο, απενεργοποιήστε το αμέσως και ελέγξτε το για τυχόν ζημιά.
  - ♦ Εάν το εργαλείο σταματήσει απότομα να λειτουργεί, απενεργοποιήστε το. Αποσυνδέστε το εργαλείο από την πρίζα ή αφαιρέστε την μπαταρία πριν επιχειρήσετε να αφαιρέσετε οποιοδήποτε εμπόδιο.
  - ♦ Μετά τη χρήση, τοποθετήστε στις λεπίδες την παρεχόμενη θήκη λεπίδων. Αποθηκεύστε το εργαλείο, αφού βεβαιωθείτε ότι η λεπίδα δεν είναι εκτεθειμένη.
  - ♦ Πάντοτε να βεβαιώνετε ότι όλα τα προστατευτικά είναι τοποθετημένα στο εργαλείο όταν το χρησιμοποιείτε. Μην επιχειρήσετε να χρησιμοποιήσετε το εργαλείο εάν λείπουν εξαρτήματα από αυτό ή εάν έχει υποβληθεί σε μη εξουσιοδοτημένες τροποποιήσεις.
  - ♦ Μην αφήνετε ποτέ παιδιά να χρησιμοποιήσουν το εργαλείο.
  - ♦ Να προσέχετε το ενδεχόμενο πτώσης υπολειμμάτων κοπής κατά την κοπή στις ψηλότερες πλευρές ενός φυτικού φράχτη.
- ### Ασφάλεια τρίτων
- ♦ Αυτή η συσκευή δεν προορίζεται για χρήση από άτομα (στα οποία περιλαμβάνονται και τα παιδιά) με μειωμένες φυσικές, αντιληπτικές ή διανοητικές ικανότητες ή άτομα χωρίς εμπειρία και γνώσεις, παρά μόνο εφόσον επιτηρούνται ή τους έχουν δοθεί οδηγίες σχετικά με τη χρήση της συσκευής από άτομο υπεύθυνο για την ασφάλειά τους.
  - ♦ Τα παιδιά πρέπει να επιτηρούνται για να διασφαλίζεται ότι δεν παίζουν με τη μηχανή.
- ### Δόνηση
- Η δηλωμένη τιμή εκπομπής δόνησης που αναφέρεται στα τεχνικά χαρακτηριστικά και τη δήλωση συμμόρφωσης έχει μετρηθεί σύμφωνα με μια τυποποιημένη μέθοδο δοκιμής που παρέχεται από το πρότυπο EN 60745 και μπορεί να χρησιμοποιηθεί για τη σύγκριση ενός εργαλείου με ένα άλλο. Η δηλωμένη τιμή εκπομπής δόνησης μπορεί επίσης να χρησιμοποιηθεί σε έναν προκαταρκτικό προσδιορισμό της έκθεσης.
- ### Προειδοποίηση!
- Η τιμή εκπομπής δόνησης κατά την πραγματική χρήση του ηλεκτρικού εργαλείου μπορεί να διαφέρει από τη δηλωμένη τιμή ανάλογα με το τρόπο που χρησιμοποιείται το εργαλείο. Η στάθμη δόνησης μπορεί να αυξηθεί πάνω από τη στάθμη που έχει δηλωθεί.
- Κατά τον προσδιορισμό της έκθεσης σε δόνηση για τον καθορισμό των απαιτούμενων μέτρων ασφάλειας σύμφωνα με την οδηγία 2002/44/EK για την προστασία προσώπων που χρησιμοποιούν συχνά ηλεκτρικά εργαλεία στην εργασία τους, μια προσεγγιστική εκτίμηση της έκθεσης σε δόνηση πρέπει να λαμβάνει υπόψη τις πραγματικές συνθήκες χρήσης και τον τρόπο χρήσης του εργαλείου, συμπεριλαμβανομένων και όλων των επιμέρους τμημάτων του κύκλου εργασίας, όπως, πόσες φορές τέθηκε το εργαλείο εκτός λειτουργίας, τότε είναι σε λειτουργία χωρίς φορτίο και επιπρόσθετα ο χρόνος πίεσης της σκανδάλης.

## Επικέτες στο εργαλείο

Τα ακόλουθα εικονογράμματα εμφανίζονται στη συσκευή:



**Προειδοποίηση!** Για να μειωθεί ο κίνδυνος τραυματισμού, ο χρήστης πρέπει να διαβάσει το εγχειρίδιο οδηγιών.



Φοράτε προστατευτικά ή χοντρά γυαλιά και υατασπίδες όταν χρησιμοποιείτε αυτό το εργαλείο.



Φοράτε γάντια όταν χρησιμοποιείτε αυτό το εργαλείο.



Αποσυνδέστε αμέσως το καλώδιο από την πρίζα εάν φθαρεί ή κοπεί.



Μην εκθέτετε το εργαλείο στη βροχή ή σε υψηλή υγρασία.

## Ασφαλής χρήση ηλεκτρικού ρεύματος



Ο φορτιστής σας φέρει διπλή μόνωση, επομένως δεν απαιτείται σύρμα γείωσης. Ελέγχετε πάντα αν η τάση τροφοδοσίας αντιστοιχεί σε αυτήν που αναγράφεται στην πινακίδα χαρακτηριστικών.

Αν το καλώδιο ρεύματος έχει υποστεί φθορά, η αντικατάστασή του πρέπει να γίνει από τον κατασκευαστή ή από ένα εξουσιοδοτημένο κέντρο της Black & Decker, ώστε να μην αποτελέσει κίνδυνο.

**Προειδοποίηση!** Ποτέ μην επιχειρείτε να αντικαταστήσετε τη μονάδα φορτιστή με έναν κανονικό ρευματολήπτη.

## Ασφάλεια τρίτων

- Αυτή η συσκευή δεν προορίζεται για χρήση από άτομα (στα οποία περιλαμβάνονται και τα παιδιά) με μειωμένες φυσικές, αντιληπτικές ή διανοητικές ικανότητες ή άτομα χωρίς εμπειρία και γνώσεις, παρά μόνο εφόσον επιτηρούνται ή τους έχουν δοθεί οδηγίες σχετικά με τη χρήση της συσκευής από άτομο υπεύθυνο για την ασφάλειά τους.
- Τα παιδιά πρέπει να επιτηρούνται για να διασφαλίζεται ότι δεν παίζουν με τη μηχανή.

## Χαρακτηριστικά

- Μπροστινή λαβή
- Διακόπτης μπροστινής λαβής
- Διακόπτης-σκανδάλη
- Λεπίδα
- Θήκη Λεπίδων
- Προστατευτικό

Αυτό το θαμνοκοπτικό έχει τα παρακάτω χαρακτηριστικά για δικό σας όφελος:

- Λαβές εργονομικής κοπής για άνετη κοπή.

- Μηχανικά κατεργασμένες λεπίδες για βελτιωμένη κοπή.
- Λεπίδες διπλής δράσης για μειωμένους κραδασμούς.

## Συναρμολόγηση

**Προειδοποίηση!** Πριν από τη συναρμολόγηση, βεβαιωθείτε ότι εργαλείο είναι απενεργοποιημένο και αποσυνδεδεμένο από την πρίζα και ότι η θήκη λεπίδων είναι τοποθετημένη στις λεπίδες.

### Τοποθέτηση της λαβής (εικ. Α)

- Περάστε τη λαβή (1) πάνω στις λεπίδες (4).
- Πιέστε τη λαβή (1) στη θέση της στο κάτω μέρος του εργαλείου.
- Ασφαλίστε τη λαβή χρησιμοποιώντας τις 4 (7) που παρέχονται.

### Τοποθέτηση του προστατευτικού (εικ. Β)

- Τοποθετήστε το προστατευτικό (6) μέσα στις εσοχές που υπάρχουν στο εργαλείο.
- Ασφαλίστε το προστατευτικό (6) χρησιμοποιώντας τις δύο παρεχόμενες βίδες (8).

**Προειδοποίηση!** Μη χρησιμοποιείτε ποτέ το εργαλείο χωρίς το προστατευτικό.

### Τοποθέτηση του προστατευτικού μύτης λεπίδας (εικ. C)

Παρέχεται ένα προαιρετικό προστατευτικό μύτης λεπίδας (10) για την προστασία των άκρων των λεπίδων (4) κατά την κοπή κοντά σε σκληρές επιφάνειες.

- Ευθυγραμμίστε το προστατευτικό μύτης λεπίδας (10) με τις 2 οπές στο άκρο του στηρίγματος της λεπίδας.
- Ασφαλίστε το προστατευτικό μύτης λεπίδας με τις δύο παρεχόμενες βίδες (9).

### Σύνδεση του εργαλείου στο δίκτυο ηλεκτρικής τροφοδοσίας (εικ. D)

Εάν το εργαλείο δεν είναι εξοπλισμένο με καλώδιο ρεύματος, θα χρειαστεί να συνδέσετε ένα καλώδιο προέκτασης στην υποδοχή εισόδου τροφοδοσίας του εργαλείου.

- Συνδέστε το θηλυκό βύσμα ενός κατάλληλου καλωδίου προέκτασης στην υποδοχή εισόδου τροφοδοσίας του εργαλείου.
- Περάστε το καλώδιο στο γάντζο συγκράτησης καλωδίου (11), όπως φαίνεται στην εικόνα, για να αποτραπεί τυχόν αποσύνδεση του καλωδίου προέκτασης κατά τη χρήση.
- Συνδέστε το βύσμα ρεύματος στην πρίζα.

**Προειδοποίηση!** Το καλώδιο προέκτασης πρέπει να είναι κατάλληλο για χρήση σε εξωτερικούς χώρους. Όταν χρησιμοποιείτε μπαλαντέζα, πάντα να ξεδιπλώνετε το καλώδιο εντελώς.

## Αναπόφευκτοι κίνδυνοι

Μπορεί να προκληθούν επιπρόσθετοι αναπόφευκτοι κίνδυνοι όταν χρησιμοποιείτε το εργαλείο οι οποίοι μπορεί να μη συμπεριλαμβάνονται στις προειδοποιήσεις ασφαλείας που εσωκλείονται. Αυτοί οι κίνδυνοι μπορεί να προκληθούν από κακή χρήση, παρατεταμένη χρήση κτλ.

Ακόμα και με την τήρηση των σχετικών κανονισμών ασφαλείας και τη χρήση μέσων προστασίας, ορισμένοι κίνδυνοι δεν είναι δυνατό να εξαλειφθούν. Αυτοί περιλαμβάνουν:

- ♦ Τραυματισμούς από το άγγιγμα των περιστρεφόμενων/κινούμενων μερών.
- ♦ Τραυματισμούς από αλλαγή οποιωνδήποτε εξαρτημάτων, λεπίδων ή αξεσουάρ.
- ♦ Τραυματισμούς από παρατεταμένη χρήση του εργαλείου. Όταν χρησιμοποιείτε οποιοδήποτε εργαλείο για παρατεταμένες χρονικές περιόδους βεβαιωθείτε ότι κάνετε τακτικά διαλείμματα.
- ♦ Προβλήματα ακοής.
- ♦ Κίνδυνοι στην υγεία που προκαλούνται από την εισπνοή σκόνης όταν χρησιμοποιείτε το εργαλείο (παραδείγματα: όταν επεξεργάζεστε ξύλο, ειδικά δρυς, οξιά και MDF).

## Χρήση

**Προειδοποίηση!** Αφήστε το εργαλείο να λειτουργήσει με το δικό του ρυθμό. Μην το υπερφορτώνετε.

- ♦ Πριν από τη χρήση, ελέγξτε προσεκτικά το εργαλείο και το καλώδιο ρεύματος για τυχόν ζημιές. Δώστε ιδιαίτερη προσοχή στα προστατευτικά, τους διακόπτες και τα διάφορα εξαρτήματα.
- ♦ Βεβαιωθείτε ότι το εργαλείο χρησιμοποιείται όπως προβλέπεται και ότι εκτελεί τη λειτουργία για την οποία προορίζεται.
- ♦ Μη χρησιμοποιείτε το εργαλείο εάν έχει υποστεί ζημιά ή είναι ελαττωματικό.
- ♦ Μη χρησιμοποιείτε το εργαλείο εάν ο διακόπτης δεν μπορεί να το ενεργοποιήσει και να το απενεργοποιήσει.
- ♦ Εάν το ηλεκτρικό εργαλείο υποστεί ζημιά, δώστε το για επισκευή σε ένα εξουσιοδοτημένο κέντρο επισκευών. Μην επιχειρήσετε ποτέ να κάνετε οποιαδήποτε επισκευή εσείς ο ίδιος.
- ♦ Καθοδηγείτε προσεκτικά το καλώδιο ώστε να αποφευχθεί το ενδεχόμενο να κοπεί κατά λάθος. Ένας καλός τρόπος για να έχετε τον έλεγχο του καλωδίου είναι να το περάσετε στον ώμο σας.
- ♦ Για την ασφάλειά σας, αυτό το εργαλείο είναι εξοπλισμένο με διπλό σύστημα ενεργοποίησης. Αυτό το σύστημα εμποδίζει τη μη θηλελημένη ενεργοποίηση του εργαλείου και επιτρέπει τη

λειτουργία του εργαλείου μόνο εφόσον το κρατάτε και με τα δύο χέρια.

## Ενεργοποίηση και απενεργοποίηση του εργαλείου

### Ενεργοποίηση

Κρατήστε την μπροστινή λαβή (1) με το ένα χέρι έτσι ώστε ο διακόπτης της μπροστινής λαβής (2) να πιέζεται μέσα στο κυρίως σώμα του εργαλείου. Με το άλλο σας χέρι, πιέστε το διακόπτη-σκανδάλη (3) για να τεθεί σε λειτουργία το εργαλείο.

### Απενεργοποίηση

Απελευθερώστε το διακόπτη της μπροστινής λαβής (2) ή το διακόπτη-σκανδάλη (3).

**Προειδοποίηση!** Μην επιχειρήσετε ποτέ να ασφαλίσετε ένα διακόπτη στη θέση ενεργοποίησης (ON).

### Συμβουλές για άριστη χρήση

- ♦ Ξεκινήστε την κοπή από το πάνω μέρος του φυτικού φράχτη. Γείρετε ελαφρά το εργαλείο (έως 15° ως προς τη γραμμή κοπής) έτσι ώστε οι μύτες των λεπίδων να είναι στραμμένες ελαφρά προς το φυτικό φράχτη (εικ. Ε). Αυτό επιτρέπει στις λεπίδες να κόβουν πιο αποτελεσματικά. Κρατήστε το εργαλείο στην επιθυμητή γωνία και μετακινήστε το σταθερά κατά μήκος της γραμμής κοπής. Η λεπίδα διπλής κόφης επιτρέπει την κοπή και προς τις δύο κατευθύνσεις.
- ♦ Για να επιτύχετε πολύ ίσια κοπή, δέστε ένα κομμάτι σπάγγου τενωμένο κατά μήκος του φυτικού φράχτη, στο επιθυμητό ύψος. Χρησιμοποιήστε το σπάγγο ως καθοδηγητική ένδειξη, κόβοντας ακριβώς πάνω από αυτόν.
- ♦ Για να επιτύχετε επίπεδες πλευρές, κόψτε προς τα πάνω προς την κατεύθυνση της βλάστησης. Τα πιο νεαρά κοτσάνια μετακινούνται προς τα έξω όταν η λεπίδα κβεί προς τα κάτω, δημιουργώντας επιφανειακά "μπαλώματα" στο φυτικό φράχτη (εικ. F).
- ♦ Προσέχετε ώστε να αποφεύγετε τυχόν ξένα σώματα. Ειδικότερα, να αποφεύγετε σκληρά αντικείμενα, όπως π.χ. μεταλλικά σύρματα και κιγκλιδώματα, καθώς αυτά μπορεί να προκαλέσουν ζημιά στις λεπίδες.
- ♦ Λιπαίνετε τακτικά τις λεπίδες.

### Γενικές οδηγίες κοπής και περιποίησης (H.B. & Ιρλανδία)

- ♦ Στην περίπτωση φυλλοβόλων φυτικών φραχτών και θάμνων (δηλ. με καινούριο φύλλωμα κάθε χρόνο), εκτελείτε κοπή τον Ιούνιο και τον Οκτώβριο.
- ♦ Στην περίπτωση αιθαλών φυτών, εκτελείτε κοπή τον Απρίλιο και τον Αύγουστο.
- ♦ Τέλος, στην περίπτωση κωνοφόρων και άλλων θάμνων με γρήγορη ανάπτυξη της βλάστησης, εκτελείτε κοπή κάθε έξι εβδομάδες από το Μάιο μέχρι τον Οκτώβριο.



## Γενικές οδηγίες κοπής και περιποίησης (Αυστραλία & Νέα Ζηλανδία)

- ◆ Στην περίπτωση φυλλοβόλων φυτικών φραχτών και θάμνων (δηλ. με καινούριο φύλλωμα κάθε χρόνο), εκτελείτε κοπή το Δεκέμβριο και το Μάρτιο.
- ◆ Στην περίπτωση αειθαλών φυτών, εκτελείτε κοπή το Σεπτέμβριο και το Φεβρουάριο.
- ◆ Τέλος, στην περίπτωση κωνοφόρων και άλλων θάμνων με γρήγορη ανάπτυξη της βλάστησης, εκτελείτε κοπή κάθε έξι εβδομάδες από τον Οκτώβριο μέχρι το Μάρτιο.

## Συντήρηση

Αυτό το εργαλείο της Black & Decker έχει σχεδιαστεί έτσι ώστε να λειτουργεί για μεγάλο χρονικό διάστημα με την ελάχιστη δυνατή συντήρηση. Η αδιάλειπτη και ικανοποιητική λειτουργία του εργαλείου εξαρτάται από τη φροντίδα και τον τακτικό καθαρισμό του.

**Προειδοποίηση!** Πριν από κάθε εργασία συντήρησης πρέπει να θέσετε το εργαλείο εκτός λειτουργίας και να το βγάξετε από την πρίζα.

- ◆ Μετά τη χρήση, καθαρίζετε τις λεπίδες. Μετά τον καθαρισμό, περάστε τις λεπίδες με ένα λεπτό στρώμα λαδιού μηχανής για την προστασία τους από τη σκουριά.
- ◆ Να καθαρίζετε τακτικά τις εγκοπές εξαερισμού του εργαλείου με μια μαλακή, στεγνή βούρτσα ή με στεγνό πανί.
- ◆ Να καθαρίζετε τακτικά το περίβλημα του μοτέρ με ένα καθαρό και υγρό πανί. Μη χρησιμοποιείτε λειαντικά καθαριστικά ή υγρά καθαρισμού που περιέχουν διαλυτικά.
- ◆ Βεβαιωθείτε ότι δεν υπάρχουν άχρηστα υπολείμματα σε όλους τους διακόπτες πριν και μετά τη χρήση.

## Αφαίρεση του προστατευτικού (εικ. Β)

**Προειδοποίηση!** Αφαιρείτε το προστατευτικό μόνο για σκοπούς σέρβις. Μετά το σέρβις, τοποθετείτε πάντα το προστατευτικό στη θέση του.

- ◆ Αφαιρέστε τις βίδες (8).
- ◆ Σύρετε και αφαιρέστε το προστατευτικό (6) από το εργαλείο.

## Αντιμέτωπιση προβλημάτων

Εάν το εργαλείο δε λειτουργεί σωστά, ελέγξτε τα εξής:

Πρόβλημα	Πιθανή αιτία	Ενέργεια
Το εργαλείο δεν ενεργοποιείται	Καμμένη ασφάλεια	Αντικαταστήστε την ασφάλεια
	Διακοπή λειτουργίας της συσκευής RCD	Ελέγξτε τη συσκευή RCD
	Το καλώδιο ρεύματος έχει αποσυνδεθεί	Ελέγξτε την παροχή ρεύματος από το ηλεκτρικό δίκτυο

## Προστασία του περιβάλλοντος



Ξεχωριστή περισυλλογή. Αυτό το προϊόν δεν πρέπει να απορρίπτεται μαζί με τα κοινά οικιακά απορρίμματα.

Εάν κάποια μέρα διαπιστώσετε ότι το προϊόν σας Black & Decker χρειάζεται αντικατάσταση, ή ότι δεν το χρειάζεστε άλλο, μην το απορρίψετε μαζί με τα κοινά οικιακά απορρίμματα αλλά κάντε αυτό το προϊόν διαθέσιμο για ξεχωριστή περισυλλογή.



Η ξεχωριστή περισυλλογή των μεταχειρισμένων προϊόντων και των υλικών συσκευασίας επιτρέπει την ανακύκλωση και επαναχρησιμοποίηση των υλικών. Με την επαναχρησιμοποίηση των ανακυκλωμένων υλικών αποτρέπεται η μόλυνση του περιβάλλοντος και μειώνεται η ζήτηση πρώτων υλών.

Οι κανονισμοί που ισχύουν στην περιοχή σας ενδέχεται να προβλέπουν την ξεχωριστή περισυλλογή των ηλεκτρικών συσκευών που προέρχονται από νοικοκυριά σε κρατικές εγκαταστάσεις ή από τον έμπορο όταν αγοράσετε ένα καινούργιο προϊόν.

Η Black & Decker δίνει τη δυνατότητα ανακύκλωσης των προϊόντων της που έχουν συμπληρώσει τη διάρκεια ζωής τους. Για να χρησιμοποιήσετε αυτήν την υπηρεσία, επιστρέψτε το προϊόν σας σε οποιοδήποτε εξουσιοδοτημένο κέντρο επισκευών, όπου θα το παραλάβουν εκ μέρους μας.

Ενημερωθείτε για το πλησιέστερο εξουσιοδοτημένο κέντρο επισκευών της περιοχής σας, επικοινωνώντας με τα γραφεία της Black & Decker στη διεύθυνση που αναγράφεται στο εγχειρίδιο. Επίσης, μια λίστα με τα εξουσιοδοτημένα κέντρα επισκευών της Black & Decker και πλήρεις λεπτομέρειες που παρέχονται μετά την πώληση, υπάρχουν στο Διαδίκτυο στη διεύθυνση: [www.2helpU.com](http://www.2helpU.com).

## Τεχνικά χαρακτηριστικά

	GT5026 ΤΥΠΟΣ 1	GT6025 ΤΥΠΟΣ 1	GT6026 ΤΥΠΟΣ 1	GT6030 ΤΥΠΟΣ 1	GT6530 ΤΥΠΟΣ 1	GT7026 ΤΥΠΟΣ 1	GT7030 ΤΥΠΟΣ 1
Τάση	Vac 230	230	230	230	230	230	230
Ισχύς εισόδου	W 600	600	650	650	350	700	700
Αριθμός διαδρομών λεπίδας (χωρίς φορτίο)	min-1 1400	1400	1400	1400	1400	1400	1400
Μήκος λεπίδας	cm 50	60	60	60	65	70	70
Διάκενο μεταξύ των λεπίδων	mm 26	26	26	30	30	26	30
Χρόνος φρεναρίσματος λεπίδας	s <1.0	<1.0	<1.0	<1.0	<1.0	<1.0	<1.0
Βάρος (χωρίς το καλώδιο τροφοδοσίας)	kg 4.9	4.9	4.9	4.9	4.9	4.9	4.9

Οι συνολικές τιμές δόνησης (διανυσματικό άθροισμα τριών αξόνων) καθορίστηκαν σύμφωνα με το πρότυπο EN 60745:  
 Τιμή εκπομπής δόνησης ( $a_h$ ) 4.6 m/s<sup>2</sup>,  
 αβεβαιότητα (K) 1.5 m/s<sup>2</sup>

## Δήλωση συμμόρφωσης με την Ευρωπαϊκή Κοινότητα

ΟΔΗΓΙΑ ΠΕΡΙ ΜΗΧΑΝΗΜΑΤΩΝ  
ΟΔΗΓΙΑ ΓΙΑ ΘΟΡΥΒΟΥΣ ΣΕ ΕΞΩΤΕΡΙΚΟΥΣ ΧΩΡΟΥΣ



**GT5026, GT6025, GT6026, GT6030, GT6530,  
GT7026, GT7030**

Η Black & Decker δηλώνει ότι τα προϊόντα αυτά που περιγράφονται στα "τεχνικά χαρακτηριστικά" συμμορφώνονται με την:  
98/37/ΕΚ (έως 28 Δεκ. 2009),  
2006/42/ΕΚ (από 29 Δεκ. 2009),  
EN60745-1, EN60745-2-15

2000/14/ΕΚ, θαμνοκοπτικό, Παράρτημα V,

Στάθμη ηχητικής ισχύος σύμφωνα με 2000/14/ΕΚ (Άρθρο 13, Παράρτημα III,  $L \leq 50\text{cm}$ ):  
 $L_{WA}$  (μετρημένη ηχητική ισχύς) 97 db  
αβεβαιότητα (K) 3 dB(A)  
 $L_{WA}$  (εγγυημένη ηχητική ισχύς) 102 db  
αβεβαιότητα (K) 3 dB(A)

Αυτά τα προϊόντα συμμορφώνονται επίσης με την Οδηγία 2004/108/ΕΚ. Για περισσότερες πληροφορίες, παρακαλείσθε να επικοινωνήσετε με την Black & Decker στην παρακάτω διεύθυνση ή να ανατρέξετε στο πίσω μέρος του εγχειριδίου.

Ο κάτωθι υπογεγραμμένος είναι υπεύθυνος για την κατάρτιση του τεχνικού φακέλου και δηλώνει τα παρόντα εκ μέρους της Black & Decker.

Kevin Hewitt  
Vice-President Global Engineering  
Black & Decker Europe,  
210 Bath Road, Slough,  
Berkshire, SL1 3YD  
Ηνωμένο Βασίλειο  
24-11-2009

## Εγγύηση

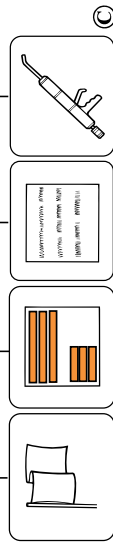
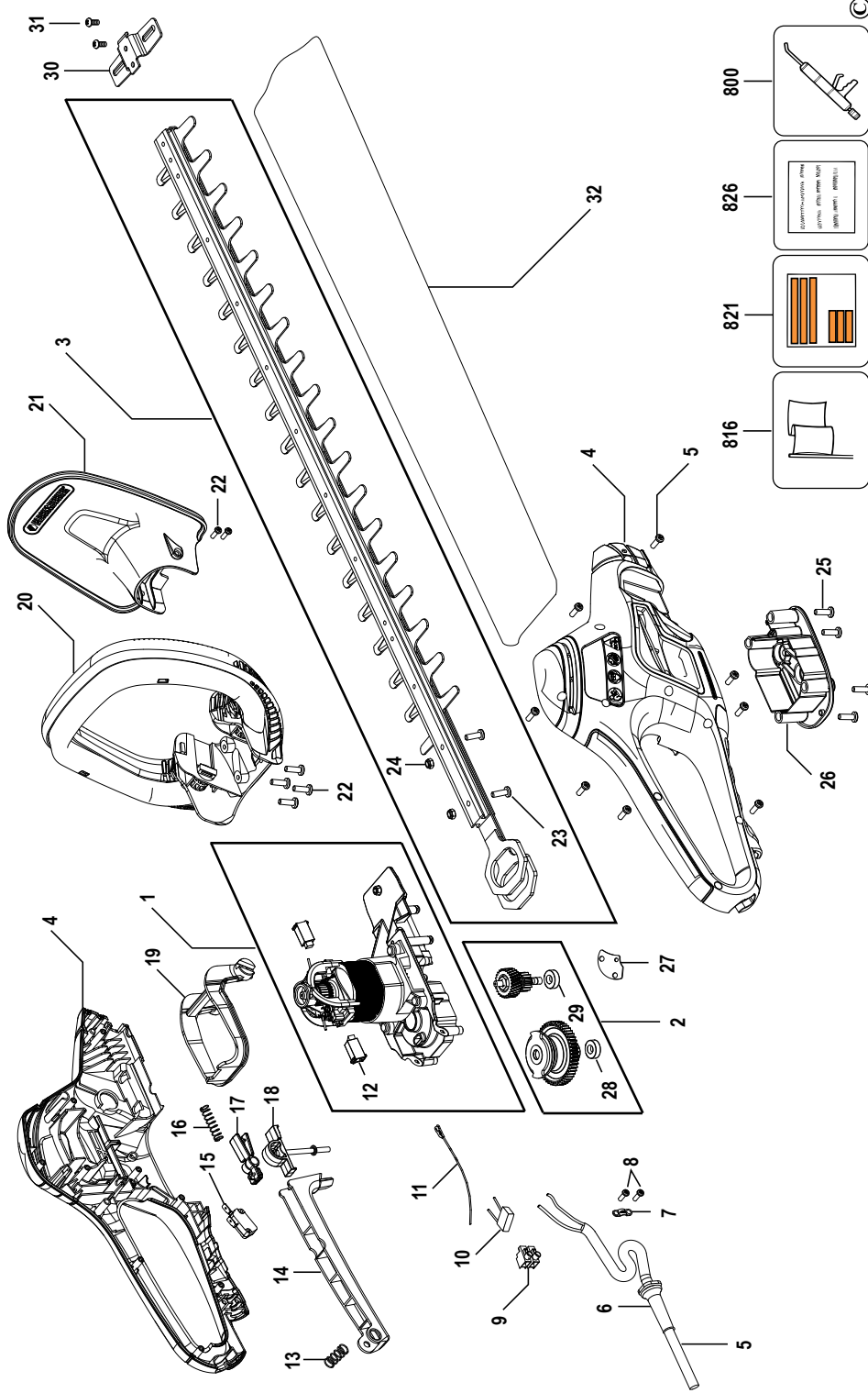
Η Black & Decker είναι σίγουρη για την ποιότητα των προϊόντων της και παρέχει σημαντική εγγύηση. Η παρούσα γραπτή εγγύηση αποτελεί πρόσθετο δικαίωμά σας και δεν ζημιώνει τα νόμιμα δικαιώματά σας. Η εγγύηση ισχύει εντός της επικράτειας των Κρατών Μελών της Ευρωπαϊκής Ένωσης και της Ευρωπαϊκής Ζώνης Ελευθέρων Συναλλαγών.

Σε περίπτωση που κάποιο προϊόν της Black & Decker παρουσιάσει βλάβη εξαιτίας ελαττωματικών υλικών, ποιότητας εργασίας ή έλλειψης συμφωνίας με τις προδιαγραφές εντός 24 μηνών από την ημερομηνία αγοράς, η Black & Decker εγγυάται την αντικατάσταση των ελαττωματικών τμημάτων, την επισκευή προϊόντων που έχουν υποστεί εύλογη φθορά λόγω χρήσης ή την αντικατάσταση των προϊόντων προκειμένου να εξασφαλίσει την ελάχιστη ενόχληση στους πελάτες της, εκτός εάν:

- ◆ Το προϊόν έχει χρησιμοποιηθεί σε εργασιακό, επαγγελματικό περιβάλλον ή έχει ενοικιαστεί.
- ◆ Έχει γίνει εσφαλμένη χρήση του προϊόντος ή έχει παραμεληθεί.
- ◆ Το προϊόν έχει υποστεί βλάβη από άλλα αντικείμενα, από ουσίες ή λόγω ατυχήματος.
- ◆ Έχει γίνει προσπάθεια επισκευής από μη εξουσιοδοτημένα κέντρα επισκευών ή από προσωπικό που δεν ανήκει στο προσωπικό της Black & Decker.

Για να ισχύσει η εγγύηση, πρέπει να υποβάλετε απόδειξη αγοράς στον πωλητή ή το εξουσιοδοτημένο κέντρο επισκευών. Ενημερωθείτε για το πλησιέστερο εξουσιοδοτημένο κέντρο επισκευών της περιοχής σας, επικοινωνώντας με τα γραφεία της Black & Decker στη διεύθυνση που αναγράφεται στο εγχειρίδιο. Επίσης, μια λίστα με τα εξουσιοδοτημένα κέντρα επισκευών της Black & Decker και πλήρεις λεπτομέρειες που παρέχονται μετά την πώληση, υπάρχουν στο Διαδίκτυο στη διεύθυνση: [www.2helpU.com](http://www.2helpU.com).

Παρακαλούμε επισκεφθείτε την ιστοσελίδα μας [www.blackanddecker.eu](http://www.blackanddecker.eu) για να καταχωρήσετε το νέο σας προϊόν Black & Decker και για να ενημερώνεστε για τα νέα προϊόντα και τις ειδικές προσφορές. Περισσότερες πληροφορίες σχετικά με τη μάρκα Black & Decker και τη σειρά των προϊόντων μας θα βρείτε στη διεύθυνση [www.blackanddecker.eu](http://www.blackanddecker.eu).



816 821 826 800



ENGLISH

**Do not forget to register your product!**  
**[www.blackanddecker.co.uk/productregistration](http://www.blackanddecker.co.uk/productregistration)**

Register your product online at **[www.blackanddecker.co.uk/productregistration](http://www.blackanddecker.co.uk/productregistration)** or send your name, surname and product code to Black & Decker in your country.

DEUTSCH

**Vergessen Sie nicht, Ihr Produkt registrieren zu lassen!**  
**[www.blackanddecker.de/productregistration](http://www.blackanddecker.de/productregistration)**

Lassen Sie Ihr Produkt unter **[www.blackanddecker.de/productregistration](http://www.blackanddecker.de/productregistration)** online registrieren oder schicken Sie Ihren Nachnamen, Vornamen und den Produktcode an Black & Decker in Ihrem Land.

FRANÇAIS

**N'oubliez pas d'enregistrer votre produit !**  
**[www.blackanddecker.fr/productregistration](http://www.blackanddecker.fr/productregistration)**

Enregistrez votre produit en ligne sur **[www.blackanddecker.fr/productregistration](http://www.blackanddecker.fr/productregistration)** ou envoyez vos nom, prénom et code produit à Black & Decker dans votre pays.

ITALIANO

**Non dimenticate di registrare il prodotto!**  
**[www.blackanddecker.it/productregistration](http://www.blackanddecker.it/productregistration)**

Registrate il prodotto online su **[www.blackanddecker.it/productregistration](http://www.blackanddecker.it/productregistration)** o inviate nome, cognome e codice del prodotto al centro Black & Decker del vostro paese.

NEDERLANDS

**Vergeet niet uw product te registreren!**  
**[www.blackanddecker.nl/productregistration](http://www.blackanddecker.nl/productregistration)**

U kunt uw product online registreren op **[www.blackanddecker.nl/productregistration](http://www.blackanddecker.nl/productregistration)** of u kunt uw voornaam, achternaam en productcode opsturen naar Black & Decker in uw land.

ESPAÑOL

**¡No olvide registrar su producto!**  
**[www.blackanddecker.es/productregistration](http://www.blackanddecker.es/productregistration)**

Registre su producto on-line en **[www.blackanddecker.es/productregistration](http://www.blackanddecker.es/productregistration)** o envíe su nombre, apellidos y código de producto a Black & Decker en su país.

PORTUGUÊS

**Não se esqueça de registrar o seu produto!**  
**[www.blackanddecker.pt/productregistration](http://www.blackanddecker.pt/productregistration)**

Registe o seu produto online em **[www.blackanddecker.pt/productregistration](http://www.blackanddecker.pt/productregistration)** ou envie o seu nome, apelido e código do produto para a Black & Decker no seu país.

SVENSKA

**Glöm inte att registrera produkten!**  
**[www.blackanddecker.se/productregistration](http://www.blackanddecker.se/productregistration)**

Registrera produkten online på **[www.blackanddecker.se/productregistration](http://www.blackanddecker.se/productregistration)** eller skicka namn och produktkod till Black & Decker i landet du bor i.

NORSK

**Ikke glem å registrere produktet ditt!**  
**[www.blackanddecker.no/productregistration](http://www.blackanddecker.no/productregistration)**

Registrer produktet ditt online på **[www.blackanddecker.no/productregistration](http://www.blackanddecker.no/productregistration)**, eller send ditt navn, etternavn og produktkode til Black & Decker i ditt eget land.

DANSK

**Glem ikke at registrere dit produkt!**  
**[www.blackanddecker.dk/productregistration](http://www.blackanddecker.dk/productregistration)**

Registrer dit produkt på internettet på: **[www.blackanddecker.dk/productregistration](http://www.blackanddecker.dk/productregistration)** eller send dit navn, efternavn og produktkode til Black & Decker i dit eget land.

SUOMI

**Muistathan rekisteröidä tuotteesi!**  
**[www.blackanddecker.fi/productregistration](http://www.blackanddecker.fi/productregistration)**

Rekisteröi tuotteesi verkossa osoitteessa **[www.blackanddecker.fi/productregistration](http://www.blackanddecker.fi/productregistration)** tai lähetä etunimesi, sukunimesi ja tuotekoodi oman maasi Black & Decker -edustajalle.

ΕΛΛΗΝΙΚΑ

**Μην ξεχάσετε να καταχωρίσετε το προϊόν σας!**  
**[www.blackanddecker.gr/productregistration](http://www.blackanddecker.gr/productregistration)**

Καταχωρίστε το προϊόν σας σε σύνδεση στη σελίδα **[www.blackanddecker.gr/productregistration](http://www.blackanddecker.gr/productregistration)** ή στείλτε το όνομα, επίθετο σας και τον κωδικό πριονωτός στη Black & Decker στη χώρα σας.

<b>België/Belgique</b>	Black & Decker (Belgium) N.V. Nieuwlandlaan 321 3200 Aarschot	Tel. Fax	016 68 91 00 016 68 91 11
<b>Danmark</b>	Black & Decker Sluseholmen 2-4, 2450 København SV Internet: <a href="http://www.blackanddecker.dk">www.blackanddecker.dk</a>	Tel. Fax	70 20 15 10 70 22 49 10
<b>Deutschland</b>	Black & Decker GmbH Black & Decker Str. 40, D - 65510 Idstein	Tel. Fax	06126/21 - 0 06126/21 29 80
<b>Ελλάδα</b>	Black & Decker (Ελλάς) A.E. Στράβωνος 7 & Λεωφ. Βουλιαγμένης 159 166 74 Γλυφάδα - Αθήνα	Τηλ. Φαξ www.blackanddecker.eu	210 8981616 210 8983285
<b>España</b>	Black & Decker Ibérica, S.C.A. Parc de Negocis "Mas Blau" Edificio Muntadas, c/Bergadá, 1, Of. A6 08820 El Prat de Llobregat (Barcelona)	Tel. Fax	934 797 400 934 797 419
<b>France</b>	Black & Decker (France) S.A.S. B.P. 21, 69571 Dardilly Cédex	Tel. Fax	04 72 20 39 20 04 72 20 39 00
<b>Helvetia</b>	ROFO AG Gewerbezone Seeblick 3213 Kleinbösingen	Tel. Fax	026-6749391 026-6749394
<b>Italia</b>	Black & Decker Italia SpA Viale Elvezia 2 20052 Monza (MI)	Tel. Fax Numero verde	039-23871 039-2387592/2387594 800-213935
<b>Nederland</b>	Black & Decker Benelux Joulehof 12, 4622 RG Bergen op Zoom	Tel. Fax	0164 - 283000 0164 - 283100
<b>Norge</b>	Black & Decker (Norge) A/S Postboks 4814, Nydalen, 0422 Oslo Internet: <a href="http://www.blackanddecker.no">www.blackanddecker.no</a>	Tlf. Fax	22 90 99 00 22 90 99 01
<b>Österreich</b>	Black & Decker Vertriebsges.m.b.H Oberlaaerstraße 246, A1100 Wien	Tel. Fax	01 66116-0 01 66116-14
<b>Portugal</b>	Black & Decker Rua Egas Moniz 173 S. João do Estoril 2766-651 Estoril	Tel. Fax	214667500 214667580
<b>Suomi</b>	Black & Decker Oy Keilasatama 3, 02150 Espoo Black & Decker Oy, Kägelhamnen 3, 02150 Esbo	Puh. Faksi Tel. Fax	010 400 430 (09) 2510 7100 010 400 430 (09) 2510 7100
<b>Sverige</b>	Black & Decker AB Fabriksg. 7, 412 50 Göteborg	Tel. Fax	031-68 60 60 031-68 60 80
<b>United Kingdom</b>	Black & Decker 210 Bath Road Slough, Berkshire SL1 3YD	Tel. Fax Helpline	01753 511234 01753 551155 01753 574277
<b>Middle East &amp; Africa</b>	Black & Decker (Overseas) A.G. PB 5420, Dubai, United Arab Emirates	Tel. Fax	+971 4 2826464 +971 4 2826466