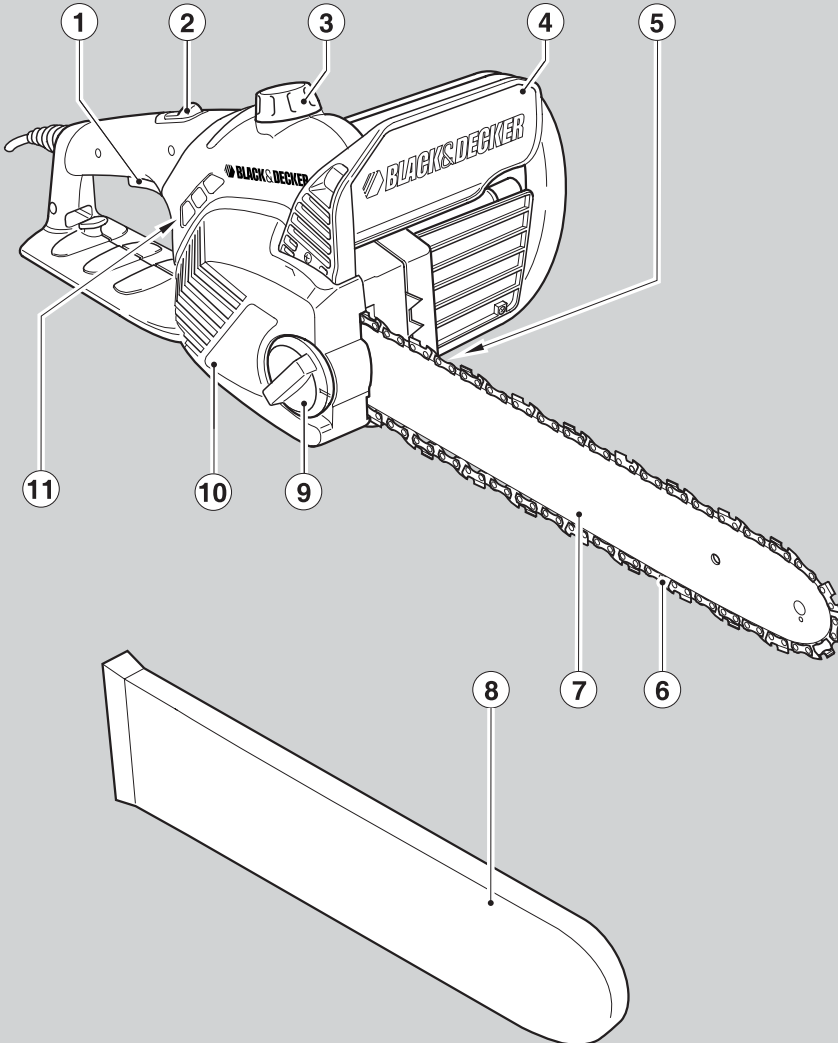


BLACK & DECKER[®]

www.blackanddecker.co.uk

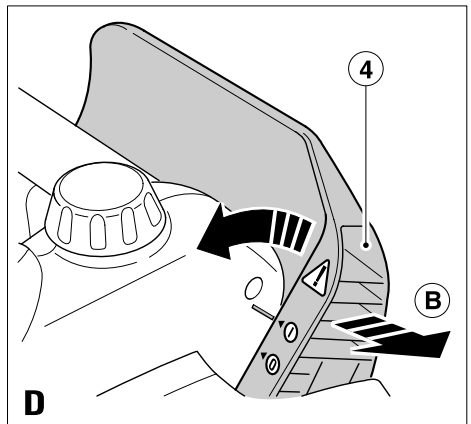
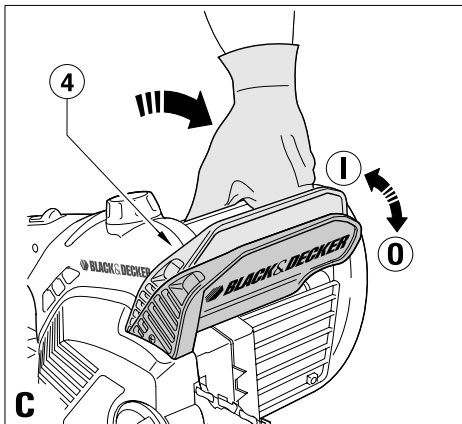
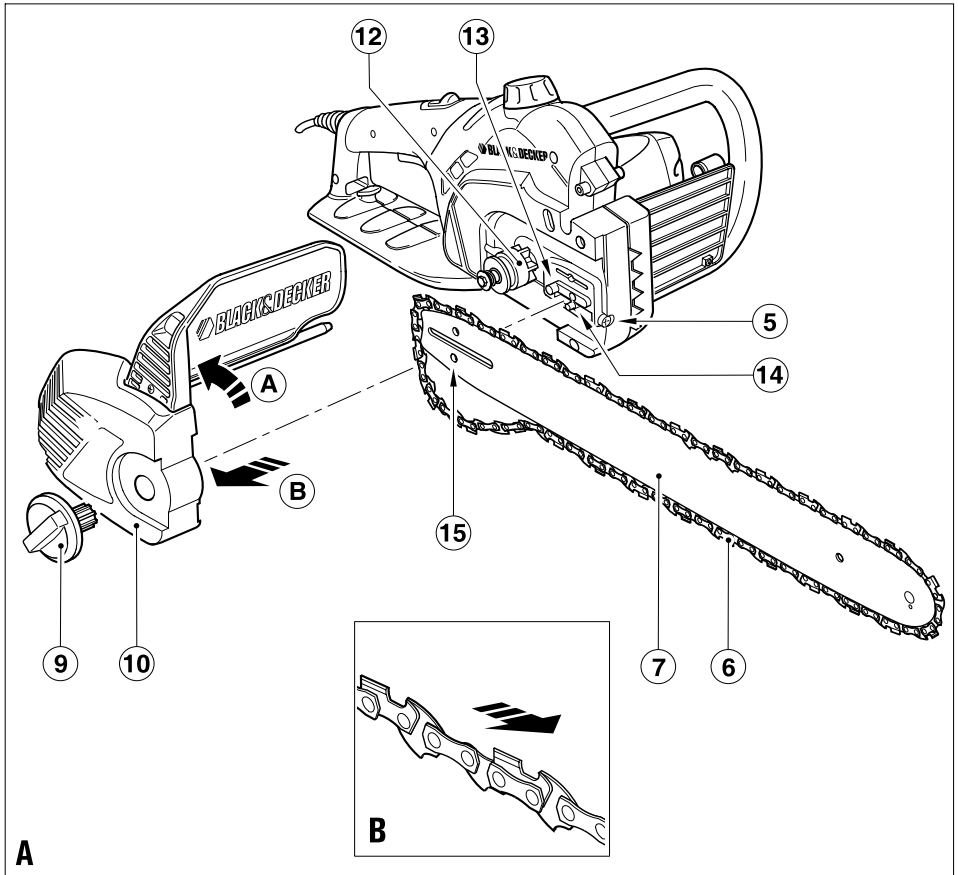


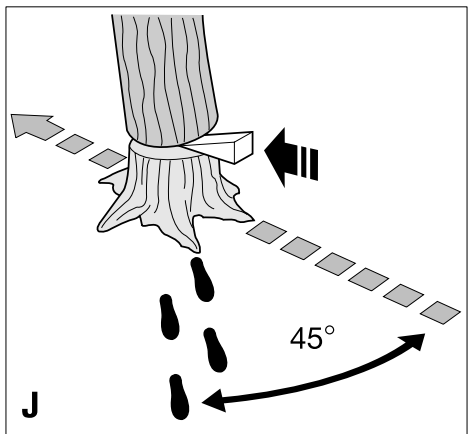
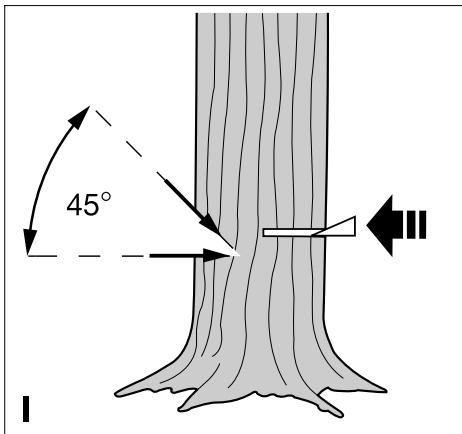
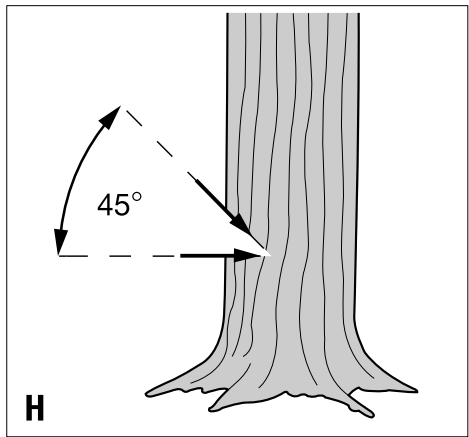
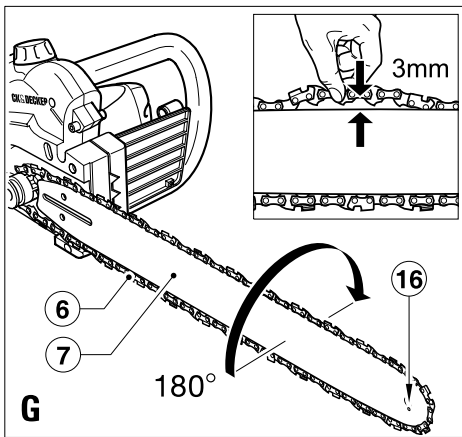
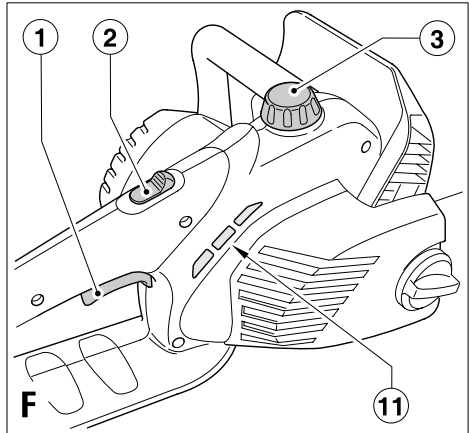
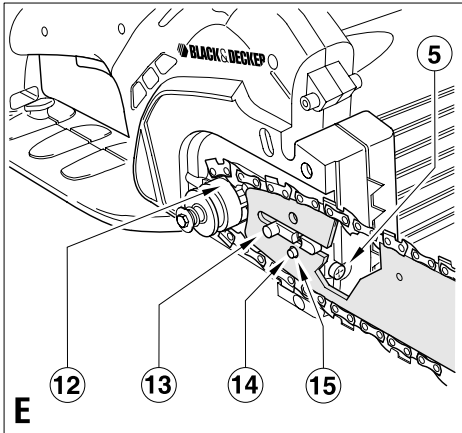
UK

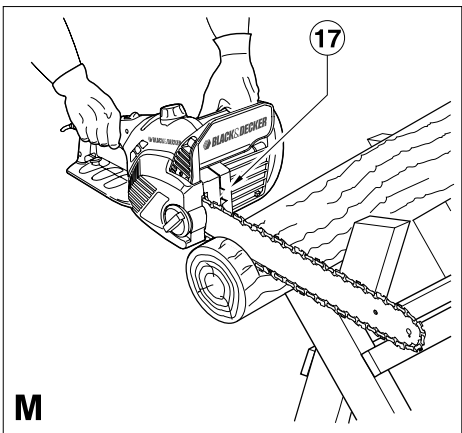
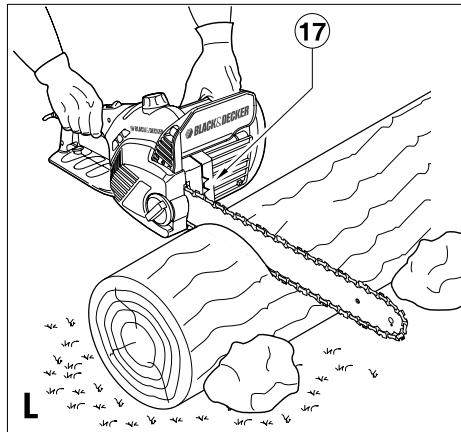
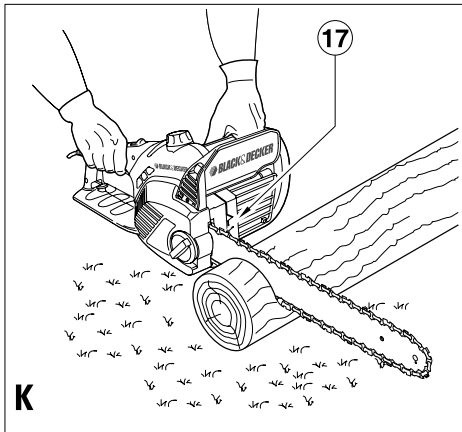
Ireland

Australia

New Zealand







Intended use

Your Black & Decker chainsaw has been designed for pruning and felling trees and cutting logs. This tool is intended for consumer use only.

General safety rules

Warning! Read all instructions. Failure to follow all instructions listed below may result in electric shock, fire and/or serious injury. The term "power tool" in all of the warnings listed below refers to your mains operated (corded) power tool or battery operated (cordless) power tool.

SAVE THESE INSTRUCTIONS.

1. Work area

- a. **Keep work area clean and well lit.** Cluttered and dark areas invite accidents.
- b. **Do not operate power tools in explosive atmospheres, such as in the presence of flammable liquids, gases or dust.** Power tools create sparks which may ignite the dust or fumes.
- c. **Keep children and bystanders away while operating a power tool.** Distractions can cause you to lose control.

2. Electrical safety

- a. **Power tool plugs must match the outlet. Never modify the plug in any way. Do not use any adapter plugs with earthed (grounded) power tools.** Unmodified plugs and matching outlets will reduce risk of electric shock.
- b. **Avoid body contact with earthed or grounded surfaces such as pipes, radiators, ranges and refrigerators.** There is an increased risk of electric shock if your body is earthed or grounded.
- c. **Do not expose power tools to rain or wet conditions.** Water entering a power tool will increase the risk of electric shock.
- d. **Do not abuse the cord. Never use the cord for carrying, pulling or unplugging the power tool. Keep cord away from heat, oil, sharp edges or moving parts.** Damaged or entangled cords increase the risk of electric shock.
- e. **When operating a power tool outdoors, use an extension cord suitable for outdoor use.** Use of a cord suitable for outdoor use reduces the risk of electric shock.

3. Personal safety

- a. **Stay alert, watch what you are doing and use common sense when operating a power tool. Do not use a power tool while you are tired or under the influence of drugs, alcohol or medication.** A moment of inattention while operating power tools may result in serious personal injury.
- b. **Use safety equipment. Always wear eye protection.** Safety equipment such as dust mask, non-skid safety shoes, hard hat, or hearing protection used for appropriate conditions will reduce personal injuries.

- c. **Avoid accidental starting. Ensure the switch is in the off position before plugging in.** Carrying power tools with your finger on the switch or plugging in power tools that have the switch on invites accidents.
 - d. **Remove any adjusting key or wrench before turning the power tool on.** A wrench or a key left attached to a rotating part of the power tool may result in personal injury.
 - e. **Do not overreach. Keep proper footing and balance at all times.** This enables better control of the power tool in unexpected situations.
 - f. **Dress properly. Do not wear loose clothing or jewellery. Keep your hair, clothing and gloves away from moving parts.** Loose clothes, jewellery or long hair can be caught in moving parts.
 - g. **If devices are provided for the connection of dust extraction and collection facilities, ensure these are connected and properly used.** Use of these devices can reduce dust related hazards
- ### 4. Power tool use and care
- a. **Do not force the power tool. Use the correct power tool for your application.** The correct power tool will do the job better and safer at the rate for which it was designed.
 - b. **Do not use the power tool if the switch does not turn it on and off.** Any power tool that cannot be controlled with the switch is dangerous and must be repaired.
 - c. **Disconnect the plug from the power source before making any adjustments, changing accessories, or storing power tools.** Such preventive safety measures reduce the risk of starting the power tool accidentally.
 - d. **Store idle power tools out of the reach of children and do not allow persons unfamiliar with the power tool or these instructions to operate the power tool.** Power tools are dangerous in the hands of untrained users.
 - e. **Maintain power tools. Check for misalignment or binding of moving parts, breakage of parts and any other condition that may affect the power tools operation. If damaged, have the power tool repaired before use.** Many accidents are caused by poorly maintained power tools.
 - f. **Keep cutting tools sharp and clean.** Properly maintained cutting tools with sharp cutting edges are less likely to bind and are easier to control.
 - g. **Use the power tool, accessories and tool bits etc., in accordance with these instructions and in the manner intended for the particular type of power tool, taking into account the working conditions and the work to be performed.** Use of the power tool for operations different from those intended could result in a hazardous situation.

5. Service

- a. **Have your power tool serviced by a qualified repair person using only identical replacement parts.** This will ensure that the safety of the power tool is maintained.

Additional safety instructions for the chainsaw

- ◆ **Keep all parts of the body away from the saw chain when the chainsaw is operating. Before you start the chainsaw, make sure the saw chain is not contacting anything.** A moment of inattention while operating the chainsaw may cause entanglement of your clothing or body with the chainsaw.
- ◆ **Always hold the chainsaw with your right hand on the rear handle and your left hand on the front handle.** Holding the chainsaw with the reversed hand configuration increases the risk of personal injury and should never be done.
- ◆ **Wear safety glasses and hearing protection. Further protective equipment for head, hands, legs and feet is recommended.** Adequate protective clothing will reduce personal injury by flying debris or accidental contact with the saw chain.
- ◆ **Do not operate a chainsaw in a tree.** Operation of a chainsaw while up in a tree may result in personal injury.
- ◆ **Always keep proper footing and operate the chainsaw only when standing on fixed, secure and level surface.** Slippery or unstable surfaces such as ladders may cause a loss of balance or control of the chainsaw.
- ◆ **When cutting a limb that is under tension be alert for spring back.** When the tension in the wood fibres is released the spring loaded limb may strike the operator and/or throw the chainsaw out of control.
- ◆ **Use extreme caution when cutting brush and saplings.** The slender material may catch the saw chain and be whipped toward you or pull you off balance.
- ◆ **Carry the chainsaw by the front handle with the chainsaw switched off and away from your body. When transporting or storing the chainsaw always fit the guide bar cover.** Proper handling of the chainsaw will reduce the likelihood of accidental contact with the moving saw chain.
- ◆ **Follow instructions for lubricating, chain tensioning and changing accessories.** Improperly tensioned or lubricated chain may either break or increase the chance for kickback.
- ◆ **Keep handles dry, clean, and free from oil and grease.** Greasy, oily handles are slippery causing loss of control.
- ◆ **Cut wood only. Do not use chainsaw for purposes not intended. For example: do not use the chainsaw for cutting plastic, masonry or non-wood building materials.** Use of the chainsaw for operations different than intended could result in a hazardous situation.

Causes and operator prevention of kickback:

Kickback may occur when the nose or tip of the guide bar touches an object, or when the wood closes in and pinches the saw chain in the cut.

Tip contact in some cases may cause a sudden reverse reaction, kicking the guide bar up and back towards the operator.

Pinching the saw chain along the top of the guide bar may push the guide bar rapidly back towards the operator.

Either of these reactions may cause you to lose control of the chainsaw which could result in serious personal injury. Do not rely exclusively upon the safety devices built into your chainsaw. As a chainsaw user, you should take several steps to keep your cutting jobs free from accident or injury.

Kickback is the result of tool misuse and / or incorrect operating procedures or conditions and can be avoided by taking proper precautions as given below:

- ◆ **Maintain a firm grip, with thumbs and fingers encircling the chainsaw handles. With both hands on the chainsaw, position your body and arm to allow you to resist kickback forces.** Kickback forces can be controlled by the operator, if proper precautions are taken. Do not let go of the chainsaw.
- ◆ **Do not overreach and do not cut above shoulder height.** This helps prevent unintended tip contact and enables better control of the chainsaw in unexpected situations.
- ◆ **Only use replacement guide bars and chains specified by the manufacturer.** Incorrect replacement guide bars and chains may cause chain breakage and/or kickback.
- ◆ **Follow the manufacturer's sharpening and maintenance instructions for the saw chain.** Decreasing the depth gauge height can lead to increased kickback.

Safety recommendations for the chainsaw

- ◆ We strongly recommend that first time users obtain practical instruction in the use of the chainsaw and protective equipment from an experienced user. Initial practice should be completed sawing logs on a saw horse or cradle.
- ◆ We recommend that when carrying the chainsaw that you make sure that the brake is engaged
- ◆ Maintain your chainsaw when not in use. Do not store your chainsaw for any length of time without first removing the saw chain and guide bar which should be kept immersed in oil. Store all parts of your chainsaw in a dry, secure place out of reach of children.
- ◆ We recommend you drain the oil reservoir prior to storage.
- ◆ Be sure of your footing and pre-plan a safe exit from a falling tree or branches.
- ◆ Use wedges to help control felling and prevent binding the guide bar and saw chain in the cut.

- ◆ Saw chain care. Keep the saw chain sharp and snug on the guide bar. Ensure the saw chain and guide bar are clean and well oiled. Keep handles dry, clean and free from oil and grease.

Kickback can be caused by:

- ◆ Striking branches or other objects accidentally with a tip of the saw while the saw chain is moving.
- ◆ Striking metal, cement or any other hard material near the wood, or buried in the wood.
- ◆ A dull or loose chain.
- ◆ Cutting above shoulder height.
- ◆ Lack of attention when holding or guiding the chainsaw while cutting.
- ◆ Over-reaching. Keep proper footing and balance at all times and do not overreach.
- ◆ Do not try to insert into a previous cut. As this could cause kickback. Make a fresh cut every time.
- ◆ We strongly recommend you do not attempt to operate your chainsaw while in a tree, on a ladder or on any other unstable surface. If you decide to do so, be advised that these positions are extremely dangerous.
- ◆ When cutting a branch that is under tension, be alert for spring back so that you will not be struck when the tension is released.

Avoid cutting:

- ◆ Prepared timber.
- ◆ Into the ground.
- ◆ Into wire fences, nails, etc.
- ◆ Into small sized brush and saplings because slender material may catch the saw chain and be whipped towards you, or pull you off balance.
- ◆ Do not use your chainsaw above shoulder height.
- ◆ Ensure someone is nearby (but at a safe distance) in case of an accident.
- ◆ If for any reason you have to touch the saw chain, make sure your chainsaw is disconnected from the mains.
- ◆ The noise from this product can exceed 85 dB(A).
- ◆ We therefore recommend you take appropriate measures for the protection of hearing.

The following warning symbols are found on your tool:



Read all of this manual carefully.



Do not use your saw in wet conditions or expose it to rain.



Always wear ear and eye protection.



Check the chain tension after every 10 minutes of use. Adjust back to a clearance of 3 mm.



Always remove the plug from the socket before inspecting a damaged cable. Be careful not to use your chainsaw if the cable is damaged.



The noise from this product can exceed 85 dB(A).

Electrical safety



This tool is double insulated; therefore no earth wire is required. Always check that the power supply corresponds to the voltage on the rating plate.

Additional safety instructions

- ◆ This appliance is not intended for use by young or infirm persons without supervision. Children must be supervised to ensure they do not play with the appliance.
- ◆ If the supply cord is damaged, it must be replaced by the manufacturer or an authorised Black & Decker Service Centre in order to avoid a hazard.

Guard against electric shock.

- ◆ Prevent body contact with earthed or grounded surfaces (e.g. metal railings, lamp-posts etc.). Electric safety can be further improved by using a high-sensitivity (30 mA/30mS) Residual Current Device (RCD).

Warning! The use of an RCD or other circuit breaker unit does not release the operator of your chainsaw from the safety instructions and safe working practices given in this user manual.

Features

1. On/off switch
2. Lock-off button
3. Oil cap
4. Front guard/chain brake assembly
5. Chain tension adjustment screw
6. Chain
7. Guide bar
8. Chain sheath
9. Chain cover knob
10. Chain cover assembly
11. Oil level indicator

Assembly

Oiling the chain (fig. A)

You must do this whenever you use a new chain (6) for the first time. Take the new chain (6) out of its plastic bag and soak it in chain oil for at least an hour before using it. Use Black & Decker chain oil

We recommend that you use only one brand of oil during the lifetime of your chainsaw because mixtures of different oils could lead to the oil becoming degraded, which can drastically shorten the lifetime of the saw chain.

Never use waste oil, thick oil or very thin sewing machine oil. These may damage your chainsaw.

Fitting the guide bar and chain (fig. A - F)



Always wear protective gloves when working on your chainsaw.

- ◆ Place the chainsaw onto a stable surface.
- ◆ Loosen and remove the chain cover knob (9) (fig. A).
- ◆ Set the front guard to position ① (fig. C).
- ◆ Remove the chain cover assembly (10).
- ◆ Place the chain (6) over the guide bar (7) making sure that the saw chain cutters on the upper part of the guide bar (7) face towards the front (fig. B).
- ◆ Guide the chain (6) around the guide bar (7) and pull it to create a loop to one side at the rear end of the guide bar (7).
- ◆ Place the chain (6) and guide bar (7) onto the chainsaw. Guide the chain (6) around the drive sprocket (12). Place the guide bar (7) onto the studs (13). Make sure that the sliding nut peg (14) locates into the tensioning hole (15) (fig. E).
- ◆ Make sure that the chain brake assembly (4) is in the set position ① before refitting (fig. C).
- ◆ Place the chain cover assembly (10) onto the chainsaw.
- ◆ Fit the chain cover knob (9) and tighten it finger tight.
- ◆ Turn the chain tension adjustment screw (5) (fig. E) clockwise until the chain is tight. Make sure that the chain is snug around the guide bar. Do not overtighten.
- ◆ Tighten the chain cover knob (9).

Checking and adjusting the chain tension (fig. E & G)

- ◆ Before use and after every 10 minutes of use, you must check the chain tension.
- ◆ Lightly pull on the chain (6) as shown (inset fig. G). The tension is correct when the chain (6) snaps back after being pulled 3 mm away from the guide bar (7). There should be no "sag" between the guide bar (7) and chain (6) on the underside

Note: Do not over-tension the chain (6) as this will lead to excessive wear and will reduce the life of the guide bar (7) and the chain (6).

Note: When the chain (6) is new, check the tension frequently (after disconnecting from the mains) during the first 2 hours of use as a new chain (6) stretches slightly.

To increase the tension:

- ◆ Turn the chain tension adjustment screw (5) clockwise.

Filling the oil reservoir (fig. F)

- ◆ Remove the oil cap (3) and fill the reservoir with the recommended chain oil. You can see the oil level in the oil level indicator (11). Refit the oil cap (3).
- ◆ Periodically switch off and check the oil level indicator (11); if it is less than a quarter full, disconnect your chainsaw from the mains and refill with the correct oil.

Auto-stop chain brake (fig. G)

- ◆ This tool is fitted with an auto-stop chain brake assembly (4) which will stop the chain (6) within 150 ms each time you release the rear trigger, or if kickback should occur. The chain brake assembly (4) should be tested before every use.

How to set the chain brake (fig. C)

- ◆ Make sure that the tool is disconnected from the mains supply.
- ◆ Pull the front guard/chain brake assembly (4) back into the "set" position marked ① (fig. C).

The tool is now ready to use.

How the anti-kickback chain brake works

In the event of kickback, your left hand comes in contact with the front guard, pushing it forwards, toward the workpiece, and stops the tool within 150 ms.

How the inertia activated chain brake works

The front guard/chain brake assembly (4) is activated when the front hand guard is pushed forward, either manually, by the back of the users hand or by its own weight. The advantage of the inertia brake is that it is activated by a severe kickback, e.g. When the chain (6) hits metal, even if the users hand does not contact the front guard, i.e. when the chainsaw is in the felling position.

How to test the anti-kickback chain brake (fig. C)

- ◆ Grip the tool firmly in both hands on a firm surface make sure the saw chain (6) is clear of the ground and switch on (see "How to switch the chainsaw on").
- ◆ Rotate your left hand forward around the front handle so that the back of your hand comes in contact with the front guard/chain brake assembly (4) and pushes it forwards, toward the workpiece (fig. C). The saw chain (6) should stop within a few fractions of a second

To reset after the operation of the front guard/chain brake assembly (4):

- ◆ Follow the instructions for "How to set the chain brake".

Note: It will not be possible to switch the tool on if the front guard/chain brake assembly (4) is not in the "set" position ①.

Note: Avoid re-starting the tool until you hear the motor come to a complete rest.

Note: If the saw chain (6) does not come to rest immediately then this indicates that it needs tensioning (see "Fitting the guide bar and chain").

How to switch the tool on (fig. F)

- ◆ Grip your chainsaw firmly with both hands. Push the lock-off button (2) forward and then push the on/off switch (1) to start.
- ◆ When the motor starts, remove your thumb from the lock button (2) and grip the handle firmly.

Do not force the tool - allow it to do the work.

It will do a better and safer job at the speed for which it is designed. Excessive force will stretch the saw chain (6).

If the saw chain (6) or guide bar (7) becomes jammed:

- ◆ Switch the tool off.
- ◆ Disconnect the tool from the mains supply.
- ◆ Open the cut with wedges to relieve the strain on the guide bar (7). Do not try to wrench the chainsaw free. Start a fresh cut.

Felling (fig. H - J)

Inexperienced users should not attempt to fell trees. The user may suffer injury or damage to property as a result of failure to control the direction of fall, the tree may splinter or damaged / dead branches may fall during cutting.

The safe distance between a tree to be felled and bystanders, buildings and other objects is at least 2 1/2 times the height of the tree. Any bystander, building or object within this distance is at risk from being struck by the tree when felled.

Before attempting to fell a tree:

- ◆ Make sure that there are no local by-laws or regulations that would prohibit or control the felling of the tree.
- ◆ Consider all conditions that may affect the direction of fall, including:
 - ◆ The intended direction of fall.
 - ◆ The natural lean of the tree.
 - ◆ Any unusual heavy limb structure or decay.
 - ◆ Surrounding trees and obstacles including overhead lines and underground drains.
 - ◆ The wind speed and direction.

Pre-plan a safe exit from falling trees or branches. Make sure that the exit route is clear of obstacles that would prevent or hinder movement. Remember wet grass and freshly cut bark is slippery.

Do not attempt to fell trees where the tree diameter is greater than the cutting length of the chainsaw.

A direction notch is cut to determine the direction of fall.

A horizontal cut is made to a depth of between 1/5th and 1/3rd of the diameter of the tree, perpendicular to the line of

fall at the base of the tree (fig. H). The second cut is made from above to intersect with the first and make a notch of about 45°.

Make a single horizontal felling cut from the other side 1-2 inches above the centre of the direction notch. (fig. I). Do not cut through to the direction notch, you could lose control of the direction of fall.

Drive a wedge or wedges into the felling cut to open it and drop the tree (fig. J).

Pruning trees

Make sure that there are no local by-laws or regulations that would prohibit or control the pruning of the tree limbs.

Pruning should only be undertaken by experienced users there is an increased risk of the saw chain pinching and kick back.

Before pruning consideration should be given to conditions affecting the direction of fall including:

- ◆ The length and weight of the branch to be cut.
- ◆ Any unusual heavy limb structure or decay.
- ◆ Surrounding trees and obstacles including overhead.
- ◆ The wind speed and direction.
- ◆ The branch being intertwined with other branches.

The operator should consider access to the tree limb and the direction of fall. The tree branch is liable to swing towards the tree trunk. In addition to the user bystanders, objects and property below the branch will be at risk.

To avoid splintering, the first cut is made in an upward direction to a maximum depth of one third the diameter of the branch. The second cut is made downwards to meet the first.

Logging (fig. K, L & M)

How you should cut depends on how the log is supported. Use a saw horse whenever possible. Always start a cut with the saw chain (6) running and the spiked bumper (17) in contact with the wood (fig. K). To complete the cut use a pivoting action of the spiked bumper against the wood.

When supported along its whole length:

- ◆ Make a downward cut, but avoid cutting the earth as this will blunt your saw chain quickly.

When supported at both ends:

- ◆ First, cut one third down to avoid splintering and second, cut again to meet the first cut,

When supported at one end:

- ◆ First cut one third up to avoid splintering and second, cut down to prevent splintering.

When on a slope (fig. L):

- ◆ Always stand on the uphill side.

When using a saw horse (fig. M):

This is strongly recommended whenever possible.

- ◆ Position the log in a stable position. Always cut on the outside of the saw horse arms. Use clamps or straps to secure the workpiece.

When attempting to cut a log on the ground secure the workpiece using chocks or wedges. The user or a bystander should not steady the log by sitting or standing on it. Ensure the saw chain does not contact the ground.

Maintenance

Regular maintenance ensures a long effective life for the tool. We recommend you make the following checks on a regular basis.

Oil level

The level in the reservoir should not be allowed to fall below a quarter full.

Saw chain and guide bar (fig. G)

- ◆ After every few hours of use, remove the guide bar (7) and the saw chain (6) and clean them thoroughly.
- ◆ On reassembling, the guide bar (7) should be turned through 180° and the sprocket nose greased via the sprocket lubrication hole (16). This ensures an even distribution of wear around the guide bar rails.

Saw chain sharpening

If you are to get the best possible performance from the tool it is important to keep the teeth of the saw chain sharp. Guidance for this procedure is found on the sharpener package. For this purpose we recommend the purchase of the Black & Decker saw chain sharpening kit (available from Black & Decker service agents and selected dealers).

Replacing worn out saw chains

Replacement saw chains are available through retailers or Black & Decker service agents. Always use genuine spare parts.

Saw chain sharpness

The saw chain cutters will blunt immediately if they touch the ground or a nail whilst cutting.

Saw chain tension

Regularly check the saw chain tension.

What to do if your chainsaw needs repair.

Your chainsaw is in accordance with the relevant safety requirements. Repairs should only be carried out by a qualified person using original spare parts otherwise this may result in considerable danger to the user. We recommend you keep this user manual in a safe place.

Mains plug replacement (U.K. & Ireland only)

If a new mains plug needs to be fitted:

- ◆ Safely dispose of the old plug.
- ◆ Connect the brown lead to the live terminal in the new plug.
- ◆ Connect the blue lead to the neutral terminal.

Warning! No connection is to be made to the earth terminal. Follow the fitting instructions supplied with good quality plugs. Recommended fuse: 10 A.

Protecting the environment



Should you find one day that your tool needs replacement, or if it is of no further use to you, think of the protection of the environment. Black & Decker repair agents will accept old Black & Decker tools and ensure that they are disposed of in an environmentally safe way.



Separate collection of used products and packaging allows materials to be recycled and used again. Re-use of recycled materials helps prevent environmental pollution and reduces the demand for raw materials.

Local regulations may provide for separate collection of electrical products from the household, at municipal waste sites or by the retailer when you purchase a new product.

Black & Decker provides a facility for the collection and recycling of Black & Decker products once they have reached the end of their working life. To take advantage of this service please return your product to any authorised repair agent who will collect them on our behalf.

You can check the location of your nearest authorised repair agent by contacting your local Black & Decker office at the address indicated in this manual. Alternatively, a list of authorised Black & Decker repair agents and full details of our after-sales service and contacts are available on the Internet at: www.2helpU.com.

Technical data

	GK1730	GK1735	GK1740	GK1930	GK1935	GK1940
Voltage (Vac)	230	230	230	230	230	230
Power input (W)	1700	1700	1700	1850	1850	1850
No load speed (min ⁻¹)	5500	5500	5500	5500	5500	5500
Max cutting length (cm)	30	35	40	30	35	40
Oil capacity (ml)	100	100	100	100	100	100
Weight (kg)	5.55	5.65	5.8	5.6	5.7	5.85
Safety class	II	II	II	II	II	II

European Community design registration no.
000417274-0001

EC declaration of conformity

GK1730; GK1735; GK1740; GK1930; GK1935; GK1940

Black & Decker declares that these products conform to:
98/37/EC. 89/336/EEC. 73/23/EEC. 2002/96/EC. 2002/95/EC.
EN 50144. EN 55014. EN61000. EN60745

2000/14/EC. Chainsaw _ 1600 w. Annex V

Level of sound pressure measured according to 2000/14/EC:

LpA (sound pressure) 94.2 dB(A)

LWA (acoustic power) 105.2 dB(A)

LWA (guaranteed) 104 dB(A)

Always wear ear protection if the sound pressure exceeds
85 dB (A).

Hand/arm weighted vibration value according to EN 60745:
3.5 m/sec²



Kevin Hewitt
Director of Consumer Engineering
Spennymoor, County Durham
DL16 6JG,
United Kingdom
31-10-2006

Guarantee

Black & Decker is confident of the quality of its products and offers an outstanding guarantee. This guarantee statement is in addition to and in no way prejudices your statutory rights. The guarantee is valid within the territories of the Member States of the European Union and the European Free Trade Area.

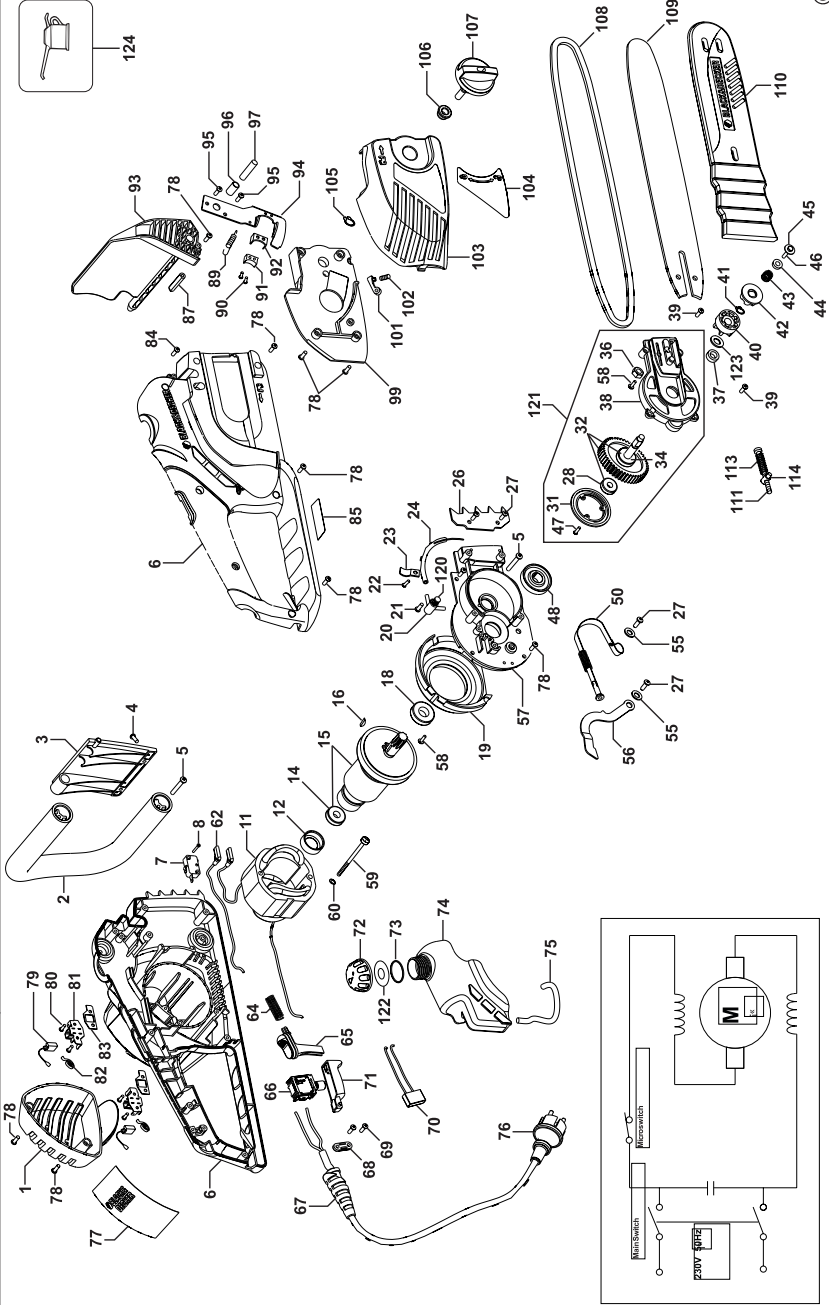
If a Black & Decker product becomes defective due to faulty materials, workmanship or lack of conformity, within 24 months from the date of purchase, Black & Decker guarantees to replace defective parts, repair products subjected to fair wear and tear or replace such products to ensure minimum inconvenience to the customer unless:

- ◆ The product has been used for trade, professional or hire purposes.
- ◆ The product has been subjected to misuse or neglect.
- ◆ The product has sustained damage through foreign objects, substances or accidents.
- ◆ Repairs have been attempted by persons other than authorised repair agents or Black & Decker service staff.

To claim on the guarantee, you will need to submit proof of purchase to the seller or an authorised repair agent. You can check the location of your nearest authorised repair agent by contacting your local Black & Decker office at the address indicated in this manual. Alternatively, a list of authorised Black & Decker repair agents and full details of our after-sales service and contacts are available on the Internet at:

www.2helpU.com

Please visit our website **www.blackanddecker.co.uk** to register your new Black & Decker product and to be kept up to date on new products and special offers. Further information on the Black & Decker brand and our range of products is available at **www.blackanddecker.co.uk**.



Australia

Black & Decker (Australia) Pty. Ltd. Tel. 03-8720 5100
20 Fletcher Road, Mooroolbark, Fax 03-9727 5940
Victoria, 3138

New Zealand

Black & Decker Tel. 09 579 7600
81 Hugo Johnston Drive Fax 09 579 8200
Penrose, Auckland, New Zealand

United Kingdom

Black & Decker Tel. 01753 511234
210 Bath Road Fax 01753 551155
Slough, Berkshire SL1 3YD Helpline 01753 574277