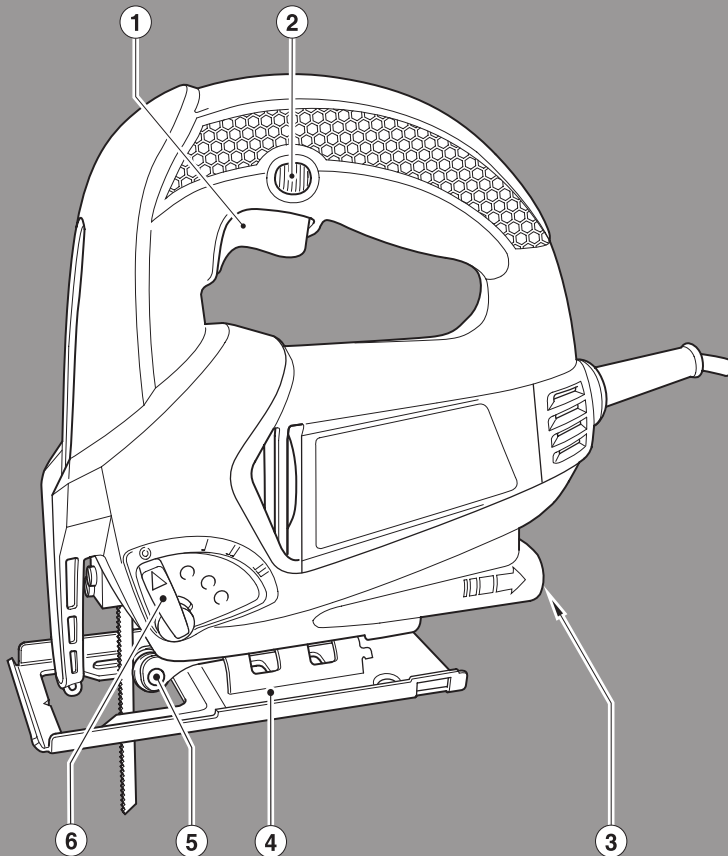


## Powerful Solutions™



AST8XC

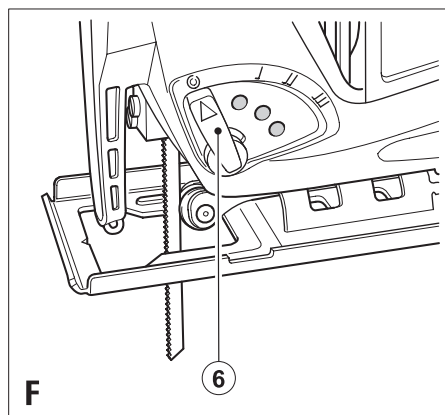
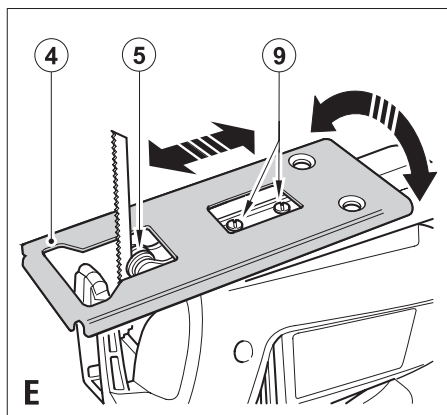
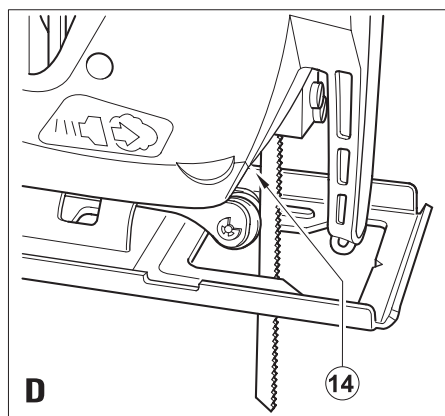
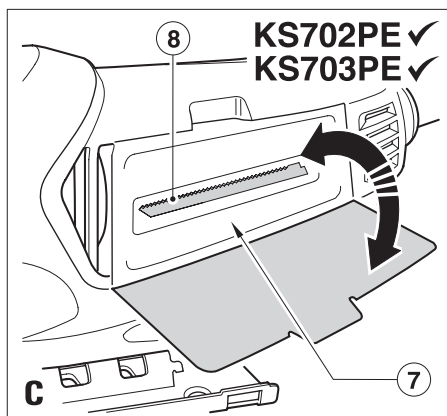
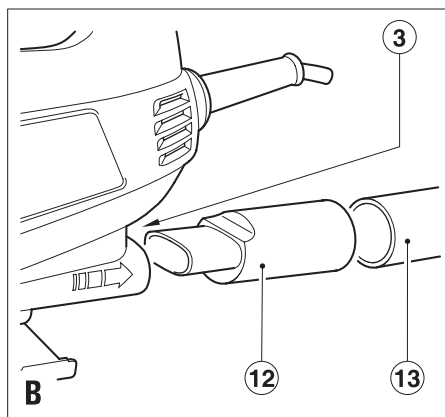
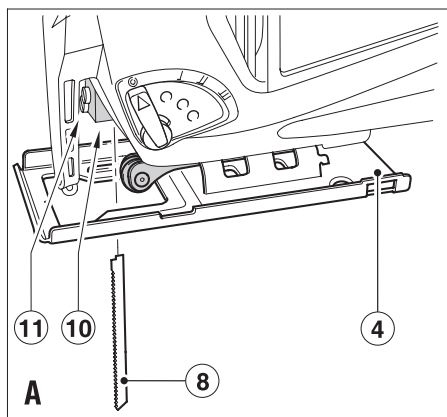
KS700PE

KS701PE

KS702PE

KS703PE

<b>English</b>	<b>(Original instructions)</b>	<b>4</b>
<b>Deutsch</b>	<b>(Übersetzung der Originalanleitung)</b>	<b>9</b>
<b>Français</b>	<b>(Traduction des instructions d'origine)</b>	<b>15</b>
<b>Italiano</b>	<b>(Traduzione delle istruzioni originali)</b>	<b>21</b>
<b>Nederlands</b>	<b>(Vertaling van de originele instructies)</b>	<b>27</b>
<b>Español</b>	<b>(Traducción de las instrucciones originales)</b>	<b>33</b>
<b>Português</b>	<b>(Tradução das instruções originais)</b>	<b>39</b>
<b>Svenska</b>	<b>(Översättning av de ursprungliga anvisningarna)</b>	<b>45</b>
<b>Norsk</b>	<b>(Oversettelse av de opprinnelige instruksjonene)</b>	<b>50</b>
<b>Dansk</b>	<b>(Oversættelse af de originale instruktioner)</b>	<b>55</b>
<b>Suomi</b>	<b>(Alkuperäisten ohjeiden käännös)</b>	<b>60</b>
<b>Ελληνικά</b>	<b>(Μετάφραση των αρχικών οδηγιών)</b>	<b>65</b>



## Intended use

Your Black & Decker jigsaw has been designed for sawing wood, plastics and sheet metal. This tool is intended for consumer use only.

## Safety instructions

### General power tool safety warnings



**Warning! Read all safety warnings and all instructions.** Failure to follow the warnings and instructions listed below may result in electric shock, fire and/or serious injury.

### Save all warnings and instructions for future reference.

The term "power tool" in all of the warnings listed below refers to your mains operated (corded) power tool or battery operated (cordless) power tool.

#### 1. Work area safety

- a. **Keep work area clean and well lit.** Cluttered or dark areas invite accidents.
- b. **Do not operate power tools in explosive atmospheres, such as in the presence of flammable liquids, gases or dust.** Power tools create sparks which may ignite the dust or fumes.
- c. **Keep children and bystanders away while operating a power tool.** Distractions can cause you to lose control.

#### 2. Electrical safety

- a. **Power tool plugs must match the outlet. Never modify the plug in any way. Do not use any adapter plugs with earthed (grounded) power tools.** Unmodified plugs and matching outlets will reduce risk of electric shock.
- b. **Avoid body contact with earthed or grounded surfaces such as pipes, radiators, ranges and refrigerators.** There is an increased risk of electric shock if your body is earthed or grounded.
- c. **Do not expose power tools to rain or wet conditions.** Water entering a power tool will increase the risk of electric shock.
- d. **Do not abuse the cord. Never use the cord for carrying, pulling or unplugging the power tool. Keep cord away from heat, oil, sharp edges or moving parts.** Damaged or entangled cords increase the risk of electric shock.
- e. **When operating a power tool outdoors, use an extension cord suitable for outdoor use.** Use of a cord suitable for outdoor use reduces the risk of electric shock.
- f. **If operating a power tool in a damp location is unavoidable, use a residual current device (RCD) protected supply.** Use of an RCD reduces the risk of electric shock.

#### 3. Personal safety

- a. **Stay alert, watch what you are doing and use common sense when operating a power tool. Do not use a power tool while you are tired or under the influence of drugs, alcohol or medication.** A moment of inattention while operating power tools may result in serious personal injury.
- b. **Use personal protective equipment. Always wear eye protection.** Protective equipment such as dust mask, non-skid safety shoes, hard hat, or hearing protection used for appropriate conditions will reduce personal injuries.
- c. **Prevent unintentional starting. Ensure the switch is in the off-position before connecting to power source and/or battery pack, picking up or carrying the tool.** Carrying power tools with your finger on the switch or energising power tools that have the switch on invites accidents.
- d. **Remove any adjusting key or wrench before turning the power tool on.** A wrench or a key left attached to a rotating part of the power tool may result in personal injury.
- e. **Do not overreach. Keep proper footing and balance at all times.** This enables better control of the power tool in unexpected situations.
- f. **Dress properly. Do not wear loose clothing or jewellery. Keep your hair, clothing and gloves away from moving parts.** Loose clothes, jewellery or long hair can be caught in moving parts.
- g. **If devices are provided for the connection of dust extraction and collection facilities, ensure these are connected and properly used.** Use of dust collection can reduce dust-related hazards.

#### 4. Power tool use and care

- a. **Do not force the power tool. Use the correct power tool for your application.** The correct power tool will do the job better and safer at the rate for which it was designed.
- b. **Do not use the power tool if the switch does not turn it on and off.** Any power tool that cannot be controlled with the switch is dangerous and must be repaired.
- c. **Disconnect the plug from the power source and/or the battery pack from the power tool before making any adjustments, changing accessories, or storing power tools.** Such preventive safety measures reduce the risk of starting the power tool accidentally.
- d. **Store idle power tools out of the reach of children and do not allow persons unfamiliar with the power tool or these instructions to operate the power tool.** Power tools are dangerous in the hands of untrained users.
- e. **Maintain power tools. Check for misalignment or binding of moving parts, breakage of parts and any other condition that may affect the power tools operation. If damaged, have the power tool repaired before use.** Many accidents are caused by poorly maintained power tools.

- f. **Keep cutting tools sharp and clean.** Properly maintained cutting tools with sharp cutting edges are less likely to bind and are easier to control.
  - g. **Use the power tool, accessories and tool bits etc., in accordance with these instructions, taking into account the working conditions and the work to be performed.** Use of the power tool for operations different from those intended could result in a hazardous situation.
5. **Service**
- a. **Have your power tool serviced by a qualified repair person using only identical replacement parts.** This will ensure that the safety of the power tool is maintained.

### Additional power tool safety warnings



**Warning!** Additional safety warnings for jigsaws and reciprocating saws

- ◆ **Hold the tool by the insulated gripping surfaces when performing an operation where the cutting tool may contact hidden wiring or its own cord.** Cutting accessory contacting a "live" wire may make exposed metal parts of the power tool "live" and shock the operator.
- ◆ **Use clamps or another practical way to secure and support the workpiece to a stable platform.** Holding the work by hand or against your body leaves it unstable and may lead to loss of control.
- ◆ **Keep hands away from cutting area.** Never reach underneath the work piece for any reason. Do not insert fingers or thumb into the vicinity of the reciprocating blade and blade clamp. Do not stabilize the saw by gripping the shoe.
- ◆ **Keep blades sharp.** Dull or damaged blades may cause the saw to swerve or stall under pressure. Always use the appropriate type of saw blade for the workpiece material and type of cut.
- ◆ When cutting pipe or conduit, make sure that they are free from water, electrical wiring, etc.
- ◆ Do not touch the workpiece or the blade immediately after operating the tool. They can become very hot.
- ◆ Be aware of hidden hazards, before cutting into walls, floors or ceilings, check for the location of wiring and pipes.
- ◆ The blade will continue to move after releasing the switch. Always switch the tool off and wait for the saw blade to come to a complete standstill before putting the tool down.

**Warning!** Contact with, or inhalation of dusts arising from cutting applications may endanger the health of the operator and possible bystanders. Wear a dust mask specifically designed for protection against dust and fumes and ensure that persons within or entering the work area are also protected.

- ◆ This tool is not intended for use by persons (including children) with reduced physical, sensory or mental capabilities, or lack of experience and knowledge, unless they have been given supervision or instruction concerning use of the appliance by a person responsible for their safety. Children should be supervised to ensure that they do not play with the appliance.
- ◆ The intended use is described in this instruction manual. The use of any accessory or attachment or performance of any operation with this tool other than those recommended in this instruction manual may present a risk of personal injury and/or damage to property.

### Vibration

The declared vibration emission values stated in the technical data and the declaration of conformity have been measured in accordance with a standard test method provided by EN 60745 and may be used for comparing one tool with another. The declared vibration emission value may also be used in a preliminary assessment of exposure.

**Warning!** The vibration emission value during actual use of the power tool can differ from the declared value depending on the ways in which the tool is used. The vibration level may increase above the level stated.

When assessing vibration exposure to determine safety measures required by 2002/44/EC to protect persons regularly using power tools in employment, an estimation of vibration exposure should consider, the actual conditions of use and the way the tool is used, including taking account of all parts of the operating cycle such as the times when the tool is switched off and when it is running idle in addition to the trigger time.

### Labels on tool

The following pictograms are shown on the tool:



**Warning!** To reduce the risk of injury, the user must read the instruction manual.

### Electrical safety



This tool is double insulated; therefore no earth wire is required. Always check that the power supply corresponds to the voltage on the rating plate.

- ◆ If the supply cord is damaged, it must be replaced by the manufacturer or an authorised Black & Decker Service Centre in order to avoid a hazard.

## Features

This tool includes some or all of the following features:

1. On/off switch
2. Lock-on button
3. Dust extraction outlet
4. Shoe plate
5. Saw blade support roller
6. Pendulum stroke selector

## Fig. C

7. Saw blade storage compartment (KS702PE & KS703PE)

## Assembly

**Warning!** Before attempting any of the following operations, make sure that the tool is switched off and unplugged and that the saw blade has stopped. Used saw blades may be hot.

### Fitting and removing the saw blade (fig. A)

- ◆ Loosen (do not remove) the two screws (11).
- ◆ Hold the saw blade (8) with the teeth facing forward.
- ◆ Insert the shank of the saw blade (8) into the blade holder (10) as far as it will go.
- ◆ Slightly tighten the two screws (11) alternately to position the blade, then fully tighten the two screws (11).
- ◆ To remove the saw blade (8), turn both screws (11) one turn counter-clockwise.

### Connecting a vacuum cleaner to the tool (fig. B)

An adaptor (12) is required to connect a vacuum cleaner or dust extractor to the tool. The adaptor can be purchased from your local Black & Decker retailer.

- ◆ Push the adaptor (12) into the dust extraction outlet (3).
- ◆ Connect the vacuum cleaner hose (13) to the adaptor (12).

### Saw blade storage (KS702PE & KS703PE only) (fig. C)

Saw blades (8) can be stored in the storage compartment (7) located on the side of the tool

- ◆ Open the cover of the saw blade storage compartment (7) by holding the tab on the top of the door and pulling outwards.
- ◆ Remove or store saw blades (8) in the storage compartment. (7).
- ◆ Close the cover of the saw blade storage compartment (7) and make sure that it is latched closed.

### Cut line blower (fig. D)

- ◆ To aid visibility when cutting, your jigsaw is equipped with a cut line blower (14) which will keep the work area clear of dust as you saw.

## Residual risks.

Additional residual risks may arise when using the tool which may not be included in the enclosed safety warnings. These risks can arise from misuse, prolonged use etc.

Even with the application of the relevant safety regulations and the implementation of safety devices, certain residual risks can not be avoided. These include:

- ◆ **Injuries caused by touching any rotating/moving parts.**
- ◆ **Injuries caused when changing any parts, blades or accessories.**
- ◆ **Injuries caused by prolonged use of a tool. When using any tool for prolonged periods ensure you take regular breaks.**
- ◆ **Impairment of hearing.**
- ◆ **Health hazards caused by breathing dust developed when using your tool (example:- working with wood, especially oak, beech and MDF.)**

## Use

### Adjusting the shoe plate for bevel cuts (fig. E)

The shoe plate (4) can be set to make either a straight cut or a left or right bevel cut at an angle of 45°.

- ◆ Loosen the screws (9).
- ◆ Pull the shoe plate (4) forward, rotate the shoe plate (4) to the left or right and push it back into the 45° location.
- ◆ Tighten the screws (9).

To reset the shoe plate for straight cuts:

- ◆ Loosen the screws (9).
- ◆ Pull the shoe plate (4) forward, rotate to the centre and push it back into the 0° location.
- ◆ Tighten the screws (9).

Setting the pendulum stroke (fig. F)

- ◆ Set the pendulum stroke selector (6) to the required position.
  - Position 0: metal and aluminium and sheet metal.
  - Position I: for laminates, hard wood, work tops.
  - Position II: for plywood and PVC/plastics.
  - Position III: for soft wood and fast cutting.

### Variable speed control

The tool has a variable speed on/off switch (1). The operating speed depends on how far you press the switch.

- ◆ Use a high speed for wood, medium speed for aluminium and PVC and low speed for metals other than aluminium.

## Switching on and off

- ◆ To switch the tool on, press the on/off switch (1).
- ◆ To switch the tool off, release the on/off switch (1).
- ◆ For continuous operation, press the lock-on button (2) and release the on/off switch (1).
- ◆ To switch the tool off when in continuous operation, press and release the on/off switch (1).

## Sawing

- ◆ Hold the tool firmly with both hands while cutting.
- ◆ The shoe should be held firmly against the material being cut. This will help prevent the saw from jumping, reduce vibration and minimise blade breakage.
- ◆ Let the blade run freely for a few seconds before starting the cut.
- ◆ Apply only a gentle pressure to the tool while performing the cut.

## Hints for optimum use

### Sawing laminates

When cutting laminates splintering may occur which can damage the presentation surface. The most common saw blades cut on the upward stroke, therefore if the shoe plate is sitting on the presentation surface either use a saw blade that cuts on the downward stroke or:

- ◆ Use a fine-tooth saw blade.
- ◆ Saw from the back surface of the workpiece.
- ◆ Clamp a piece of scrap wood or hardboard to both sides of the workpiece to minimise splintering, and saw through this sandwich.

### Sawing metal

- ◆ Be aware that sawing metal takes much more time than sawing wood.
- ◆ Use a saw blade suitable for sawing metal.
- ◆ When cutting thin sheet metal, clamp a piece of scrap wood to the back surface of the workpiece and cut through this sandwich.
- ◆ Spread a film of oil along the intended line of cut.

## Maintenance

Your Black & Decker tool has been designed to operate over a long period of time with a minimum of maintenance.

Continuous satisfactory operation depends upon proper care and regular cleaning.

**Warning!** Before performing any maintenance or cleaning, make sure that the tool is switched off and unplugged and that the saw blade has stopped.

- ◆ Regularly clean the ventilation slots in your tool and charger using a soft brush or dry cloth.

- ◆ Regularly clean the motor housing using a damp cloth. Do not use any abrasive or solvent-based cleaner. Never let any liquid get inside the tool and never immerse any part of the tool into liquid

## Mains plug replacement (U.K. & Ireland only)

If a new mains plug needs to be fitted:

- ◆ Safely dispose of the old plug.
- ◆ Connect the brown lead to the live terminal in the new plug.
- ◆ Connect the blue lead to the neutral terminal.

**Warning!** No connection is to be made to the earth terminal. Follow the fitting instructions supplied with good quality plugs. Recommended fuse: 5 A.

## Protecting the environment



Separate collection. This product must not be disposed of with normal household waste.

Should you find one day that your Black & Decker product needs replacement, or if it is of no further use to you, do not dispose of it with household waste. Make this product available for separate collection.



Separate collection of used products and packaging allows materials to be recycled and used again. Re-use of recycled materials helps prevent environmental pollution and reduces the demand for raw materials.

Local regulations may provide for separate collection of electrical products from the household, at municipal waste sites or by the retailer when you purchase a new product.

Black & Decker provides a facility for the collection and recycling of Black & Decker products once they have reached the end of their working life. To take advantage of this service please return your product to any authorised repair agent who will collect them on our behalf.

You can check the location of your nearest authorised repair agent by contacting your local Black & Decker office at the address indicated in this manual. Alternatively, a list of authorised Black & Decker repair agents and full details of our after-sales service and contacts are available on the Internet at: [www.2helpU.com](http://www.2helpU.com)

**Technical data**

	AST8XC/KS700PE/KS701PE KS702PE/KS703PE	
Input voltage	V <sub>AC</sub>	230
Power input	W	480
No-load speed	min <sup>-1</sup>	0-3,000
Max. depth of cut		
Wood	mm	60
Steel	mm	5
Aluminium	mm	10
Weight	kg	1.9

**Level of sound pressure according to EN 60745:**

Sound pressure (L<sub>pa</sub>) 86 dB(A), uncertainty (K) 3 dB(A)

Acoustic power (L<sub>wa</sub>) 97 dB(A), uncertainty (K) 3 dB(A)

**Vibration total values (triax vector sum) according to EN 60745:**

Cutting wood (a<sub>h, CW</sub>) 8.5 m/s<sup>2</sup>, uncertainty (K) 2.4 m/s<sup>2</sup>

Cutting metal (a<sub>h, CM</sub>) 9.4 m/s<sup>2</sup>, uncertainty (K) 3.3 m/s<sup>2</sup>

**EC declaration of conformity**

MACHINERY DIRECTIVE



AST8XC/KS700PE/KS701PE/KS702PE/KS703PE

Black & Decker declares that these products described under "technical data" are in compliance with:  
98/37/EC (until Dec. 28, 2009), 2006/42/EC  
(from Dec. 29, 2009), EN 60745-1, EN 60742-5-11

For more information, please contact Black & Decker at the following address or refer to the back of the manual.

The undersigned is responsible for compilation of the technical file and makes this declaration on behalf of Black & Decker.

Kevin Hewitt  
Vice-President Global Engineering  
Black & Decker Europe, 210 Bath Road, Slough,  
Berkshire, SL1 3YD  
United Kingdom  
1-10-2009

**Guarantee**

Black & Decker is confident of the quality of its products and offers an outstanding guarantee. This guarantee statement is in addition to and in no way prejudices your statutory rights. The guarantee is valid within the territories of the Member States of the European Union and the European Free Trade Area.

If a Black & Decker product becomes defective due to faulty materials, workmanship or lack of conformity, within 24 months from the date of purchase, Black & Decker guarantees to replace defective parts, repair products subjected to fair wear and tear or replace such products to ensure minimum inconvenience to the customer unless:

- ◆ The product has been used for trade, professional or hire purposes;
- ◆ The product has been subjected to misuse or neglect;
- ◆ The product has sustained damage through foreign objects, substances or accidents;
- ◆ Repairs have been attempted by persons other than authorised repair agents or Black & Decker service staff.

To claim on the guarantee, you will need to submit proof of purchase to the seller or an authorised repair agent. You can check the location of your nearest authorised repair agent by contacting your local Black & Decker office at the address indicated in this manual. Alternatively, a list of authorised Black & Decker repair agents and full details of our after-sales service and contacts are available on the Internet at: [www.2helpU.com](http://www.2helpU.com)

Please visit our website [www.blackanddecker.co.uk](http://www.blackanddecker.co.uk) to register your new Black & Decker product and to be kept up to date on new products and special offers. Further information on the Black & Decker brand and our range of products is available at [www.blackanddecker.co.uk](http://www.blackanddecker.co.uk)



## Bestimmungsgemäße Verwendung

Ihre Black & Decker Stichsäge wurde zum Sägen von Holz, Kunststoff und Blech entwickelt. Dieses Gerät ist nicht für den gewerblichen Einsatz vorgesehen.

## Sicherheitshinweise

### Allgemeine Warnhinweise zur Sicherheit von Elektrowerkzeugen



**Achtung! Lesen Sie sämtliche Sicherheitswarnhinweise und sonstigen Anweisungen.**

Die Nichteinhaltung der nachstehend aufgeführten Warnhinweise und sonstigen Anweisungen kann einen elektrischen Schlag, Brand und/oder schwere Verletzungen verursachen.

### Bewahren Sie alle Warnhinweise und sonstigen Anweisungen zur künftigen Bezugnahme auf.

Der nachfolgend verwendete Begriff "Gerät" bezieht sich auf netzbetriebene Geräte (mit Netzkabel) und auf akkubetriebene Geräte (ohne Netzkabel).

#### 1. Sicherheit am Arbeitsplatz

- a. **Halten Sie Ihren Arbeitsbereich sauber und gut ausgeleuchtet.** Unordnung und dunkle Arbeitsbereiche fördern Unfälle geradezu heraus.
- b. **Arbeiten Sie mit Geräten nicht in explosionsgefährdeter Umgebung, in der sich brennbare Flüssigkeiten, Gase oder Stäube befinden.** Geräte erzeugen Funken, die den Staub oder die Dämpfe entzünden können.
- c. **Halten Sie Kinder und andere Personen während der Benutzung eines Geräts fern.** Bei Ablenkung können Sie die Kontrolle verlieren.

#### 2. Elektrische Sicherheit

- a. **Der Anschlussstecker des Geräts muß in die Steckdose passen. Der Stecker darf in keiner Weise verändert werden. Verwenden Sie keine Adapterstecker gemeinsam mit schutzgeerdeten Geräten.** Unveränderte Stecker und passende Steckdosen verringern das Risiko eines elektrischen Schlages.
- b. **Vermeiden Sie Körperkontakt mit geerdeten Oberflächen von Rohren, Heizungen, Herden und Kühlschränken.** Es besteht ein erhöhtes Risiko eines elektrischen Schlages, wenn Ihr Körper geerdet ist.
- c. **Halten Sie Geräte von Regen und Nässe fern.** Das Eindringen von Wasser in ein Gerät erhöht das Risiko eines elektrischen Schlages.

- d. **Mißbrauchen Sie nicht das Kabel. Verwenden Sie das Kabel niemals zum Tragen, Ziehen oder Trennen des Gerätes vom Netz. Halten Sie das Kabel fern von Hitze, Öl, scharfen Kanten oder sich bewegenden Teilen.** Beschädigte oder verwickelte Kabel erhöhen das Risiko eines elektrischen Schlages.
- e. **Wenn Sie mit einem Gerät im Freien arbeiten, verwenden Sie nur Verlängerungskabel, die auch für den Außenbereich zugelassen sind.** Die Verwendung eines für den Außenbereich geeigneten Verlängerungskabels verringert das Risiko eines elektrischen Schlages.
- f. **Falls der Betrieb des Elektrowerkzeugs in einer feuchten Umgebung unvermeidbar ist, verwenden Sie einen mit einem Fehlerstromschutzschalter (FI-Schutzschalter) abgesicherten Stromkreis.** Durch die Verwendung eines FI-Schutzschalters wird das Risiko eines Stromschlages verringert.

#### 3. Sicherheit von Personen

- a. **Seien Sie aufmerksam, achten Sie darauf, was Sie tun, und gehen Sie vernünftig mit einem Gerät um. Benutzen Sie das Gerät nicht, wenn Sie müde sind oder unter dem Einfluß von Drogen, Alkohol oder Medikamenten stehen.** Ein Moment der Unachtsamkeit beim Gebrauch von Geräten kann zu ernsthaften Verletzungen führen.
- b. **Tragen Sie persönliche Schutzausrüstung. Tragen Sie immer eine Schutzbrille.** Das Tragen persönlicher Schutzausrüstung, wie Staubmaske, rutschfeste Sicherheitsschuhe, Schutzhelm oder Gehörschutz, je nach Art und Einsatz des Elektrowerkzeuges, verringert das Risiko von Verletzungen.
- c. **Vermeiden Sie eine unbeabsichtigte Inbetriebnahme. Vergewissern Sie sich, dass der Schalter auf der Aus-Stellung steht, bevor Sie den Stecker in die Steckdose stecken und/oder das Akkupaket im Werkzeug stecken, das Werkzeug aufnehmen oder tragen.** Wenn Sie beim Tragen des Elektrowerkzeuges den Finger am Schalter haben oder das Werkzeug eingeschaltet an die Stromversorgung anschließen, kann dies zu Unfällen führen.
- d. **Entfernen Sie Einstell- oder Schraubenschlüssel, bevor Sie das Gerät einschalten.** Ein Schlüssel, der sich in einem sich drehenden Teil befindet, kann zu Verletzungen führen.
- e. **Nicht zu weit nach vorne strecken! Achten Sie auf einen sicheren Stand, um in jeder Arbeitsposition das Gleichgewicht zu halten.** Dadurch können Sie das Gerät in unerwarteten Situationen besser unter Kontrolle halten.
- f. **Tragen Sie geeignete Kleidung. Tragen Sie keine weite Kleidung oder Schmuck. Halten Sie Haare, Kleidung und Handschuhe fern von sich bewegenden Teilen.**

Lockere Kleidung, Schmuck oder lange Haare können von sich bewegenden Teilen erfaßt werden.

- g. Falls Staubabsaug- und -auffangvorrichtungen vorhanden sind, vergewissern Sie sich, daß diese angeschlossen sind und richtig verwendet werden.** Das Verwenden dieser Einrichtungen verringert Gefährdungen durch Staub.
- 4. Gebrauch und Pflege von Geräten**
- a. Überlasten Sie das Gerät nicht. Verwenden Sie für Ihre Arbeit das dafür bestimmte Gerät.** Mit dem passenden Gerät arbeiten Sie besser und sicherer im angegebenen Leistungsbereich.
- b. Benutzen Sie kein Gerät, dessen Schalter defekt ist.** Ein Gerät, das sich nicht mehr ein- oder ausschalten läßt, ist gefährlich und muß repariert werden.
- c. Trennen Sie den Stecker von der Stromquelle und/ oder das Akkupaket vom Elektrowerkzeug, bevor Einstellungen vorgenommen, Zubehör gewechselt oder Elektrowerkzeuge verstaut werden.** Diese Vorsichtsmaßnahmen verhindern den unbeabsichtigten Start des Gerätes.
- d. Bewahren Sie unbenutzte Geräte außerhalb der Reichweite von Kindern auf. Lassen Sie Geräte nicht von Personen benutzen, die damit nicht vertraut sind oder diese Anweisungen nicht gelesen haben.** Geräte sind gefährlich, wenn Sie von unerfahrenen Personen benutzt werden.
- e. Halten Sie Geräte in einem einwandfreien Zustand. Kontrollieren Sie, ob bewegliche Teile falsch ausgerichtet sind oder klemmen und ob Teile gebrochen oder so beschädigt sind, daß die Funktion des Geräts beeinträchtigt ist. Lassen Sie beschädigte Geräte vor dem Gebrauch reparieren.** Viele Unfälle haben ihre Ursache in schlecht gewarteten Geräten.
- f. Halten Sie Schneidgeräte scharf und sauber.** Sorgfältig gepflegte Schneidgeräte mit scharfen Schneidkanten verklemmen sich weniger und sind leichter zu führen.
- g. Verwenden Sie das Elektrowerkzeug, Zubehör sowie Werkzeug-Bits, usw. entsprechend diesen Anweisungen. Berücksichtigen Sie dabei die Arbeitsbedingungen sowie die durchzuführende Arbeit.** Der Gebrauch von Geräten für andere als die vorgesehenen Anwendungen kann zu gefährlichen Situationen führen.
- 5. Service**
- a. Lassen Sie Ihr Gerät nur von qualifiziertem Fachpersonal und nur mit Original-Ersatzteilen reparieren.** Damit wird gewährleistet, daß die Sicherheit des Geräts erhalten bleibt.

## Zusätzliche Warnhinweise zur Sicherheit von Elektrowerkzeugen



**Achtung!** Zusätzliche Warnhinweise zur Sicherheit von Stich- und Säbelsägen.

- ◆ **Halten Sie das Elektrowerkzeug an den isolierten Griffflächen, wenn Arbeiten durchgeführt werden, bei denen das Schneidwerkzeug versteckte Leitungen oder die eigene Anschlußleitung berühren könnte.** Schneidezubehörteile, die eine spannungsführende Leitung berühren, setzen die freiliegenden Metallteile des Geräts unter Spannung und der Benutzer erleidet einen Stromschlag.
- ◆ **Verwenden Sie Zwingen oder ähnliche Mittel, um das Werkstück auf einer stabilen Plattform zu halten und zu sichern.** Falls das Werkstück mit der Hand oder gegen den Körper gehalten wird, bleibt es instabil und Sie können die Kontrolle verlieren.
- ◆ **Halten Sie die Hände vom Schnittbereich fern.** Greifen Sie niemals unter das Werkstück. Halten Sie Finger und Daumen vom Bereich des Sägeblatts der Säbelsäge sowie der Einpannvorrichtung des Sägeblatts fern. Versuchen Sie nicht, die Säge zu stabilisieren, indem Sie den Sägegeschuh halten.
- ◆ **Halten Sie die Sägeblätter scharf.** Stumpfe oder beschädigte Sägeblätter können bewirken, daß die Säge unter Druck ausbricht oder hängen bleibt. Verwenden Sie immer ein Sägeblatt, das sich für das zu sägende Material und den gewünschten Schnitttyp eignet.
- ◆ Wird Rohr oder Kanal geschnitten, vergewissern Sie sich, daß kein Wasser durch die Rohrleitungen fließt und keine elektrischen Leitungen, etc. im Kanal vorhanden sind.
- ◆ Fassen Sie das Werkstück bzw. das Sägeblatt unmittelbar nach dem Betrieb des Werkzeugs nicht an. Werkstück und Sägeblatt können sehr heiß werden!
- ◆ Seien Sie sich über versteckte Gefahren im Klaren und informieren Sie sich über den genauen Verlauf von Leitungen und Rohren, bevor Sie Sägearbeiten in Wänden, Böden und Decken durchführen.
- ◆ Das Sägeblatt bewegt sich nach dem Loslassen des Schalters weiter. Schalten Sie das Gerät immer aus und warten Sie, bis das Sägeblatt zum Stillstand kommt, bevor Sie das Gerät niederlegen.

**Achtung!** Ein Kontakt mit Stäuben oder das Einatmen von Stäuben, die durch den Sägeinsatz entstehen, kann die Gesundheit des Bedieners und eventueller anderer Personen in der Nähe des Geräts gefährden. Tragen Sie zum Schutz vor Stäuben und Dämpfen eine Staubmaske, und stellen Sie sicher, daß auch andere Personen geschützt sind, die den Arbeitsplatz betreten oder sich darin aufhalten.

- ◆ Dieses Gerät darf nicht von Personen (einschließlich Kindern) mit eingeschränkten körperlichen, sensorischen oder geistigen Fähigkeiten verwendet werden. Auch darf es nicht von Personen verwendet werden, die keine Erfahrung mit dem Gerät oder Kenntnis darüber haben, es sei denn, sie stehen beim Gebrauch unter der Aufsicht und Anleitung einer für deren Sicherheit verantwortlichen Person. Kinder müssen beaufsichtigt werden, um sicherzustellen, daß sie nicht mit dem Gerät spielen.
- ◆ Die bestimmungsgemäße Verwendung ist in dieser Bedienungsanleitung beschrieben. Das Verwenden anderer als der in dieser Anleitung empfohlenen Anbaugeräte und Zubehörteile oder die Ausführung von Arbeiten mit diesem Gerät, die nicht der bestimmungsgemäßen Verwendung entsprechen, kann zu Unfallgefahren und/oder Sachschäden führen.

### Vibrationen

Die angegebenen Vibrationswerte in den Technischen Daten und der Konformitätserklärung wurden gemäß einer standardisierten und durch EN 60745 festgelegten Prüfmethode gemessen und können herangezogen werden, um ein Werkzeug mit einem anderen zu vergleichen. Der angegebene Vibrationswert kann auch für eine vorläufige Einstufung der Freisetzung herangezogen werden.

**Achtung!** Der Vibrationswert beim eigentlichen Gebrauch des Elektrowerkzeugs kann vom angegebenen Wert abweichen. Dies hängt davon ab, auf welche Weise das Werkzeug verwendet wird. Der Vibrationswert kann über den angegebenen Wert hinaus ansteigen.

Bei der Einstufung der Vibrationen zur Festlegung der von 2002/44/EG geforderten Sicherheitsmaßnahmen zum Schutz von Personen, die beruflich regelmäßig mit Elektrowerkzeugen arbeiten, muß eine Vibrationseinstufung die tatsächlichen Gebrauchsbedingungen und die Art und Weise berücksichtigen, wie das Werkzeug verwendet wird. Auch müssen alle Aspekte des Arbeitszyklus berücksichtigt werden, wie beispielsweise die Zeiten, in denen das Werkzeug aus- und eingeschaltet ist und im Leerlauf läuft.

### Schilder auf dem Gerät

Es befinden sich folgende Bildzeichen auf dem Gerät:



**Achtung!** Um die Verletzungsgefahr zu verringern, muß der Benutzer die Bedienungsanleitung lesen.

### Elektrische Sicherheit



Dieses Gerät ist schutzisoliert, daher ist keine Erdoleitung erforderlich. Überprüfen Sie immer, ob die Netzspannung der auf dem Typenschild des Elektrowerkzeuges angegebenen Spannung entspricht.

- ◆ Falls das Netzkabel beschädigt ist, so ist es vom Hersteller oder einem autorisierten Black & Decker Service Center auszutauschen, um Gefahren vorzubeugen.

### Merkmale

Dieses Gerät weist einige oder alle der folgenden Merkmale auf:

1. Ein-/Aus-Schalter
2. Ausschaltsperr
3. Staubabsauganschluß
4. Sägeschuhplatte
5. Stützrolle für Sägeblatt
6. Pendelhubwähler

### Abb. C

7. Aufbewahrungsfach für Sägeblatt (KS702PE & KS703PE)

### Montage

**Achtung!** Bevor Sie folgende Schritte durchführen, stellen Sie sicher, daß das Gerät ausgeschaltet und vom Netz getrennt ist und daß das Sägeblatt stehengeblieben ist. Verwendete Sägeblätter können heiß sein.

### Anbringen und Entfernen des Sägeblatts (Abb. A)

- ◆ Lösen Sie die beiden Schrauben (11) (nur lösen - nicht entfernen).
- ◆ Halten Sie das Sägeblatt (8) mit den Zähnen nach vorne weisend.
- ◆ Setzen Sie den Schaft des Sägeblatts (8) bis zum Anschlag in den Sägeblatthalter (10) ein.
- ◆ Ziehen Sie die beiden Schrauben (11) abwechselnd etwas an, um das Sägeblatt in seine Position zu bringen. Ziehen Sie die beiden Schrauben (11) anschließend fest an.
- ◆ Um das Sägeblatt (8) zu entfernen, drehen Sie beide Schrauben (11) eine Umdrehung gegen den Uhrzeigersinn.

### Anschluß eines Staubsaugers am Gerät (Abb. B)

Um einen Staubsauger oder eine Absaugvorrichtung mit dem Gerät zu verbinden, ist ein Adapter (12) erforderlich. Der Adapter kann von Ihrem örtlichen Black & Decker Händler bezogen werden.

- ◆ Stecken Sie den Adapter (12) in den Staubabsauganschluß (3).

- ◆ Verbinden Sie den Staubsaugerschlauch (13) mit dem Adapter (12).

## Sägeblatt-Aufbewahrung (nur KS702PE & KS703PE) (Abb. C)

Im Fach (7) an der Seite des Werkzeugs können Sägeblätter (8) aufbewahrt werden.

- ◆ Öffnen Sie den Deckel des Sägeblatt-Aufbewahrungsfachs (7), indem Sie die Nase oben an der Klappe festhalten und nach außen ziehen.
- ◆ Entnehmen Sie dem Fach die Sägeblätter (8) bzw. bewahren Sie sie hier auf. (7).
- ◆ Schließen Sie den Deckel der Sägeblatt-Aufbewahrung (7) und vergewissern Sie sich, daß er in der geschlossenen Stellung eingerastet ist.

## Schnittliniengebläse (Abb. D)

- ◆ Um die Sichtbarkeit beim Schneiden zu verbessern, ist Ihre Stichsäge mit einem Schnittliniengebläse (14) ausgerüstet, daß den Arbeitsbereich beim Sägen staubfrei hält.

## Restrisiken.

Für den Gebrauch dieses Geräts verbleiben zusätzliche Restrisiken, die möglicherweise nicht in den Sicherheitswarnungen genannt werden. Diese Risiken bestehen beispielsweise bei Missbrauch oder längerem Gebrauch.

Auch bei der Einhaltung der entsprechenden Sicherheitsvorschriften und der Verwendung aller Sicherheitsgeräte bestehen weiterhin bestimmte Restrisiken. Diese werden im Folgenden aufgeführt:

- ◆ **Verletzungen, die durch das Berühren von sich drehenden/bewegenden Teilen verursacht werden.**
- ◆ **Verletzungen, die durch das Austauschen von Teilen, Messern oder Zubehör verursacht werden.**
- ◆ **Verletzungen, die durch längeren Gebrauch eines Geräts verursacht werden. Legen Sie bei längerem Gebrauch regelmäßige Pausen ein.**
- ◆ **Beeinträchtigung des Gehörs.**
- ◆ **Gesundheitsrisiken durch das Einatmen von Staub beim Gebrauch des Geräts (Beispielsweise bei Holzarbeiten, insbesondere Eiche, Buche und Pressspan).**

## Gebrauch

### Einstellen der Sägeschuhsplatte auf Gehrungsschnitte (Abb. E)

Die Sägeschuhsplatte (4) kann entweder auf Geradschnitte oder auf Gehrungsschnitte mit einem Links- oder Rechtswinkel von 45° eingestellt werden.

- ◆ Lösen Sie die Schrauben (9).
- ◆ Ziehen Sie die Sägeschuhsplatte (4) nach vorne, drehen Sie sie nach links oder rechts und schieben Sie sie in die 45°-Stellung zurück.
- ◆ Ziehen Sie die Schrauben (9) an.

Um die Sägeschuhsplatte wieder für gerade Schnitte einzustellen:

- ◆ Lösen Sie die Schrauben (9).
- ◆ Ziehen Sie die Sägeschuhsplatte (4) nach vorne, drehen Sie sie in die Mitte und schieben Sie sie in die 0°-Stellung zurück.
- ◆ Ziehen Sie die Schrauben (9) an.

Einstellen des Pendelhub (Abb. F)

- ◆ Stellen Sie den Pendelhubwahlschalter (6) auf die gewünschte Position.
  - Position 0: Metall, Aluminium und Blech.
  - Position I: Für Laminat, Hartholz, Arbeitsplatten.
  - Position II: Für Sperrholz und PVC/Kunststoff.
  - Position III: Für Weichholz und schnelles Schneiden.

## Geschwindigkeitsvorwahl

Das Gerät hat einen Ein-/Aus-Drehzahlregelschalter (1).

Je tiefer Sie den Schalter drücken, umso höher ist die Drehzahl des Geräts.

- ◆ Verwenden Sie für Holz eine hohe Geschwindigkeit, für Aluminium und PVC eine mittlere Geschwindigkeit und für Nicht-Aluminium-Metalle eine niedrige Geschwindigkeit.

## Ein- und Ausschalten

- ◆ Um das Werkzeug einzuschalten, drücken Sie auf den Ein-/Ausschalter (1).
- ◆ Um das Gerät auszuschalten, lassen Sie den Ein-/Ausschalter (1) los.
- ◆ Drücken Sie für Dauerbetrieb auf die Ausschaltsperr (2). Sie können nun den Ein-/Ausschalter (1) loslassen.
- ◆ Um den Dauerbetrieb des Geräts wieder auszuschalten, drücken Sie auf den Ein-/Aus-Schalter (1) und lassen Sie ihn los.

## Sägen

- ◆ Halten Sie das Werkzeug beim Schneiden mit beiden Händen sicher fest.
- ◆ Der Sägeschuh muß fest gegen das zu schneidende Material gehalten werden. Dadurch wird verhindert, daß die Säge springt, Vibrationen werden verringert und die Sägeblatt-Bruchgefahr wird minimiert.
- ◆ Lassen Sie das Sägeblatt einige Sekunden im Leerlauf laufen, bevor Sie den Schnitt vornehmen.
- ◆ Drücken Sie das Gerät während des Sägevorgangs nur leicht.

## Hinweise für optimale Arbeitsergebnisse

### Sägen von Laminat

Beim Schneiden von Laminat kann Material splintern, wodurch die Sichtfläche beschädigt wird. Die gängigsten Sägeblätter schneiden beim Aufwärtshub. Falls die Sägeschuhplatte auf der Sichtfläche aufliegt, sollten Sie daher entweder ein Sägeblatt verwenden, das beim Abwärtshub schneidet, oder:

- ◆ Verwenden Sie ein Sägeblatt mit feinen Zähnen.
- ◆ Sägen Sie von der Rückseite des Werkstücks ausgehend.
- ◆ Spannen Sie einen Holzrest oder eine Hartfaserplatte auf beide Seiten des Werkstücks und sägen Sie durch diesen "Sandwich", um das Splintern zu minimieren.

### Sägen von Metall

- ◆ Seien Sie sich darüber im Klaren, daß beim Sägen von Metall sehr viel mehr Zeit als beim Sägen von Holz benötigt wird.
- ◆ Verwenden Sie ein für das Sägen von Metall geeignetes Sägeblatt.
- ◆ Beim Sägen von dünnem Blech spannen Sie einen Holzrest auf die hintere Fläche des Werkstücks, und schneiden Sie durch diesen "Sandwich".
- ◆ Verteilen Sie einen Ölfilm auf der Schnittlinie.

## Wartung

Ihr Black & Decker Gerät wurde im Hinblick auf eine lange Lebensdauer und einen möglichst geringen Wartungsaufwand entwickelt. Ein dauerhafter, einwandfreier Betrieb setzt Pflege und eine regelmäßige Reinigung voraus.

**Achtung!** Vergewissern Sie sich vor Wartungs- oder Reinigungsarbeiten, daß das Gerät ausgeschaltet, der Netzstecker gezogen und das Sägeblatt stehen geblieben ist.

- ◆ Reinigen Sie regelmäßig die Lüftungsschlitze im Gerät und Ladegerät mit Hilfe einer weichen Bürste oder eines trockenen Tuches.
- ◆ Reinigen Sie regelmäßig das Motorgehäuse mit Hilfe eines feuchten Tuches. Verwenden Sie keine scheuernden Reinigungsmittel oder Reinigungsmittel auf Lösungsmittelbasis. Lassen Sie niemals Flüssigkeiten in das Gerät gelangen und tauchen Sie niemals Teile des Geräts in Flüssigkeit ein.

## Umweltschutz



Getrennte Entsorgung. Dieses Produkt darf nicht über den normalen Hausmüll entsorgt werden.

Sollte Ihr Black & Decker Produkt eines Tages erneuert werden müssen, oder falls Sie es nicht weiter verwenden wollen, so darf es nicht über den Hausmüll entsorgt werden. Stellen Sie dieses Produkt zur getrennten Entsorgung bereit.



Durch die getrennte Entsorgung gebrauchter Produkte und Verpackungen können die Materialien recycelt und wiederverwertet werden. Die Wiederverwertung recycelter Materialien schont die Umwelt und verringert die Nachfrage nach Rohstoffen.

Die regionalen Bestimmungen schreiben unter Umständen die getrennte Entsorgung elektrischer Produkte aus dem Haushalt an Sammelstellen oder seitens des Händlers vor, bei dem Sie das neue Produkt erworben haben.

Black & Decker nimmt Ihre ausgedienten Black & Decker Geräte gern zurück und sorgt für eine umweltfreundliche Entsorgung und Wiederverwertung. Um diesen Dienst zu nutzen, schicken Sie bitte Ihr Produkt zu einer Vertragswerkstatt. Hier wird es dann auf unsere Kosten gesammelt.

Die Adresse der zuständigen Black & Decker Vertretung steht in diesem Handbuch, darüber läßt sich die nächstgelegene Vertragswerkstatt ermitteln. Außerdem ist eine Liste der Vertragswerkstätten und aller Kundendienststellen von Black & Decker sowie der zuständigen Ansprechpartner im Internet zu finden unter: [www.2helpU.com](http://www.2helpU.com)

## Technische Daten

		AST8XC/KS700PE/KS701PE KS702PE/KS703PE
Spannung	$V_{AC}$	230
Leistungsaufnahme	W	480
Leerlaufdrehzahl	$\text{min}^{-1}$	0-3.000
Max. Frästiefe		
Holz	mm	60
Stahl	mm	5
Aluminium	mm	10
Gewicht	kg	1,9

### Gesamtvibrationswerte (Triax-Vektorsumme) gemäß EN 60745:

Oberflächenschleifen ( $a_{h,cw}$ ) 8,5  $\text{m/s}^2$ , Unsicherheitsfaktor (K) 1,5  $\text{m/s}^2$   
 Trennarbeiten ( $a_{h,cw}$ ) 9,4  $\text{m/s}^2$ , Unsicherheitsfaktor (K) 3,3  $\text{m/s}^2$

### Höhe des Schalldrucks gemäß EN 60745:

Schalldruck ( $L_{pA}$ ) 86 dB(A), Unsicherheitsfaktor (K) 3 dB(A)  
 Schalleistung ( $L_{WA}$ ) 97 dB(A), Unsicherheitsfaktor (K) 3 dB(A)

**EG-Konformitätserklärung**

MASCHINENRICHTLINIE



AST8XC/KS700PE/KS701PE/KS702PE/KS703PE

Black & Decker erklärt, daß diese unter "Technische Daten" beschriebenen Produkte folgende Richtlinien erfüllen:  
98/37/EG (bis 28. Dez. 2009), 2006/42/EG  
(ab 29. Dez. 2009), EN 60745-1, EN 60745-2-11

Wenden Sie sich für weitere Informationen bitte an folgende Black & Decker Anschrift bzw. an die hinten im Handbuch angegebene Anschrift.

Der Unterzeichnete ist für die Zusammenstellung der technischen Datei verantwortlich und gibt diese Erklärung im Namen von Black & Decker ab.

Kevin Hewitt  
Vice-President Global Engineering  
Black & Decker Europe, 210 Bath Road, Slough,  
Berkshire, SL1 3YD  
Vereinigtes Königreich  
1-10-2009

**Garantie**

Black & Decker vertraut auf die Qualität der eigenen Geräte und bietet dem Käufer eine außergewöhnliche Garantie. Diese Garantiezusage versteht sich unbeschadet der gesetzlichen Gewährleistungsansprüche und schränkt diese keinesfalls ein. Sie gilt in sämtlichen Mitgliedsstaaten der Europäischen Union und der Europäischen Freihandelszone EFTA.

Tritt innerhalb von 24 Monaten ab Kaufdatum an einem Gerät von Black & Decker ein auf Material- oder Verarbeitungsfehler zurückzuführender Mangel auf, garantiert Black & Decker den Austausch defekter Teile, die Reparatur von Geräten mit üblichem Verschleiß bzw. den Austausch eines mangelhaften Geräts, ohne den Kunden dabei mehr als unbedingt nötig in Anspruch zu nehmen, allerdings vorbehaltlich folgender Ausnahmen:

- ◆ wenn das Gerät gewerblich, beruflich oder im Verleihgeschäft benutzt wurde;
- ◆ wenn das Gerät mißbräuchlich verwendet oder mit mangelnder Sorgfalt behandelt wurde;
- ◆ wenn das Gerät durch irgendwelche Fremdeinwirkung beschädigt wurde;
- ◆ wenn ein unbefugter Reparaturversuch durch anderes Personal als das einer Vertragswerkstatt oder des Black & Decker-Kundendienstes unternommen wurde.

Zur Inanspruchnahme dieser Garantie ist dem Verkäufer bzw. der Vertragswerkstatt ein Kaufnachweis vorzulegen. Der Kaufnachweis muß Kaufdatum und Gerätetyp bescheinigen. Die Adresse des zuständigen Büros von Black & Decker steht in dieser Anleitung, darüber läßt sich die nächstgelegene Vertragswerkstatt ermitteln. Außerdem ist eine Liste der Vertragswerkstätten und aller Kundendienststellen von Black & Decker sowie der zuständigen Ansprechpartner im Internet zu finden unter: [www.2helpU.com](http://www.2helpU.com)

Bitte besuchen Sie unsere Webseite [www.blackanddecker.de](http://www.blackanddecker.de), um Ihr neues Black & Decker Produkt zu registrieren und über neue Produkte und Sonderangebote aktuell informiert zu werden. Weitere Informationen über die Marke Black & Decker und unsere Produkte finden Sie unter [www.blackanddecker.de](http://www.blackanddecker.de)

## Utilisation prévue

Votre scie sauteuse Black & Decker a été spécialement conçue pour scier le bois, le plastique et le métal en feuillard. Cet outil a été conçu pour une utilisation exclusivement domestique.

## Instructions de sécurité

### Consignes de sécurité générales pour les outils électriques



**Attention ! Prenez connaissance de tous les avertissements de sécurité et de toutes les instructions.** Le non-respect des avertissements et des instructions indiqués ci-dessous peut entraîner une électrocution, un incendie ou de graves blessures.

**Conservez tous les avertissements et instructions pour référence future.** La notion d'« outil électroportatif » mentionnée par la suite se rapporte à des outils électriques raccordés au secteur (avec câble de raccordement) ou fonctionnant sur piles (sans fil).

1. **Sécurité de la zone de travail**
  - a. **Maintenez la zone de travail propre et bien éclairée.** Un lieu de travail en désordre ou mal éclairé augmente le risque d'accidents.
  - b. **N'utilisez pas les outils électroportatifs dans un environnement présentant des risques d'explosion ni en présence de liquides, gaz ou poussières inflammables.** Les outils électroportatifs génèrent des étincelles risquant d'enflammer les poussières ou les vapeurs.
  - c. **Tenez les enfants et autres personnes éloignés durant l'utilisation de l'outil électroportatif.** En cas d'inattention, vous risquez de perdre le contrôle sur l'outil.
2. **Sécurité électrique**
  - a. **La fiche de secteur de l'outil électroportatif doit convenir à la prise de courant. Ne modifiez en aucun cas la fiche. N'utilisez pas de fiches d'adaptateur avec des outils ayant une prise de terre.** Les fiches non modifiées et les prises de courant appropriées réduisent le risque d'électrocution.
  - b. **Évitez le contact physique avec des surfaces mises à la terre telles que tuyaux, radiateurs, fours et réfrigérateurs.** Il y a un risque élevé d'électrocution si votre corps est relié à la terre.
  - c. **N'exposez pas l'outil électroportatif à la pluie ni à l'humidité.** La pénétration d'eau dans un outil électroportatif augmente le risque d'électrocution.
  - d. **Préservez le câble d'alimentation. N'utilisez pas le câble à d'autres fins que celles prévues, notamment pour porter l'outil, l'accrocher voire le débrancher de la prise de courant. Maintenez le câble éloigné des sources de chaleur, des parties grasses, des bords tranchants ou des parties de l'outil en rotation.** Un câble endommagé ou enchevêtré augmente le risque d'électrocution.
  - e. **Si vous utilisez l'outil électroportatif à l'extérieur, utilisez une rallonge homologuée pour utilisation à l'air libre.** L'utilisation d'une rallonge électrique homologuée pour les applications extérieures réduit le risque d'électrocution.
  - f. **Si l'usage d'un outil dans un emplacement humide est inévitable, utilisez une alimentation protégée par un dispositif à courant différentiel résiduel (RCD).** L'usage d'un RCD réduit le risque de choc électrique.
3. **Sécurité personnelle**
  - a. **Restez vigilant, surveillez ce que vous faites. Faites preuve de bon sens quand vous utilisez l'outil électroportatif. N'utilisez pas l'outil lorsque vous êtes fatigué ou après avoir consommé de l'alcool, des drogues voire des médicaments.** Un moment d'inattention lors de l'utilisation de l'outil peut entraîner de graves blessures.
  - b. **Utilisez un équipement de protection personnelle. Portez toujours une protection pour les yeux.** Les équipements de protection personnelle tels que les masques anti-poussières, chaussures de sécurité antidérapantes, casques ou protections acoustiques utilisés dans des conditions appropriées réduisent les blessures.
  - c. **Évitez toute mise en marche involontaire. Vérifiez que l'interrupteur est en position arrêté avant de brancher l'outil au secteur ou au bloc de batteries, de le prendre ou de le porter.** Transporter les outils en avec le doigt sur l'interrupteur ou les brancher avec l'interrupteur en position de marche est une source d'accidents.
  - d. **Enlevez tout outil ou clé de réglage avant de mettre l'outil en marche.** Une clé ou un outil se trouvant sur une partie en rotation peut causer des blessures.
  - e. **Adoptez une position confortable. Adoptez une position stable et gardez votre équilibre à tout moment.** Vous contrôlerez mieux l'outil dans des situations inattendues.
  - f. **Portez des vêtements appropriés. Ne portez pas de vêtements flottants ou de bijoux. N'approchez pas les cheveux, vêtements ou gants des parties des pièces mobiles.** Les vêtements amples, les bijoux ou les cheveux longs peuvent être attrapés dans les pièces en mouvement.

- g. Si des dispositifs servant à aspirer ou à recueillir les poussières doivent être utilisés, vérifiez qu'ils sont correctement raccordés et utilisés.** Le fait d'aspirer la poussière permet de réduire les risques inhérents à la poussière.
- 4. Utilisation des outils électroportatifs et précautions**
- a. Ne surchargez pas l'outil. Utilisez l'outil électroportatif approprié pour le travail à effectuer.** Avec l'outil électroportatif approprié, vous travaillerez mieux et avec plus de sécurité à la vitesse pour laquelle il a été conçu.
- b. N'utilisez pas un outil électroportatif dont l'interrupteur est défectueux.** Un outil électroportatif qui ne peut plus être mis en ou hors fonctionnement est dangereux et doit être réparé.
- c. Déconnectez la prise de la source d'alimentation ou le pack-batterie de l'outil électrique avant tout réglage, changement d'accessoire voire rangement des outils électriques.** Cette mesure de précaution empêche une mise en marche par mégarde.
- d. Rangez les outils électroportatifs hors de portée des enfants. Ne laissez pas les personnes n'étant pas familiarisées avec l'outil ou n'ayant pas lu ces instructions l'utiliser.** Les outils électroportatifs sont dangereux lorsqu'ils sont utilisés par des personnes non initiées.
- e. Prenez soin des outils électroportatifs. Vérifiez que les parties en mouvement fonctionnent correctement et qu'elles ne sont pas coincées ; vérifiez qu'il n'y a pas de pièces cassées ou endommagées susceptibles de nuire au bon fonctionnement de l'outil. S'il est endommagé, faites réparer l'outil avant de l'utiliser.** De nombreux accidents sont dus à des outils électroportatifs mal entretenus.
- f. Maintenez les outils de coupe aiguisés et propres.** Des outils soigneusement entretenus avec des bords tranchants bien aiguisés se coincent moins souvent et peuvent être guidés plus facilement.
- g. Utilisez l'outil électrique, les accessoires et forets, etc. conformément à ces instructions, en tenant compte des conditions de travail et des tâches à effectuer.** L'utilisation des outils électroportatifs à d'autres fins que celles prévues peut entraîner des situations dangereuses.
- 5. Réparations**
- a. Faites réparer votre outil électroportatif uniquement par du personnel qualifié et seulement avec des pièces de rechange d'origine.** Cela garantira le maintien de la sécurité de votre outil.

## Avertissements de sécurité supplémentaires pour les outils électriques



**Attention !** Avertissements de sécurité supplémentaires pour les scies sauteuses et alternatives.

- ◆ **Tenez l'outil uniquement par les surfaces isolées des poignées si l'opération effectuée peut mettre la lame en contact avec des câbles électriques cachés ou son propre cordon électrique.** Le contact de l'accessoire de coupe avec un câble sous tension met les parties métalliques de l'outil sous tension et peut provoquer une électrocution de l'utilisateur.
- ◆ **Utilisez des fixations ou tout autre moyen pratique pour fixer et soutenir la pièce à ouvrir sur une plateforme stable.** Si vous tenez la pièce à la main ou contre votre corps, elle est instable et vous pouvez en perdre le contrôle.
- ◆ **Maintenez les mains éloignées de la zone de coupe.** Ne passez jamais la main sous la pièce à ouvrir, quelle que soit la raison. N'insérez pas les doigts ou les pouces à proximité de la lame alternative et de son blocage. Ne stabilisez pas la scie en saisissant sa semelle.
- ◆ **Affûtez les lames.** Avec des lames émoussées ou endommagées, la scie peut faire un écart ou caler sous la pression. Utilisez toujours le type de lame de scie approprié aux matériaux de la pièce à scier et le bon type de coupe.
- ◆ Pour couper un tuyau ou un conduit, assurez-vous qu'il ne contient pas d'eau, de câble électrique, etc.
- ◆ Ne touchez pas la pièce à ouvrir ou la lame juste après avoir utilisé l'outil. Elles peuvent être très chaudes.
- ◆ Faites attention aux risques potentiels : avant de couper les murs, planchers ou plafonds, vérifiez l'emplacement des câblages et tuyaux.
- ◆ La lame continue son mouvement après avoir libéré l'interrupteur. Eteignez toujours l'outil et attendez que la lame de la scie se soit complètement arrêtée avant de poser l'outil.

**Attention !** L'inhalation ou le contact avec des poussières de sciure peuvent mettre en péril la santé de l'utilisateur et des personnes à proximité. Portez un masque contre la poussière spécialement conçu pour vous protéger des sciures et des fumées toxiques. Veillez également à ce que les personnes se trouvant à l'intérieur de la zone de travail ou y pénétrant soient également protégées.



- ◆ Cet outil n'est pas destiné à être utilisé par des personnes (notamment des enfants) présentant des capacités physiques, sensorielles ou mentales limitées voire dépourvues de connaissance et d'expérience, sauf si elles sont supervisées ou ont reçu des instructions pour l'usage de l'appareil par une personne responsable de leur sécurité. Les enfants ne doivent pas jouer avec l'appareil.
- ◆ Le domaine d'utilisation de l'outil est décrit dans le présent manuel. L'utilisation d'accessoires ou la réalisation d'opérations avec cet outil autres que ceux recommandés dans le présent manuel peut entraîner un risque de blessure ou de dégâts.

### Vibration

Les valeurs des émissions de vibrations mentionnées dans les données techniques et la déclaration de conformité ont été mesurées conformément à la méthode de test normalisée indiquée par EN 60745 et permettent les comparaisons entre outils. Les valeurs des émissions de vibrations peuvent également servir à une évaluation préliminaire de l'exposition.

**Attention !** Les valeurs des émissions de vibrations en utilisant réellement l'outil peuvent différer des valeurs déclarées en fonction du mode d'usage de l'outil. Le niveau de vibration peut dépasser le niveau indiqué.

Pour évaluer l'exposition aux vibrations afin de déterminer les mesures de sécurité imposées par 2002/44/CE pour protéger les personnes utilisant régulièrement des outils électriques, une estimation de l'exposition aux vibrations devrait prendre en compte les conditions réelles et le mode d'utilisation de l'outil, notamment l'ensemble du cycle de fonctionnement ainsi l'arrêt de l'outil et son fonctionnement au ralenti, outre le démarrage.

### Étiquettes apposées sur l'outil

Les pictogrammes suivants sont présents sur l'outil :



**Attention !** Afin de réduire les risques de blessures, l'utilisateur doit lire le manuel d'instructions.

### Sécurité électrique



L'outil est doublement isolé ; par conséquent, aucun câble de masse n'est nécessaire. Vérifiez si le voltage mentionné sur la plaque signalétique de la machine correspond bien à la tension de secteur présente sur lieu.

- ◆ Si le câble d'alimentation est endommagé, il doit être remplacé par le fabricant ou par un centre de réparation agréé Black & Decker afin d'éviter tout accident.

### Caractéristiques

Cet outil comprend toutes ou certaines des caractéristiques suivantes :

1. Interrupteur marche/arrêt
2. Bouton de verrouillage
3. Orifice d'évacuation de la poussière
4. Patin
5. Galet de support de la lame
6. Sélecteur de course du balancier

### Fig. C

7. Compartiment de rangement des lames (KS702PE & KS703PE)

### Montage

**Attention !** Avant d'effectuer l'une des opérations suivantes, assurez-vous que l'outil est bien éteint et débranché et que la lame a cessé de tourner. Après usage, les lames de scie peuvent être chaudes.

### Installation et retrait de la lame de scie (fig. A)

- ◆ Desserrez (sans les retirer) les deux vis (11).
- ◆ Tenez la lame de scie (8) avec les dents pointées vers l'avant.
- ◆ Enfoncez aussi loin que possible la tige de la lame de scie (8) dans le support de lame (10).
- ◆ Serrez légèrement les deux vis (11) en alternant afin de positionner la lame puis serrez-les à fond (11).
- ◆ Pour retirer la lame de scie (8), donnez un tour dans le sens anti-horaire aux deux vis (11).

### Branchement d'un aspirateur sur l'outil (fig. B)

Vous aurez besoin d'un adaptateur (12) pour brancher un aspirateur ou un système d'aspiration de la poussière sur l'outil. Vous pourrez vous en procurer un auprès de votre détaillant agréé Black & Decker.

- ◆ Poussez l'adaptateur (12) dans l'orifice d'aspiration de la poussière (3).
- ◆ Raccordez le tuyau de l'aspirateur (13) à l'adaptateur (12).

### Rangement de lame de scie (KS702PE & KS703PE uniquement) (fig. C)

Les lames de scie (8) peuvent être rangées dans le compartiment de rangement (7) situé sur le côté de l'outil.

- ◆ Ouvrez le couvercle du compartiment de rangement de lame de scie (7) en tenant la languette en haut de la trappe puis en tirant vers le bas.
- ◆ Retirez ou rangez les lames de scie (8) dans le compartiment de rangement. (7).
- ◆ Fermez le couvercle du compartiment de rangement de lame de scie (7) et assurez-vous que son loquet est verrouillé.

## Souffleur de ligne de coupe (fig. D)

- ◆ Afin d'améliorer la visibilité pendant la coupe, votre scie sauteuse comporte un souffleur de ligne de coupe (14) qui élimine toute la sciure qui s'accumule dans la ligne pendant que vous sciez.

## Risques résiduels.

L'utilisation d'un outil non mentionné dans les consignes de sécurité données peut entraîner des risques résiduels supplémentaires. Ces risques peuvent survenir si l'outil est mal utilisé, si l'utilisation est prolongée, etc.

Malgré l'application des normes de sécurité correspondantes et la présence de dispositifs de sécurité, les risques résiduels suivants ne peuvent être évités. Ceci comprend :

- ◆ **Les blessures dues au contact avec une pièce mobile/ en rotation.**
- ◆ **Les blessures causées en changeant des pièces, lames ou accessoires.**
- ◆ **Les blessures dues à l'utilisation prolongée d'un outil. Une utilisation prolongée de l'outil nécessite des pauses régulières.**
- ◆ **Déficience auditive.**
- ◆ **Risques pour la santé causés par l'inhalation de poussières produites pendant l'utilisation de l'outil (exemple : travail avec du bois, surtout le chêne, le hêtre et les panneaux en MDF).**

## Utilisation

### Réglage du patin pour les coupes de biais (fig. E)

Le patin (4) peut être réglé pour réaliser une coupe rectiligne ou une coupe en biseau - à gauche ou à droite - selon un angle de 45°.

- ◆ Desserrez les vis (9).
- ◆ Tirez le patin (4) en avant, faites-le pivoter (4) à gauche ou à droite puis repoussez-le en place à 45°.
- ◆ Serrez les vis (9).

Pour replacer le patin en position de coupes droites :

- ◆ Desserrez les vis (9).
- ◆ Tirez le patin (4) en avant, faites-le tourner au centre puis repoussez-le en position 0°.
- ◆ Serrez les vis (9).

Réglage de la course du balancier (fig. F)

- ◆ Mettez le sélecteur de course du balancier (6) dans la position requise
  - Position 0 : métal, aluminium et métal en feuille.
  - Position I : mélaminés, bois durs et plans de travail.
  - Position II : contreplaqué et PVC/plastiques.
  - Position III : bois tendres et coupe rapide.

## Variateur de vitesse

L'outil comporte un variateur de vitesse (1). La vitesse de travail dépend de la force que vous exercez sur le variateur.

- ◆ Utilisez une vitesse rapide pour le bois, moyenne pour l'aluminium et le PVC et faible pour les métaux autres que l'aluminium.

## Démarrage et arrêt

- ◆ Pour allumer l'outil, appuyez sur l'interrupteur marche/arrêt (1).
- ◆ Pour éteindre l'outil, relâchez l'interrupteur marche/arrêt (1).
- ◆ Pour un fonctionnement en continu, appuyez sur le bouton de verrouillage (2) et relâchez l'interrupteur marche/arrêt (1).
- ◆ Pour éteindre l'outil lorsqu'il est en mode de travail en continu, appuyez sur l'interrupteur de mise en marche (1) et relâchez-le.

## Scie

- ◆ Maintenez fermement l'outil avec les deux mains pendant la coupe.
- ◆ Le patin doit être pressé fermement contre le matériau à couper. Vous éviterez ainsi les sursauts de la scie tout en réduisant les vibrations et en minimisant le nombre de lames cassées.
- ◆ Laissez la lame tourner librement pendant quelques secondes avant de commencer la coupe.
- ◆ Appuyez légèrement sur l'outil pendant que vous sciez.

## Conseils pour une utilisation optimale

### Comment scier du contreplaqué

Pendant la coupe du contreplaqué, des éclats sont possibles, susceptibles d'endommager la surface de présentation.

Le plus souvent les lames de scies coupent sur la course montante. De ce fait, si le patin repose sur la surface de présentation, vous pouvez soit utiliser une lame de scie coupant sur la course descendante ou :

- ◆ Utilisez une lame de scie à dents fines.
- ◆ Sciez sur l'envers de la pièce.
- ◆ Fixez une chute de bois ou une planche au-dessus et en dessous de la pièce et coupez au travers de cette superposition afin de minimiser les éclats.

### Scier du métal

- ◆ Souvenez-vous qu'il est beaucoup plus long de scier des métaux que de scier du bois.
- ◆ Utilisez une lame de scie adaptée pour scier le métal.
- ◆ Pour couper des feuillards de métal fins, fixez une chute de bois sur l'envers de la pièce et découpez à travers cette superposition.
- ◆ Répandez une fine couche d'huile le long de la ligne de coupe avant de scier.

## Entretien

Votre outil Black & Decker a été conçu pour fonctionner pendant longtemps avec un minimum d'entretien. Un fonctionnement satisfaisant et durable dépend d'un nettoyage régulier et d'un entretien approprié.

**Attention !** Avant toute tâche de maintenance ou de nettoyage, assurez-vous que l'outil est éteint et débranché du secteur et que la lame de scie est arrêtée.

- ◆ Nettoyez régulièrement les orifices de ventilation de votre outil et le chargeur à l'aide d'une brosse douce ou d'un chiffon sec.
- ◆ Nettoyez régulièrement le compartiment du moteur à l'aide d'un chiffon humide. N'utilisez pas de produit abrasif ou à base de solvant. Aucun liquide ne doit pénétrer dans l'outil. N'immergez jamais une pièce de l'outil dans un liquide.

## Protection de l'environnement



Collecte séparée. Ce produit ne doit pas être jeté avec les déchets domestiques normaux.

Si vous décidez de remplacer ce produit Black & Decker, ou si vous n'en avez plus l'utilité, ne le jetez pas avec vos déchets domestiques. Rendez-le disponible pour une collecte séparée.



La collecte séparée des produits et emballages usés permet le recyclage des articles afin de les utiliser à nouveau. Le fait d'utiliser à nouveau des produits recyclés permet d'éviter la pollution environnementale et de réduire la demande de matières premières.

Les réglementations locales peuvent permettre la collecte séparée des produits électriques du foyer, dans des déchetteries municipales ou auprès du revendeur vous ayant vendu votre nouveau produit.

Black & Decker fournit un dispositif permettant de collecter et de recycler les produits Black & Decker lorsqu'ils ont atteint la fin de leur cycle de vie. Pour pouvoir profiter de ce service, veuillez retourner votre produit à un réparateur agréé qui se chargera de le collecter pour nous.

Pour connaître l'adresse du réparateur agréé le plus proche de chez vous, contactez le bureau Black & Decker à l'adresse indiquée dans ce manuel. Vous pourrez aussi trouver une liste des réparateurs agréés de Black & Decker et de plus amples détails sur notre service après-vente sur le site Internet à l'adresse suivante : [www.2helpU.com](http://www.2helpU.com)

## Caractéristiques techniques

	AST8XC/KS700PE/KS701PE KS702PE/KS703PE
Tension	V <sub>AC</sub> 230
Puissance absorbée	W 480
Vitesse à vide	min <sup>-1</sup> 0-3.000
Profondeur de coupe max.	
Bois	mm 60
Acier	mm 5
Aluminium	mm 10
Poids	kg 1,9

### Niveau de la pression sonore selon la norme EN 60745 :

Pression acoustique (L<sub>pa</sub>) 86 dB(A), incertitude (K) 3 dB(A)

Puissance acoustique (L<sub>wa</sub>) 97 dB(A), incertitude (K) 3 dB(A)

### Valeurs totales de vibration (somme vectorielle triax) selon EN 60745 :

Coupe de bois (a<sub>n,CW</sub>) 8,5 m/s<sup>2</sup>, incertitude (K) 2,4 m/s<sup>2</sup>

Coupe de métal (a<sub>n,CW</sub>) 9,4 m/s<sup>2</sup>, incertitude (K) 3,3 m/s<sup>2</sup>

## Déclaration de conformité CE

DIRECTIVE MACHINES



AST8XC/KS700PE/KS701PE/KS702PE/KS703PE

Black & Decker déclare que ces produits décrits sous les "caractéristiques techniques" sont conformes avec :  
98/37/CE (jusqu'au 28 déc. 2009), 2006/42/CE  
(à compter du 29 déc. 2009), EN 60745-1, EN 60745-2-11

Pour en savoir plus, veuillez contacter Black & Decker à l'adresse suivante ou consultez le dos du manuel.

Le soussigné est responsable de la compilation du fichier technique et effectue cette déclaration au nom de Black & Decker.

Kevin Hewitt

Vice-président Ingénierie globale  
Black & Decker Europe, 210 Bath Road, Slough,  
Berkshire, SL1 3YD  
Royaume Uni  
1-10-2009

## Garantie

Black & Decker est confiant dans la qualité de ses produits et vous offre une garantie très étendue. Ce certificat de garantie est un document supplémentaire et ne peut en aucun cas se substituer à vos droits légaux. La garantie est valable sur tout le territoire des Etats Membres de l'Union Européenne et de la Zone de Libre Echange Européenne.

Si un produit Black & Decker s'avère défectueux en raison de matériaux en mauvaises conditions, d'une erreur humaine, ou d'un manque de conformité dans les 24 mois suivant la date d'achat, Black & Decker garantit le remplacement des pièces défectueuses, la réparation des produits usés ou cassés ou remplace ces produits à la convenance du client, sauf dans les circonstances suivantes :

- ◆ Le produit a été utilisé dans un but commercial, professionnel, ou a été loué.
- ◆ Le produit a été mal utilisé ou avec négligence.
- ◆ Le produit a subi des dommages à cause d'objets étrangers, de substances ou à cause d'accidents.
- ◆ Des réparations ont été tentées par des techniciens ne faisant pas partie du service technique de Black & Decker.

Pour avoir recours à la garantie, il est nécessaire de fournir une preuve d'achat au vendeur ou à un réparateur agréé.

Pour connaître l'adresse du réparateur agréé le plus proche de chez vous, contactez le bureau Black & Decker à l'adresse indiquée dans ce manuel. Vous pourrez aussi trouver une liste des réparateurs agréés de Black & Decker et de plus amples détails sur notre service après-vente sur le site Internet à l'adresse suivante : **[www.2helpU.com](http://www.2helpU.com)**

Visitez notre site Web **[www.blackanddecker.fr](http://www.blackanddecker.fr)** pour enregistrer votre nouveau produit Black & Decker et être informé des nouveaux produits et des offres spéciales. Pour plus d'informations concernant la marque Black & Decker et notre gamme de produits, consultez notre site **[www.blackanddecker.fr](http://www.blackanddecker.fr)**

## Uso previsto

Il seghetto alternativo Black & Decker è stato progettato per segare legno, plastica e fogli di metallo. L'utensile è stato progettato per un uso individuale.

## Precauzioni di sicurezza

### Avvisi generali di sicurezza per l'elettrotensile



**Attenzione! Leggere tutti gli avvisi e le istruzioni di sicurezza.** La mancata osservanza dei seguenti avvisi e istruzioni potrebbe causare scosse elettriche, incendi e/o infortuni gravi.

**Conservare tutte gli avvisi e le istruzioni per consultazioni future.** Il termine "elettrotensile" che ricorre in tutte le seguenti avvertenze si riferisce ad utensili elettrici con o senza filo.

1. **Sicurezza dell'area di lavoro**
    - a. **Mantenere pulita e bene illuminata l'area di lavoro.** Il disordine o la scarsa illuminazione possono causare incidenti.
    - b. **Evitare d'impiegare gli elettrotensili in ambienti esposti al rischio di esplosione, ad esempio in presenza di liquidi, gas o polveri infiammabili.**  
Gli elettrotensili producono scintille che possono far infiammare la polvere o i fumi.
    - c. **Mantenere lontani bambini ed astanti mentre si usa l'elettrotensile.** Eventuali distrazioni possono comportare la perdita del controllo dell'elettrotensile.
  2. **Sicurezza elettrica**
    - a. **La spina elettrica deve essere adatta alla presa. Evitare assolutamente di alterare la spina.**  
**Non impiegare spine adattatrici con elettrotensili provvisti di messa a terra.** L'uso di spine inalterate e corrispondenti alle prese della rete domestica riduce il rischio di scosse elettriche.
    - b. **Evitare il contatto fisico con superfici collegate a terra, come tubi, radiatori, forni e frigoriferi.** Un corpo collegato a terra è esposto maggiormente al rischio di scosse elettriche.
    - c. **Custodire gli elettrotensili al riparo dalla pioggia o dall'umidità.** L'eventuale infiltrazione di acqua in un elettrotensile aumenta il rischio di scosse elettriche.
    - d. **Non esporre il cavo a sollecitazioni. Non usare il cavo per trasportare o trainare l'elettrotensile e non tirarlo per estrarre la spina dalla presa di corrente.**  
**Mantenere il cavo a distanza da fonti di calore, olio, bordi taglienti e/o parti in movimento.** I cavi elettrici danneggiati o aggrovigliati aumentano il rischio di scosse elettriche.
  - e. **Se l'elettrotensile viene adoperato all'aperto, usare esclusivamente prolunghie omologate per l'impiego all'esterno.** Un cavo adatto per impieghi all'esterno riduce il rischio di scosse elettriche.
  - f. **Se l'uso di un elettrotensile in un ambiente umido è inevitabile, utilizzare una fonte di alimentazione dotata di un dispositivo di protezione da correnti residue (RCD).** L'uso di un RCD riduce il rischio di scosse elettriche.
3. **Sicurezza delle persone**
    - a. **È importante concentrarsi su ciò che si sta facendo e maneggiare con giudizio l'elettrotensile. Non adoperare l'elettrotensile se si è stanchi o sotto l'effetto di stupefacenti, alcol o medicinali.** Un attimo di distrazione durante l'uso dell'elettrotensile può causare gravi infortuni personali.
    - b. **Indossare un equipaggiamento protettivo. Utilizzare sempre occhiali protettivi di sicurezza.** Indossando un equipaggiamento protettivo, ad esempio: maschera antipolvere, calzature di sicurezza con suola antiscivolo, casco e protezioni per l'udito, in condizioni adeguate, si riduce il rischio di lesioni personali.
    - c. **Evitare l'accensione involontaria dell'elettrotensile. Verificare che l'interruttore di accensione sia posizionato su off prima di collegare il cavo di alimentazione o la batteria, di sollevare o trasportare l'elettrotensile.** Trasportare gli elettrotensili con il dito sull'interruttore di accensione o collegare all'alimentazione elettrotensili con l'interruttore posizionato su on, favorisce il verificarsi di incidenti.
    - d. **Prima di accendere un elettrotensile, togliere eventuali chiavi o attrezzi di regolazione.** Un attrezzo o una chiave lasciati in un componente mobile dell'elettrotensile possono causare lesioni.
    - e. **Non sporgersi. Mantenere sempre un buon equilibrio evitando posizioni malsicure.** In questo modo è possibile controllare meglio l'elettrotensile in situazioni inaspettate.
    - f. **Vestirsi adeguatamente. Evitare di indossare indumenti larghi o gioielli. Tenere capelli, vestiti e guanti lontani dalle parti in movimento.** Vestiti larghi, gioielli o capelli lunghi possono impigliarsi nei componenti in movimento.
    - g. **Se gli elettrotensili sono provvisti di attacchi per la connessione di dispositivi di aspirazione o raccolta della polvere, assicurarsi che questi siano installati e utilizzati correttamente.** L'uso di un dispositivo di aspirazione può ridurre i rischi correlati alle polveri.
  4. **Uso e cura degli elettrotensili**
    - a. **Non sovraccaricare l'elettrotensile. Usare un elettrotensile idoneo al lavoro da eseguire.**  
Un elettrotensile appropriato permetterà una migliore e più sicura lavorazione alla potenza nominale prevista.

- b. **Non utilizzare elettrodomestici con interruttori difettosi.**  
Un elettrodomestico che non può essere controllato mediante l'interruttore è pericoloso e deve essere riparato.
- c. **Scollegare la spina dalla presa e/o estrarre la batteria dall'elettrodomestico prima di eseguire regolazioni, di sostituire degli accessori o di riporre l'elettrodomestico.**  
Queste precauzioni riducono le possibilità che l'elettrodomestico venga messo in funzione accidentalmente.
- d. **Quando non vengono usati, gli elettrodomestici devono essere custoditi fuori della portata dei bambini. Non consentire l'uso dell'elettrodomestico a persone inesperte o che non abbiano letto le presenti istruzioni.** Gli elettrodomestici risultano pericolosi se usati da persone inesperte.
- e. **Sottoporre gli elettrodomestici alle procedure di manutenzione del caso. Verificare che le parti mobili siano bene allineate e non inceppate, che non vi siano componenti rotti e che non sussistano altre condizioni che possano compromettere il funzionamento dell'elettrodomestico. In caso di danni, riparare l'elettrodomestico prima dell'uso.** La scarsa manutenzione causa molti incidenti.
- f. **Mantenere affilati e puliti gli utensili da taglio.** Se sottoposti alla corretta manutenzione, gli utensili da taglio con taglienti affilati s'inceppano meno frequentemente e sono più facili da manovrare.
- g. **Utilizzare l'elettrodomestico, gli accessori, le punte ecc. in conformità alle presenti istruzioni, tenendo conto delle condizioni lavorative e del tipo di lavoro da eseguire.** L'impiego degli elettrodomestici per usi diversi da quelli previsti può dar luogo a situazioni di pericolo.
5. **Riparazioni**
- a. **Fare riparare l'elettrodomestico solo ed esclusivamente da personale specializzato e solo impiegando pezzi di ricambio originali.** Ciò permetterà di conservare le condizioni di sicurezza dell'elettrodomestico.

## Ulteriori avvisi di sicurezza per l'elettrodomestico



**Attenzione!** Ulteriori avvisi di sicurezza per seghetti alternativi e segatrici alternative

- ◆ **Eseguendo lavori in cui l'utensile da taglio può entrare in contatto con linee elettriche nascoste o con il cavo di alimentazione, afferrare l'elettrodomestico tramite le apposite impugnature isolanti.** Il contatto dell'accessorio da taglio con una "linea sotto tensione", può sottoporre a tensione le parti metalliche dell'elettrodomestico e provocare una scossa elettrica.

- ◆ **Utilizzare morsetti o un altro metodo sicuro per fissare e supportare il pezzo in lavorazione su una piattaforma stabile.** Se il pezzo in lavorazione è sostenuto a mano o appoggiato al proprio corpo, rimane in posizione instabile e si possono verificare perdite di controllo.
- ◆ **Mantenere le mani distanti dall'area di taglio.**  
Non toccare mai la parte sotto il pezzo in lavorazione, per nessun motivo. Non inserire le dita vicino alla lama del seghetto alternativo e al fermalama. Non stabilizzare il seghetto bloccando la piastra base.
- ◆ **Mantenere le lame affilate.** Lame non affilate o danneggiate possono deviare o bloccare il seghetto sotto pressione. Usare sempre lame di tipo adatto al materiale in lavorazione e al tipo di taglio.
- ◆ Tagliando tubi o condutture, verificare che non contengano acqua, cavi elettrici, ecc.
- ◆ Non toccare il pezzo in lavorazione o la lama immediatamente dopo la lavorazione. Possono diventare molto caldi.
- ◆ Porre attenzione ai pericoli nascosti: prima di eseguire tagli in pareti, pavimenti o soffitti, verificare l'ubicazione di cavi elettrici e tubazioni.
- ◆ La lama continuerà a muoversi dopo aver rilasciato l'interruttore. Prima di poggiare la sega, spegnerla e attendere sempre che la lama si arresti completamente.

**Attenzione!** Il contatto o l'inalazione di polveri generate dalle operazioni di taglio può creare rischi per la salute dell'operatore e degli eventuali astanti. Indossare una mascherina antipolvere specifica per polveri e fumi e controllare che anche le persone presenti o in arrivo nell'area di lavoro siano adeguatamente protette.

- ◆ Questo elettrodomestico non è destinato ad essere utilizzato da persone (bambini inclusi) con ridotte capacità fisiche, sensoriali o mentali, senza esperienza o non in possesso delle dovute conoscenze, senza la supervisione o l'addestramento sull'uso dell'elettrodomestico da parte di una persona responsabile per la loro sicurezza. Controllare i bambini per evitare che giochino con l'elettrodomestico.
- ◆ L'utilizzo previsto è quello indicato nel presente manuale. L'utilizzo di qualsiasi accessorio o attrezzatura o l'uso del presente elettrodomestico per scopi diversi da quelli consigliati nel presente manuale d'istruzioni potrebbero comportare il rischio di infortuni e/o danni alle proprietà.

## Vibrazioni

I valori delle vibrazioni dichiarati nei dati tecnici e nella dichiarazione di conformità sono stati misurati in conformità ai metodi di test standard descritti in: EN 60745 e possono essere utilizzati per comparare due elettrodomestici. I valori di emissioni dichiarati possono essere usati anche per una valutazione preliminare dell'esposizione.

**Attenzione!** Il valore delle vibrazioni durante l'uso dell'elettrotensile può differire dai valori dichiarati a seconda del modo in cui viene usato l'elettrotensile. Il livello di vibrazioni può aumentare rispetto al livello nominale.

Quando si valuta l'esposizione alle vibrazioni e si stabiliscono le misure di sicurezza richieste dalla direttiva 2002/44/CE per proteggere il personale che utilizza regolarmente gli elettrotensili nello svolgimento delle proprie funzioni, considerare una stima dell'esposizione alle vibrazioni, le effettive condizioni d'uso e il modo in cui l'elettrotensile viene usato, analizzando tutte le parti del ciclo operativo, ovvero i periodi in cui l'elettrotensile è spento o gira a vuoto, oltre al tempo in cui è in uso.

### Etichette sull'elettrotensile

Sull'elettrotensile sono presenti le seguenti immagini:



**Attenzione!** Per ridurre il rischio di lesioni, l'utente è tenuto a leggere il presente manuale di istruzioni.

### Sicurezza elettrica



Il doppio isolamento di cui è provvisto l'elettrotensile rende superfluo il filo di terra. Controllare sempre che l'alimentazione corrisponda alla tensione indicata sulla targhetta delle caratteristiche.

- ◆ Se il cavo elettrico in dotazione risulta danneggiato, deve essere sostituito dal produttore o da un Centro di assistenza autorizzato Black & Decker, onde evitare rischi.

### Funzioni

Questo elettrotensile è dotato di tutte le caratteristiche elencate di seguito, o di alcune di esse:

1. Interruttore acceso/spento
2. Pulsante di bloccaggio
3. Uscita per estrazione polvere
4. Piastra base
5. Rullo di sostegno lama
6. Selettore di corsa per taglio pendolare

### Fig. C

7. Vano per riporre la lama (KS702PE & KS703PE)

### Montaggio

**Attenzione!** Prima di tentare una delle seguenti operazioni, accertarsi che l'elettrotensile sia spento, che la spina sia disinserita dalla presa e che la lama della sega sia ferma. Le lame possono essere calde dopo l'uso.

### Inserimento e rimozione della lama (fig. A)

- ◆ Allentare (non rimuovere) le due viti (11).
- ◆ Mantenere la lama (8) con i denti rivolti in avanti.
- ◆ Inserire il codolo della lama (8) nel supporto della lama (10) per tutta la lunghezza possibile.
- ◆ Stringere leggermente le due viti (11) alternativamente per posizionare la lama, quindi serrare completamente le due viti (11).
- ◆ Per rimuovere la lama (8), ruotare entrambe le viti (11) di un giro in senso antiorario.

### Collegamento di un aspirapolvere all'elettrotensile (fig. B)

Per collegare un aspirapolvere o estrattore di polvere all'elettrotensile è necessario fare uso di un adattatore (12). L'adattatore può essere acquistato presso il rivenditore Black & Decker di zona.

- ◆ Inserire l'adattatore (12) nell'uscita per l'estrazione della polvere (3).
- ◆ Connettere il flessibile dell'aspirapolvere (13) all'adattatore (12).

### Riporre la lama (solo KS702PE & KS703PE) (fig. C)

È possibile riporre le lame (8) nell'apposito vano (7) posto sul lato dell'elettrotensile

- ◆ Aprire il coperchio del vano per riporre le lame (7) tenendo la linguetta nella parte superiore del coperchio e tirandola verso l'esterno.
- ◆ Estrarre o riporre le lame (8) nell'apposito vano. (7).
- ◆ Chiudere il coperchio del vano (7) e verificare che il coperchio sia ben serrato.

### Getto d'aria per pulire la linea di taglio (fig. D)

- ◆ Per migliorare la visibilità durante il taglio, il seghetto alternativo è dotato di un getto d'aria (14) per pulire la linea di taglio che manterrà l'area di lavoro pulita dalla polvere durante il taglio.

### Rischi residui.

Altri rischi residui che possono sorgere durante l'impiego dell'elettrotensile e che possono non essere stati contemplati dagli allegati avvisi di sicurezza. Tali rischi possono sorgere a seguito di un uso prolungato o improprio, ecc.

Perfino adottando gli appositi regolamenti di sicurezza e utilizzando i dispositivi di sicurezza, certi rischi residui non possono essere evitati. Essi comprendono:

- ◆ **Lesioni causate o subite a seguito del contatto con parti rotanti/in movimento.**
- ◆ **Lesioni causate o subite durante la sostituzione di parti, lame o accessori.**

- ◆ **Lesioni causate dall'impiego prolungato di un elettro utensile. Quando si usa qualsiasi elettro utensile per lunghi periodi, accertarsi di fare regolarmente delle pause.**
- ◆ **Problemi di udito.**
- ◆ **Rischi per la salute causati dall'aspirazione di polvere generata dall'utilizzo dell'elettro utensile (ad esempio quando si lavora con il legno, in modo particolare quello di quercia, faggio o l'MDF).**

## Uso

### Regolazione della piastra base per tagli inclinati (fig. E)

La piastra base (4) può essere regolata per realizzare tagli rettilinei o inclinati a destra o a sinistra con un angolo di 45°.

- ◆ Allentare le viti (9).
- ◆ Tirare la piastra base (4) in avanti, ruotarla (4) verso sinistra o verso destra e spingerla indietro nella posizione a 45°.
- ◆ Serrare le viti (9).

Per regolare la piastra base per i tagli dritti, procedere come segue:

- ◆ Allentare le viti (9).
- ◆ Tirare la piastra base (4) in avanti, ruotarla portandola al centro e spingerla indietro nella posizione a 0°.
- ◆ Serrare le viti (9).

Impostazione della corsa per il taglio pendolare (fig. F)

- ◆ Regolare il selettore della corsa per il taglio pendolare (6) sulla posizione desiderata.
  - Posizione 0: metallo, alluminio e fogli di metallo.
  - Posizione I: per laminati, legno duro, piani di lavoro.
  - Posizione II: per compensato e PVC/plastica.
  - Posizione III: per legno morbido e taglio veloce.

### Comando per la regolazione della velocità

L'elettro utensile è dotato di un interruttore di accensione/spengimento (on/off) (1) variabile. La velocità dell'elettro utensile dipende dalla pressione esercitata sull'interruttore.

- ◆ Utilizzare l'alta velocità per il legno, la velocità media per l'alluminio e il PVC e la bassa velocità per i metalli diversi dall'alluminio.

### Avviamento e spegnimento

- ◆ Per accendere l'elettro utensile, premere l'interruttore on/off (1).
- ◆ Per spegnere l'elettro utensile, rilasciare l'interruttore on/off (1).
- ◆ Per un funzionamento continuo, premere il pulsante di blocco (2) e rilasciare l'interruttore on/off (1).
- ◆ Per spegnere l'elettro utensile in modalità di funzionamento continuo, premere e rilasciare l'interruttore on/off (1).

### Taglio

- ◆ Impugnare saldamente l'elettro utensile con entrambe le mani durante il taglio.
- ◆ La piastra base deve essere mantenuta saldamente a contatto con il materiale da tagliare. In questo modo si evita che il seghetto possa saltare, si riducono le vibrazioni e si riduce al minimo il rischio di rottura della lama.
- ◆ Prima di iniziare il taglio, lasciare funzionare a vuoto la lama per pochi secondi.
- ◆ Quando si esegue il taglio, esercitare solo una leggera pressione sull'elettro utensile.

### Consigli per un'ottima utilizzazione

#### Taglio di laminati

Tagliando laminati, si possono creare scheggiature che danneggerebbero la superficie visibile. Le lame più diffuse completano il taglio durante la corsa verso l'alto, pertanto se la piastra base è a contatto con la superficie che rimarrà visibile, usare una lama che completa il taglio durante la corsa verso il basso, oppure:

- ◆ Fare uso di una lama a denti sottili.
- ◆ Eseguire il taglio a partire dalla superficie posteriore del pezzo.
- ◆ Per ridurre al minimo le scheggiature, fissare un pezzo di compensato o di truciolato su entrambi i lati del pezzo da lavorare e tagliare l'insieme risultante.

#### Taglio di metalli

- ◆ Il taglio di metalli richiede molto più tempo del taglio del legno.
- ◆ Utilizzare una lama adatta a segare il metallo.
- ◆ Quando si lavora con metallo in fogli, fissare un pezzo di compensato sulla superficie posteriore del foglio e tagliare l'insieme risultante.
- ◆ Prima di procedere con il taglio, lubrificare la linea di taglio con uno strato di olio.

### Manutenzione

Questo elettro utensile Black & Decker è stato progettato per funzionare a lungo con un minimo di manutenzione.

Per ottenere prestazioni sempre soddisfacenti occorre avere cura dell'elettro utensile e sottoporlo a pulizia e manutenzione periodica.

**Attenzione!** Prima di eseguire qualunque intervento di manutenzione o pulizia, accertarsi che l'elettro utensile sia spento, che la spina sia disinserita dalla presa e che la lama sia ferma.

- ◆ Pulire regolarmente con una spazzola morbida o un



panno asciutto le prese di ventilazione dell'elettrotensile e del caricabatteria.

- ◆ Il vano del motore deve essere pulito regolarmente con un panno umido. Non usare materiali abrasivi o detergenti a base di solventi. Non immergere mai alcuna parte dell'elettrotensile in alcun tipo di liquido ed evitare l'infiltrazione di liquidi al suo interno.

## Protezione dell'ambiente



Raccolta differenziata. Questo prodotto non deve essere smaltito con i normali rifiuti domestici.

Nel caso in cui si decida di sostituire l'apparecchio oppure di disfarsene in quanto non più necessario, non dovrà essere smaltito con i normali rifiuti domestici. Smaltire il prodotto tramite raccolta differenziata.



La raccolta differenziata di prodotti e imballaggi usati, consente il riciclaggio e il riutilizzo dei materiali. Riutilizzare i materiali riciclati aiuta a prevenire l'inquinamento ambientale e riduce la richiesta di materie prime.

In base alle normative locali, i servizi per la raccolta differenziata di elettrodomestici possono essere disponibili presso i punti di raccolta municipali o presso il rivenditore, al momento dell'acquisto di un nuovo prodotto.

Black & Decker offre ai suoi clienti un servizio per la raccolta differenziata e la possibilità di riciclare i prodotti Black & Decker che hanno esaurito la loro durata in servizio. Per usufruire del servizio, è sufficiente restituire il prodotto a qualsiasi tecnico autorizzato, incaricato della raccolta per conto dell'azienda.

Per individuare il tecnico autorizzato più vicino, rivolgersi alla sede Black & Decker locale, presso il recapito indicato nel presente manuale. Altrimenti un elenco completo di tutti i tecnici autorizzati Black & Decker e i dettagli completi sui contatti e i servizi post-vendita sono disponibili sul sito Internet: [www.2helpU.com](http://www.2helpU.com)

## Dati tecnici

		AST8XC/KS700PE/KS701PE KS702PE/KS703PE
Tensione	$V_{AC}$	230
Potenza assorbita	W	480
Velocità a vuoto	$\text{min}^{-1}$	0-3.000
Profondità massima di taglio		
Legno	mm	60
Acciaio	mm	5
Alluminio	mm	10
Peso	kg	1,9

### Livello di pressione sonora, dati conformi alla norma EN 60745:

Pressione sonora ( $L_{pA}$ ) 86 dB(A), incertezza (K) 3 dB(A)

Potenza acustica ( $L_{WA}$ ) 97 dB(A), incertezza (K) 3 dB(A)

### Valori totali di vibrazione (somma vettoriale triax) determinati in base a EN 60745:

Taglio del legno ( $a_{h,CW}$ ) 8.5  $\text{m/s}^2$ , incertezza (K) 2.4  $\text{m/s}^2$

Taglio del metallo ( $a_{h,CW}$ ) 9.4  $\text{m/s}^2$ , incertezza (K) 3.3  $\text{m/s}^2$

## Dichiarazione di conformità CE

DIRETTIVA MACCHINE



AST8XC/KS700PE/KS701PE/KS702PE/KS703PE

Black & Decker dichiara che i prodotti descritti nella sezione "dati tecnici" sono conformi con:

98/37/CE (fino al 28 dicembre 2009), 2006/42/CE (dal 29 dicembre 2009), EN 60745-1, EN 60745-2-11

Per ulteriori informazioni, contattare Black & Decker ai seguenti indirizzi o consultare il retro del manuale.

Il sottoscritto è responsabile della compilazione del file tecnico e rilascia la presente dichiarazione per conto di Black & Decker.

Kevin Hewitt

Vicepresidente progettazione globale  
Black & Decker Europe, 210 Bath Road, Slough,  
Berkshire, SL1 3YD  
Regno Unito  
1-10-2009

## Garanzia

Certa della qualità dei suoi prodotti, Black & Decker offre una garanzia eccezionale. Il presente certificato di garanzia è complementare ai diritti statutari e non li pregiudica in alcun modo. La garanzia è valida entro il territorio degli Stati membri dell'Unione Europea e dell'EFTA (European Free Trade Area).

Se un prodotto Black & Decker risulta difettoso per qualità del materiale, della costruzione o per mancata conformità entro 24 mesi dalla data di acquisto, Black & Decker garantisce la sostituzione delle parti difettose, provvede alla riparazione dei prodotti se ragionevolmente usurati oppure alla loro sostituzione, in modo da ridurre al minimo il disagio del cliente a meno che:

- ◆ Il prodotto non sia stato destinato ad usi commerciali, professionali o al noleggio;
- ◆ Il prodotto non sia stato usato in modo improprio o scorretto;
- ◆ Il prodotto non abbia subito danni causati da oggetti o sostanze estranee oppure incidenti;
- ◆ Il prodotto non abbia subito tentativi di riparazione non effettuati da tecnici autorizzati né dall'assistenza Black & Decker.

Per attivare la garanzia è necessario esibire la prova comprovante l'acquisto al venditore o al tecnico autorizzato. Per individuare il tecnico autorizzato più vicino, rivolgersi alla sede Black & Decker locale, presso il recapito indicato nel presente manuale. Altrimenti un elenco completo di tutti i tecnici autorizzati Black & Decker e i dettagli completi sui contatti e i servizi post-vendita sono disponibili su Internet presso: **[www.2helpU.com](http://www.2helpU.com)**

I clienti che desiderano registrare il nuovo prodotto Black & Decker e ricevere gli aggiornamenti sui nuovi prodotti e le offerte speciali, sono invitati a visitare il sito Web (**[www.blackanddecker.it](http://www.blackanddecker.it)**). Ulteriori informazioni sul marchio e la gamma di prodotti Black & Decker sono disponibili all'indirizzo **[www.blackanddecker.it](http://www.blackanddecker.it)**

## Gebruik volgens bestemming

Uw Black & Decker decoupeerzaag is ontworpen voor het zagen van hout, kunststof en metaalplaat. Deze machine is uitsluitend bestemd voor consumentengebruik.

## Veiligheidsvoorschriften

### Algemene veiligheidswaarschuwingen voor elektrisch gereedschap



**Waarschuwing! Lees alle veiligheidsinstructies en alle voorschriften.** Wanneer de volgende waarschuwingen en voorschriften niet in acht worden genomen, kan dit een elektrische schok, brand of ernstig letsel tot gevolg hebben.

### Bewaar alle waarschuwingen en instructies zorgvuldig.

Het hierna gebruikte begrip "elektrisch gereedschap" heeft betrekking op elektrische gereedschappen voor gebruik op het stroomnet (met netsnoer) of op batterijen (snoerloos).

#### 1. Veiligheid van de werkomgeving

- a. **Houd uw werkomgeving schoon en opgeruimd.**  
Een rommelige en een onverlichte werkomgeving kan tot ongevallen leiden.
- b. **Werk niet met elektrische gereedschappen in een omgeving met explosiegevaar, zoals in aanwezigheid van brandbare vloeistoffen, gassen of stof.** Elektrische gereedschappen veroorzaken vonken die het stof of de dampen tot ontsteking kunnen brengen.
- c. **Houd kinderen en andere personen tijdens het gebruik van het elektrische gereedschap uit de buurt.** Wanneer u wordt afgeleid, kunt u de controle over het gereedschap verliezen.

#### 2. Elektrische veiligheid

- a. **De netstekker van het gereedschap moet in het stopcontact passen. De stekker mag in geen geval worden veranderd. Gebruik geen adapterstekkers in combinatie met gearde gereedschappen.**  
Onveranderde stekkers en passende stopcontacten verminderen de kans op een elektrische schok.
- b. **Voorkom aanraking van het lichaam met gearde oppervlakken, bijvoorbeeld buizen, verwarmingen, fornuizen en koelkasten.** De kans op een elektrische schok is groter als uw lichaam geard is.
- c. **Stel elektrisch gereedschap niet bloot aan regen en vocht.** In elektrisch gereedschap binnendringend water vergroot de kans op een elektrische schok.

- d. **Gebruik het snoer niet voor een verkeerd doel. Gebruik het snoer niet om het gereedschap te dragen, voor te trekken of om de stekker uit het stopcontact te trekken. Houd het snoer uit de buurt van hitte, olie, scherpe randen of bewegende delen.** Beschadigde of in de war geraakte snoeren vergroten de kans op een elektrische schok.
- e. **Gebruik wanneer u buitenshuis met elektrisch gereedschap werkt alleen verlengsnoeren die voor gebruik buitenshuis zijn goedgekeurd.** Het gebruik van een voor gebruik buitenshuis geschikt verlengsnoer verkleint de kans op een elektrische schok.
- f. **Gebruik een netvoeding voorzien van een reststroomvoorziening (RCD) indien het gebruiken van elektrisch gereedschap op een vochtige locatie onvermijdelijk is.** Gebruik van een reststroomvoorziening verkleint het risico van elektrische schok.

#### 3. Veiligheid van personen

- a. **Wees alert, let goed op wat u doet en ga met verstand te werk bij het gebruik van elektrische gereedschappen.** Gebruik elektrisch gereedschap niet wanneer u moe bent of onder invloed van drugs, alcohol of medicijnen. Een moment van onoplettendheid bij het gebruik van het gereedschap kan tot ernstige verwondingen leiden.
- b. **Gebruik persoonlijke beschermende uitrusting. Draag altijd oogbescherming.** Persoonlijke beschermende uitrusting zoals een stofmasker, slipvast werkschoenen, een veiligheidshelm of gehoorbescherming, gebruikt voor geschikte condities, verkleint het risico van verwondingen.
- c. **Voorkom onbedoeld inschakelen. Zorg ervoor dat de schakelaar in de "uit"-stand staat voordat u de stekker in het stopcontact steekt, de accu plaatst of het gereedschap oppakt of draagt.** Het dragen van het gereedschap met uw vinger aan de schakelaar of het gereedschap ingeschakeld op de stroomvoorziening aansluiten kan tot ongelukken leiden.
- d. **Verwijder stelsleutels of moersleutels voordat u het gereedschap inschakelt.** Een sleutel in een draaiend onderdeel van het elektrische gereedschap kan tot verwondingen leiden.
- e. **Reik niet te ver. Zorg altijd dat u stevig staat en in evenwicht blijft.** Daardoor kunt u het gereedschap in onverwachte situaties beter onder controle houden.
- f. **Draag geschikte kleding. Draag geen loshangende kleding of sieraden. Houd haren, kleding en handschoenen uit de buurt van bewegende delen.** Loshangende kleding, sieraden en lange haren kunnen bekneld raken in bewegende delen.
- g. **Sluit eventueel bijgeleverde stofafzuig- of stofopvangvoorzieningen aan en gebruik ze op de juiste manier.** Het gebruik van stofopvang beperkt het gevaar door stof.

4. **Gebruik en onderhoud van elektrische gereedschappen**
  - a. **Overbelast het gereedschap niet. Gebruik voor uw toepassing het daarvoor bestemde elektrische gereedschap.** Met het passende elektrische gereedschap werkt u beter en veiliger binnen het aangegeven capaciteitsbereik.
  - b. **Gebruik geen elektrisch gereedschap waarvan de schakelaar defect is.** Elektrisch gereedschap dat niet meer kan worden in- of uitgeschakeld is gevaarlijk en moet worden gerepareerd.
  - c. **Trek de stekker uit het stopcontact en/of accu alvorens het gereedschap af te stellen, accessoires te verwisselen of elektrisch gereedschap op te bergen.** Deze voorzorgsmaatregel voorkomt onbedoeld starten van het gereedschap.
  - d. **Bewaar elektrische gereedschappen die niet worden gebruikt buiten bereik van kinderen. Laat personen die niet met het gereedschap vertrouwd zijn of deze aanwijzingen niet hebben gelezen niet met het gereedschap werken.** Elektrische gereedschappen zijn gevaarlijk in de handen van onervaren personen.
  - e. **Verzorg het gereedschap zorgvuldig. Controleer bewegende delen van het gereedschap op goede uitlijning en soepele werking. Controleer of onderdelen niet gebroken zijn of dat de werking van het gereedschap niet op enige andere wijze nadelig wordt beïnvloed. Laat beschadigde delen repareren voordat u met het gereedschap gaat werken.** Veel ongevallen worden veroorzaakt door slecht onderhouden elektrische gereedschappen.
  - f. **Houd snijgereedschappen scherp en schoon.** Zorgvuldig onderhouden snijgereedschappen met scherpe snijkanten lopen minder snel vast en zijn gemakkelijker te sturen.
  - g. **Gebruik elektrische gereedschappen, toebehoren, inzetgereedschappen en dergelijke volgens deze aanwijzingen. Let daarbij op de arbeidsomstandigheden en de uit te voeren werkzaamheden.** Het gebruik van elektrische gereedschappen voor andere dan de voorziene toepassingen kan tot gevaarlijke situaties leiden.
5. **Service**
  - a. **Laat het elektrische gereedschap alleen repareren door een gekwalificeerde reparateur en alleen met gebruik van originele vervangingsonderdelen.** Dit garandeert de veiligheid van het gereedschap.

## Aanvullende veiligheidsaanschuivingen voor elektrisch gereedschap



**Waarschuwing!** Aanvullende veiligheidsaanschuivingen voor decoupeerzagen en reciprozagen

- ◆ **Houd de machine alleen aan de geïsoleerde greepvlakken vast als u werkzaamheden uitvoert waarbij het zaagblad verborgen stroomleidingen of de eigen machinekabel kan raken.** Het zaagaccessoire dat een onder spanning staande leiding raakt, zetten ook de zichtbare metalen machinedelen onder spanning; dit kan leiden tot een elektrische schok.
- ◆ **Hanteer klemmen of een andere praktische manier om het werkstuk op een stabiele ondergrond vast te klemmen en te ondersteunen.** Het werkstuk met de hand vasthouden of tegen het lichaam houden zorgt voor instabiliteit en kan leiden tot controleverlies.
- ◆ **Houd uw handen uit de buurt van de zaagomgeving.** Grijp om welke reden dan ook nooit onder het werkstuk. Plaats geen vingers of duim in de buurt van het bewegende zaagblad en zaagbladklem. Stabiliseer de zaag niet door het vastpakken van de zaagschoen.
- ◆ **Houd de zaagbladen scherp.** Botte en beschadigde zaagbladen kunnen ervoor zorgen dat de zaag onder druk gaat zwenken of vast komt te zitten. Gebruik altijd het geschikte type zaagblad voor het te bewerken materiaal en de te verrichten zaagsnede.
- ◆ **Wanneer u een pijp of een leiding zaagt, zorg ervoor dat deze vrij zijn van water, elektrische bedrading, etc.**
- ◆ **Raak het werkstuk of zaagblad niet direct aan nadat u de machine heeft gebruikt.** Het werkstuk en zaagblad kunnen erg heet worden.
- ◆ **Let op verborgen gevaren.** Controleer voordat u gaat zagen in muren, vloeren of plafonds de locatie van eventueel aanwezige gas-, water- en elektriciteitsleidingen.
- ◆ **Het zaagblad blijft draaien nadat de schakelaar wordt losgelaten.** Schakel altijd de machine uit en wacht altijd tot het zaagblad volledig tot stilstand is gekomen voordat u de machine neerlegt.

**Waarschuwing!** Contact met of inademing van stoffen die veroorzaakt worden door zaagtoepassingen kunnen de gezondheid van de gebruiker en mogelijke omstanders ernstig schaden. Draag een stofmasker dat speciaal ontworpen is ter bescherming tegen stoffen en dampen en verzeker u ervan dat andere personen op de werkvloer of die de werkvloer betreden eveneens beschermd zijn.

- ◆ Deze machine is niet bedoeld voor gebruik door personen (inclusief kinderen) met beperkt lichamelijk, zintuigelijk of geestelijk vermogen, of gebrek aan ervaring en kennis, tenzij hen de supervisie of instructie is gegeven omtrent het gebruik van de machine door een persoon die verantwoordelijk is voor hun veiligheid. Houd toezicht op kinderen om ervoor te zorgen dat zij niet met het apparaat gaan spelen.
- ◆ Het gebruik volgens bestemming is beschreven in deze handleiding. Gebruik ter voorkoming van lichamelijk letsel en/of materiële schade uitsluitend de in deze gebruiksaanwijzing aanbevolen accessoires en hulpstukken. Gebruik het instrument uitsluitend volgens bestemming.

### Vibratie

De verklaarde trillingsafgifte in het gedeelte van de technische gegevens / conformiteitsverklaring zijn gemeten volgens een standaard testmethode vastgesteld door EN 60745 en kan worden gebruikt om apparaten met elkaar te vergelijken. De verklaarde trillingsafgifte kan ook worden gebruikt in een voorlopige beoordeling van blootstelling.

**Waarschuwing!** De waarde van de trillingsafgifte tijdens daadwerkelijk gebruik van elektrisch gereedschap kan afwijken van de verklaarde waarde afhankelijk op wat voor manieren het apparaat wordt gebruikt. Het trillingsniveau kan toenemen boven het aangegeven niveau.

Bij het bepalen van de trillingsblootstelling ter vaststelling van de veiligheidsmaatregelen vereist door 2002/44/EG - ter bescherming van personen die werkmagtig geregeld elektrisch gereedschap gebruiken - dient een inschatting van de trillingsblootstelling de feitelijke gebruikscondities en bedieningswijze in acht te nemen, inclusief alle onderdelen van de bedieningscyclus, zoals het uitschakelen van het apparaat en het onbelast laten lopen alsmede de trekkertijd.

### Labels op de machine

Op de machine vindt u de volgende pictogrammen:



**Waarschuwing!** De gebruiker moet de handleiding lezen om risico op letsel te verkleinen

### Elektrische veiligheid



Deze machine is dubbel geïsoleerd; een aardaansluiting is daarom niet noodzakelijk. Controleer altijd of uw netspanning overeenkomt met de waarde op het typeplaatje.

- ◆ Indien het netsnoer is beschadigd, dient het ter voorkoming van gevaren te worden vervangen door de fabrikant of een erkend servicecentrum.

### Onderdelen

Al naar gelang de uitvoering beschikt deze machine over de volgende onderdelen:

1. Aan/uit-schakelaar
2. Vergrendelingsknop
3. Stofafzuigaansluiting
4. Zaagschoen
5. Steunrol voor het zaagblad
6. Keuzeschakelaar pendelbeweging

### Fig. C

7. Opbergvak voor het zaagblad (KS702PE & KS703PE)

### Assemblage

**Waarschuwing!** Zorg vóór aanvang van de volgende handelingen dat de machine is uitgeschakeld, de netstekker van het lichtnet is losgekoppeld en dat het zaagblad stil staat. Zaagbladen kunnen direct na gebruik heet zijn.

### Aanbrengen en verwijderen van het zaagblad (fig. A)

- ◆ Draai de twee schroeven (11) los (verwijder ze niet).
- ◆ Houd het zaagblad (8) met de tanden naar voren gericht.
- ◆ Plaats de schacht van het zaagblad (8) zover mogelijk in de zaagbladhouder (10).
- ◆ Draai de twee schroeven (11) om beurten zachtjes aan om het blad goed op zijn plaats aan te brengen en draai de twee schroeven (11) vervolgens helemaal vast.
- ◆ Draai beide schroeven (11) een hele slag linksom om het zaagblad (8) te verwijderen.

### Aansluiten van een stofzuiger op de machine (fig. B)

Om een stofzuiger op het gereedschap aan te sluiten, is een tussenstuk (12) nodig. Dit tussenstuk is verkrijgbaar bij uw plaatselijke Black & Decker verkooppunt.

- ◆ Steek de adapter (12) in de stofzuigaansluiting (3).
- ◆ Sluit het mondstuk van de stofzuigerslang (13) aan op het tussenstuk (12).

### Opbergruimte voor zaagbladen (alleen KS702PE & KS703PE) (fig. C)

Zaagbladen (8) kunnen worden bewaard in de opbergruimte (7) aan de zijkant van de machine.

- ◆ Open de klep van de opbergruimte (7) door de lip boven de klep naar buiten te trekken.
- ◆ Haal de zaagbladen (8) uit de opbergruimte of leg ze erin (7).
- ◆ Sluit de klep van de opbergruimte voor zaagbladen (7) en controleer of de klep vergrendeld is.

## Zaaglijnblazer (fig. D)

- ◆ Voor een beter zicht tijdens het zagen is de decoupeerzaag voorzien van een zaaglijnblazer (14) die het werkgebied stofvrij houdt terwijl u zaagt.

## Overige risico's.

Er kunnen zich tijdens het gebruik van het gereedschap ook andere risico's voordoen die misschien niet in de bijgevoegde veiligheidswaarschuwingen worden vermeld. Deze risico's kunnen zich voordoen als gevolg van onoordeelkundig gebruik, langdurig gebruik, enz.

Zelfs als de veiligheidsvoorschriften in acht worden genomen en de veiligheidsvoorzieningen worden geïmplementeerd, kunnen bepaalde risico's niet worden vermeden. Deze omvatten:

- ◆ **Verwondingen die worden veroorzaakt door het aanraken van draaiende of bewegende onderdelen.**
- ◆ **Verwondingen die worden veroorzaakt bij het vervangen van onderdelen, bladen of accessoires.**
- ◆ **Verwondingen die worden veroorzaakt door langdurig gebruik van het gereedschap. Als u langere periodes met het gereedschap werkt, is het raadzaam om regelmatig een pauze in te lassen.**
- ◆ **Gehoorschadiging.**
- ◆ **Gezondheidsrisico's als gevolg van het inademen van stof dat door gebruik van het gereedschap wordt veroorzaakt (bijvoorbeeld tijdens het werken met hout, vooral eiken, beuken en MDF.)**

## Gebruik

### Instellen van de zaagschoen voor verstekzagen (fig. E)

De zaagschoen (4) kan worden ingesteld om recht of onder een hoek van 45° (links of rechts) onder verstek te zagen.

- ◆ Draai de schroeven (9) los.
- ◆ Trek de zaagschoen (4) naar voren. Draai de zaagschoen (4) naar links of rechts en druk deze terug in de positie voor verstekzagen onder een hoek van 45°.
- ◆ Draai de schroeven (9) vast.

Om de zaagschoen weer voor rechte zaagsneden af te stellen:

- ◆ Draai de schroeven (9) los.
- ◆ Trek de zaagschoen (4) naar voren. Draai de zaagschoen naar het midden en druk de zaagschoen terug in de positie voor zagen onder een hoek van 0°.
- ◆ Draai de schroeven (9) vast.

Pendelbeweging instellen (fig. F)

- ◆ Zet de keuzeschakelaar (6) in de gewenste positie.
  - Positie 0: metaal, aluminium en metaalplaat.
  - Positie I: laminaat, hardhout en werkbladen.
  - Positie II: gelaagd hout en PVC/plastic materialen.
  - Positie III: zachthout en snel zagen.

## Variabele snelheidsregeling

De machine heeft een aan/uit-schakelaar met variabele snelheidsknop (1). De bedieningssnelheid hangt af van hoever u de schakelaar indrukt.

- ◆ Gebruik een hoge snelheid voor hout, een gemiddelde snelheid voor aluminium en PVC en een lage snelheid voor metalen anders dan aluminium.

## Aan- en uitschakelen

- ◆ Om de machine in te schakelen, drukt u de aan/uitschakelaar (1) in.
- ◆ Om de machine uit te schakelen, laat u de aan/uitschakelaar (1) los.
- ◆ Voor continu-bediening: houd de vergrendelingsknop (2) ingedrukt en laat de aan/uitschakelaar (1) los.
- ◆ Om de machine uit te schakelen terwijl hij in de continu-stand staat, drukt u de aan/uitschakelaar (1) in en laat deze weer los.

## Zagen

- ◆ Houd de machine met beide handen stevig vast tijdens het zagen.
- ◆ De zaagschoen moet stevig tegen het materiaal dat wordt gezaagd worden gehouden. Zo voorkomt u dat de zaag gaat springen, vermindert u de vibratie en beperkt u bladbreuk tot een minimum.
- ◆ Laat het zaagblad een paar seconden vrij draaien voordat u een zaagsnede maakt.
- ◆ Oefen alleen een lichte druk uit op de machine tijdens het maken van de zaagsnede.

## Tips voor optimaal gebruik

### Zagen van laminaten

Wanneer u laminaat zaagt, kan splintervorming optreden waardoor de bovenkant beschadigd kan raken. De meeste zaagbladen zagen tijdens de opwaartse slag. Dus als de zaagschoen zich op de bovenkant van het laminaat bevindt, gebruikt u een zaagblad dat tijdens de neerwaartse slag zaagt of:

- ◆ Gebruik een fijngetand zaagblad.
- ◆ Zaag vanaf de achterkant van het werkstuk.
- ◆ Om splinteren tot een minimum te beperken, klemt u een stuk afvalhout of hardboard aan beide kanten van het werkstuk en zaagt u door deze "sandwich".

### Zagen van metaal

- ◆ Bedenk dat het zagen van metaal veel meer tijd vraagt dan het zagen van hout.
- ◆ Gebruik een zaagblad dat geschikt is voor het zagen van metaal.

- ◆ Voor het zagen van dun plaatmateriaal klemt u een stuk afvalhout tegen de achterkant van het werkstuk en zaagt u door deze "sandwich".
- ◆ Smeer een oliefilm langs de zaagsnede.

U kunt het adres van het dichtstbijzijnde servicecentrum opvragen via de adressen op de achterzijde van deze handleiding. U kunt ook een lijst van onze servicecentra en meer informatie m.b.t. onze klantenservice vinden op het volgende Internet-adres: [www.2helpU.com](http://www.2helpU.com)

## Onderhoud

Uw Black & Decker apparaat is ontworpen om gedurende een lange periode te functioneren met een minimum aan onderhoud. Voortdurend tevreden gebruik is afhankelijk van correct onderhoud en regelmatig schoonmaken.

**Waarschuwing!** Zorg vóór aanvang van onderhoud of reiniging dat de machine is uitgeschakeld en de netstekker van het lichtnet is losgekoppeld en dat het zaagblad stil staat.

- ◆ Reinig regelmatig de ventilatieopeningen van de machine en oplader met behulp van een zachte borstel of een droge doek.
- ◆ Reinig regelmatig de behuizing van de motor met een vochtige doek. Gebruik geen schuur- of oplosmiddel bij het reinigen. Zorg ervoor dat er geen vloeistof in het instrument kan komen en dompel geen enkel onderdeel van de machine ooit onder in vloeistof.

## Milieu



Gescheiden inzameling. Dit product mag niet met het gewone huishoudelijke afval worden weggegooid.

Wanneer uw oude Black & Deckerproduct aan vervanging toe is of het u niet langer van dienst kan zijn, gooi het dan niet bij het huishoudelijk afval. Zorg ervoor dat het product gescheiden kan worden ingezameld.



Door gebruikte producten en verpakkingen gescheiden in te zamelen, worden de materialen gerecycled en opnieuw gebruikt. Hergebruik van gerecyclede materialen voorkomt milieuvervuiling en vermindert de vraag naar grondstoffen.

Inzamelpunten voor gescheiden inzameling van elektrische huishoudproducten bij gemeentelijke vuilnisbergen of bij de verkoper waar u een nieuw product koopt, kunnen aan plaatselijke voorschriften gebonden zijn.

Black & Decker biedt de mogelijkheid tot inzamelen en recyclen van afgedankte Black & Decker producten. Om gebruik van deze service te maken, dient u het product aan een van onze servicecentra te sturen, die voor ons de inzameling verzorgen.

## Technische gegevens

AST8XC/KS700PE/KS701PE KS702PE/KS703PE	
Spanning	V <sub>AC</sub> 230
Opgenomen vermogen	W 480
Onbelast toerental	min <sup>-1</sup> 0-3.000
Max. freesdiepte	
Hout	mm 60
Staal	mm 5
Aluminium	mm 10
Gewicht	kg 1,9

### Niveau van de geluidsdruk volgens EN 60745:

Geluidsdruk (L<sub>pa</sub>) 86 dB(A), onzekerheid (K) 3 dB(A)

Geluidsvermogen (L<sub>wa</sub>) 97 dB(A), onzekerheid (K) 3 dB(A)

### Totale trillingswaarden (triaxiale vectorsom) volgens EN 60745:

Zagen van hout (a<sub>h,cw</sub>) 8.5 m/s<sup>2</sup>, onzekerheid (K) 2.4 m/s<sup>2</sup>

Zagen van metaal (a<sub>m,cw</sub>) 9.4 m/s<sup>2</sup>, onzekerheid (K) 3.3 m/s<sup>2</sup>

## EG-conformiteitsverklaring

MACHINERICHTLIJN



AST8XC/KS700PE/KS701PE/KS702PE/KS703PE

Black & Decker verklaart dat deze producten, zoals onder "technische gegevens" beschreven, overeenkomstig zijn met: 98/37/EG (tot 28 dec. 2009), 2006/42/EG (vanaf 29 dec. 2009), EN 60745-1, EN 60745-2-11

Neem voor meer informatie contact op met Black & Decker via het volgende adres of zie de achterzijde van de handleiding.

De ondergetekende is verantwoordelijk voor de samenstelling van de technische gegevens en geeft deze verklaring namens Black & Decker.

Kevin Hewitt

Vice-President Global Engineering

Black & Decker Europe, 210 Bath Road, Slough,

Berkshire, SL1 3YD

Verenigd Koninkrijk

1-10-2009

## Garantie

Black & Decker heeft vertrouwen in zijn producten en biedt een uitstekende garantie. Deze garantiebepalingen vormen een aanvulling op uw wettelijke rechten en beperken deze niet. De garantie geldt in de lidstaten van de Europese Unie en de Europese Vrijhandelsassociatie.

Mocht uw Black & Decker product binnen 24 maanden na datum van aankoop defect raken tengevolge van materiaal- of constructiefouten, dan garanderen wij de kosteloze vervanging van defecte onderdelen, de reparatie van het product of de vervanging van het product, tenzij:

- ◆ Het product is gebruikt voor handelsdoeleinden, professionele toepassingen of verhuurdoeleinden;
- ◆ Het product onoordeelkundig is gebruikt;
- ◆ Het product is beschadigd door invloeden van buitenaf of door een ongeval;
- ◆ Reparaties zijn uitgevoerd door anderen dan onze servicecentra of Black & Decker personeel.

Om een beroep op de garantie te doen, dient u een aankoopbewijs te overhandigen aan de verkoper of een van onze servicecentra. U kunt het adres van het dichtstbijzijnde servicecentrum opvragen via de adressen op de achterzijde van deze handleiding. U kunt ook een lijst van onze servicecentra en meer informatie m.b.t. onze klantenservice vinden op het volgende Internet-adres: **[www.2helpU.com](http://www.2helpU.com)**

Meld u aan op onze website **[www.blackanddecker.nl](http://www.blackanddecker.nl)** om te worden geïnformeerd over nieuwe producten en speciale aanbiedingen. Verdere informatie over het merk Black & Decker en onze producten vindt u op **[www.blackanddecker.nl](http://www.blackanddecker.nl)**



## Finalidad

Su caladora Black & Decker ha sido diseñada para serrar madera, plástico y chapa. Esta herramienta está pensada únicamente para uso doméstico.

## Instrucciones de seguridad

### Advertencias de seguridad generales para herramientas eléctricas



**¡Atención! Lea todas las advertencias e instrucciones de seguridad.** En caso de no respetarse las advertencias e instrucciones indicadas a continuación, podría producirse una descarga eléctrica, incendio y/o lesión grave.

**Conserve todas las advertencias e instrucciones para su posterior consulta.** El término "herramienta eléctrica" empleado en las advertencias indicadas a continuación se refiere a la herramienta eléctrica con alimentación de red (con cable) o alimentada por pila (sin cable).

1. **Seguridad del área de trabajo**
  - a. **Mantenga limpia y bien iluminada el área de trabajo.** El desorden o una iluminación deficiente en las áreas de trabajo pueden provocar accidentes.
  - b. **No utilice la herramienta eléctrica en un entorno con peligro de explosión, en el que se encuentren combustibles líquidos, gases o material en polvo.** Las herramientas eléctricas producen chispas que pueden llegar a inflamar los materiales en polvo o vapores.
  - c. **Mantenga alejados a los niños y otras personas del área de trabajo al emplear la herramienta eléctrica.** Una distracción le puede hacer perder el control sobre la herramienta.
2. **Seguridad eléctrica**
  - a. **El enchufe de la herramienta eléctrica debe corresponder a la toma de corriente utilizada. No es admisible modificar el enchufe en forma alguna. No emplee adaptadores en herramientas eléctricas dotadas con una toma de tierra.** Los enchufes sin modificar adecuados a las respectivas tomas de corriente reducen el riesgo de una descarga eléctrica.
  - b. **Evite que su cuerpo toque partes conectadas a tierra como tuberías, radiadores, cocinas y refrigeradores.** El riesgo a quedar expuesto a una descarga eléctrica es mayor si su cuerpo tiene contacto con tierra.
  - c. **No exponga las herramientas eléctricas a la lluvia y evite que penetren líquidos en su interior.** Existe el peligro de recibir una descarga eléctrica si penetran ciertos líquidos en la herramienta eléctrica.
  - d. **Cuide el cable eléctrico. No utilice el cable eléctrico para transportar o colgar la herramienta eléctrica, ni tire de él para sacar el enchufe de la toma de corriente. Mantenga el cable eléctrico alejado del calor, aceite, bordes afilados o piezas móviles.** Los cables eléctricos dañados o enredados pueden provocar una descarga eléctrica.
  - e. **Al trabajar con la herramienta eléctrica en la intemperie utilice solamente cables alargadores homologados para su uso en exteriores.** La utilización de un cable alargador adecuado para su uso en exteriores reduce el riesgo de una descarga eléctrica.
  - f. **Si fuera inevitable la utilización de una herramienta eléctrica en un lugar húmedo, utilice un suministro protegido con un dispositivo de corriente residual (RCD).** La utilización de un dispositivo de corriente residual reduce el riesgo de descarga eléctrica.
3. **Seguridad personal**
  - a. **Esté atento a lo que hace y emplee la herramienta eléctrica con prudencia. No utilice la herramienta eléctrica si estuviese cansado, ni tampoco después de haber consumido alcohol, drogas o medicamentos.** El no estar atento durante el uso de una herramienta eléctrica puede provocar serias lesiones.
  - b. **Utilice equipos de protección personal. Lleve siempre protección ocular.** Los equipos de protección tales como una mascarilla antipolvo, zapatos de seguridad con suela antideslizante, casco o protectores auditivos, utilizados en condiciones adecuadas, contribuyen a reducir las lesiones personales.
  - c. **Evite una puesta en marcha involuntaria. Asegúrese de que el interruptor esté en la posición de apagado antes de conectar a la fuente de alimentación o la batería, coger o transportar la herramienta.** Si se transportan herramientas eléctricas con el dedo sobre el interruptor o si se enchufan con el interruptor encendido puede dar lugar a accidentes.
  - d. **Retire las herramientas de ajuste o llaves fijas antes de conectar la herramienta eléctrica.** Una herramienta o llave colocada en una pieza giratoria de la herramienta eléctrica puede producir lesiones al ponerse a funcionar.
  - e. **Sea precavido. Evite adoptar una posición que fatigue su cuerpo; mantenga un apoyo firme sobre el suelo y conserve el equilibrio en todo momento.** Ello le permitirá controlar mejor la herramienta eléctrica en caso de presentarse una situación inesperada.
  - f. **Lleve puesta una vestimenta de trabajo adecuada. No lleve vestidos anchos ni joyas. Mantenga su pelo, vestimenta y guantes alejados de las piezas móviles.** La vestimenta suelta, las joyas y el pelo largo se pueden enganchar con las piezas en movimiento.

- g. **Siempre que sea posible utilizar unos equipos de aspiración o captación de polvo, asegúrese que éstos estén montados y que sean utilizados correctamente.**

El empleo de equipos de recogida de polvo reduce los riesgos derivados del polvo.

4. **Uso y cuidado de herramientas eléctricas**

- a. **No sobrecargue la herramienta eléctrica. Use la herramienta eléctrica prevista para el trabajo a realizar.** Con la herramienta eléctrica adecuada podrá trabajar mejor y más seguro dentro del margen de potencia indicado.

- b. **No utilice herramientas eléctricas con un interruptor defectuoso.** Las herramientas eléctricas que no se puedan conectar o desconectar son peligrosas y deben hacerse reparar.

- c. **Desconecte el enchufe de la fuente eléctrica y/o la batería de la herramienta eléctrica antes de realizar ajustes, cambiar accesorios o almacenar la herramienta eléctrica.** Esta medida preventiva reduce el riesgo de conectar accidentalmente la herramienta eléctrica.

- d. **Guarde las herramientas eléctricas fuera del alcance de los niños y de las personas que no estén familiarizadas con su uso.** Las herramientas eléctricas utilizadas por personas inexpertas son peligrosas.

- e. **Cuide sus herramientas eléctricas con esmero. Controle si funcionan correctamente, sin atascarse, las partes móviles de la herramienta eléctrica, y si existen partes rotas o deterioradas que pudieran afectar al funcionamiento de la herramienta. Si la herramienta eléctrica estuviese defectuosa haga que la reparen antes de volver a utilizarla.** Muchos accidentes se deben a herramientas eléctricas con un mantenimiento deficiente.

- f. **Mantenga las herramientas de corte limpias y afiladas.** Las herramientas de corte mantenidas correctamente se dejan guiar y controlar mejor.

- g. **Utilice la herramienta eléctrica, los accesorios y las puntas de la herramienta, etc. de acuerdo a estas instrucciones, teniendo en cuenta las condiciones de trabajo y la tarea a realizar.** El uso de herramientas eléctricas para trabajos diferentes de aquellos para los que han sido concebidas puede resultar peligroso.

5. **Servicio técnico**

- a. **Haga reparar su herramienta eléctrica sólo por personal técnico autorizado que emplee exclusivamente piezas de repuesto originales.** Solamente así se garantiza la seguridad de la herramienta eléctrica.

**Advertencias de seguridad adicionales para herramientas eléctricas**



¡Atención! Advertencias de seguridad adicionales para caladoras y sierras alternativas

- ◆ **Sujete la herramienta por las empuñaduras aisladas al realizar trabajos en los que la herramienta de corte pueda tocar cables eléctricos ocultos o su propio cable.** El accesorio de corte que haga contacto con cables con corriente pueden hacer que las partes metálicas al descubierto de la herramienta eléctrica provoquen una descarga al usuario.

- ◆ **Utilice mordazas u otra forma práctica para fijar y soportar la pieza de trabajo a una plataforma estable.** Sujetar el trabajo a mano o contra su cuerpo hace que pierda estabilidad y puede provocar la pérdida de control.

- ◆ **Mantenga las manos alejadas de la zona de corte.** Nunca meta la mano debajo de la pieza de trabajo por ningún motivo. No introduzca los dedos en las proximidades de la hoja alternativa y la sujeción de la hoja. No establezca la sierra agarrando la base.

- ◆ **Mantenga las hojas afiladas.** Las hojas melladas o con daños pueden hacer que la sierra se vire bruscamente o se cale bajo presión. Use siempre el tipo de hoja de sierra adecuado al material de la pieza de trabajo y al tipo de corte.

- ◆ Cuando corte una tubería o un tubo, asegúrese de que no tengan agua, cables eléctricos, etc.

- ◆ No toque la pieza de trabajo ni la hoja inmediatamente después del funcionamiento de la herramienta. Pueden calentarse mucho.

- ◆ Sea consciente de los riesgos ocultos antes de cortar en paredes, suelos o techos, compruebe la ubicación de cableados y tuberías.

- ◆ La hoja seguirá moviéndose tras soltar el interruptor. Desconecte siempre la herramienta y espere que la hoja de sierra se pare totalmente antes de soltar la herramienta.

¡Atención! El contacto o la inhalación de polvo desprendido por aplicaciones de corte, puede poner en peligro la salud del operario y la de aquellos próximos a usted. Utilice una mascarilla contra el polvo diseñada específicamente para proteger contra el polvo y las emanaciones y asegúrese de que las demás personas que se encuentren dentro de, o que penetren en el área de trabajo, también estén protegidas.

- ◆ Esta herramienta no está destinada para ser utilizada por personas (niños incluidos) con capacidades físicas, sensoriales o mentales reducidas, o que carezcan de experiencia y conocimiento, a menos que reciban supervisión o instrucción respecto al uso de la misma por una persona responsable de su seguridad. Debe vigilarse a los niños para asegurarse de que no jueguen con el aparato.

- ◆ En este manual de instrucciones se explica el uso previsto. El uso de otros accesorios, adaptadores, o la propia utilización de la herramienta en cualquier forma diferente de las recomendadas en este manual de instrucciones puede constituir un riesgo de lesiones a las personas y/o daños materiales.

### Vibración

Los valores declarados de emisión de vibración indicados en los datos técnicos y la declaración de conformidad se han medido de acuerdo a un método de prueba estándar contemplado por la EN 60745 y puede utilizarse para comparar una herramienta con otra. El valor declarado de emisión de vibración también puede utilizarse en una evaluación preliminar de exposición.

**¡Atención!** El valor de emisión de vibración durante el uso real de la herramienta eléctrica puede variar del valor declarado en función del modo de utilización de la herramienta. El nivel de vibración puede aumentar por encima del valor indicado.

Cuando se evalúe la exposición a la vibración con el fin de determinar las medidas de seguridad exigidas por la 2002/44/CE para proteger a las personas que utilizan herramientas eléctricas en su empleo con regularidad, una estimación de la exposición a la vibración debe considerar las condiciones reales de uso y la forma en que se utiliza la herramienta, teniendo en cuenta incluso todas las partes del ciclo de trabajo como los momentos en que la herramienta se apaga y cuando está conectada sin funcionar además del tiempo de accionamiento.

### Etiquetas sobre la herramienta

En la herramienta se indican los siguientes pictogramas:



**¡Atención!** Para reducir el riesgo de lesiones, el usuario debe leer el manual de instrucciones.

### Seguridad eléctrica



La herramienta lleva un doble aislamiento; por lo tanto no requiere una toma a tierra. Compruebe siempre que el suministro eléctrico corresponda con la tensión indicada en la placa de datos.

- ◆ Si el cable eléctrico está estropeado, debe ser sustituido por el fabricante o un servicio técnico autorizado de Black & Decker con el fin de evitar accidentes.

### Características

Esta herramienta incluye alguna o todas las características siguientes:

1. Interruptor de encendido/apagado
2. Botón de bloqueo
3. Salida para extracción de polvo
4. Base
5. Rodillo guía de la hoja de sierra
6. Selector de la carrera del péndulo

### Fig. C

7. Compartimento de la hoja de sierra (KS702PE & KS703PE)

### Montaje

**¡Atención!** Antes de intentar realizar cualquiera de las operaciones siguientes, asegúrese de que la herramienta esté desconectada y desenchufada, así como de que la hoja de sierra se haya detenido. Las hojas de sierra utilizadas pueden estar calientes.

### Colocación y extracción de la hoja de sierra (fig. A)

- ◆ Afloje (no retire) los dos tornillos (11).
- ◆ Sujete la hoja de sierra (8) con los dientes mirando hacia delante.
- ◆ Inserte la espiga de la hoja de sierra (8) dentro del portahojas (10) hasta el tope.
- ◆ Apriete ligeramente los dos tornillos (11) alternativamente para colocar la hoja, a continuación apriete completamente los dos tornillos (11).
- ◆ Para retirar la hoja de sierra (8), gire ambos tornillos (11) una vuelta en el sentido contrario a las agujas del reloj.

### Conexión de un aspirador a la herramienta (fig. B)

Para poder conectar un aspirador o extractor de polvo a la herramienta, se requiere un adaptador (12). El adaptador se puede adquirir en su distribuidor local de Black & Decker.

- ◆ Introduzca el adaptador (12) en el orificio de extracción de polvo (3).
- ◆ Conecte la manguera del aspirador (13) al adaptador (12).

### Almacenamiento de la hoja de sierra (sólo KS702PE & KS703PE) (fig. C)

Las hojas de sierra (8) pueden almacenarse en el compartimento (7) situado en el lateral de la herramienta

- ◆ Abra la tapa del compartimento de la hoja de sierra (7) sujetando la pestaña de la parte superior de la puerta y tirando hacia fuera.
- ◆ Retire o almacene las hojas de sierra (8) en el compartimento. (7).
- ◆ Cierre la tapa del compartimento de la hoja de sierra (7) y asegúrese de que quede bien encajada.

## Soplador de línea de corte (fig. D)

- ◆ Para tener más visibilidad durante el corte, la caladora está equipada con un soplador de línea de corte (14) que mantendrá la zona de trabajo libre de polvo a medida que sierre.

## Riesgos residuales.

El uso de esta herramienta puede producir riesgos residuales adicionales no incluidos en las advertencias de seguridad adjuntas. Estos riesgos se pueden generar por un uso incorrecto, demasiado prolongado, etc.

El cumplimiento de las normas de seguridad correspondientes y el uso de dispositivos de seguridad no evitan ciertos riesgos residuales. Estos riesgos incluyen:

- ◆ **Lesiones producidas por el contacto con piezas móviles o giratorias.**
- ◆ **Lesiones producidas al cambiar cualquier pieza, cuchilla o accesorio.**
- ◆ **Lesiones producidas al usar una herramienta por un tiempo demasiado prolongado. Si utiliza una herramienta durante períodos de tiempo demasiado prolongados, asegúrese de realizar pausas con frecuencia.**
- ◆ **Discapacidad auditiva.**
- ◆ **Riesgos para la salud producidos al respirar el polvo que se genera al usar la herramienta (por ejemplo: en los trabajos con madera, especialmente de roble, haya y tableros de densidad mediana).**

## Uso

### Ajuste de la base para cortes en bisel (fig. E)

La base (4) puede ajustarse para hacer bien un corte recto o un corte a bisel izquierdo o derecho a un ángulo de 45°.

- ◆ Afloje los tornillos (9).
- ◆ Lleve la base (4) hacia delante, gire la base (4) a la izquierda o derecha y empújela hacia atrás a la posición de 45°.
- ◆ Apriete los tornillos (9).

Para reajustar la base para cortes rectos:

- ◆ Afloje los tornillos (9).
- ◆ Lleve la base (4) hacia delante, gire hacia el centro y empújela hacia atrás a la posición de 0°.
- ◆ Apriete los tornillos (9).

Ajuste de la carrera del péndulo (fig. F)

- ◆ Sitúe el selector de la carrera del péndulo (6) en la posición deseada.
  - Posición 0: metal y aluminio y chapa metálica.
  - Posición I: para laminados, madera dura y encimeras.
  - Posición II: para contrachapado y PVC/plásticos.
  - Posición III: para madera blanda y corte rápido.

## Control de velocidad variable

La herramienta tiene un interruptor de encendido/apagado de velocidad variable (1). La velocidad de funcionamiento dependerá de hasta dónde pulse el interruptor.

- ◆ Para la madera utilice alta velocidad, para el aluminio y PVC velocidad media y baja velocidad para metales que no sean aluminio.

## Encendido y apagado

- ◆ Para encender la herramienta, pulse el interruptor de encendido/apagado (1).
- ◆ Para apagar la herramienta, suelte el interruptor de encendido/apagado (1).
- ◆ Para un funcionamiento continuo, pulse el botón de bloqueo (2) y suelte el interruptor de encendido/apagado (1).
- ◆ Para parar la herramienta durante el funcionamiento continuo, pulse y suelte el interruptor de encendido/apagado (1).

## Serrado

- ◆ Sujete firmemente la herramienta con ambas manos mientras corta.
- ◆ La base debe mantenerse firmemente contra el material que se corta. Esto ayudará a evitar que la sierra salte, a reducir la vibración y a minimizar la rotura de la hoja.
- ◆ Deje que la hoja funcione libremente durante unos segundos antes de iniciar el corte.
- ◆ Aplique sólo una presión suave a la herramienta mientras realiza el corte.

## Consejos para un uso óptimo

### Serrado de laminados

Al cortar laminados, puede que se produzcan astillamientos que podrían dañar la superficie de presentación. Las hojas de sierra más comunes cortan en la carrera ascendente, por tanto si la placa base está sobre la superficie de presentación utilice una hoja de sierra que corte en la carrera descendente o:

- ◆ Use una hoja de sierra de diente fino.
- ◆ Sierre desde la superficie trasera de la pieza de trabajo.
- ◆ Sujete un trozo de madera de recorte o de tablero de fibra prensada a ambos lados de la pieza de trabajo para minimizar el astillamiento y proceda a serrar a través de este bocadillo.

### Serrado de metal

- ◆ Tenga en cuenta que serrar metal lleva mucho más tiempo que serrar madera.
- ◆ Use una hoja de sierra adecuada para serrar metal.
- ◆ Cuando corte chapa fina, sujete una pieza de madera de recorte a la superficie posterior de la pieza de trabajo y corte a través de este bocadillo.

- ◆ Extienda una capa de aceite a lo largo de la línea de corte prevista.

## Mantenimiento

Su herramienta Black & Decker está diseñada para que funcione durante un largo período de tiempo con un mantenimiento mínimo. El funcionamiento satisfactorio continuado depende de un cuidado apropiado y una limpieza periódica.

**¡Atención!** Antes de realizar tareas de mantenimiento o limpieza, asegúrese de que la herramienta esté desconectada y desenchufada y de que la hoja de sierra se haya detenido.

- ◆ Limpie periódicamente las ranuras de ventilación de la herramienta y del cargador con un cepillo suave o un paño seco.
- ◆ Limpie periódicamente la carcasa del motor con un paño húmedo. No utilice ninguna sustancia limpiadora abrasiva o que contenga disolventes. Nunca permita la entrada de líquido en la herramienta y no sumerja ninguna parte de la herramienta en líquido.

## Protección del medio ambiente



Separación de desechos. Este producto no debe desecharse con la basura doméstica normal.

Si llega el momento de reemplazar su producto Black & Decker o éste ha dejado de tener utilidad para usted, no lo deseche con la basura doméstica normal. Asegúrese de que este producto se deseche por separado.



La separación de desechos de productos usados y embalajes permite que los materiales puedan reciclarse y reutilizarse. La reutilización de materiales reciclados ayuda a evitar la contaminación medioambiental y reduce la demanda de materias primas.

La normativa local puede prever la separación de desechos de productos eléctricos de uso doméstico en centros municipales de recogida de desechos o a través del distribuidor cuando adquiere un nuevo producto.

Black & Decker proporciona facilidades para la recogida y el reciclado de los productos Black & Decker que hayan llegado al final de su vida útil. Para hacer uso de este servicio, devuelva su producto a cualquier servicio técnico autorizado, que lo recogerá en nuestro nombre.

Pueden consultar la dirección de su servicio técnico más cercano poniéndose en contacto con la oficina local de Black & Decker en la dirección que se indica en este manual. Como alternativa, puede consultar en Internet la lista de servicios técnicos autorizados e información completa de nuestros servicios de posventa y contactos en la siguiente dirección: **www.2helpU.com**

## Características técnicas

	AST8XC/KS700PE/KS701PE	KS702PE/KS703PE
Voltaje	$V_{AC}$ 230	
Potencia absorbida	W 480	
Velocidad sin carga	$min^{-1}$ 0-3.000	
Profundidad máxima de corte		
Madera	mm 60	
Acero	mm 5	
Aluminio	mm 10	
Peso	kg 1,9	

### Nivel de presión acústica según EN 60745:

Presión acústica ( $L_{pA}$ ) 86 dB(A), incertidumbre (K) 3 dB(A)

Potencia acústica ( $L_{WA}$ ) 97 dB(A), incertidumbre (K) 3 dB(A)

### Valores totales de vibración (suma de vector triaxial) según EN 60745:

Corte de madera ( $a_{h,CM}$ ) 8.5  $m/s^2$ , incertidumbre (K) 2.4  $m/s^2$

Corte de metal ( $a_{h,CM}$ ) 9.4  $m/s^2$ , incertidumbre (K) 3.3  $m/s^2$

## Declaración de conformidad CE

DIRECTIVA SOBRE MÁQUINAS



AST8XC/KS700PE/KS701PE/KS702PE/KS703PE

Black & Decker declara que los productos descritos en "datos técnicos" son conformes con:

98/37/CE (hasta el 28 de diciembre de 2009), 2006/42/CE (a partir del 29 de diciembre de 2009), EN 60745-1, EN 60745-2-11

Si desea información adicional, contacte con Black & Decker en la siguiente dirección o consulte el dorso de este manual.

El abajofirmante es responsable de la compilación del archivo técnico y hace esta declaración en nombre de Black & Decker.

Kevin Hewitt  
Vice-President Global Engineering  
Black & Decker Europe, 210 Bath Road, Slough,  
Berkshire, SL1 3YD  
Reino Unido  
1-10-2009

## Garantía

Black & Decker confía plenamente en la calidad de sus productos y ofrece una garantía extraordinaria. Esta declaración de garantía es una añadida, y en ningún caso un perjuicio para sus derechos estatutarios. La garantía es válida dentro de los territorios de los Estados Miembros de la Unión Europea y de los de la Zona Europea de Libre Comercio.

Si un producto Black & Decker resultará defectuoso debido a materiales o mano de obra defectuosos o a la falta de conformidad, Black & Decker garantiza, dentro de los 24 meses de la fecha de compra, la sustitución de las piezas defectuosas, la reparación de los productos sujetos a un desgaste y rotura razonables o la sustitución de tales productos para garantizar al cliente el mínimo de inconvenientes, a menos que:

- ◆ El producto haya sido utilizado con propósitos comerciales, profesionales o de alquiler;
- ◆ El producto haya sido sometido a un uso inadecuado o negligente;
- ◆ El producto haya sufrido daños causados por objetos o sustancias extrañas o accidentes;
- ◆ Se hayan realizado reparaciones por parte de personas que no sean los servicios de reparación autorizados o personal de servicios de Black & Decker.

Para reclamar en garantía, será necesario que presente la prueba de compra al vendedor o al servicio técnico de reparaciones autorizado. Pueden consultar la dirección de su servicio técnico más cercano poniéndose en contacto con la oficina local de Black & Decker en la dirección que se indica en este manual. Como alternativa, se puede consultar en Internet, en la dirección siguiente, la lista de servicios técnicos autorizados e información completa de nuestros servicios de postventa y contactos:

**[www.2helpU.com](http://www.2helpU.com)**

Visite nuestro sitio web **[www.blackanddecker.eu](http://www.blackanddecker.eu)** para registrar su nuevo producto Black & Decker y mantenerse al día sobre nuestros productos y ofertas especiales. Encontrará información adicional sobre la marca Black & Decker y nuestra gama de productos en **[www.blackanddecker.eu](http://www.blackanddecker.eu)**

## Utilização

A sua serra de recortes Black & Decker foi projectada para serrar madeira, plástico e folhas metálicas. Esta ferramenta destina-se apenas ao doméstico.

## Instruções de segurança

### Avisos de segurança gerais para ferramentas eléctricas



**Advertência! Leia todos os avisos de segurança e instruções.** O não cumprimento dos avisos e instruções a seguir pode resultar em choque eléctrico, incêndio e/ou graves lesões.

**Guarde todos os avisos e instruções para futura referência.** O termo "ferramenta eléctrica", utilizado nas advertências que se seguem, refere-se a ferramentas eléctricas com ligação à corrente eléctrica (com fios) ou operadas a pilha (sem fios).

#### 1. Segurança na área de trabalho

- Mantenha a sua área de trabalho limpa e bem iluminada.** Desordem ou áreas de trabalho com fraca iluminação podem causar acidentes.
- Não utilize ferramentas eléctricas em áreas com risco de explosão, nas quais se encontrem líquidos, gases ou pós inflamáveis.** As ferramentas eléctricas produzem faíscas que podem provocar a ignição de pó e vapores.
- Mantenha crianças e outras pessoas afastadas durante a utilização de ferramentas eléctricas.** As distrações podem dar origem a que perca o controlo da ferramenta.

#### 2. Segurança eléctrica

- A ficha da ferramenta eléctrica deve caber na tomada. A ficha não deve ser modificada de modo algum. Não utilize quaisquer fichas de adaptação com ferramentas eléctricas ligadas à terra.** Fichas inalteradas e tomadas adequadas reduzem o risco de choques eléctricos.
- Evite que o corpo entre em contacto com superfícies ligadas à terra, como por exemplo tubos, radiadores, fogões e frigoríficos.** Há um risco elevado de choques eléctricos, caso o corpo seja ligado à terra.
- As ferramentas eléctricas não devem ser expostas à chuva nem a humidade.** A penetração de água numa ferramenta eléctrica aumenta o risco de choques eléctricos.

- Manuseie o cabo com cuidado. O cabo da ferramenta não deve ser utilizado para o transporte, para puxar a ferramenta, nem para retirar a ficha da tomada. Mantenha o cabo afastado de calor, óleo, cantos afiados ou peças em movimento.** Cabos danificados ou torcidos aumentam o risco de choques eléctricos.
- Ao trabalhar com a ferramenta eléctrica ao ar livre, use um cabo de extensão apropriado para utilização no exterior.** O uso de um cabo apropriado para utilização no exterior reduz o risco de choques eléctricos.
- Quando a utilização de uma ferramenta eléctrica num local húmido é inevitável, utilize uma fonte de alimentação protegida com um dispositivo de corrente residual (RCD).** A utilização de um RCD reduz o risco de choques eléctricos.

#### 3. Segurança pessoal

- Mantenha-se atento, observe o que está a fazer e seja prudente durante a utilização de uma ferramenta eléctrica. Não use a ferramenta eléctrica se estiver cansado ou sob a influência de drogas, álcool ou medicamentos.** Um momento de falta de atenção durante a utilização de ferramentas eléctricas pode causar graves lesões.
- Use equipamento de protecção pessoal. Utilize sempre óculos de protecção.** A utilização de equipamento de protecção pessoal, como por exemplo, máscara de protecção contra pó, sapatos de segurança anti-derrapantes, capacete de segurança ou protecção auricular, de acordo com o tipo e aplicação da ferramenta eléctrica, reduz o risco de lesões.
- Evite o accionamento involuntário. Certifique-se de que o interruptor está na posição desligada antes de ligar a ferramenta à corrente eléctrica ou a uma bateria, antes de elevar ou transportar a mesma.** O transporte de ferramentas eléctricas com o dedo no interruptor ou a ligação das mesmas à corrente eléctrica com o interruptor ligado provoca acidentes.
- Retire eventuais chaves de ajuste ou chaves de fenda, antes de ligar a ferramenta eléctrica.** Uma chave de fenda ou chave de ajuste, que se encontre numa peça móvel da ferramenta, pode dar origem a lesões.
- Não se incline. Mantenha-se sempre bem posicionado e em equilíbrio.** Desta forma, poderá ser mais fácil controlar a ferramenta em situações inesperadas.
- Utilize vestuário adequado. Não utilize roupas largas nem jóias. Mantenha o cabelo, roupa e luvas afastados de peças em movimento.** Roupas largas, jóias ou cabelos longos podem ser ficar presos nas peças em movimento.

- g. Se for prevista a montagem de dispositivos de extracção e recolha de pó, assegure-se de que estão ligados e que são utilizados de forma correcta.

A utilização destes dispositivos reduz os riscos provocados por pó.

#### 4. Utilização e manutenção da ferramenta eléctrica

- a. Não sobrecarregue a ferramenta eléctrica. Utilize a ferramenta eléctrica correcta para o trabalho que irá realizar. A ferramenta correcta realizará o trabalho de forma melhor e mais segura dentro da potência indicada.
- b. Não utilize a ferramenta eléctrica se o interruptor não puder ser ligado nem desligado. Qualquer ferramenta eléctrica que não possa ser controlada através do interruptor é perigosa e deve ser reparada.
- c. Desligue a ficha da tomada e/ou a bateria da ferramenta eléctrica antes de efectuar quaisquer ajustes, substituir acessórios ou armazenar a ferramenta eléctrica. Esta medida de segurança evita que a ferramenta eléctrica seja ligada acidentalmente.
- d. Mantenha as ferramentas eléctricas que não estiverem a ser utilizadas fora do alcance de crianças. Não permita que a ferramenta seja utilizada por pessoas não familiarizadas com a mesma ou que tenham lido estas instruções. As ferramentas eléctricas são perigosas se utilizadas por pessoas não qualificadas.
- e. Efectue a manutenção das ferramentas eléctricas. Verifique se as peças móveis funcionam perfeitamente e não emperram, bem como se há peças quebradas ou danificadas que possam influenciar o funcionamento da ferramenta. Em caso de danos, solicite a reparação da ferramenta eléctrica antes da sua utilização. Muitos acidentes têm como causa uma manutenção insuficiente das ferramentas eléctricas.
- f. Mantenha as ferramentas de corte sempre afiadas e limpas. As ferramentas de corte, sujeitas a uma manutenção adequada e com extremidades de corte afiadas, emperram com menos frequência e podem ser controladas com maior facilidade.
- g. Utilize a ferramenta eléctrica, os acessórios e as brocas da ferramenta etc., de acordo com estas instruções. Considere também as condições de trabalho e o trabalho a ser efectuado. A utilização da ferramenta eléctrica para outros fins que não os previstos pode resultar em situações perigosas.

#### 5. Reparação

- a. A sua ferramenta eléctrica só deve ser reparada por pessoal qualificado e só devem ser colocadas peças sobressalentes originais. Desta forma, é assegurada a segurança da ferramenta eléctrica.

## Avisos de segurança adicionais para ferramentas eléctricas



**Advertência!** Avisos de segurança adicionais para serras de recortes e serras de vaivém

- ◆ **Segure a ferramenta pelas superfícies de pega isoladas ao efectuar trabalhos, durante os quais a ferramenta de corte possa entrar em contacto com cabos eléctricos ocultos ou com o cabo da ferramenta.**  
O contacto do acessório de corte com um cabo com tensão coloca as partes metálicas da ferramenta eléctrica sob tensão, resultando em choque eléctrico.
- ◆ **Utilize grampos ou outra forma prática de fixar e apoiar a peça de trabalho numa plataforma estável.**  
Segurar a peça com a mão ou contra o corpo deixa-a instável e poderá resultar em perda de controlo.
- ◆ **Mantenha as mãos afastadas da área de corte.**  
Nunca tente alcançar a parte inferior da peça de trabalho, qualquer que seja a razão. Não introduza os dedos na área da lâmina da serra de vaivém nem do mecanismo de fixação da mesma. Não estabilize a serra, agarrando a base.
- ◆ **Mantenha as lâminas afiadas.** As lâminas obtusas ou danificadas poderão dar origem a que a serra se desvie ou bloqueie sob pressão. Utilize sempre o tipo de lâmina apropriado para o material da peça de trabalho e para o tipo de corte.
- ◆ Ao cortar tubos ou canos, certifique-se de que não possuem água, cabos eléctricos, etc.
- ◆ Não toque na peça de trabalho nem na lâmina imediatamente após utilizar a ferramenta. Poderão aquecer bastante.
- ◆ Tenha em atenção perigos ocultos, pelo que antes de cortar paredes, pisos ou tectos, verifique a localização de fios e tubos.
- ◆ A lâmina continuar a movimentar-se depois de soltar o interruptor. Desligue sempre a ferramenta e espere que a lâmina pare por completo antes de largar a ferramenta.

**Advertência!** O contacto com ou a inalação de poeiras provenientes de aplicações de corte pode colocar em perigo a saúde do operador e de outras pessoas. Utilize uma máscara para poeiras especificamente desenhada para protecção contra poeiras e vapores e assegure-se de que as pessoas que estão na área de trabalho ou que entrem nesta também estão protegidas.



- ◆ Esta ferramenta não se destina a ser utilizada por pessoas (incluindo crianças) com reduzidas capacidades físicas, sensoriais ou mentais ou falta de experiência e conhecimentos, a menos que tenham recebido instruções ou sejam supervisionadas relativamente à utilização do aparelho por uma pessoa responsável pela sua segurança. As crianças deverão ser vigiadas para que não mexam no aparelho.
- ◆ Neste manual indicam-se as aplicações do aparelho. O uso de qualquer acessório ou da própria ferramenta para realizar quaisquer operações além das recomendadas neste manual de instruções pode dar origem a ferimentos e/ou danos em propriedade.

### Vibração

Os valores de emissão de vibrações declarados, indicados nos dados técnicos e na declaração de conformidade, foram medidos de acordo com um método de teste padrão providenciado por EN 60745 e podem ser utilizados para efectuar a comparação entre ferramentas. O valor de emissão de vibrações declarado pode também ser utilizado numa avaliação preliminar da exposição.

**Advertência!** O valor de emissão de vibrações durante a utilização da ferramenta eléctrica pode divergir do valor declarado, dependendo do modo como a ferramenta é utilizada. O nível de vibrações pode aumentar relativamente ao nível indicado.

Durante a avaliação da exposição a fim de determinar as medidas de segurança requeridas pela directiva 2002/44/CE para a protecção de pessoas que utilizam regularmente ferramentas eléctricas nas respectivas profissões, o cálculo da exposição a vibrações deve considerar as condições reais de utilização e a forma como a ferramenta é utilizada, incluindo a consideração de todas as partes do ciclo de utilização como, por exemplo, as vezes que a ferramenta é desligada e o tempo em que se encontra a funcionar sem carga para além do tempo de accionamento.

### Etiquetas da ferramenta

Aparecem os seguintes pictogramas na ferramenta:



**Advertência!** Para reduzir o risco de ferimentos, o utilizador deve ler o manual de instruções.

### Segurança eléctrica



Esta ferramenta está duplamente isolada, pelo que não necessita de fio de terra. Certifique-se sempre de que o fornecimento de energia corresponde à tensão indicada na placa de identificação.

- ◆ Se o cabo de alimentação estiver danificado, deverá ser substituído pelo fabricante ou por um Centro de Assistência autorizado pela Black & Decker, de modo a evitar perigos.

### Características

Esta ferramenta inclui algumas ou todas as seguintes características:

1. Interruptor de ligar/desligar
2. Botão de bloqueio
3. Saída de extracção de pó
4. Base
5. Rolamento de suporte da lâmina
6. Selector do batimento do pêndulo

### Fig. C

7. Compartimento para armazenamento das lâminas (KS702PE & KS703PE)

### Montagem

**Advertência!** Antes de tentar executar qualquer das operações a seguir, assegure-se de que a ferramenta está desligada e a lâmina parada. As lâminas depois de utilizadas podem estar quentes.

### Encaixe e remoção da lâmina (fig. A)

- ◆ Desaperte (não retire) os dois parafusos (11).
- ◆ Segure na lâmina (8) com os dentes virados para a frente.
- ◆ Empurre o mais que puder a haste da lâmina (8) no apoio da lâmina (10).
- ◆ Aperte ligeiramente os dois parafusos (11) alternadamente para posicionar a lâmina, e em seguida, aperte completamente os dois parafusos (11).
- ◆ Para retirar a lâmina (8), gire ambos os parafusos (11) uma volta para a esquerda.

### Ligar um aspirador à ferramenta (fig. B)

Será preciso utilizar um adaptador (12) para conectar um aspirador ou um extractor de pó à ferramenta. Esse adaptador poderá ser adquirido junto ao seu revendedor local da Black & Decker.

- ◆ Insira o adaptador (12) na saída de extracção de pó (3).
- ◆ Ligue a mangueira do aspirador (13) ao adaptador (12).

### Armazenamento das lâminas (Apenas KS702PE & KS703PE) (fig. C)

Podem armazenar-se lâminas (8) no compartimento de armazenamento (7) situado na parte lateral da ferramenta

- ◆ Abra a tampa do compartimento para armazenamento das lâminas (7) segurando na lingueta na parte superior da tampa e puxando para fora.
- ◆ Remova ou armazene as lâminas (8) no compartimento de armazenamento. (7).

- ◆ Feche a tampa do compartimento de armazenamento (7) e certifique-se de que está fechado com o trinco.

## Soprador de linha de corte (fig. D)

- ◆ Para ajudar a visibilidade durante o corte, a serra está equipada com um soprador de linha de corte (14) que ajudará a manter a área de trabalho limpa de poeira enquanto serra.

## Riscos residuais.

Podem surgir riscos residuais adicionais durante a utilização da ferramenta que poderão não constar nos avisos de segurança incluídos. Estes riscos podem resultar de má utilização, uso prolongado, etc.

Mesmo com a aplicação dos regulamentos de segurança relevantes e com a implementação de dispositivos de segurança, alguns riscos residuais não podem ser evitados. Incluem:

- ◆ ferimentos causados pelo contacto com peças em rotação/movimento.
- ◆ ferimentos causados durante a troca de peças, lâminas ou acessórios.
- ◆ ferimentos causados pela utilização prolongada de uma ferramenta. Quando utilizar uma ferramenta por períodos prolongados, faça intervalos regulares.
- ◆ diminuição da audição.
- ◆ problemas de saúde causados pela inalação de poeiras resultantes da utilização da ferramenta (exemplo: trabalhos em madeira, especialmente carvalho, faia e MDF.)

## Utilização

### Ajuste a base para os cortes em bisel (fig. E)

Pode regular-se a base (4) tanto para efectuar um corte recto como um corte em bisel para a esquerda ou para a direita a um ângulo de 45°.

- ◆ Desaperte os parafusos (9).
- ◆ Empurre a base (4) para a frente, rode-a (4) para a esquerda ou para a direita e puxe-a para trás no local a 45°.
- ◆ Aperte os parafusos (9).

Para definir a base para cortes rectos:

- ◆ Desaperte os parafusos (9).
- ◆ Empurre a base para a frente (4), rode para o centro e puxe-a para trás no local a 0°.
- ◆ Aperte os parafusos (9).

Definir o batimento do pêndulo (fig. F)

- ◆ Coloque o selector do batimento do pêndulo (6) na posição desejada.
  - Posição 0: metal, alumínio e folha de metal.
  - Posição I: para laminados, madeira dura, superfícies de trabalho.

- Posição II: para contraplacado e PVC/plásticos.
- Posição III: para madeira mole e corte rápido.

## Controlo de velocidade variável

A ferramenta tem um interruptor de ligar/desligar de velocidade variável (1). A velocidade da ferramenta depende de quanto se prime o interruptor.

- ◆ Utiliza uma velocidade elevada para a madeira, uma velocidade média para alumínio e PVC e uma velocidade baixa para metais que não o alumínio.

## Como ligar e desligar a ferramenta

- ◆ Para ligar a ferramenta, prima o interruptor de ligar/desligar (1).
- ◆ Para desligar a ferramenta, liberte o interruptor de ligar/desligar (1).
- ◆ Para um funcionamento contínuo, prima o botão de bloqueio (2) e liberte o interruptor de ligar/desligar (1).
- ◆ Para desligar a ferramenta quando estiver em funcionamento contínuo, pressione e solte o interruptor de ligar/desligar (1).

## Serrar

- ◆ Segure firmemente na ferramenta com as duas mãos enquanto corta.
- ◆ Deve segurar-se firmemente a base contra o material a cortar. Isto ajudará a impedir que a serra salt, a reduzir a vibração e a minimizar a quebra da lâmina.
- ◆ Deixe a lâmina funcionar livremente durante alguns segundos antes de iniciar o corte.
- ◆ Aplique apenas uma leve pressão à ferramenta enquanto efectua o corte.

## Sugestões para uma melhor utilização

### Processo de serrar laminados

Ao cortar laminados, pode ocorrer uma formação de rebarbas que pode danificar a superfície da apresentação. A maior parte das serras corta de baixo para cima, assim, se a base repousar na superfície da apresentação, utilize uma serra que corte de cima para baixo ou:

- ◆ Utilize uma lâmina com dentes finos.
- ◆ Serre a partir da parte de trás da peça de trabalho.
- ◆ Para minimizar as rebarbas, encaixe um bocado de madeira ou cartão prensado em ambos os lados da peça de trabalho e serre através desta sanduíche.

### Serração de metal

- ◆ Tenha em atenção que serrar metal demora mais tempo do que serrar madeira.
- ◆ Utilize uma lâmina adequada para serrar metal.

- ◆ Sempre que cortar folhas metálicas finas, fixe um pedaço de madeira em ambos os lados da peça de trabalho e serre através desta sanduiche.
- ◆ Espalhe uma camada fina de óleo ao longo da linha de corte.

## Manutenção

Esta ferramenta Black & Decker foi desenvolvida para funcionar por um longo período, com um mínimo de manutenção. O funcionamento contínuo e satisfatório depende de limpeza regular e de manutenção adequada.

**Advertência!** Antes da manutenção ou da limpeza, certifique-se de que a ferramenta está desligada e desconectada da rede eléctrica e de que a lâmina está parada.

- ◆ Limpe regularmente as fendas de ventilação na ferramenta e no carregador utilizando uma escova macia ou pano seco.
- ◆ Limpe regularmente o compartimento do motor utilizando um pano húmido. Não utilize nenhum detergente abrasivo nem à base de solvente. Evite a entrada de líquido para o interior da ferramenta e nunca mergulhe qualquer parte da mesma em líquido.

## Protecção do meio ambiente



Recolha em separado. Não deve deitar este produto fora juntamente com o lixo doméstico normal.

Caso chegue o momento em que um dos seus produtos Black & Decker precise de ser substituído ou decida desfazer-se do mesmo, não o deite fora juntamente com o lixo doméstico. Torne este produto disponível para uma recolha em separado.



A recolha em separado de produtos e embalagens utilizados permite que os materiais sejam reciclados e reutilizados. A reutilização de materiais reciclados ajuda a evitar a poluição ambiental e a reduzir a procura de matérias-primas.

Os regulamentos locais poderão providenciar a recolha em separado de produtos eléctricos junto das casas, em lixeiras municipais ou junto dos fornecedores ao adquirir um novo produto.

A Black & Decker oferece um serviço de recolha e reciclagem de produtos Black & Decker que tenha atingido o fim das suas vidas úteis. Para tirar proveito deste serviço, devolva seu produto a qualquer agente de reparação autorizado, que se encarregará de recolher o equipamento em nosso nome.

Para verificar a localização do agente de reparação mais próximo de si, contacte o escritório local da Black & Decker no endereço indicado neste manual. Se preferir, consulte a lista de agentes autorizados da Black & Decker e os dados completos dos nossos serviços de atendimento pós-venda na Internet no endereço: [www.2helpU.com](http://www.2helpU.com)

## Dados técnicos

	AST8XC/KS700PE/KS701PE KS702PE/KS703PE	
Voltagem	V <sub>AC</sub>	230
Potência	W	480
Velocidade sem carga	min <sup>-1</sup>	0-3.000
Profundidade máx. de corte		
Madeira	mm	60
Aço	mm	5
Alumínio	mm	10
Peso	kg	1,9

### Nível de pressão acústica segundo a EN 60745:

Pressão acústica (L<sub>PA</sub>) 86 dB(A), imprecisão (K) 3 dB(A)

Potência acústica (L<sub>WA</sub>) 97 dB(A), imprecisão (K) 3 dB(A)

### Valores totais de vibração (soma vectorial triaxial) segundo a EN 60745:

Corte de madeira (a<sub>n,CW</sub>) 8.5 m/s<sup>2</sup>, imprecisão (K) 2.4 m/s<sup>2</sup>

Corte de metal (a<sub>n,CM</sub>) 9.4 m/s<sup>2</sup>, imprecisão (K) 3.3 m/s<sup>2</sup>

## Declaração de conformidade CE

DIRECTIVA MÁQUINAS



AST8XC/KS700PE/KS701PE/KS702PE/KS703PE

A Black & Decker declara que os produtos descritos na secção "dados técnicos" se encontram em conformidade com: 98/37/CE (até 28 de Dezembro de 2009), 2006/42/CE (a partir de 29 de Dezembro de 2009), EN 60745-1, EN 60745-2-11

Para obter mais informações, queira contactar a Black & Decker através do endereço que se segue ou indicado no verso do manual.

O signatário é responsável pela compilação do ficheiro técnico e apresenta esta declaração em nome da Black & Decker.

Kevin Hewitt

Vice-presidente do Departamento de Engenharia Global  
Black & Decker Europe, 210 Bath Road, Slough,  
Berkshire, SL1 3YD  
Reino Unido  
1-10-2009

## Garantia

A Black & Decker confia na qualidade de seus produtos e oferece um programa de garantia excelente. Esta declaração de garantia soma-se aos seus direitos legais e não os prejudica em nenhum aspecto. A garantia será válida nos territórios dos Estados Membros da União Europeia e na Área de Livre Comércio da Europa.

Caso algum produto da Black & Decker apresente avarias devido a defeitos de material, mão-de-obra ou ausência de conformidade no prazo de 24 meses a partir da data de compra, a Black & Decker garantirá a substituição das peças defeituosas, a reparação dos produtos que foram submetidos a uso adequado e remoção ou substituição dos mesmos para assegurar o mínimo de inconvenientes ao cliente a menos que:

- ◆ O produto tenha sido utilizado para fins comerciais, profissionais ou aluguer;
- ◆ O produto tenha sido submetido a uso incorrecto ou descuido;
- ◆ O produto tenha sofrido danos causados por objectos estranhos, substâncias ou acidentes;
- ◆ Tenha um histórico de reparações efectuadas por terceiros que não sejam os agentes autorizados ou profissionais de manutenção da Black & Decker.

Para activar a garantia, será necessário enviar a prova de compra ao revendedor ou agente de reparação autorizado. Para verificar a localização do agente de reparação mais próximo de si contacte o escritório local da Black & Decker no endereço indicado neste manual. Se preferir, consulte a lista de agentes autorizados da Black & Decker e os dados completos de nossos serviços de atendimento pós-venda na Internet no endereço: [www.2helpU.com](http://www.2helpU.com)

Visite o nosso website [www.blackanddecker.eu](http://www.blackanddecker.eu) para registar o seu novo produto Black & Decker e para se manter actualizado sobre novos produtos e ofertas especiais. Estão disponíveis mais informações sobre a Black & Decker e sobre a nossa gama de produtos em [www.blackanddecker.eu](http://www.blackanddecker.eu)

## Användningsområde

Din Black & Decker sticksåg är avsedd för sågning i trä, plast och plåt. Verktaget är endast avsett som konsumentverktyg.

## Säkerhetsregler

### Allmänna säkerhetsvarningar för motordrivna verktyg



**Varning! Läs alla säkerhetsvarningar och alla anvisningar.** Fel som uppstår till följd av att varningarna och anvisningarna nedan inte följts kan orsaka elchock, brand och/eller allvarliga kroppsskador.

### Spara alla varningar och anvisningar för framtida referens.

Nedan använt begrepp lverktyg hänför sig till nådrivna elverktyg (med nåtsladd) och till batteridrivna elverktyg (sladdlösa).

#### 1. Säkerhet för arbetsområdet

- Håll arbetsplatsen ren och välbelyst.** Ordning på arbetsplatsen och dåligt belyst arbetsområde kan leda till olyckor.
- Använd inte elverktuget i explosionsfarlig omgivning med brännbara vätskor, gaser eller damm.** Elverktuget alstrar gnistor som kan antända dammet eller gaserna.
- Håll under arbetet med elverktuget barn och obehöriga personer på betryggande avstånd.** Om du störs av obehöriga personer kan du förlora kontrollen över elverktuget.

#### 2. Elsäkerhet

- Elverktugets stickkontakt måste passa i vägguttaget. Ändra aldrig stickkontakten på något sätt. Använd inte adapterkontakter tillsammans med skyddsjordade elverktyg.** Oförändrade stickkontakter och passande vägguttag minskar risken för elchock.
- Undvik kroppskontakt med jordade ytor som t.ex. rör, värmeelement, spisar och kylskåp.** Det finns en större risk för elchock om din kropp är jordad.
- Skydda elverktuget mot regn och väta.** Tränger vatten in i ett elverktyg ökar risken för elchock.
- Misshandla inte nåtsladden. Använd inte sladden för att bära eller hänga upp elverktuget och inte heller för att dra stickproppen ur vägguttaget.** Håll nåtsladden på avstånd från värme, olja, skarpa kanter och rörliga maskindelar. Skadade eller tilltrasslade sladdar ökar risken för elchock.
- Använd endast förlängningssladdar som är godkända för utomhusbruk när du arbetar med ett elverktyg utomhus.** Om en förlängningssladd avsedd för utomhusbruk används minskar risken för elchock.

- Om man måste använda ett elverktyg på en fuktig plats bör man använda ett uttag som skyddats med en restströmsanordning (RCD).** Vid användning av en restströmsanordning (RCD) minskar risken för elektriska stötar.

#### 3. Personlig säkerhet

- Var uppmärksam, se på vad du gör och använd elverktuget med förnuft. Använd inte elverktuget när du är trött eller om du är påverkad av droger, alkohol eller mediciner.** Under användning av elverktyg kan ett ögonblicks bristande uppmärksamhet leda till allvarliga kroppsskador.
  - Använd personlig skyddsutrustning. Bär alltid skyddsglasögon.** Den personliga skyddsutrustningen, som t.ex. dammfiltermask, halkfria skyddsskor, hjälm eller hörselskydd, som bör användas under de gällande omständigheterna minskar risken för kroppsskada.
  - Undvik att verktuget startas av misstag. Kontrollera att strömställaren står i läge från innan du ansluter till vägguttaget och/eller batteripaketet, lyfter upp eller bär verktuget.** Det kan vara mycket farligt att bära ett elverktyg med fingret på strömbrytaren eller koppla det till nätet med strömbrytaren på.
  - Ta bort alla inställningsverktyg och skruvnycklar innan du startar elverktuget.** Ett verktyg eller en nyckel i en roterande komponent kan medföra kroppsskada.
  - Sträck dig inte för långt. Se till att du alltid har säkert fötäfte och balans.** På så sätt kan du lättare kontrollera elverktuget i oväntade situationer.
  - Bär lämplig klädsel. Bär inte löst hängande kläder eller smycken. Håll hår, kläder och handskar undan från rörliga delar.** Löst hängande kläder, smycken och långt hår kan dras in av roterande delar.
  - Om elverktuget är utrustat med dammsugnings- och -uppsamlingsutrustning, kontrollera att dessa anordningar är rätt monterade och att de används på korrekt sätt.** Dammuppsamling minskar riskerna för dammrelaterade olyckor.
- #### 4. Bruk och skötsel av elverktyg
- Överbelasta inte elverktuget. Använd rätt elverktyg för det aktuella arbetet.** Med ett lämpligt elverktyg kan du arbeta bättre och säkrare inom angivet effektområde.
  - Ett elverktyg med defekt strömbrytare får inte användas.** Ett elverktyg som inte kan kopplas till eller från är farligt och måste repareras.
  - Dra ut stickkontakten ur vägguttaget och/eller batteripaketet ur det motordrivna verktuget innan inställningar utförs, tillbehörsdelar byts ut eller det motordrivna verktuget ställs undan.** Denna skyddsåtgärd förhindrar oavsiktlig inkoppling av elverktuget.

- d. Förvara elverktygen oåtkomliga för barn. Låt inte elverktyget användas av personer som inte är förtrogna med dess användning eller inte läst denna anvisning. Elverktyg är farliga om de används av oerfarna personer.
- e. Sköt elverktyget omsorgsfullt. Kontrollera att rörliga komponenter fungerar felfritt och inte kärvar, att komponenter inte brustit eller skadats och inget annat föreligger som kan påverka elverktygets funktioner. Låt skadade delar repareras innan elverktyget används på nytt. Många olyckor orsakas av dåligt skötta elverktyg.
- f. Håll skärverktyg skarpa och rena. Omsorgsfullt skötta skärverktyg med skarpa eggar fastnar inte så lätt och går lättare att styra.
- g. Använd det motordrivna verktyget, tillbehör och insatsverktyg etc. enligt dessa anvisningar. Ta hänsyn till arbetsvillkoren och arbetsmomenten. Används elverktyget på icke ändamålsenligt sätt kan farliga situationer uppstå.

## 5. Service

- a. Låt endast elverktyget repareras av kvalificerad fackpersonal och med originalreservdelar. Detta garanterar att elverktygets säkerhet bibehålls.

## Extra säkerhetsvarningar för motordrivna verktyg



**Varning!** Tillkommande säkerhetsvarningar för kontursågar och tigersågar

- ◆ **Håll fast verktyget endast vid de isolerade handtagen när slipning utförs på ställen där skärverktyget kan skada dolda elledningar eller egen nätsladd.** Om sågtillbehöret kommer i kontakt med en spänningsförande ledning sätts verktygets metalldelar under spänning vilket kan leda till elektriska stötar.
- ◆ **Använd klämmor eller något annat praktiskt sätt för att fästa och stödja arbetsstycket på ett stabilt underlag.** Om man håller arbetsstycket med handen eller mot kroppen blir det instabilt och man kan riskera att förlora kontrollen över det.
- ◆ **Håll händerna borta från sågområdet.** Vidrör aldrig undersidan av arbetsstycket av någon som helst anledning. Stick inte in fingrar eller tummen i närheten av det fram och återgående bladet och fastspänningsspaken. Stabilisera inte sågen genom att ta tag i fotplattan.
- ◆ **Håll bladen vassa.** Slöa eller skadade blad kan göra att sågen svänger åt sidan eller fastnar under press. Använd alltid ett sågblad som passar arbetsstyckets material samt snittyp.
- ◆ Vid kapning av rör eller ledningar, kontrollera att de är fria från vatten, elektriska ledningar, etc.

- ◆ Berör inte arbetsstycket eller bladet direkt efter att verktyget använts. De kan bli mycket heta.
- ◆ Kontrollera var de elektriska ledningarna, rörledningarna och andra hinder är placerade innan du sågar i väggar, golv och tak.
- ◆ Klingan fortsätter att röra sig efter att man släppte strömbrytaren. Stäng alltid av maskinen och vänta tills sågbladet har stannat helt innan du lägger ifrån dig verktyget.

**Varning!** Kontakt med, eller inandning av, damm som uppstår vid sågning kan vara hälsovådligt för användaren eller eventuella omstående. Använd en specialkonstruerad ansiktsmask som skyddar mot damm eller ångor, samt se till att personer som vistas på, eller kommer i närheten av arbetsplatsen också är skyddade.

- ◆ Verktyget är inte avsett att användas av personer (inklusive barn) med försvagade fysiska, sensoriska eller mentala förmågor, eller som saknar erfarenhet och kunskaper, om de inte får övervakning eller undervisning i användning av apparaten av någon som ansvarar för deras säkerhet. Håll uppsyn så att inga barn leker med apparaten.
- ◆ Verktygets avsedda bruk beskrivs i denna bruksanvisning. Bruk av tillbehör eller tillsatser, eller utförande av någon verksamhet med detta verktyg, som inte rekommenderas i denna bruksanvisning kan innebära risk för personskada och/eller skada på egendom.

## Skakas

De angivna vibrationsemissionsvärdena i tekniska data / försäkringen om överensstämmelse har uppmätts enligt en standardtestmetod som tillhandahålls av EN 60745 och kan användas för att jämföra olika verktyg med varandra. De angivna vibrationsemissionsvärdena kan även användas för en preliminär beräkning av exponering.

**Varning!** Vibrationsemissionsvärdet under faktisk användning av elverktyget kan skilja sig från det angivna värdet beroende på hur verktyget används. Vibrationsnivån kan överstiga den angivna nivån.

Vid beräkning av vibrationsexponering för att bestämma säkerhetsåtgärder enligt 2002/44/EG för att skydda personer som regelbundet använder elverktyg i arbetet, bör en beräkning av vibrationsexponeringen ta med i beräkningen de faktiska användningsförhållandena och sättet verktyget används, inkluderande att man tar med i beräkningen alla delar av användningscykeln, förutom själva "avtryckartiden" även t.ex. när verktyget är avstängt och när det går på tomgång.

## Märken på verktyget

Följande symboler finns på verktyget:



**Varning!** För att minska risken för skador måste användaren läsa igenom bruksanvisningen.

## Elsäkerhet



Eftersom verktyget är dubbelisolerat behövs ingen jordledare. Kontrollera alltid att nätspänningen överensstämmer med värdet på märkplåten.

- ◆ Om nätsladden är skadad måste den bytas ut av tillverkaren eller en godkänd Black & Deckerserviceverkstad för att undvika en risksituation.

## Detaljbeskrivning

Verktyget har en del eller samtliga av nedanstående funktioner:

1. Strömbrytare
2. Låsknapp
3. Dammutsug
4. Fotplatta
5. Stödruulle för sågbladet
6. Väljare pendelslag

## Fig. C

7. Förvaringsfack för sågblad (KS702PE & KS703PE)

## Montering

**Varning!** Innan du utför någon av följande handlingar måste du försäkra dig om att verktyget har stängts av, att kontakten dragits ur och att sågbladet har stannat. Nyss använda sågblad kan vara varma.

## Montering och avlägsnande av sågblad (fig. A)

- ◆ Lossa (men ta inte bort) de två skruvarna (11).
- ◆ Håll sågbladet (8) med tänderna riktade framåt.
- ◆ Tryck in sågbladets fatning (8) i hållaren (10) så långt som möjligt.
- ◆ Dra åt de två skruvarna (11) växelvis lite lätt för att få bladet i läge, och dra sedan åt de två skruvarna (11) helt.
- ◆ För att ta bort sågbladet (8) skruvar man de bägge skruvarna (11) ett varv moturs.

## Anslutning av grovsugare (fig. B)

Det behövs en adapter (12) för att ansluta en damm- eller grovsugare till verktyget. Adaptern kan köpas hos din Black & Decker återförsäljare.

- ◆ Skjut in adaptern (12) i dammsugningsuttaget (3).
- ◆ Anslut dammsugarsslangen (13) till adaptern (12).

## Förvaringsfack för sågblad

### (endast KS702PE & KS703PE) (fig. C)

Sågblad (8) kan förvaras i förvaringsfacket (7) på sidan av verktyget.

- ◆ Öppna locket till förvaringsfacket för sågblad (7) genom att hålla i fliken på ovsidan av dörren och dra utåt.
- ◆ Ta bort eller förvara sågblad (8) i förvaringsfacket. (7).
- ◆ Stäng locket till förvaringsfacket för sågblad (7) och kontrollera så att det är stängt med låsspärren.

## Sågsparblåsare (fig. D)

- ◆ För att kunna se ordentligt vid sågning är sticksågen utrustad med en sågsparblåsare (14) som håller arbetsområdet fritt från damm och sågspån under sågarbetet.

## Övriga risker.

Ytterligare risker som inte finns med i de bifogade säkerhetsföreskrifterna kan uppstå när verktyget används. Dessa risker kan uppstå vid felaktig eller långvarig användning, etc.

Även om alla relevanta säkerhetsföreskrifter följs och säkerhetsanordningar används kan vissa ytterligare risker inte undvikas. Dessa innefattar:

- ◆ Skador orsakade av att roterande/rörliga delar vidrörs.
- ◆ Skador som uppstår vid byte av delar, blad eller tillbehör.
- ◆ Skador som orsakas av långvarig användning av ett verktyg. Se till att ta regelbundna raster när du använder ett verktyg under en längre period.
- ◆ Skador på hörseln.
- ◆ Hälsofaror orsakade av inandning av damm när verktyget används (exempel: arbete med trä, särskilt ek, bok och MDF.)

## Användning

### Justering av fotplattan för geringssågning (fig. E)

Fotplattan (4) kan justeras för antingen rak sågning eller vänster- eller högerfassågning med en vinkel på upp till 45°

- ◆ Lossa skruvarna (9).
- ◆ Dra fotplattan (4) framåt, rotera fotplattan (4) åt vänster eller höger och skjut tillbaka den till 45°-positionen.
- ◆ Dra åt skruvarna (9).

Återställ fotplattan för raka snitt:

- ◆ Lossa skruvarna (9).
- ◆ Dra fotplattan (4) framåt, rotera den till mitten och skjut tillbaka den till 0°-läget.
- ◆ Dra åt skruvarna (9).

Inställning av pendelslaget (fig. F)

- ◆ Sätt väljaren för pendelslag (6) i önskat läge.
  - Läge 0: metall och aluminium och plåt.
  - Läge I: för laminat, hårt trä, bänkskivor.

- Läge II: för plywood och PVC/plast.
- Läge III: för mjukt trä och snabb sågning.

## Variabel hastighetskontroll

Verktøget har en strömbrytare (1) för steglös variation av hastigheten. Verktøgets hastighet beror på hur långt in strömbrytaren trycks.

- ◆ Använd höga hastigheter för trä, mellan hastigheter för aluminium och plast och låga hastigheter för andra metaller än aluminium.

## Start och stopp

- ◆ Tryck på strömbrytaren för att starta verktøget (1).
- ◆ Släpp strömbrytaren (1) för att stänga av verktøget.
- ◆ Tryck in spärknappen (2) och släpp strömbrytaren (1) om du vill att verktøget ska gå hela tiden.
- ◆ Tryck in och frigør strömbrytaren (1) för att stoppa verktøget när det är i kontinuerligt läge.

## Sågning

- ◆ Håll verktøget i ett fast grepp med bägge händerna under användning.
- ◆ Foten ska hela tiden ligga stadigt emot materialet som blir sågat i. Detta hjälper till att förhindra att sågen hoppar, samt minskar vibrationerna och minimerar bladbrott.
- ◆ Låt klingan gå tomgång några sekunder innan du börjar såga.
- ◆ Tryck bara lätt mot verktøget under sågningen.

## Råd för bästa resultat

### Sågning i laminat

Vid sågning i laminat kan det uppstå flisor som kan skada den färdiga ytan. De vanligaste sågbladen skär uppåt, så om fotplattan är placerad på den färdiga ytan får man därför använda ett sågblad som skär nedåt, eller:

- ◆ Använd ett fintandat sågblad.
- ◆ Såga från arbetsstyckets baksida.
- ◆ För att undvika splittring av arbetsstycket kan man klämma fast en träbit eller dylikt på båda sidor av arbetsstycket och såga genom hela detta "sandwich-arrangemang".

### Sågning i metall

- ◆ Tänk på att det tar mycket längre tid att såga metall än trä.
- ◆ Använd ett sågblad som är lämpligt för metallsågning.
- ◆ När du sågar i tunn plåt, kan du spänna fast en träbit på plåtens baksida och sedan såga igenom "sandwichen".
- ◆ Smörj ett tunt lager olja längs såglinjen.

## Underhåll

Ditt Black & Decker verktøg har tillverkats för att fungera under lång tid med ett minimum av underhåll. Med rätt underhåll och regelbunden rengøring behåller verktøget sina prestanda.

**Varning!** Kontrollera före underhåll eller rengøring att verktøget är avstängt, kontakten utdragen och att sågbladet står stilla.

- ◆ Rengør ventilationsøppningarna på verktøget og laddaren regelbundet med en mjuk borste eller torr trasa.
- ◆ Rengør kåpan regelbundet med en fuktig trasa. Använd aldrig rengøringsmedel med løsnings- eller slipmedel i. Låt aldrig vætska komma in i verktøget og låt aldrig någon del av verktøget hamna i någon vætska

## Miljøskydd



Särskild insamling. Denna produkt får inte kastas bland vanliga hushållssopor.

Om du någon gång i framtiden behöver ersätta din Black & Decker-produkt med en ny, eller inte längre behöver den, ska du inte kasta den i hushållssoporna. Denna produkt skall lämnas till särskild insamling.



Efter insamling av använda produkter och förpackningsmaterial kan materialen återvinnas och användas på nytt. Användning av återvunna material skonår miljøn og minskar förbrukningen av råvaror.

Enligt lokal lagstiftning kan det förekomma särskilda insamlingar av uttjant elutrustning från hushåll, antingen vid kommunala miljøstationer eller hos detaljhandlaren när du köper en ny produkt.

Black & Decker erbjuder en insamlings- og återvinnings-tjänst för Black & Decker-produkter när de en gång har tjänat ut. För att använda den här tjänsten lämnar du in produkten till en auktoriserad B & D -reparatør/representant som tar hand om den för din räkning.

Närmaste auktoriserad Black & Decker-representant finner du genom det lokala Black & Decker-kontoret på adressen i den här manualen. Annars kan du söka på Internet, på listan över auktoriserade Black & Decker-representanter och alla uppgifter om vår kundservice och andra kontakter.

[www.2helpU.com](http://www.2helpU.com)



**Tekniska data**

		AST8XC/KS700PE/KS701PE KS702PE/KS703PE
Spänning	$V_{AC}$	230
Ineffekt	W	480
Obelastad hastighet	$\text{min}^{-1}$	0-3.000
Max. snittdjup		
Trä	mm	60
Stål	mm	5
Aluminium	mm	10
Vikt	kg	1,9

**Bullernivå, uppmätt enligt EN 60745:**Bullernivå ( $L_{pa}$ ) 86 dB(A), avvikelse (K) 3 dB(A)Ljudeffekt ( $L_{wa}$ ) 97 dB(A), avvikelse (K) 3 dB(A)**Vibrationens totala värde (treaxelvektorsumma) bestämd enligt EN 60745:**Såga trä ( $a_{h, CW}$ ) 8.5 m/s<sup>2</sup>, avvikelse (K) 2.4 m/s<sup>2</sup>Såga i metall ( $a_{h, CW}$ ) 9.4 m/s<sup>2</sup>, avvikelse (K) 3.3 m/s<sup>2</sup>**EC-förklaring om överensstämmelse**

MASKINDIREKTIVET



AST8XC/KS700PE/KS701PE/KS702PE/KS703PE

Black & Decker deklarerar att dessa produkter, beskrivna under "tekniska data", är tillverkade i överensstämmelse med: 98/37/EG (till 28 dec. 2009), 2006/42/EG (från 29 dec. 2009), EN 60745-1, EN 60745-2-11

För mer information, vänligen kontakta Black & Decker på följande adress eller den som anges på handbokens baksida.

Undertecknad är ansvarig för sammanställningen av den tekniska filen och gör denna försäkran som representant för Black & Decker.

Kevin Hewitt  
Vice-President Global Engineering  
Black & Decker Europe, 210 Bath Road, Slough,  
Berkshire, SL1 3YD  
Storbritannien  
1-10-2009

**Reservdelar / reparationer**

Reservdelar finns att köpa hos auktoriserade Black & Decker verkstäder, som även ger kostnadsförslag och reparerar våra produkter.

Förteckning över våra auktoriserade verkstäder finns på Internet, vår hemsida [www.blackanddecker.se](http://www.blackanddecker.se) samt [www.2helpU.com](http://www.2helpU.com)

**Garanti**

Black & Decker garanterar att produkten är fri från material- och/eller fabriktionsfel vid leverans till kund. Garantin är i tillägg till konsumentens lagliga rättigheter och påverkar inte dessa. Garantin gäller inom medlemsstaterna i Europeiska Unionen och i det Europeiska Frihandelsområdet.

Om en Black & Decker produkt går sönder på grund av material- och/eller fabriktionsfel eller brister i överensstämmelse med specifikationen, inom 24 månader från köpet, åtar sig Black & Decker att reparera eller byta ut produkten med minsta besvär för kunden.

Garantin gäller inte för fel som beror på:

- ◆ normalt slitage
- ◆ felaktig användning eller skötsel
- ◆ att produkten skadats av främmande föremål, ämnen eller genom olyckshändelse

Garantin gäller inte om reparation har utförts av någon annan än en auktoriserad Black & Decker verkstad.

För att utnyttja garantin skall produkten och inköpskvittot lämnas till återförsäljaren eller till en auktoriserad verkstad senast 2 månader efter det att felet har upptäckts. För information om närmaste auktoriserad verkstad; kontakta det lokala Black & Decker kontoret på den adress som är angiven i bruksanvisningen. En lista på alla auktoriserade verkstäder samt servicevillkor finns även tillgängligt på Internet, adress: [www.2helpU.com](http://www.2helpU.com)

Besök vår webbplats [www.blackanddecker.se](http://www.blackanddecker.se) för att registrera din nya Black & Decker-produkt samt för att erhålla information om nya produkter och specialerbjudanden. Vidare information om märket Black & Decker och vårt produktsortiment kan återfinnas på [www.blackanddecker.se](http://www.blackanddecker.se)

## Bruksområder

Stikksagen fra Black & Decker er utformet for saging av tre, plast og metallplater. Verktøyet er tiltenkt kun som konsumentverktøy.

## Sikkerhetsinstruksjoner

### Generelle sikkerhetsadvarsler for elektroverktøy



**Advarsel! Les alle sikkerhetsadvarsler og alle instruksjoner.** Hvis advarsler og instruksjoner ikke følges, kan det medføre elektrisk støt, brann og/eller alvorlige skader.

**Ta vare på alle advarsler og instruksjoner for fremtidige oppslag.** Uttrykket «elektroverktøy» i alle advarslene nedenfor gjelder for strømdrevne elektroverktøy (med ledning) og batteridrevne elektroverktøy (uten ledning).

#### 1. Sikkerhet i arbeidsområdet

- Hold arbeidsområdet rent og godt opplyst.** Rotete arbeidsområder med dårlig belysning kan føre til ulykker.
- Ikke arbeid med elektroverktøy i eksplosjonsfarlige omgivelser hvor det finnes brennbare væsker, gass eller støv.** Elektroverktøy forårsaker gnister som kan antenne støv eller røyk.
- Hold barn og andre personer unna når elektroverktøyet brukes.** Hvis du blir forstyrret under arbeidet, kan du miste kontrollen.

#### 2. Elektrisk sikkerhet

- Støpselet til elektroverktøyet må passe inn i stikkkontakten. Støpselet må ikke forandres på noen som helst måte. Ikke bruk adapterstøpsler sammen med jordete elektroverktøy.** Bruk av originale støpsler og passende stikkontakter reduserer risikoen for elektrisk støt.
- Unngå kroppskontakt med jordete overflater som rør, radiatorer, komfyrer og kjøleskap.** Det er større fare for elektrisk støt hvis kroppen din er jordet.
- Utsett ikke elektroverktøy for regn eller fuktighet.** Dersom det kommer vann i et elektroverktøy, øker risikoen for elektrisk støt.
- Unngå uforvarlig behandling av ledningen. Elektroverktøyet må aldri bæres eller trekkes etter ledningen, og trekk heller ikke ut støpselet ved å rykke i ledningen. Hold ledningen unna varme, olje, skarpe kanter eller bevegelige deler.** Med skadde eller sammenflokete ledninger øker risikoen for elektrisk støt.
- Når du arbeider utendørs med et elektroverktøy, må du kun bruke en skjøteledning som er godkjent til utendørs bruk.** Ved å bruke en skjøteledning som er egnet for utendørs bruk, reduseres risikoen for elektrisk støt.

- Hvis du må bruke et elektrisk verktøy på et fuktig sted, må du bruke en forsyning som er beskyttet med en reststrømsanordning (RCD).** Bruk av en RCD reduserer risikoen for støt.

#### 3. Personssikkerhet

- Vær oppmerksom, pass på hva du gjør og vis fornuft når du arbeider med et elektroverktøy. Ikke bruk elektroverktøy når du er trett eller er påvirket av narkotika, alkohol eller medikamenter.** Et øyeblikks uoppmerksomhet under bruk av verktøyet kan føre til alvorlige personskader.
- Bruk personlig verneutstyr. Bruk alltid vernebriller.** Verneutstyr som støvmaske, sko med gode såler, hjelm og hørselsvern bør brukes for å redusere risikoen for personskade.
- Unngå utilsiktet oppstart. Påse at bryteren er i av-stilling før du kopler til strøm og/eller batteripakke, plukker opp eller bærer verktøyet.** Hvis du bærer et elektrisk verktøy med fingeren på bryteren, eller hvis du setter strøm på et verktøy som har bryteren slått på, inviterer du til ulykker.
- Fjern innstillingsverktøy eller skrunøkler før du slår på elektroverktøyet.** Et verktøy eller en nøkkel som befinner seg i en roterende del kan føre til personskade.
- Ikke strekk deg for langt. Pass på at du alltid har sikkert fotfeste og god balanse.** Da kan du kontrollere elektroverktøyet bedre i uventede situasjoner.
- Bruk alltid egnede klær. Ikke bruk løstsittende klær eller smykker. Hold hår, klær og hansker unna bevegelige deler.** Løstsittende klær, smykker eller langt hår kan komme inn i bevegelige deler.
- Hvis det kan monteres støvavsug- og oppsamlingsinnretninger, må du forvisse deg om at disse er tilkoblet og brukes på riktig måte.** Bruk av støvavsug reduserer farer i forbindelse med støv.
- Aktsom håndtering og bruk av elektroverktøy**
  - Ikke bruk makt på elektroverktøyet. Bruk et elektroverktøy som er beregnet på den type arbeid du vil utføre.** Med et passende elektroverktøy arbeider du bedre og sikrere i det angitte effektområdet.
  - Ikke bruk elektroverktøyet hvis det ikke lar seg slå på og av med bryteren.** Et elektroverktøy som ikke kan kontrolleres med bryteren er farlig og må repareres.
  - Trekk støpselet ut av stikkkontakten og/eller kople fra batteripakken før du utfører innstillinger på et elektrisk verktøy, skifter tilbehør eller legger verktøyet bort.** Disse tiltakene reduserer risikoen for en utilsiktet start av elektroverktøyet.

- d. **Elektroverktøy som ikke er i bruk må oppbevares utliggjelig for barn. Ikke la verktøyet brukes av personer som ikke er fortløig med det eller som ikke har lest disse bruksanvisningene.** Elektroverktøy er farlige når de brukes av uerfarne personer.
- e. **Vær nøye med vedlikehold av elektroverktøy. Kontroller om bevegelige deler fungerer feilfritt og ikke klemmes fast, om deler er brukket eller skadet og andre forhold som kan innvirke på elektroverktøyet funksjon. Hvis elektroverktøyet er skadet, må det repareres før bruk.** Dårlig vedlikeholdte elektroverktøy er årsaken til mange uhell.
- f. **Hold skjæreverktøy skarpe og rene.** Godt vedlikeholdte skjæreverktøy med skarpe egger setter seg ikke så ofte fast og er lettere å føre.
- g. **Bruk elektroverktøy, tilbehør, bor osv. i henhold til disse instruksjonene. Ta hensyn til arbeidsforholdene og arbeidet som skal utføres.** Bruk av elektroverktøy til andre formål enn det som er angitt, kan føre til farlige situasjoner.
5. **Service**
- a. **Elektroverktøyet ditt skal alltid repareres av kvalifisert personell og kun med originale reservedeler.**  
 Dette sikrer at elektroverktøyet sikkerhet opprettholdes.

## Ekstra sikkerhetsadvarsler for elektroverktøy



**Advarsel!** Utfyllende sikkerhetsadvarsler for løvsager og gittersager

- ◆ **Hold verktøy i de isolerte gripeflatene når du utfører arbeid der skjæreverktøyet kan komme i kontakt med skjulte ledninger eller sin egen kabel.** Kontakt med en strømførende ledning vil gjøre verktøyet metalldele strømførende og gi operatøren støt.
- ◆ **Bruk klemmer eller en annen praktisk måte til å feste arbeidsemnet til et stabilt underlag.** Arbeidsemnet blir ustabil og du mister kontroll dersom du holder det i hånden eller inn mot kroppen.
- ◆ **Hold hendene unna kutteområdet.** Grip aldri inn under arbeidsemnet uansett grunn. Ikke plasser fingrene eller tommelen i nærheten av gitterbladet og bladklemmen. Ikke stabiliser sagen ved å gripe skoene.
- ◆ **Hold bladene skarpe.** Sløve eller skadede blader kan få sagen til å spinne eller kjøre seg fast under press. Bruk alltid blad som er beregnet på arbeidsmaterialet, og på den typen kutt som skal utføres.
- ◆ Når du kutter rør eller kanaler, påse at disse er tomme for vann, elektriske ledninger osv.
- ◆ Ikke berør arbeidsemnet eller bladet rett etter at verktøyet har vært brukt. De kan være meget varme.

- ◆ Vær oppmerksom på skjulte farer. Før kutting i vegger, gulv eller tak, må du undersøke hvor ledninger og rør befinner seg.
- ◆ Bladet vil frisetse å bevege seg etter at du slipper opp bryteren. Slå alltid verktøyet av, og vent til bladene har stoppet helt før du legger sagen fra deg.

**Advarsel!** Kontakt med eller innånding av støv kan være helseskadelig for brukeren og eventuelle andre tilstedeværende. Bruk en spesialmaske som verner mot støv og damp, og pass på at andre som oppholder seg eller kommer inn i området der du arbeider, også beskytter seg.

- ◆ Dette verktøyet er ikke beregnet til å brukes av personer (inkludert barn) med redusert fysisk, sansesmessig eller mental kapasitet eller mangel på erfaring og kunnskap, med mindre de er under oppsyn eller har fått opplæring i bruk av verktøyet av en person som har ansvaret for deres sikkerhet. Barn må ha tilsyn for å sikre at de ikke leker med apparatet.
- ◆ Denne instruksjonshåndboken forklarer beregnet bruksmåte. Bruk bare tilbehør og utstyr som anbefales i bruksanvisningen. Bruk av annet verktøy eller tilbehør kan medføre risiko for skade på person og/eller utstyr.

## Vibrasjon

De erklærte vibrasjonsnivåene i avsnittet Tekniske Data / Samsvarserklæring er målt i samsvar med en standard testmetode som gis av EN 60745, og kan brukes til å sammenligne et verktøy med et annet. Erklært vibrasjonsnivå kan også brukes i en foreløpig vurdering av eksponering.

**Advarsel!** Vibrasjonsnivået ved faktisk bruk av elektroverktøyet kan variere fra erklært verdi, avhengig av måten verktøyet brukes på. Vibrasjonsnivået kan øke over det oppgitte nivået.

Når du vurderer eksponering til vibrasjon for å bestemme sikkerhetstiltak som anbefalt i 2002/44/EF for å beskytte personer som jevnlig bruker elektroverktøy, bør en estimering av eksponeringen ta hensyn til de faktiske bruksforholdene og måten verktøyet brukes på. Dette inkluderer alle deler av brukssyklusen som f.eks. tidsperioder da verktøyet er slått av og når det går uten belastning, i tillegg til faktisk arbeidstid.

## Etiketter på verktøyet

Følgende symboler befinner seg på verktøyet:



**Advarsel!** Bruker må lese bruksanvisningen for å redusere faren for skader.

## Elektrisk sikkerhet



Dette apparatet er dobbeltisolert. Derfor er ikke jording nødvendig. Kontroller alltid at nettspenningen er i overensstemmelse med spenningen på typeskiltet.

- ◆ Hvis strømledningen skades, må den skiftes ut av fabrikanten eller et autorisert Black & Decker servicesenter for å unngå fare.

## Egenskaper

Dette verktøyet inkluderer noen av eller alle følgende funksjoner:

1. Strømbryter
2. Låseknapp
3. Åpning for støvuttrekk
4. Anleggsplate
5. Støtterulle til sagbladet
6. Pendelslagvelger

## Fig. C

7. Sagbladets oppbevaringsrom (KS702PE & KS703PE)

## Montering

**Advarsel!** Før du forsøker noe av følgende, må du passe på at verktøyet er slått av og koblet fra strømtilførselen, og at sagbladet har stoppet. Brukte sagblader kan være varme.

### Montering og fjerning av sagbladet (fig. A)

- ◆ Løsne (uten å fjerne) de to skruene (11).
- ◆ Hold sagbladet (8) som vist, med tennene forover.
- ◆ Sett skaffet på sagbladet (8) så langt inn i sagbladholderen (10) som det kommer.
- ◆ Trekk lett til de to skruene (11) etter tur for å posisjonere bladet, og trekk så til skruene (11) fullstendig.
- ◆ For å fjerne sagbladet (8), drei begge skruer (11) én omdreining mot klokken.

### Kople til en grovsuger (fig. B)

Det trengs en adapter (12) for å koble en støvsuger eller grovsuger til verktøyet. Adapteren kan leveres fra din lokale Black & Decker-forhandler.

- ◆ Sett adapteren (12) inn i åpningen for støvuttrekk (3).
- ◆ Kople støvsugerslangen (13) til adapteren (12).

### Oppbevaring av sagblad

#### (kun KS702PE & KS703PE) (fig. C)

Sagblader (8) kan oppbevares i det spesielle rommet (7) på siden av verktøyet.

- ◆ Åpne dekslet på sagbladrommet (7) ved å holde i fliken på toppen av dekslet og trekke utover.
- ◆ Ta ut eller oppbevar sagblader (8) i oppbevaringsrommet (7).
- ◆ Lukk dekslet over sagbladrommet (7) og sørg for at låsen lukkes.

### Sagelinjblåser (fig. D)

- ◆ For å hjelpe deg å se når du sager er løvsagen utstyrt med en sagelinjblåser (14) som vil holde sageområdet rent for sagflis når du sager.

## Andre risikoer.

Ved bruk av verktøyet kan det oppstå ytterligere risikoer som kanskje ikke er inkludert i sikkerhetsadvarslene som følger med. Disse risikoene kan bli forårsaket av feil bruk, langvarig bruk osv.

Selv om de relevante sikkerhetsbestemmelsene blir fulgt, og sikkerhetsiltakene blir gjennomført, kan visse gjenværende risikoer ikke unngås. Disse omfatter:

- ◆ **Personskader som forårsakes av berøring av en roterende/bevegelig del.**
- ◆ **Personskader som forårsakes av at en del, et blad eller tilbehør endres.**
- ◆ **Personskader som forårsakes av langvarig bruk av et verktøy. Når du bruker et verktøy i lange perioder, må du sørge for å ta regelmessige pauser.**
- ◆ **Svekket hørsel.**
- ◆ **Helsefarer som forårsakes av innånding av støv som dannes når du bruker verktøyet (eksempel: arbeid med tre, spesielt eik, bøk og MDF).**

## Bruk

### Justere anleggsplaten for gjæringsaging (fig. E)

Denne anleggsplaten (4) kan stilles inn enten til rette kutt eller et venstre eller høyre gjæringskutt med 45°.

- ◆ Løsne skruene (9).
- ◆ Trekk anleggsplaten (4) fremover, roter platen til venstre eller høyre og skyv den tilbake i posisjonen for 45°.
- ◆ Stram skruene (9).

Tilbakestille anleggsplaten for rette kutt:

- ◆ Løsne skruene (9).
- ◆ Trekk anleggsplaten (4) fremover, roter den til senter og skyv den tilbake i posisjonen for 0°.
- ◆ Stram skruene (9).

Innstilling av pendelbevegelsen (fig. F)

- ◆ Still inn pendelslagvelgeren (6) i ønsket stilling.
  - Stilling 0: metall, aluminium og platemetall.
  - Posisjon I: for laminater, hardt tre, arbeidsflater.
  - Posisjon II: for finerplater og PVC/plast.
  - Posisjon III: for mykt tre og hurtigsaging.

### Variabel hastighetskontroll

Verktøyet har en på/av-bryter (1) med variabel hastighet.

Verktøyets hastighet er avhengig av hvor langt inn du trykker bryteren.

- ◆ Bruk høy hastighet til tre, middels hastighet til aluminium og PVC og lav hastighet for andre metaller enn aluminium.

### Start og stopp

- ◆ Trykk på strømbryteren (1) for å slå verktøyet på.
- ◆ Slipp strømbryteren (1) for å slå verktøyet av.
- ◆ For kontinuerlig saging, trykk på låseknappen (2) og slipp på/av-bryteren (1).

- ◆ For å slå verktøyet av når det er i kontinuerlig drift, trykk og slipp på/av-bryteren (1).

### Saging

- ◆ Hold verktøyet fast med begge hender når du sager.
- ◆ Anleggsplaten må holdes fast inn mot materialet som sages. Dette vil hjelpe å hindre sagen fra å hoppe, redusere vibrasjon og minimere bladbrudd.
- ◆ La bladet gå ubelastet i et par sekunder før du begynner å sage.
- ◆ Legg kun forsiktig trykk på verktøyet mens du sager.

### Råd for optimalt resultat

#### Sage laminater

Når du kutter laminater kan det forekomme splintring som kan ødelegge den presentable flaten. De vanligste sagbladene kutter på vei oppover. Hvis anleggsplaten sitter på presentasjonsflaten bør du enten bruke et sagblad som kutter på vei nedover, eller:

- ◆ Bruk et fintannet sagblad.
- ◆ Sag fra baksiden av arbeidsemnet.
- ◆ Du kan redusere oppflisingen ved å klemme fast en planke eller fiberplate på baksiden av arbeidsemnet, og sage gjennom alle delene samtidig.

#### Sage i metall

- ◆ Husk at det tar mye mer tid å sage i metall enn i tre.
- ◆ Bruk et sagblad som er egnet for saging i metall.
- ◆ Klem fast en planke på baksiden av arbeidsemnet når du skal sage tynne metallplater, og sag gjennom begge deler samtidig.
- ◆ Legg en oljefilm langs beregnet sagelinje.

### Vedlikehold

Ditt Black & Decker-verktøy er konstruert for å være i drift over en lang periode med et minimum av vedlikehold. Med riktig vedlikehold og regelmessig rengjøring opprettholder apparatet ytelsen.

**Advarsel!** Før du utfører vedlikehold eller rengjøring må du forvisse deg om at verktøyet er koblet fra strømmen og at sagbladet har stanset.

- ◆ Rengjør ventilasjonsslissene på verktøyet og laderen regelmessig med en myk børste eller en tørr klut.
- ◆ Rengjør motorhuset regelmessig med en fuktig klut. Ikke bruk slipende eller løsemiddelbaserte rengjøringsmidler. La det aldri slippe væske inn i verktøyet, og senk aldri noen del av verktøyet ned i væske.

### Miljøvern



Kildesortering. Dette produktet må ikke kastes i det vanlige husholdningsavfallet.

Hvis du finner ut at Black & Decker-produktet ditt må skiftes ut, eller hvis du ikke lenger har bruk for det, må du unnlate å kaste det sammen med det vanlige husholdningsavfallet. Sørg for at dette produktet gjøres tilgjengelig for kildesortering.



Kildesortering av brukte produkter og emballasje gjør det mulig å resirkulere materialer og bruke dem igjen. Gjenbruk av resirkulerte materialer bidrar til å forhindre forsøpling av miljøet og reduserer behovet for råmaterialer.

Lokale regelverk kan legge tilrette for kildesortering av elektriske produkter fra husholdningen, ved kommunale deponier eller gjennom forhandleren når du kjøper et nytt produkt.

Black & Decker har tilrettelagt for innsamling og resirkulering av Black & Decker-produkter etter at de har utspilt sin rolle. Ønsker du å benytte deg av denne tjenesten, returnerer du produktet ditt til et autorisert serviceverksted, som tar det imot og formidler det videre.

Du kan få adressen til ditt nærmeste autoriserte serviceverksted ved å kontakte ditt lokale Black & Decker-kontor på adressen oppgitt i denne håndboken. Du kan også finne en komplett liste over autoriserte Black & Decker-serviceverksteder og utfyllende informasjon om vår etter salg-service og kontaktnumre på Internett på følgende adresse:

[www.2helpU.com](http://www.2helpU.com)

**Tekniske data**

		AST8XC/KS700PE/KS701PE KS702PE/KS703PE
Spenning	V <sub>AC</sub>	230
Inn-effekt	W	480
Hastighet ubelastet	min <sup>-1</sup>	0-3.000
Maks. sagedybde		
Tre	mm	60
Stål	mm	5
Aluminium	mm	10
Vekt	kg	1,9

**Lydtrykknivå, målt i samsvar med EN 60745:**

Lydtrykk (L<sub>PA</sub>) 86 dB(A), usikkerhet (K) 3 dB(A)

Lydeffekt (L<sub>WA</sub>) 97 dB(A), usikkerhet (K) 3 dB(A)

**Totalverdier, vibrasjon (triax vektorsum) i samsvar med EN 60745:**

Sage tre (a<sub>h,CW</sub>) 8.5 m/s<sup>2</sup>, usikkerhet (K) 2.4 m/s<sup>2</sup>

Sage metall (a<sub>h,CW</sub>) 9.4 m/s<sup>2</sup>, usikkerhet (K) 3.3 m/s<sup>2</sup>

**Samsvarserklæring for EU**

MASKINDIREKTIVET



AST8XC/KS700PE/KS701PE/KS702PE/KS703PE

Black & Decker erklærer at produktene som beskrives under "tekniske data" oppfyller kravene til: 98/37/EF (til 28. desember 2009), 2006/42/EF (fra 29. desember 2009), EN 60745-1, EN 60745-2-11

For mer informasjon, kontakt Black & Decker på følgende adresse eller se bakerst i håndboken.

Undertegnede er ansvarlig for sammenstillingen av den tekniske filen og avgir denne erklæringen på vegne av Black & Decker.

Kevin Hewitt  
Visepresident, Global Engineering  
Black & Decker Europe, 210 Bath Road, Slough,  
Berkshire, SL1 3YD  
Storbritannia  
1-10-2009

**Reservdeler / reparasjoner**

Reservdeler kan kjøpes hos autoriserte Black & Decker serviceverksteder, som også gir kostnadsoverslag og reparerer våre produkter.

Oversikt over våre autoriserte serviceverksteder finnes på Internet, vår hjemmeside [www.blackanddecker.no](http://www.blackanddecker.no) samt [www.2helpU.com](http://www.2helpU.com)

**Garanti**

Black & Decker garanterer at produktet ikke har material- og/eller fabrikkasjonsfeil ved levering til kunde. Garantien er i tillegg til kundens lovlige rettigheter og påvirker ikke disse. Garantien gjelder innen medlemsstatene i den Europeiske Unionen og i det Europeiske Frihandelsområdet.

Hvis et Black & Decker produkt går i stykker på grunn av material- og/eller fabrikkasjonsfeil eller har mangler i forhold til spesifikasjonene, innen 24 måneder fra kjøpet, påtar Black & Decker seg å reparere eller bytte ut produktet med minst mulig vanskelighet for kunden.

Garantien gjelder ikke for feil som kommer av:

- ◆ normal slittasje
- ◆ feilaktig bruk eller vedlikehold (mislighold)
- ◆ at produktet har blitt skadet av fremmede gjenstander, emner eller ved et uhell

Det gjøres oppmerksom på at produktet ikke er beregnet på industriell/profesjonell/yrkesmessig bruk, men til hus- og hjemmebruk.

Garantien gjelder ikke om reparasjoner har blitt utført av noen andre enn et autorisert Black & Decker serviceverksted.

For å ta garantien i bruk skal produktet og kjøpekvittring leveres til forhandleren eller til et autorisert serviceverksted senest 2 måneder etter at feilen har blitt oppdaget. For informasjon om nærmeste autoriserte serviceverksted; kontakt det lokale Black & Decker kontoret på den adressen som er angitt i bruksanvisningen. En oversikt over alle autoriserte serviceverksteder samt servicevilkår finnes også tilgjengelig på Internet, adresse: [www.2helpU.com](http://www.2helpU.com)

Vennligst stikk innom våre nettsider på [www.blackanddecker.no](http://www.blackanddecker.no) for å registrere ditt nye Black & Decker-produkt og for å holde deg oppdatert om nye produkter og spesialtilbud. Du finner mer informasjon om Black & Decker og produktutvalget vårt på [www.blackanddecker.no](http://www.blackanddecker.no)

## Anvendelsesområde

Din Black & Decker dekupørsav er designet til savning i træ, plastik og plademetal. Værktøjet er kun beregnet til privat brug.

## Sikkerhedsinstruktioner

### Generelle sikkerhedsadvarsler for værktøjet



**Advarsel! Læs alle sikkerhedsadvarsler og instrukser.** Hvis nedenstående advarsler og instrukser ikke følges, er der risiko for elektrisk stød, brand og/eller alvorlige personskader.

### Gem alle advarsler og instruktioner til fremtidig brug.

Det benyttede begreb "el-værktøj" i nedennævnte advarsler refererer til el-netdrevne (med tilslutningsledning) eller batteridrevne maskiner (uden tilslutningsledning).

1. **Sikkerhed i arbejdsområdet**
  - a. **Sørg for, at arbejdsområdet er rent og ryddeligt.**  
Rodede eller uoplyste arbejdsområder øger faren for uheld.
  - b. **Brug ikke el-værktøj i eksplosionstruede omgivelser, f.eks. hvor der er brændbare væsker, gasser eller støv.**  
El-værktøj kan slå gnister, der kan antænde støv eller dampe.
  - c. **Sørg for, at børn og andre personer holder sig på afstand, når el-værktøjet er i brug.** Hvis man distraheres, kan man miste kontrollen over maskinen.
2. **El-sikkerhed**
  - a. **El-værktøjsstik skal passe til kontakten. Stikkene må under ingen omstændigheder ændres. Brug ikke adapterstik sammen med jordforbundet el-værktøj.**  
Uændrede stik, der passer til kontakterne, nedsætter risikoen for elektrisk stød.
  - b. **Undgå kropskontakt med jordforbundne overflader som f.eks. rør, radiatorer, komfurer og køleskabe.** Hvis din krop er jordforbundet, øges risikoen for elektrisk stød.
  - c. **El-værktøj må ikke udsættes for regn eller fugt.**  
Indtrængen af vand i el-værktøj øger risikoen for elektrisk stød.
  - d. **Undgå at ødelægge ledningen. Undgå at bære, trække eller afbryde el-værktøjet ved at rykke i ledningen.**  
Beskyt ledningen mod varme, olie, skarpe kanter eller maskindele, der er i bevægelse. Beskadigede eller indviklede ledninger øger risikoen for elektrisk stød.
  - e. **Hvis el-værktøj benyttes i det fri, skal der benyttes en forlængerledning, som er godkendt til udendørs brug.**  
Brug af en forlængerledning til udendørs brug nedsætter risikoen for elektrisk stød.
  - f. **Ved anvendelse af et elektrisk værktøj i områder med damp, anvend da en beskyttende afskærmning.**  
Denne afskærmning reducerer risikoen for elektrisk stød.
3. **Personlig sikkerhed**
  - a. **Vær opmærksom, hold øje med, hvad du laver, og brug el-værktøjet fornuftigt. Man bør ikke bruge maskinen, hvis man er træt, har nydt alkohol eller er påvirket af medicin eller euforiserende stoffer.**  
Få sekunders uopmærksomhed ved brug af el-værktøjet kan føre til alvorlige personskader.
  - b. **Anvend sikkerhedsudstyr. Bær altid beskyttelsesbriller.**  
Beskyttende udstyr, som en støvmaske, skridsikre sikkerhedssko, beskytteshjelm eller ørepropper anvendt i de rigtige betingelser reducerer ulykker.
  - c. **Forebyg umotiveret opstart. Vær sikker på, at kontakten er slukket før du forbinder kraftkilden og/eller batteriet, løfter eller bærer værktøjet.** Hvis du bærer på værktøjet med din finger på kontakten eller starter værktøjet med kontakten slået til indbyder til ulykker.
  - d. **Fjern indstillingsværktøj eller skruenøgle, inden el-værktøjet tændes.** Et værktøj eller en nøgle, der efterlades i en roterende del i el-værktøjet, kan resultere i personskader.
  - e. **Overvurder ikke dig selv. Sørg for, at du altid har sikkert fodfæste og balance.** Det gør det nemmere at kontrollere el-værktøjet, hvis der skulle opstå uventede situationer.
  - f. **Brug egnet arbejdstøj. Undgå løse beklædningsgenstande eller smykker. Hold hår, tøj og handsker væk fra dele, der bevæger sig.** Bevægelige dele kan gribe fat i løstsiddende tøj, smykker eller langt hår.
  - g. **Hvis støvudsugnings- og opsamlingsudstyr kan monteres, er det vigtigt, at dette tilsluttes og benyttes korrekt.** Brug af støvopsamling nedsætter risikoen for personskader som følge af støv.
4. **Brug og vedligeholdelse af el-værktøj**
  - a. **Undgå at overbelaste el-værktøjet. Brug altid det rette el-værktøj til opgaven.** Med det rigtige el-værktøj udføres arbejdet lettere og sikrere inden for det angivne effektområde.
  - b. **Brug ikke el-værktøjet, hvis afbryderen er defekt.**  
El-værktøj, der ikke kan reguleres med afbryderen, er farligt og skal repareres.
  - c. **Træk stikket ud af stikkontakten og/eller afmonter batteriet inden indstilling, tilbehørsudskiftning eller opbevaring af el-værktøjet.** Disse sikkerhedsforanstaltninger reducerer risikoen for utilsigtet start af værktøjet.
  - d. **Opbevar ubenyttet el-værktøj uden for børns rækkevidde. Lad aldrig personer, der ikke er fortrolige med el-værktøj, eller som ikke har gennemlæst disse instrukser, benytte maskinen.** El-værktøj er farligt, hvis det benyttes af ukyndige personer.

- e. **El-værktøj bør vedligeholdes omhyggeligt. Kontroller, om bevægelige dele er skæve og ikke sidder fast, og om delene er brækket eller beskadiget, således at el-værktøjets funktion påvirkes. Få beskadigede dele repareret, inden el-værktøjet tages i brug.** Mange uheld skyldes dårligt vedligeholdt el-værktøj.
- f. **Sørg for, at skæreværktøjer er skarpe og rene.** Omhyggeligt vedligeholdt skæreværktøjer med skarpe skærekanter sætter sig ikke så hurtigt fast og er nemmere at føre.
- g. **Brug el-værktøj, tilbehør, indsatsværktøj osv. i overensstemmelse med disse instrukser, og sådan som det kræves for denne specielle værktøjstype. Tag hensyn til arbejdsforholdene og det arbejde, der skal udføres.** I tilfælde af anvendelse af el-værktøjet til formål, som ligger uden for det fastsatte anvendelsesområde, kan der opstå farlige situationer.
5. **Service**
- a. **Sørg for, at el-værktøjet kun repareres af kvalificerede fagfolk, og at der kun benyttes originale reservedele.** Dermed bevares el-værktøjets sikkerhed.

## Yderligere sikkerhedsadvarsler for værktøjet



**Advarsel!** Supplerende sikkerhedsadvarsler for kontursave og pendulsave.

- ◆ **Hold altid fast på maskinen på de isolerede håndtagsflader, når der skal saves i emner, hvor der er risiko for, at skæreværktøjet kan komme i kontakt med strømførende ledninger eller apparatets eget kabel.**  
I tilfælde af at skæretilbehør kommer i kontakt med strømførende ledninger, vil metaldelene på værktøjet være under spænding og give elektrisk stød.
- ◆ **Brug spænder eller en anden praktisk måde til at sikre og støtte arbejdsemnet til en stabil flade.** Hvis det holdes i hånden eller mod kroppen, er det ustabilt og kan føre til tab af kontrol.
- ◆ **Hold hænderne væk fra skæreområdet.** Ræk aldrig hænderne ned under arbejdsemnet. Sæt aldrig fingrene eller tommelen ind i nærheden af pendulklingen og klingens spænde. Stabiliser ikke saven ved at gribe fat i skoene.
- ◆ **Hold klingerne skarpe.** Sløve eller beskadigede klinger kan få saven til at svinge eller sætte sig fast under tryk. Man skal altid benytte en klinge, der er velegnet til arbejdsemnets materiale samt den opgave, man ønsker at udføre.
- ◆ Når du skærer i rør eller kanalmateriale, så sørg for, at det er tømt for vand, elektriske ledninger etc.
- ◆ Undgå at berøre arbejdsemnet eller klingens, når du lige har anvendt værktøjet. De kan blive meget varme.

- ◆ Pas på skjulte farer, før du saver i vægge, gulve eller lofter. Kontroller området for ledninger og rør.
  - ◆ Klingens bliv ved med at bevæge sig, efter at kontakten er sluppet. Man skal altid slukke værktøjet og vente, indtil klingens er standset, før man sætter værktøjet fra sig.
- Advarsel!** Hvis brugeren eller eventuelle tilskuere kommer i kontakt med eller indånder støv fra slibeapparater, kan det skade deres helbred. Bær en specielt designet støvmaske til beskyttelse mod støv og røg, og sørg for, at personer på arbejdsområdet eller personer, der kommer ind på arbejdsområdet, også er beskyttede.
- ◆ Dette apparat er ikke egnet til brug for personer (inklusive børn) med manglende evner eller viden omkring produktet, med mindre de har modtaget undervisning eller instruktioner i brug af apparatet fra en person, som er ansvarlig for sikkerheden. Der skal være opsyn med børn for at sikre, at de ikke leger med maskinen.
  - ◆ Det formål, som dette værktøj er beregnet til, er beskrevet i denne brugsanvisning. Brug af andet tilbehør eller udførelse af en anden opgave med dette værktøj end de her anbefalede kan medføre risiko for personskader og/eller skader på materiel.

## Vibration

De deklarerede vibrationsemissionsværdier, som er angivet i tekniske data og overensstemmelseserklæring er blevet udmålt i overensstemmelse med en standardtestmetode foreskrevet af EN 60745 og kan anvendes til at sammenligne et værktøj med et andet. De deklarerede vibrationsemissionsværdier kan ligeledes anvendes i en præliminær undersøgelse af eksponeringen.

**Advarsel!** Vibrationsemissionsværdien under den faktiske brug af værktøjet kan variere fra den deklarerede værdi, alt efter hvilken måde værktøjet anvendes på. Vibrationerne kan nå op på et niveau over det anførte.

Når vibrationseksponeringen undersøges med det formål at fastsætte sikkerhedsforanstaltningerne ifølge 2002/44/EF for at beskytte personer, som regelmæssigt anvender værktøjer i forbindelse med deres arbejde, bør en måling af vibrationseksponeringen betænke, den måde værktøjet anvendes på inklusive alle dele af arbejdsstyrken såsom tidspunkter, hvor værktøjet er slukket eller kører i tomgang, ud over det tidsrum hvor det anvendes.

## Etiketter på værktøjet

Følgende piktogrammer ses på værktøjet:



**Advarsel!** For at mindske risikoen for skader skal brugeren læse instruktionsmanualen.



## El-sikkerhed



Denne maskine er dobbelt isoleret. Derfor er jordledning ikke nødvendig. Kontroller altid, at strømforsyningen svarer til spændingen på apparatets kiltet.

- ◆ Hvis el-ledningen er skadet, skal den udskiftes af producenten eller et autoriseret Black & Decker servicecenter for at undgå ulykker.

## Funktioner

Dette værktøj har nogle af - eller alle følgende funktioner:

1. Afbryder
2. Låseknop
3. Støvsugningsudgang
4. Savsko
5. Klingens støtterulle
6. Pendulsvstrøgsvælger

## Fig. C

7. Klingens opbevaringsrum (KS702PE & KS703PE)

## Montering

**Advarsel!** Før man udfører nogen af nedenstående operationer, skal man sikre sig, at værktøjet er slukket og taget ud af stikkontakten, og at savklingen er standset. Brugte savklinger kan være varme.

## På- og afmontering af savklingen (fig. A)

- ◆ Løsn (men fjern ej) de to skruer (11).
- ◆ Hold savklingen (8) med tænderne vendende fremad.
- ◆ Sæt savklingens skaft (8) så langt ind i savklingeholderen (10), som den kan komme.
- ◆ Stram de to skruer (11) skiftevis let, så klingen positioneres; stram derefter de to skruer helt (11).
- ◆ Fjern savklingen (8) ved at dreje begge skruer (11) en omgang mod uret.

## Tilslutning af en støvsuger til værktøjet (fig. B)

Der skal bruges en adapter (12) til at tilslutte en støvsuger eller et støvsugningsapparat til værktøjet. Adapteren kan købes hos den lokale Black & Decker-forhandler.

- ◆ Skub adapteren (12) ind i støvsugningsudgangen (3).
- ◆ Tilslut vakuumstøvsugerslangen (13) til adapteren (12).

## Opbevaring af savklingen (kun KS702PE & KS703PE) (fig. C)

Savklinger (8) kan opbevares i opbevaringskammeret (7), som findes på værktøjets side.

- ◆ Åbn lågen til opbevaringskammeret til savklinger (7) ved at holde i fligen øverst på lågen og trække udad.

- ◆ Fjern eller opbevar savklinger (8) i opbevaringskammeret (7).
- ◆ Luk lågen til opbevaringskammeret (7) og sørg for, at låsen er lukket.

## Skærelinjeblæser (fig. D)

- ◆ For at hjælpe med visibiliteten når du skærer, er din dekupørsav udstyret med en skærelinjeblæser (14), som holder arbejdsområdet fri for støv, mens du saver.

## Restrisici.

Der kan opstå yderligere restrisici under brugen af værktøjet, som ikke kan medtages i vedlagte sikkerhedsadvarsler. Disse risici kan opstå pga. forkert anvendelse, langvarig brug etc. Selv ved overholdelse af relevante sikkerhedsforskrifter og anvendelse af sikkerhedsudstyr kan visse restrisici ikke undgås. Disse omfatter:

- ◆ **Tiiskadekomst forårsaget af berøring af roterende/ bevægelige dele.**
- ◆ **Tiiskadekomst forårsaget af udskiftning af dele, blade eller tilbehør.**
- ◆ **Tiiskadekomst forårsaget af langvarig brug af et værktøj. Husk at holde pause jævnlige ved brug af et værktøj i længere tid.**
- ◆ **Høreskader.**
- ◆ **Sundhedsrisici forårsaget af indånding af støv, der genereres ved brug af værktøjet (eksempel: Arbejde med træ, især, eg, bøg og MDF).**

## Brug

### Indstilling af savskoen til smigskæringer (fig. E)

Savskoen (4) kan indstilles til enten at foretage et lige snit eller venstre- eller højrevendt smig med vinkler på op til 45°.

- ◆ Løsn skruerne (9).
- ◆ Skub savskoen (4) frem, roter savskoen (4) til venstre eller højre og skub den tilbage til 45°-placeringen.
- ◆ Stram skruerne (9).

Sådan nulstilles savskoen til lige skæringer:

- ◆ Løsn skruerne (9).
- ◆ Skub savskoen (4) frem, roter den til midterposition og skub den tilbage til 0°-placering igen.
- ◆ Stram skruerne (9).

### Indstilling af pendulslaget (fig. F)

- ◆ Indstil pendulsvstrøgsvælgeren (6) på den ønskede position.
  - Position 0: metal og aluminium samt plademetal.
  - Position I: til laminat, hårdt træ og toptræ.
  - Position II: til krydsfiner og PVC/plastik.
  - Position III: til blødt træ og hurtig skæring.

## Styring af variabel hastighed

Værktøjet har en variabel hastigheds tænd/sluk-kontakt (1). Driftshastigheden afhænger af, hvor langt ind man trykker kontakten.

- ◆ Brug høj hastighed til træ, medium hastighed til aluminium og PVC og lav hastighed til alt andet metal end aluminium.

## Start og stop

- ◆ Tænd for værktøjet ved at trykke på afbryderen (1).
- ◆ Sluk for værktøjet ved at slippe afbryderkontakten (1).
- ◆ For vedvarende funktion trykker man på låseknappen (2) og slipper tænd/sluk-kontakten (1).
- ◆ Når maskinen arbejder i kontinuerlig drift, slukkes den ved at trykke og derefter slippe tænd/sluk-kontakten.

## Savning

- ◆ Hold altid godt fast i værktøjet med begge hænder, mens du skærer.
- ◆ Skoen skal trykkes godt ned mod det materiale, som skæres. Dette vil forhindre saven i at hoppe, reducere vibrationerne og minimere chancen for at klingens knækker.
- ◆ Lad klingene køre frit i et par sekunder, før savningen indledes.
- ◆ Tryk kun ganske let på værktøjet under savningen.

## Gode råd til optimalt brug

### Savning i laminater

Ved skæring af laminat kan splintring forekomme. Dette kan skade præsentationsoverfladen. De mest almindelige savklinger skærer opad, og derfor bør du, hvis skoen sidder på præsentationsoverfladen enten anvende en klinge, som skærer nedad eller:

- ◆ Brug en fintanded savklinge.
- ◆ Sav fra bagsiden af arbejdsområdet.
- ◆ Spænd et stykke krydsfiner eller et stykke træfiberplade på hver side af arbejdsområdet for at minimere splintring og derefter skære tværs igennem disse tre lag.

### Savning i metal

- ◆ Vær opmærksom på, at savning i metal tager meget længere tid end savning i træ.
- ◆ Brug en savklinge, der er egnet til savning i metal.
- ◆ Ved skæring i tyndt plademetal kan man spænde et stykke krydsfiner på bagsiden af arbejdsområdet og derefter skære tværs igennem disse to lag.
- ◆ Påfør et tyndt lag olie langs med savelinjen.

## Vedligeholdelse

Black & Decker værktøjet er designet til at være i drift i lang tid og med minimal vedligeholdelse. Forsat tilfredsstillende anvendelse afhænger af, at værktøjet behandles korrekt og gøres rent med regelmæssige mellemrum.

**Advarsel!** Før nogen form for vedligeholdelse og rengøring, så vær sikker på, at maskinen er slukket, og stikket er trukket, og at savklingen er stoppet.

- ◆ Rengør regelmæssigt værktøjets ventilationshuller og oplader med en blød børste eller en tør klud.
- ◆ Man skal regelmæssigt gøre motorhuset rent med en fugtig klud. Man må ikke bruge slibemidler eller opløsningsmidler. Der må ikke trænge væske ind i værktøjet, og værktøjet må hverken helt eller delvist neddyppes i væske

## Beskyttelse af miljøet



Separat indsamling. Dette produkt må ikke bortskaffes sammen med almindeligt husholdningsaffald.

Hvis du en dag skal udskifte dit Black & Decker produkt, eller hvis du ikke skal bruge det længere, må du ikke bortskaffe det sammen med husholdningsaffald. Dette produkt skal være tilgængeligt for separat indsamling.



Separat indsamling af brugte produkter og emballage gør det muligt at genbruge materialer. Genbrugte materialer forebygger miljøforurening og nedbringer behovet for råstoffer.

Lokale regler kan give mulighed for separat indsamling af elektriske husholdningsprodukter på kommunale lossepladser eller hos den forhandler, som du købte produktet af.

Black & Decker har en facilitet til indsamling og genbrug af Black & Decker-produkter, når deres levetid er slut.

Få fordelene ved denne service ved at returnere produktet til en autoriseret tekniker, der samler værktøj sammen på vores vegne.

Du kan få oplyst den nærmeste autoriserede tekniker ved at kontakte det lokale Black & Decker-kontor på den adresse, der er angivet i denne brugsanvisning. Alternativt findes der en liste over autoriserede Black & Decker-teknikere og oplysninger om vores eftersalgsservice og kontaktpersoner på Internettet på adressen: [www.2helpU.com](http://www.2helpU.com)

**Tekniske data**

AST8XC/KS700PE/KS701PE KS702PE/KS703PE	
Spænding	V <sub>AC</sub> 230
Motoreffekt	W 480
Ubelastet hastighed	min <sup>-1</sup> 0-3.000
Maks. savdybde	
Træ	mm 60
Stål	mm 5
Aluminium	mm 10
Vægt	kg 1,9

**Lydniveau i henhold til EN 60745:**Lydtryk (L<sub>PA</sub>) 86 dB(A), usikkerhed (K) 3 dB(A)Lydintensitet (L<sub>WA</sub>) 97 dB(A), usikkerhed (K) 3 dB(A)**Vibrationernes totale værdi (triax vector sum) i henhold til EN 60745:**Skæring i træ (a<sub>n,CW</sub>) 8.5 m/s<sup>2</sup>, usikkerhed (K) 2.4 m/s<sup>2</sup>Skæring i metal (a<sub>n,CW</sub>) 9.4 m/s<sup>2</sup>, usikkerhed (K) 3.3 m/s<sup>2</sup>**EU overensstemmelseserklæring**

MASKINDIREKTIV



AST8XC/KS700PE/KS701PE/KS702PE/KS703PE

Black & Decker erklærer, at disse produkter, beskrevet under "tekniske data", overholder følgende:  
98/37/EF (indtil Dec. 28, 2009), 2006/42/EF (fra Dec. 29, 2009), EN 60745-1, EN 60745-2-11

For mere information, kontakt venligst Black & Decker på følgende adresse eller på adressen bagerst i brugsanvisningen.

Undertegnede er ansvarlig for kompilering af den tekniske fil og laver denne deklaration på vegne af Black & Decker.

Kevin Hewitt

Vice-President Global Engineering  
Black & Decker Europe, 210 Bath Road, Slough,  
Berkshire, SL1 3YD  
Storbritannien  
1-10-2009

**Reserve dele / reparationer**

Reserve dele kan købes hos autoriserede Black & Decker serviceværksteder, som giver forslag til omkostninger og reparerer vore produkter. Oversigt over vore autoriserede værksteder findes på internettet på vor hjemmeside [www.blackanddecker.dk](http://www.blackanddecker.dk) samt [www.2helpU.com](http://www.2helpU.com)

**Garanti**

Black & Decker garanterer, at produktet er fri for materielle skader og/eller fabriktionsfejl ved levering til kunden. Garantien er et tillæg til konsumentens lovlige rettigheder og påvirker ikke disse. Garantien gælder indenfor medlemsstaterne af den Europæiske Union og i det Europæiske Frihandelsområde.

Hvis et Black & Decker produkt går i stykker på grund af materiel skade og/eller fabriktionsfejl eller på anden måde ikke fungerer i overensstemmelse med specifikationen, inden for 24 måneder fra købsdatoen, påtager Black & Decker sig at reparere eller ombytte produktet med mindst muligt besvær for kunden.

Garantien gælder ikke for fejl og mangler, der er sket i forbindelse med:

- ◆ normal slitage
- ◆ uheldige følger efter unormal anvendelse af værktøjet
- ◆ overbelastning, hævværk eller overdrevent intensivt brug af værktøjet
- ◆ ulykkeshændelse

Garantien gælder ikke hvis reparationer er udført af nogen anden end et autoriseret Black & Decker værksted.

For at udnytte garantien skal produktet og købskvitteringen indleveres til forhandleren eller til et autoriseret værksted, senest 2 måneder efter at fejlen opdages. For information om nærmeste autoriserede værksted: kontakt det lokale Black & Decker kontor på den adresse som er opgivet i brugsanvisningen. Liste over alle autoriserede Black & Decker serviceværksteder samt servicevilkår er tilgængelig på internettet, på adressen [www.2helpU.com](http://www.2helpU.com)

Gå venligst ind på vores website [www.blackanddecker.dk](http://www.blackanddecker.dk) for at registrere dit nye produkt og for at blive holdt ajour om nye produkter og specialtilbud. Der findes yderligere oplysninger om mærket Black & Decker og vores produktsortiment på adressen [www.blackanddecker.dk](http://www.blackanddecker.dk)

## Käyttötarkoitus

Black & Deckerin pistosaha on suunniteltu puun, muovin ja metallin sahaamiseen. Kone on tarkoitettu kotikäyttöön.

## Turvaohjeet

### Yleiset sähkötyökalujen turvallisuusohjeet



**Varoitus! Kaikki ohjeet täytyy lukea.** Alla olevien ohjeiden noudattamisen laiminlyönti saattaa johtaa sähköiskuun, tulipaloon ja/tai vakavaan loukkaantumiseen.

**Säilytä nämä ohjeet hyvin.** Seuraavassa käytetty käsite "sähkötyökalu" käsittää verkkokäyttöiset sähkötyökalut (verkkojohdolla) ja paristokäyttöiset sähkötyökalut (ilman verkkojohtoa).

#### 1. Työpisteen turvallisuus

- Pidä työskentelyalue puhtaana ja hyvin valaistuna.** Epäjärjestyksessä olevilla ja valaisemattomilla työalueilla voi tapahtua tapaturmia.
- Älä työskentele sähkötyökalulla räjähdysalttiissa ympäristössä, jossa on palavaa nestettä, kaasua tai pölyä.** Sähkötyökalu muodostaa kipinöitä, jotka saattavat sytyttää pölyn tai höyryt.
- Pidä lapset ja sivulliset loitolla sähkötyökalua käyttäessäsi.** Voit menettää laitteesi hallinnan huomiosi suuntautuessa muualle.

#### 2. Sähköturvallisuus

- Sähkötyökalun pistotulpan tulee sopia pistorasiaan. Pistotulppaa ei saa muuttaa millään tavalla. Älä käytä minkäänlaisia sovintipistokkeita maadoitettujen sähkötyökalujen kanssa.** Alkuperäisessä tilassa olevat pistotulpat ja sopivat pistorasiat vähentävät sähköiskun vaaraa.
- Vältä koskettamasta maadoitettuja pintoja, kuten putkia, pattereita, liesiä tai jääkaappeja.** Sähköiskun vaara kasvaa, jos kehosi on maadoitettu.
- Älä altista sähkötyökalua sateelle tai kosteudelle.** Veden tunkeutuminen sähkötyökalun sisään kasvattaa sähköiskun riskiä.
- Älä käytä verkkojohtoa väärin. Älä käytä sitä sähkötyökalun kantamiseen, vetämiseen tai pistotulpan irrottamiseen pistorasiasta. Pidä johto loitolla kuumuudesta, öljystä, terävistä reunoista ja liikkuvista osista.** Vahingoittuneet tai sotkeutuneet johdot kasvattavat sähköiskun vaaraa.
- Käyttäessäsi sähkötyökalua ulkona, käytä ainoastaan ulkokäyttöön soveltuvaa jatkojohtoa.** Ulkokäyttöön soveltuvan jatkojohdon käyttö pienentää sähköiskun vaaraa.

- Jos sähkötyökalua joudutaan käyttämään kosteassa ympäristössä, käytä aina jännösvirtalaitteella (RCD) suojattua virtalähdettä.** Jännösvirtalaitteen käyttö vähentää sähköiskun vaaraa.

#### 3. Henkilöturvallisuus

- Ole valpas, kiinnitä huomiota työskentelyysi ja noudata tervettä järkeä sähkötyökalua käyttäessäsi. Älä käytä sähkötyökalua, jos olet väsynyt tai huumeiden, alkoholin tai lääkkeiden vaikutuksen alaisena.** Hetken tarkkaamattomuus sähkötyökalua käytettäessä saattaa johtaa vakavaan loukkaantumiseen.
- Käytä suojarusteita. Käytä aina suojalaseja.** Suojarusteet, kuten pölynsuojanaamari, luistamattomat turvajalkineet, kypärä ja kuulosuojaimet pienentävät, tilanteen mukaan oikein käytettyinä, loukkaantumisriskiä.
- Vältä sähkötyökalun tahatonta käynnistämistä. Varmista, että käynnistyskytkin on asennossa "off", ennen kuin kytket pistotulpan pistorasiaan tai kannat sähkötyökalua.** Jos kannat sähkötyökalua sormi käynnistyskytkimellä tai kytket sähkötyökalun pistotulpan pistorasiaan, käynnistyskytkimen ollessa käyntiasennossa, altistat itsesi onnettomuuksille.
- Poista kaikki säätötyökalut ja ruuvitaltat, ennen kuin käynnistät sähkötyökalun.** Laitteen pyöriivään osaan jäänyt työkalu tai avain saattaa johtaa loukkaantumiseen.
- Älä kurkota. Seiso aina tukevasti ja tasapainossa.** Täten voit paremmin hallita sähkötyökalua odottamattomissa tilanteissa.
- Käytä tarkoitukseen soveltuvia vaatteita. Älä käytä löysiä työvaatteita tai koruja. Pidä hiukset, vaatteet ja käsineet loitolla liikkuvista osista.** Väljät vaatteet, korut ja pitkät hiukset voivat takertua liikkuviin osiin.
- Jos polynimu- ja keräilylaitteita voidaan asentaa työkaluun, sinun pitää tarkistaa, että ne on liitetty ja että niitä käytetään oikealla tavalla.** Näiden laitteiden käyttö vähentää pölyn aiheuttamia vaaroja.

#### 4. Sähkötyökalujen käyttö ja hoito

- Älä ylikuormita sähkötyökalua. Käytä kyseiseen työhön tarkoitettua sähkötyökalua.** Sopivaa sähkötyökalua käyttäen työskentelet paremmin ja varmemmin tehoalueella, jolle sähkötyökalu on tarkoitettu.
- Älä käytä sähkötyökalua, jota ei voida käynnistää ja pysäyttää virtakytkimestä.** Sähkötyökalu, jota ei enää voida käynnistää ja pysäyttää käynnistyskytkimellä, on vaarallinen ja se täytyy korjata.
- Irrota pistotulppa pistorasiasta, ennen kuin suoritat säätöjä, vaihdat tarvikkeita tai siirät sähkötyökalun varastoitavaksi.** Nämä turvatoimenpiteet laskevat sähkötyökalun tahatonta käynnistysriskiä.

- d. Säilytä sähkötyökalut poissa lasten ulottuvilta, kun niitä ei käytetä. Älä anna sellaisten henkilöiden käyttää sähkötyökalua, jotka eivät tunne sitä tai jotka eivät ole lukeneet tätä käyttöohjetta. Sähkötyökalut ovat vaarallisia, jos niitä käyttävät kokemattomat henkilöt.
- e. Hoida sähkötyökalusi huolella. Tarkista, että liikkuvat osat toimivat moitteettomasti, eivätkä ole puristuksessa ja että työkalussa ei ole murtuneita tai vahingoittuneita osia, jotka saattaisivat vaikuttaa haitallisesti sen toimintaan. Korjauta mahdolliset viat ennen käyttöönottoa. Moni tapaturma aiheutuu huonosti huolletuista laitteista.
- f. Pidä leikkausterät terävinä ja puhtaina. Huolellisesti hoidetut leikkaustyökalut, joiden terät ovat teräviä, eivät tartu helposti kiinni ja niitä on helpompi hallita.
- g. Käytä sähkötyökaluja, tarvikkeita, vaihtotyökaluja jne. näiden ohjeiden mukaisesti. Ota tällöin huomioon työolosuhteet ja suoritettava toimenpide. Sähkötyökalun käyttö muuhun kuin tarkoituksenmukaiseen käyttöön saattaa johtaa vaarallisiin tilanteisiin.
5. Huolto
- a. Anna koulutettujen ammattitaitoisten henkilöiden korjata sähkötyökalusi ja hyväksy korjauksiin vain alkuperäisiä varaosia. Täten varmistat, että sähkötyökalu säilyy turvallisena.

- ◆ Putkea tai kanavaa sahatessa on varmistettava, että niissä ei ole vettä, sähköjohdostusta jne.
- ◆ Älä koske työstökappaleeseen tai terään heti sen käytön jälkeen. Ne voivat kuumentua.
- ◆ Varo näkymättömiä vaaroja; ennen seinien, lattioiden tai kattojen leikkaamista tarkista sähköjohtojen ja putkistojen sijainnit.
- ◆ Terä jatkaa liikkumista kytkimen vapautuksen jälkeen. Pysäyttäessäsi koneen odota, että terän liike on kokonaan pysähtynyt ennen kuin lasket koneen käsiäsi.

**Varoitus!** Työstä syntyvä pöly voi aiheuttaa terveyshaittoja käyttäjälle ja mahdollisille sivullisille. Käytä erityismuotoitua, pölyltä ja höyryiltä suojaavaa kasvosuojusta. Varmista, että sekä työalueella olevat että sen läheisyyteen saapuvat ihmiset käyttävät suojusta.

- ◆ Henkilöt (lapsen mukaan lukien), joilla on fyysisiä, tunnellisia tai henkisiä rajoituksia tai rajallinen kokemus ja tuntemus, eivät saa käyttää tätä laitetta ellei heidän turvallisuudesta vastaava henkilö valvo tai ohjaa heitä laitteen käytössä. Lapsia on valvottava, etteivät he leiki koneen kanssa.
- ◆ Käyttö, johon työkalu on tarkoitettu, on kuvattu tässä käyttöohjeessa. Käytä vain käyttöohjeessa ja tuotekuvastossa suositeltuja tarvikkeita ja lisälaitteita. Ohjeesta poikkeava käyttö voi aiheuttaa onnettomuuden ja/tai aineellisia vahinkoja.

## Sähkötyökalujen lisäturvallisuusohjeet



**Varoitus!** Lisäturvallisuusohjeet lehtisahoille ja kehysahoille

- ◆ **Pitele työkalua sen eristetyistä kosketuspinoista silloin, kun leikkausväline voi päästä kosketuksiin piilossa oleviin johtoihin tai sen omaan johtoon.** Jännitteeseen johtimeen koskettava leikkaustarvike saattaa tehdä työkalun paljaista metalliosista jännitteisiä ja aiheuttaa sähköiskun käyttäjälle.
- ◆ **Käytä ruuvipuristimia tai vastaavaa keinoa, jolla saat kiinnitettyä ja tuettua työkappaleen tukevalle alustalle.** Työkappaleen kannattelemisen käsin tai tukeminen kehoa vasten voi johtaa kappaleen irtoamiseen ja vaaratilanteen syntymiseen.
- ◆ **Pidä kädet pois leikkausalueelta.** Älä koskaan aseta mitään ruumiinosaa työstökappaleen alapuolelle. Älä aseta sormia tai peukaloa kehysahan terään tai terän kiinnittimeen. Älä vakauta sahaa tarttumalla kiinni kenkään.
- ◆ **Pidä terät terävinä.** Tylsät tai vaurioituneet terät voivat johtaa sahan heittelehtimiseen tai pysähtymiseen paineenalaisena. Käytä aina sahanterää, joka sopii työstettävään materiaaliin sekä haluttuun sahausjälkeen.

## Tärinä

Käyttöohjeen teknisissä tiedoissa ja vaatimustenmukaisuusvaikutuksessa ilmoitetut tärinän päästöarvot on mitattu EN 60745-normin vakioiden testimenetelmän mukaisesti ja niitä voidaan käyttää työkalun vertaamisessa toiseen. Ilmoitettua tärinän päästöarvoa voidaan myös käyttää altistumisen arviointiin ennakolta.

**Varoitus!** Sähkötyökalun tärinän päästöarvo voi varsinaisen käytön aikana poiketa ilmoitetusta arvosta riippuen siitä, millä tavalla työkalua käytetään. Tärinän taso voi kohota ilmoitetun tason yläpuolelle.

Kun tärinälle altistumista arvioidaan, jotta voidaan määrittää 2002/44/EY-direktiivin edellyttämät turvatoimenpiteet säännöllisesti sähkötyökaluja työssä käyttävien henkilöiden suojelemiseksi, tärinälle altistumisen arvion tulee ottaa huomioon varsinaiset käyttöolosuhteet ja työkalun käytötavan, johon sisältyy kaikkien käyttöjakson osien huomioon ottaminen, kuten ajat, jolloin työkalu on pois päältä tai kun se käy joutokäyntiä sekä käynnistysajan.

## Koneessa olevat merkit

Koneessa on seuraavat kuvakemerkinnät:



**Varoitus!** Loukkaantumisen vaaran ehkäisemiseksi käyttäjän on luettava käyttöohjeet.

## Sähköturvallisuus



Tämä laite on kaksoiseristetty; siksi erillistä maadoitusta ei tarvita. Tarkista aina, että virtalähde vastaa arvokilvessä ilmoitettua jännitettä.

- ◆ Jos sähköjohto on vaurioitunut, se saadaan vaihtaa vain valtuutetussa Black & Deckerin huoltoliikkeessä vaaratilanteiden välttämiseksi.

## Ominaisuudet

Tämä työkalu sisältää joitakin tai kaikki seuraavista ominaisuuksista:

1. Virrankatkaisija
2. Lukitusnappi
3. Pölynpoistoliihtä
4. Sahausjalka
5. Sahanterän tukirulla
6. Edestakaisen iskun valitsin

## Kuva C

7. Sahanterän varastointilokero (KS702PE & KS703PE)

## Kokoaminen

**Varoitus!** Ennen kuin ryhdyt mihinkään seuraavista toimista, varmista, että kone on kytketty pois päältä, sitä ei ole liitetty virtalähteeseen ja että sahanterä on pysähtynyt. Käytetyt sahanterät saattavat olla kuumia.

## Sahanterä kiinnitys ja poistaminen (kuva A)

- ◆ Löysää (älä poista) kaksi ruuvia (11).
- ◆ Pidä sahanterää (8) siten, että sen hampaat katsovat eteenpäin.
- ◆ Sijoita sahanterän kara (8) terän pitimeen (10) niin pitkälle, kuin se menee.
- ◆ Kiristä hiukan kakasi ruuvia (11) valinnaisesti terän asentoon, kiristä sitten kaksi ruuvia täysin (11).
- ◆ Poistat sahanterän (8) kiertämällä molemmat ruuvit (11) yhden kierroksen vastapäivään.

## Teollisuuspölynimurin kytkeminen koneeseen (kuva B)

Adapteria (12) tarvitaan pölynimurin tai pölyn huippumurin kytkemiseksi työkaluun. Voit ostaa sovitimia Black & Decker -jälleenmyyjältä.

- ◆ Työnnä adapteri (12)pölyn huippumurin lähtöön (3),

- ◆ Kytke pölynimurin letku (13) adapteriin (12).

## Sahanterän varasto (vain KS702PE & KS703PE) (kuva C)

Sahanteriä (8) voidaan varastoida varastointilokerossa (7), joka on sijoitettu työkalun sivuun.

- ◆ Avaa sahanterän varastointilokeron kansi (7) pitämällä ovelsa olevaa kiinnityskorvaketta ja vetämällä sitä ulospäin.
- ◆ Poista tai varastoi sahanteriä (8) varastointilokerossa. (7).
- ◆ Sulje sahanterän varastointilokeron kansi (7) ja varmista, että se on salpattu kiinni.

## Leikkauslinjan puhallin (kuva D)

- ◆ Näkyvyyden auttamiseksi leikattaessa, kuviosahasi on varustettu leikkauslinjan puhaltimella (14), joka pitää työalueen puhtaana pölystä sahatessasi.

## Jäännösriskit.

Jäännösriskit ovat mahdollisia, jos käytät työkalua muulla kuin turvavaroituksissa mainitulla tavalla. Nämä riskit voivat liittyä muun muassa virheelliseen tai pitkäaikaiseen käyttöön. Tiettyjä jäännösriskejä ei voi välttää, vaikka noudatat kaikkia turvamaääräyksiä ja käytät turvalaitteita. Näihin kuuluvat muun muassa:

- ◆ pyörivien tai liikkuvien osien koskettamisen aiheuttamat vahingot.
- ◆ osia, teriä tai lisävarusteita vaihdettaessa aiheutuneet vahingot.
- ◆ työkalun pitkäaikaisen käytön aiheuttamat vahingot Kun käytät työkalua pitkään, varmista, että pidät säännöllisesti taukoja.
- ◆ kuulovauriot.
- ◆ työkalua käytettäessä (esimerkiksi puuta, erityisesti tammea, pyökkiä ja MDF-levyjä, käsiteltäessä) syntyneen pölyn sisäänhengityksen aiheuttamat terveysriskit.

## Käyttö

### Sahausjalan säätäminen kulmasahaukseen (kuva E)

Kenkälevy voidaan (4) asettaa joka suoraan leikkaukseen tai vasemman tai oikean viistoleikkauksen saavuttamiseksi 45° kulmassa.

- ◆ Löysää ruuvit (9).
- ◆ Vedä kenkälevyä (4) eteenpäin, kierrä kenkälevyä (4) vasemmalle tai oikealle ja työnnä se takaisin 45° paikkaan.
- ◆ Kiristä ruuvit (9).

Sahausjalan palauttaminen suoraan sahausasentoon:

- ◆ Löysää ruuvit (9).
- ◆ Vedä kenkälevyä (4) eteenpäin, kierrä keskelle ja työnnä takaisin 0° paikkaan.

- ◆ Kiristä ruuvit (9).

Edestakaisin iskun asetus (kuva F)

- ◆ Laita edestakaisin iskun valitsin (6) vaadittuun asentoon.
  - Asento 0: metalli ja alumiini, sekä metallilevy.
  - Asento I: valssilevyille, kovapuulle, työkansille.
  - Asento II: vanerille ja PVC/muoville.
  - Asento III: pehmeälle puulle ja nopealle leikkaukselle.

## Portaaton nopeus

Työkälulla on vaihteleva nopeuden on/off-kytkin (1).

Toimintanopeus riippuu siitä, kuinka pitkälle painat kytkintä.

- ◆ Käytä suurta nopeutta sahatessasi puuta, keskinopeutta sahatessasi alumiinia ja muovia ja pientä nopeutta sahatessasi muita metalleja kuin alumiinia.

## Käynnistys ja pysäytys

- ◆ Käynnistä kone painamalla virrankatkaisijaa (1).
- ◆ Sammuta kone päästämällä irti virrankatkaisijasta (1).
- ◆ Jatkuva toiminnaksi paina lukitus on-painiketta (2) ja vapauta on/off-kytkin (1).
- ◆ Kytkeyty työkalun pois päältä jatkuvasta toiminnasta painamalla ja vapauttamalla on/off-kytkintä (1).

## Sahaus

- ◆ Pidä työkalua hyvin molemmiin käsiin leikatessasi.
- ◆ Kenkää tulisi pitää lujasti leikattavaa materiaalia kohti. Tämä auttaa ehkäisemään sahan hyppimistä, vähentää tärinää ja minimoi terän särkymistä.
- ◆ Anna terän pyöriä vapaasti muutaman sekunnin ajan ennen kuin aloitat sahaamisen.
- ◆ Paina työkalua vain kevyesti, kun sahaat.

## Vinkkejä parhaimman tuloksen saamiseksi

### Laminaattien sahaaminen

Leikatessa saattaa ilmetä valssien rakoilua, joka voi vahingoittaa esittelypintaa. Kaikkein yleisimmät sahanterät leikkaavat ylöspäin iskien, näin ollen jos kenkälevy istuu esityspinnalla, käytä joko sellaista sahanterää, joka leikkaa alaspäin iskien, tai:

- ◆ Käytä hienohampaista sahanterää.
- ◆ Saha työstökökappaleen taustapuolelta.
- ◆ Materiaalin repeily voidaan minimoida kiinnittämällä puukappale tai vastaava työstökökappaleen molemmiin puoliin ja sahaamalla sitten tämän "kokoonpanon" läpi.

### Metallin sahaaminen

- ◆ Muista, että metallin sahaaminen kestää huomattavasti kauemmin kuin puun sahaaminen.
- ◆ Käytä metallin sahaamiseen sopivaa sahanterää.
- ◆ Kun sahaat ohutta metallilevyä, kiinnitä levyn taustapuolelle puukappale. Saha sitten tämän "kokoonpanon" läpi.
- ◆ Levitä ohut öljykerros sahausinjalle.

## Huolto

Black & Deckerin työkalu on suunniteltu toimimaan mahdollisimman pitkän aikaa mahdollisimman vähällä huollolla. Asianmukainen huolenpito ja säännöllinen puhdistus takaavat koneen jatkuvan tyydyttävän toiminnan.

**Varoitus!** Varmista ennen ylläpidon tai puhdistuksen suorittamista, että kone on pois päältä eikä sitä ole liitetty virtalähteeseen. Varmista lisäksi, että sahanterä on pysähtynyt.

- ◆ Puhdista koneen ja laturin ilma-aukot säännöllisesti pehmeällä harjalla tai kuivalla siivousliinalla.
- ◆ Puhdista työkalun kuori säännöllisesti kostealla siivousliinalla. Älä koskaan käytä puhdistamiseen liuotainaineita tai syövyttäviä puhdistusaineita. Älä päästä sen sisään nestettä äläkä koskaan upota sen mitään osaa nesteeseen.

## Ympäristö



Erillinen keräys. Tätä tuotetta ei saa hävittää normaalin kotitalousjätteen kanssa.

Kun Black & Decker -koneesi on käytetty loppuun, älä hävitä sitä kotitalousjätteen mukana. Tämä tuote on kerättävä erikseen.



Käytettyjen tuotteiden ja pakkausten erillinen keräys mahdollistaa materiaalien kierrätyksen ja uudelleenkäytön. Kierrätettyjen materiaalien uudelleenkäyttö auttaa ehkäisemään ympäristön saastumisen ja vähentää raaka-aineiden kysyntää.

Paikallisten säännösten mukaisesti on mahdollista viedä kotitalouksien sähkölaitteet kuntien kaatopaikoille tai jättää ne vähittäismyyjälle ostettaessa uusi tuote.

Black & Decker tarjoaa mahdollisuuden Black & Decker -tuotteiden keräykseen ja kierrätykseen sen jälkeen, kun ne on poistettu käytöstä. Jotta voisit hyötyä tästä palvelusta, palauta laitteesi johonkin valtuutettuun huoltoilikeeseen, joka kerää laitteet meidän puolestamme.

Voit tarkistaa lähimmän valtuutetun huoltoilikeen sijainnin ottamalla yhteyden Black & Deckerin toimistoon, joka sijaitsee tässä käsikirjassa annettussa osoitteessa. Lista valtuutetuista Black & Decker -huoltoilikeistä sekä yksityiskohtaiset tiedot korjauspalvelustamme ovat vaihtoehtoisesti saatavilla Internetissä, osoitteessa [www.2helpU.com](http://www.2helpU.com)

## Tekniset tiedot

AST8XC/KS700PE/KS701PE KS702PE/KS703PE	
Jännite	V <sub>AC</sub> 230
Ottoteho	W 480
Kuormittamaton nopeus	min <sup>-1</sup> 0-3.000
Suurin sahausvyvyys	
Puu	mm 60
Teräs	mm 5
Alumiini	mm 10
Paino	kg 1,9

## Äänenpainetaso mitattu EN 60745-standardin mukaisesti:

Äänenpaine (L<sub>pa</sub>) 86 dB(A), epävarmuus (K) 3 dB(A)

Akustinen teho (L<sub>WA</sub>) 97 dB(A), epävarmuus (K) 3 dB(A)

## Tärinän kokonaisarvot (kolmiaksi, vektorisumma) EN 60745:n mukaisesti:

Puun sahaus (a<sub>h,cw</sub>) 8,5 m/s<sup>2</sup>, epävarmuus (K) 2,4 m/s<sup>2</sup>

Metallin sahaus (a<sub>h,cw</sub>) 9,4 m/s<sup>2</sup>, epävarmuus (K) 3,3 m/s<sup>2</sup>

## EU-vaatimustenmukaisuusvakuutus

KONEDIREKTIIVI



AST8XC/KS700PE/KS701PE/KS702PE/KS703PE

Balck & Decker julistaa, että kohdassa "tekniset tiedot" kuvatut tuotteet noudattavat seuraavia:

98/37/EY (28 Jouluk., 2009 asti), 2006/42/EY

(29 Jouluk., 2009 alkaen), EN 60745-1, EN 60745-2-11

Lisätietoja saa Black & Decker -yhtiöltä seuraavasta osoitteesta tai käyttöoppaan takana olevia yhteistietoja käyttäen.

Allekirjoittava henkilö on vastuussa teknisen tiedoston täyttämisestä ja tekee tämän ilmoituksen Black & Decker -yhtiön puolesta.

Kevin Hewitt

Vice-President Global Engineering  
Black & Decker Europe, 210 Bath Road, Slough,  
Berkshire, SL1 3YD  
Iso-Britannia  
1-10-2009

## Korjaukset / varaosat

Mikäli koneeseen tulee vikaa, jätä se aina Black & Deckerin valtuuttamaan huoltoliikkeeseen korjattavaksi. Varaosia myyvät valtuutetut Black & Deckerin huoltoliikkeet, ja heiltä voi myös pyytää kustannusarvion koneen korjauksesta.

Tiedot valtuutetuista huoltoliikkeistä löytyvät internetistä osoitteesta [www.2helpU.com](http://www.2helpU.com) sekä kotisivuiltamme [www.blackanddecker.fi](http://www.blackanddecker.fi)

## Takuu

Black & Decker Oy takaa, ettei koneessa ollut materiaali- ja/tai valmistusvikaa silloin, kun se toimitettiin ostajalle. Takuu on lisäys kuluttajan laillisiin oikeuksiin eikä vaikuta niihin. Takuu on voimassa Euroopan Unionin jäsenmaissa ja Euroopan vapaakauppa-alueella (EFTA).

Mikäli Black & Decker -kone hajoaa materiaali- ja/tai valmistusvirheen tai teknisten tietojen epätarkkuuden vuoksi 24 kk:n kuluessa ostopäivästä, Black & Decker korjaa koneen ilman kustannuksia ostajalle tai vaihtaa sen uuteen Black & Decker Oy:n valinnan mukaan.

Takuu ei kata vikoja, jotka johtuvat koneen

- ◆ normaalista kulumisesta
- ◆ ylikuormituksesta, virheellisestä käytöstä tai hoidosta
- ◆ vahingoittamisesta vieraalla esineellä tai aineella tai onnettomuustapauksessa.

Takuu ei ole voimassa, mikäli konetta on korjannut joku muu kuin Black & Deckerin valtuuttama huoltoliike.

Edellytyksenä takuun saamiselle on, että ostaja jättää koneen ja ostokuitin jälleenmyyjälle tai valtuutetulle huoltoliikkeelle viimeistään 2 kuukauden kuluessa vian ilmenemisestä.

Tiedot valtuutetuista huoltoliikkeistä saa ottamalla yhteyttä Black & Decker Oy:hyn sekä internetistä osoitteesta [www.2helpU.com](http://www.2helpU.com), jossa on myös takuehdot.

Voit vierailla verkkosivullamme [www.blackanddecker.fi](http://www.blackanddecker.fi) rekisteröidäksesi uuden Black & Decker-tuotteesi ja saadaksesi tietoa uusista tuotteista ja erikoistarjouksista. Saat lisätietoja Black & Deckerin tavaramerkistä ja tuotevalikoimastamme osoitteesta [www.blackanddecker.fi](http://www.blackanddecker.fi)



## Ενδεδειγμένη χρήση

Η σέγα της Black & Decker έχει σχεδιαστεί για πριόνισμα ξύλου, πλαστικών και λαμαρίνας. Αυτό το εργαλείο προορίζεται μόνο για ερασιτεχνική χρήση.

## Οδηγίες ασφαλείας

### Γενικές προειδοποιήσεις ασφαλείας για ηλεκτρικά εργαλεία



**Προσοχή!** Διαβάστε όλες τις προειδοποιήσεις ασφαλείας και όλες τις οδηγίες. Η μη τήρηση των παρακάτω προειδοποιήσεων και οδηγιών μπορεί να προκαλέσει ηλεκτροπληξία, πυρκαγιά ή/και σοβαρούς τραυματισμούς.

**Αποθηκεύστε όλες τις προειδοποιήσεις και οδηγίες για μελλοντική αναφορά.** Ο χαρακτηρισμός "ηλεκτρικό εργαλείο" που χρησιμοποιείται στις παρακάτω προειδοποιητικές υποδείξεις αφορά ή το εργαλείο που συνδέεται στην πρίζα (με καλώδιο) ή το εργαλείο που λειτουργεί με μπαταρία (χωρίς καλώδιο).

#### 1. Ασφάλεια χώρου εργασίας

- a. **Διατηρείτε το χώρο που εργάζεστε καθαρό και καλά φωτισμένο.** Η αταξία στο χώρο που εργάζεστε και τα σημεία χωρίς καλό φωτισμό μπορεί να οδηγήσουν σε ατυχήματα.
- b. **Μη χρησιμοποιείτε τα ηλεκτρικά εργαλεία σε περιβάλλον όπου υπάρχει κίνδυνος έκρηξης, π.χ. παρουσία εύφλεκτων υγρών, αερίων ή σκόνης.** Τα ηλεκτρικά εργαλεία μπορεί να δημιουργήσουν σπινθηρισμό ο οποίος μπορεί να αναφλέξει τη σκόνη ή τις αναθυμιάσεις.
- c. **Όταν χρησιμοποιείτε το ηλεκτρικό εργαλείο, κρατάτε τα παιδιά και τα υπόλοιπα άτομα μακριά από το χώρο που εργάζεστε.** Σε περίπτωση που άλλα άτομα αποσπάσουν την προσοχή σας μπορεί να χάσετε τον έλεγχο του μηχανήματος.

#### 2. Ασφαλής χρήση του ηλεκτρικού ρεύματος

- a. **Το φως του καλωδίου του ηλεκτρικού εργαλείου πρέπει να ταυριάζει στην αντίστοιχη πρίζα.** Δεν επιτρέπεται με κανένα τρόπο η μετασκευή του φως. Μη χρησιμοποιείτε προσαρμοστικά φως στα γειωμένα ηλεκτρικά εργαλεία. Τα φως που δεν έχουν υποστεί τροποποιήσεις και οι κατάλληλες πρίζες μειώνουν τον κίνδυνο ηλεκτροπληξίας.
- b. **Αποφεύγετε την επαφή του σώματός σας με γειωμένες επιφάνειες όπως σωλήνες, θερμαντικά σώματα (καλοριφέρ), κουζίνες και ψυγεία.** Όταν το σώμα σας είναι γειωμένο, αυξάνεται ο κίνδυνος ηλεκτροπληξίας.

- c. **Μην εκθέτετε το ηλεκτρικό εργαλείο στη βροχή ή την υγρασία.** Η διείσδυση νερού στο ηλεκτρικό εργαλείο αυξάνει τον κίνδυνο ηλεκτροπληξίας.
- d. **Μην κακομεταχειρίζεστε το καλώδιο.** Μη χρησιμοποιήσετε ποτέ το καλώδιο για να μεταφέρετε, να τραβήξετε ή να αποσυνδέσετε το εργαλείο από την πρίζα. Κρατάτε το καλώδιο μακριά από υψηλές θερμοκρασίες, λάδια, κοφτερές ακμές ή κινούμενα εξαρτήματα. Τυχόν χαλασμένα ή μπερδεμένα καλώδια αυξάνουν τον κίνδυνο ηλεκτροπληξίας.
- e. **Όταν χρησιμοποιείτε το ηλεκτρικό εργαλείο σε εξωτερικούς χώρους, να χρησιμοποιείτε πάντοτε προεκτάσεις (μπαλαντζές) που έχουν εγκριθεί για χρήση σε εξωτερικούς χώρους.** Η χρήση προεκτάσεων εγκεκριμένων για εργασία σε εξωτερικούς χώρους μειώνει τον κίνδυνο ηλεκτροπληξίας.
- f. **Αν η χρήση του εργαλείου σε μια βρεγμένη περιοχή δεν είναι απόφευκτη, χρησιμοποιήστε μια συσκευή κατάλοιπου ρεύματος (RCD) προστατευόμενης παροχής.** Η χρήση μιας RCD μειώνει τον κίνδυνο ηλεκτροπληξίας.

#### 3. Ασφάλεια προσώπων

- a. **Όταν χρησιμοποιείτε το ηλεκτρικό εργαλείο, να είστε προσεκτικοί, να δίνετε προσοχή στην εργασία που κάνετε και να επιστρατεύετε την κοινή λογική.** Μη χρησιμοποιείτε το ηλεκτρικό εργαλείο όταν είστε κουρασμένοι ή όταν βρίσκεστε υπό την επίρρεια ναρκωτικών, οινοπνεύματος ή φαρμάκων. Μια στιγμήα απροσεξία κατά το χειρισμό του ηλεκτρικού εργαλείου μπορεί να οδηγήσει σε σοβαρούς τραυματισμούς.
- b. **Χρησιμοποιήστε προσωπικό εξοπλισμό τραυματισμού. Να φοράτε πάντα προστατευτικά γυαλιά.** Ο προστατευτικός εξοπλισμός όπως μάσκα σκόνης, υποδήματα ασφαλείας κατά το γλίστρημα, σκληρό καπέλο, ή προστασία ακοής για τις κατάλληλες συνθήκες θα μειώσουν τους σωματικούς τραυματισμούς.
- c. **Να αποφύγετε την εκκίνηση κατά λάθος.** Επιβεβαιωθείτε ότι ο διακόπτης είναι στην θέση off πριν συνδέετε την παροχή ρεύματος και/ή τη μπαταρία, πριν πάστε ή μεταφέρετε το εργαλείο. Η μεταφορά εργαλείων με το δάχτυλο στον διακόπτη ή η ενεργοποίηση εργαλείων με τον διακόπτη στη θέση on μπορεί να οδηγήσει σε ατυχήματα.
- d. **Πριν θέσετε το ηλεκτρικό εργαλείο σε λειτουργία, αφαιρέστε τυχόν εργαλεία ή κλειδιά ρύθμισης.** Ενα εργαλείο ή κλειδί συναρμολογημένο στο περιστρεφόμενο εξάρτημα ενός ηλεκτρικού εργαλείου μπορεί να προκαλέσει τραυματισμούς.

- e. Μην τεντώνεστε. Φροντίστε πάντοτε να έχετε την κατάλληλη στάση και να διατηρείτε την ισορροπία σας. Αυτό σας επιτρέπει τον καλύτερο έλεγχο του ηλεκτρικού εργαλείου σε περιπτώσεις απροσδόκητων καταστάσεων.
- f. Φοράτε κατάλληλη ενδυμασία εργασίας. Μη φοράτε φαρδιά ρούχα ή κοσμήματα. Κρατάτε τα μαλλιά, τα ενδύματα και τα γάντια σας μακριά από τα κινούμενα εξαρτήματα. Τα φαρδιά ρούχα, τα κοσμήματα και τα μακριά μαλλιά μπορεί να εμπλακούν στα κινούμενα εξαρτήματα.
- g. Αν προβλέπονται διατάξεις απαγωγής και συλλογής της σκόνης, βεβαιωθείτε ότι είναι συνδεδεμένες και ότι χρησιμοποιούνται σωστά. Η χρήση της συλλογής της σκόνης μπορεί να μειώσει τους κινδύνους σχετικά με τη σκόνη.
4. Χρήση και συντήρηση του ηλεκτρικού εργαλείου
- a. Μην υπερφορτώνετε το ηλεκτρικό εργαλείο. Χρησιμοποιείτε για την εκάστοτε εργασία σας το ηλεκτρικό εργαλείο που προορίζεται γι' αυτήν. Με το κατάλληλο ηλεκτρικό εργαλείο εργάζεσθε καλύτερα και ασφαλέστερα στην ονομαστική περιοχή ισχύος του.
- b. Μη χρησιμοποιήσετε ποτέ ένα ηλεκτρικό εργαλείο του οποίου ο διακόπτης λειτουργίας είναι χαλασμένος. Ένα ηλεκτρικό εργαλείο του οποίου η λειτουργία δεν μπορεί να ελεγχθεί με το διακόπτη είναι επικίνδυνο και πρέπει να επισκευαστεί.
- c. Αποσυνδέστε το βύσμα από τη πυγνή ρεύματος και/ή το συγκρότημα μπαταρίας πριν κάνετε κάποια ρύθμιση, αλλάζετε τα αξεσουάρ, ή αποθηκεύετε τα ηλεκτρικά εργαλεία. Αυτά τα προληπτικά μέτρα ασφαλείας μειώνουν τον κίνδυνο να τεθεί το μηχάνημα αθέλητα σε λειτουργία.
- d. Να φυλάτε τα ηλεκτρικά εργαλεία που δεν χρησιμοποιείτε μακριά από παιδιά. Μην αφήνετε άτομα που δεν είναι εξοικειωμένα με το ηλεκτρικό εργαλείο ή που δεν έχουν διαβάσει αυτές τις οδηγίες χρήσης να το χρησιμοποιήσουν. Τα ηλεκτρικά εργαλεία είναι επικίνδυνα όταν χρησιμοποιούνται από άπειρα άτομα.
- e. Να συντηρείτε τα ηλεκτρικά εργαλεία. Ελέγξτε εάν τα κινούμενα μέρη είναι σωστά ευθυγραμμισμένα ή αν έχουν μπλοκάρει, εάν έχουν σπάσει κομμάτια και εάν πληρούνται όλες οι υπόλοιπες συνθήκες που ενδεχομένως να επηρεάσουν τη σωστή λειτουργία του εργαλείου. Δώστε τυχόν χαλασμένα εξαρτήματα του ηλεκτρικού εργαλείου για επισκευή πριν το χρησιμοποιήσετε πάλι. Η ανεπαρκής συντήρηση των ηλεκτρικών εργαλείων αποτελεί αιτία πολλών ατυχημάτων.

- f. Διατηρείτε τα κοπτικά εργαλεία κοφτερά και καθαρά. Τα κοπτικά εργαλεία με αιχμηρά κοπτικά άκρα που συντηρούνται σωστά έχουν λιγότερες πιθανότητες να μπλοκάρουν και ελέγχονται ευκολότερα.
- g. Να χρησιμοποιείτε το ηλεκτρικό εργαλείο, τα εξαρτήματα και τις μύτες κλπ σύμφωνα με αυτές τις οδηγίες, λαμβάνοντας υπόψη τις καταστάσεις εργασίας και την εργασία προς εκτέλεση. Η χρήση του ηλεκτρικού εργαλείου για άλλες εκτός από τις προβλεπόμενες εργασίες μπορεί να δημιουργήσει επικίνδυνες καταστάσεις.
5. Σέρβις
- a. Το σέρβις του ηλεκτρικού σας εργαλείου πρέπει να αναλαμβάνει έμπειρος τεχνικός που θα χρησιμοποιεί μόνο γνήσια ανταλλακτικά. Έτσι εξασφαλίζεται η διατήρηση της ασφάλειας του ηλεκτρικού εργαλείου.

### Συμπληρωματικές προειδοποιήσεις ασφαλείας για ηλεκτρικά εργαλεία



**Προειδοποίηση!** Πρόσθετες προειδοποιήσεις ασφαλείας για σέγες και σεγάτσες

- ◆ Πιάνετε το μηχάνημα μόνο από τις μονωμένες επιφάνειές του όταν κατά την εργασία σας υπάρχει κίνδυνος το εργαλείο κοπής να "χτυπήσει" ηλεκτρικές γραμμές ή το ηλεκτρικό καλώδιο του ίδιου του μηχανήματος. Το αξεσουάρ κοπής σε επαφή με μια υπό τάση ευρισκόμενη ηλεκτρική γραμμή μπορεί να θέτουν επίσης και τα μεταλλικά τμήματα του μηχανήματος υπό τάση κι έτσι μπορεί να οδηγήσει σε ηλεκτροπληξία.
- ◆ Χρησιμοποιήστε σφιγκτήρες ή κάποιο άλλο πρακτικό μέσο για να ασφαλίστε και στηρίξετε το τεμάχιο εργασίας σε μια σταθερή επιφάνεια. Το κράτημα με το χέρι ή με το σώμα σας το κάνει ασταθές και μπορεί να οδηγήσει στο χάσιμο έλεγχου.
- ◆ Κρατήστε τα χέρια μακριά από την περιοχή κοπής. Μην προσπαθήσετε ποτέ να φτάσετε κάτω από το τεμάχιο εργασίας για οποιαδήποτε λόγο. Μην έχετε τα δάκτυλα ή τον αντίχειρα κοντά στη λεπίδα σεγάτσας και σφιγκτήρα λεπίδας. Μην σταθεροποιήστε το πριόνι πιάνοντας το πέλμα.
- ◆ Κρατήστε τις λεπίδες αιχμηρές. Μη αιχμηρές ή χαλασμένες λεπίδες μπορεί να φέρουν ως αποτέλεσμα το στράβωμα ή στολάρισμα κάτω από πίεση. Να χρησιμοποιείτε πάντα τον ενδελεχμένο τύπο πριονόλαμας για το συγκεκριμένο τεμάχιο εργασίας και για το είδος της κοπής.
- ◆ Κατά τη κοπή σωλήνων ή αγωγών, βεβαιωθείτε ότι δεν υπάρχει νερό, ηλεκτρικά καλώδια κλπ.
- ◆ Μην ακουμπάτε το τεμάχιο εργασίας ή τη λεπίδα αμέσως μετά τη λειτουργία εργαλείου. Μπορεί να υπερθερμανθούν.

- ◆ Προσέξτε τους κρυμμένους κινδύνους πριν από τη κοπή τοίχων, δαπέδων ή οροφών, εντοπίστε τις θέσεις όπου βρίσκονται καλώδια και σωληνώσεις.
- ◆ Η λεπίδα θα συνεχίζει να περιστρέφεται μετά την απελευθέρωση του διακόπτη. Να σβήνετε πάντα το εργαλείο και να περιμένετε να σταματήσει η προιονόλαμα τελείως πριν ακουμπήσετε το εργαλείο κάτω.

**Προειδοποίηση!** Η επαφή με την σκόνη που σηκώνεται από τις εφαρμογές λείανσης ή η εισπνοή της μπορεί να βάλει σε κίνδυνο τη ζωή του χειριστή και των πιθανών παρευρισκόμενων. Φορέστε μάσκα σκόνης ειδικά σχεδιασμένη για προστασία έναντι της σκόνης και των αναθυμιάσεων από χρώματα με μόλυβδο και βεβαιωθείτε ότι τα άτομα που βρίσκονται, ή εισέρχονται, στο χώρο εργασίας είναι επίσης προστατευμένα.

- ◆ Αυτό το εργαλείο δεν προορίζεται για χρήση από άτομα (συμπεριλαμβανόντας και τα παιδιά) με ελαττωμένες φυσικές, αισθητήριες και ψυχικές δυνατότητες, ή έλλειψη εμπειρίας και γνώσης, εκτός αν υπάρχει επιτήρηση ή οδηγίες για τη χρήση της συσκευής από έναν υπεύθυνο άτομο για την ασφάλεια τους. Τα παιδιά πρέπει να επιτηρηθούν για να βεβαιωθείτε ότι δεν παίζουν με το εργαλείο.
- ◆ Η ενδοδειγμένη χρησιμοποίηση αναφέρεται σε αυτές τις οδηγίες χρήσεως. Τόσο η χρήση εξαρτημάτων ή προσθηκών όσο και η πραγματοποίηση εργασιών που δεν συνηθίζονται στις οδηγίες αυτές εγκυμονεί κίνδυνο τραυματισμού και/η περιουσίας.

## Δόνηση

Οι δηλωμένες τιμές εκπομπής δόνησης στον τομέα τεχνικών χαρακτηριστικών και στη δήλωση συμμόρφωσης έχουν μετρηθεί σύμφωνα με μια πρότυπη μέθοδος δοκιμής παρεχόμενη από το EN 60745 και μπορεί να χρησιμοποιηθεί για την σύγκριση ενός εργαλείου με ένα άλλο. Η δηλωμένη τιμή εκπομπής δόνησης μπορεί να χρησιμοποιηθεί επίσης σε μια προκαταρκτική εκτίμηση έκθεσης.

**Προσοχή!** Η τιμή εκπομπής δόνησης κατά τη παρόν χρήση του ηλεκτρικού εργαλείου μπορεί να διαφέρει από τη δηλωμένη τιμή αναλόγως με τον τρόπο που χρησιμοποιείται το εργαλείο. Το επίπεδο δόνησης μπορεί να αυξηθεί πάνω από το δηλωμένο επίπεδο.

Κατά την εκτίμηση έκθεσης στη δόνηση για να αποφασιστούν τα μέτρα ασφαλείας που απαιτούνται από το 2002/44/EK για την προστασία ατόμων που χρησιμοποιούν τακτικά το εργαλείο, πρέπει να ληφθεί υπόψη μια εκτίμηση έκθεσης δόνησης, οι παρόν καταστάσεις χρήσης και ο τροφός χρήσης εργαλείου, συμπεριλαμβανόντας όλα τα μερί του κύκλου εργασίας όπως πόσες φορές σβήνεται το εργαλείο και όταν δουλεύει χωρίς φορτίο πρόσθετα πόσες φορές πατιέται η σκανδάλη.

## Ετικέτες επάνω στο εργαλείο

Πάνω στο εργαλείο υπάρχουν οι εξής σχηματικές αποικονισίες:



**Προσοχή!** Για να μειώσετε τον κίνδυνο τραυματισμού, ο χρήστης πρέπει να διαβάσει το εγχειρίδιο οδηγιών.

## Ασφαλής χρήση του ηλεκτρικού ρεύματος



Αυτό το εργαλείο φέρει διπλή μόνωση, επομένως δεν απαιτείται σύρμα γείωσης. Ελέγχετε πάντοτε αν η τάση τροφοδοσίας αντιστοιχεί σε αυτήν που αναγράφεται στην πινακίδα στοιχείων του εργαλείου.

- ◆ Αν το καλώδιο ρεύματος έχει υποστεί βλάβη, πρέπει να αντικατασταθεί από τον κατασκευαστή ή από εξουσιοδοτημένο Κέντρο Επισκευών Black & Decker ώστε να αποφύγετε τους κινδύνους.

## Χαρακτηριστικά

Το εργαλείο διαθέτει όλα ή ορισμένα από τα εξής χαρακτηριστικά:

1. Διακόπτης on/off
2. Πλήκτρο ασφάλισης
3. Έξοδος σκόνης
4. Πλάκα πέλματος
5. Κύλινδρος στήριξης προιονόλαμας
6. Επιλογέας εκκρεμές χτυπήματος

## Εικ. C

7. Ντουλαπάκι φύλαξης προιονόλαμας (KS702PE & KS703PE)

## Συναρμολόγηση

**Προειδοποίηση!** Πριν από οποιαδήποτε από τις παρακάτω διαδικασίες, βεβαιωθείτε ότι το εργαλείο είναι εκτός λειτουργίας και ότι δεν είναι στην πρίζα, καθώς και ότι η προιονόλαμα είναι σταματημένη. Οι χρησιμοποιημένες προιονόλαμας μπορεί να είναι ζεστές.

## Τοποθέτηση και αφαίρεση της προιονόλαμας (εικ. A)

- ◆ Χαλαρώστε (μην αφαιρέτε) τις δυο βίδες (11).
- ◆ Κρατήστε τη προιονόλαμα (8) με τα δόντια στραμμένα προς τα εμπρός.
- ◆ Τοποθετήστε το στέλεχος της προιονόλαμας (8) στην υποδοχή της λεπίδας (10) όσο πιο πολύ γίνεται.
- ◆ Σφίξτε ελαφριά τις δυο βίδες (11) εναλλάξ για να τοποθετήσετε την προιονόλαμα, και στη συνέχεια σφίξτε ολοκληρωτικά τις δυο βίδες (11).
- ◆ Για να αφαιρέτε την προιονόλαμα (8), στρέψτε και τις δυο βίδες (11) μια φορά αριστερόστροφα.

## Προσάρτηση ηλεκτρικής σκούπας στο εργαλείο (εικ. Β)

Απαιτείται προσαρμογέας (12) για τη σύνδεση της ηλεκτρικής σκούπας ή της συσκευής απομάκρυνσης σκόνης στο εργαλείο. Μπορείτε να προμηθευτείτε τον προσαρμογέα από κάποιο εξουσιοδοτημένο κατάστημα Black & Decker.

- ◆ Τοποθετήστε τον προσαρμογέα (12) στην έξοδο σκόνης (3).
- ◆ Συνδέστε το σωλήνα της ηλεκτρικής σκούπας (13) στον προσαρμογέα (12).

## Αποθήκευση πριονόλαμας (KS702PE & KS703PE μονο) (εικ. C)

Οι πριονόλαμες (8) μπορούν να αποθηκευτούν στο ντουλαπάκι φύλαξης (7) που βρίσκεται στη πλευρά του εργαλείου.

- ◆ Ανοίξτε το κάλυμμα του ντουλαπιού φύλαξης πριονόλαμων (7) κρατώντας τη γλωσσίδα στο πάνω μέρος της θύρας και τραβώντας προς τα πίσω.
- ◆ Αφαιρέστε ή τοποθετήστε τις πριονόλαμες (8) στο ντουλαπάκι φύλαξης (7).
- ◆ Κλείστε το κάλυμμα του ντουλαπιού φύλαξης πριονόλαμων (7) και βεβαιωθείτε ότι έχει κλείσει καλά.

## Εμφύσηση γραμμής κοπής (εικ. D)

- ◆ Για να βοηθήσει την ορατότητα κατά τη κοπή, η σέγα σας διαθέτει ένα σύστημα εμφύσησης γραμμής κοπής (14) το οποίο κρατάει τον χώρο εργασίας καθαρό από σκόνη κατά την διάρκεια κοπής.

## Αναπόφευκτοι κίνδυνοι.

Μπορεί να προκληθούν επιπρόσθετοι αναπόφευκτοι κίνδυνοι όταν χρησιμοποιείτε το εργαλείο οι οποίοι μπορεί να μη συμπεριλαμβάνονται στις προειδοποιήσεις ασφαλείας που εσωκλείονται. Αυτοί οι κίνδυνοι μπορεί να προκληθούν από κακή χρήση, παρατεταμένη χρήση κτλ.

Ακόμα και με την τήρηση των σχετικών κανονισμών ασφαλείας και τη χρήση μέσων προστασίας, ορισμένοι κίνδυνοι δεν είναι δυνατό να εξαλειφθούν. Αυτοί περιλαμβάνουν:

- ◆ Τραυματισμούς από το άγγιγμα των περιστρεφόμενων/κινούμενων μερών.
- ◆ Τραυματισμούς από αλλαγή οποιωνδήποτε εξαρτημάτων, λεπίδων ή αξεσουάρ.
- ◆ Τραυματισμούς από παρατεταμένη χρήση του εργαλείου. Όταν χρησιμοποιείτε οποιοδήποτε εργαλείο για παρατεταμένες χρονικές περιόδους βεβαιωθείτε ότι κάνετε τακτικά διαλείμματα.
- ◆ Προβλήματα ακοής.
- ◆ Κίνδυνοι στην υγεία που προκαλούνται από την εισπνοή σκόνης όταν χρησιμοποιείτε το εργαλείο (παράδειγμα:- όταν επεξεργάζεστε ξύλο, ειδικά δρυς, οξιά και MDF.)

## Χρήση

### Ρύθμιση της πλάκας πέλματος για κοπή φαλτσογωνιάς (εικ. Ε)

Η πλάκα πέλματος (4) μπορεί να ρυθμιστεί να κάνει είτε μια ευθεία κοπή είτε αριστερή ή δεξιά φαλτσογωνιά σε μια γωνία 45°.

- ◆ Χαλαρώστε τις βίδες (9).
- ◆ Τραβήξτε μπροστά την πλάκα πέλματος (4), περιστρέψτε την στο κεντρο και στρώστε την πίσω στη θέση 45°.
- ◆ Σφίξτε τις βίδες (9).

Για να επανατοποθετήσετε την πλάκα πέλματος για ευθεία κοπή:

- ◆ Χαλαρώστε τις βίδες (9).
- ◆ Τραβήξτε μπροστά την πλάκα πέλματος (4), περιστρέψτε την στο κεντρο και στρώστε την πίσω στη θέση 0°.
- ◆ Σφίξτε τις βίδες (9).

### Ρύθμιση του εκκρεμές χτυπήματος (εικ. F)

- ◆ Ρυθμίστε τον επιλογέα του εκκρεμές χτυπήματος (6) στην επιθυμητή θέση.
  - Θέση 0: μέταλλα και αλουμίνιο και λαμαρίνες.
  - Θέση I: για λαμινέ, σκληρό ξύλο, εργασίες κορυφής.
  - Θέση II: για κόντρα πλακέ και PVC/πλαστικά.
  - Θέση III: για μαλακό ξύλο και γρήγορη κοπή.

## Έλεγχος μεταβλητής ταχύτητας

Το εργαλείο έχει ένα διακόπτη on/off μεταβλητής ταχύτητας (1). Η ταχύτητα λειτουργίας εξαρτάται από το βαθμό που θα πατήσετε το διακόπτη.

- ◆ Χρησιμοποιήστε υψηλή ταχύτητα για χρήση σε ξύλο, μέση ταχύτητα για χρήση σε αλουμίνιο, και PVC και χαμηλή ταχύτητα για χρήση σε μέταλλα πλην του αλουμινίου.

## Θέση εντός και εκτός λειτουργίας

- ◆ Για να θέσετε σε λειτουργία το εργαλείο, πατήστε το διακόπτη on/off (1).
- ◆ Για να σβήσετε το εργαλείο, αφήστε το διακόπτη ενεργοποίησης/απενεργοποίησης (1).
- ◆ Για διαρκή λειτουργία, πατήστε το κουμπί ασφαλίσης (2) και απελευθερώστε τον διακόπτη on/off (1).
- ◆ Για να σβήσετε το εργαλείο όταν βρίσκεται σε κατάσταση συνεχόμενης λειτουργίας, πατήστε και αφήστε το διακόπτη λειτουργίας on/off (1).

## Πριόνισμα

- ◆ Κρατήστε το εργαλείο καλά με τα δυο χέρια κατά την κοπή.
- ◆ Το πέλμα πρέπει να κρατιέται σταθερά κατά τον υλικό που κόβεται. Αυτό βοηθάει στη αποτροπή πηδήματος της σέγας, μειώνει τις δόνησης και τα σπασίματα λεπίδων.

- ◆ Αφήστε το δίσκο να κινηθεί ελεύθερα για μερικά δευτερόλεπτα πριν αρχίσετε το πριόνισμα.
- ◆ Ασκήστε μόνο ελαφρά πίεση πάνω στο εργαλείο ενώ εκτελείτε το πριόνισμα.

## Διάθεση εργαλείων και περιβάλλον



Ξεχωριστή συλλογή. Αυτό το προϊόν δεν πρέπει να απορριφθεί με συνηθισμένα σπιτικά απορρίμματα.

Εάν κάποια μέρα διαπιστώσετε ότι το προϊόν σας Black & Decker χρειάζεται αντικατάσταση ή δεν σας χρησιμεύει πλέον, μην το απορρίψετε με τα σπιτικά απορρίμματα. Κάντε αυτό το προϊόν διαθέσιμο για ξεχωριστή συλλογή.



Η ξεχωριστή συλλογή χρησιμοποιημένων προϊόντων και συσκευασιών επιτρέπει την ανακύκλωση υλικών. Η επανάχρηση ανακυκλωμένων υλικών βοηθάει την προστασία του περιβάλλον και μειώνει την ζήτηση για σπάνια υλικά.

Οι τοπικοί κανονισμοί μπορεί να παρέχουν ξεχωριστή συλλογή ηλεκτρικών προϊόντων από κατοικίες, δημοτικές τοποθεσίες απορριμμάτων ή από τον έμπορα όταν αγοράσατε το καινούργιο προϊόν.

Η Black & Decker δίνει τη δυνατότητα συλλογής και ανακύκλωσης των προϊόντων της που έχουν συμπληρώσει τη διάρκεια ζωής τους. Αν θέλετε να χρησιμοποιήσετε την εν λόγω υπηρεσία, επιστρέψτε το προϊόν σας σε οποιοδήποτε εξουσιοδοτημένο κέντρο επισκευών, όπου θα το παραλάβουν εκ μέρους σας.

Ενημερωθείτε για το πλησιέστερο κέντρο επισκευών της περιοχής σας, επικοινωνώντας με τα γραφεία της Black & Decker στη διεύθυνση που αναγράφεται στο εγχειρίδιο. Επίσης, για να πληροφορηθείτε τα εξουσιοδοτημένα κέντρα επισκευών της Black & Decker που παρέχονται μετά την πώληση, μπορείτε ανατρέξετε στο Διαδίκτυο στη διεύθυνση: [www.2helpU.com](http://www.2helpU.com)

## Συμβουλές για άριστη χρήση

### Πριόνισμα επιφανειών λαμινέ

Κατά την διάρκεια κοπής επενδυμένων επιφανειών, ενδέχεται να δημιουργηθούν σχίζες που καταστρέφουν την επιφάνεια. Οι συνηθισμένες πριονόλαμες κόβουν προς τα πάνω, οπότε αν ή πλάκα πέλματος κάθεται στην επιφάνεια είτε χρησιμοποιήστε μια πριονόλαμα που κόβει προς τα κάτω είτε:

- ◆ Να χρησιμοποιείτε λεπίδα με κοφτερά δόντια.
- ◆ Να πριονίζετε από την πίσω μεριά της επιφάνειας του τεμαχίου εργασίας.
- ◆ Για να μειώσετε στο ελάχιστο τη δημιουργία σχιζών, στερεώστε ένα κομμάτι ξύλο ή κοντραπλακέ και στις δύο πλευρές του τεμαχίου εργασίας και πριονίστε το όλο μαζί.

### Πριόνισμα μετάλλου

- ◆ Λάβετε υπόψη ότι το πριόνισμα μετάλλου απαιτεί περισσότερο χρόνο από ότι το πριόνισμα ξύλου.
- ◆ Να χρησιμοποιείτε λεπίδα κατάλληλη για πριόνισμα μετάλλου.
- ◆ Όταν πριονίζετε λεπτή λαμαρίνα, στερεώστε ένα κομμάτι ξύλο στην πίσω επιφάνεια του τεμαχίου εργασίας και πριονίστε το όλο μαζί.
- ◆ Απλώστε ένα λεπτό στρώμα λαδιού κατά μήκος της γραμμής κοπής.

## Συντήρηση

Αυτό το εργαλείο της Black & Decker έχει σχεδιαστεί έτσι ώστε να λειτουργεί για μεγάλο χρονικό διάστημα με την ελάχιστη δυνατή φροντίδα. Η αδιάλειπτη και ικανοποιητική λειτουργία εξαρτάται από τη φροντίδα και τον τακτικό καθαρισμό της.

**Προειδοποίηση!** Πριν εκτελέσετε οποιαδήποτε εργασία συντήρησης ή συναρμολόγησης, βεβαιωθείτε ότι το εργαλείο είναι σβησμένο και εκτός πρίζας και ότι η πριονόλαμα έχει σταματήσει.

- ◆ Καθαρίζετε τακτικά τις οπές εξαερισμού του εργαλείου σας και του φορτιστή με μαλακή βούρτσα ή με στεγνό πανί.
- ◆ Να καθαρίζετε τακτικά το περίβλημα του μοτέρ χρησιμοποιώντας ένα υγρό πανί. Μη χρησιμοποιείτε αποξεστικά καθαριστικά ή υγρά καθαρισμού που περιέχουν διαλύτες. Ποτέ μην αφήνετε οποιοδήποτε υγρό να μπει στο εσωτερικό του εργαλείου και ποτέ μην εμβαπτίζετε οποιοδήποτε μέρος του εργαλείου σε υγρό

## Τεχνικά χαρακτηριστικά

		AST8XC/KS700PE/KS701PE
		KS702PE/KS703PE
Τάση	$V_{AC}$	230
Ισχύς εισόδου	W	480
Ταχύτητα άφορτου κίνησης	$min^{-1}$	0-3.000
Μέγιστο βάθος κοπής		
Ξύλο	mm	60
Χάλυβας	mm	5
Αλουμίνιο	mm	10
Βάρος	kg	1,9

## Στάθμη πίεσης ήχου σύμφωνα με το πρότυπο EN 60745:

Πίεση ήχου ( $L_{pA}$ ) 86 dB(A), αβεβαιότητα (K) 3 dB(A)  
 Ακουστική ισχύς ( $L_{WA}$ ) 97 dB(A), αβεβαιότητα (K) 3 dB(A)

## Τιμές συνολικής δόνησης (άθροισμα τριαξονικών ανυσμάτων) αποφασισμένο σύμφωνα με EN 60745:

Κοπή ξύλου ( $a_{h,conv}$ ) 8.5  $m/s^2$ , αβεβαιότητα (K) 2.4  $m/s^2$   
 Κοπή μετάλλου ( $a_{h,met}$ ) 9.4  $m/s^2$ , αβεβαιότητα (K) 3.3  $m/s^2$

## Δήλωση συμμόρφωσης με την Ευρωπαϊκή Κοινότητα

ΟΔΗΓΙΑ ΠΕΡΙ ΜΗΧΑΝΗΜΑΤΩΝ



AST8XC/KS700PE/KS701PE/KS702PE/KS703PE

H Black & Decker δηλώνει ότι αυτά τα προϊόντα που περιγράφονται στον τομέα "τεχνικά χαρακτηριστικά" είναι σε συμμόρφωση με:

98/37/EK (μέχρι 28 Δεκ. 2009), 2006/42/EK  
 (από 29 Δεκ. 2009), EN 60745-1, EN 60745-2-11

Για περισσότερες πληροφορίες, επικοινωνήστε με τη Black & Decker στη διεύθυνση που ακολουθεί ή στο πίσω μέρος του εγχειριδίου.

Ο υπογεγραμμένος είναι υπεύθυνος για τη σύνταξη του τεχνικού αρχείου και κάνει την παρών δήλωση εκ μέρους της Black & Decker.

Kevin Hewitt

Vice-President Global Engineering  
 Black & Decker Europe, 210 Bath Road, Slough,  
 Berkshire, SL1 3YD  
 Ηνωμένο Βασίλειο  
 1-10-2009

## Εγγύηση

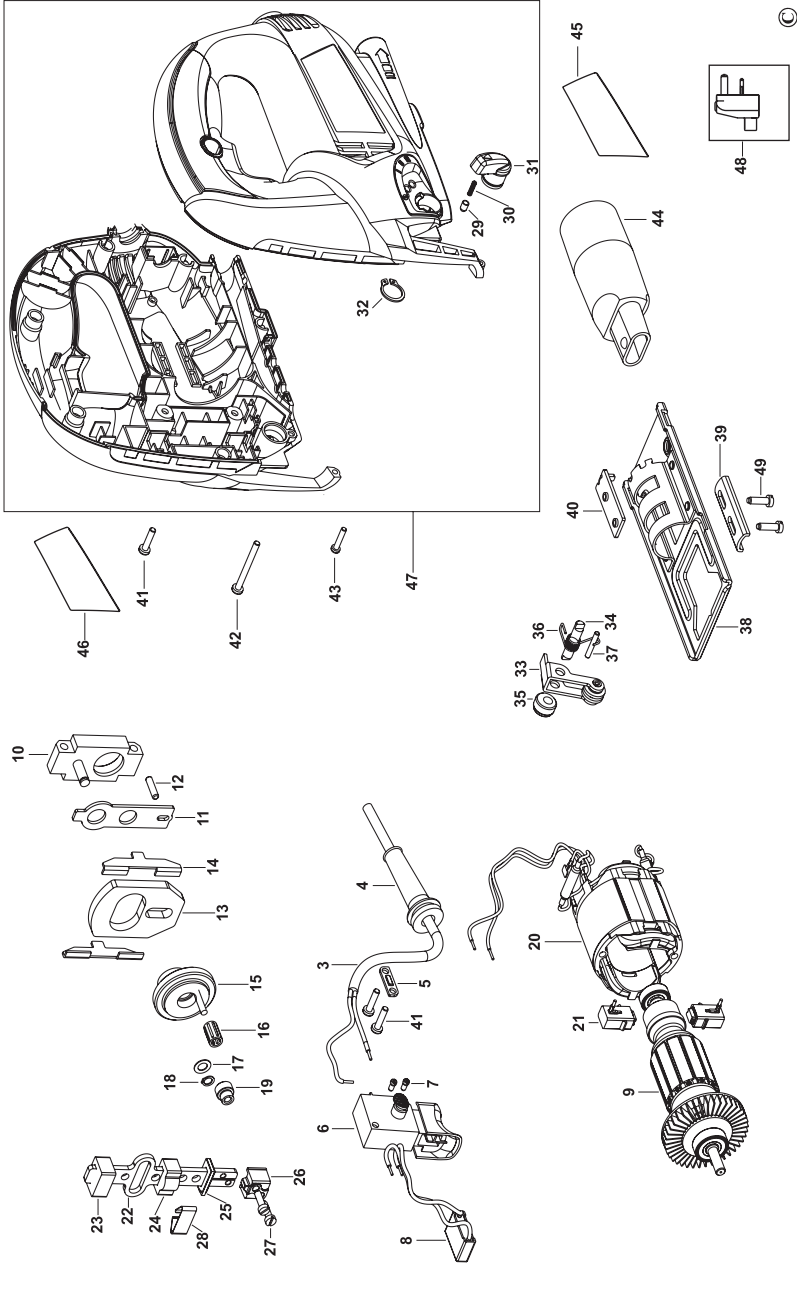
H Black & Decker είναι σίγουρη για την ποιότητα των προϊόντων της και παρέχει σημαντική εγγύηση. Η παρούσα γραπτή εγγύηση αποτελεί πρόσθετο δικαίωμά σας και δεν ζημιώνει τα συνταγματικά σας δικαιώματα. Η εγγύηση ισχύει εντός της επικράτειας των Κρατών Μελών της Ευρωπαϊκής Ένωσης και της Ευρωπαϊκής Ζώνης Ελευθέρων Συναλλαγών.

Σε περίπτωση που κάποιο προϊόν της Black & Decker παρουσιάσει βλάβη εξαιτίας ελαττωματικών υλικών, ποιότητας εργασίας ή έλλειψης συμφωνίας με τις προδιαγραφές εντός 24 μηνών από την ημερομηνία αγοράς, η Black & Decker εγγυάται την αντικατάσταση των ελαττωματικών τμημάτων, την επισκευή προϊόντων που έχουν υποστεί εύλογη φθορά λόγω χρήσης ή την αντικατάσταση των προϊόντων προκειμένου να εξασφαλίσει την ελάχιστη ενόχληση στους πελάτες της, εκτός αν:

- ◆ Το προϊόν έχει χρησιμοποιηθεί σε εργασιακό, επαγγελματικό περιβάλλον ή αν έχει εννοικιαστεί
- ◆ Έχει γίνει εσφαλμένη χρήση του προϊόντος ή αν έχει παραμεληθεί
- ◆ Το προϊόν έχει υποστεί βλάβη από άλλα αντικείμενα, από ουσίες ή λόγω ατυχήματος
- ◆ Έχει γίνει προσπάθεια επισκευής από μη εξουσιοδοτημένα κέντρα επισκευών ή από προσωπικό που δεν ανήκει στο προσωπικό της Black & Decker

Για να ισχύσει η εγγύηση, πρέπει να υποβάλετε απόδειξη αγοράς στον πωλητή ή το εξουσιοδοτημένο κέντρο επισκευών. Ενημερωθείτε για το πλησιέστερο κέντρο επισκευών της περιοχής σας, επικοινωνώντας με τα γραφεία της Black & Decker στη διεύθυνση που αναγράφεται στο εγχειρίδιο. Επίσης, για να πληροφορηθείτε για τα εξουσιοδοτημένα κέντρα επισκευών της Black & Decker, τις λεπτομέρειες και τους αρμόδιους των υπηρεσιών που παρέχονται μετά την πώληση, μπορείτε να ανατρέξετε στο Διαδίκτυο στη διεύθυνση: [www.2helpU.com](http://www.2helpU.com)

Παρακαλούμε να επισκεφτείτε την ιστοσελίδα μας [www.blackanddecker.eu](http://www.blackanddecker.eu) για να καταχωρήσετε το νέο σας προϊόν Black & Decker και για να ενημερώνεστε για τα νέα προϊόντα και τις ειδικές προσφορές. Περισσότερες πληροφορίες σχετικά με τη μάρκα Black & Decker και τη σειρά προϊόντων μας θα βρείτε στη διεύθυνση [www.blackanddecker.eu](http://www.blackanddecker.eu)









ENGLISH

**Do not forget to register your product!**

[www.blackanddecker.co.uk/productregistration](http://www.blackanddecker.co.uk/productregistration)

Register your product online at [www.blackanddecker.co.uk/productregistration](http://www.blackanddecker.co.uk/productregistration) or send your name, surname and product code to Black & Decker in your country.

DEUTSCH

**Vergessen Sie nicht, Ihr Produkt registrieren zu lassen!**

[www.blackanddecker.de/productregistration](http://www.blackanddecker.de/productregistration)

Lassen Sie Ihr Produkt unter [www.blackanddecker.de/productregistration](http://www.blackanddecker.de/productregistration) online registrieren oder schicken Sie Ihren Nachnamen, Vornamen und den Produktcode an Black & Decker in Ihrem Land.

FRANÇAIS

**N'oubliez pas d'enregistrer votre produit !**

[www.blackanddecker.fr/productregistration](http://www.blackanddecker.fr/productregistration)

Enregistrez votre produit en ligne sur [www.blackanddecker.fr/productregistration](http://www.blackanddecker.fr/productregistration) ou envoyez vos nom, prénom et code produit à Black & Decker dans votre pays.

ITALIANO

**Non dimenticate di registrare il prodotto!**

[www.blackanddecker.it/productregistration](http://www.blackanddecker.it/productregistration)

Registrate il prodotto online su [www.blackanddecker.it/productregistration](http://www.blackanddecker.it/productregistration) o inviate nome, cognome e codice del prodotto al centro Black & Decker del vostro paese.

NEDERLANDS

**Vergeet niet uw product te registreren!**

[www.blackanddecker.nl/productregistration](http://www.blackanddecker.nl/productregistration)

U kunt uw product online registreren op [www.blackanddecker.nl/productregistration](http://www.blackanddecker.nl/productregistration) of u kunt uw voornaam, achternaam en productcode opsturen naar Black & Decker in uw land.

ESPAÑOL

**¡No olvide registrar su producto!**

[www.blackanddecker.es/productregistration](http://www.blackanddecker.es/productregistration)

Registre su producto on-line en [www.blackanddecker.es/productregistration](http://www.blackanddecker.es/productregistration) o envíe su nombre, apellidos y código de producto a Black & Decker en su país.

## PORTUGUÊS

### Não se esqueça de registar o seu produto!

[www.blackanddecker.pt/productregistration](http://www.blackanddecker.pt/productregistration)

Registe o seu produto online em [www.blackanddecker.pt/productregistration](http://www.blackanddecker.pt/productregistration) ou envie o seu nome, apelido e código do produto para a Black & Decker no seu país.

## SVENSKA

### Glöm inte att registrera produkten!

[www.blackanddecker.se/productregistration](http://www.blackanddecker.se/productregistration)

Registrera produkten online på [www.blackanddecker.se/productregistration](http://www.blackanddecker.se/productregistration) eller skicka namn och produktkod till Black & Decker i landet du bor i.

## NORSK

### Ikke glem å registrere produktet ditt!

[www.blackanddecker.no/productregistration](http://www.blackanddecker.no/productregistration)

Registrer produktet ditt online på [www.blackanddecker.no/productregistration](http://www.blackanddecker.no/productregistration), eller send ditt navn, etternavn og produktkode til Black & Decker i ditt eget land.

## DANSK

### Glem ikke at registrere dit produkt!

[www.blackanddecker.dk/productregistration](http://www.blackanddecker.dk/productregistration)

Registrer dit produkt på internettet på: [www.blackanddecker.dk/productregistration](http://www.blackanddecker.dk/productregistration) eller send dit navn, efternavn og produktkode til Black & Decker i dit eget land.

## SUOMI

### Muistathan rekisteröidä tuotteesi!

[www.blackanddecker.fi/productregistration](http://www.blackanddecker.fi/productregistration)

Rekisteröi tuotteesi verkossa osoitteessa [www.blackanddecker.fi/productregistration](http://www.blackanddecker.fi/productregistration) tai lähetä etunimesi, sukunimesi ja tuotekoodi oman maasi Black & Decker -edustajalle.

## ΕΛΛΗΝΙΚΑ

### Μην ξεχάσετε να καταχωρίσετε το προϊόν σας!

[www.blackanddecker.gr/productregistration](http://www.blackanddecker.gr/productregistration)

Καταχωρίστε το προϊόν σας σε σύνδεση στη σελίδα [www.blackanddecker.gr/productregistration](http://www.blackanddecker.gr/productregistration) ή στείλτε το όνομα, επίθετο σας και τον κωδικό προιωντός στη Black & Decker στη χώρα σας.

<b>België/Belgique</b>	Black & Decker (Belgium) N.V. Nieuwlandlaan 7 I.Z. Aarschot B156 3200 Aarschot	Tel. Fax	016 68 91 00 016 68 91 11
<b>Danmark</b>	Black & Decker Sluseholmen 2-4, 2450 København SV Internet: <a href="http://www.blackanddecker.dk">www.blackanddecker.dk</a>	Tel. Fax	70 20 15 10 70 22 49 10
<b>Deutschland</b>	Black & Decker GmbH Black & Decker Str. 40, D - 65510 Idstein	Tel. Fax	06126/21 - 0 06126/21 29 80
<b>Ελλάδα</b>	Black & Decker (Ελλάς) Α.Ε. Σπύρβωνος 7 & Λεωφ. Βουλιαγμένης 159 166 74 Γλυφάδα - Αθήνα	Τηλ. Φαξ <a href="http://www.blackanddecker.eu">www.blackanddecker.eu</a>	210 8981616 210 8983285
<b>España</b>	Black & Decker Ibérica, S.C.A. Parc de Negocis "Mas Blau" Edificio Muntadas, c/Bergadá, 1, Of. A6 08820 El Prat de Llobregat (Barcelona)	Tel. Fax	934 797 400 934 797 419
<b>France</b>	Black & Decker (France) S.A.S. 5 allée des Hêtres B.P. 30084 69579 Limonest Cédex	Tel. Fax	04 72 20 39 20 04 72 20 39 00
<b>Helvetia</b>	ROFO AG Gewerbezone Seeblick 3213 Kleinbödingen	Tel. Fax	026-6749391 026-6749394
<b>Italia</b>	Black & Decker Italia SpA Viale Elvezia 2 20052 Monza (MI)	Tel. Fax Numero verde	039-23871 039-2387592/2387594 800-213935
<b>Nederland</b>	Black & Decker Benelux Joulehof 12, 4622 RG Bergen op Zoom	Tel. Fax	0164 - 283000 0164 - 283100
<b>Norge</b>	Black & Decker (Norge) A/S Postboks 4814, Nydalen, 0422 Oslo Internet: <a href="http://www.blackanddecker.no">www.blackanddecker.no</a>	Tlf. Fax	22 90 99 00 22 90 99 01
<b>Österreich</b>	Black & Decker Vertriebsges.m.b.H Oberlaaerstraße 246, A1100 Wien	Tel. Fax	01 66116-0 01 66116-14
<b>Portugal</b>	Black & Decker Rua Egas Moniz 173 S. João do Estoril 2766-651 Estoril	Tel. Fax	214667500 214667580
<b>Suomi</b>	Black & Decker Oy Keilasatama 3, 02150 Espoo Black & Decker Oy, Kägelhamnen 3, 02150 Esbo	Puh. Faksi Tel. Fax	010 400 430 (09) 2510 7100 010 400 430 (09) 2510 7100
<b>Sverige</b>	Black & Decker AB Box 94, 431 22 Mölndal	Tel. Fax	031-68 60 60 031-68 60 80
<b>United Kingdom</b>	Black & Decker 210 Bath Road Slough, Berkshire SL1 3YD	Tel. Fax Helpline	01753 511234 01753 551155 01753 574277
<b>Middle East &amp; Africa</b>	Black & Decker (Overseas) A.G. PB 5420, Dubai, United Arab Emirates	Tel. Fax	+971 4 2826464 +971 4 2826466